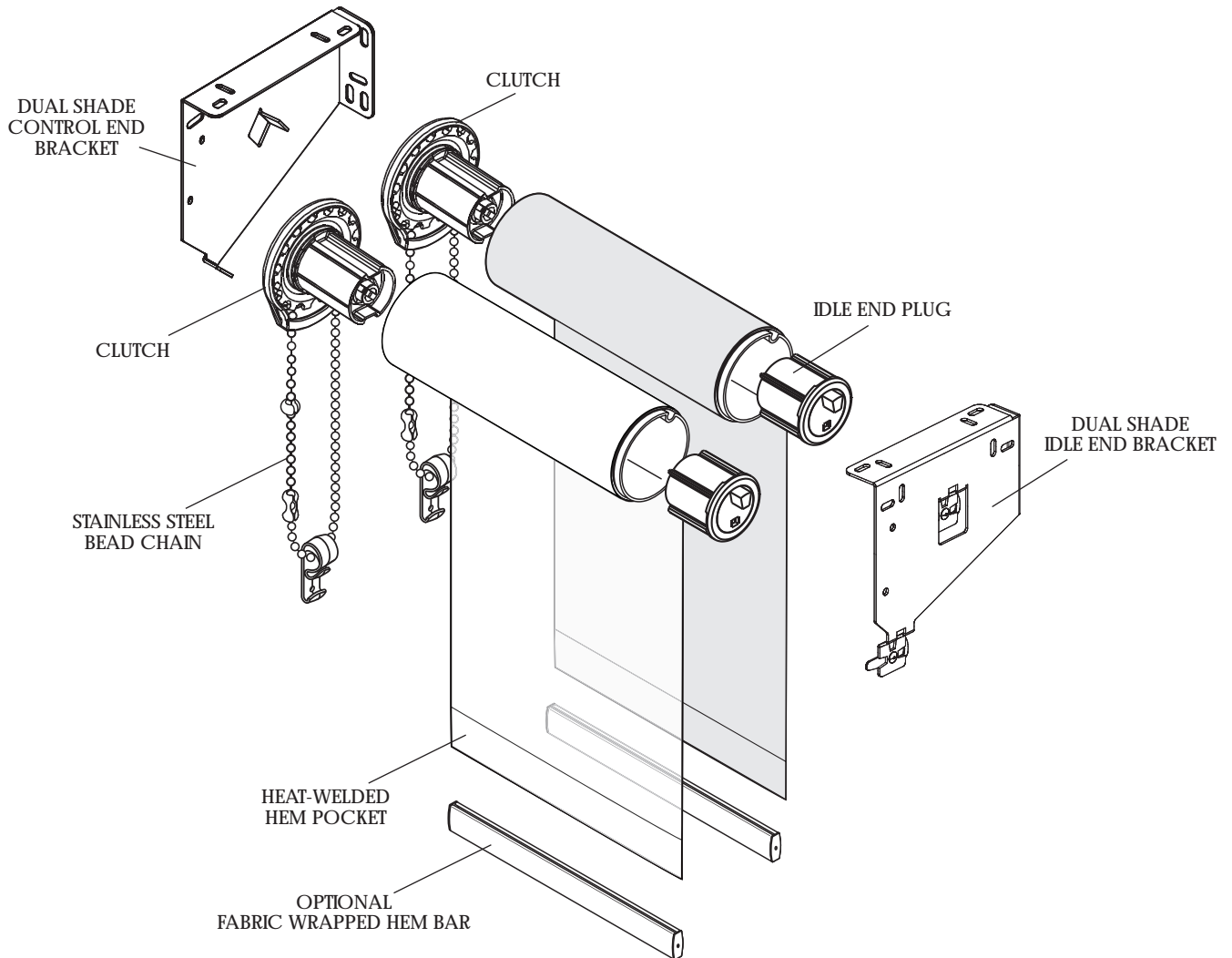


Data Sheet DUAL SHADE SYSTEM



- Allows for two shades to be installed onto one bracket system utilizing both blackout and mesh fabrics.
- Each shade is controlled by it's own clutch system and bead chain. Available with both R16 or R24 clutches.
- Roller tube is extruded aluminum engineered with a channel to accept fabric spline making the shade panel easy to remove.
- Hem bar is extruded aluminum and completely enclosed in a heat-welded hem pocket. Optional fabric wrapped hem bar.
- Optional 7.5" x 8" sheet metal pocket. Available in white, clear anodized and bronze anodized.
- Optional lift assist reduces pull force allowing easy lifting of larger shades.