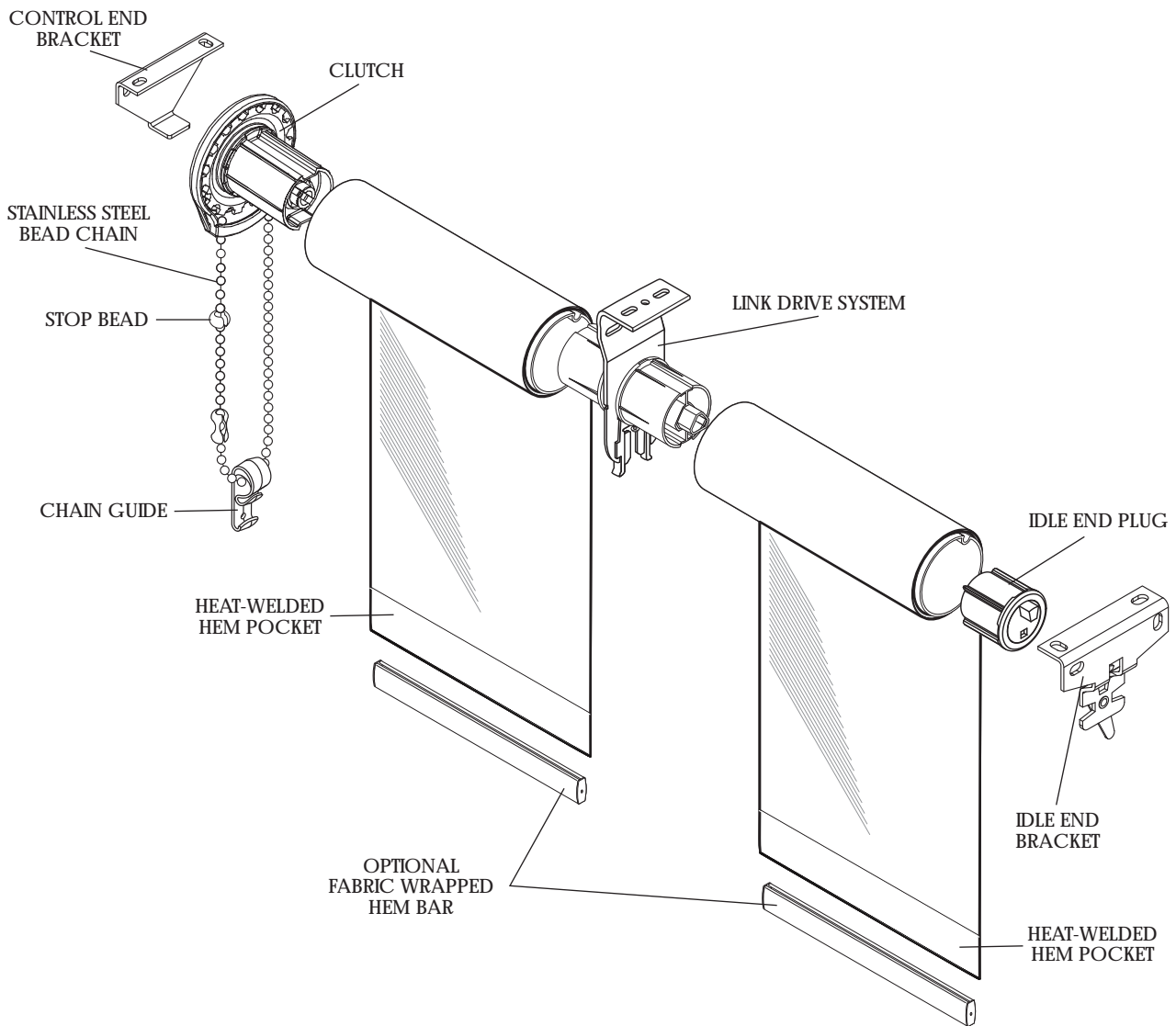


Data Sheet COUPLED SHADES



- Two or more individual shades can be connected and operated by a single clutch mechanism. Available with R16 and R24 clutch systems.
- Unique design allows easy snap-in installation.
- Adjustable leveling screw allows for precise leveling of shades.
- The number of shade bands is based on shade size and fabric selection.
- Optional lift assist reduces pull force allowing easy lifting of larger shades.