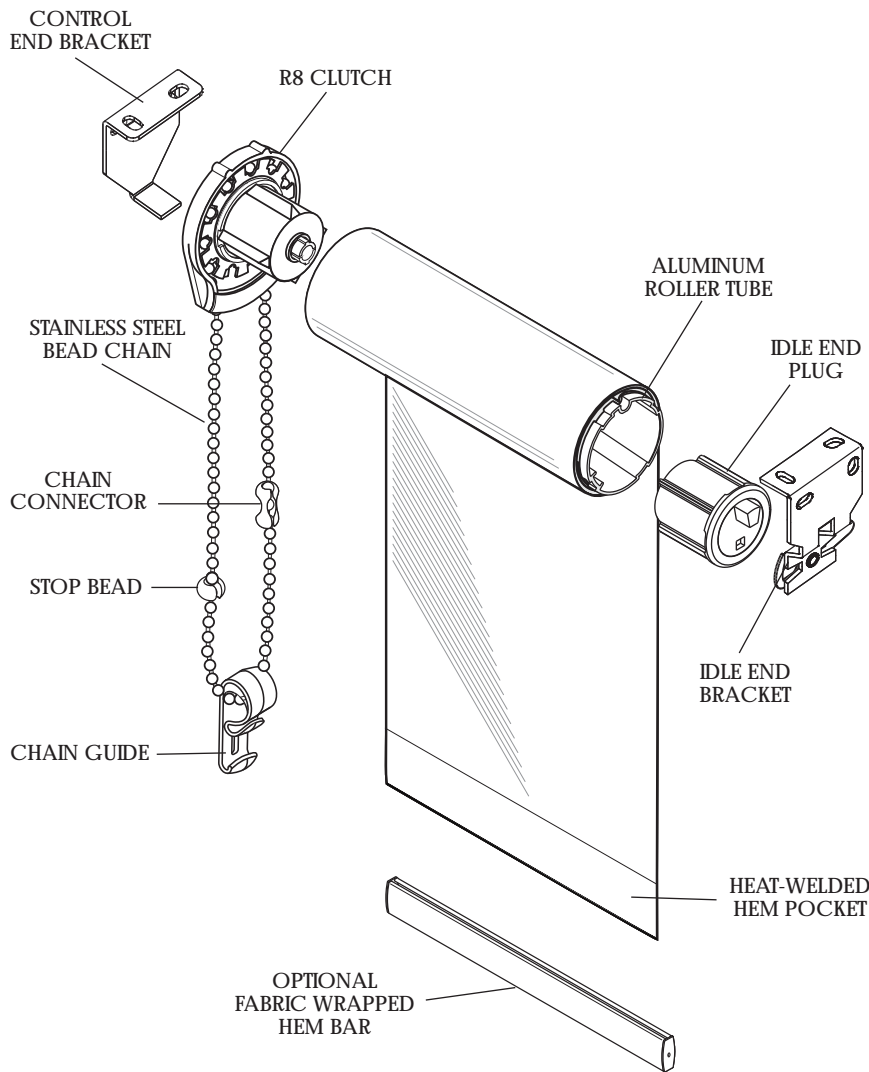
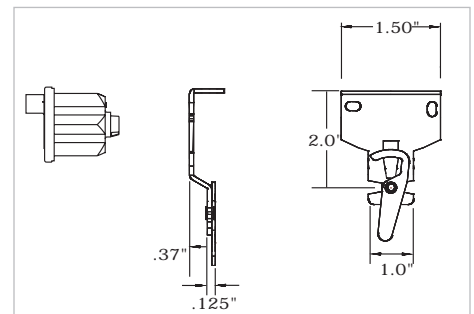
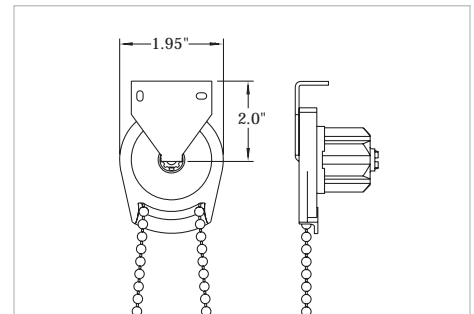
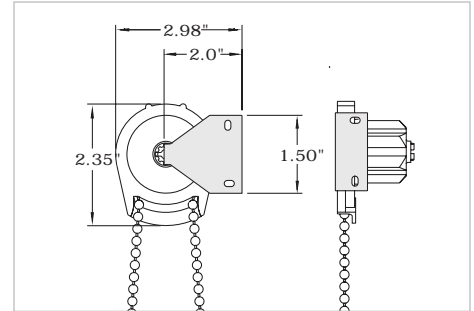


Data Sheet R8 MANUAL SHADE



Component Dimensions



- R8 clutch system is designed to lift shades weighing up to eight pounds.
- Shades are raised and lowered by means of a #10 stainless steel bead chain.
- Roller tube is extruded aluminum engineered with a channel to accept fabric spline making the shade panel easy to remove.
- Hem bar is extruded aluminum and completely enclosed in a heat-welded hem pocket. Optional fabric wrapped hem bar.
- Edge gap is 9/16" on the clutch end and 9/16" on the idler end.