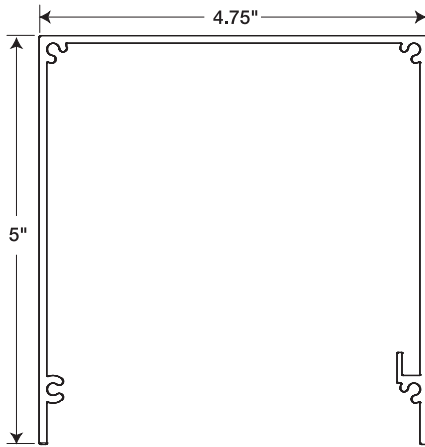
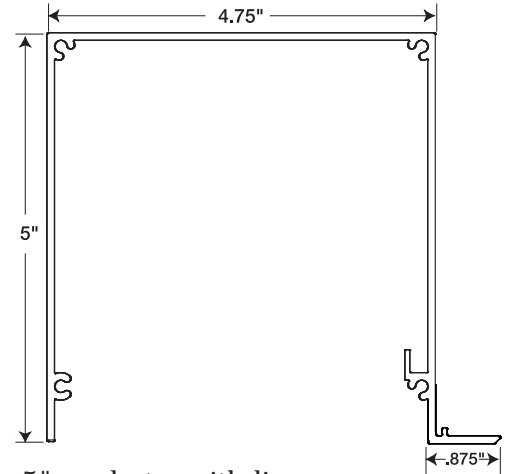


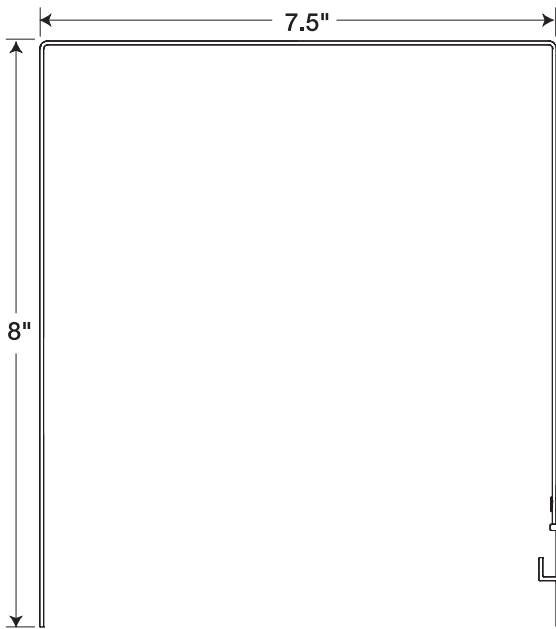
Data Sheet POCKET



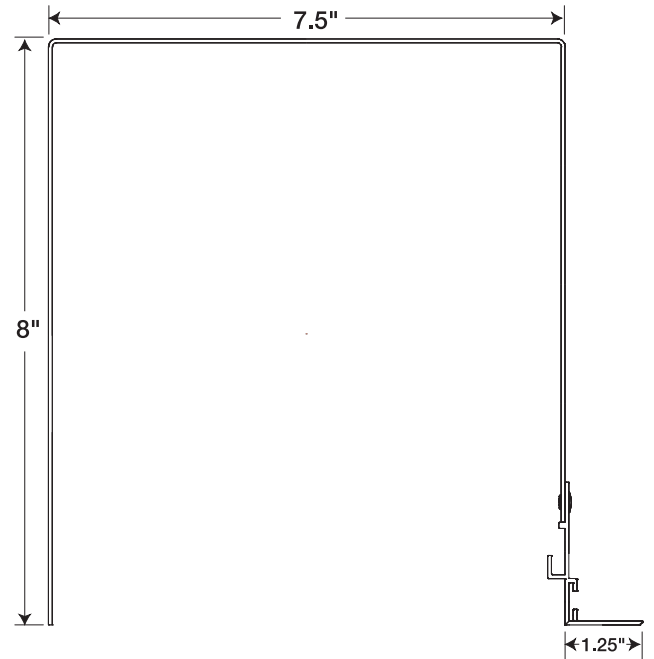
4.75" x 5" pocket - no lip



4.75" x 5" pocket - with lip



7.5" x 8" pocket - no lip



7.5" x 8" pocket - with lip

- 4.75" x 5" pocket is extruded aluminum with a white powder-coated, clear anodized or bronze anodized (special order) finish.
  - Accommodates R8, R16 and R24 manual shades and standard 60mm motorized shades.
  - Maximum roll diameter is 4".
  - 15' 2" maximum width or cut to size.
  - Optional 2" or 3" closure plates available.
  
- 7.5" x 8" dual shade pocket is steel with white powder-coated finish.
  - Accommodates motorized 80mm, motorized 130mm, and dual shade system.
  - Maximum roll diameter is 3.75" for dual shade system and 6.75" for motorized system.
  - 10' maximum stocked size.
  - Closure mount attached with or without lip riveted to pocket.
  - Optional 3" or 5" closure plates available.