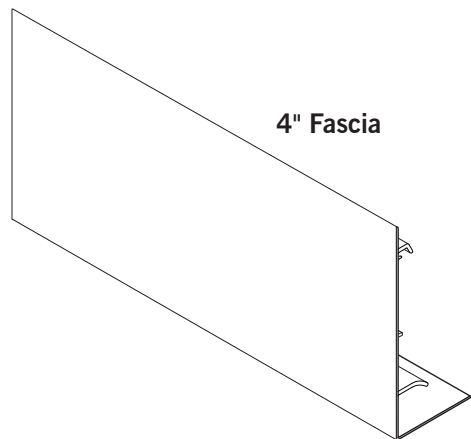
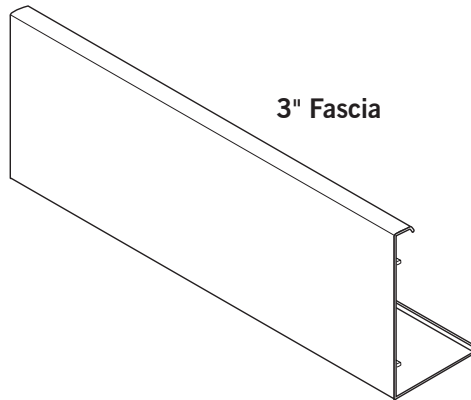
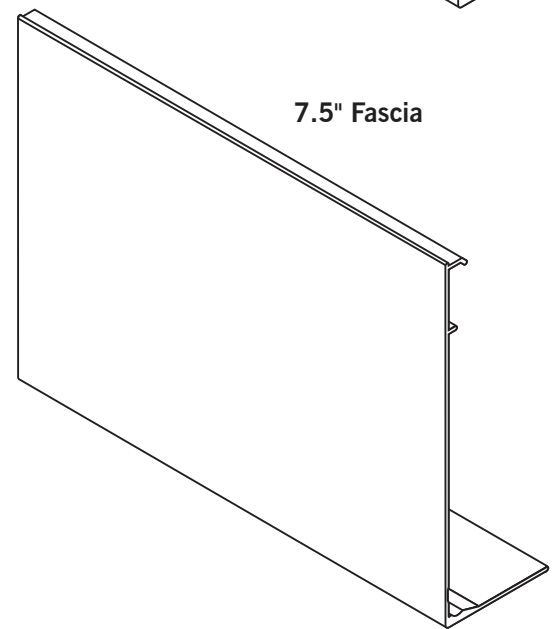
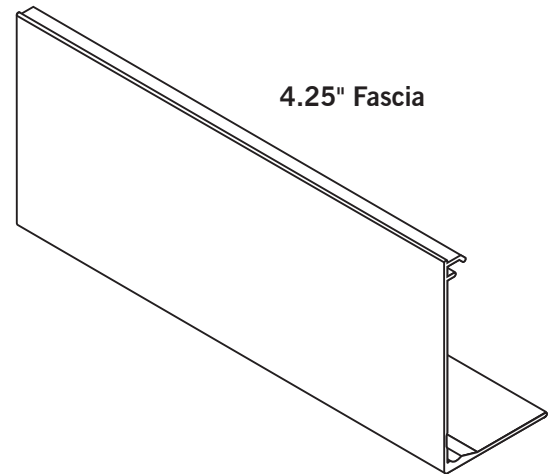


DATA SHEET FASCIA

Fascia for Manual Shades



Fascia for Motorized Shades



- Fascia for Manual Shades
 - 3" fascia is notchless and measures 3.395" high with 1.5" bottom lip and snaps onto a small fascia bracket.
 - 4" fascia is notchless and measures 3.75" high with 1.25" bottom lip and snaps onto large fascia bracket. Notches are required with SL30 clutch. Inside mount notches are $1\frac{1}{16}" \times 1\frac{17}{32}"$. Outside mount notches are $\frac{3}{4}" \times 1\frac{17}{32}"$.
 - Back fascia is available. Notches are $\frac{13}{16}"$ for 3" manual shade and $1\frac{1}{8}"$ for 4" manual shade.
- Fascia for Motorized Shades
 - 4.25" motorized shade fascia has a $2\frac{1}{4}"$ bottom lip and snaps onto standard bracket.
 - 7.5" motorized shade fascia has a $2\frac{1}{4}"$ bottom lip and snaps onto dual shade fascia bracket and extended bracket.
- Optional color coordinated fascia end caps available for outside mount.
- Available in white, vanilla, clear satin anodized, bronze satin anodized, or black.