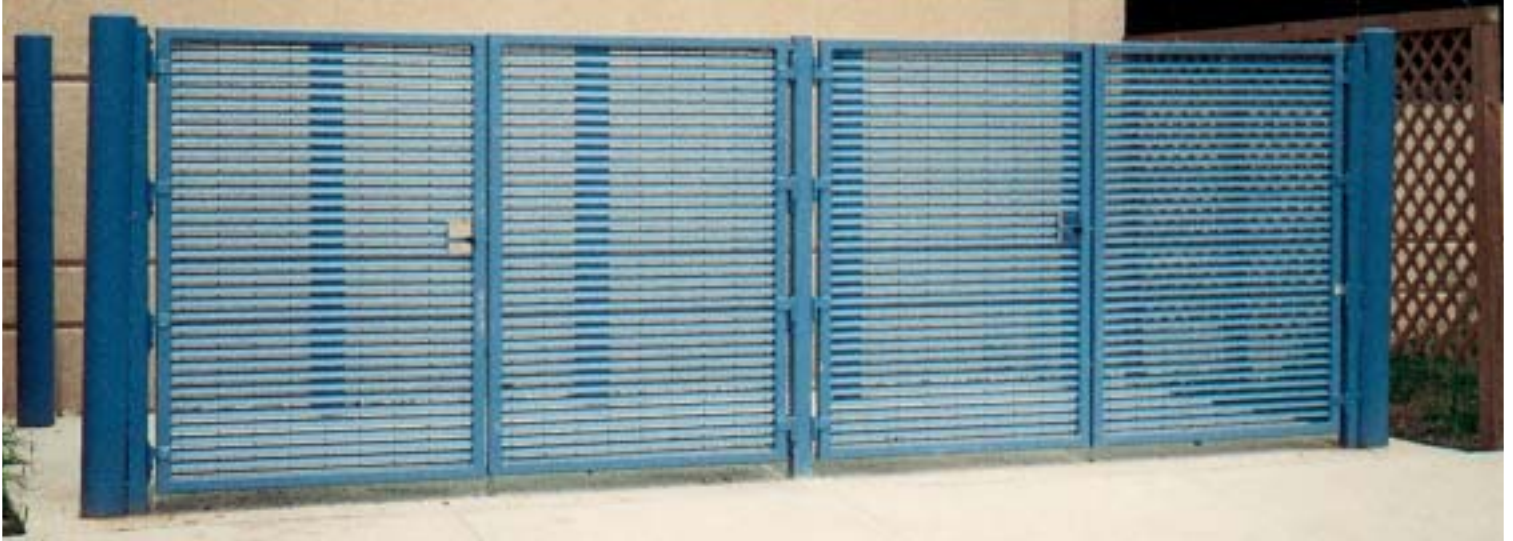





32 31 00/AMO
BuyLine 5468

GATE SYSTEMS



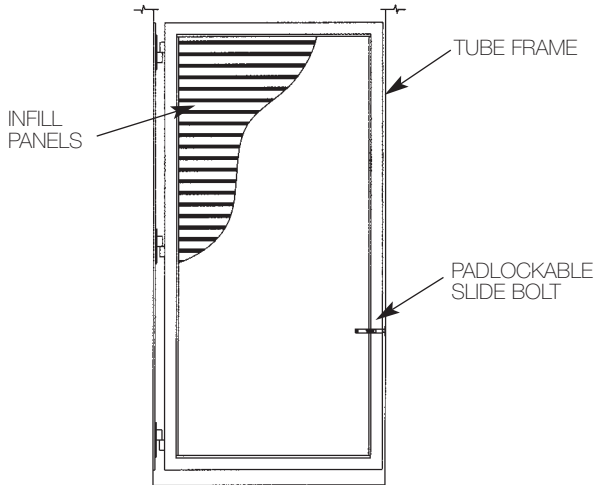
 American Fence Association

Visit our Web Site www.ametco.com
for Master Spec • CAD Drawings • Photo Gallery

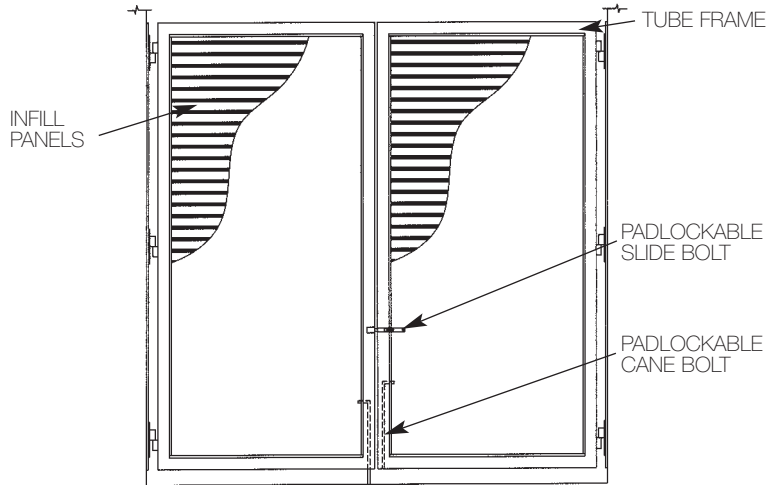


SWING GATES

SINGLE SWING GATE

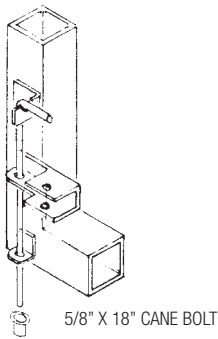


DOUBLE SWING GATE



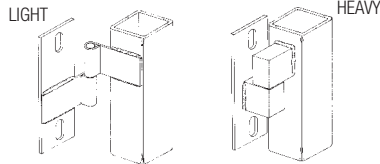
SWING GATE HARDWARE

PADLOCKABLE CANE BOLT



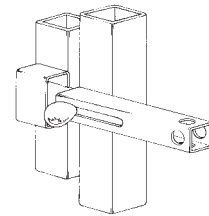
HINGE

FEMALE HINGE HALF IS SHOP WELDED TO GATE FRAME
MALE HINGE HALF IS FIELD BOLTED TO POST



LIGHT GATE—STAINLESS STEEL LEAF HINGE
MEDIUM AND HEAVY GATES—STEEL HINGE WITH
STAINLESS PIN & CHROME BALL BEARING

PADLOCKABLE SLIDE BOLT



3/4" ROUND SLIDE BOLT

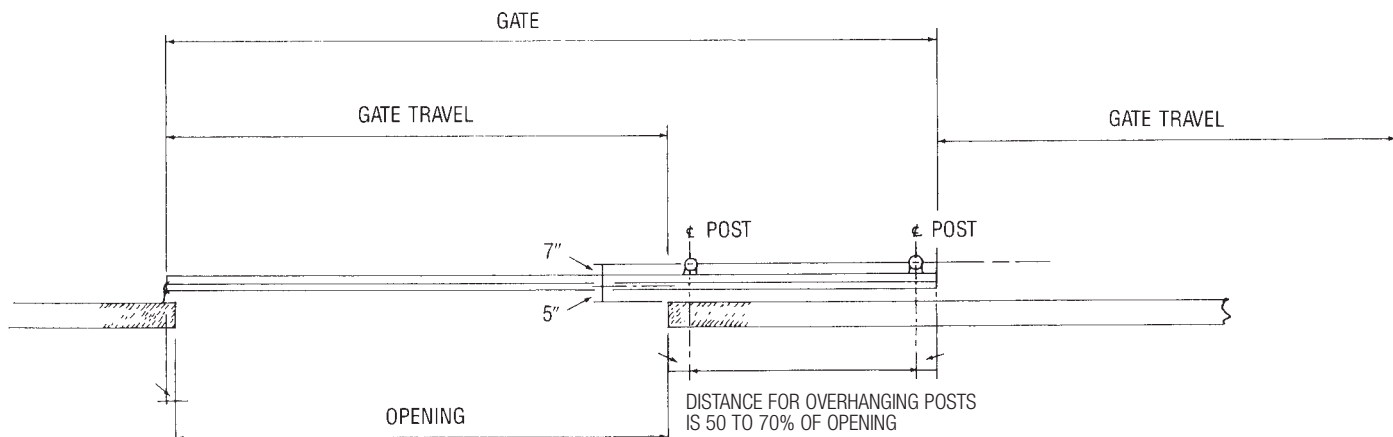


Visit our Web Site www.ametco.com
for Master Spec • CAD Drawings • Photo Gallery

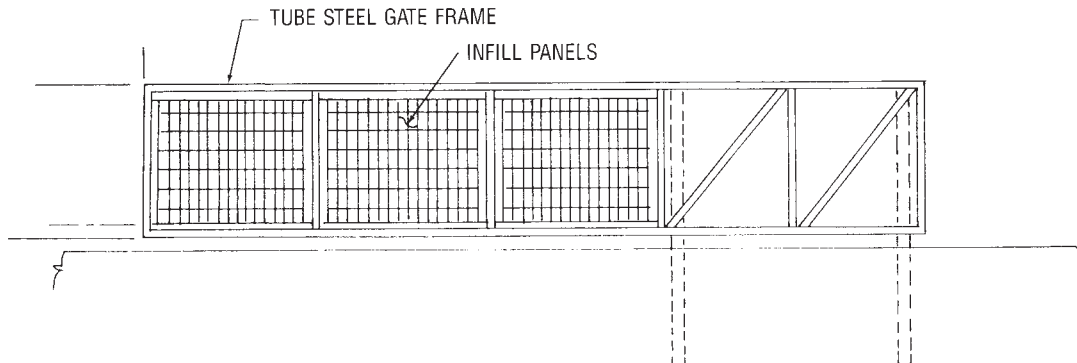


CANTILEVER GATES

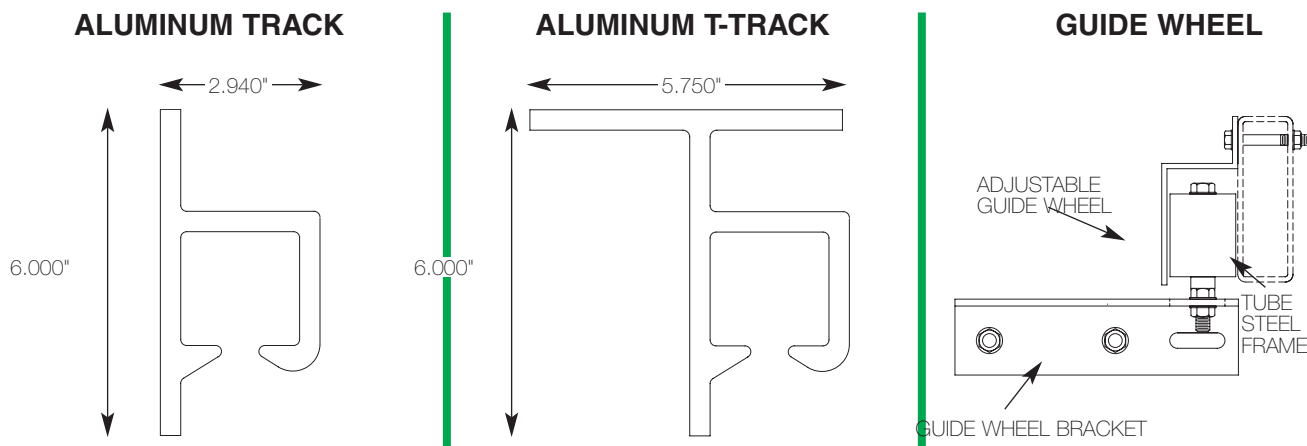
CANTILEVER GATE TOP VIEW



CANTILEVER GATE ELEVATION VIEW



CANTILEVER GATE HARDWARE

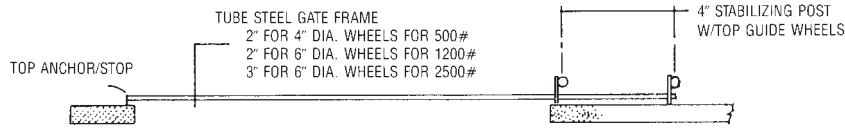


Visit our Web Site www.ametco.com
for Master Spec • CAD Drawings • Photo Gallery

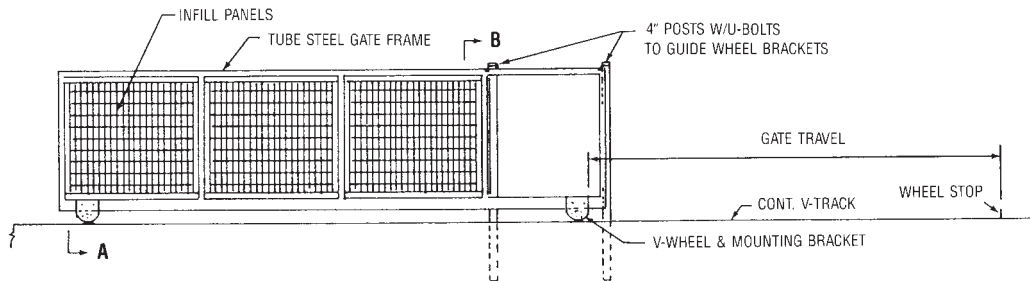


V-WHEEL ROLLER GATE

V-WHEEL ROLLER GATE TOP VIEW

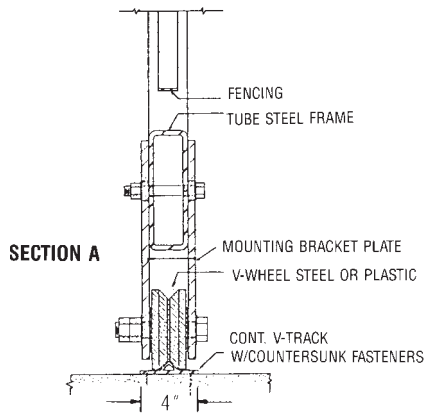


V-WHEEL ROLLER GATE ELEVATION VIEW

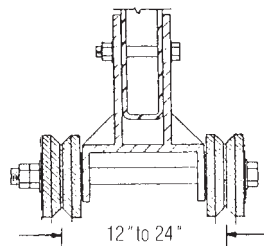


V-WHEEL ROLLER GATE HARDWARE

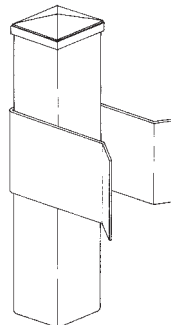
V-WHEEL ROLLER GATE – ELEVATION



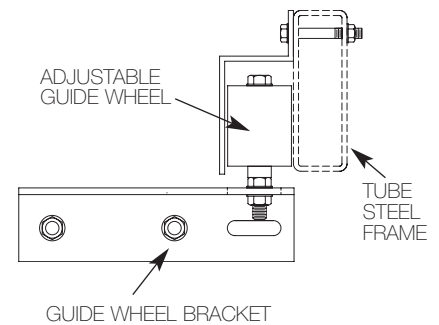
DUAL WHEEL OPTION



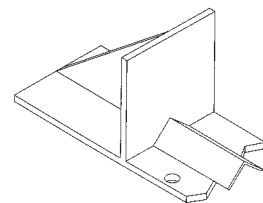
CLOSE GATE POST WITH GUIDE



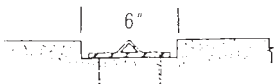
GUIDE WHEEL



WHEEL STOP



RECESSED TRACK OPTION



Visit our Web Site www.ametco.com
 for Master Spec • CAD Drawings • Photo Gallery



4326 Hamann Parkway
 P.O. Box 1210
 Willoughby, Ohio 44096
 Web Site www.ametco.com

Phone (440) 951-4300
 Fax (440) 951-2542
 Toll Free 800-362-1360
 E-Mail ametco@ametco.com