

Wabo®TransFlex

Molded Rubber Segmental Expansion Joint System

Features	Benefits
<ul style="list-style-type: none"> Minimal open surface 	Prevents accumulation of debris, ice and incompressible items. Provides a smooth riding surface.
<ul style="list-style-type: none"> Versatility 	Combines the strength of steel and the flexibility of elastomer rubber.
<ul style="list-style-type: none"> Durability 	Steel reinforced elastomer provides a durable surface under traffic and adjusts readily to structural movement.



DESCRIPTION:

Wabo®TransFlex is the original-reinforced elastomeric molded rubber expansion joint system. All sections feature tongue and groove fittings for tight end-to-end mating across decks and at curbs and are steel reinforced. It can be installed in new decks, or in older structures on rehabilitation projects. All models adapt readily to skew angles. Properly installed, the Wabo®TransFlex system will accommodate anticipated thermal movements reject debris and create a level, smooth-riding, wear-resistant surface.

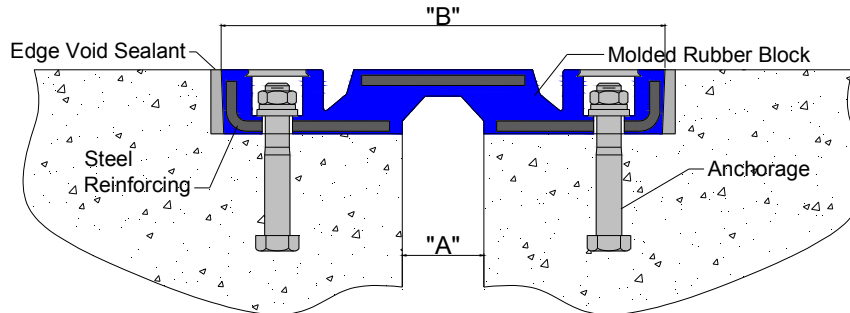
RECOMMENDED FOR:

- Low height joint sealing restrictions
- Bridges, decks and ramps
- Expansion joint applications with maximum movement of 13 inches
- New construction or repair and maintenance of existing joints

PACKAGING/COVERAGE:

- Standard 6-foot panel lengths are provided with the exception of Model 1300, which are 4-foot panels.
- NP1 Sealant is an elastomeric compound used to seal the edge voids. Sealant is supplied in 9.8 oz tubes. Sealant coverage will depend on edge void size, placement, waste and experience.
- Bolt hole cavities are typically sealed with plug caps.

TECHNICAL DATA:



Movement Table

Model Number	Molded Dimensions				Joint Opening "A"						System Width "B"			
	Width		Height		Min.		Max.		Total		Min.		Max.	
	in	mm	in	mm	in	mm	in	mm	in	mm	in	mm	in	mm
200A	10.875	276	1.563	40	1.000	25	3.000	77	2.0	51	9.875	251	11.875	303
250	14.000	356	1.813	46	1.250	32	3.750	95	2.5	64	12.750	324	15.250	387
400A	23.250	591	2.125	54	2.000	51	6.000	152	4.0	102	21.250	540	25.250	641
650	28.500	724	3.000	76	1.500	38	8.000	203	6.5	165	25.250	641	31.750	806
900	35.375	899	3.750	95	1.750	44	10.750	273	9.0	229	30.875	784	39.875	1013
1300	47.500	1207	5.000	127	2.000	51	15.000	381	13.0	330	41.000	1041	54.000	1372

Consult your WBA Representative with your special design requirements

Physical Properties

The steel angles imbedded in the molded neoprene panels are formed of ASTM A36 steel. The neoprene block rubber shall have the physical properties conforming to the following requirements:

PHYSICAL PROPERTY	ASTM TEST METHOD	REQUIREMENTS
Tensile Strength, min	D 412	1,800 psi
Elongation at Break, min	D 412	400%
Hardness, Shore A	D 2240	45 +/- 5
Compression Set, 22 hrs@158F	D 395	20%
Oil Swell, 70 hrs. @212°F(100°C)	D 471	120%
Ozone Resistance	D 1149	no cracks
Low Temperature Brittleness	D 746	not brittle



APPLICATION:

Installation Summary:

- **Newly placed concrete:** the joint interface must be dry and clean (free of dirt, coatings, rust, grease, oil, and other contaminants), sound and durable. New concrete must be cured (minimum of 14 days).
- **Aged concrete:** loose, contaminated, weak, spalled, deteriorated and/or delaminated concrete must be removed to sound concrete and repaired prior to placement.
- Prepare blockouts to proper dimensions and grades. Care should be taken to ensure all anchors are set at right angles to the bottom of the breakout.
- The joint opening must be abrasive blasted to remove all latencies and contaminants which may cause bonding problems. The joint opening should be blown clean using compressed air (>90psi).
- Install WaboTransFlex units starting at the curb over the applied NP1 Sealant.
- Proceed until reaching the field cut piece. Apply NP1 Sealant to ends of field cut pieces prior to final placement.
- Retourque all anchors approximately one half hour after tightening.
- Fill bolt hole cavity with URA Sealant and voids between Transflex sections and vertical face of breakout with NP1 Sealant.

Related Documents:

- Material Safety Data Sheets
- WaboTransFlex Specification
- WaboTransFlex Sales Drawings
- WaboTransFlex Installation Procedure

For Best Results:

- Install when concrete substrate is clean, sound, dry, and cured (14 day minimum).
- Do not install if the joint's anticipated movement will exceed the system's movement range.
- Do not allow any of the components to freeze prior to installation. Store all components out of direct sunlight in a clean, dry location between 50°F (10°C) and 90°F (32°C). Do not store in high humidity.
- Do not install when surface temperature is less than 40°F (4°C).
- Shelf life of chemical components is approximately 1 year.
- Periodically inspect the applied material and repair localized areas as needed. Consult a Watson Bowman Acme representative for additional information.
- Make certain the most current version of the product data sheet is being used. Please consult the website (www.wbacorp.com) or contact a customer service representative.

Options/Equipment:

- Torque wrench to tighten anchors
- Pry bar to move or position panel
- Hydraulic ram assembly to adjust system for ambient temperature



LIMITED WARRANTY:

Watson Bowman Acme Corp. warrants that this product conforms to its current applicable specifications. WATSON BOWMAN ACME CORP. MAKES NO OTHER WARRANTY, EXPRESS OR IMPLIED, INCLUDING ANY WARRANTY OF MERCHANTABILITY OR WARRANTY OF FITNESS FOR A PARTICULAR PURPOSE. The sole and exclusive remedy of Purchaser for any claim concerning this product, including, but not limited to, claims alleging breach of warranty, negligence, strict liability or otherwise, is the replacement of product or refund of the purchase price, at the sole option of Watson Bowman Acme Corp. Any claims concerning this product shall be submitted in writing within one year of the delivery date of this product to Purchaser and any claims not presented within that period are waived by Purchaser. IN NO EVENT SHALL WATSON BOWMAN ACME CORP. BE LIABLE FOR ANY SPECIAL, INCIDENTAL, CONSEQUENTIAL (INCLUDES LOSS OF PROFITS) OR PUNITIVE DAMAGES. Other warranties may be available when the product is installed by a factory trained installer. Contact your local Watson Bowman Acme representative for details. The data expressed herein is true and accurate to the best of our knowledge at the time published; it is, however, subject to change without notice.

Contact

*Watson Bowman Acme Corp. 95 Pineview Drive, Amherst, NY 14228
phone: 716-691-7566 / fax: 716-691-9239 / web site: <http://www.wbacorp.com>*

WaboTransflex_0208