



WODF-3 Series Outdoor Drinking Fountain

Standard Features

- * A.D.A. and Child compliant
- * Standard heavy duty type 304 stainless steel 10" sched. 10 main column and 7 ga. flange
- * Optional marine-grade type 316 stainless steel for installations near salt water
- * High polished stainless steel bowl
- * Solid stainless steel, anti-rotation bubbler
- * Serviceable mesh strainer on inlet water supply
- * Heavy-duty main column access panel
- * Resistant to sunlight, heat and vandalism
- * Stainless Steel Adjustable Pushbutton

Recommended Specifications

Model **WODF-3** outdoor drinking fountain is a triple-level, vandal resistant drinking fountain with a 304 stainless steel 10" sched. 10 body column and 7 ga. flange.

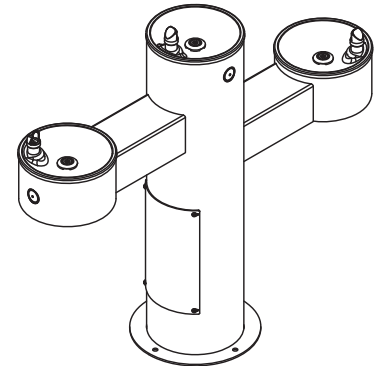
Fountain shall have high-polished, 18 gauge stainless steel bowl with anti-rotation, anti-squirt, solid stainless steel bubblers. Bubblers shall be activated by a pedestal mounted solid stainless steel pushbutton assembly which controls a lead-free, self-closing valve.

Pushbutton operation shall require less than 5 lbs. of force. Adjustable pushbutton used to ensure adequate flow without being wasteful. **WODF-3** fountain shall be lead-free, adhering to ANSI/NSF 61, Section 9, ANSIA117.1 and American Disabilities Act of 2010 requirements.

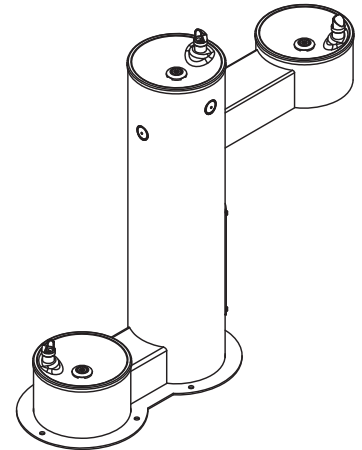
To specify fixture, bowl height, and color, use the Model Number and Options Guide.

Example: To specify a WODF-3 outdoor drinking fountain with adult A.D.A height bowl, pet height bowl, and bare stainless color,

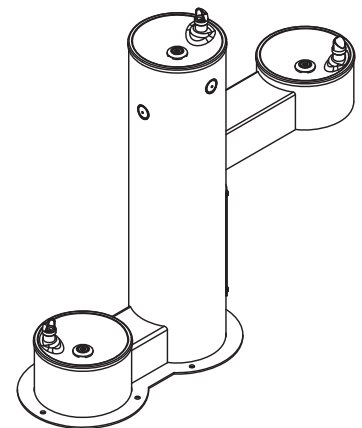
Use the following Willoughby Model Number: WODF-3-HC-PET-S



WODF-3 ADA-CHILD



WODF-3 ADA PET



WODF-3 CHILD-PET



MADE IN THE U.S.A.

visit our website at www.willoughby-ind.com
5105 West 78th Street • Indianapolis, IN 46268
(317) 875-0830 • Fax: (317) 875-0837 • (800) 428-4065

MODEL NUMBER AND OPTIONS:

1.) Outdoor Drinking Fountain Type:

WODF-3 (three-bowl fountain)

2.) Bowl Height (other than main column bowl, select two):

HC Adult A.D.A.

CHD Child

PET Pet

3.) Options:

316-3 316 Stainless Steel Body, Triple

CAR-1 Surface Carrier, Single

CAR-2 Surface Carrier, Double

SOV Shut Off Valve

SCV Seasonal Bowl Cover

FRV-3 Freeze Resistant Valve System, Triple

JF Jug Filler

HBE Hose Bibb Exposed

HBLD Recessed Hose Bibb W/Lock Door

HBLD-SS Recessed Stainless Steel Hose Bibb W/Lock Door

FW Foot Wash

4.) Colors (select one):

S Bare Stainless - Beadblast Finish

G Green

R Red

BL Blue

O Orange

V Violet

Y Yellow

BR Brown

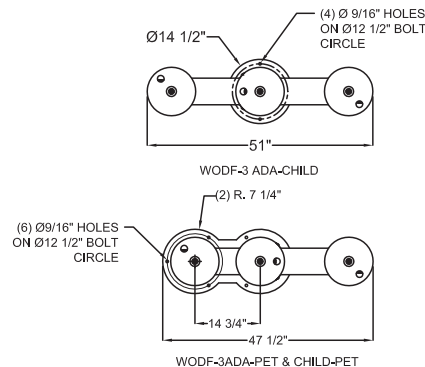
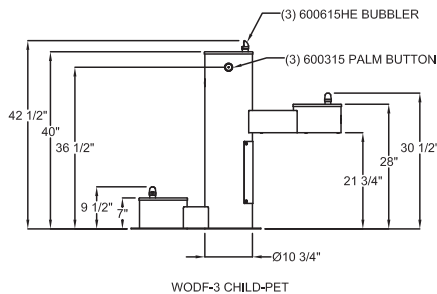
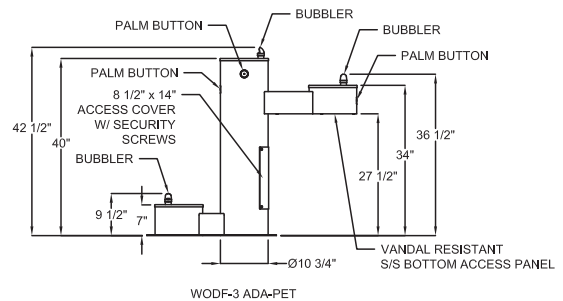
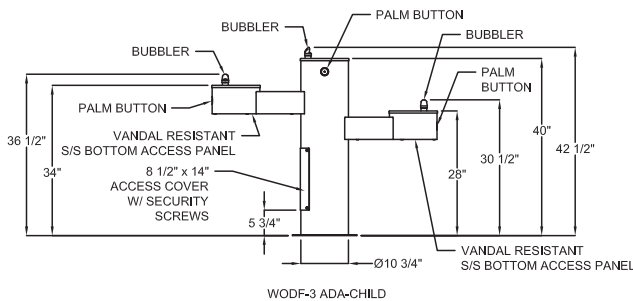
BK Black

BG Beige

W White

Approved For Manufacturing By: _____ Date: _____ Company: _____
 Wall Thickness: _____ Wall Type: _____

VERIFY ALL DIMENSIONS WITH FACTORY PRIOR TO ROUGH-IN
 WILLOUGHBY RESERVES THE RIGHT TO MAKE CHANGES IN DESIGN AND DIMENSIONS WITHOUT FORMAL NOTICE AND WITHOUT INCURRING OBLIGATION.



visit our website at www.willoughby-ind.com
 5105 West 78th Street • Indianapolis, IN 46268
 (317) 875-0830 • Fax: (317) 875-0837 • (800) 428-4065



MADE IN THE U.S.A.