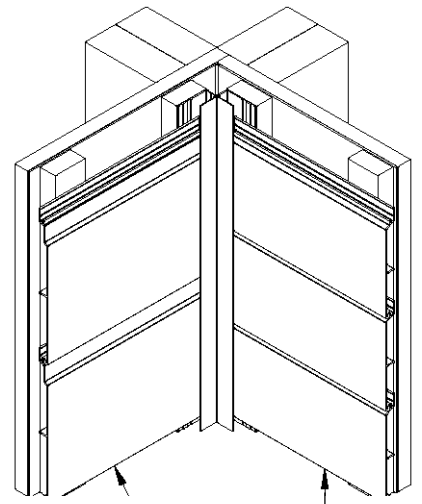
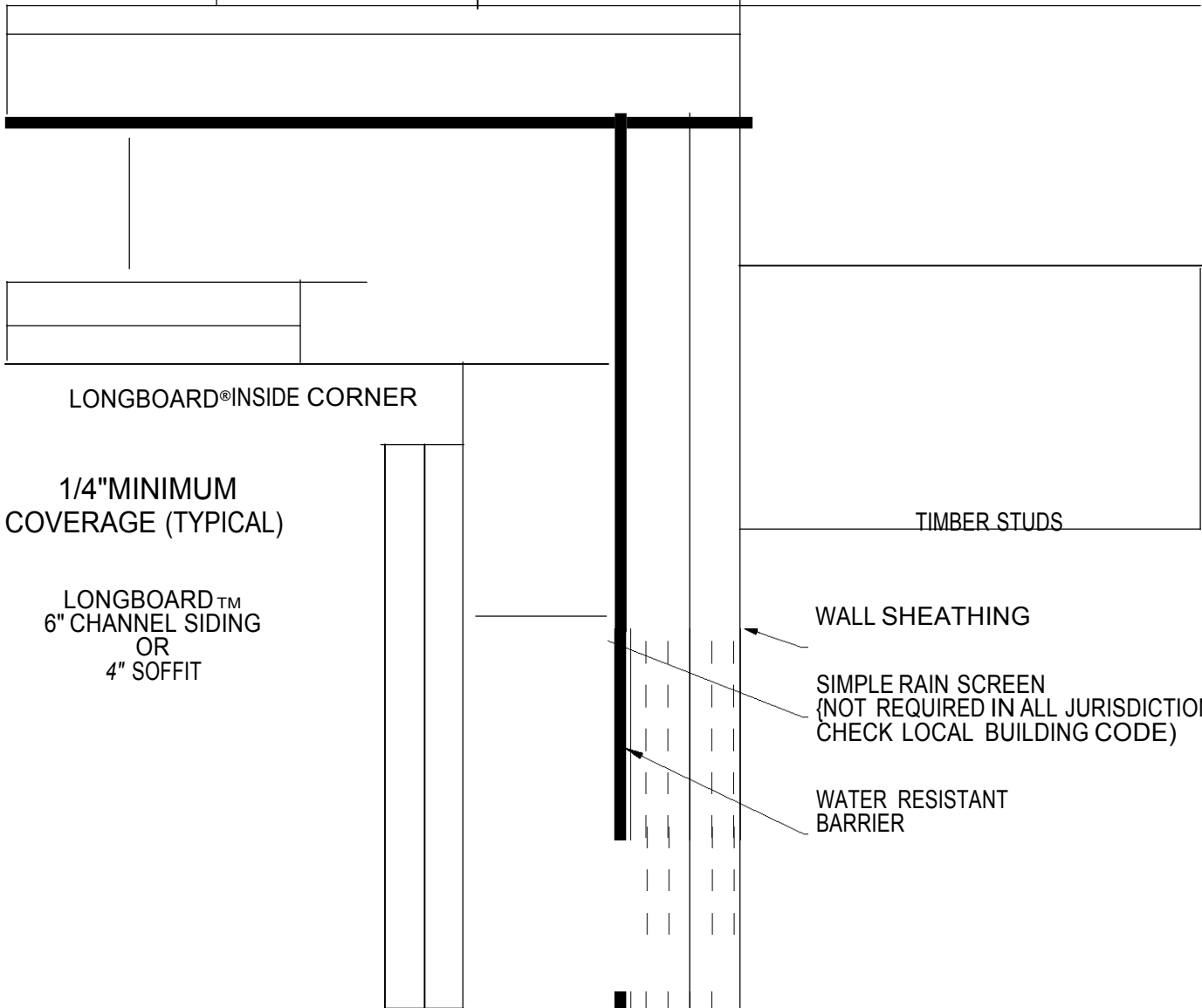


TIMBER STUDS



6" CHANNEL SIDING SHOWN

4" SOFFIT SHOWN



LONGBOARD® INSIDE CORNER

1/4" MINIMUM COVERAGE (TYPICAL)

LONGBOARD™ 6" CHANNEL SIDING OR 4" SOFFIT

TIMBER STUDS

WALL SHEATHING

SIMPLE RAIN SCREEN (NOT REQUIRED IN ALL JURISDICTIONS CHECK LOCAL BUILDING CODE)

WATER RESISTANT BARRIER

**Longboard**<sup>®</sup>  
PREMIUM SOFFIT & SIDING

**INSIDE CORNER DETAIL LONGBOARD® ALUMINUM SIDING**

PIMIUM ARCHICIRIL PRDDI:IS