

**Indoor/Outdoor
Modular Solution
for all Commercial
Applications**

Vega



IN THE FIELD

LED Area Light installations lead the way, providing huge energy savings.

In the field of LED area lighting, The Vega Series has been installed in thousands of parking lots, walkways, pedestrian areas and streets. Being the leader in central lamp arrangement, single pole and double extension, we have applied LED lighting products in many applications maturely and successfully in the international market. The Vega Series has gained customer's trust globally with perfect lighting performance, excellent product quality, powerful R&D strength and professional after-sale service.

SOLID AS CONCRETE

A Vega fixture stands in the snow at a McDonald's in Canton, OH.

SOLID AS CONCRETE

Extreme conditions call for an extreme fixture. The Vega is extreme weather ready no matter which mounting style you choose. With an IP66 rating, you can be confident in your purchase. Utilizing a self-cleaning heatsink design, forget about the birds, forget about the snow and forget about maintenance. On a regular nightly schedule, you will realize 10+ years of maintenance free service. Now it's up to your concrete pour and pole to secure the life of your Vega fixture. The Vega stands strong above the rest.

Vega Housing Features:

- Neat, streamline design
- Patented modular structure to realize power serialization by changing module quantity
- Aerodynamic styling reduces wind loads
- Angle adjustable, flexible with integral and separable installation methods
- Complies with Dark Sky requirements when mounted horizontally to the ground
- Heavy grade die-cast aluminum alloy construction built for extreme weather and durability
- Corrosion resistant polyester powder coat finish with 70-90 micrometer thickness
- Available in standard and custom housing colors
- Easy access power door assembly for quick installation and maintenance
- Open air modular heatsink ventilation design for best possible heat dissipation and optimum efficiency
- High shock and vibration resistance approved - 2G vibration test IEC 60598-1
- Flexible drive allocation options for different regions
- Spaces between modules prevent debris build-up by water-flow self-cleaning

Cost of ownership is very important when considering a LED fixture. When comparing costs, the competition may appear to offer lower pricing, but that's before factoring in their true cost of ownership. Factor in the various charges incurred over the years for maintenance and repairs. With Vivid Leds, you receive a fixture that will stand up to years of abuse and weather. When it comes to peace-of-mind, be assured your Vega has top quality components and a first class finish, at no added expense to you. So when comparing models a competitor's low cost may not be so low after all.

BELOW

A Vega AR stands amongst the trees in a McDonald's parking lot in Canton, OH.



LENS TYPES IN STYLE

TOP QUALITY
High efficacy CREE®
XPG LEDs >85 Lm/W.

BEAM ANGLE

Lens reflector built directly over the LEDs for accurate beam angle and photometrics.

OPTICS

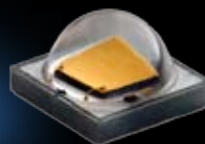
Precise, non-image optics system, improves lumen output ratio with uniform distribution.



Designed with a purpose, the Vega features unprecedented lighting-class brightness, efficacy, lifetime and quality of light. These lighting-class features enable the XPG LED to replace many traditional light sources and save money

with energy-efficient light and long lifetimes. Cree's advantage is in the materials they use. CREE® LEDs combine highly efficient InGaN materials with proprietary G•SIC® substrates to deliver superior price/performance for high-intensity LEDs. Typical features of CREE® LEDs include

XLAMP XP-G



a single wire-bond connection, low forward voltage, exceptional thinness, low heat generation, high electrostatic discharge (ESD) tolerance/resistance and long life. This, coupled with a high performance power supply and extremely durable housing, puts the Vega at the top of its class.

The Vega Modular LED Lens System features a durable and abrasion resistant polycarbonate lens housed within a modular design. With a high color rendering index of 75 or greater, all original colors are realized. Vega fixtures demonstrate first class quality within a beautiful, modern appearance. They are national listing lab tested with LM-79 reports to IESNA standards.

NO GLARE

Glare-reducing optical lens design.



DEPRECIATION

Excellent lumen depreciation. L70 at 65,000 hours.

**FEATURES
TO LOOK
FOR**

THE LED DIFFERENCE

Instant on or off without delay or re-strike allows the Vega to be used in special needs situations such as basketball gymnasiums, auditoriums or theaters, where a warm up time prohibits the action. Add dimming or daylight harvesting controls and the door is wide open to the possibilities.

**ENVIRONMENTALLY
FRIENDLY**

LEDs do not contain mercury or lead. There is also no infrared or ultraviolet radiation. No UV results in insect reduction.

CRITICAL BENEFITS

CREE® LEDs provide super bright light from little power. The LEDs use a simple thermal management system with a long product life and high reliability. We incorporate this high quality into the entire Vega fixture lineup.

MASTER OF THE STREETS



AR series

The master of the roadway, the street, and the parking lot, we introduce the **Vega AR series**. With built-in control options, including a wide-range of dimming and dusk to dawn controls, the AR is hands down the leader in the industry. The AR boasts rock solid construction with a 90 degree knuckle and is extreme weather ready.

An excellent supplier in the LED lighting industry, Vivid Leds released the Vega series to bring simplicity, form and function in a way that covers all applications. Through professional engineers' transformation to various application standards and market requirements, we have incorporated features such as a driver solution with flexible configuration, a modular lens system combining

ABOVE
Vega AR Series with 140 CREE LEDs. The fixture boasts a whopping 300W and delivers over 25,000 lumens.

colorifics and optics, various light control methods, various light distribution solutions and an installation interface that applies to various applications. Utilizing a top grade LED, reliable and high efficiency driver, a thermal management system, fast plug

electrical cables within the easy open driver compartment, and a modular patented structure integrating dust proof, waterproof and heat dissipation methods, it's no wonder the **Vega shines above the rest.**

RIGHT
The Vega fixture is a top choice for highways, streets and parking lots.

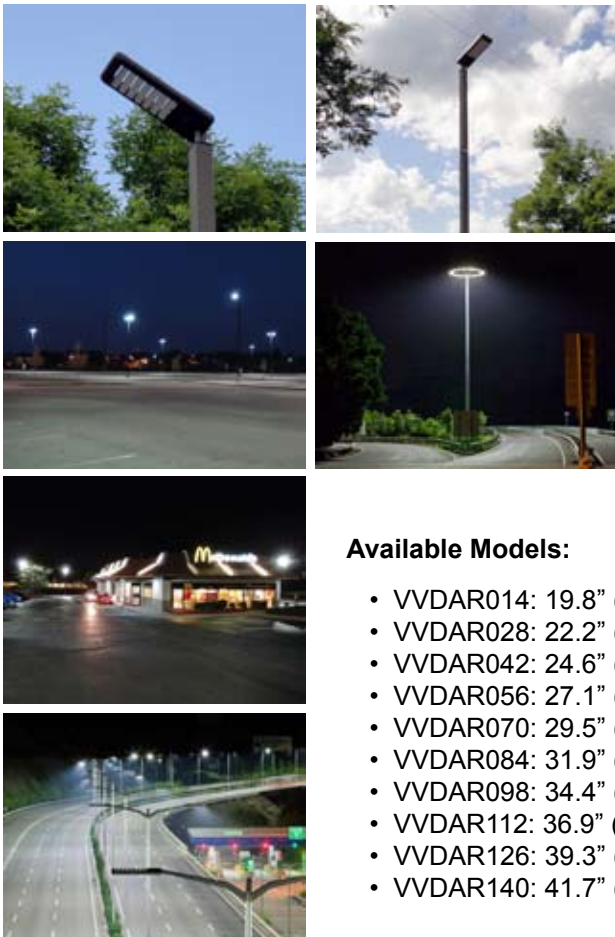


Applications: Roadways, streets, parking lots, billboards, security and flood lighting.



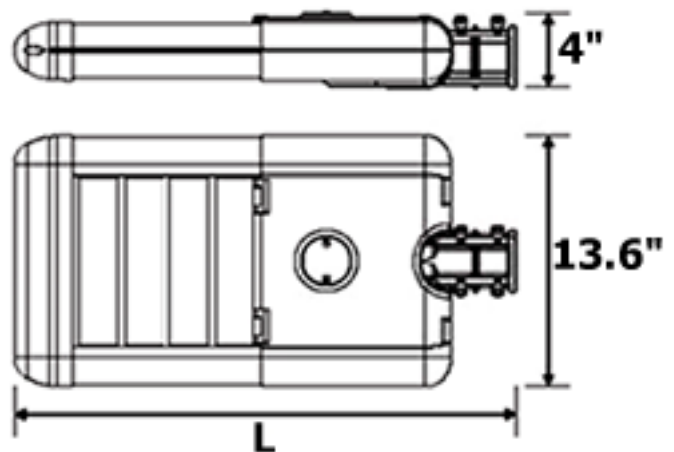
”

We had 1000w fixtures in our parking lot and replaced them with 210w Vega's. Our energy bill reflects the savings. Before, we had to rent a lift to replace the MH lamps often. Now, nearly two years later, our maintenance is gone thanks to the Vega fixture.



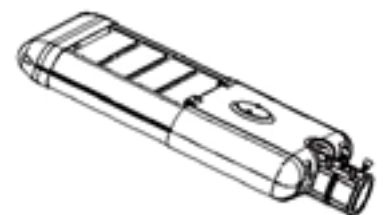
Available Models:

- VVDAR014: 19.8" (L) - 16.5 lbs
- VVDAR028: 22.2" (L) - 18.1 lbs
- VVDAR042: 24.6" (L) - 19.8 lbs
- VVDAR056: 27.1" (L) - 21.4 lbs
- VVDAR070: 29.5" (L) - 22.9 lbs
- VVDAR084: 31.9" (L) - 27.0 lbs
- VVDAR098: 34.4" (L) - 28.2 lbs
- VVDAR112: 36.9" (L) - 29.8 lbs
- VVDAR126: 39.3" (L) - 31.4 lbs
- VVDAR140: 41.7" (L) - 33.3 lbs



AR Features:

- Slipfitter with 0 to 90 degree rotating vertical knuckle
- Stainless steel, SAE, heavy gauge adjusting screws
- Adjustable mounting to fit 1.96" to 2.36" mounting pipe - 2 3/8" OD
- Electrical cable included, pre-wired, extended through knuckle for quick installation
- Terminal block and quick wire disconnects pre-wired
- Internal photocell and external motion sensor capable (See Accessories)





ONLY A POLE IS NEEDED

LIVING ON A POLE

The Vega PL packs the same punch as the AR series without the 0-90 degree rotating arm. When a static mount is needed, the PL is the perfect choice.

Versatile for mounting on poles when only a static angle is needed, the Vega PL is a streamlined choice. The lightweight design allows for a multitude of applications. With built-in controls such as dimming, and the ability to choose from a wide-range of color temperatures and lumen packages, the **PL series stands above the rest.**

PL series



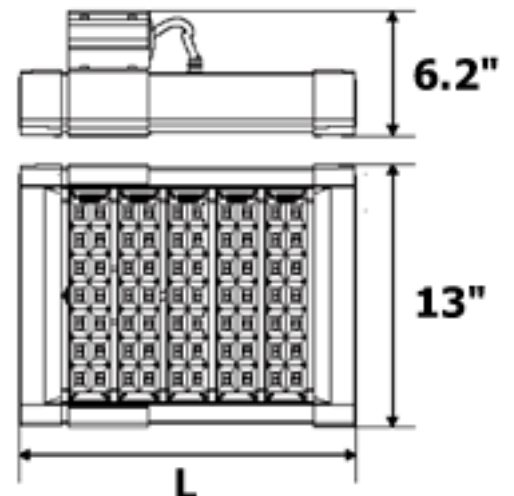
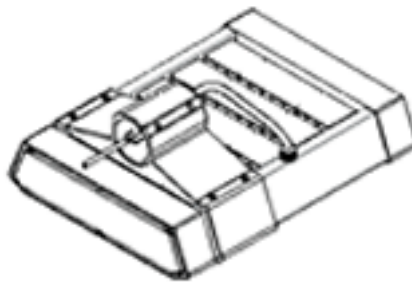
Applications: Roadways, streets, parking lots, billboards, and security lighting.

Available Models:

- VVDPL014: 6.6" (L) - 10.8 lbs
- VVDPL028: 9.2" (L) - 12.3 lbs
- VVDPL042: 11.8" (L) - 13.8 lbs
- VVDPL056: 14.3" (L) - 15.5 lbs
- VVDPL070: 16.8" (L) - 16.8 lbs
- VVDPL084: 19.2" (L) - 20.4 lbs
- VVDPL098: 21.7" (L) - 21.8 Lbs
- VVDPL112: 24.1" (L) - 23.4 Lbs
- VVDPL126: 26.5" (L) - 25.6 Lbs
- VVDPL140: 28.9" (L) - 30.2 Lbs

PL Features:

- Clamshell slipfitter slides directly onto the pole
- Stainless steel, SAE, heavy gauge adjusting screws
- Adjustable mounting to fit pipe - 2 3/8" OD
- Electrical cable included, pre-wired, extended out of the fixture for quick installation
- Terminal block and quick wire disconnects pre-wired
- External motion sensor and photocell capable





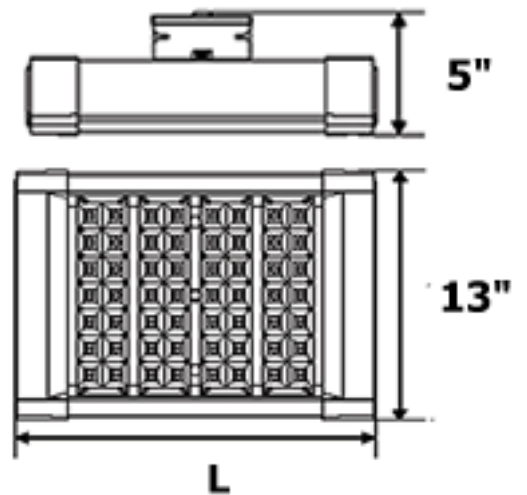
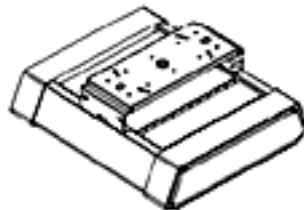
Applications: High bays, low bays, canopies, gymnasiums, warehouses, manufacturing and garages.

SM
series



Available Models:

- VVDSM014: 6.6" (L) - 10.8 lbs
- VVDSM028: 9.2" (L) - 12.3 lbs
- VVDSM042: 11.8" (L) - 13.8 lbs
- VVDSM056: 14.3" (L) - 15.5 lbs
- VVDSM070: 16.8" (L) - 16.8 lbs
- VVDSM084: 19.2" (L) - 20.4 lbs
- VVDSM098: 21.7" (L) - 21.8 Lbs
- VVDSM112: 24.1" (L) - 23.4 Lbs
- VVDSM126: 26.5" (L) - 25.6 Lbs
- VVDSM140: 28.9" (L) - 30.2 Lbs



SM Features:

- Low profile surface mount kit bolts directly to the surface
- The bracket can also attach to NPT pipe or by other mounting methods
- Stainless steel hardware to ensure long life
- Dimming and electrical cable included, pre-wired, extended outside the unit for quick installation
- Terminal block and quick wire disconnects pre-wired
- External motion sensor and daylight harvesting controls capable

A WORK OF ART

IN ONE PIECE

For a high bay, the Vega SM is sleek and unobtrusive. When powdercoated to match your ceiling, the fixture seems to disappear into its surroundings. With a slim profile mounting bracket, the unit appears to be all one piece.

The Vega SM is the most sought after fixture in the LED high bay market. The fine tuned lens on the LED modules create a dynamic field of lighting when used in basketball gymnasiums, warehouses and manufacturing facilities. When aligned properly in a grid, there are no dark areas. With the ability to replace 1000W MH, the **Vega shines bright above the rest.**





RECESS IS IN

Like its sister fixture the SM, the Vega RM incorporates the same lens package and punch all within a recessed fixture. Replacing up to 400W MH, the recessed kit allows mounting within the ceiling structure without photometric output loss. With a 5 year warranty, CREE LEDs and a long lasting Philips driver, you **can be confident with the Vega RM.**

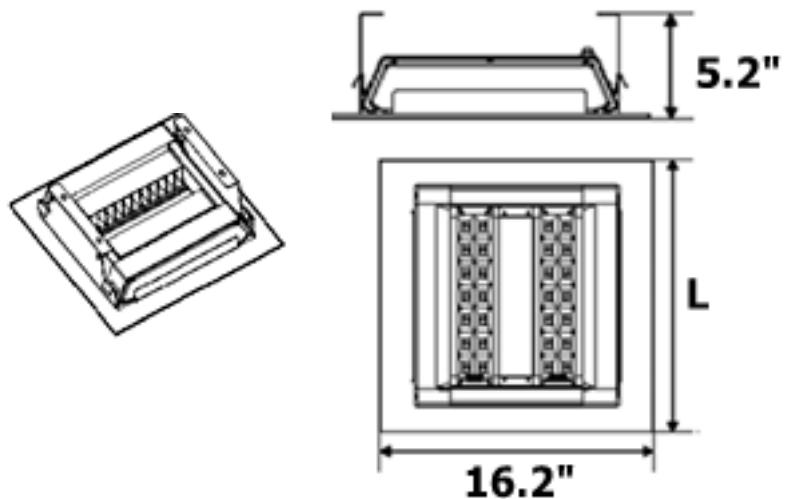
RM series

Applications: Soffits, high bays, low bays, recessed canopy lighting.



”

Last year a fire destroyed our gymnasium. At the time we had 400W MH fixtures. The folks at Vivid Leds were helpful in finding an energy saving alternative. We installed the Vega recessed fixture and couldn't be happier. Not only are we saving energy, but the lighting is much brighter and clearer than before.



RM Features:

- Separate mounting bracket fits into the ceiling
- Mounting clips hold the fixture inside the bracket
- Dimming and electrical cable included, pre-wired, extended outside the unit for quick installation
- Terminal block and quick wire disconnects pre-wired
- Detailed mounting instructions available
- External motion sensor and daylight harvesting controls capable

Available Models:

- VVDRM014: 6.6" (L) - 10.8 lbs
- VVDRM028: 9.2" (L) - 12.3 lbs
- VVDRM042: 11.8" (L) - 13.8 lbs
- VVDRM056: 14.3" (L) - 15.5 lbs
- VVDRM070: 16.8" (L) - 16.8 lbs
- VVDRM084: 19.2" (L) - 20.4 lbs







GO UNIQUE

The unique, elegant design of the Vega PM can be used in decorative areas to the warehouse. The pantone matched-to-the-fixture pendant extension allows the lamp to be lowered to the right height for your application. The specs are the same as the coveted Vega SM with the added addition of the decorative pole.

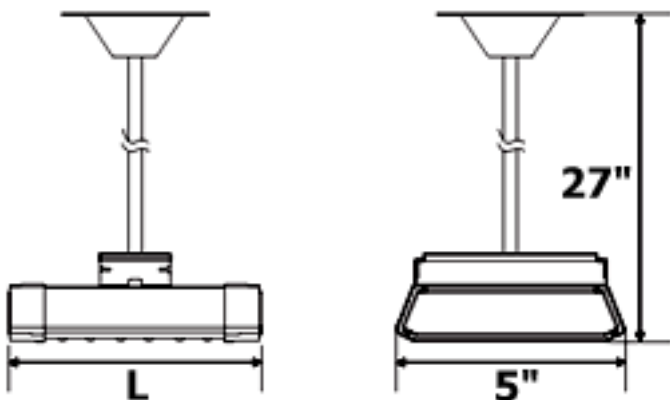
PM series

Available Models:

- VVDPM014: 6.6" (L) - 10.8 lbs
- VVDPM028: 9.2" (L) - 12.3 lbs
- VVDPM042: 11.8" (L) - 13.8 lbs
- VVDPM056: 14.3" (L) - 15.5 lbs
- VVDPM070: 16.8" (L) - 16.8 lbs
- VVDPM084: 19.2" (L) - 20.4 lbs
- VVDPM098: 21.7" (L) - 21.8 Lbs
- VVDPM112: 24.1" (L) - 23.4 Lbs
- VVDPM126: 26.5" (L) - 25.6 Lbs
- VVDPM140: 28.9" (L) - 30.2 Lbs

PM Features:

- Pendant mounted pole with cone-shaped mounting cup
- Stainless steel hardware to ensure long life
- Dimming and electrical cable included, pre-wired, extended outside the unit for quick installation
- Terminal block and quick wire disconnects pre-wired
- External motion sensor and daylight harvesting controls capable



Applications: Architectural, pendants, high bays, gymnasiums, warehouses and decorative areas.

THE ULTIMATE FLOOD



A flood light that makes all others quiver, the Vega TM can replace 1000W MH with a breeze. Attached to a sturdy trunnion bracket, put the light where you need it most utilizing our multiple optics lens including Asymmetric and

Symmetric. From 30W to 300W CREE LED power, the **Vega TM floods brighter than the rest.**





OPEN AIR

The Vega TM illuminates a stadium ceiling producing amazing indirect light.

TM series

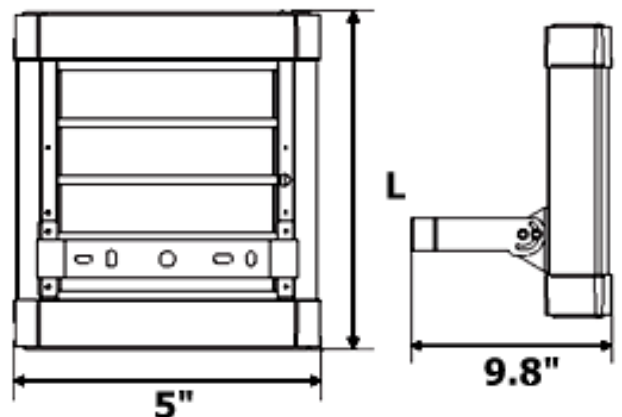
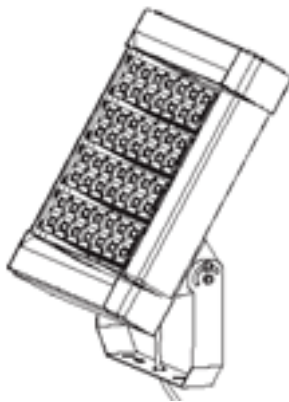
TM Features:

- Heavy duty trunnion bracket, base rotatable
- Stainless steel, SAE, heavy gauge adjusting screws
- Available in many different IES lens types
- Dimming and electrical cable included, pre-wired, extended outside the unit for quick installation
- Terminal block and quick wire disconnects pre-wired
- External motion sensor and photocell capable



Available Models:

- VVDTM014: 6.6" (L) - 10.8 lbs
- VVDTM028: 9.2" (L) - 12.3 lbs
- VVDTM042: 11.8" (L) - 13.8 lbs
- VVDTM056: 14.3" (L) - 15.5 lbs
- VVDTM070: 16.8" (L) - 16.8 lbs
- VVDTM084: 19.2" (L) - 20.4 lbs
- VVDTM098: 21.7" (L) - 21.8 Lbs
- VVDTM112: 24.1" (L) - 23.4 Lbs
- VVDTM126: 26.5" (L) - 25.6 Lbs
- VVDTM40: 28.9" (L) - 30.2 Lbs

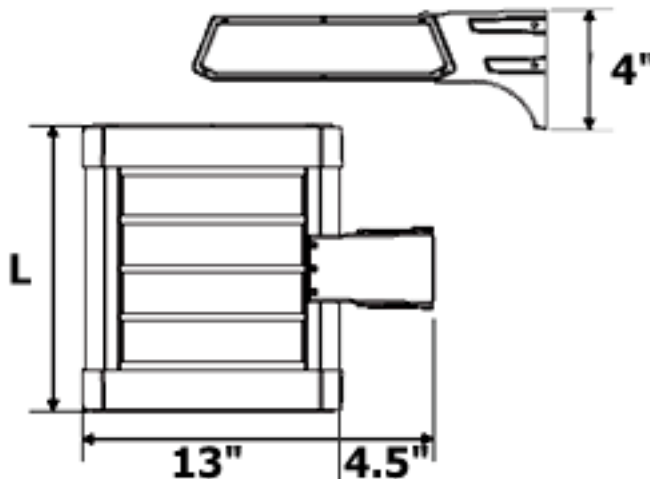
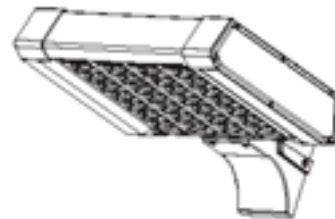


Applications: Security, pathway, sports courts, parking lots and general flood lighting.

it's multifunctional



Applications: Wall pack, area light, architectural, pathways and security lighting.



The Vega WM is an outstanding performer with a sturdy mounting bracket. Whether it be for wall pack use or mounting to a pole, the WM is perfect for replacing up to 400W MH fixtures. The WM already saves up to 80% energy over traditional lighting. Connect this fixture to a photocell or motion sensor for even greater energy savings.

WM series



WM Features:

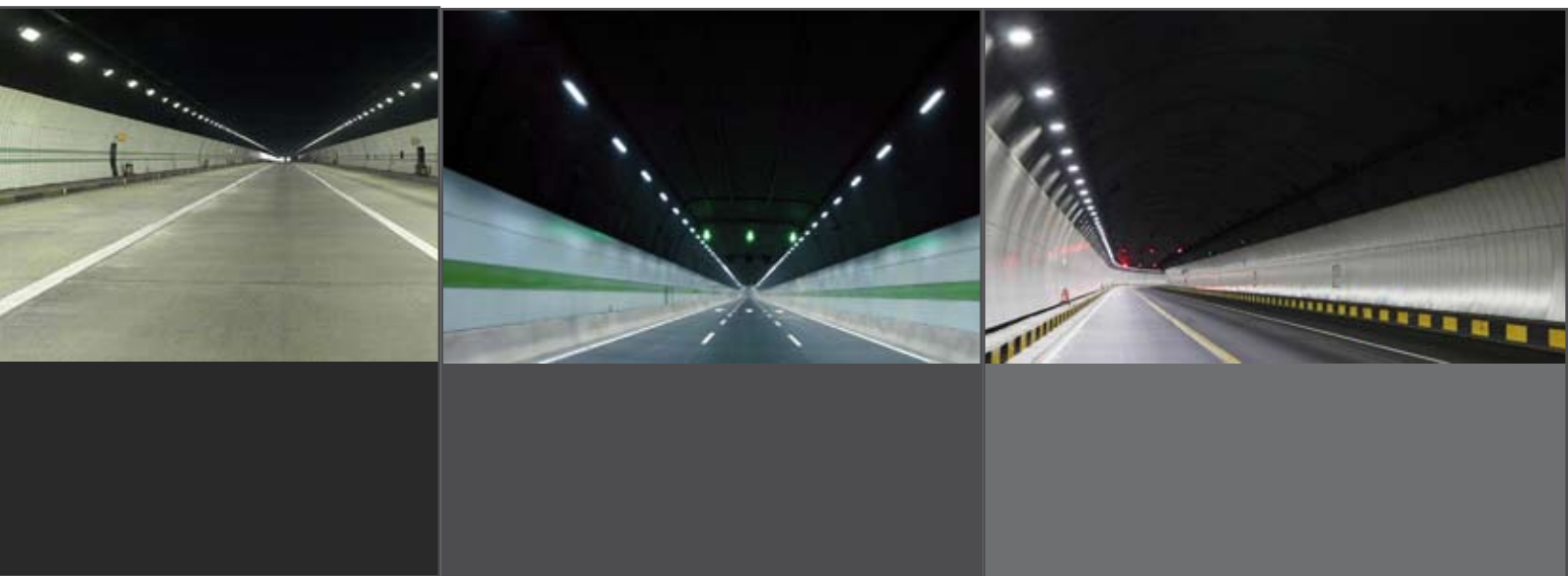
- Heavy duty mounting arm for 4" poles or wall mount
- Stainless steel, SAE, heavy gauge adjusting screws
- Available in many different IES lens types
- Dimming and electrical cable included, pre-wired, extended outside the unit for quick installation
- Terminal block and quick wire disconnects pre-wired
- External motion sensor and photocell capable

Available Models:

- VVDWM014: 19.8" (L) - 16.5 lbs
- VVDWM028: 22.2" (L) - 18.1 lbs
- VVDWM042: 24.6" (L) - 19.8 lbs
- VVDWM056: 27.1" (L) - 21.4 lbs
- VVDWM070: 29.5" (L) - 22.9 lbs
- VVDWM084: 31.9" (L) - 27.0 lbs



**Pole or
Wall Mount
Applications**



RB
series



Applications: Tunnels, general flood lighting, security, high bays for sloped ceilings and common areas.

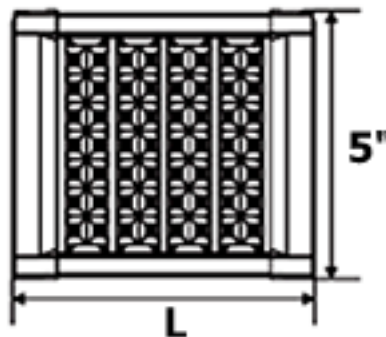


Versatile for mounting on walls or ceilings, the Vega RB series is an excellent choice for tunnels or sloped ceilings where a rotating bracket is needed. With built-in controls such as dimming, and the ability to choose from a wide-range of color temperatures and lumen packages, the **RB series achieves more than the rest.**



Available Models:

- VVDRB014: 6.6" (L) - 10.8 lbs
- VVDRB028: 9.2" (L) - 12.3 lbs
- VVDRB042: 11.8" (L) - 13.8 lbs
- VVDRB056: 14.3" (L) - 15.5 lbs
- VVDRB070: 16.8" (L) - 16.8 lbs
- VVDRB084: 19.2" (L) - 20.4 lbs



RB Features:

- Die-cast aluminum rotating bracket for pole or wall mounting
- Available in many different IES lens types
- Dimming and electrical cable included, pre-wired, extended outside the unit for quick installation
- Terminal block and quick wire disconnects pre-wired
- External motion sensor and photocell capable

PHOTOMETRICS

Use these handy photometric lens descriptions to choose your best scenario. You can find .ies files at www.vividleds.us. We are always here to lend a hand when layouts are needed. While we can't fit all information in this brochure, please visit our website to learn more about our Vega lens types.



These photometrics are based on Independent Testing Laboratories certified test report # ITL73461. 126 LED Vega AR with 20,446 total integrated lumens at 700mA. 4000K candlepower trace and 85 CRI. 120VAC input.

Polar Curve

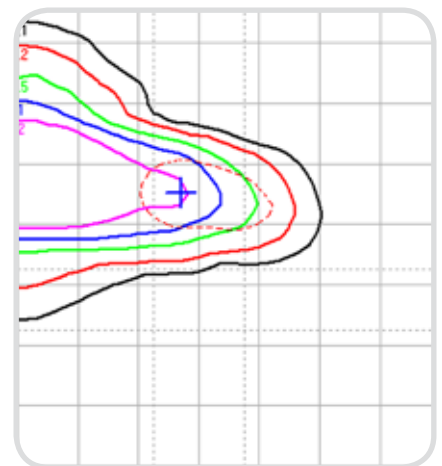
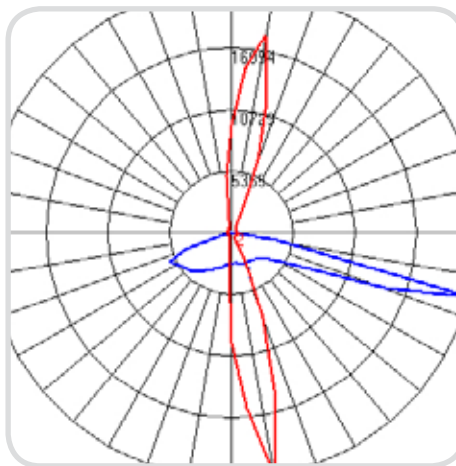
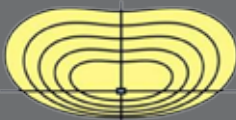
Polar Trace Vertical and Horizontal Plane through Horizontal Angle of Max Candlepower

ISO Plot

Grid Distance in Units
Mounting Height of 25'

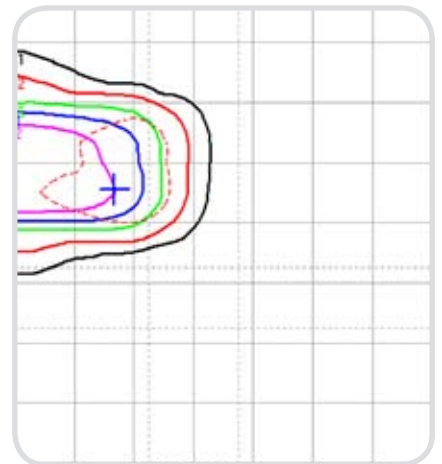
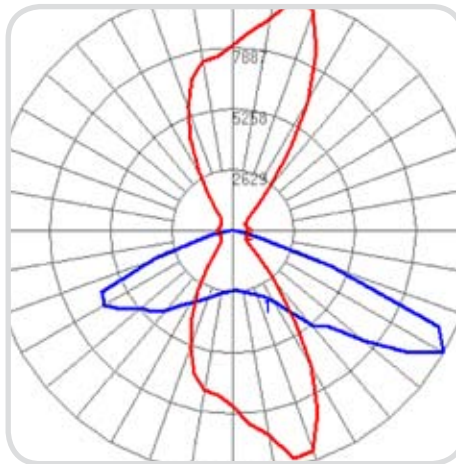
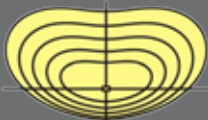
A2M Lens

Asymmetric Type II Medium



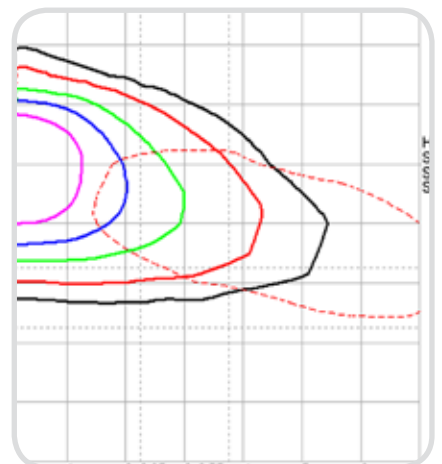
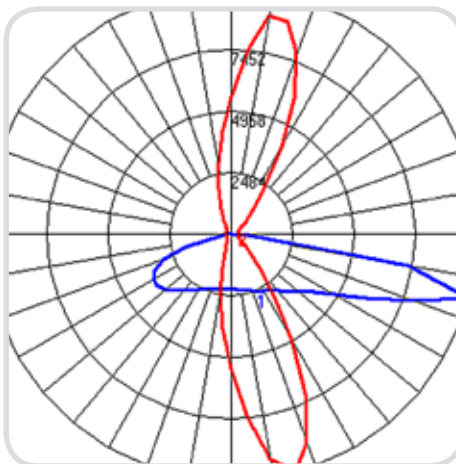
A2MH Lens

Asymmetric Type II Med Horizontal

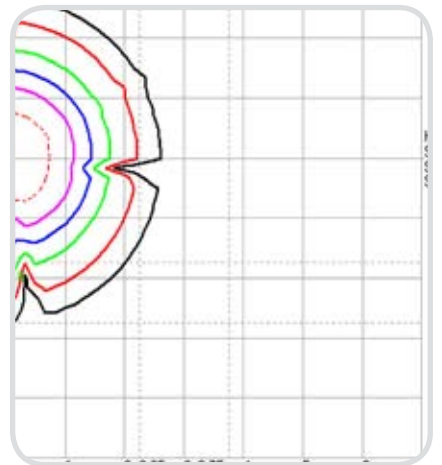
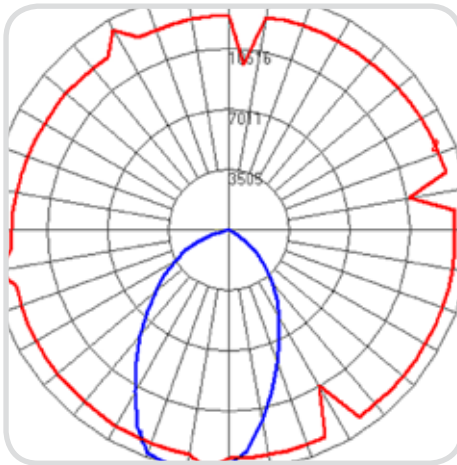


A3L Lens

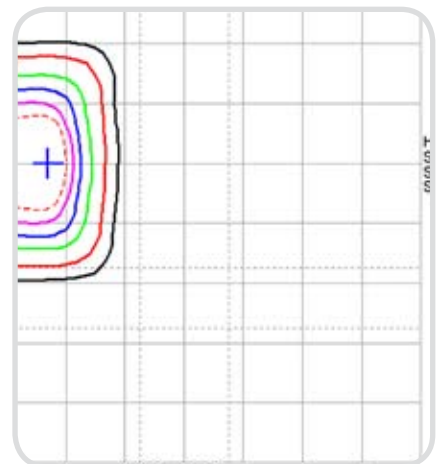
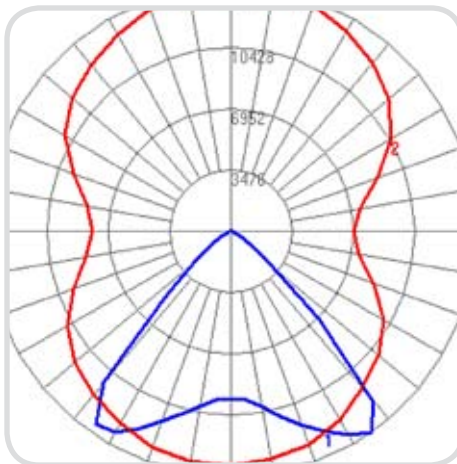
Asymmetric Type III Long



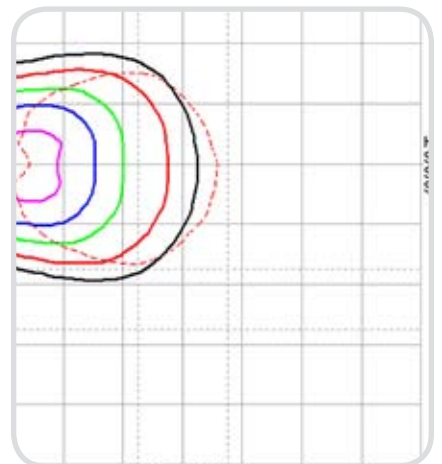
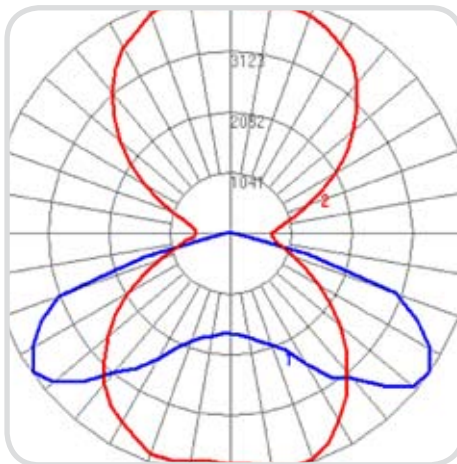
S5M Lens
Symmetric Type V Medium



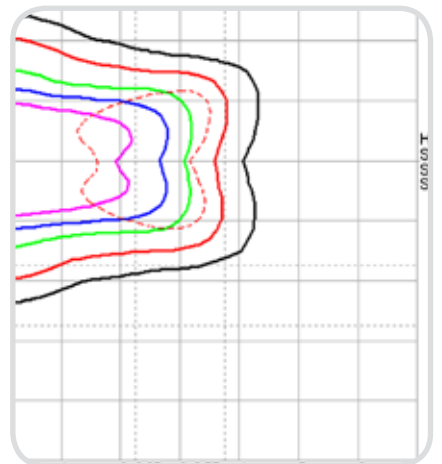
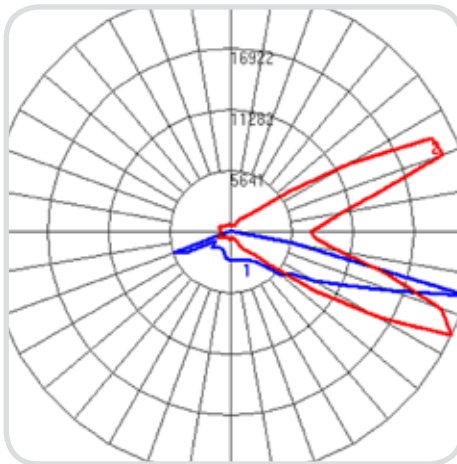
S1S Lens
Symmetric Type I Short



S1SH Lens
Symmetric Type I Short Horizontal



S1M Lens
Symmetric Type I Medium



7 BASIC

STEPS TO ORDERING

What you see is what you get when it comes to the Vega fixture and its features. Of course, there are a lot of choices, but that's what makes the Vega special. You can customize it to match your exact application. Your fixture will be made to order and delivered exactly as you choose. Versatility is why the **Vega** stands apart from the rest.



Vivid Leds **Easy Order** leads you through our simplified ordering guide.

Use the Order Sheet on the next page and follow the steps to create your perfect Vega fixture!

At Vivid Leds, we like to keep it simple. We want your experience to be as easy as possible. It doesn't take much to get overwhelmed with all the lighting fixtures on the market today. With our **EASY ORDER** system, not only are all the mounting options the same price, but all the other options are too.

1

MOUNTING TYPE

AR Series - The master of the roadway, the street and the parking lot.

PL Series - Versatile for mounting on poles when only a static angle is needed.

SM Series - Incredible output for basketball gymnasiums to warehouses to manufacturing facilities to canopies.

RM Series - A well developed, recessed kit when you need a sleek look.

PM Series - Unique, elegant design that can be used in decorative areas to the warehouse.

TM Series - A flood light that makes all others quiver, the Vega TM can replace 1000W MH.

WM Series - An outstanding performer with a sturdy bracket. Can be used as a wall pack or mounted to a pole.



SAVINGS

Start saving up to 80% system energy over your existing HID fixture. Utilize Vega's dimming capabilities for even greater results. The Vega shines bright above the rest.

COLOR TEMPERATURE

LED colors are often specified in "nm", or nanometers, which is the wavelength of the light. The wavelength given is at peak output. LEDs are not perfectly monochromatic, but rather produce a range of wavelengths over a small region of the spectrum. At Vivid Leds, we can customize our fixtures to the color range you specify. This is another reason we outshine the competition.

2

NUMBER OF LEDS

- 014** - 14 LEDS - 30W - 2618 Lm
- 028** - 28 LEDS - 60W - 5408 Lm
- 042** - 42 LEDS - 90W - 8046 Lm
- 056** - 56 LEDS - 120W - 10039 Lm
- 070** - 70 LEDS - 150W - 12970 Lm
- 084** - 84 LEDS - 180W - 15327 Lm
- 098** - 98 LEDS - 210W - 17872 Lm
- 112** - 112 LED - 240W - 20343 Lm
- 126** - 126 LEDS - 270W - 22578 Lm
- 140** - 140 LED - 300W - 25276 Lm

3

COLOR TEMPERATURE

- W** - Warm White - 2700-3300K
- N** - Natural White - 3700-4300K
- P** - Pure White - 4700-5300K
- C** - Cool White - 5700-6500K
- Y** - Yellow - 570-575nm
- R** - Red - 620-625nm
- G** - Green - 520-525nm
- B** - Blue - 470-475nm
- CS** - Custom

4

**IES LENS TYPE**

- A2M** - Asymmetric Type II Medium
- A2MH** - Asymmetric Type II Med Horizontal
- A3L** - Asymmetric Type III Long
- S5M** - Symmetric Type V Medium
- S1S** - Symmetric Type I Short
- S1SH** - Symmetric Type I Short Horizontal
- S1M** - Symmetric Type I Medium

5

VOLTAGE

Philips Advance Xitanium Class II dimmable drivers for ultimate quality and long life. Optimized life expectancy of driver is 50,000 hours. 0-10V and programmable options with a network-ready DALI interface. ZigBee capable. Lead-wires are 18AWG 105C/600V solid copper. Voltage ranges from 100-277 VAC, 347-480 VAC, 12 VDC and 24 VDC for solar. Class "A" sound rating. Max surge protection of 10kv. IEEE/ANSE C62412. System power factor is >99% and THD <20%. Thermal protection reduces the LED output if case temperature exceeds 185 degrees F. EMI/RFI: Title 47 FR part 15 Class A. LED driver complies with UL standard UL1012.

V27 - 100-277VAC

V48 - 347-480VAC

D12 - 12VDC

D24 - 24VDC



7

DIMMING OPTIONS

- ND** - No Dimming
- D1** - 0-10V Dimming
- PD** - Program Dim (Specify Schedule)

Standard 0-10V dimming available with suggested Lutron or Leviton dimmers. ZigBee capable to control the fixtures by computer or wireless phone. DALI interface programmable at factory.

6

HOUSING AND FINISH

- BK** - Black
- SG** - Silver Gray
- WT** - White
- BN** - Brown
- CS** - Custom (Specify Pantone)



ZigBee
Control your world


Philips Xitanium Constant Current Outdoor product family offers a selection of LED drivers with lower output voltages in a range of convenient form-factors and wattages. The Xitanium Outdoor drivers are SELV (Safety Extra Low Voltage) compliant, enabling easy LED light engine design. Xitanium Constant Voltage Outdoor LED drivers deliver a highly stable output voltage and are UL Class 2 rated. These drivers are the perfect choice for enabling easy modular connection of multiple LED PCBs in parallel. The Constant Voltage Outdoor category offers excellent reliability and ensures a simplified installation process. Robust design reduces maintenance and lowers the cost of ownership over the application lifetime. For optimal performance, LED luminaires require reliable drivers which match the long lifetime of the LEDS.

VEGA AR ACCESSORIES

The VVD202 photocell/receptacle system will control street lighting automatically in accordance with the ambient natural lighting level. This product is designed on the basis of a thermal bi-metallic structure that provides time delay over 30 seconds to avoid mis-operation due to spotlight or lightning during the evening hours. A temperature compensation system provides consistent performance regardless of the ambient temperature.

PHOTOCELL FEATURES

- High impact UV stabilized polycarbonate and clear window
- High impact polybutylene terephthalate base
- Photocell with 0.5" Cadmium Sulfide with heat sink
- ANSI C136.10-1996 Twist Lock receptacle
- Time delay 30-120 seconds
- Power consumption: 1.5VA (Average)
- Operation: 10-20Lx On (Dusk), 30-60Lx Off (Dawn)
- Temperature compensated
- Lighting arrester on board
- Receptacle/photocell are UL, cUL listed



**POLES AND MOUNTING
ACCESSORIES AVAILABLE.**
Contact us for a custom quote.



VEGA FAMILY SPECIFICATIONS



# of LEDs	# of Modules	LED Wattage	System Watts 120V	Current (Amps)	Initial Lumens*	Lumens Per Watt	Power Factor	Drive Current	CRI	B	U	G	EPA (SQ. ft)	L70 Hours
14	1	30	33	0.28	2,618	80	0.98	700mA	76	3	0	4	1.17	60,500
28	2	60	67	0.56	5,408	81	0.98	700mA	76	3	0	4	1.31	60,500
42	3	90	96	0.81	8,046	83	0.99	700mA	76	3	0	4	1.45	60,500
56	4	120	129	1.08	10,039	78	0.99	700mA	76	3	0	4	1.59	60,500
70	5	150	164	1.37	12,970	79	0.99	700mA	75	3	0	4	1.72	60,500
84	6	180	191	1.61	15,327	80	0.99	700mA	75	3	0	4	1.86	60,500
98	7	210	224	1.87	17,872	80	0.99	700mA	75	3	0	4	2.01	60,500
112	8	240	250	2.09	20,343	81	0.99	700mA	75	3	0	4	2.21	60,500
126	9	270	286	2.39	22,578	79	0.99	700mA	75	3	0	4	2.34	60,500
140	10	300	315	2.63	25,276	80	0.99	700mA	75	3	0	4	2.48	60,500

*Initial Lumens based on 4700-5300K temperature package. Lumens vary per color temperature selected.

PART NUMBER GENERATOR

Before placing an order, we recommend referencing the product data sheet from our website to ensure the most accurate information.

Note: Not all LED configurations and accessories are available for all families of fixtures. Please reference the information found in this brochure or on our website at www.vividleds.us.



VVD _ _ _ _ _ - _ - _ _ _ - _ _ _ _ _ - _ _ _ _ _ - _ _ _ _ _ - _ _ _ _ _ - _ _ _ _ _ - _ _ _ _ _

Family	# of LEDS	Color Temp	IES Type	Voltage	Finish	Dimming	Drive Current	Accessories
AR	014	W - 2700-3300K	A2M	V27 - 100-277VAC	BK - Black	ND - No-Dim	BLANK - 700mA	BLANK - None
PL	028	N - 3700-4300K	A2MH	V48 - 347-480VAC	SG - Silver Gray	D1 - 0-10V Dim	525 - 525mA	PC - VVD202
SM	042	P - 4700-5300K	A3L	D12 - 12VDC	WT - White	PD - Program Dim (Specify Schedule)	350 - 350mA	SC - VVD208
RM	056	C - 5700-6500K	S5M	D24 - 24VDC	BN - Brown			OC - VVD209
PM	070	Y - 570-575nm	S1S		CS - Custom (Specify Pantone)			RC - VVD201
TM	084	R - 620-625nm	S1SH					TR - VVD200
WM	098	G - 520-525nm	S1M					
RB	112	B - 470-475nm						
	126	CS - Custom (Specify Temp)						
	140							

ORDERING: Send a PO to your representative. If no rep is present, send to orders@vividleds.us or fax to 800-974-3570.

CERTIFICATIONS AND WARRANTY

CE, FCC, UL, cUL suitable for wet locations per UL 1598

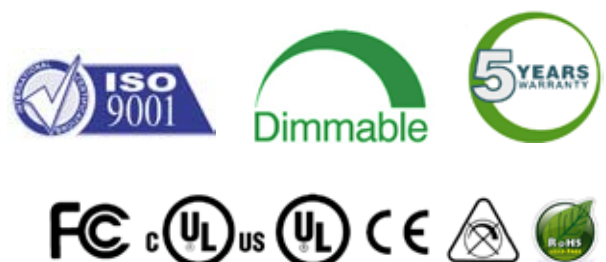
ISO9001:2000 quality management system

All fixtures are IP66 rated according to IEC60598

RoHS compliant

Operating temperature: -40 to 55 C

Operating humidity: 10% to 95%





Vivid Leds, Inc.

**4725 Massillon Rd.
Green, OH 44720**

Phone: 330-818-6902

Fax: 800-974-3570

Product Information: info@vividleds.us

Purchase Orders : orders@vividleds.us

Product Support: support@vividleds.us

www.vividleds.us