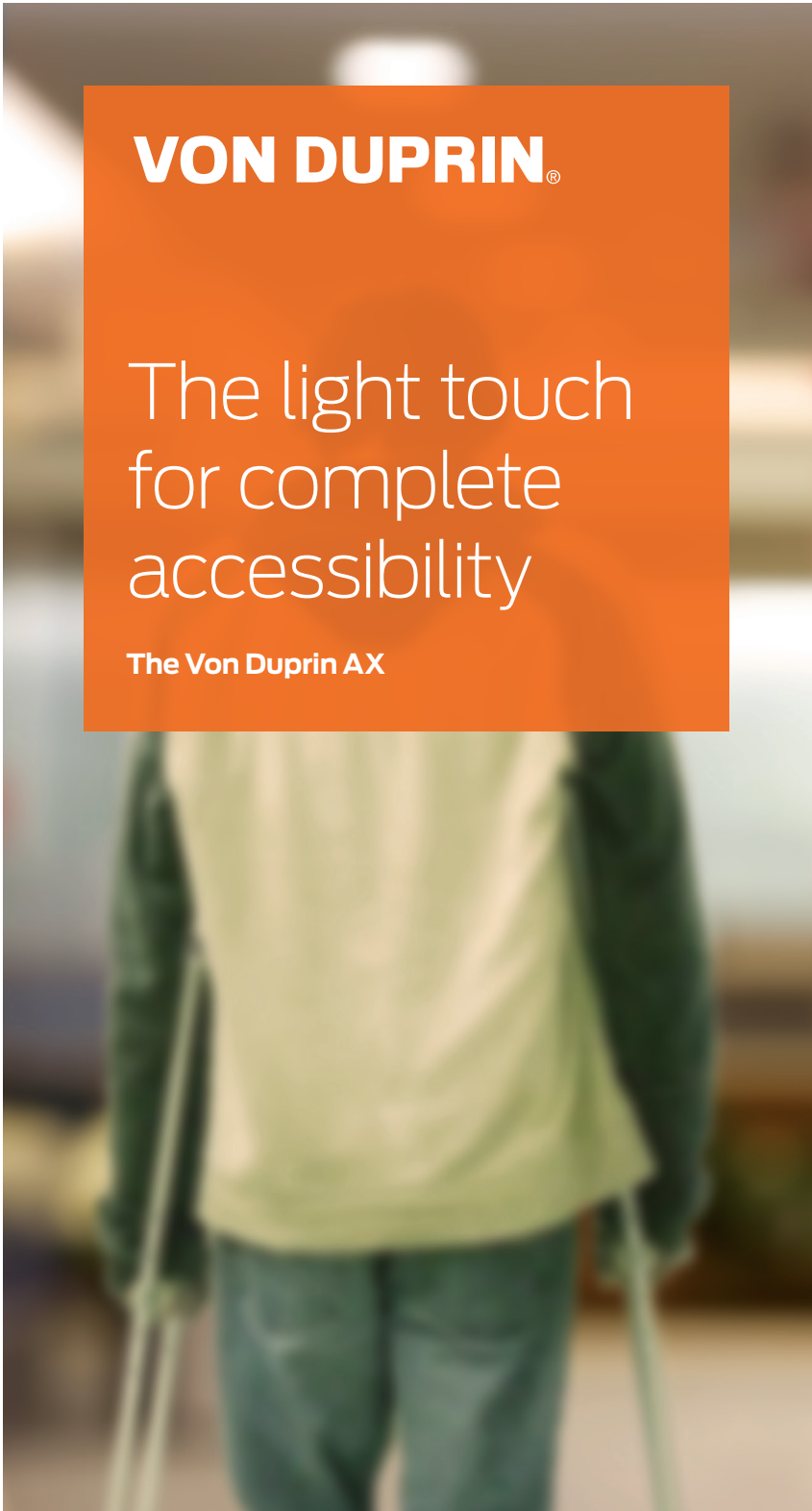


VON DUPRIN®

The light touch
for complete
accessibility

The Von Duprin AX



The Von Duprin AX: The exit device which requires only 5 lbs. of force to operate

For decades, architects have turned to Von Duprin for innovative solutions with proven performance. We delivered that once again with the AX, our newest exit device offering. This option provides a complete accessibility solution—without compromising any of the other elements that have made Von Duprin the industry’s most trusted exit device manufacturer.

New maximum force code

The AX was born out of a need to provide the market with a solution that meets the 2010 ADA Standards for Accessible Design (Chapters 404.2.7 and 309.4) that state the force required to activate operable parts shall be 5 lbs. maximum. The 2013 California Building Code (Chapter 11B-309.4) adopted virtually identical requirements that went into effect January 1st, 2013.

What this means to you

- New construction projects in the United States require exits to meet 5 lb. maximum operating force.
- An ideal fit for openings that demand maximum accessibility.

UL certification on new California Building Code requirements

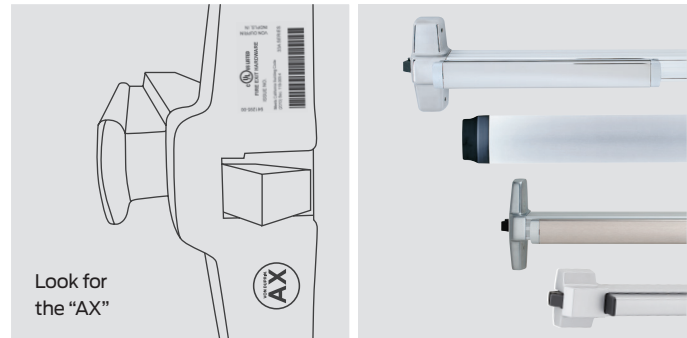
The AX is subject to Von Duprin’s standard testing to ensure it meets our own rigorous standards for durability, use and functionality. We also received a new UL certification confirming for you—and building inspectors—that an independent third party has verified that the AX is compliant with the 5 lb. maximum operational force requirement. The AX is the first UL-certified exit device to meet the new requirements put in place by ADA Standards and the California Building Code for accessible openings.

What this means to you

You can be assured that you’re specifying a product that’s been thoroughly tested to meet the ADA Standard as well as California Building Code’s new code requirements. This will help minimize the risk of project delays, liability and lost time and money in having to re-specify an opening.

Accessibility without compromise

On the surface, the AX looks and performs the same as our traditional exit devices. But, through smart engineering and redesign, we’ve enabled the AX to meet 5 lb. operational force requirements. The chassis now requires less push force to actuate the latch, allowing for accessibility without compromise...the Von Duprin promise.



Von Duprin AX offering

Series	Device Type	Functions
98/99	AX98/99	Exit only/Dummy trim Night latch/Lever
	AX98/99-F	
	AX98/9927 LBR	Night latch-optional pull Lever-blank escutcheon Lever-rigid-dummy trim Lever-rigid-night latch
	AX98/9927-F LBR	
	AX98/9949 LBL	
	AX98/9949-F LBL	
	AX98/9949-F LBL-AFL	
94/95	AX94/9547	Exit only/Dummy trim Night latch/Lever Lever-blank escutcheon Lever-rigid-dummy trim Lever-rigid-night latch
33A/35A	AX33/35A	Exit only/Dummy trim Night latch/Lever
	AX33/3549A LBL	
	AX33/3549A-F LBL	Night latch-optional pull Lever-blank escutcheon Lever-rigid-dummy trim
	AX33/3549A-F LBL-AFL	
22	AX22	Exit only/Dummy trim/Night latch Night latch-optional pull Lever/lever-blank escutcheon
	AX22-F	
	AX2227 LBR	
	AX2227-F LBR	

Contact your local Allegion Representative today at 888-925-4359 or visit ax.allegion.com to learn how the AX can help you provide accessibility without compromise.

About Allegion

Allegion (NYSE: ALLE) creates peace of mind by pioneering safety and security. As a \$2 billion provider of security solutions for homes and businesses, Allegion employs more than 8,000 people and sells products in more than 120 countries across the world. Allegion comprises 27 global brands, including strategic brands CISA®, Interflex®, LCN®, Schlage® and Von Duprin®. For more, visit www.allegion.com.