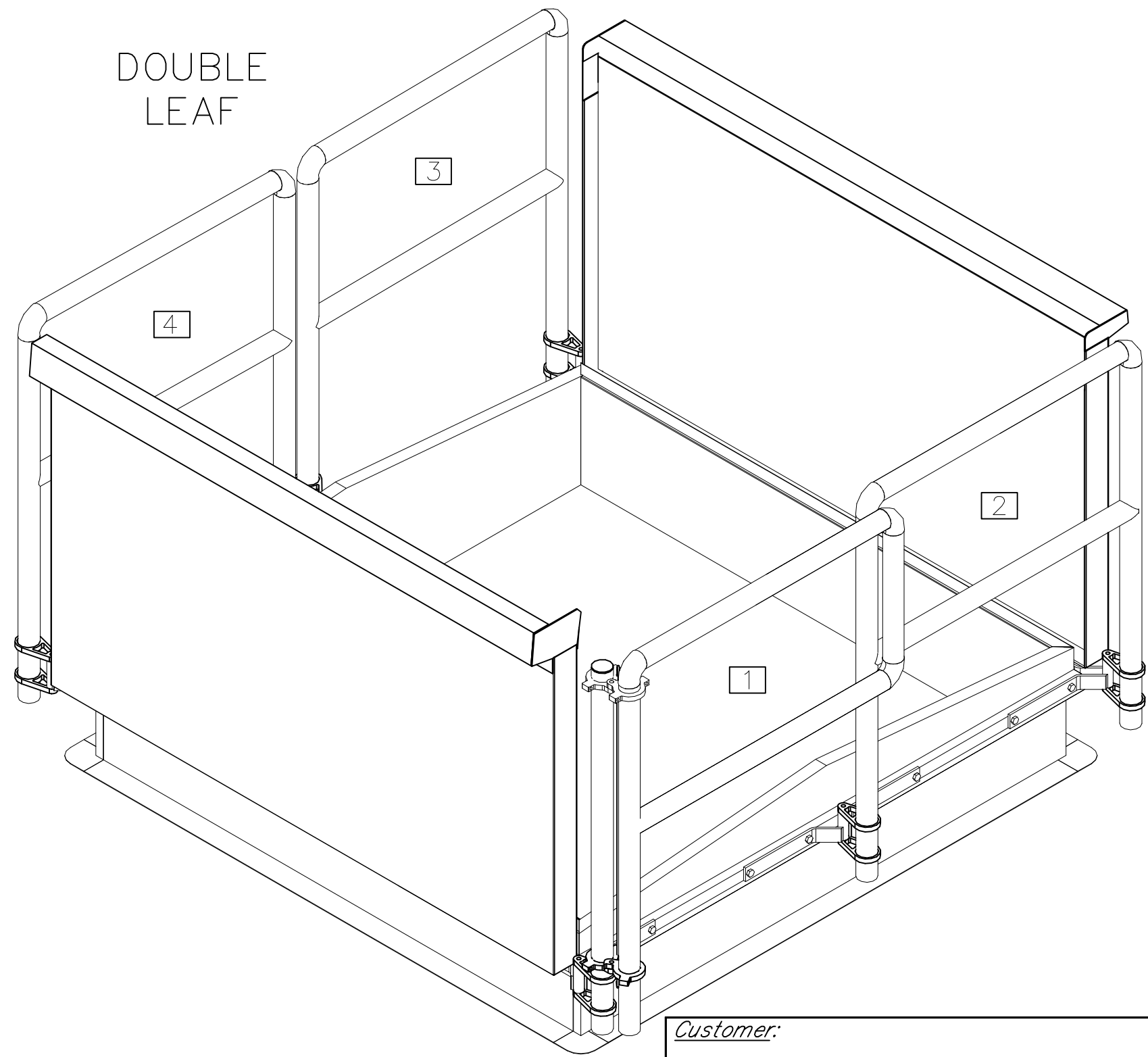
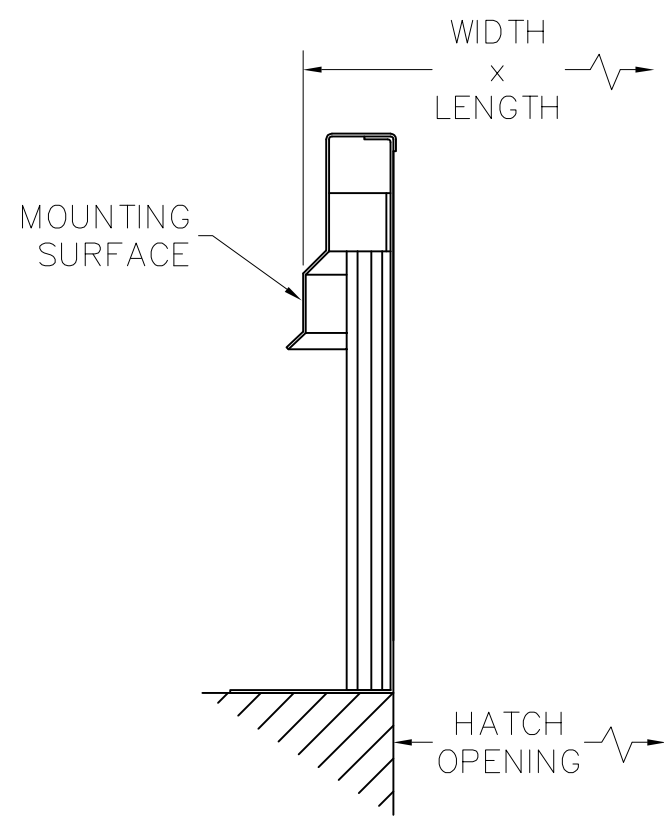


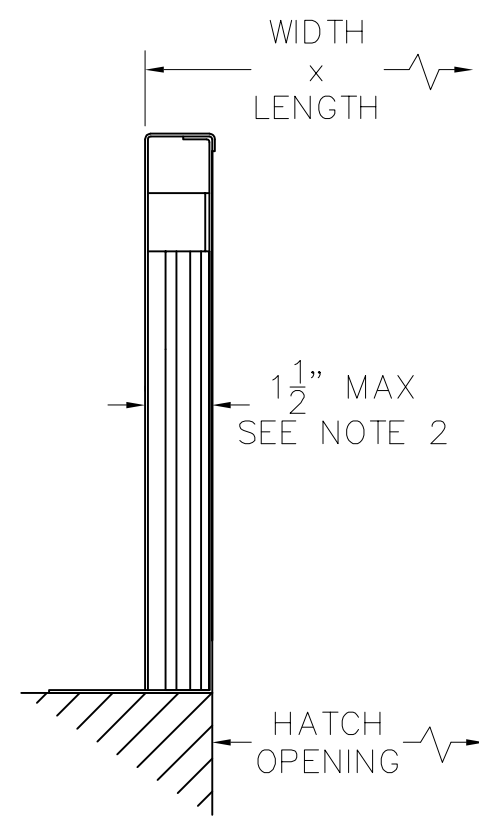
SINGLE LEAF



DOUBLE LEAF



CURB  
W/  
CAPFLASHING



FULLY  
ENCLOSED  
CURB

	WIDTH	LENGTH (HINGE SIDE)
SIZE		
GATE SWING	<input type="checkbox"/> LEFT HAND (SHOWN)	<input type="checkbox"/> RIGHT HAND
GATE LOCATION	<input type="checkbox"/> 1 <input type="checkbox"/> 2 <input type="checkbox"/> 3 <input type="checkbox"/> 4	
	<input type="checkbox"/> SINGLE LEAF	<input type="checkbox"/> DOUBLE LEAF
	<input type="checkbox"/> CAPFLASHING	<input type="checkbox"/> FULLY ENCLOSED

- NOTES:
1. CUSTOMER RESPONSIBLE FOR STRUCTURAL INTEGRITY OF MOUNTING SURFACE
  2. IF GREATER THAN 1 1/2" CUSTOMER MUST PROVIDE MOUNTING BOLTS
  3. BIL-GUARD NOT AVAILABLE FOR DOMED UNITS
  4. SIDES ≤ 4'-6" REQUIRE (1) RAIL  
SIDES > 4'-6" REQUIRE (2) OR MORE RAILS

*Customer:*

*P.O. N°*

*Job:*

*Sales Rep:*

Manufacturers of Doors for Special Services  
**Bilco**® THE BILCO COMPANY  
 New Haven, Connecticut 06505

**BIL-GUARD®**  
**HATCH RAIL SYSTEM FOR EXISTING**  
**ROOF HATCHES & FIRE VENTS**

**QTY**

**TYPE** **RL**

**SIZE** **W** **L**  
 \_\_\_\_\_ x \_\_\_\_\_

**CUSTOMER FIELD DIMENSIONS**

THIS DRAWING IS THE PROPERTY OF THE BILCO COMPANY AND INCORPORATES INFORMATION WHICH IS PROPRIETARY. PUBLICATION AND/OR PUBLIC DISTRIBUTION IN WHOLE OR IN PART IS EXPRESSLY PROHIBITED WITHOUT THE PRIOR WRITTEN CONSENT OF THE BILCO COMPANY. THE INFORMATION CONTAINED HEREIN REMAINS THE PROPERTY OF THE BILCO COMPANY. ALL RIGHTS RESERVED.