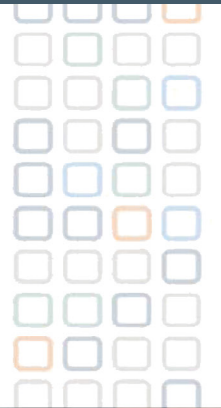


Qmotion®



Manual Shades

Qmotion®



QMotion® Manual Shades

Setting a new standard for manual shades

Discover the beauty in QMotion® manual shades. The same clean, sophisticated designs you come to expect in QMotion® automated shades can be found in the new line of manual shades. Never has it been simpler or more stylish to take control over light and privacy while adding to the elegance of your interior.

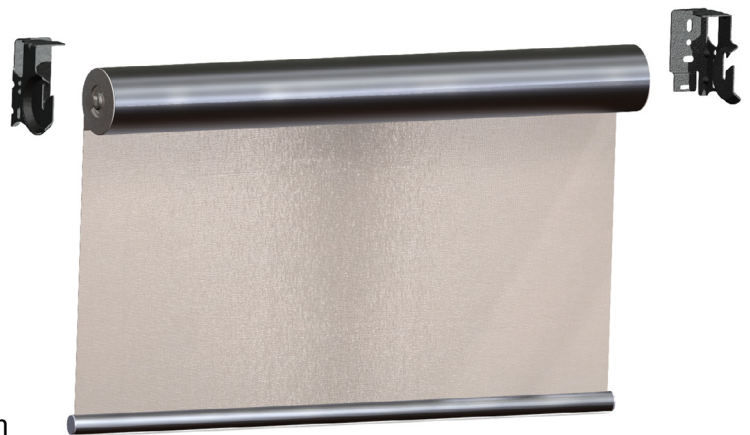
With precision parts and quality engineering, QMotion® delivers solid performance that never sacrifices aesthetics. QMotion® manual shades deliver the look you desire without the cost of automation.



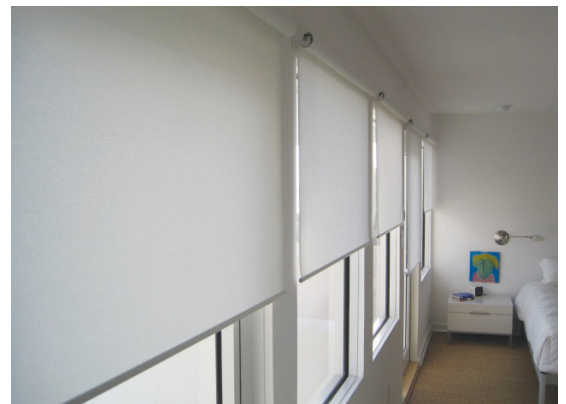
QMotion® Qfree Manual Shades

Clutch free manual shades coordinate beautifully with all QMotion® products. Each Qfree shade is designed with the same quality engineering that you find in all QMotion shades. This allows the shade with or without fascia to have a balanced and fluid motion.

- Excellent solution for child safety
- Fully adjustable upper limit
- Integrated braking system
- Evenly balanced allows for adjustments from any location on the shade
- Available in 5 accent trim colors
- Fully compatible with QMotion® automated shades and brackets
- Future automation upgrades are possible*
- Minimum width of 14" wide
- Shades up to 120" wide x 120" high
- Easily positioned to be forward or reverse roll
- Subtle audible cues simplify adjustments
- Easy fabric change
- Same small, uniform 7/16" light gap as automated QMotion® shades



**Minimum motorized shade sizes will apply (22" for battery power)*

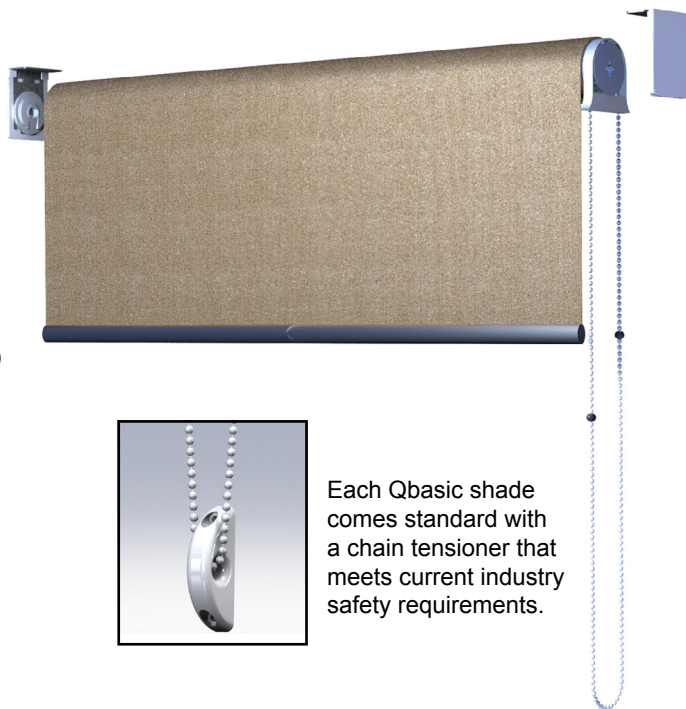




QMotion® Qbasic Manual Shades

Qbasic clutch type manual shade is anything but your basic shade. Offering quality you can see and feel with the affordability you desire, Qbasic delivers the styles you want that surpass similar clutch type manual shades.

- Easy pull gear reduction clutch allows for smoother operation
- Reversible fascia allows for adjustment to standard or reverse roll
- Minimum width of 7" wide
- Shades up to 120" wide x 144" high
- Continuous looped beaded chain 56" or 96" drop (from clutch to bottom of loop)
- Quick roller tube release from end bracket for easy removal
- Equal light gaps on each side of the shade
- Available in 3 clutch sizes (See Chart 1)
- Stainless steel or nickel plated chain upgrade available



Each Qbasic shade comes standard with a chain tensioner that meets current industry safety requirements.

Bracket Dimension

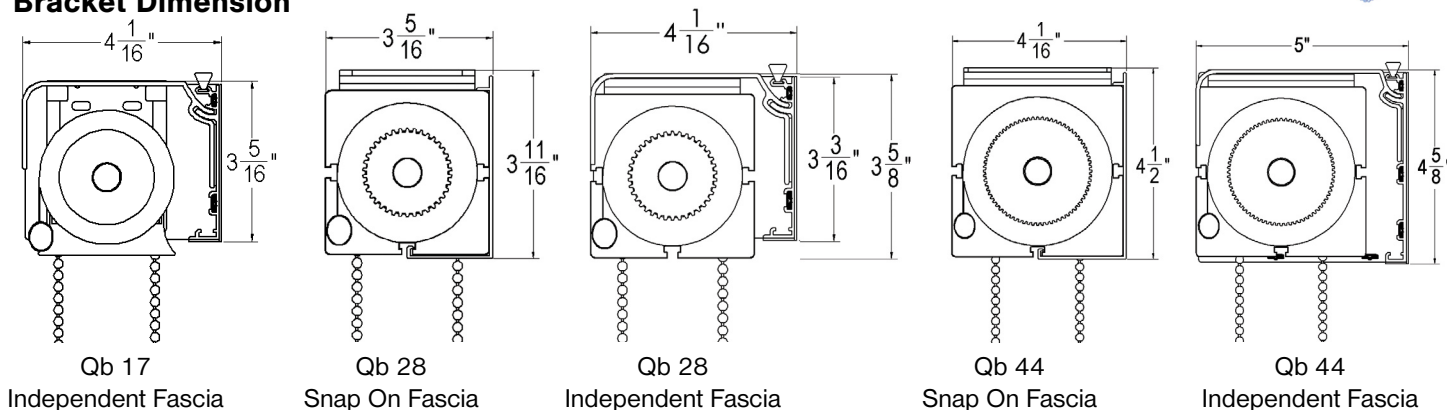


Chart 1

Qbasic Clutch Specifications	Qb 17	Qb 28	Qb 44
Width	7" - 72"	72" - 108"	108" - 120"
Maximum Height	144"	144"	144"
Maximum lbs	17 1/2	28 1/2	44
Light Gap	9/16"	9/16"	3/4"
Minimum Inside Depth	3 3/16"	3 9/16"	4 3/8"
Tube Diameter	1 1/2"	1 1/2"	2"
Gear Reduction	20%	30%	40%
Snap On Fascia Available	No	Yes	Yes
Independent Fascia Available	Yes	Yes	Yes



Limited Warranty

HomeRun Holdings Corporation, (the "Manufacturer") warrants Qbasic and Qfree window shade product will be free from defects in materials and workmanship for **5 years**, beginning from the date first sold to the commercial or residential consumer who has, or intends to, use the product as evidenced by such consumer's proof of purchase:

Exclusions From this Limited Warranty: This limited warranty shall be null and void and no part of it shall apply if any one of the following occur: 1) the product has not been properly installed by a qualified installer in accordance with all manufacturer specifications; 2) the product has been subject to unauthorized service; 3) the product has been subject to miss-handling, misuse, or abuse; 4) the product has been modified; 5) the product has suffered damage resulting from vandalism, fire, earthquake, acts of nature, or any other cause which the product was not designed to withstand; 6) the product has been used, or attempted to be used, for other than the customary usage or for other than the product's intended use; 7) the product has not been maintained

This Limited Warranty extends only to the original owner. This Limited Warranty is not transferable. This Limited Warranty does not cover normal wear or tear or deterioration which occurs with the passage of time.

No employee, distributor, dealer, agent or representative is authorized to change the terms of this Limited Warranty in any way, to extend the warranty time periods, or to grant additional warranties, and no attempt to do any of the foregoing will be binding upon Manufacturer.

IF THIS LIMITED WARRANTY COVERS A CONSUMER PRODUCT, AS DEFINED BY THE MAGNUSON-MOSS WARRANTY ACT, THEN NO WARRANTIES, EXPRESSED OR IMPLIED (INCLUDING, BUT NOT LIMITED TO, THE WARRANTY OF MERCHANTABILITY OR FITNESS FOR A PARTICULAR PURPOSE) SHALL EXTEND BEYOND THE APPLICABLE TIME PERIOD STATED IN BOLD FACE TYPE ABOVE. IF THIS LIMITED WARRANTY COVERS A COMMERCIAL PRODUCT, THEN THIS LIMITED WARRANTY IS IN LIEU OF ALL OTHER REPRESENTATIONS, GUARANTEES, OR OTHER EXPRESS OR IMPLIED WARRANTIES (INCLUDING, WITHOUT LIMITATION, THE WARRANTY OF MERCHANTABILITY OR FITNESS FOR A PARTICULAR PURPOSE) AND ALL SUCH OTHER EXPRESSED OR IMPLIED WARRANTIES ARE HEREBY SPECIFICALLY DISCLAIMED.

Claims for defects in material and workmanship covered by this Limited Warranty must be made in writing to the dealer from whom the product was originally first purchased within the 5year warranty period. Manufacturer may either send a service representative or have the product returned to Manufacturer's facility, at Buyer's expense, for inspection. If judged by Manufacturer to be defective in material or workmanship, and to otherwise be covered by this Limited Warranty, the product will be replaced or repaired at the option of Manufacturer, in its sole and absolute discretion, free from all charges except authorized transportation and replacement labor. Replacement labor, transportation costs, and any other costs or charges by the dealer, wholesaler, distributor, contractor, or installer are not covered by this Limited Warranty. Any replacement unit may be a model determined by Manufacturer to be equivalent to the defective model, or a product that has been factory refurbished. The remainder of original warranty period will apply to any repair/replacement unit.

THE REMEDIES OF BUYER SET FORTH IN THIS LIMITED WARRANTY ARE EXCLUSIVE AND ARE IN LIEU OF ALL OTHER REMEDIES. THE LIABILITY OF MANUFACTURER WHETHER IN CONTRACT, TORT, UNDER ANY WARRANTY OR OTHERWISE, SHALL NOT EXTEND BEYOND ITS OBLIGATION TO REPAIR OR REPLACE, AT ITS OPTION, ANY PRODUCT OR PART FOUND BY MANUFACTURER TO BE DEFECTIVE IN MATERIAL OR WORKMANSHIP AND OTHERWISE SUBJECT TO THIS LIMITED WARRANTY. MANUFACTURER SHALL NOT BE RESPONSIBLE FOR ANY DIRECT, INDIRECT, SPECIAL OR CONSEQUENTIAL DAMAGES OF ANY NATURE.

This Warranty gives specific legal rights and Buyer may have other rights, which may vary from state to state. However, some states do not allow limitations on how long an implied warranty lasts or the exclusion or limitation of incidental or consequential damages so the above limitations or exclusions may not apply specific buyers.

