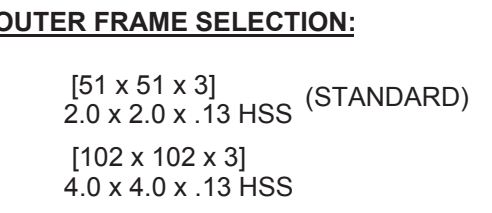


- NOTES:**
- DIMENSIONS ARE IN INCHES, DIMENSIONS SHOWN IN { } ARE IN MILLIMETERS.
  - SEE SHEET 2 FOR DOOR PANEL INFILL OPTIONS.
  - SEE SHEET 3 FOR PASSAGE SET / DOOR CLOSER OPTIONS.
  - SEE SHEET 4 FOR LOCK OPTIONS AND GENERAL CONSTRUCTION DETAILS
  - STANDARD 4' [1219mm] x 8' [2438mm] SHOWN, CUSTOM SIZING AVAILABLE APON REQUEST
  - STANDARD FINISH, HOT DIPPED GALVANIZED ON ALL STEEL COMPONENTS
  - OPTIONAL POWDER COAT PAINT FINISH AVAILABLE, RAL# MUST BE SPECIFIED AT TIME OF ORDER.

**NOTE:**  
GATE IS SHOWN WITH STANDARD 2" [51] HSS OUTER FRAME AND 12" [305] x 4" [102] BASE PLATES. OPTIONAL BASE PLATE SIZES AVAILABLE SEE BASE PLATE OPTIONS ABOVE. IF OPTIONAL 4" [102] HSS OUTER FRAME IS SELECTED, BASE PLATES WILL BE 8" [203] x 8" [203] x .5" [13]

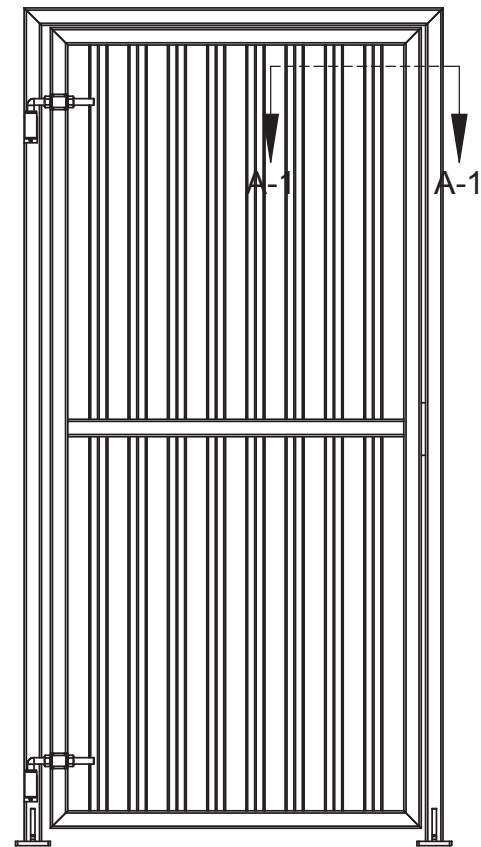
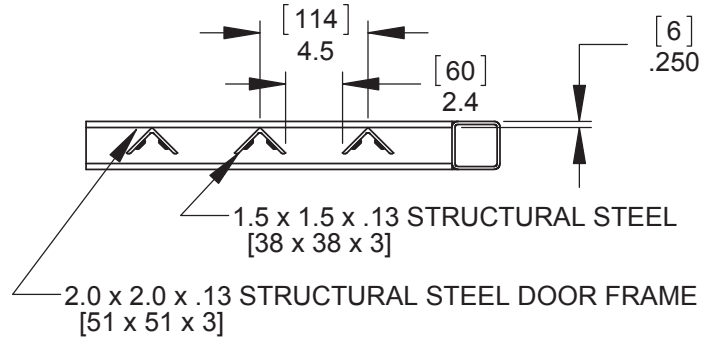


**WALLACE INTERNATIONAL**

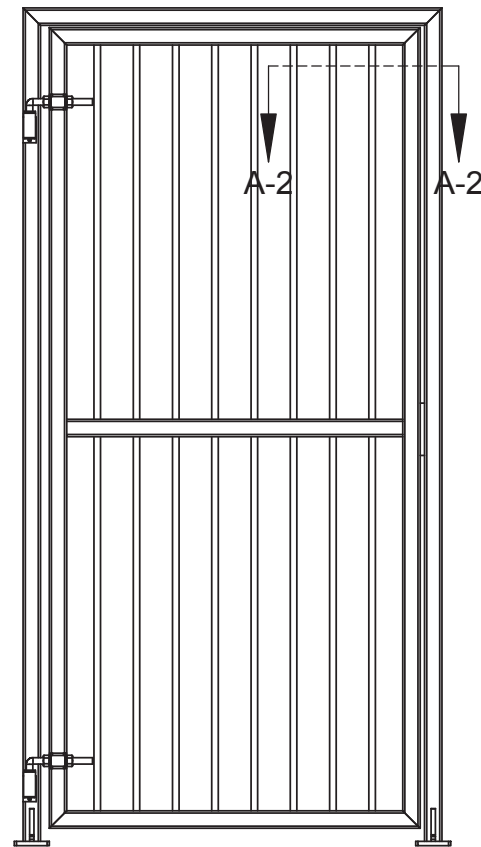
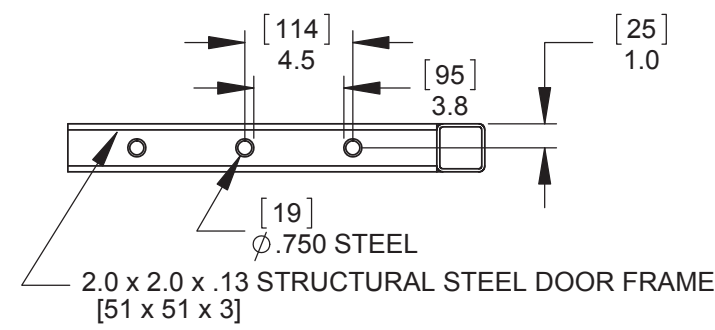
90 Lowson Crescent,  
Winnipeg, Manitoba, Canada R3P 2H8  
Phone: 1-866-300-1110  
Fax: 1-204-284-1868  
Web: www.wallaceintl.com

Description:		<b>PRE-HUNG MAN GATE</b>	
		STANDARD & OPTION DETAIL DRAWING	
Customer / Project Name:			
Finish:		SEE NOTES	
Date:		1/19/2012	
Drawing No.:		Rev.:	Sheet:
			1 of 4

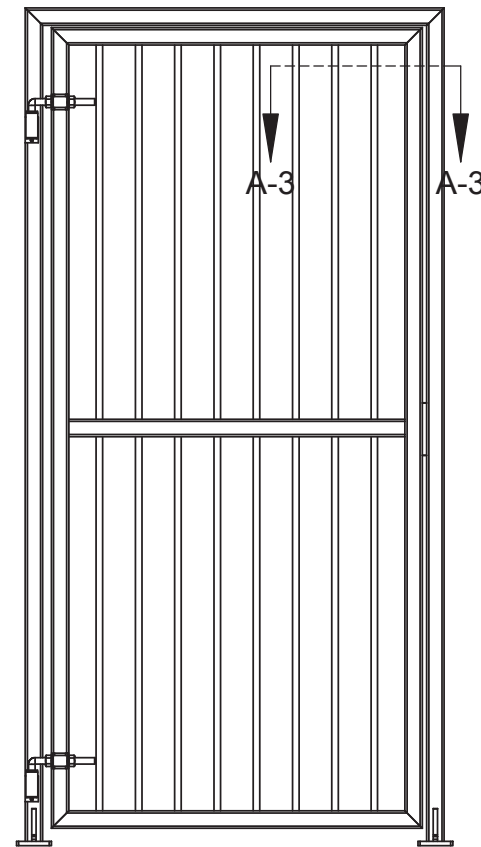
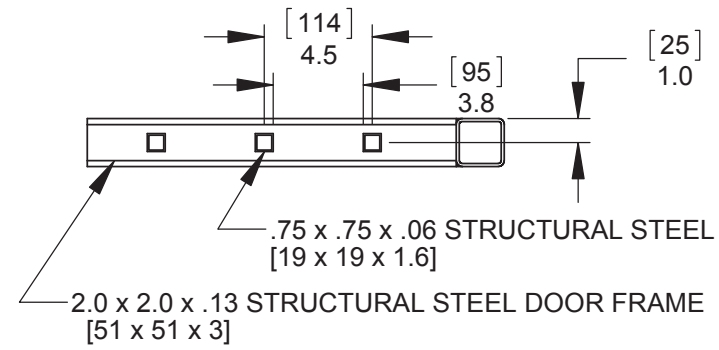
**DETAIL A-1** 1.5 x 1.5 x .13 STEEL PICKETS  
[38 x 38 x 3]



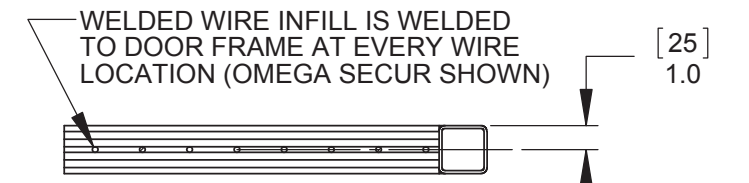
**DETAIL A-2**  $\phi$ .75 x .06 ROUND STEEL PICKETS  
[ $\phi$ 19 x 1.6]



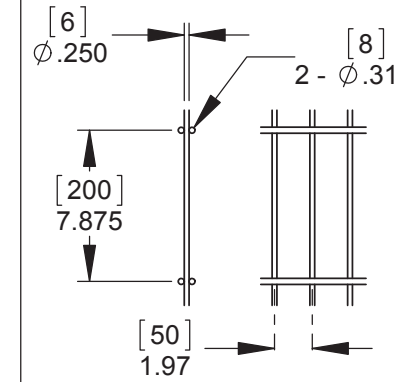
**DETAIL A-3** .75 x .75 x .06 SQUARE STEEL PICKETS  
[19 x 19 x 3]



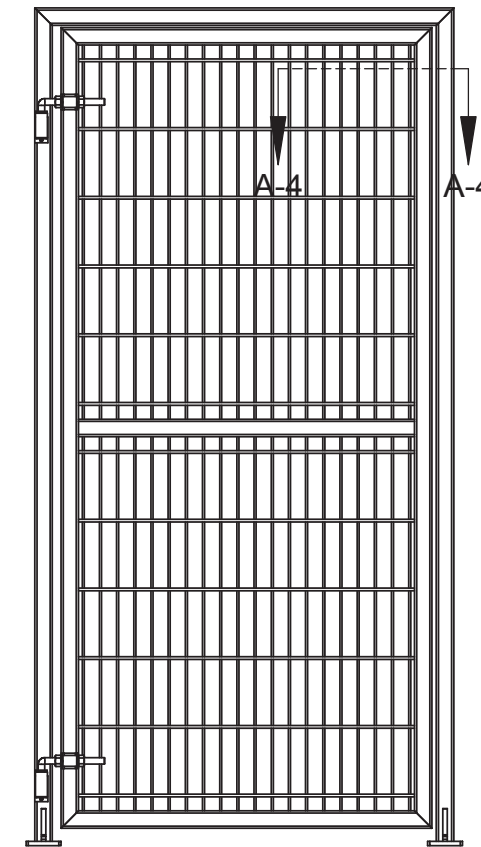
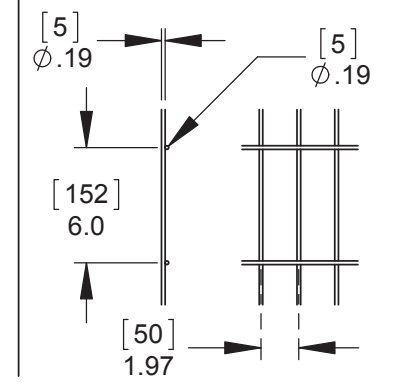
**DETAIL A-4** WELDED WIRE INFILL



**TYPE 1 - OMEGA SECUR**

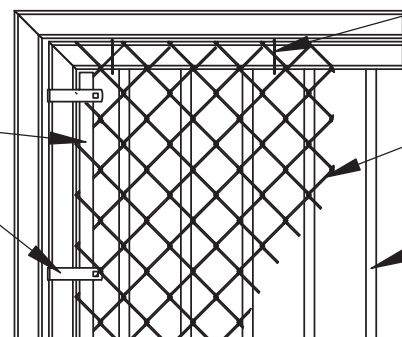


**TYPE 2 - TRITON**



**DETAIL A-5** INFILL CHAINLINK OVERLAY

DOOR VERTICAL SIDE FRAMES  
TENSION BARS / TENSION BANDS  
SPACED @ 12.0" [305mm] MAX.



TOP / BOTTOM / CENTER HORIZONTAL  
DOOR FRAME TUBES, 9ga. GALVANIZED  
FABRIC TIE WIRES SPACED @ 12" [305mm] MAX

9ga GALVANIZED CHAINLINK FABRIC

REFERENCE OF MAN GATE DOOR  
WITH INFILL.



90 Lawson Crescent,  
Winnipeg, Manitoba, Canada R3P 2H8  
Phone: 1-866-300-1110  
Fax: 1-204-284-1868  
Web: www.wallaceintl.com

Description:

**PRE-HUNG MAN GATE**

DOOR INFILL OPTIONS

Customer / Project Name:

Finish:

SEE NOTES - SHEET 1

Date:

1/19/2012

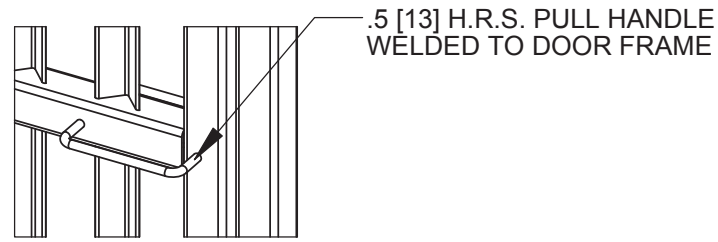
Drawing No.

Rev.

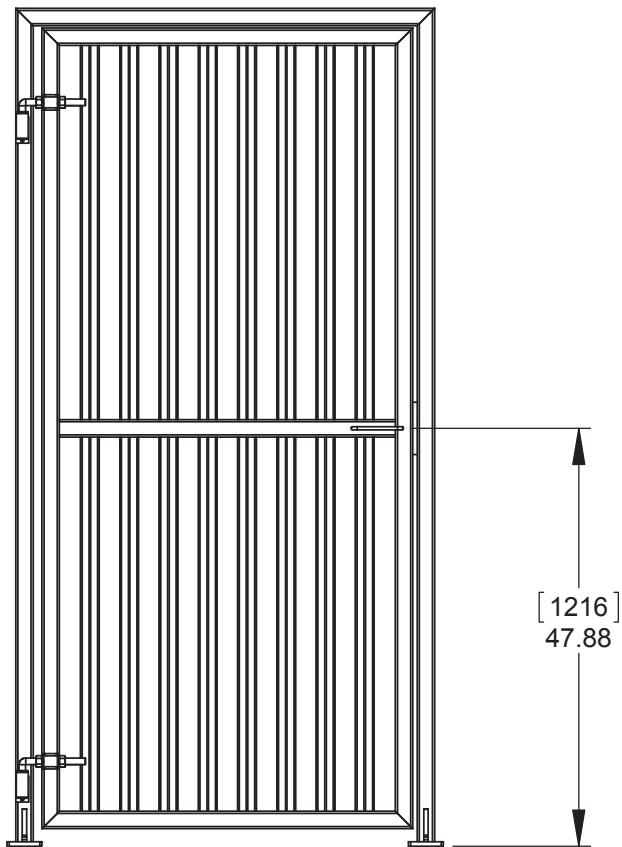
Sheet:

2 of 4

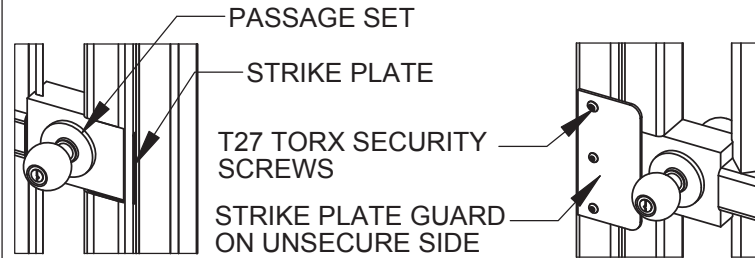
**DETAIL B-1 - PULL / PUSH HANDLE**



INTERIOR HANDLE  
EXTERIOR HANDLE

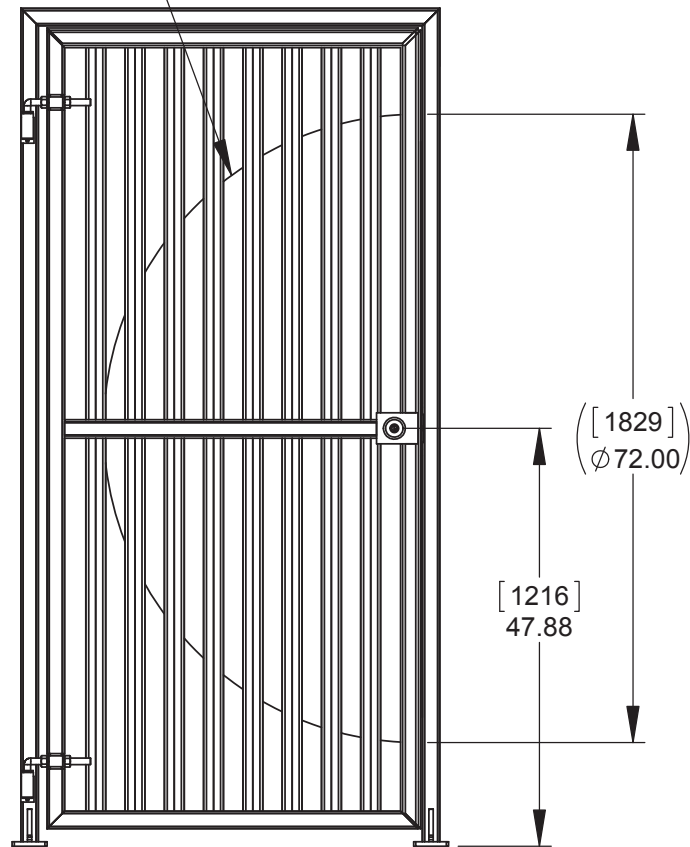


**DETAIL B-2 - PASSAGE SET**

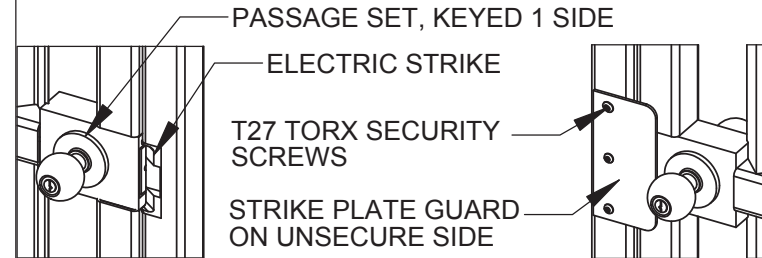


KEYED ONE SIDE / FREE EXIT OPPOSITE  
KEYED BOTH SIDES  
CUSTOM \_\_\_\_\_  
REACH TROUGH GUARD

REFERENCE OF OPTIONAL 16ga. STEEL REACH THROUGH GUARD WELDED TO DOOR FRAME AND INFL

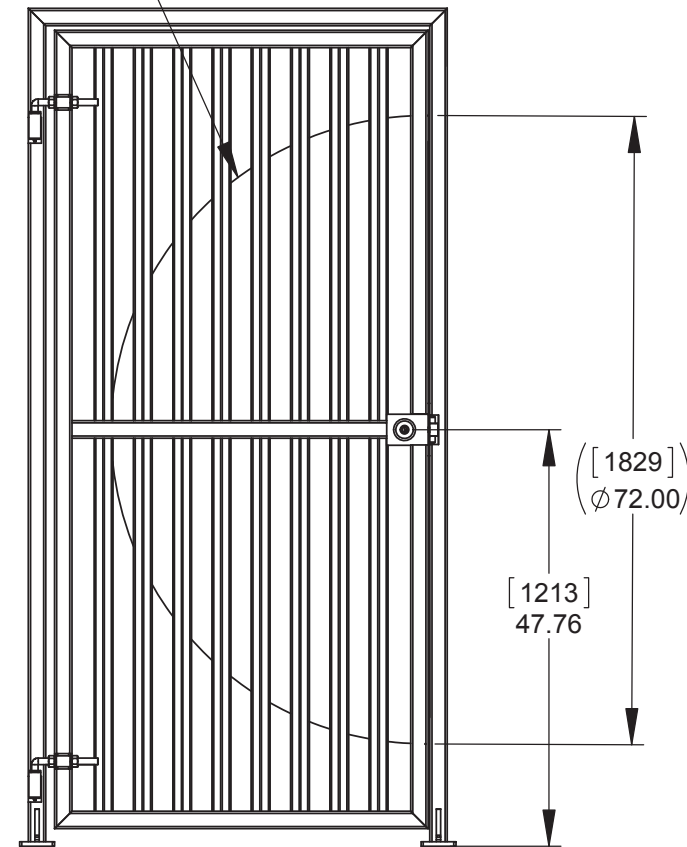


**DETAIL B-3 - ELECTRIC STRIKE**



VON DUPRIN MODEL 5100 (STANDARD)  
CUSTOM \_\_\_\_\_  
REACH TROUGH GUARD

REFERENCE OF OPTIONAL 16ga. STEEL REACH THROUGH GUARD WELDED TO DOOR FRAME AND INFL

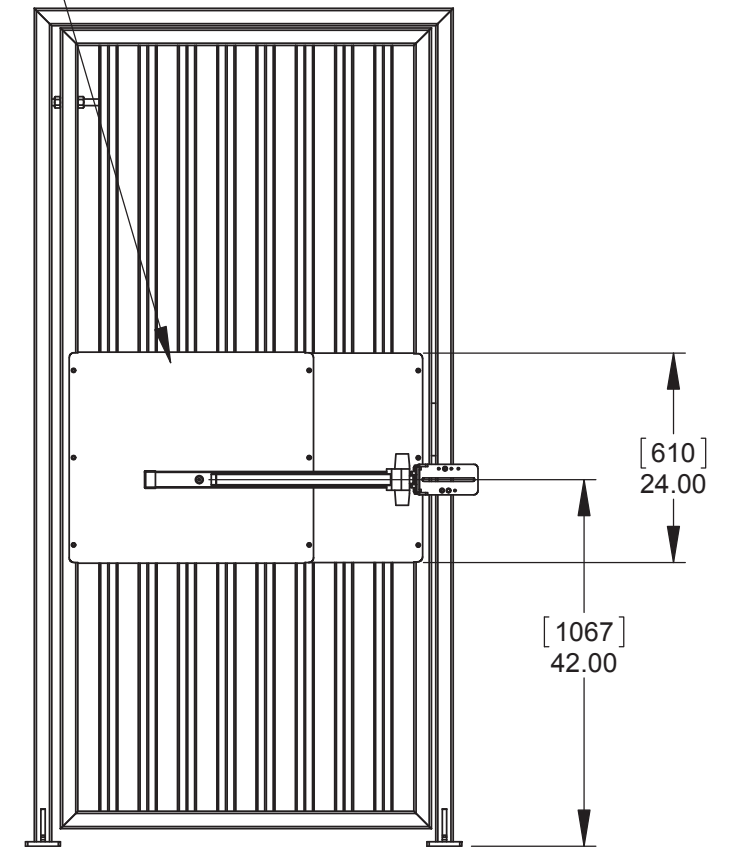


**DETAIL B-4 - RIM DEVICE (PANIC BAR)**

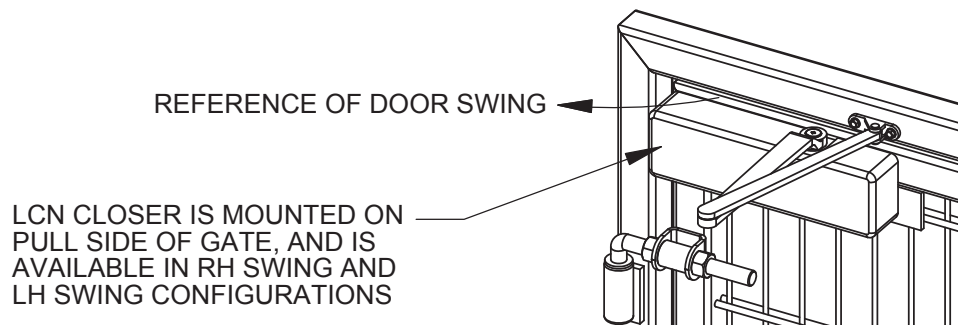


DAC INDUSTRIES, 6030 RIM DEVICE (STANDARD)  
MOUNTING / GUARD PLATE  
LOCK BOX  
CUSTOM \_\_\_\_\_

REFERENCE OF STEEL MOUNTING / GUARD PLATE

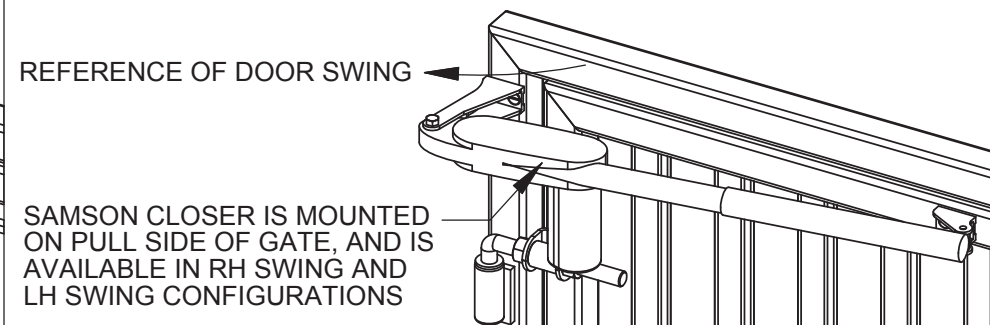


**DETAIL C-1 LCN 4040XP, HEAVY DUTY HYDRAULIC DOOR CLOSER**



LCN CLOSER IS MOUNTED ON PULL SIDE OF GATE, AND IS AVAILABLE IN RH SWING AND LH SWING CONFIGURATIONS

**DETAIL C-2 LOCINOX SAMSON MECHANICAL DOOR CLOSER**



SAMSON CLOSER IS MOUNTED ON PULL SIDE OF GATE, AND IS AVAILABLE IN RH SWING AND LH SWING CONFIGURATIONS



90 Lowson Crescent,  
Winnipeg, Manitoba, Canada R3P 2H8  
Phone: 1-866-300-1110  
Fax: 1-204-284-1868  
Web: www.wallaceintl.com

Description:		<b>PRE-HUNG MAN GATE</b>	
		PASSAGE SETS / DOOR CLOSER OPTIONS	
Customer / Project Name:			
Finish:	SEE NOTES - SHEET 1	Date:	1/19/2012
Drawing No.		Rev.	Sheet: 3 of 4

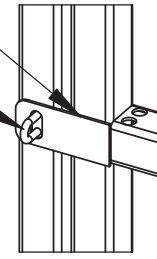
**DETAIL D-1 - PADLOCK LATCH PLATE**

.25 [6] PADLOCK LATCH PLATE WELDED TO DOOR FRAME

.25 [6] PADLOCK HASP WELDED TO OUTER FRAME

SECURE SIDE

PUBLIC SIDE



**DETAIL D-2 - GL1 ELECTROMECHANICAL LOCK**

SECURATRON GL1 LOCK MOUNTED TO OUTER FRAME USING 1/4-20 T27 TORX SECURITY SCREWS

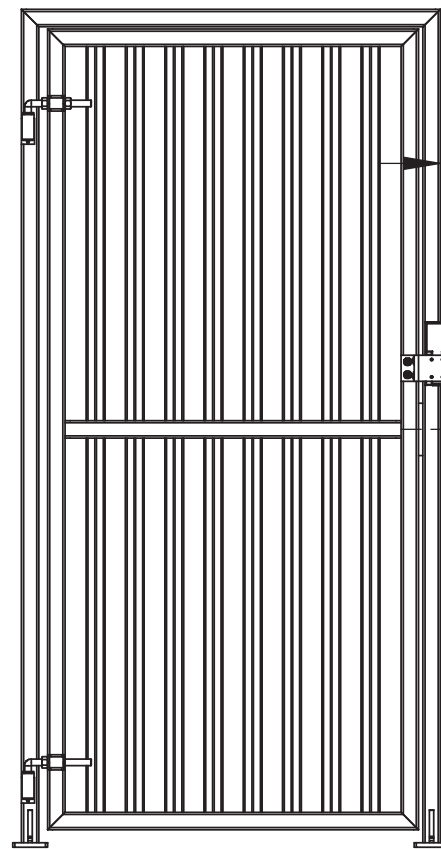
.25 [6] LOCK MOUNTING PLATE WELDED TO OUTER GATE FRAME

.25 [6] ADJUSTABLE LUG MOUNTING PLATE FASTENED TO DOOR SECURE SIDE OF DOOR FRAME WITH 3/8-16 BOLTS

**NOTE:** ABLOY LOCK AND KEY FOR MANUAL RELEASE LOCATED ON SIDE OF GL1 LOCK.



[114]  
4.50



[25]  
1.00

[76]  
3.00

[152]  
6.00

**DETAIL D-3 - 1050D - ELECTROMECHANICAL LOCK**

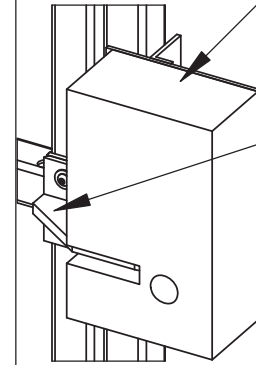
SOUTHERN STEEL 1050D LOCK

.125 [3] STEEL LOCK MOUNT

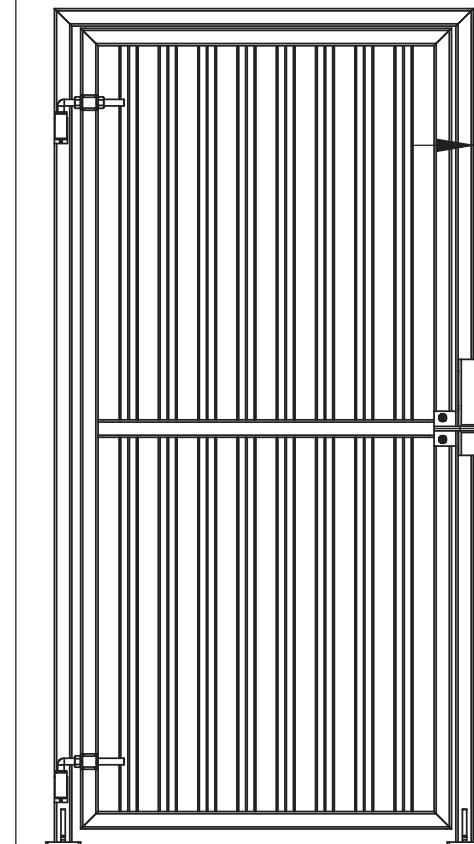
.500 [13] ADJUSTABLE LOCK LUG ASSEMBLY FASTENED TO DOOR SECURE SIDE OF DOOR FRAME WITH 3/8-16 BOLTS

KEYED 1 SIDE ONLY

KEYED BOTH SIDES



[102]  
4.00



[143]  
5.63

[202]  
7.94

[279]  
11.00

**DETAIL E - HEAVY DUTY SERVICABLE HINGES**

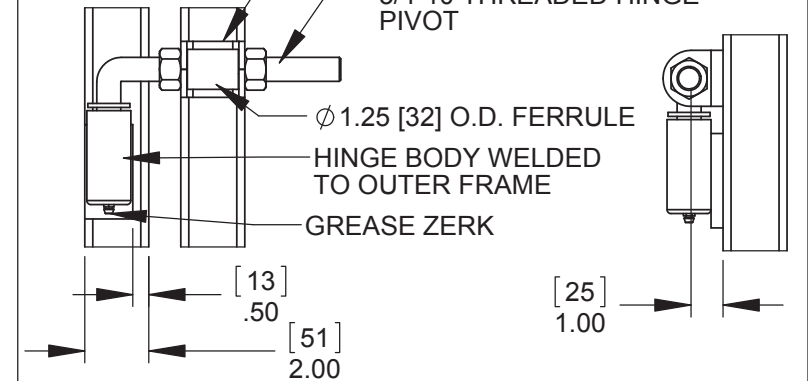
.25 [6] HINGE FERRULE BRACKET WELDED TO DOOR FRAME

3/4-10 THREADED HINGE PIVOT

Ø 1.25 [32] O.D. FERRULE

HINGE BODY WELDED TO OUTER FRAME

GREASE ZERK



[13]  
.50

[51]  
2.00

[25]  
1.00

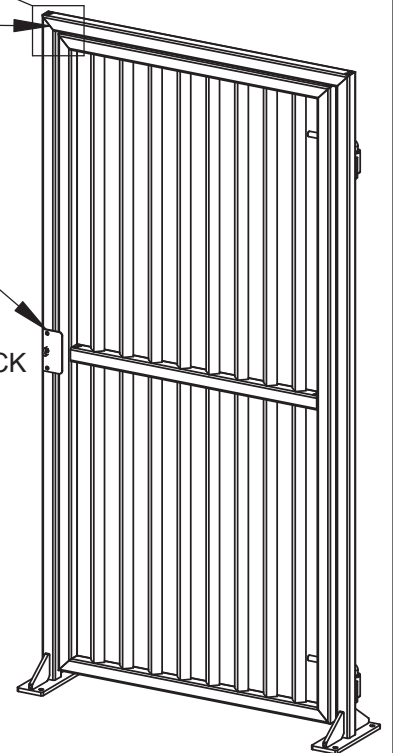
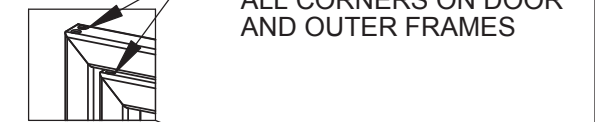
**DETAIL E-2 - STANDARD FRAME DETAILS**

2 - .63 [16] DRAIN HOLES ALL CORNERS ON DOOR AND OUTER FRAMES

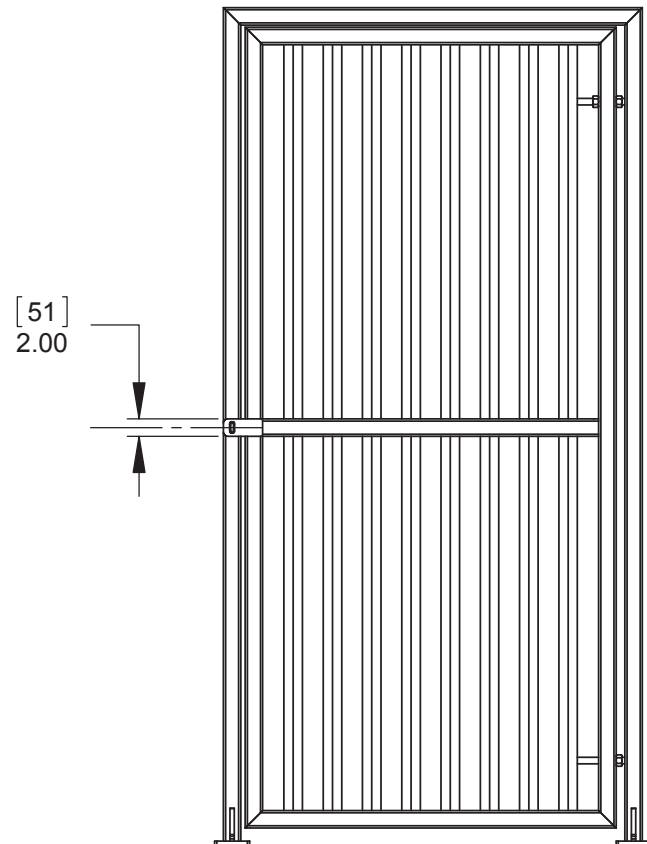
ALL FRAME AND DOOR WELDS ARE GROUND SMOOTH PRIOR TO PLATING / PAINTING

ALL GATES ARE SUPPLIED WITH A .25" [6] DOOR STOP / STRIKE GUARD PLATE, EXCEPT GATES WITH PADLOCK LATCH PLATE INSTALLED AT  $\phi$  OF DOOR.

SECURED TO OUTER FRAME WITH 3 - 1/4-20 TORX T27 SECURITY SCREWS.



**NOTE:** PADLOCK NOT SUPPLIED, PLATE CAN BE LOCATED ON PUBLIC OR SECURE SIDE OF DOOR



[51]  
2.00



90 Lawson Crescent,  
Winnipeg, Manitoba, Canada R3P 2H8  
Phone: 1-866-300-1110  
Fax: 1-204-284-1868  
Web: www.wallaceintl.com

Description:  
**PRE-HUNG MAN GATE**  
LOCK OPTIONS / GENERAL CONSTRUCTION DETAILS

Customer / Project Name:

Finish: SEE NOTES - SHEET 1  
Date: 1/19/2012

Drawing No. Rev. Sheet: 4 of 4