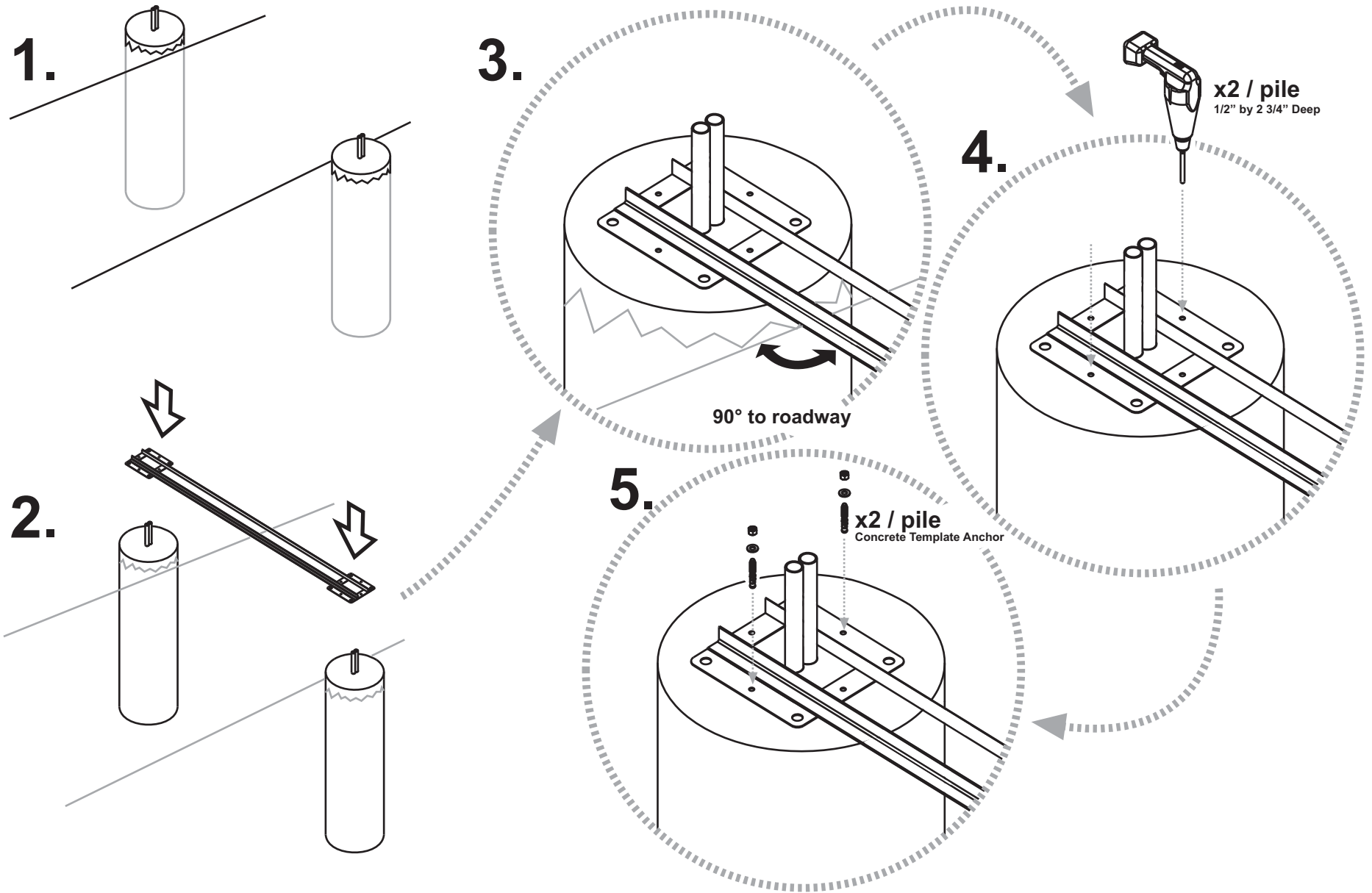
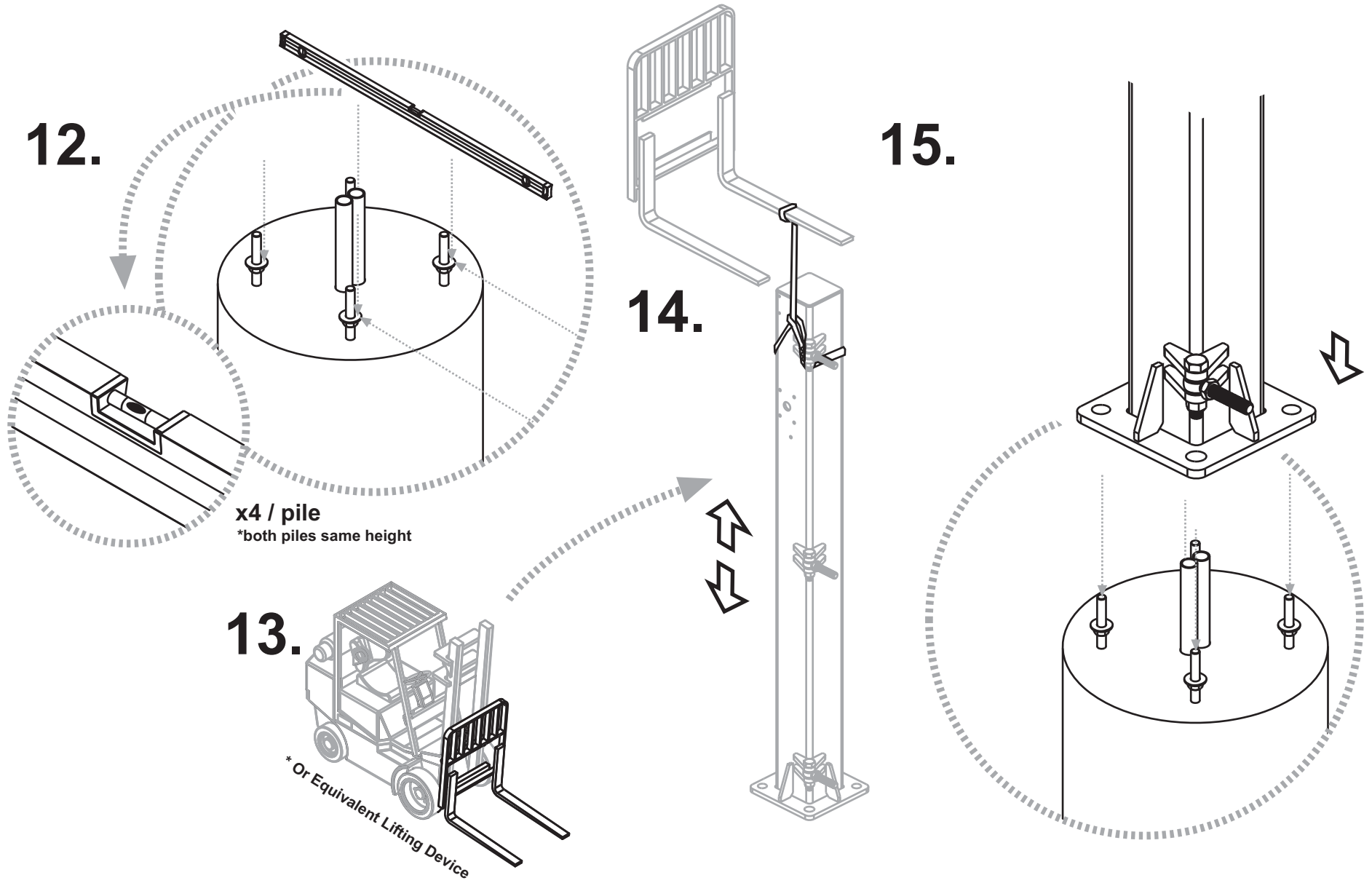
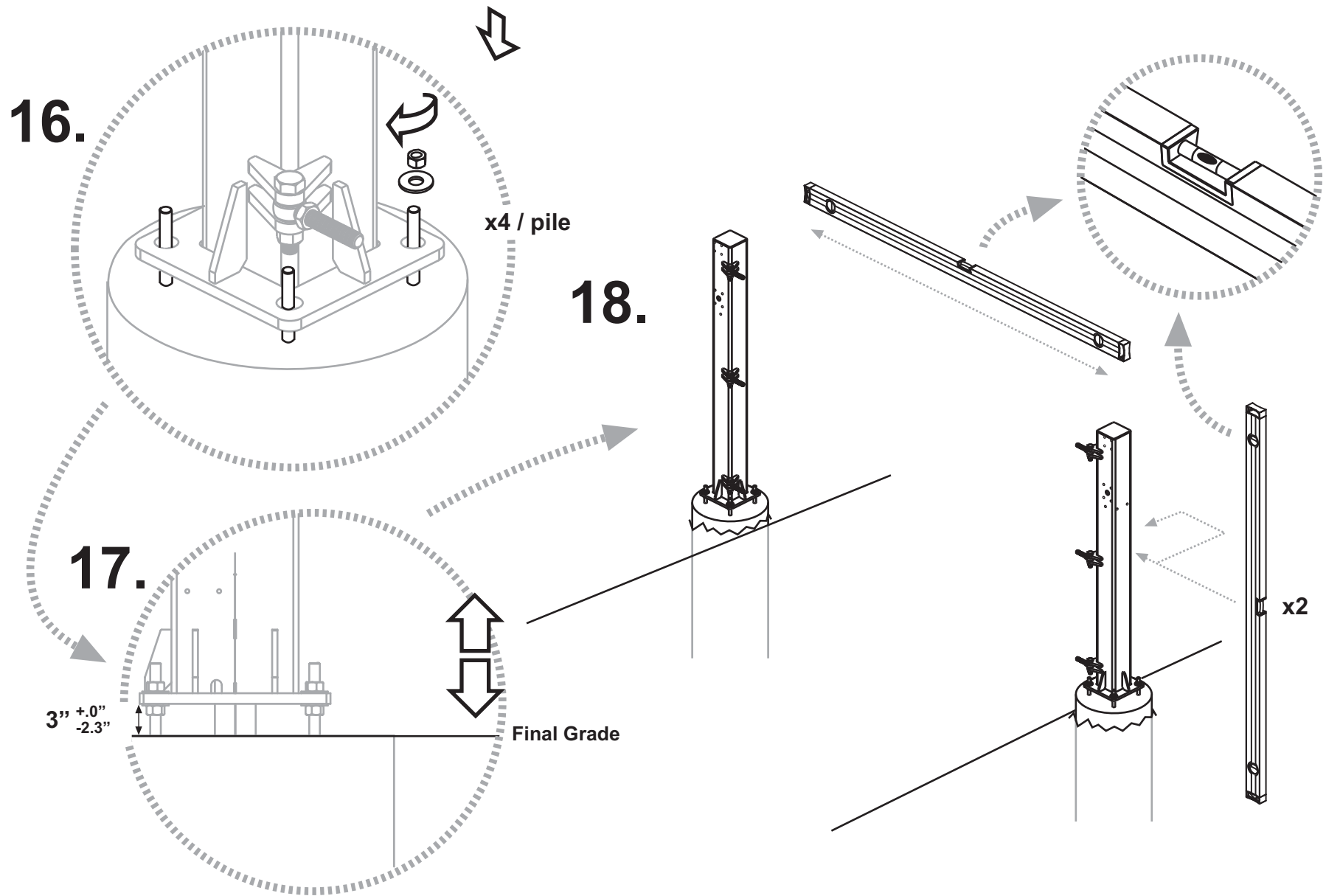


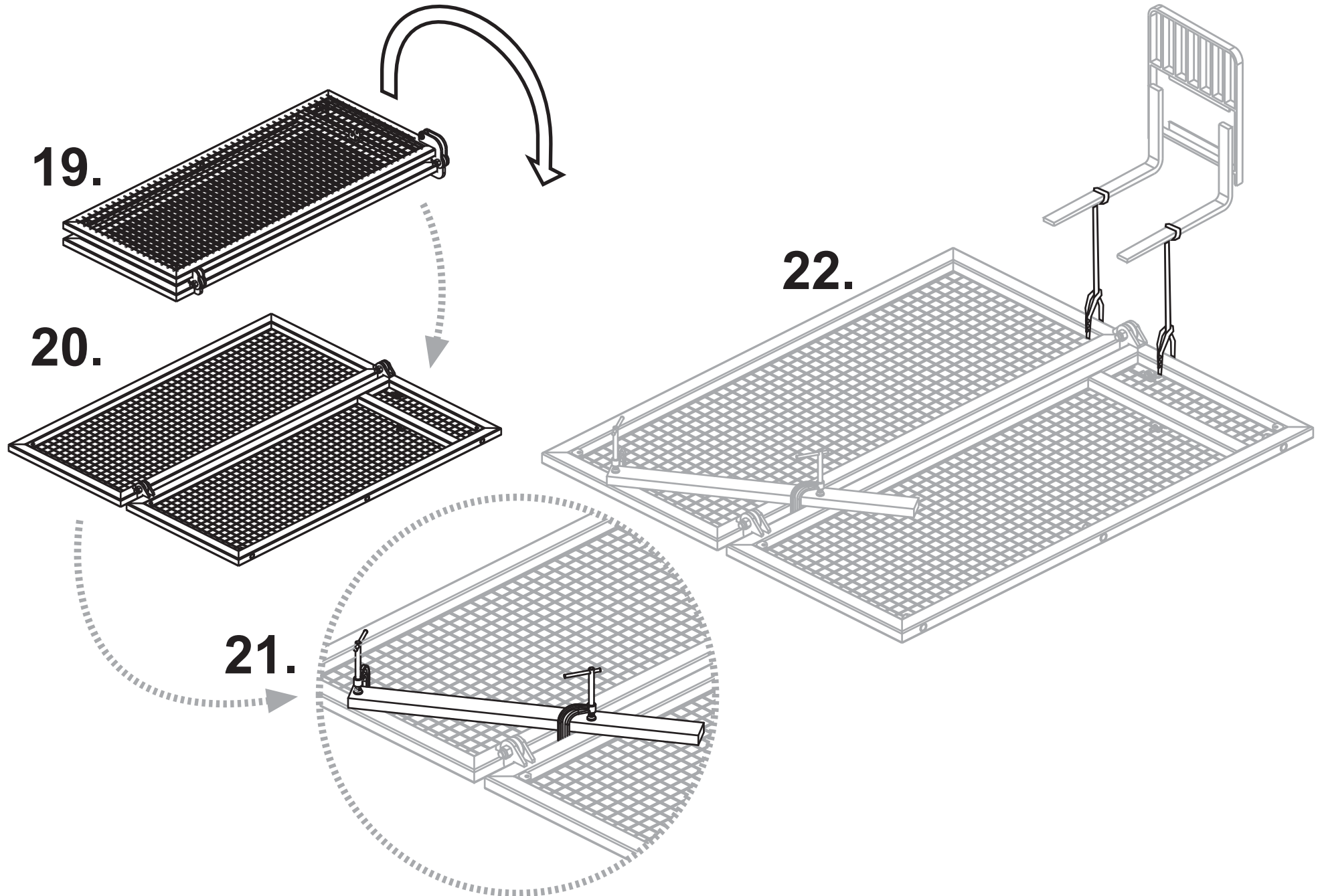
# FoldSmart XT Installation Guide

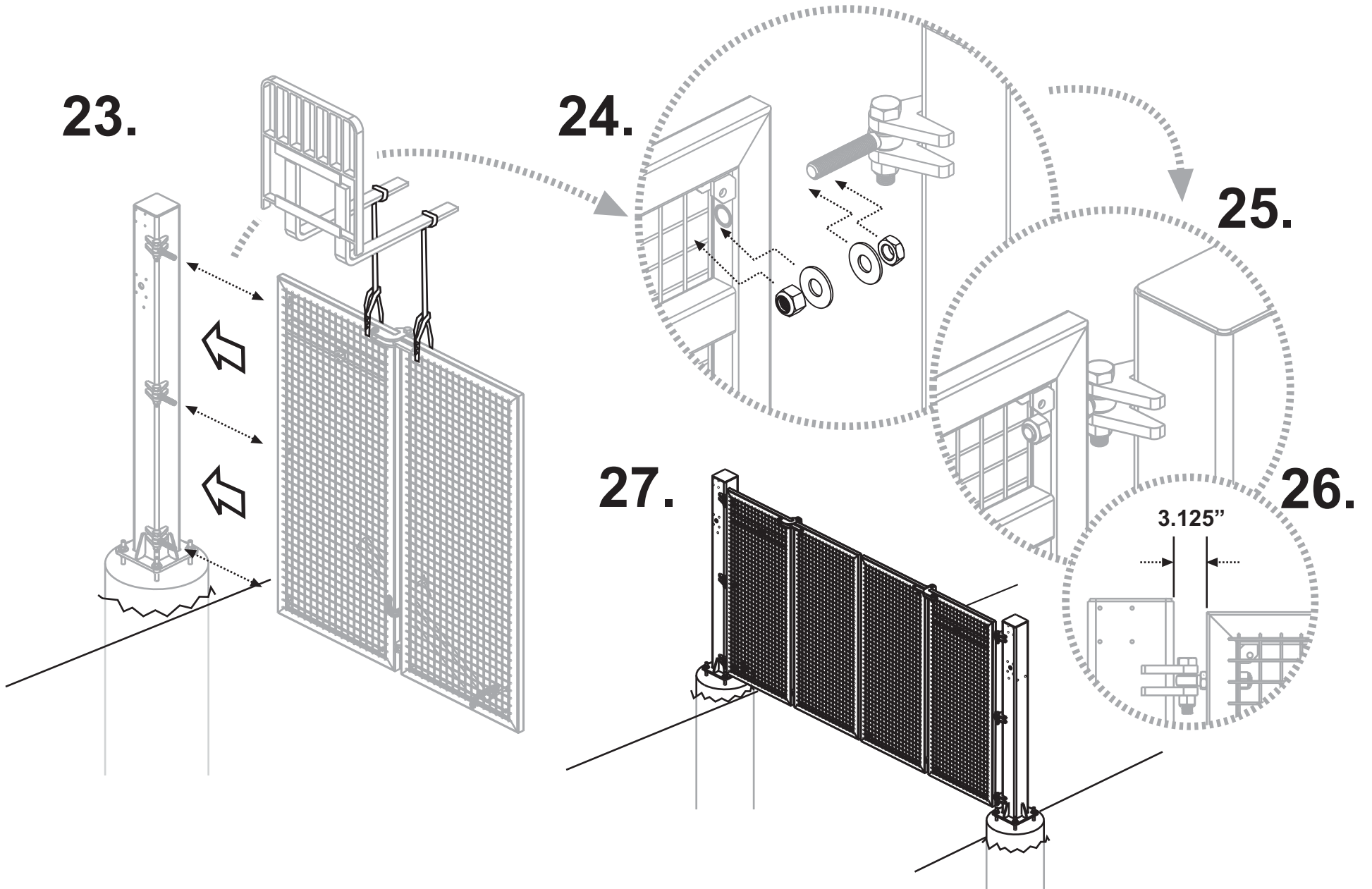


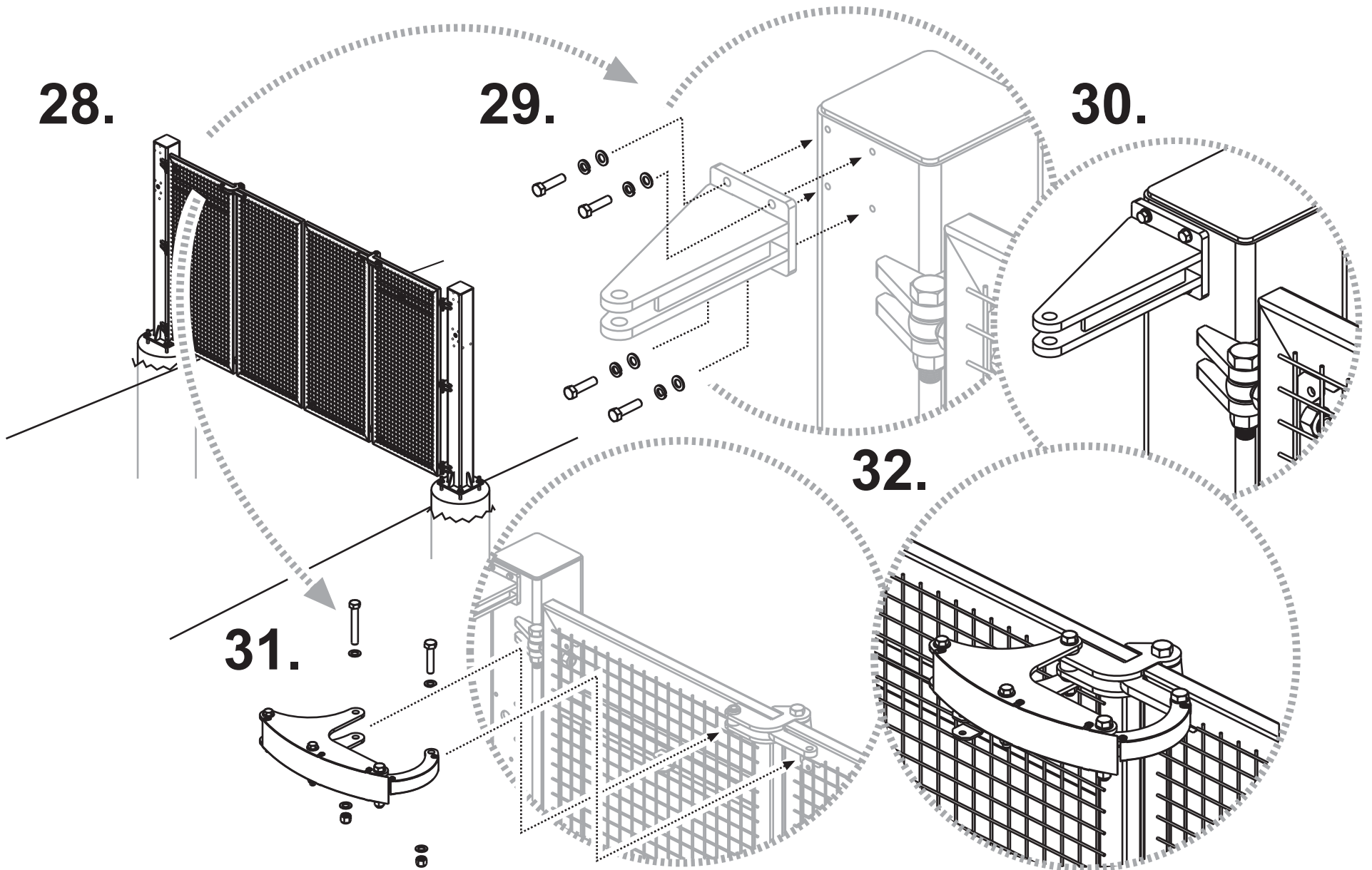




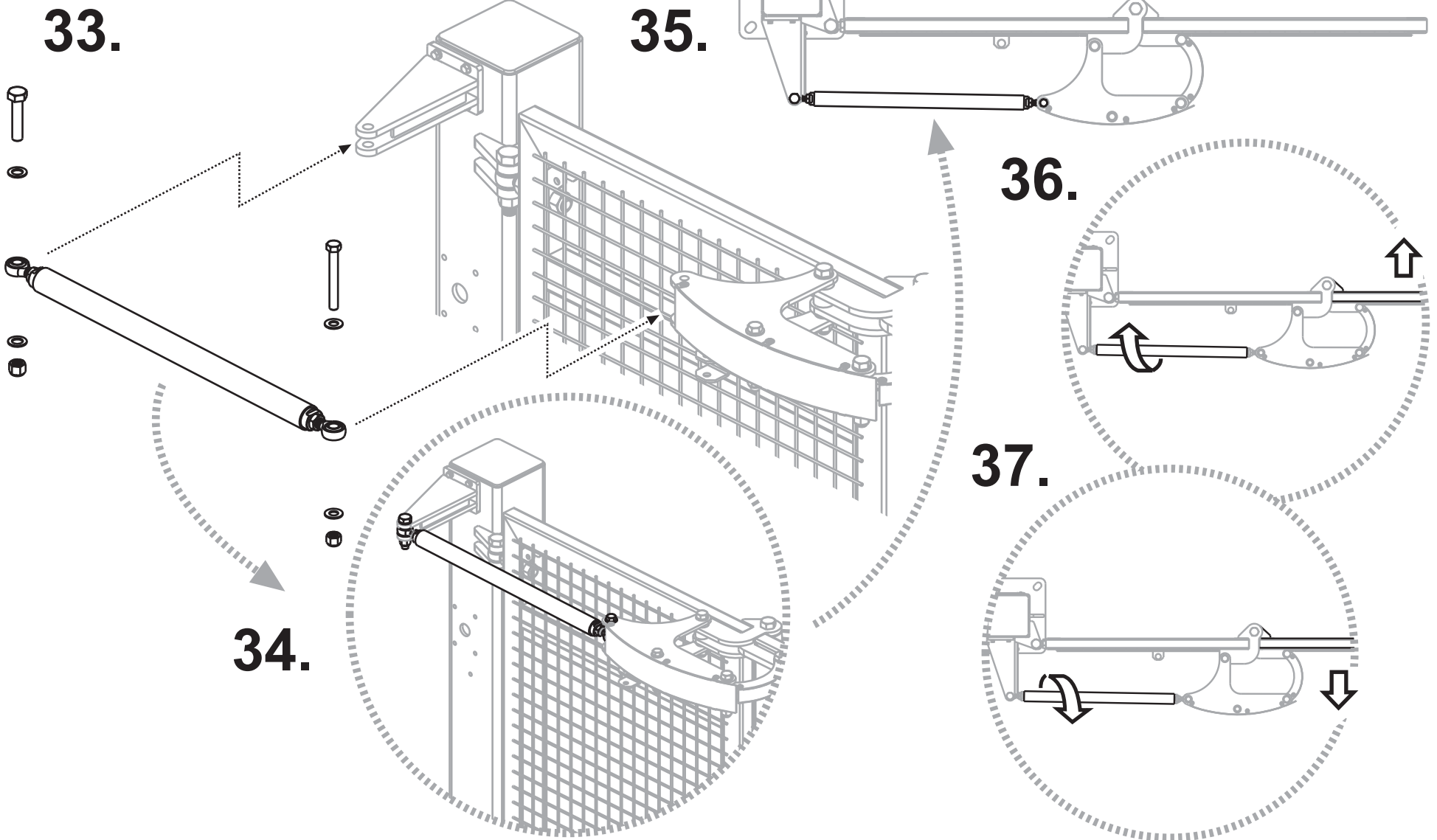




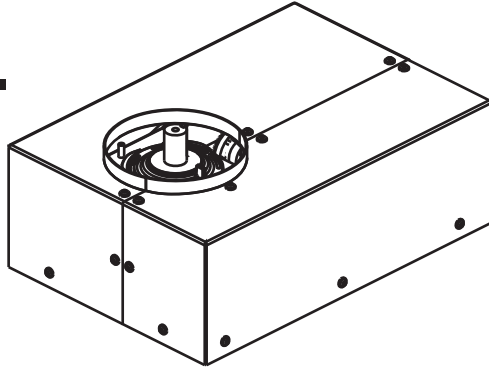




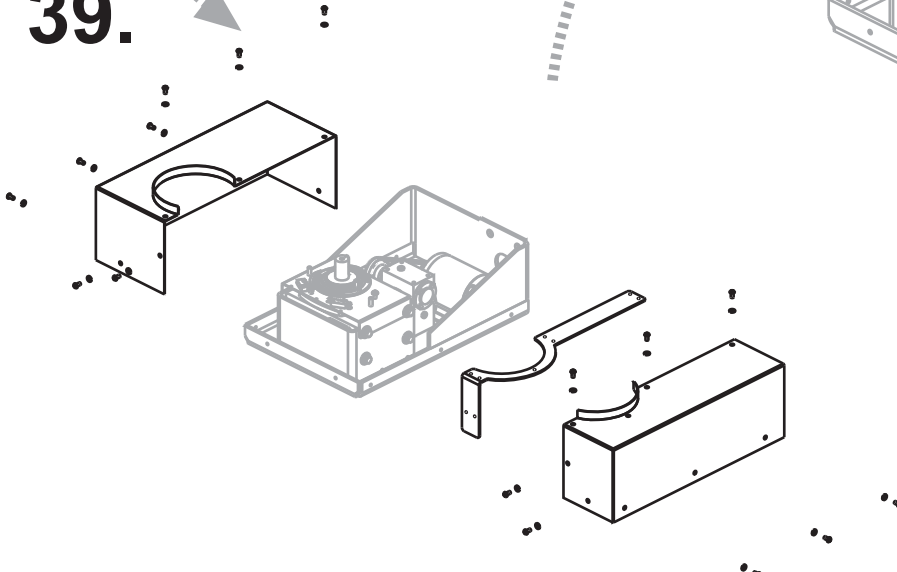




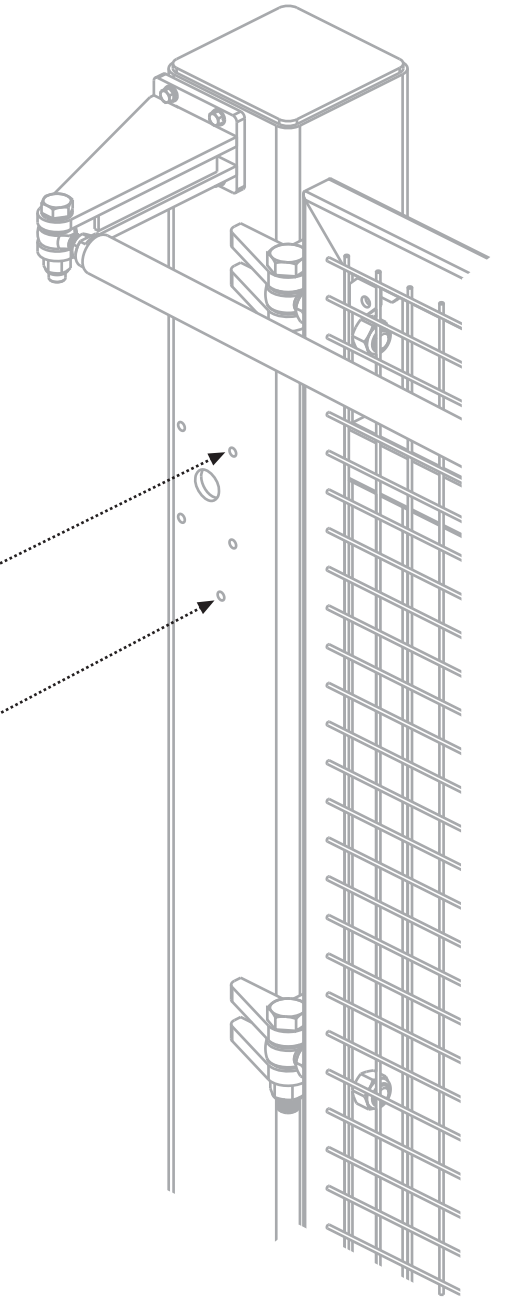
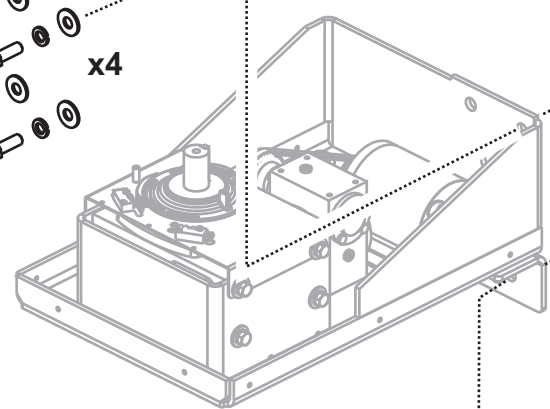
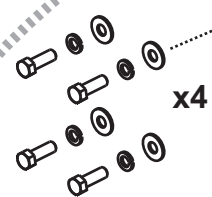
**38.**

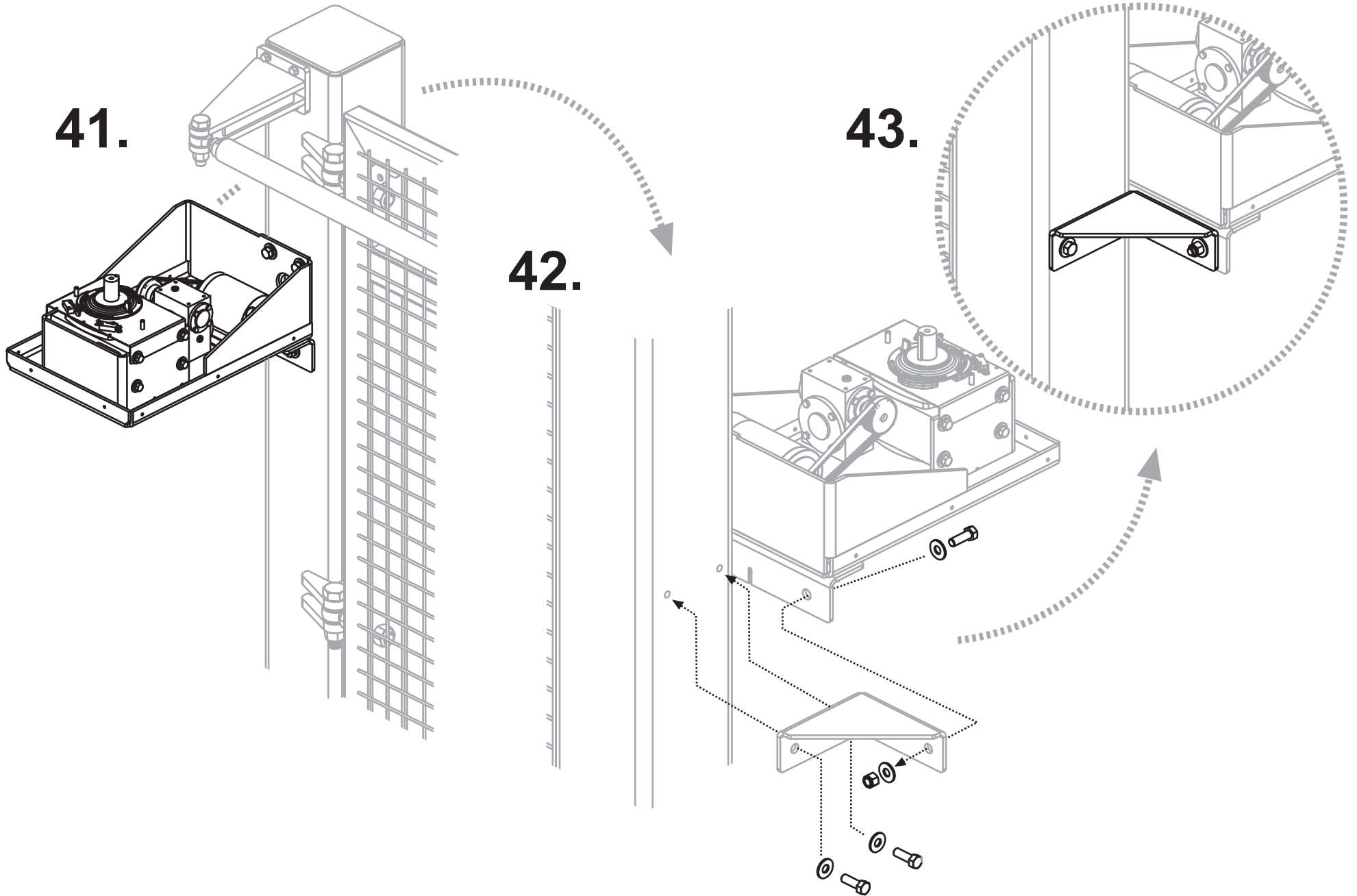


**39.**

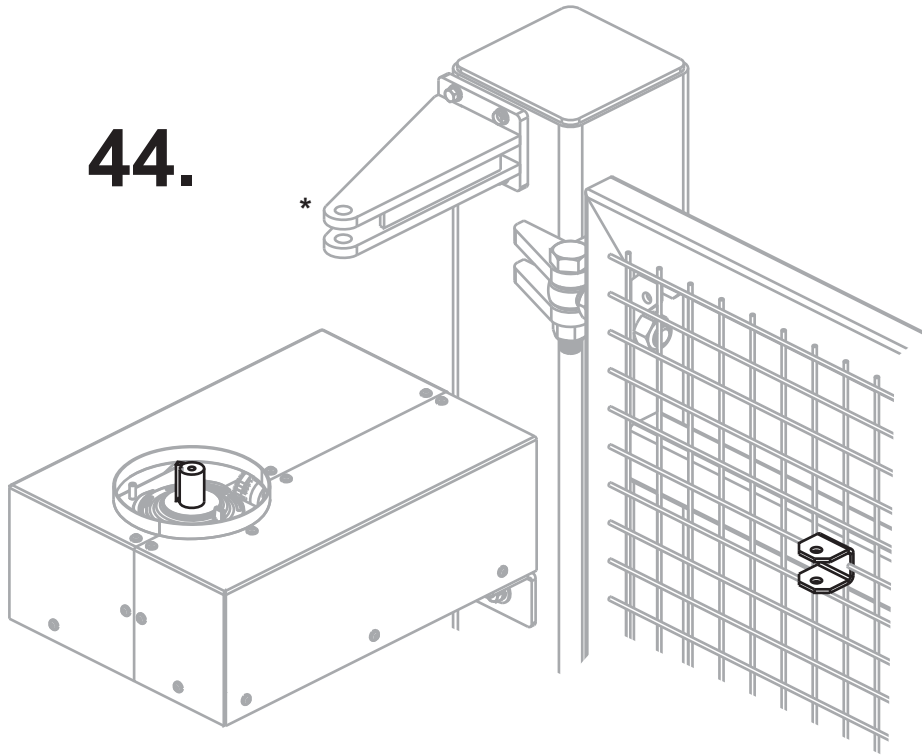


**40.**

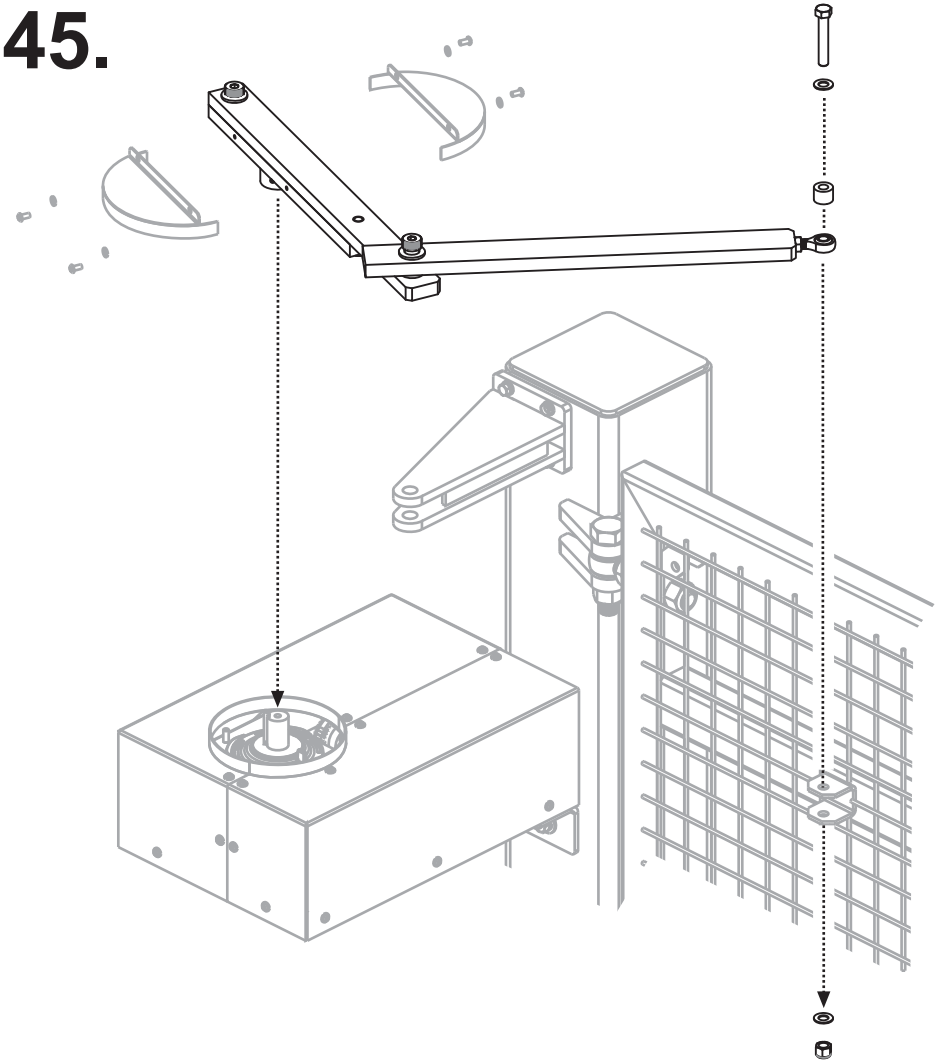




**44.**

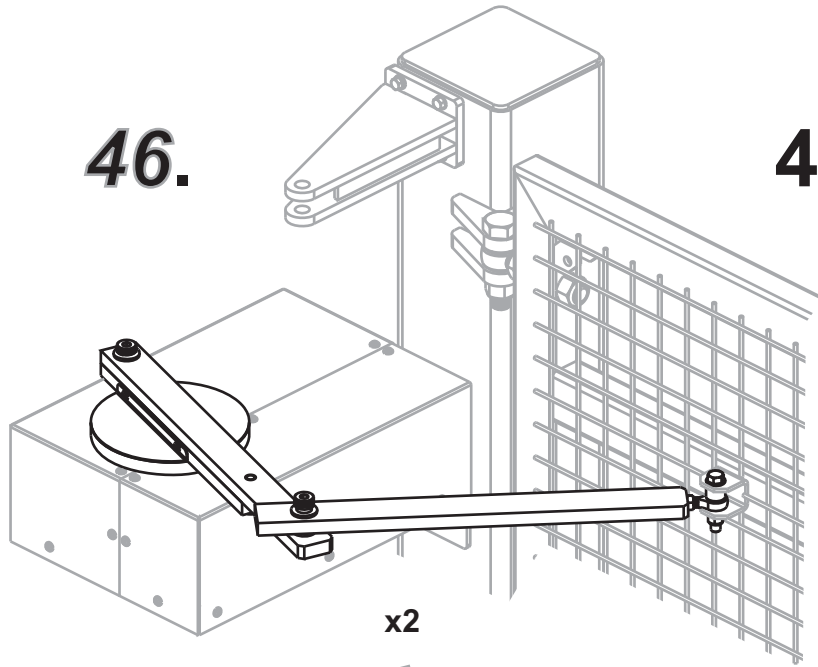


**45.**



**\*Drive Rod has been removed for clarity.**

**46.**



**47.**

