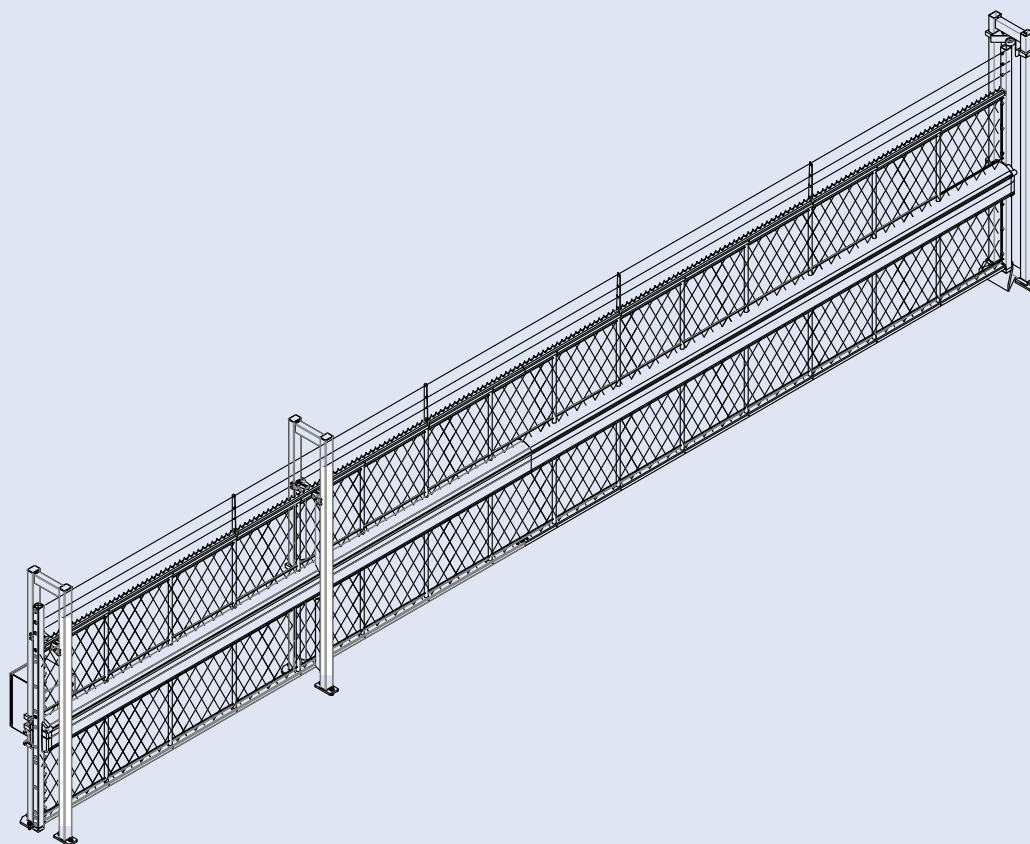




Alpha





Disclaimer

Read the full manual before installation. All described work must be performed by trained personnel. Should you deviate from the instructions, any warranty entitlement and liability of the manufacturer shall no longer apply.

Safety

Always wear the correct protective clothing when performing the work.

Always use a lifting tool/hoisting system when moving heavy and/or large objects.

Always use suitable tools.

Adding or removing parts other than as described in this manual can have negative consequences on the operation and, therefore, the safe operation of the final product and we categorically advise against this.



DANGER! Work on electrical components must be performed by certified personnel.

Removing and disassembling

Dispose of the product in accordance with local legislation and regulations.

For use and maintenance see the user manual and/or service manual.

Dimensions

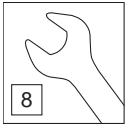
All sizes and dimensions are in mm unless stated otherwise.

Contact

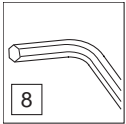
See the back of this manual.



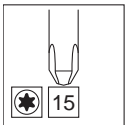
Explanation of symbols



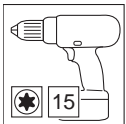
Use an open-end wrench
The number specifies the insertion size in mm.



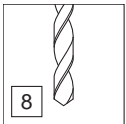
Use an Allen key
The number specifies the insertion size in mm.



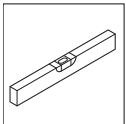
Use a screwdriver
The symbol specifies the type of screw. The number specifies the size of the screw.



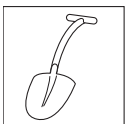
Use a electric screwdriver
The symbol specifies the type of screw. The number specifies the size of the screw.



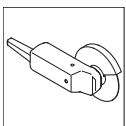
Use a drill
The number specifies the drill bit diameter in mm.



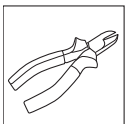
Ensure that the specified levels are level.



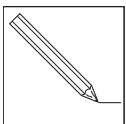
Dig a hole



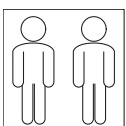
Use an angle grinder



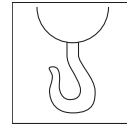
Use pliers



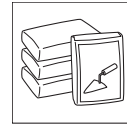
Use a marker
Mark the indicated position



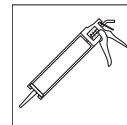
Do not perform the work on your own.



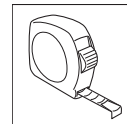
Use a lifting tool/hoisting system.



Use concrete
Follow the instructions on the packaging.



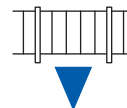
Use epoxy
Follow the instructions on the packaging.



Check the distance



Line of travel of the gate
Specifies the line of travel of the gate.



Fence line
Specifies the position of an (existing) fence line.



Viewing angle
A different viewing angle is used.



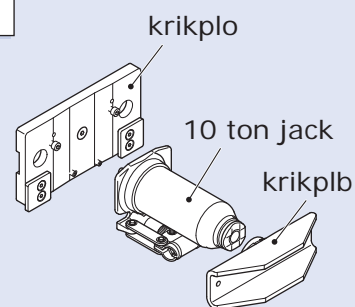
Extra to order
Not included in gate kit.

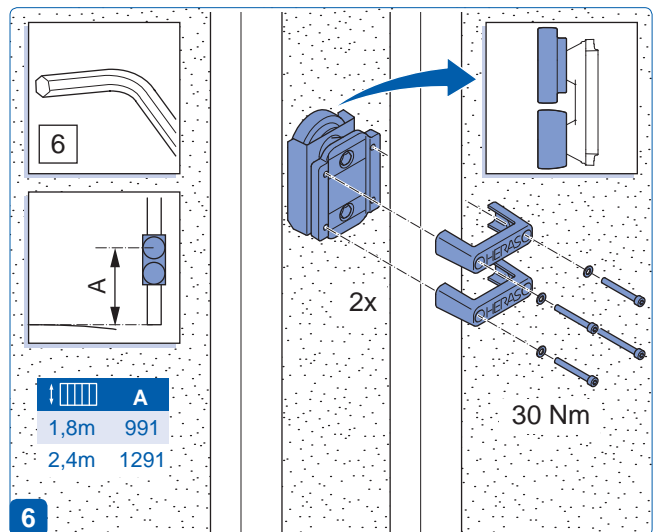
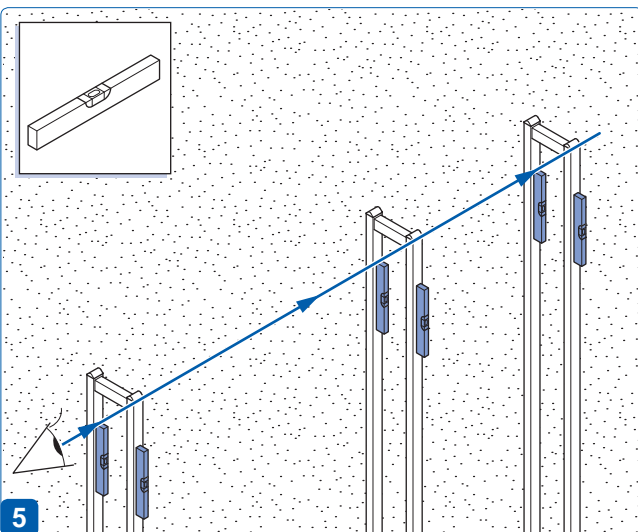
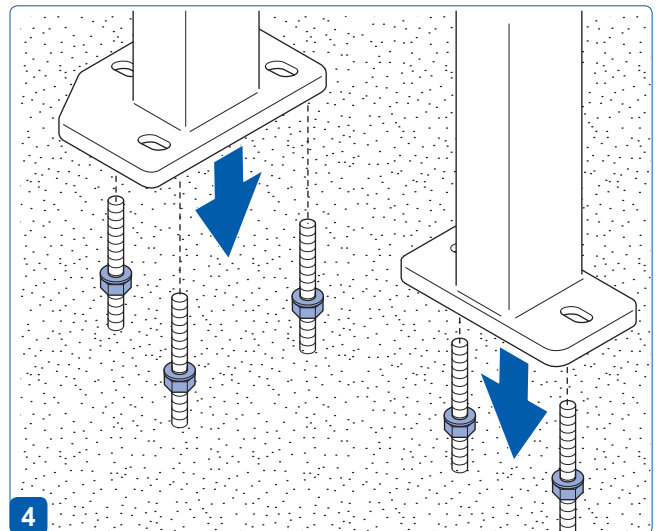
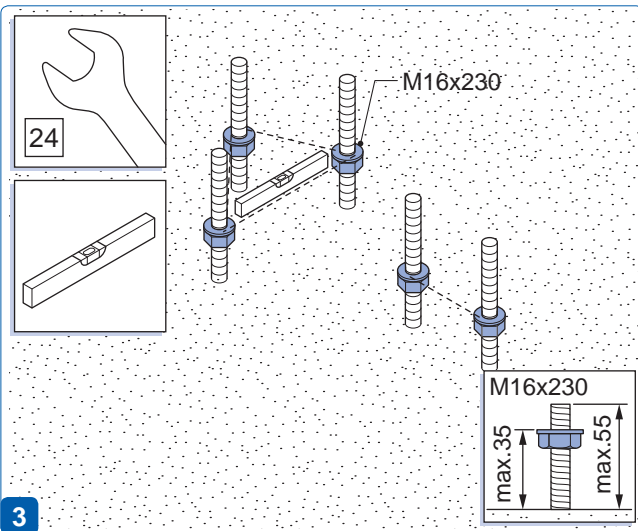
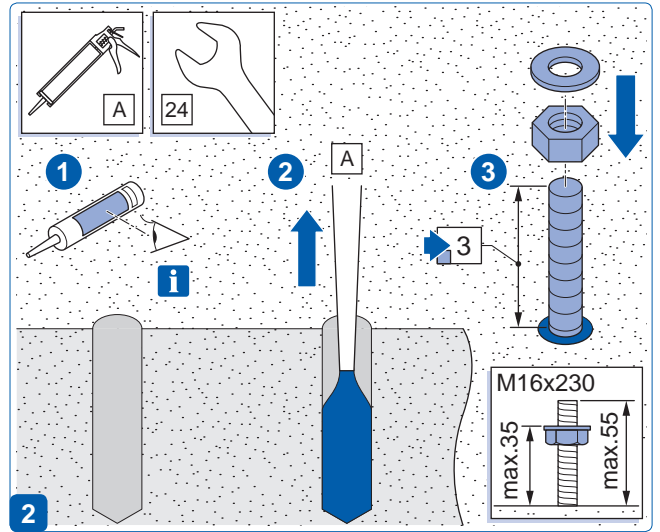
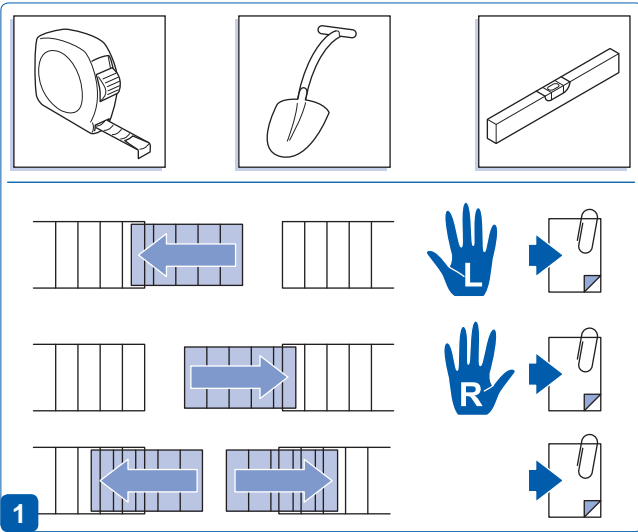


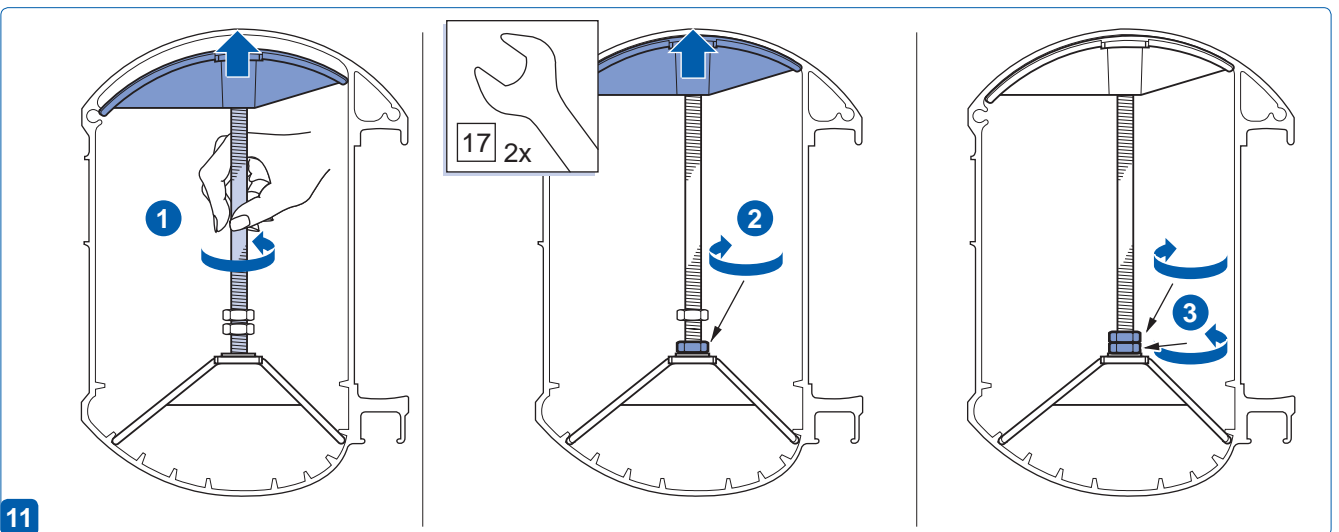
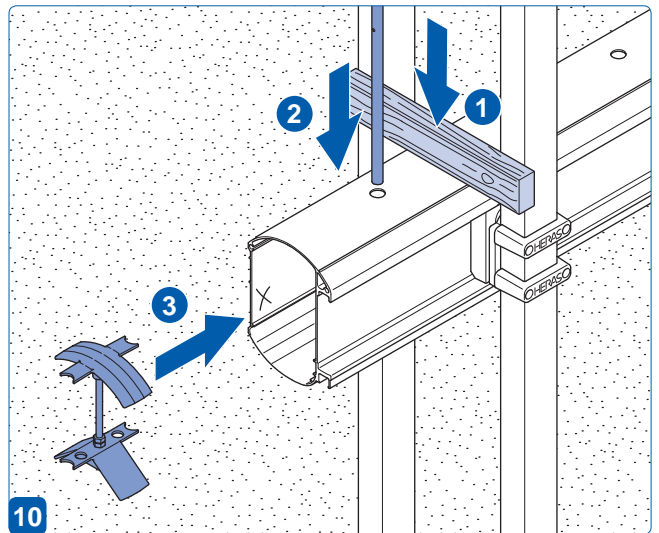
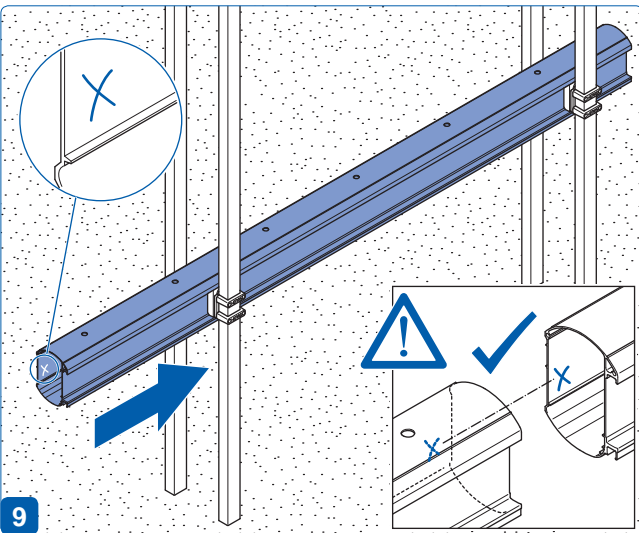
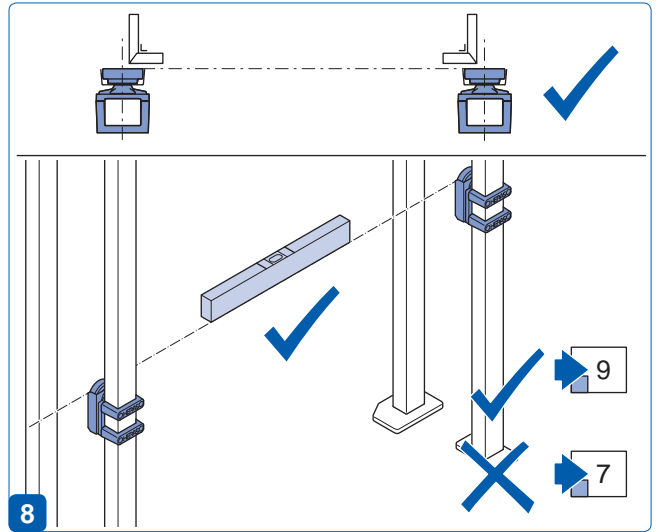
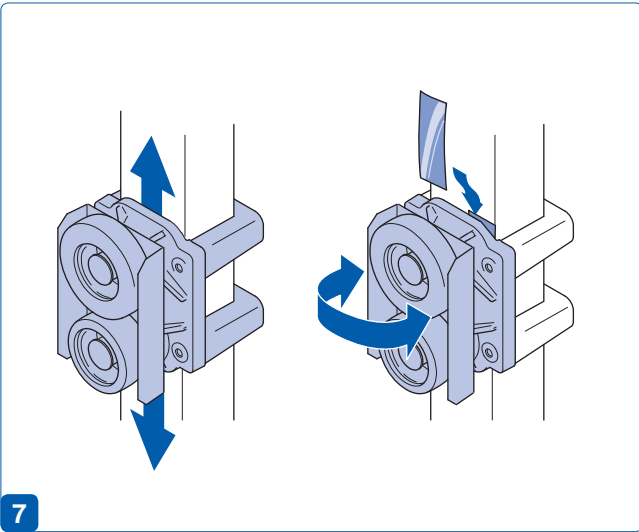
Page reference
Specifies a reference to a page.

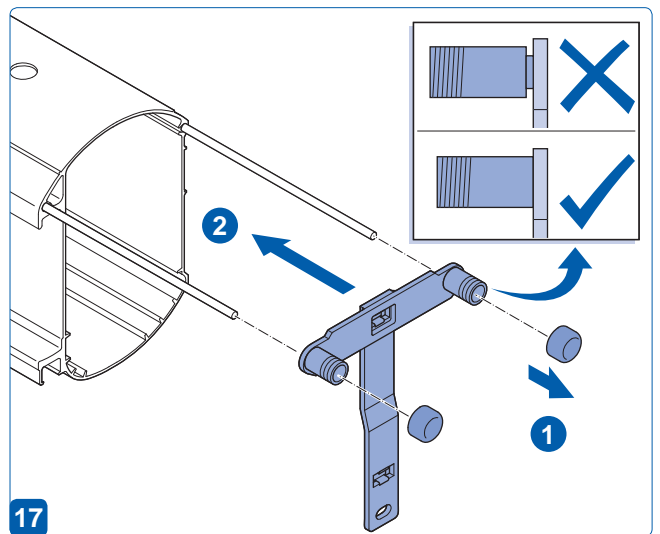
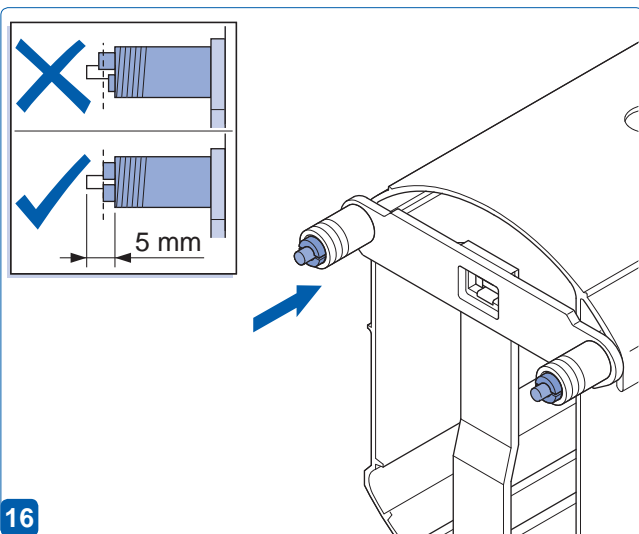
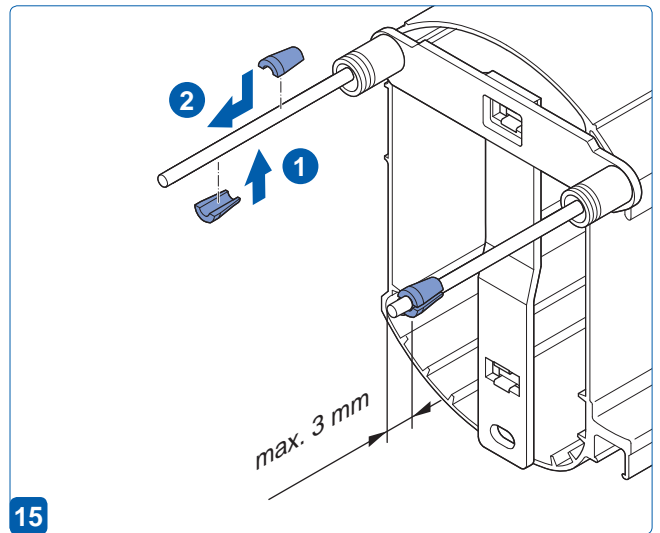
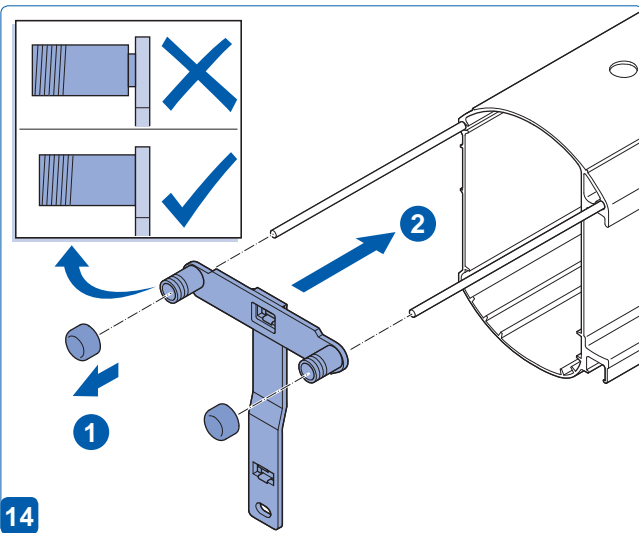
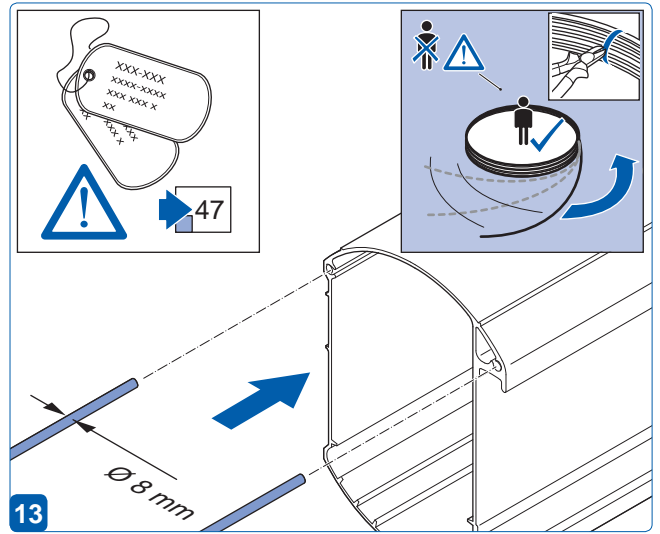
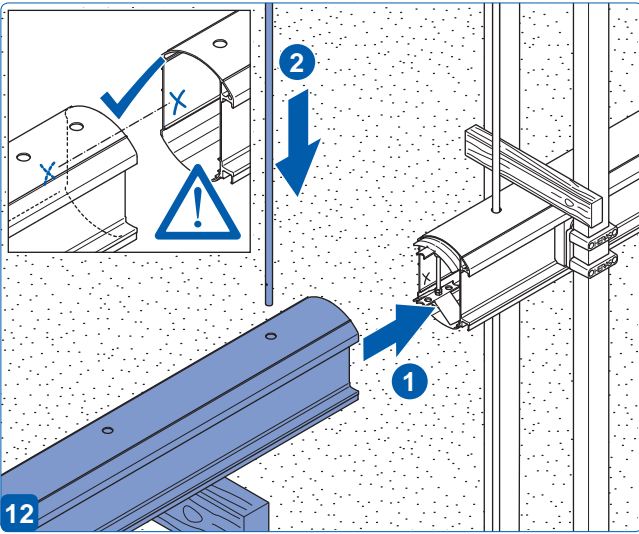


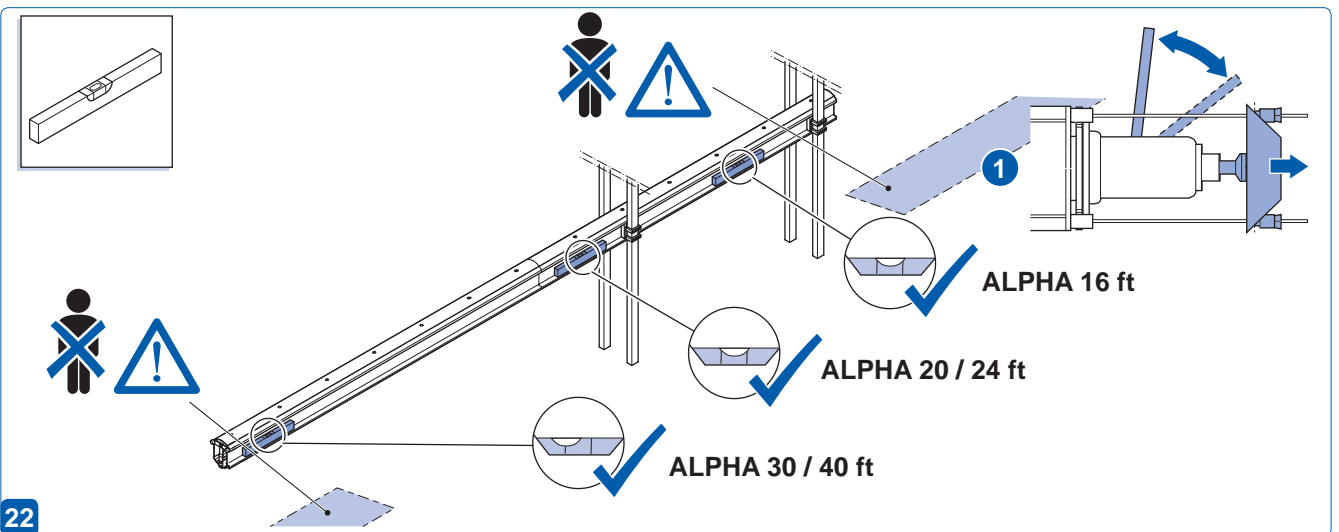
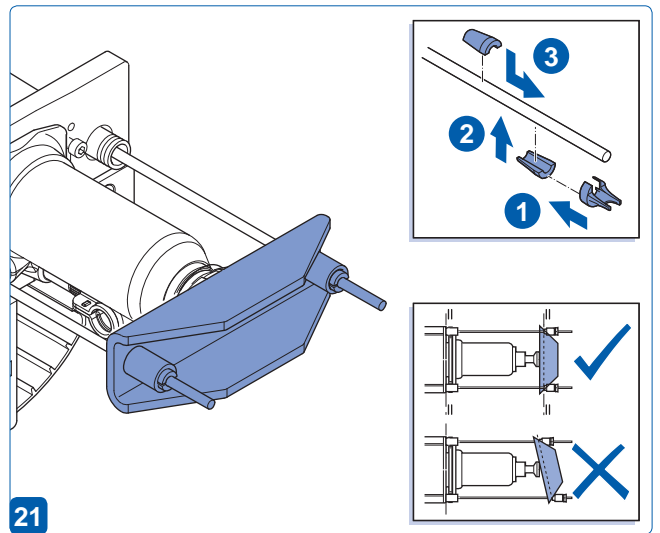
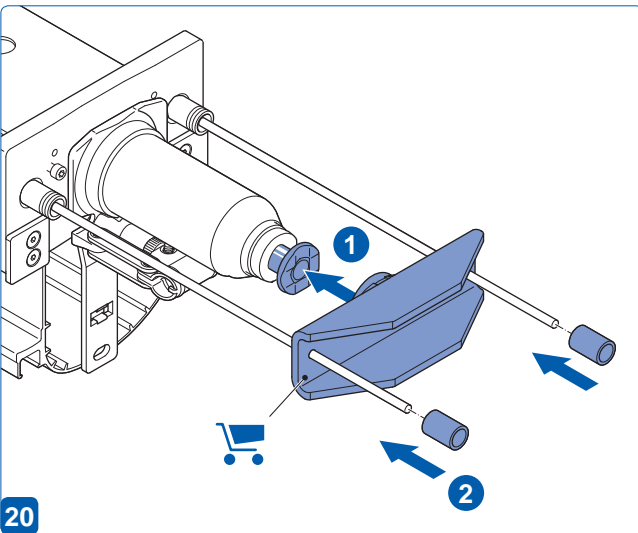
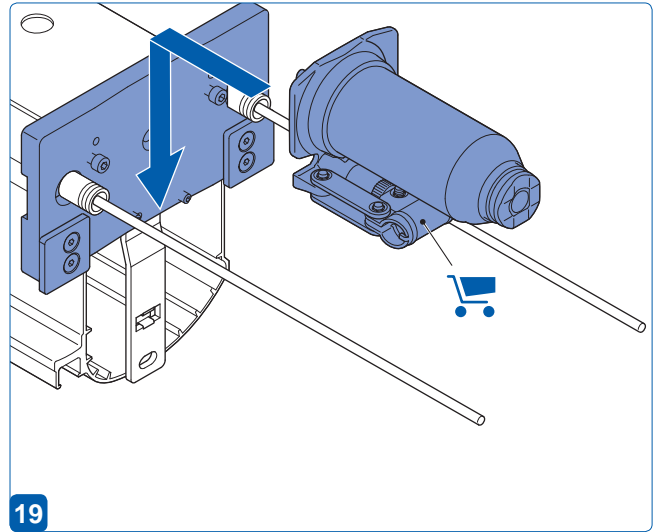
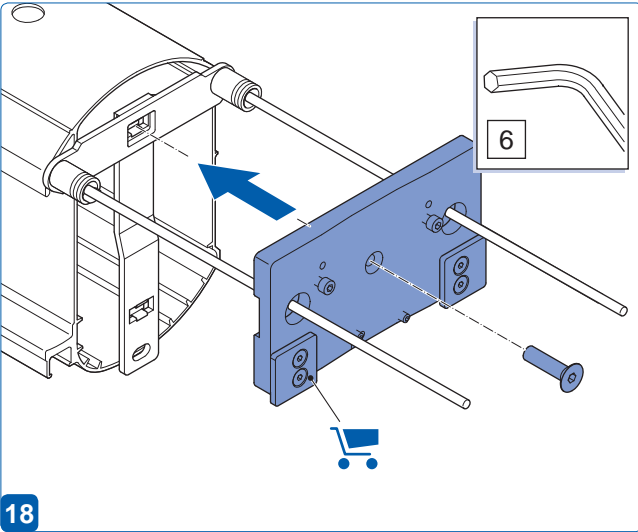
Drawing reference
Specifies a reference to a drawing number.

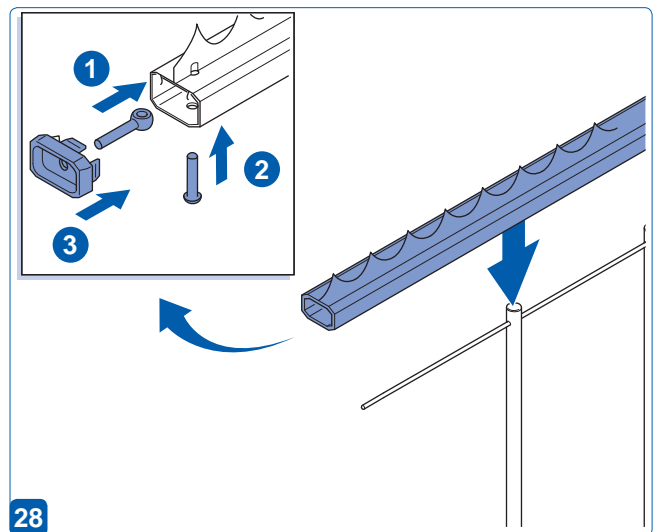
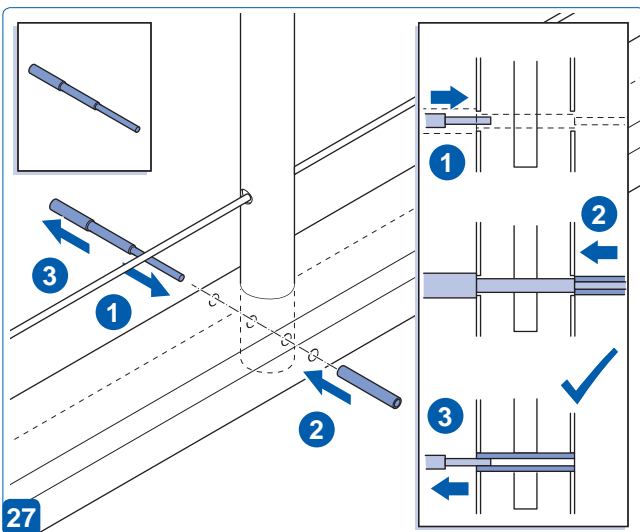
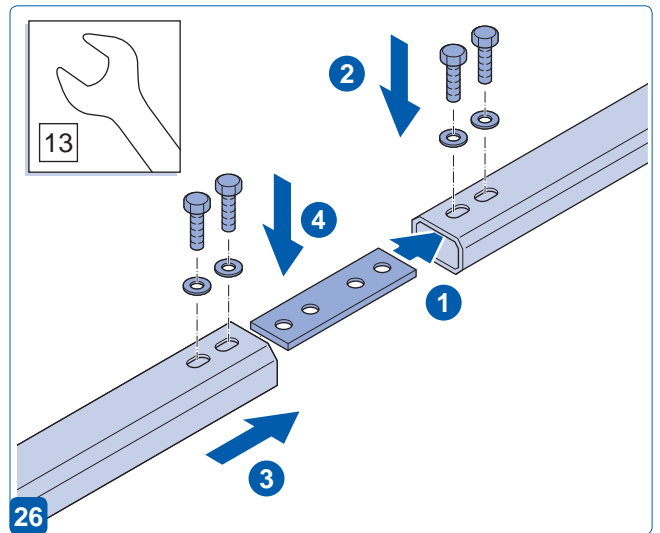
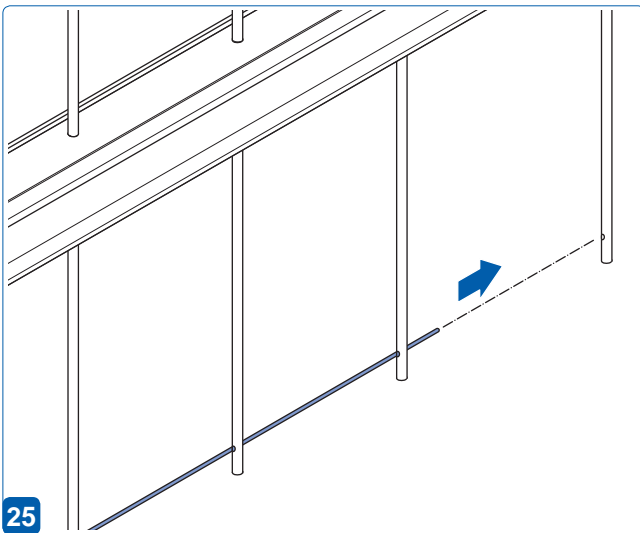
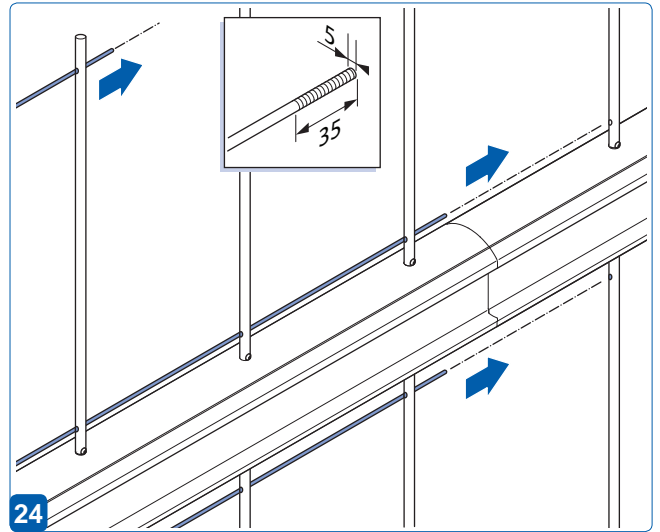
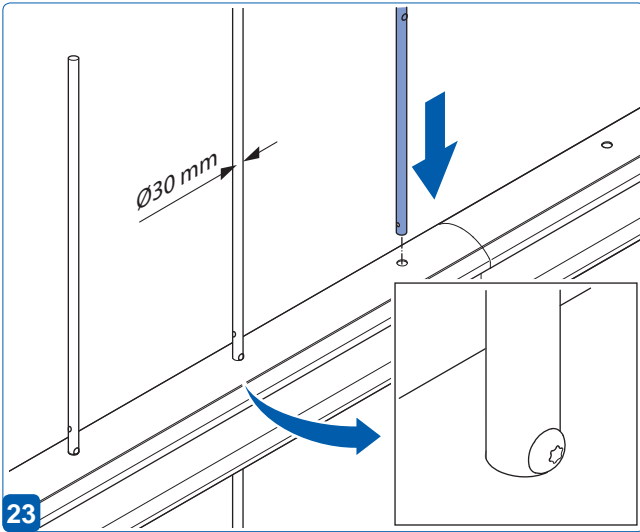


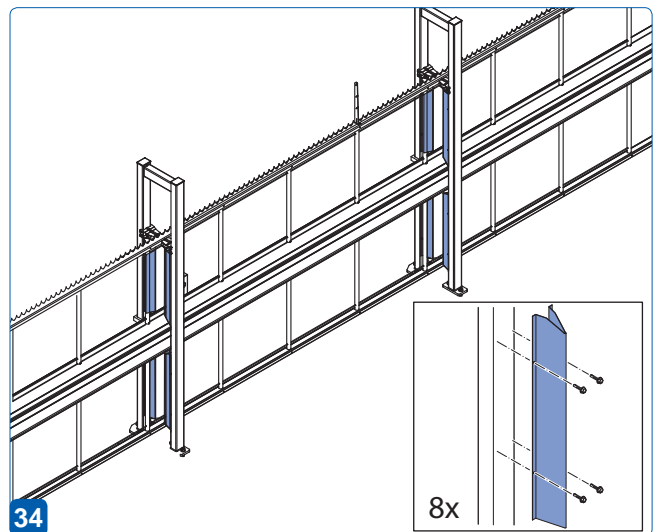
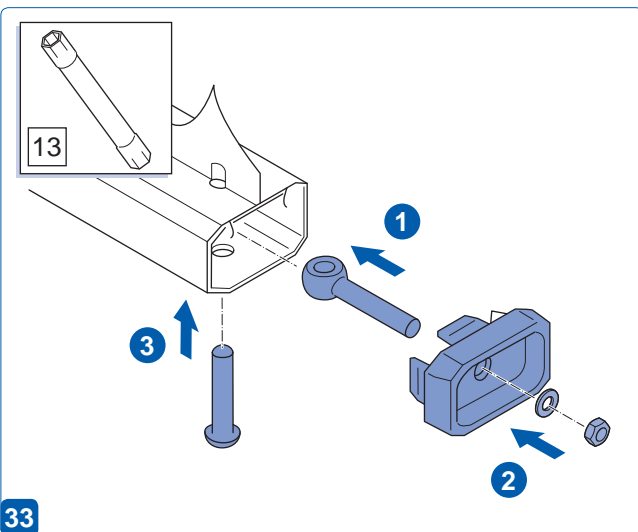
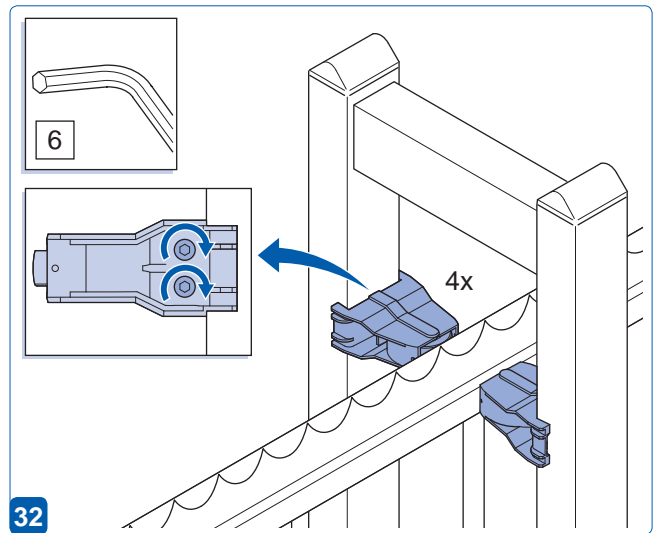
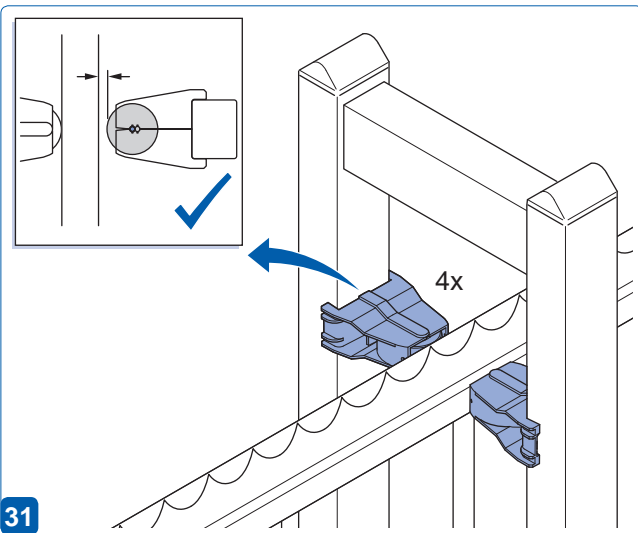
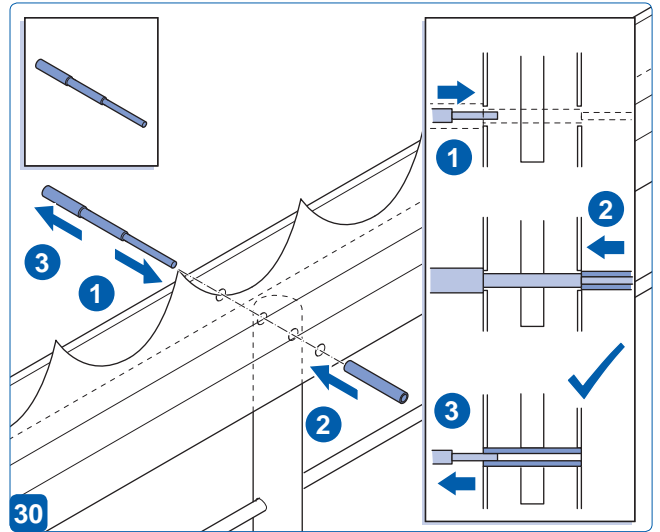
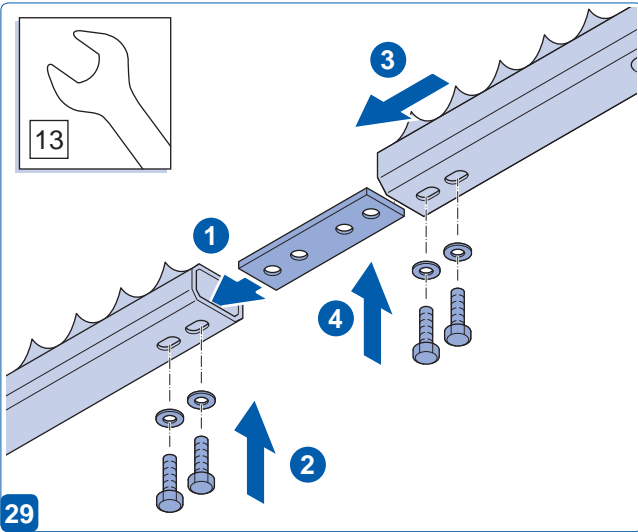


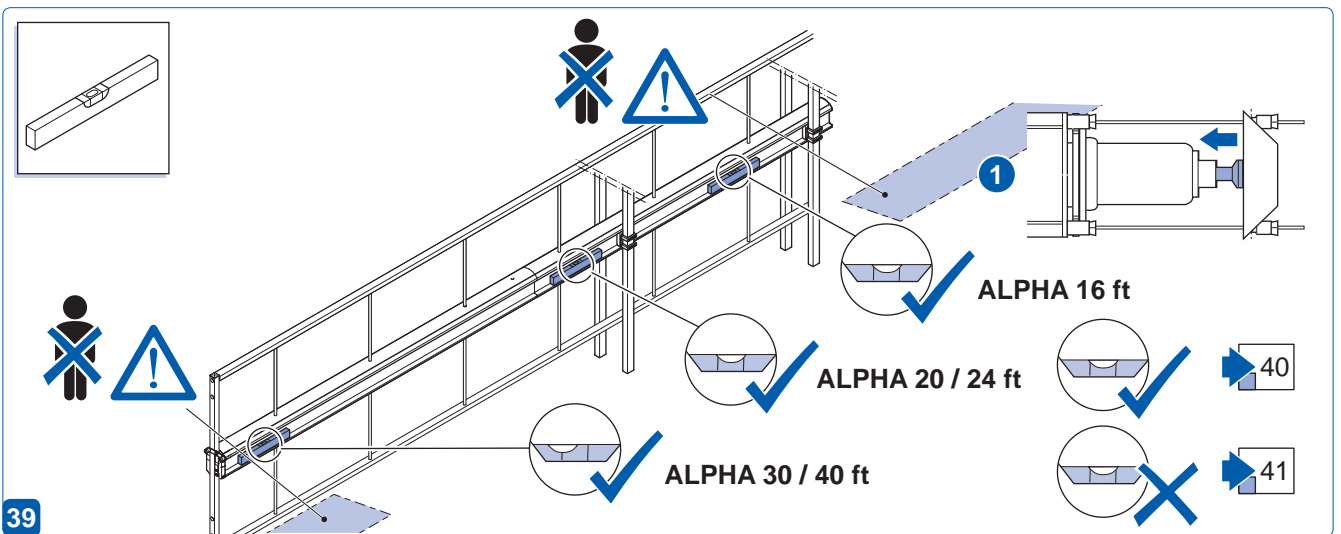
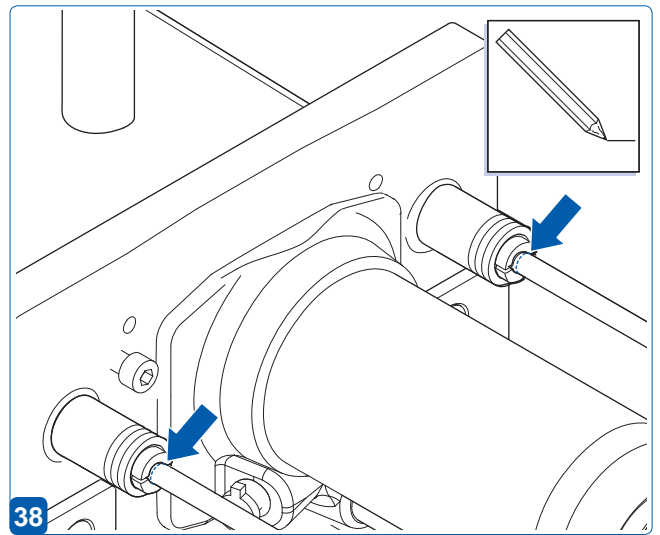
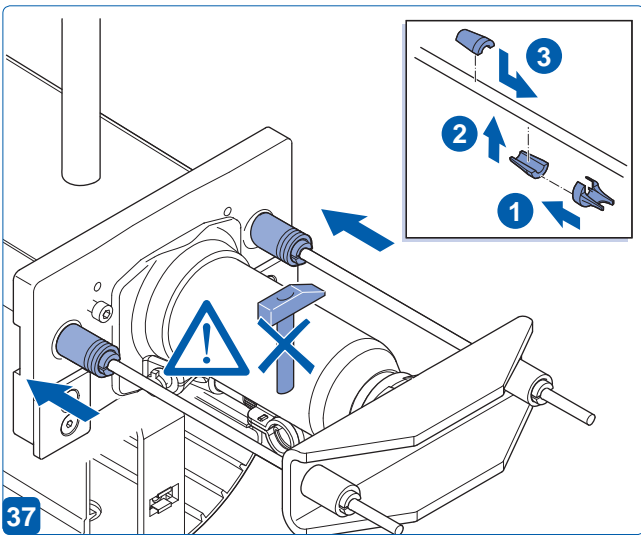
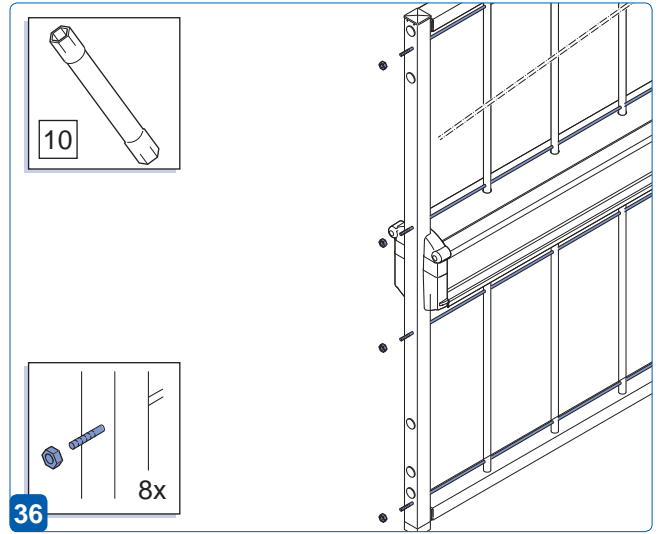
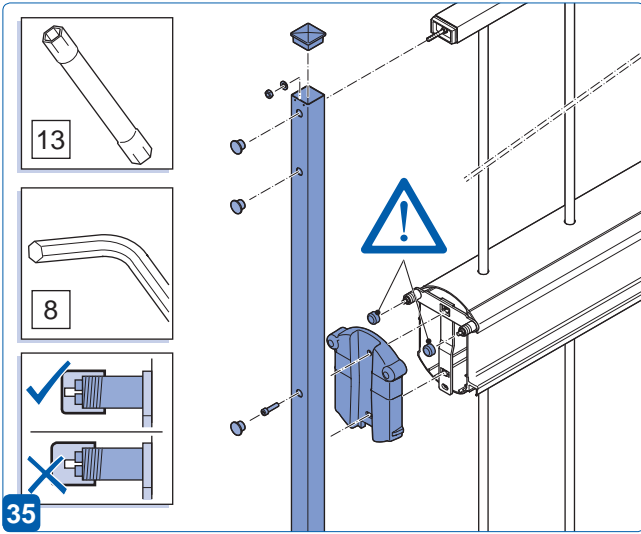


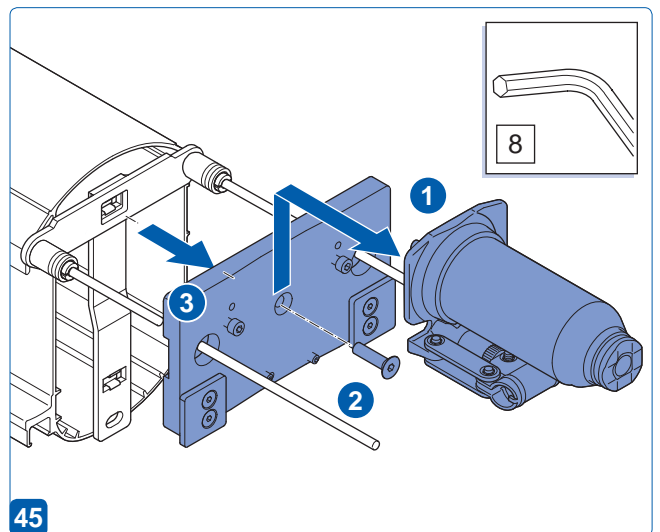
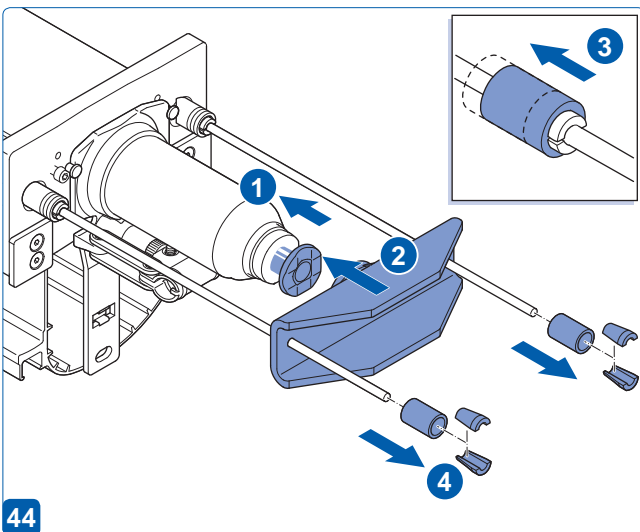
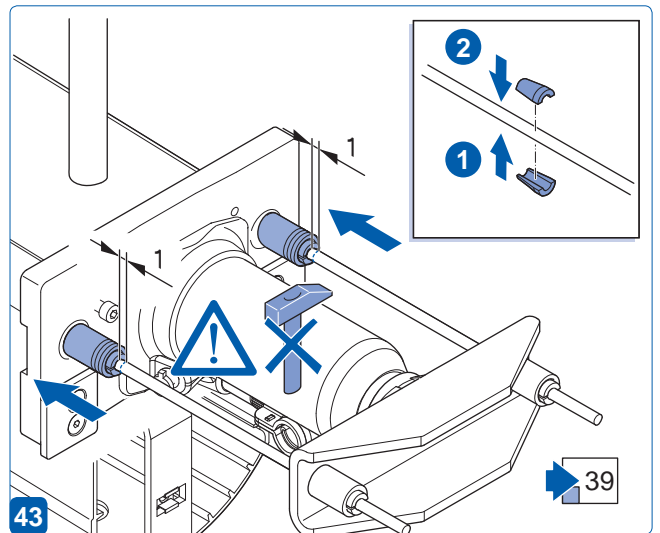
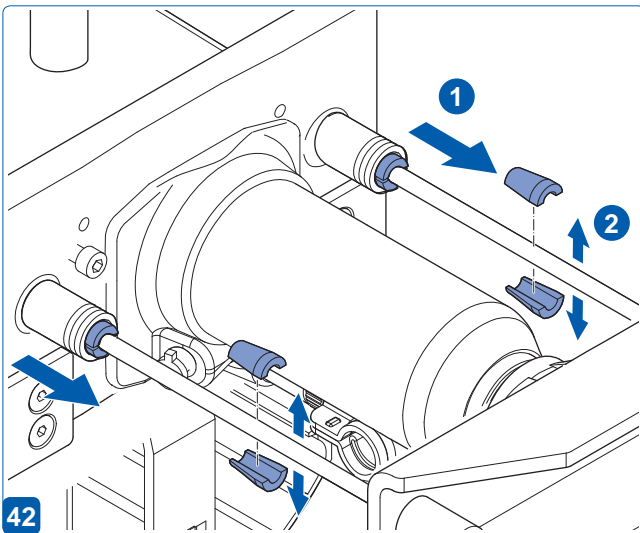
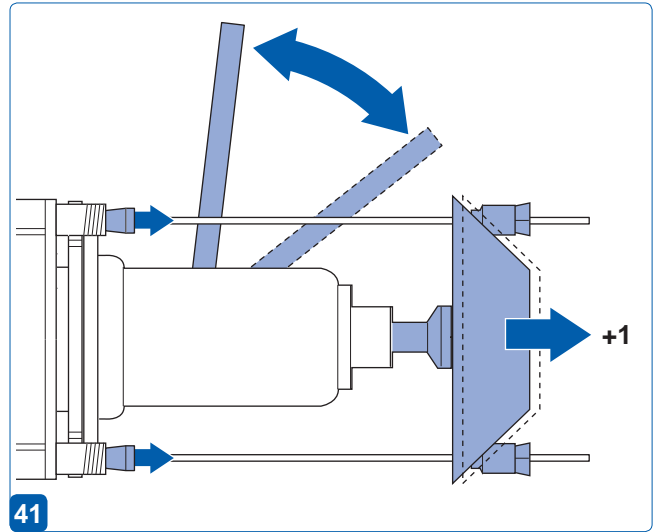
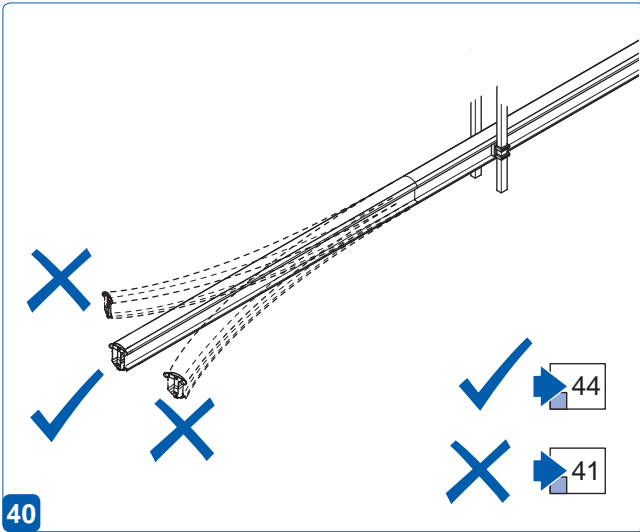


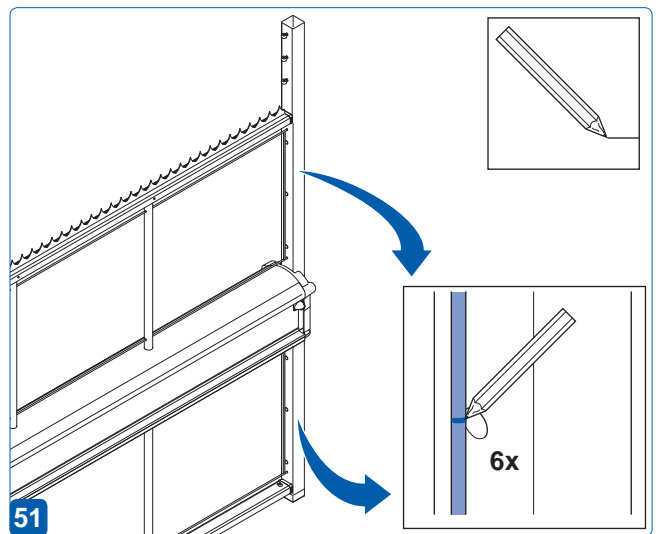
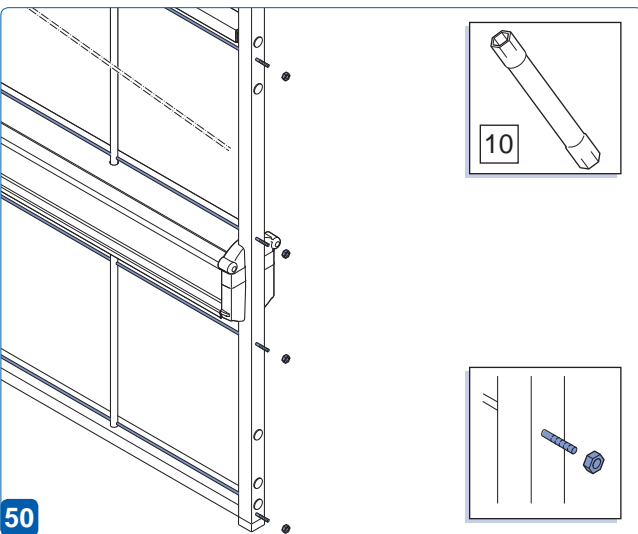
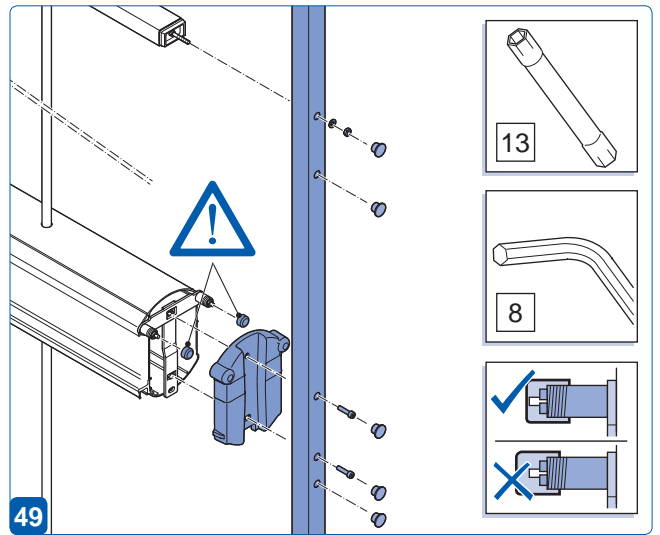
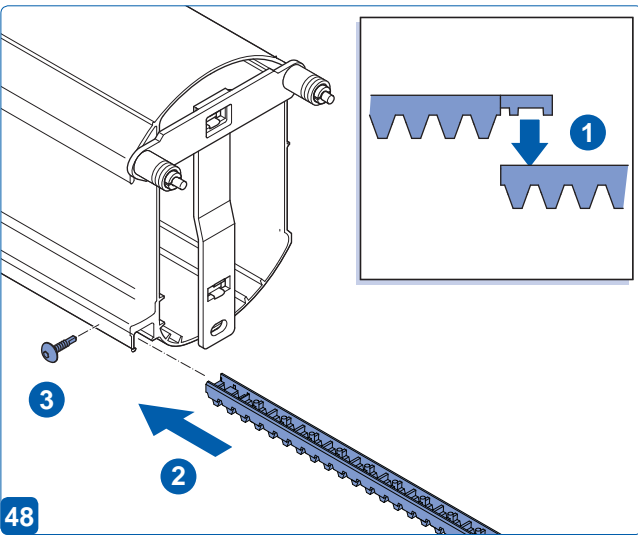
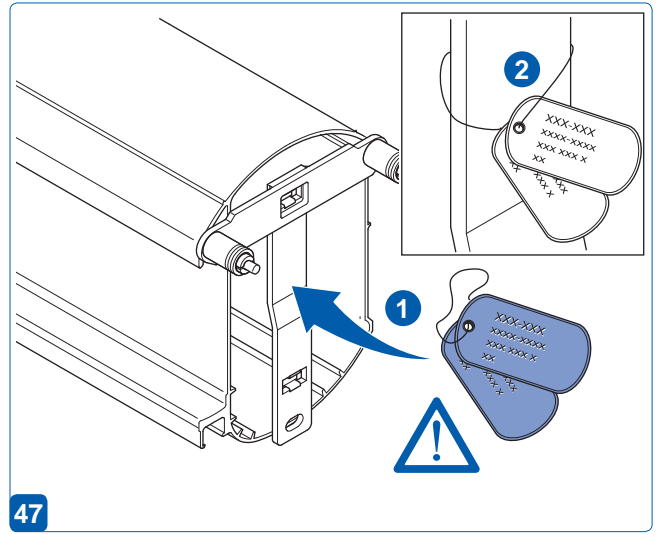
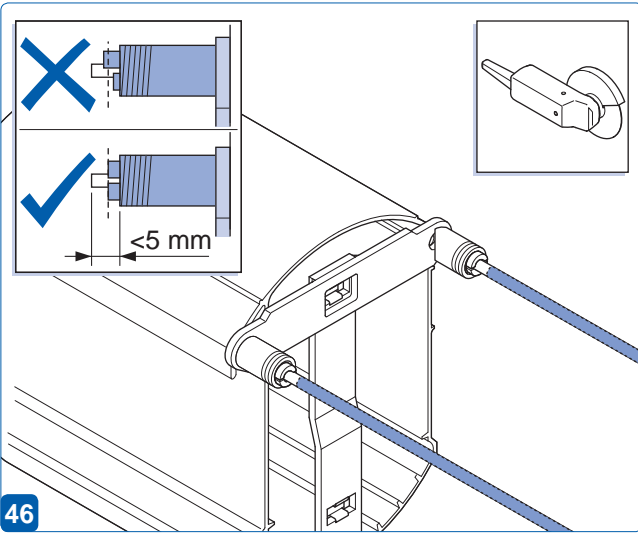


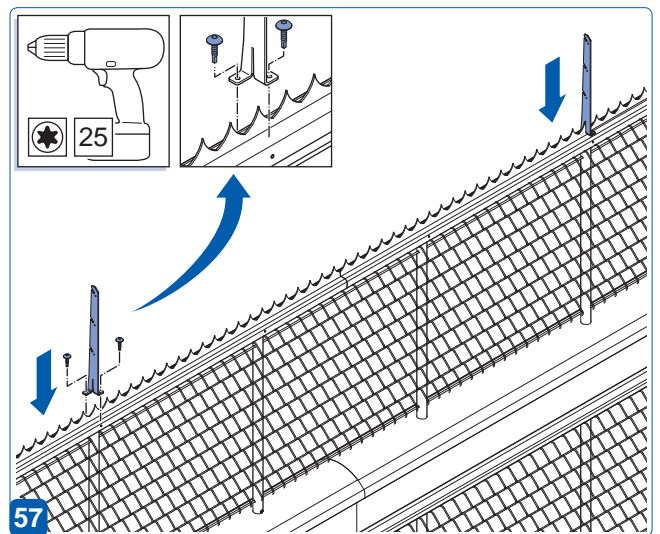
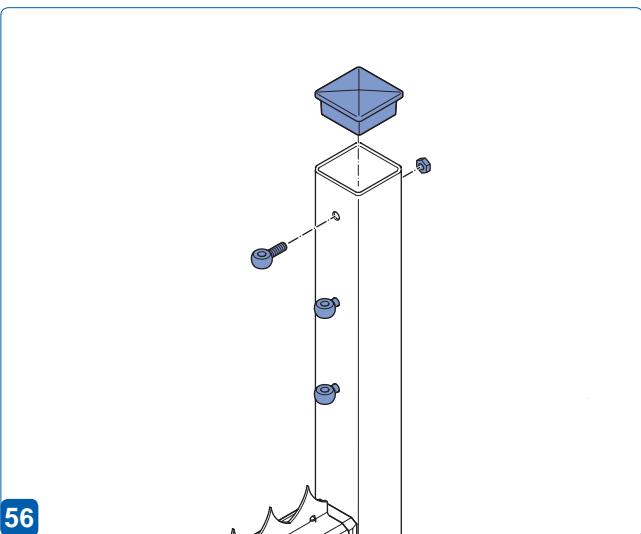
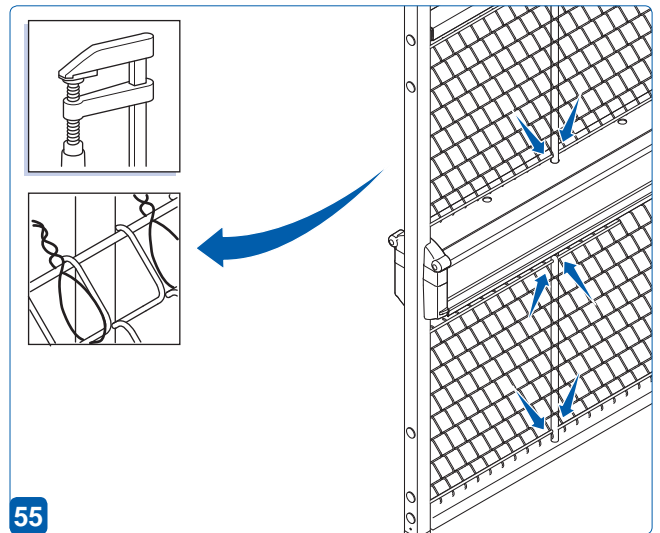
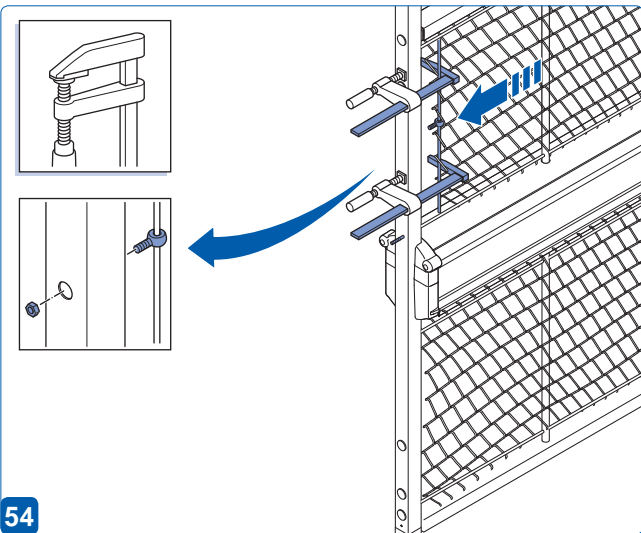
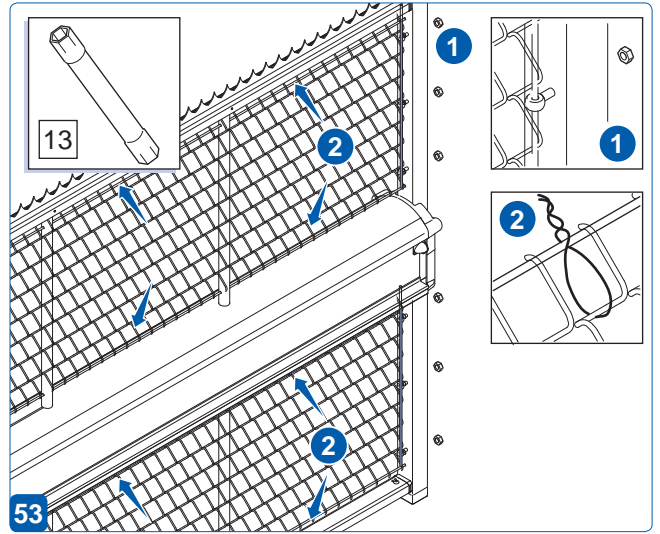
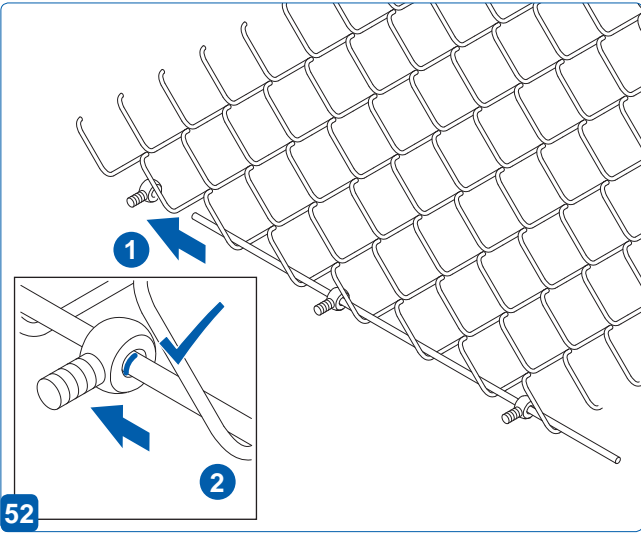


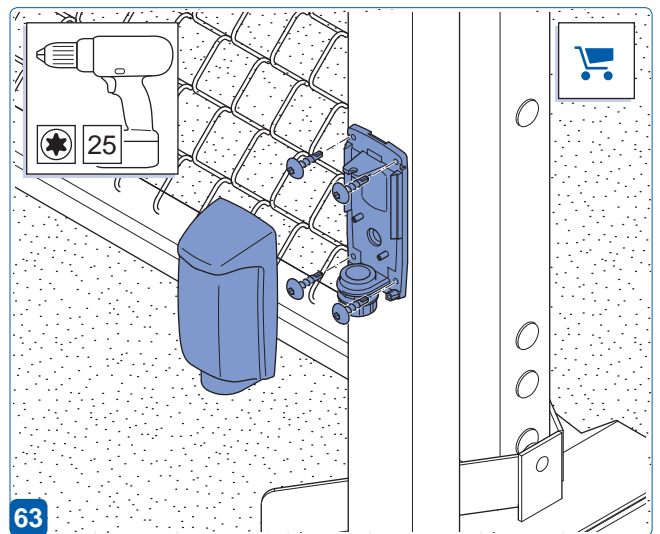
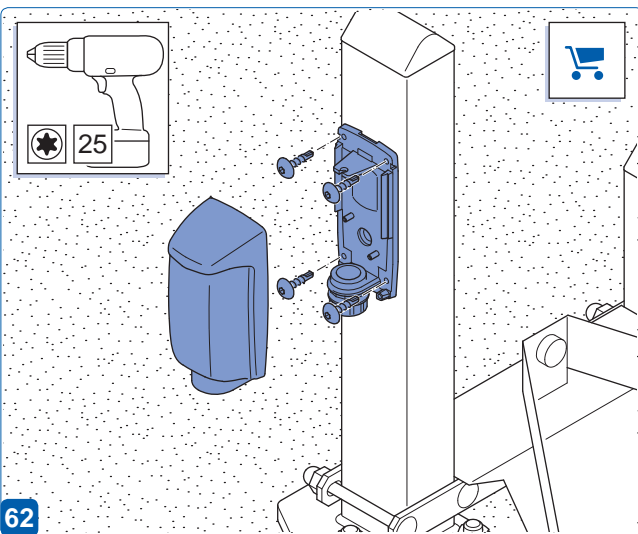
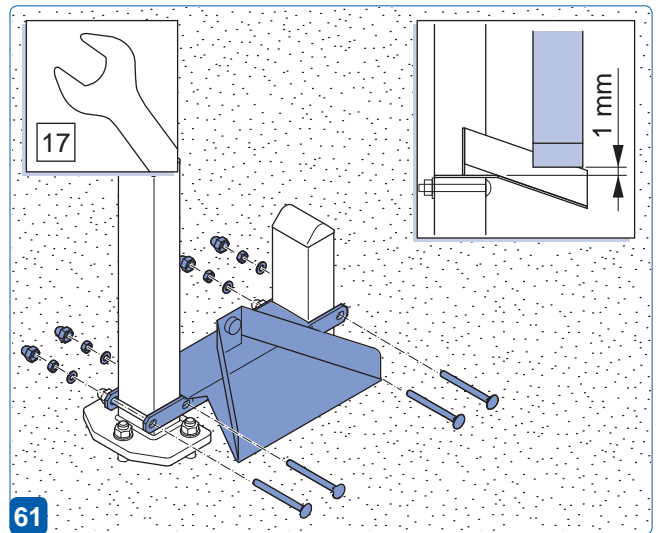
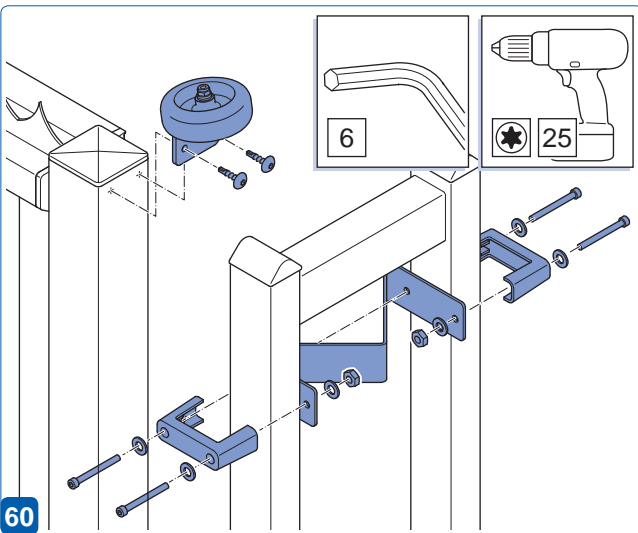
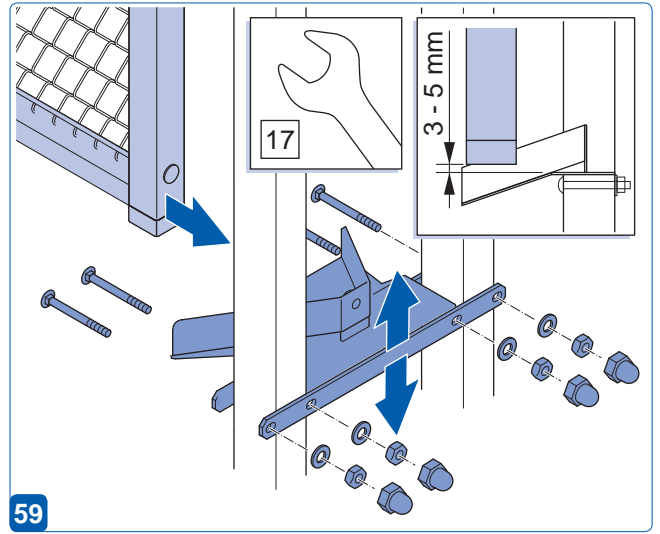
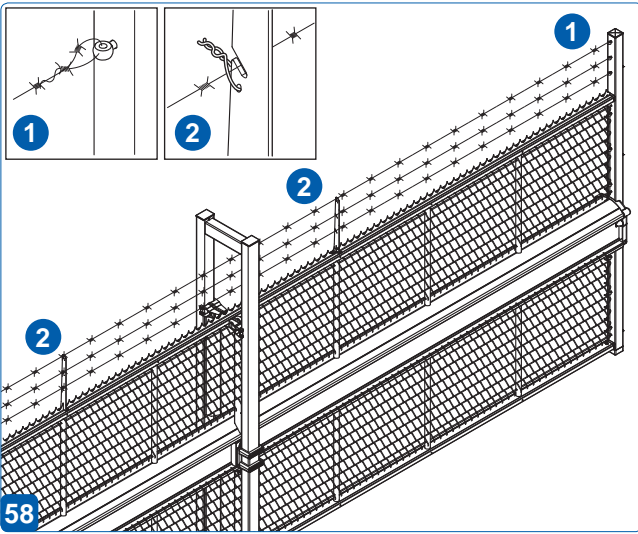














90 LOWSON CRESCENT | WINNIPEG, MB R3P 2H8 CANADA
T 1-866-300-1110 | F 204-284-1868 | E INFO@WALLACEINTL.COM
WWW.WALLACEINTL.COM

Local supplier stamp/