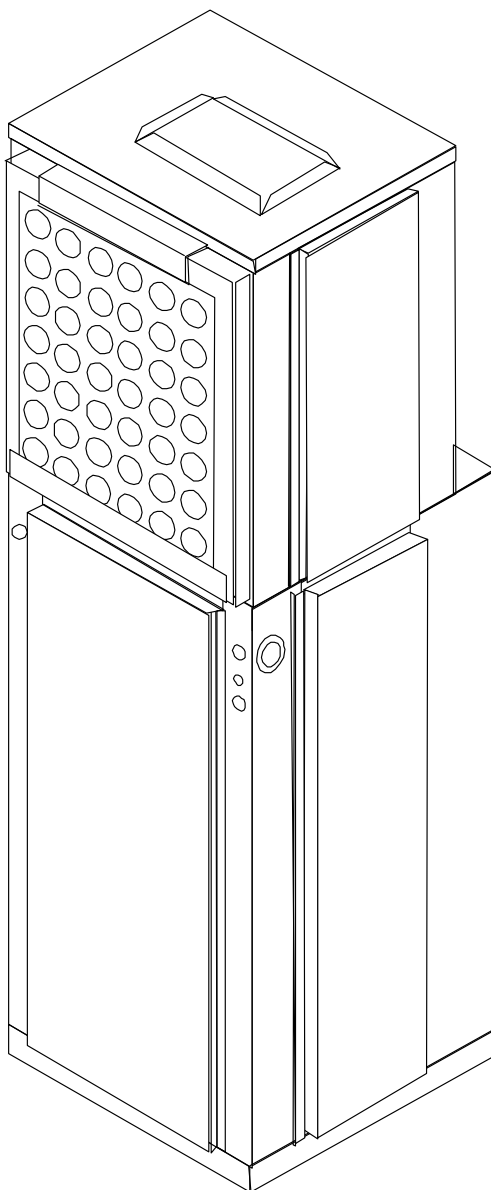


## VTC24 Vertical Packaged Terminal Air Conditioner

VTC243B00AB  
VTC243B03AB  
VTC243B04AB  
VTC243B05AB  
VTC243B06AB  
VTC243B08AB  
VTC243B10AB



Amana is a trademark of Maytag Corporation and used under license to Goodman Company, L.P. All rights reserved.

This manual is to be used by qualified technicians only.

© 2009 Goodman Company, L.P. ♦ 5151 San Felipe, Suite 500 ♦ Houston, TX 77056

# Important Information

---

## Index

Functional Parts List .....	3
Illustration and Parts .....	4 - 7

*Views shown are for parts illustrations only, not servicing procedures.*

### Text Codes:

AR - As Required

NA - Not Available

NS - Not Shown

00000000 - See Note

QTY - Quantity Example (QTY 3) (If Quantity not shown, Quantity = 1)

M - Model Example (M1) (If M Code not shown, then part is used on all Models)

### Expanded Model Nomenclature:

Example M1 - Model#1 M2 - Model#2 M3 - Model#3
---

Goodman Company, L.P. is not responsible for personal injury or property damage resulting from improper service. Review all service information before beginning repairs.

Warranty service must be performed by an authorized technician, using authorized factory parts. If service is required after the warranty expires, Goodman Company, L.P. also recommends contacting an authorized technician and using authorized factory parts.

Goodman Company, L.P. reserves the right to discontinue, or change at any time, specifications or designs without notice or without incurring obligations.

For assistance within the U.S.A. contact:

Consumer Affairs Department  
Goodman Company, L.P.  
7401 Security Way  
Houston, Texas 77040  
877-254-4729-Telephone  
713-863-2382-Facsimile

For assistance outside the U.S.A. contact:

International Division  
Goodman Company, L.P.  
7401 Security Way  
Houston, Texas 77040  
713-861-2500-Telephone  
713-863-2382-Facsimile

# Functional Parts

## Part

**No:**            **Description:**

---

RF000125	BLOWER MOTOR
RF000063	CAPACITOR 5/35/370V
RF000107	COMPRESSOR
M177	COND MOTOR
RF000043	CONTROL BOARD
RF000047	DISCONNECT SWITCH
RF000050	LOW AMBIENT SWITCH

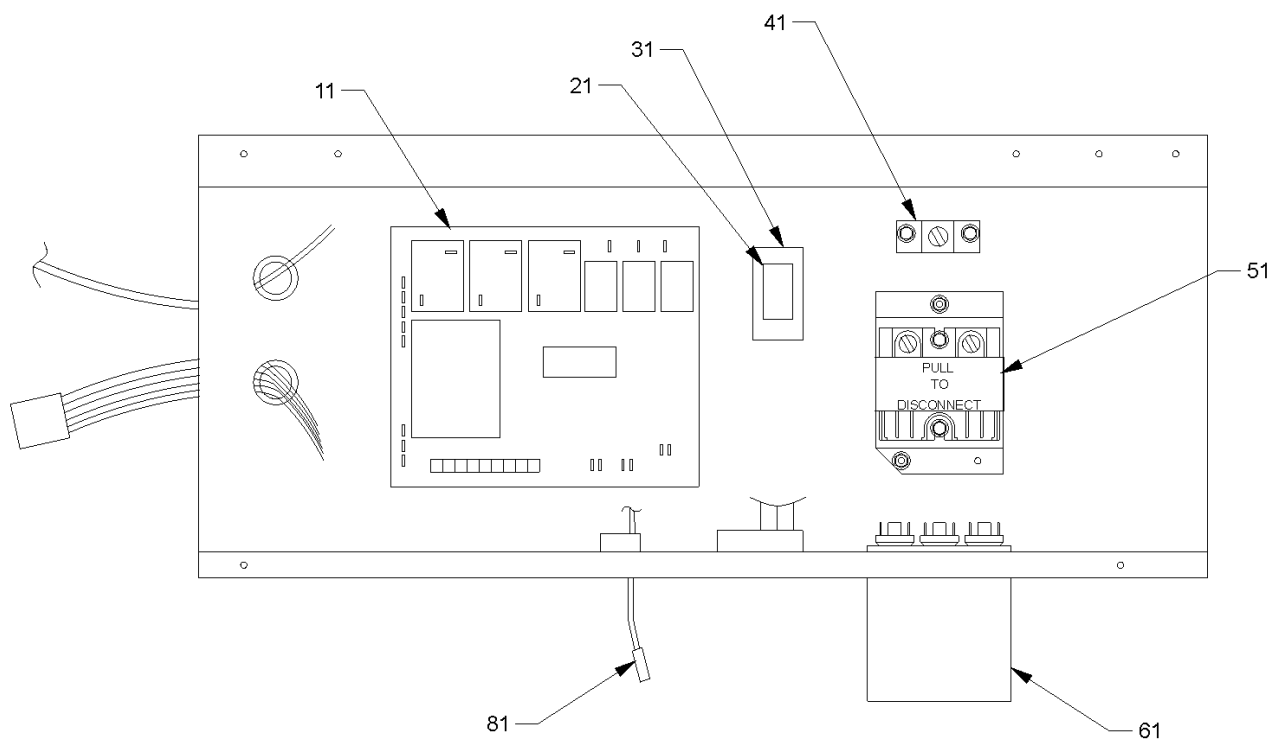
## SPECIAL PARTS

20292301	INSTALLATION INSTRUCTIONS
RP-555	REPAIR PARTS MANUAL
RS4700001	SERVICE MANUAL

## Expanded Model Nomenclature

M1 - VTC243B00AB
M2 - VTC243B03AB
M3 - VTC243B04AB
M4 - VTC243B05AB
M5 - VTC243B06AB
M6 - VTC243B08AB
M7 - VTC243B10AB

# Internal Components



# Internal Components

Ref. Part No:	No:	Description:	Ref. Part No:	No:	Description:
---------------	-----	--------------	---------------	-----	--------------

---

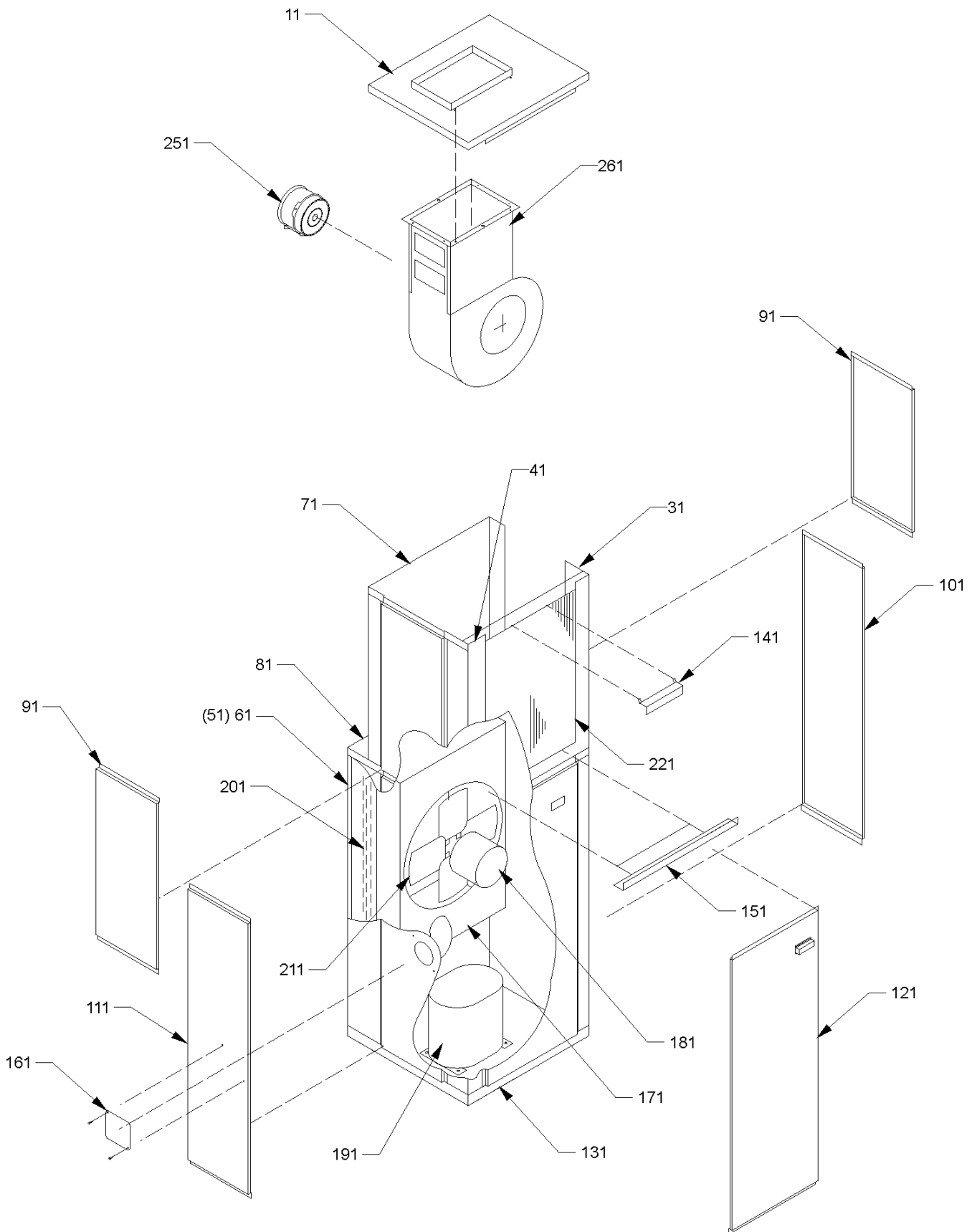
Image 1:

11	RF000043	CONTROL BOARD
21	RF000044	FUSE
31	RF000045	FUSE BLOCK
41	RF000046	GROUNDING LUG
51	RF000047	DISCONNECT SWITCH
61	RF000063	CAPACITOR 5/35/370V
81	RF000050	LOW AMBIENT SWITCH

Expanded Model Nomenclature

M1 - VTC243B00AB
M2 - VTC243B03AB
M3 - VTC243B04AB
M4 - VTC243B05AB
M5 - VTC243B06AB
M6 - VTC243B08AB
M7 - VTC243B10AB

# Internal Components



# Internal Components

Ref. Part No:	No:	Description:	Ref. Part No:	No:	Description:
<i>Image 1:</i>					
11	RF000103	TOP PANEL			
31	RF000066	CORNER POST, FRONT RIGHT			
41	RF000067	CORNER POST, FRONT LEFT			
51	RF000068	CORNER POST, REAR RIGHT			
61	RF000069	CORNER POST, REAR LEFT			
71	RF000070	REAR VERTICAL PANEL			
81	RF000071	MIDDLE PANEL			
91	RF000072	ACCESS PANEL, UPPER LEFT & RIGHT			
101	RF000073	ACCESS PANEL, LOWER RIGHT			
111	RF000074	ACCESS PANEL, LOWER LEFT			
121	RF000075	FRONT ACCESS PANEL			
131	RF000076	BASE PAN			
141	RF000077	UPPER FILTER CLIP			
151	RF000078	BOTTOM FILTER HOLDER			
161	RF000079	VENT COVER PLATE			
171	RF000080	COND FAN SHROUD			
181	M177	COND MOTOR			
191	RF000107	COMPRESSOR			
201	RF000109	TUBING ASSY, COND COIL			
211	RF000087	FAN BLADE			
221	RF000114	EVAPORATOR			
251	RF000125	BLOWER MOTOR			
261	RF000126	BLOWER HOUSING			
NS	RF000118	COOLING PISTON			

## Expanded Model Nomenclature

M1 - VTC243B00AB
M2 - VTC243B03AB
M3 - VTC243B04AB
M4 - VTC243B05AB
M5 - VTC243B06AB
M6 - VTC243B08AB
M7 - VTC243B10AB

