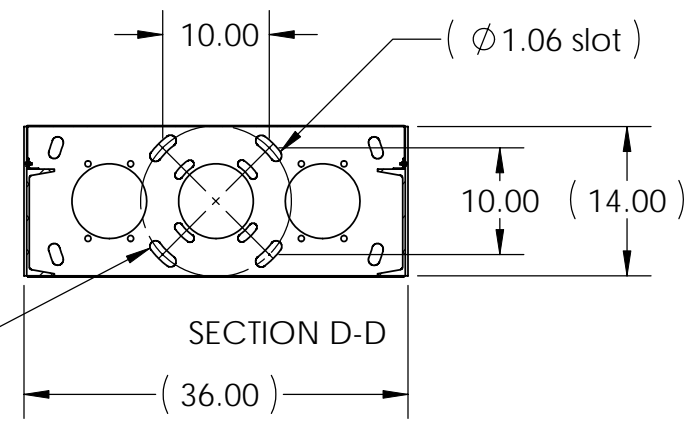


- NOTES:
- 1) Enclosure body is marine grade aluminum sheet, formed and welded water tight, with a polyester powder paint finish, black in color.
  - 2) Support frame is welded structural aluminum with black polyester powder finish.
  - 3) Pedestal base is welded structural aluminum with black polyester powder finish.
  - 4) The viewing window is laminated glass with antireflective coating on both sides and provides UV protection.
  - 5) Cooling is provided by a rear mounted air conditioner.
  - 6) Front cover is hinged at the top and supported by gas springs for access to the displays.



USE 10 x 10 Pattern for NEW CONSTRUCTION see sheet 3  
 6" x 6" pattern available for use with existing footers

**PROPRIETARY AND CONFIDENTIAL**  
 THE INFORMATION CONTAINED IN THIS DRAWING IS THE SOLE PROPERTY OF ITSENCLUSURES. ANY REPRODUCTION IN PART OR AS A WHOLE WITHOUT THE WRITTEN PERMISSION OF ITSENCLUSURES IS PROHIBITED.

		UNLESS OTHERWISE SPECIFIED: DIMENSIONS ARE IN INCHES [mm] TOLERANCES: (include finish) ANGULAR: MACH ± .20° BEND ± 1.0° TWO PLACE DECIMAL ± .030 THREE PLACE DECIMAL ± .010 HOLE SIZES .xxx +.010 -.000		NAME	DATE	<b>ITSENCLUSURES</b> TITLE: Enclosure, AC cooled Three portrait, NEC X461HB		
		DRAWN	eec	10-20-2010				
		CHECKED						
		ENG APPR.						
		MFG APPR.						
		INTERPRET GEOMETRIC TOLERANCING PER:		Q.A.		SIZE	DWG. NO.	REV
NEXT ASSY	USED ON	MATERIAL See BM		COMMENTS:		<b>B</b>	<b>DATA-X7215-00</b>	
MODEL #		FINISH Polyester powder paint				SCALE: 1:18	WEIGHT:	SHEET 1 OF 3
APPLICATION		DO NOT SCALE DRAWING						

REV.	DESCRIPTION	DATE
-	See Sheet1	-

### Application parameters for VSA-3X1-46-P enclosure

VSA-3X1-46-P, display enclosure, UL-listing pending, Type 3R rating with 12000 BTU cooling

Viewing opening .....81.5" diagonal, 3 Portrait displays

Enclosure assembly outside dimensions..... 78.5" W x 74.5" H x 28.0" D

Video input.....VGA, DVI, HDMI, (see display specs)

Electrical requirement \* ..... 1 circuit, 120 VAC, 20 Amps  
1 circuit, 230 VAC, 15 amps

Cooling circuit (load) 230 volt.....10.3 Amps

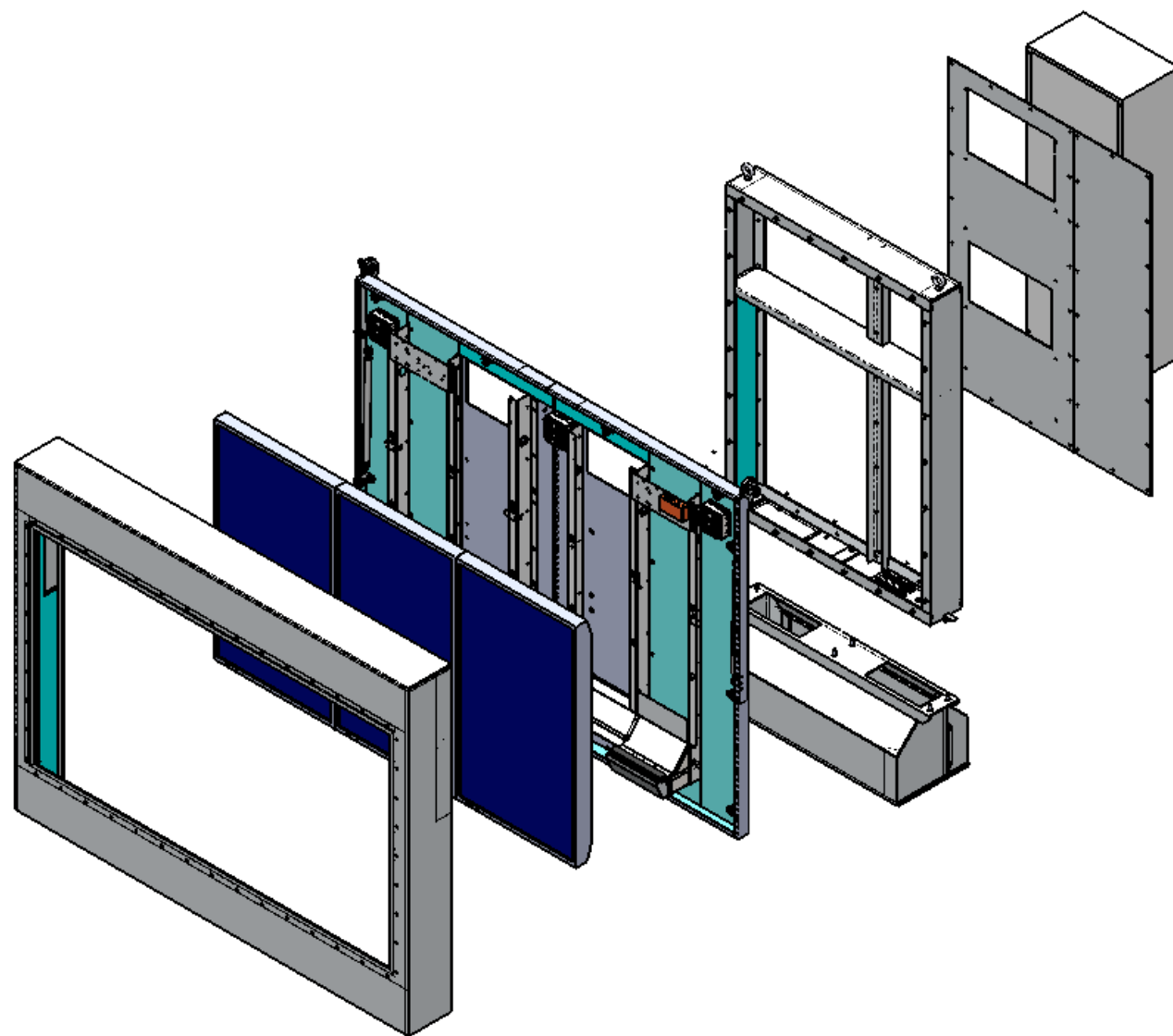
Electronic circuit (load) 120 volt.....13.0 Amps

Complete assembly weight, with displays..... 850 Lbs.

Required LCD DISPLAY.....NEC X461HB (3 units)

Display dimensions .....41.55" W x 23.96" H x 5.51" D

Display brightness, MAX .....1500 nit



### INSTALLATION ENVIRONMENT

Outdoor locations, with direct solar exposure

Allowed Ambient Temperature range

VSA-3X1-46-P.....(12000 BTU).....-40° to 48°C (-40° to 120°F)

Warranty.....3 years standard on all components  
(5 year warranty available)

\* For support of displays, extenders, and temperature monitor only

This enclosure is designed to support the use of "RapidRun" cables and or Cat-5 based extenders for video input with the PC or media player installed **remote** from the enclosure.

**PROPRIETARY AND CONFIDENTIAL**  
THE INFORMATION CONTAINED IN THIS DRAWING IS THE SOLE PROPERTY OF ITSENCLATURES. ANY REPRODUCTION IN PART OR AS A WHOLE WITHOUT THE WRITTEN PERMISSION OF ITSENCLATURES IS PROHIBITED.

UNLESS OTHERWISE SPECIFIED:					
DIMENSIONS ARE IN INCHES [mm]		DRAWN	eec	DATE	10-20-2010
TOLERANCES: (include finish)		CHECKED			
ANGULAR: MACH ± .20° BEND ± 1.0°		ENG APPR.			
TWO PLACE DECIMAL ± .030		MFG APPR.			
THREE PLACE DECIMAL ± .010		Q.A.			
HOLE SIZES .xxx +.010 -.000		COMMENTS:			
INTERPRET GEOMETRIC TOLERANCING PER:					
NEXT ASSY	USED ON	MATERIAL		TITLE:	
		See BM		Enclosure, AC cooled	
MODEL #		FINISH		Three portrait, NEC X461HB	
		Polyester powder paint		SIZE	DWG. NO.
APPLICATION		DO NOT SCALE DRAWING		<b>B</b>	DATA-X7215-00
				REV	
		SCALE: 1:20	WEIGHT:	SHEET 2 OF 3	

Conduit:  
 electrical power conduit to support (1)  
 120V, 20 amp minimum and (1) 230V, 15amp  
 circuit minimum  
 and  
 one (or more) data conduit (size to support  
 planned video and Cat-5 cables)

3/4" or 7/8" diameter  
 steel threaded bolts  
 16" deep (4)  
 see pattern

10.0±.10

10.0±.10

∅7.00

Conduit must protrude within  
 a 7" circle centered in the bolt pattern  
 to clear the mounting pedestal

(36)

(18)

Concrete footing:  
 Mass and depth as required  
 by local building codes.

Finish pad top at or  
 above grade.

4.00 inch length to allow use of leveling nuts  
 2.50 inch length minimum for attachment direct to concrete surface

**PROPRIETARY AND CONFIDENTIAL**  
 THE INFORMATION CONTAINED IN THIS  
 DRAWING IS THE SOLE PROPERTY OF  
 ITSENCLUSURES. ANY REPRODUCTION IN  
 PART OR AS A WHOLE WITHOUT THE  
 WRITTEN PERMISSION OF ITSENCLUSURES  
 IS PROHIBITED.

		UNLESS OTHERWISE SPECIFIED:		NAME	DATE	ITSENCLUSURES		
		DIMENSIONS ARE IN INCHES [mm]		DRAWN	eec			10-20-2010
		TOLERANCES: (include finish)		CHECKED			TITLE: Footing notes VSA-2X1-46-P	
		ANGULAR: MACH ± .20° BEND ± 1.0°		ENG APPR.				
		TWO PLACE DECIMAL ± .030		MFG APPR.				
		THREE PLACE DECIMAL ± .010		Q.A.				
		HOLE SIZES .xxx +.010 -.000		COMMENTS:				
		INTERPRET GEOMETRIC TOLERANCING PER:						
		MATERIAL						
		See BM						
		FINISH						
		Polyester powder paint						
NEXT ASSY	USED ON					SIZE	DWG. NO.	REV
						B	DATA-X7215-00	
APPLICATION		DO NOT SCALE DRAWING				SCALE: 1:24	WEIGHT:	SHEET 3 OF 3