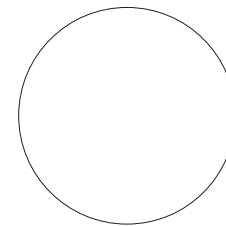




1294 Logan Circle NW
Atlanta, GA 30318, USA
Phone: (404) 350-9738
Fax: (404) 355-0166
info@ambaproducts.com
www.ambaproducts.com



BeyerleUS LLC | Atlanta
www.abp-beyerle.de



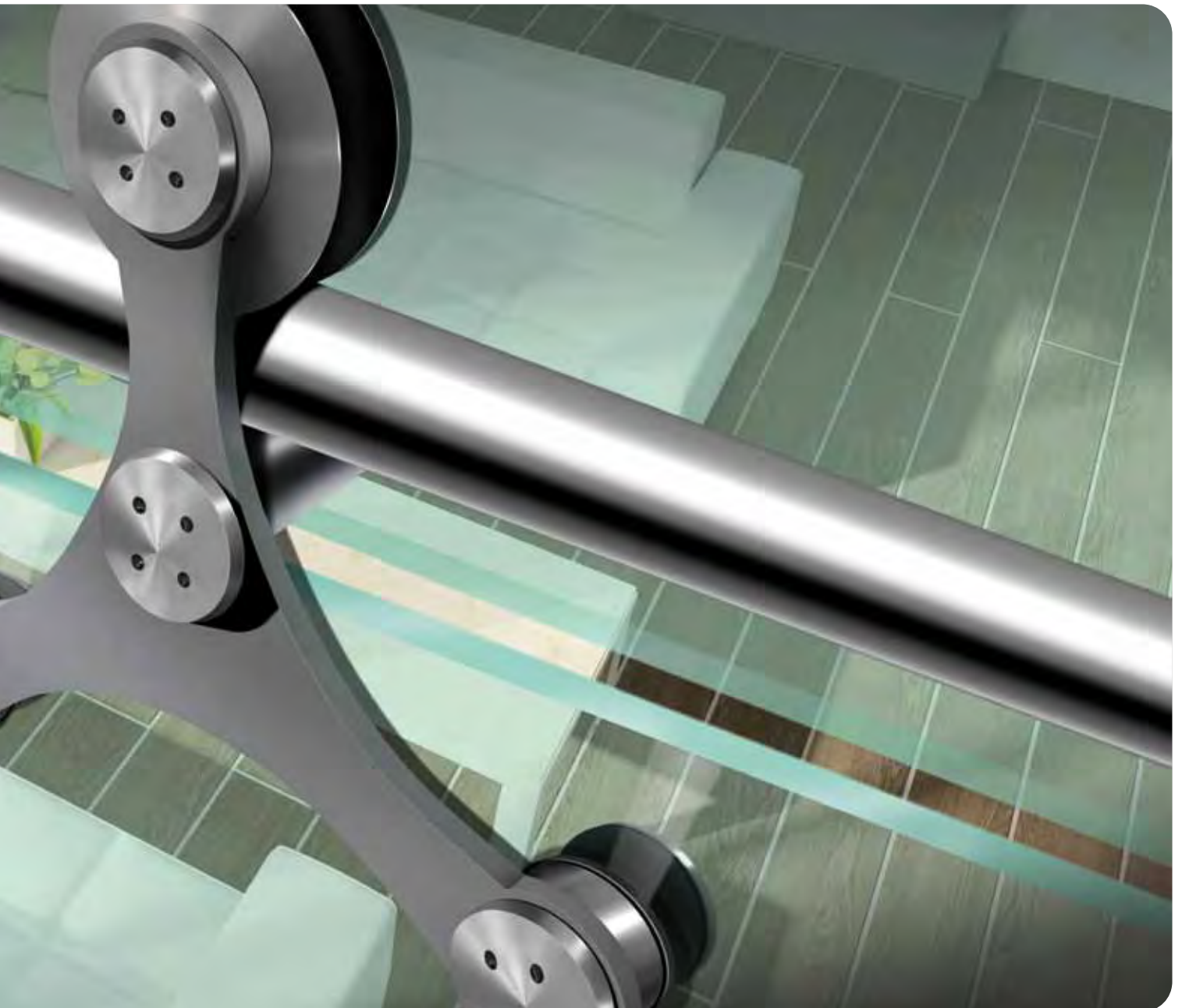
Sliding Door Systems

Stainless Steel Hardware ■ Leather Cabinet Hardware



Sliding Door Systems -
Stainless Steel Hardware
German Engineering

Sliding door fittings : 01



inspiration:quality

Our Philosophy

ABP-Beyerle – manufacturer of stainless steel fittings – combines aesthetic modern design with excellent quality and responsible manufacture.

Architects, building owners and tradesmen alike can place their trust in the high-quality „Made in Germany“ production from the family company in Bruchsal: the stainless steel fittings, ranging from unique specimens to exclusive series, are hand-finished in the company's own production plant!

Whether working on their own creations or as „Original Equipment Manufacturers“: industrial designer M. Scharo and his Development Team create products which meet the highest demands in design. The raw materials used are selected with extreme care and processed utilising the latest technology.

The result – a harmonious collection imbuing fitting elements in residential buildings, hotel facilities and office complexes with their own highly individual character – and mediating a special new perception of roomspace.

ABP-Beyerle's multi-faceted range includes not only equipment for sliding doors, glass doors and shower cabinet, but also for the manufacture of specific product series for the furniture industry, interior fittings and shop construction.

ABP-Beyerle set themselves high standards, from the selection of materials to punctual delivery. For this reason, comprehensive quality and procurement management is just a matter of course to us, as is rapid availability of our goods.

„Since 1995, our daily business has been to delight our customers“!
Andreas Beyerle, Owner of ABP-Beyerle GmbH

Unotec Home





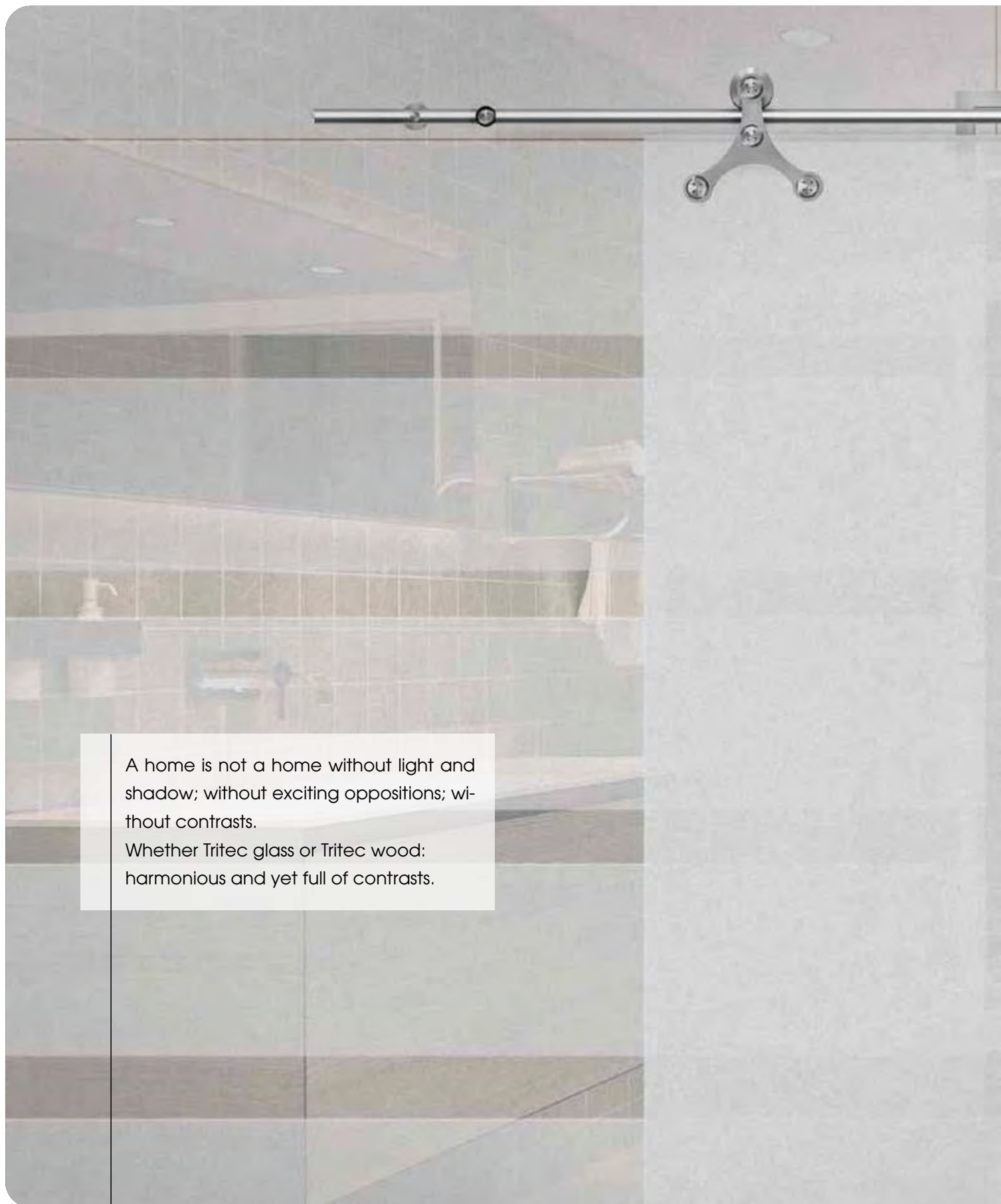
Unotec. Passion in every detail.

We invite you to partake of the passion with which we engage in our „worlds of rooms“.

„We do not reside in order to reside;
But rather we reside in order to live“.
(Paul J. Tillich)



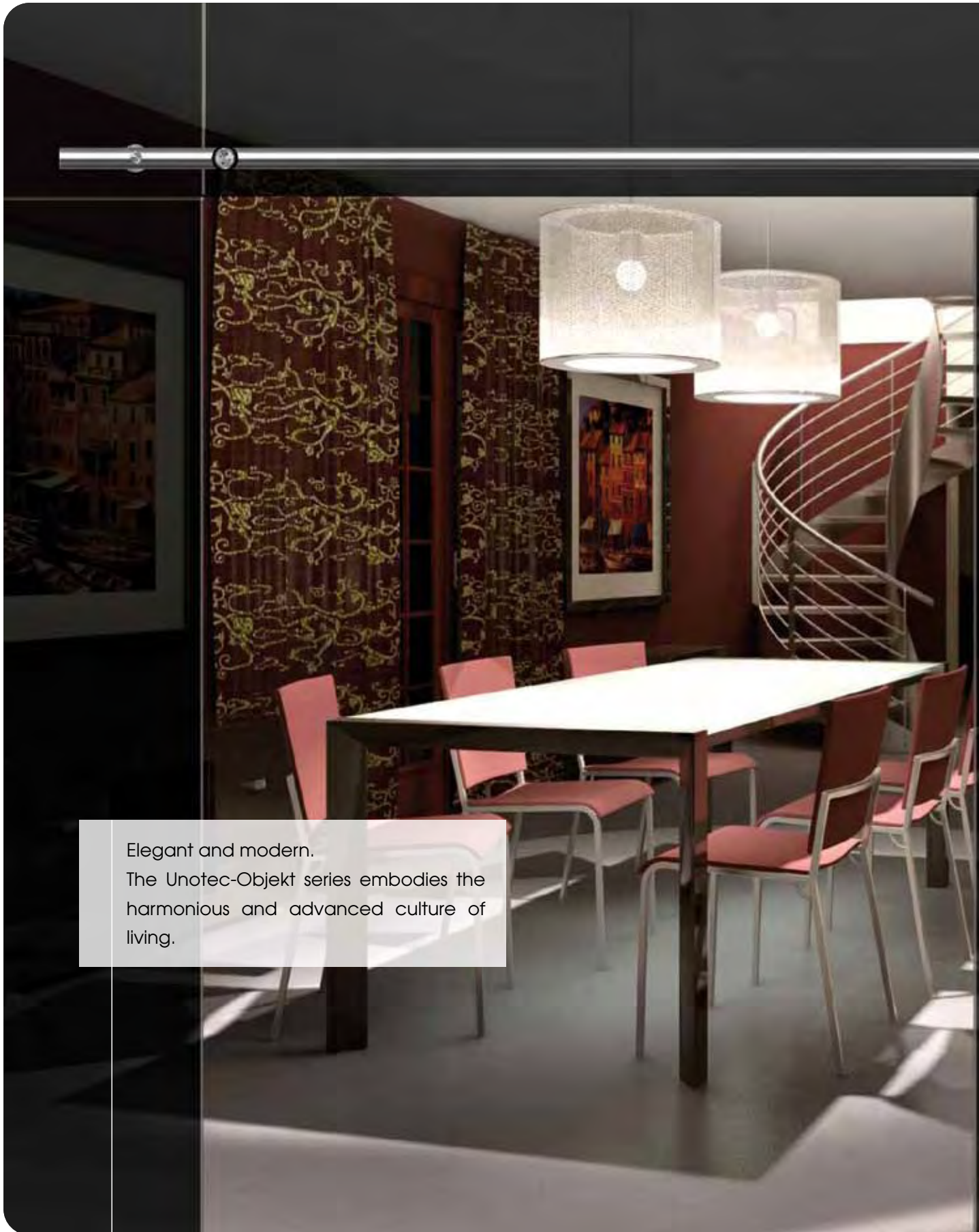
Tritec



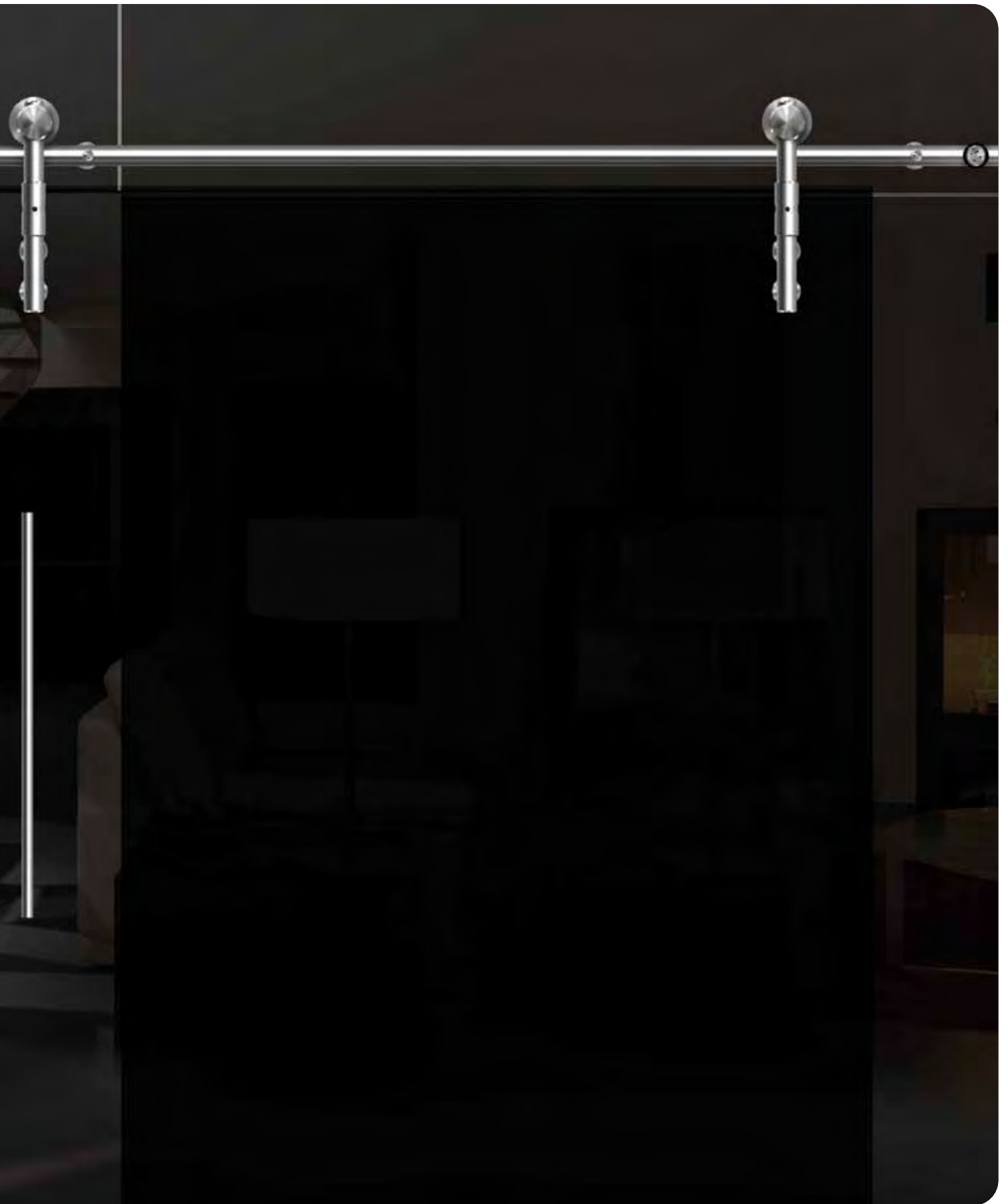
A home is not a home without light and shadow; without exciting oppositions; without contrasts.
Whether Tritec glass or Tritec wood:
harmonious and yet full of contrasts.



Unotec Objekt



Elegant and modern.
The Unotec-Objekt series embodies the
harmonious and advanced culture of
living.



Skater



Room divisions with privacy shields and light protection!

Using our sliding door system, you can employ privacy shields and light protection in a very special way!

Skater is the perfect example for a young, pleasant atmosphere with charisma.



Tritec





Technology transformed into aesthetics. Beautifully shaped, and yet so practical, Tritec is a product which meets discerning demands on line layout and optics.

Flatec I



Unotec Home







Flatec II





Take a glance at further door handles from our range of offers in our main catalogue, or on the Internet:
www.abp-beyerle.de

Shield





home  jewels[®]

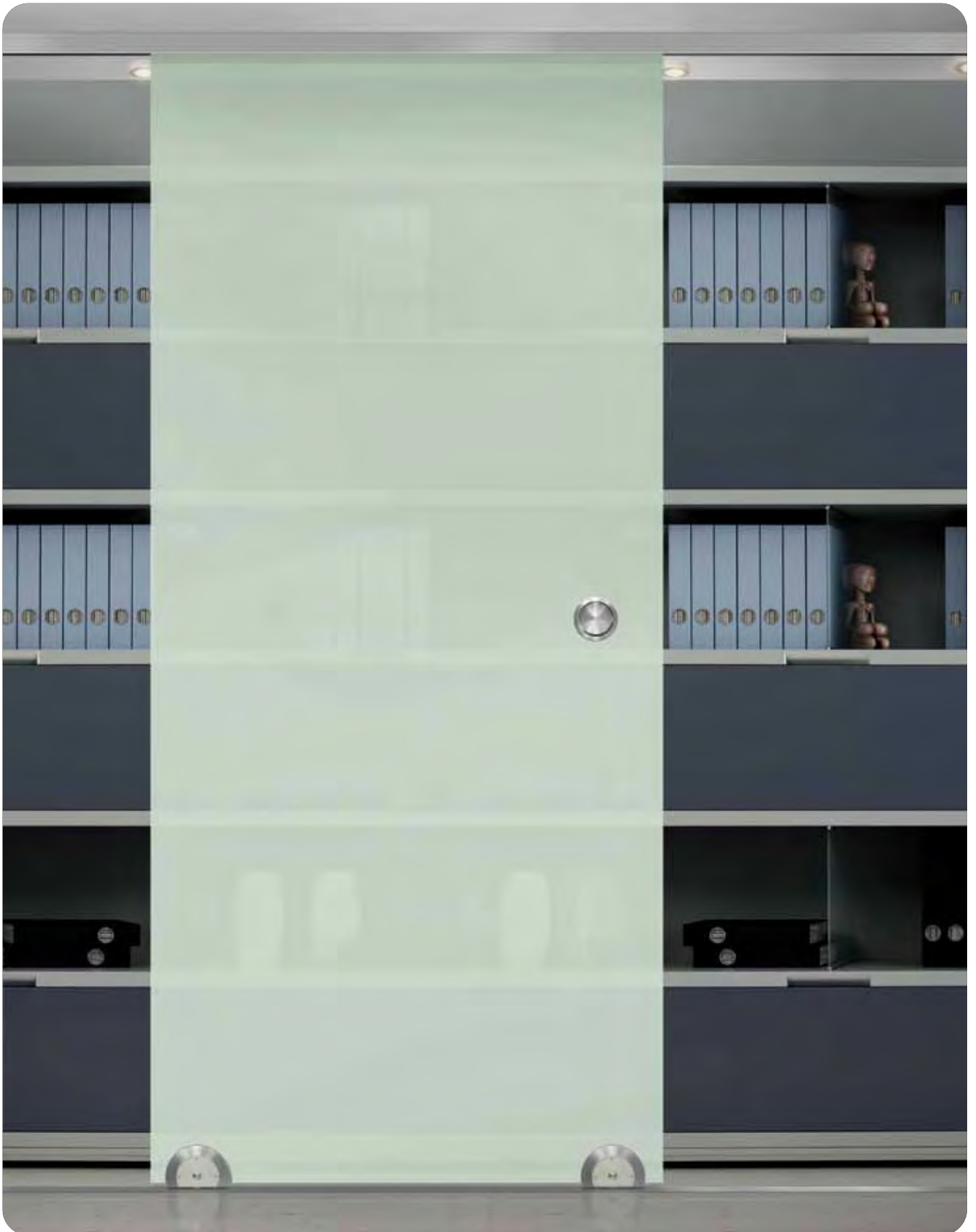
With their home jewels[®], the Design Team at ABP-Beyerle develop Zeitgeist artefacts which holistically serve to set new trends.

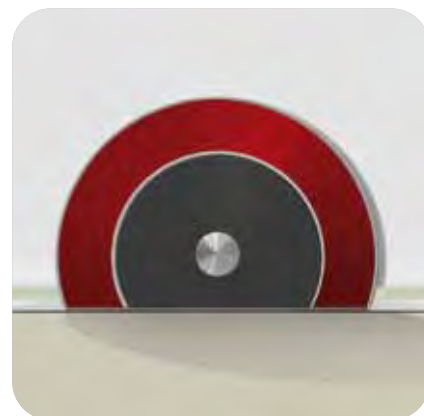
Duetec





Base bottom roller





Standard - Baseversion

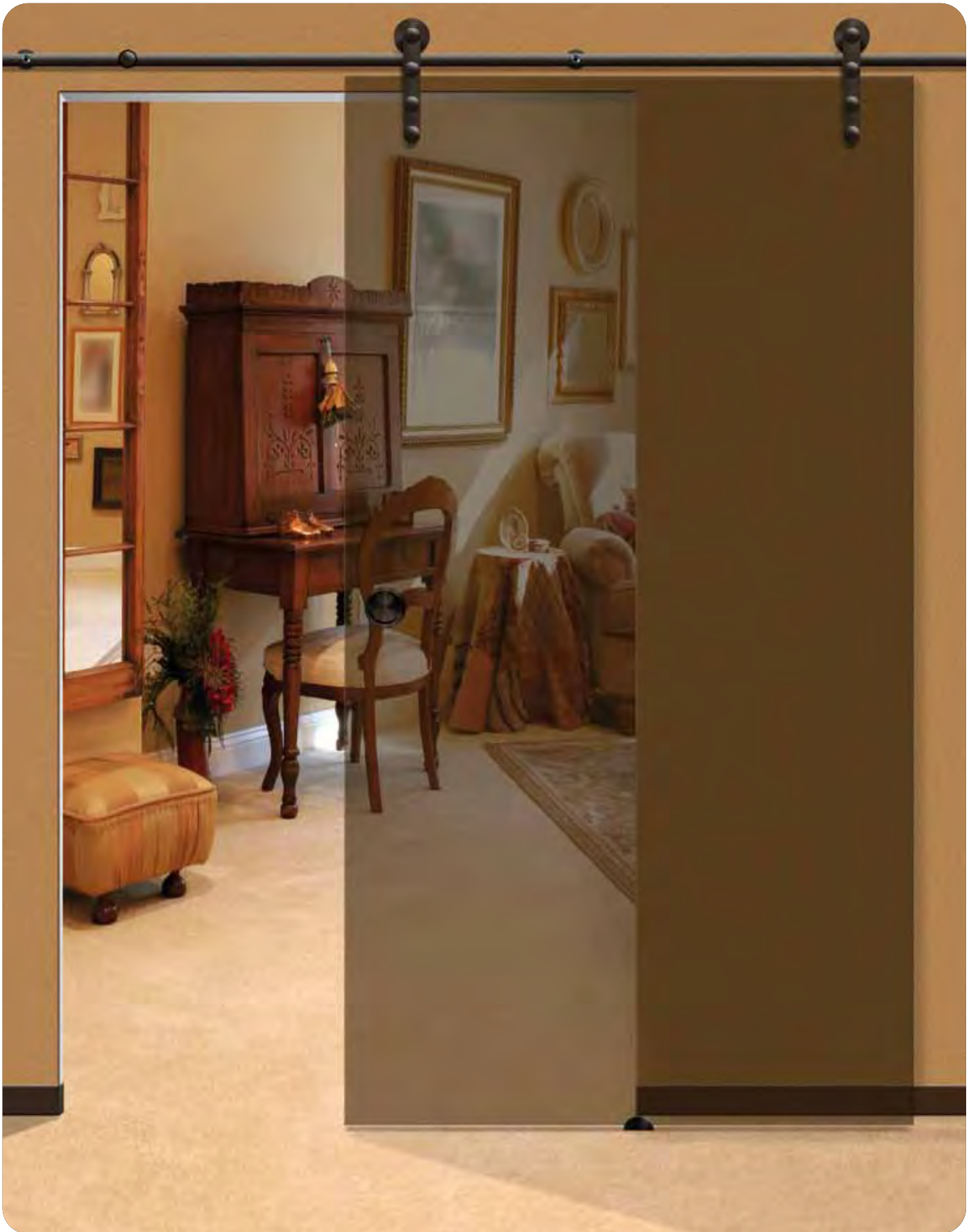


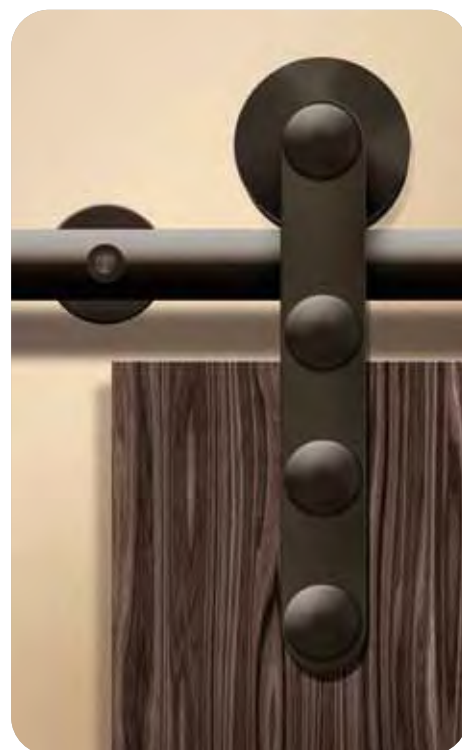
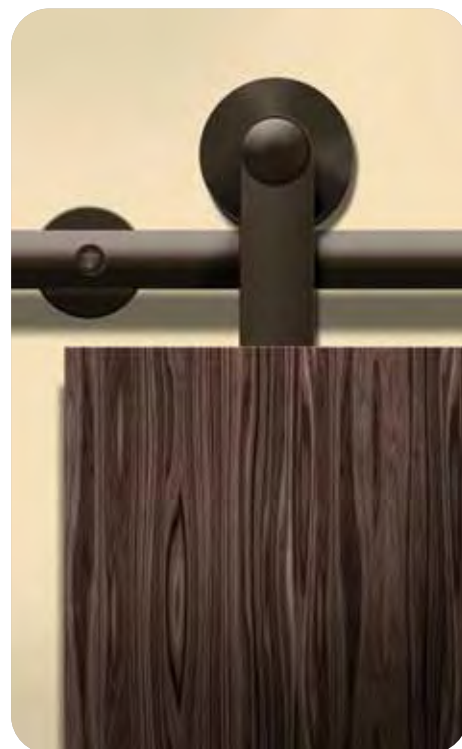
Recommended examples for inlay material and colour selections as inlays.

Silent Glam

„Silent Glam“ - Silent glamour and diversity. As individual as the colour scheme of your rooms. From pure stainless steel to extravagant material concepts. We are happy to advise you in selecting the material and colours you suggest.

Antra





Heritage-Style.

In this series, the stainless steel fittings are available in one hue which fits into both a Country and Western-style room and into a modern, stylish ambience as a contrast focus.

Door handle



SI545-30EP-L042...



SI545-30EF-H014...



SG600-20EF...



SN625-25EF...



SI600-25EF...



SI614-30EP-H013...



GO60-4EF



GN75-14EF

Examples from our range of pull door handles.

Summary



P. 04/05
Unotec Home, Glass
EU - Art. Nr. USH34
US - Item No. USU34



P. 06/07
Tritec, Glass
EU - Art. Nr. USO64
US - Item No. USU64



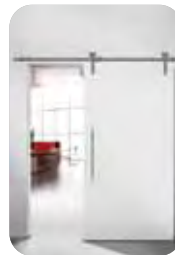
P. 08/09
Unotec Objekt, Glass
EU - Art. Nr. USO24
US - Item No. USU24



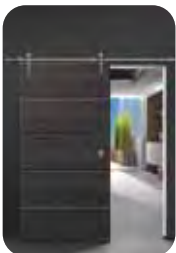
P. 10/11
Skater, Wood
EU - Art. Nr. USO92
US - Item No. USU92



P. 12/13
Tritec, Wood
EU - Art. Nr. USO65
US - Item No. USU65



P. 14
Flatec I, Wood
EU - Art. Nr. USO45
US - Item No. USU45



P. 15
Unotec Home, Wood
EU - Art. Nr. USH35
US - Item No. USU35



P. 16/17
Flatec I, Glass
EU - Art. Nr. USO44
US - Item No. USU44



P. 18/19
Flatec II, Wood
EU - Art. Nr. USO55
US - Item No. USU55



P. 20/21
Shield, Glass
EU - Art. Nr. USO90
US - Item No. USU90

Shield, (Wood)
EU - Art. Nr. USO91
US - Item No. USU91

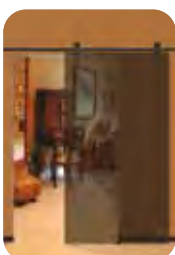


P. 22/23
Duetec, Glass
EU - Art. Nr. USO74
US - Item No. USU74



P. 24/25
Base bottom roller, Glass
EU - Art. Nr. USO80
US - Item No. USO80

Base bottom roller, (Wood)
EU - Art. Nr. USO81
US - Item No. USO81



P. 26
Antra 1, Glass
Dark Bronze
EU - Art. Nr. USO46
US - Item No. USU46



P. 27
Antra 1, Wood
Dark Bronze
EU - Art. Nr. USO47
US - Item No. USU47
Antra 2, Wood
EU - Art. Nr. USO56
US - Item No. USU56



P. 28
Pull door handles
EU - Art. Nr. SI...
EU - Art. Nr. SI...
EU - Art. Nr. SG...
US -Item No. SI/SI/SG...



P. 29
Pull door handles
EU - Art. Nr. SN...
EU - Art. Nr. SI...
EU - Art. Nr. SI...
US -Item No. SN/SI/SI...



P. 29
Flush handles
EU - Art. Nr. GO...
EU - Art. Nr. GN...
US -Item No. GO/GN...

You can find detailed information on our products in the complete ABP-Beyerle catalogue or at www.abp-beyerle.de.

Guarantee: All products shown here are copyrighted. We reserve all rights from the copyright law for this catalogue. It is not permitted to copy the catalogue or parts of it in any way without our written authorisation. Subject to technical modifications. No guarantee can be assumed for printing errors or mistakes. Subject to colour variations.

ABP-Beyerle 2010

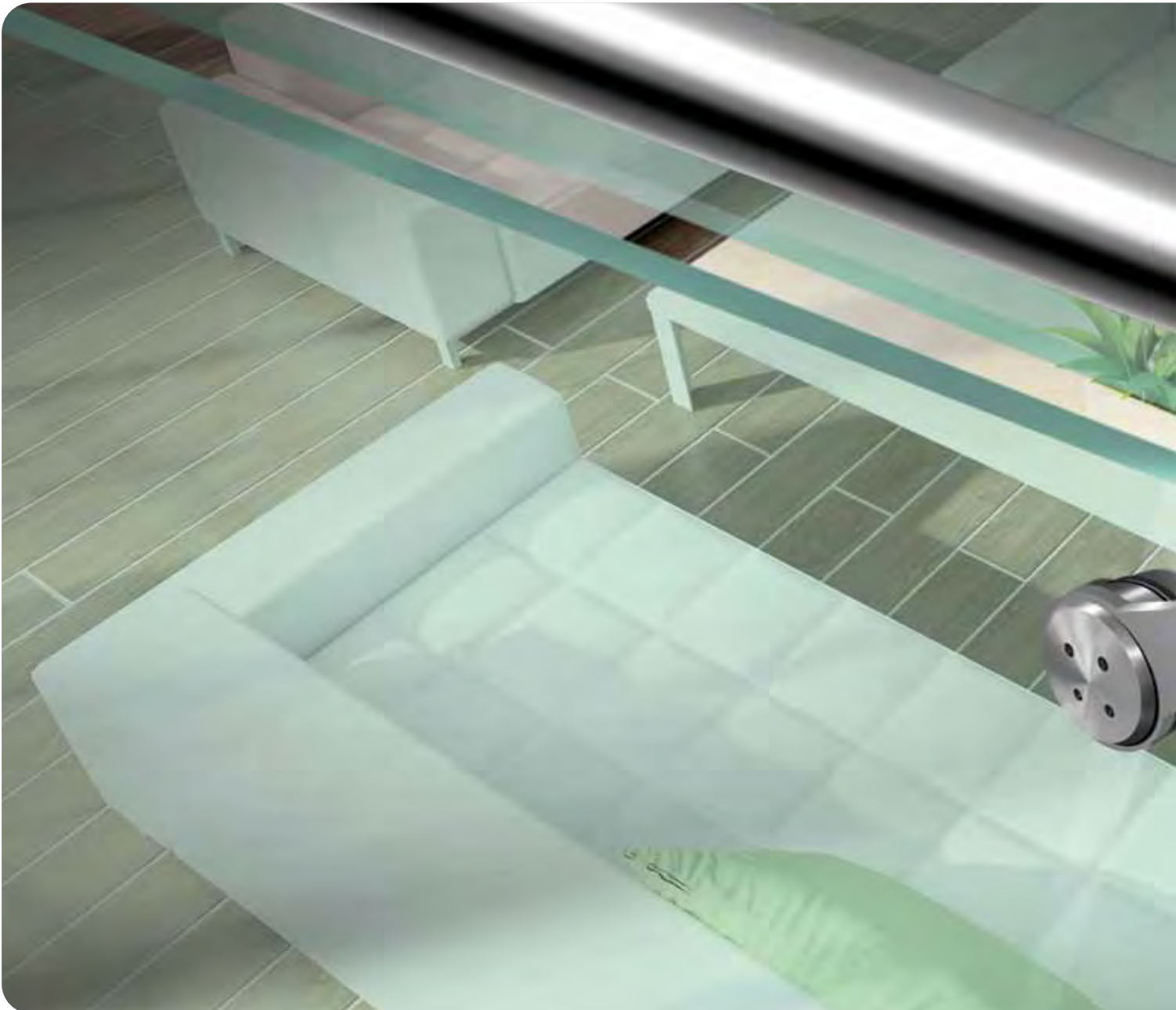


Distributed in North America and Canada

1294 Logan Circle NW
Atlanta, GA 30318, USA
Phone: (404) 350-9738
Fax: (404) 355-0166
info@ambaproducts.com
www.ambaproducts.com



www.abp-beyerle.de



Sliding Door Fittings : 02
Technical Information :



Evidence of Performance Hardware for sliding doors as per DIN EN 1527 : 1998

Test Report 215 43216

Translation of Test Report 215 43216 dated
16 August 2010

Client **ABP-Beyerle GmbH**
Im Schollengarten 24b
D-76646 Bruchsal



Basis

DIN EN 1527 : 1998 – Hardware for sliding doors and folding doors - Requirements and test methods

Representation



Instructions for use

This test report serves to verify the performance of hardware as per DIN EN 1527 : 1998

Validity

The data and results given refer solely to the tested construction products.

Notes on publication

The ift Guidance Sheet "Conditions and Guidance for the Use of ift Test Documents" applies. The cover sheet can be used as an abstract.

Contents

This report comprises a total of 39 pages:
1 Object
2 Procedure
3 Detailed results
4 Evaluation of test results
5 Overall assessment
Annex 1 (26 pages)

Construction product	Hardware for sliding doors
Designation	Flatec 1; Flatec 2; Unotec Home; Tritec; Antra 1; Antra 2
Item numbers for timber doors	USO45; USO55; USH35; USO65; USO47; USO56
Item numbers for glass doors	USO44; USH34; USO64; USO46;
Track	PEF-US-LS18W
Rollers for timber doors	USO121EF; USO130EF; USH105EF; USO123EF; USO129EF; USO131EF
Rollers for glass doors	USO120EF; USH100EF; USO122EF; USO126EF
Wall connection	USO215EF(timber door) and USO210EF(glass door)
Max. load-bearing capacity	100 kg
Fixing of track supports	M8 stud screw
Installation and assembly	According to installation and assembly instructions of company ABP-Beyerle GmbH



The hardware for sliding doors qualifies for the following classification as per DIN EN 1527:1998:

Category of use	Durability	Door mass	Fire resistance	Safety	Corrosion resistance	Security	Application	Initial friction
-/-	6	2	0	-/-	4	-/-	1	3

ift Rosenheim
9 September 2010

Christian Kehrer
Christian Kehrer, Dipl.-Ing. (FH)
Head of Testing Department

A. Spreitzer
Alexander Spreitzer
Product engineer
Building components

PTE Rosenheim GmbH
ift Zentrum – Türen, Tore, Sicherheit
Geschäftsführer:
Dr. Jochen Perchl

Theodor-Greif-Str. 7 – 9
D-83026 Rosenheim
Tel.: +49 (0)90517281-0
Fax: +49 (0)90517281-226
www.pte-rosenheim.de

Sitz: 83026 Rosenheim
AG Traunstein, HRB 14822
Sparkasse Rosenheim
Nto. 500 435 900
BLZ 711 500 00

Notified Body No.: 0757
Anerkannte PUZ-Stelle: BAY 18

Fittings for sliding doors
in accordance
with DIN EN 1527 : 1998

The testing institute ift Rosenheim has successfully tested our ABP-Beyerle sliding door systems for glass or wooden doors. The assessment tests apply for the systems Flatec I, Flatec II, Unotec Home, Duetec, Tritec, Antra I, Antra II among others.

Duration of functional ability:
100,000 cycles

Door mass:
100 kg, (Duetec 60 kg)

Corrosion resistance:
240 h salt spray fog test
in accordance with EN 1670

Initial friction:
less than or equal to 40 N
(with a 100 kg door)

: Contents

Base bottom roller	4 - 5	Wall and ceiling fixtures	24 - 26
Sets for glass sliding doors	6 - 12	Mounting on glass	26
Sets for wooden sliding doors	13 - 20	Trolleys	27 - 30
Planning guide (extract)	21 - 23	Door stoppers , Bottom guides	30 - 31
System components for sliding doors	24 - 31	System components for Silent Glam	32 - 33
Guide rails	24	Door handles, flush handles	34 - 35

Model, program, technical modifications, information and errors are excepted. The right to make design or specification changes is reserved at any time.



ABP  **beyerle**
inspiration:quality

home  jewels®

Sliding door systems made from stainless steel

Sliding doors made from glass and wood are fascinating and lend rooms a special flair. Visible technology and high-grade craftsmanship set new accents in room design. All products are characterised by their solid construction, easy use and very quiet movement. There are different designs of sliding door systems for glass and wood doors available to satisfy your designing needs: Flatec I and II, Unotec, Duetec, Tritec, Antra I and II, Shield, Skater and Base bottom roller Silent Glam.

You can choose prefabricated sets or individually plan your sliding door system. We can supply a large selection of fitting door handles and grip shells. Please refer to www.abp-beyerle.com for new designs and extensive information.

Base bottom roller : Sets for glass doors



▨ : Silent Glam I Glass ▨

Complete-sets, standard model $t = 5/16'' - 1/2''$ consisting of:

- 1 Ceiling guide rail, stainless steel optic, USO82EO
- 1 Stopper set USO82-S
- 1 Slide protection set (felt)
- 1 Bottom guide rail, stainless steel, USO86.1EF (with drilling)
length: see table
- 1 Pair of base bottom rollers, stainless steel, USO180EF
- 1 Allen key (SW2,5), Z927
- 1 Installation instructions

Set numbers $t = 5/16'' - 1/2''$	Ceiling/bottom rail length inch	Passage width inch
USO80.1-1900EF	74 $3/16''$	29 $1/2'' - 35 7/16''$
USO80.1-2100EF	82 $11/16''$	35 $13/16'' - 39 3/8''$
USO80.1-2350EF	92 $1/2''$	39 $3/4'' - 44 1/16''$
USO80.1-2600EF	102 $3/8''$	44 $1/2'' - 49 3/16''$

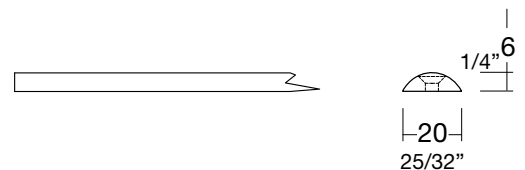
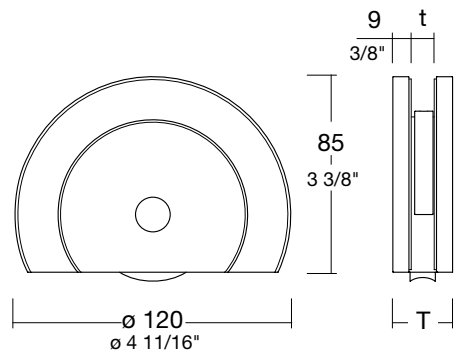
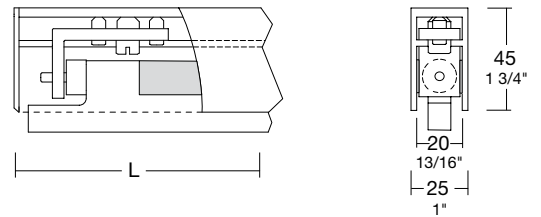
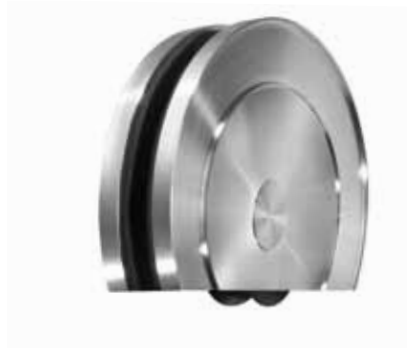
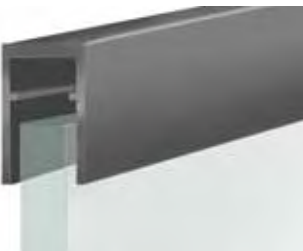
▼ Glass drill holes please have a look at the planning guide

The maximum door weight is 150 kg (330 lbs)

You can find planning guides with drill hole sizes and installation instructions at www.abp-beyerle-us.com

Please note: The floor has to leveled!

- + For special lengths for ceiling/bottom guide rails other individual components and accessories. For bottom guide rails without drillings please order custom length (USO-86EF) refer to page 32





Outer inlay - white glass, USO281G003
Center inlay - black glass, USO280G004



Base version
Center inlay - satin stainless steel, USO280EF



Outer inlay - black glass, USO281G004
Center inlay - satin stainless steel, USO280EF



Outer inlay - black glass, USO281G004
Center inlay - white glass, USO280G003
Recommended examples for inlay material
and colour selections as inlays.

Silent Glam

“Silent Glam“ - Silent glamour and diversity. As individual as the colour scheme of your rooms. From pure stainless steel to extravagant material concepts.

Base bottom roller

: Sets for glass doors



Belans I Glass

Complete-sets, standard model

t = 5/16" (8 mm) - 1/2" (12,7 mm) consisting of:

- 1 Ceiling guide rail stainless steel optic USO 82EO
- 1 Door stop set USO82-S
- 1 Bottom guide rail with drills, stainless steel, USO86.1EF
- 1 Pair base bottom roller, stainless steel (AISI303) USO182EF
- 1 Allen key (SW2,5), Z927
- 1 Installation instruction

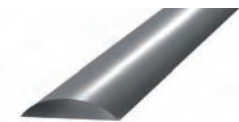
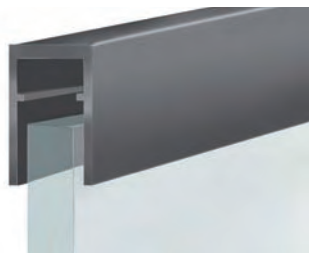
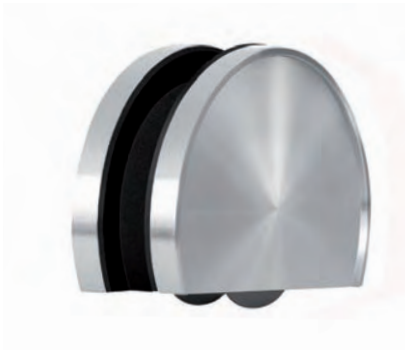
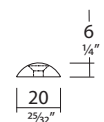
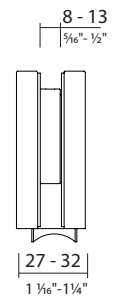
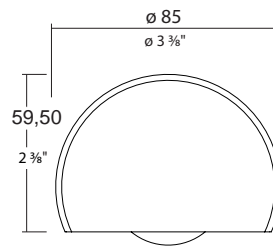
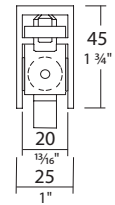
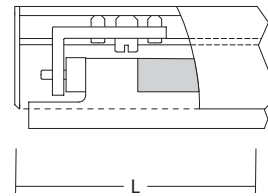
Set numbers t = 5/16" - 1/2"	Ceiling/bottom rail length inch	Passage width inch
USO81.1-1900EF	74 3/16"	29 1/2" - 35 7/16"
USO81.1-2100EF	82 11/16"	35 13/16" - 39 3/8"
USO81.1-2350EF	92 1/2"	39 3/4" - 44 1/16"
USO81.1-2600EF	102 1/2"	44 1/2" - 49 3/16"

▼ Glass drill holes please have a look at the planning guide
The maximum door weight is 150 kg

You can find planning guides with drill hole sizes and installation instructions at www.abp-beyerle-us.com

Please note: The floor has to leveled!

+ Customized lengths for ceiling/bottom rails, other individual components and accessories are available.



ABP beyerle

1294 Logan Circle NW | Atlanta, GA 30318, USA
Phone: (404) 350-9738 | Fax: (404) 355-0166
info@ambaproducts.com | www.ambaproducts.com



Beyerle US LLC | Atlanta
www.abp-beyerle.de

Base bottom roller

: Sets for wooden doors



: Belans I Wood

Complete-sets, standard model

t = 1 1/2" (38 mm) - 1 3/4" (45 mm) consisting of:

- 1 Ceiling guide rail stainless steel optic USO 82EO
- 1 Door stop set US082-S
- 1 Bottom guide rail with drills, stainless steel, USO86.1EF
- 1 Pair base bottom roller, stainless steel (AISI303) USO183EF
- 1 Allen key (SW2,5), Z927
- 1 Installation instruction

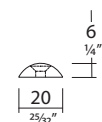
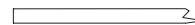
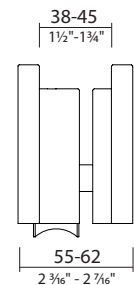
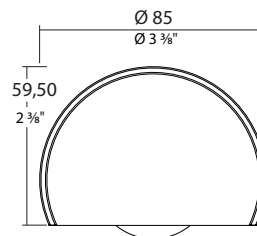
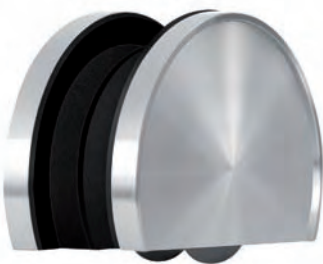
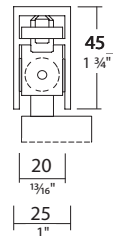
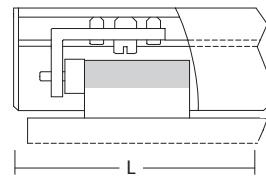
Set numbers t = 1 1/2" - 1 3/4"	Ceiling/bottom rail length inch	Passage width inch
USO81.2-1900EF	74 3/16"	29 1/2" - 35 7/16"
USO81.2-2100EF	82 11/16"	35 13/16" - 39 3/8"
USO81.2-2350EF	92 1/2"	39 3/4" - 44 1/16"
USO81.2-2600EF	102 1/2"	44 1/2" - 49 3/16"

▼ Wood drill holes please have a look at the planning guide
The maximum door weight is 150 kg

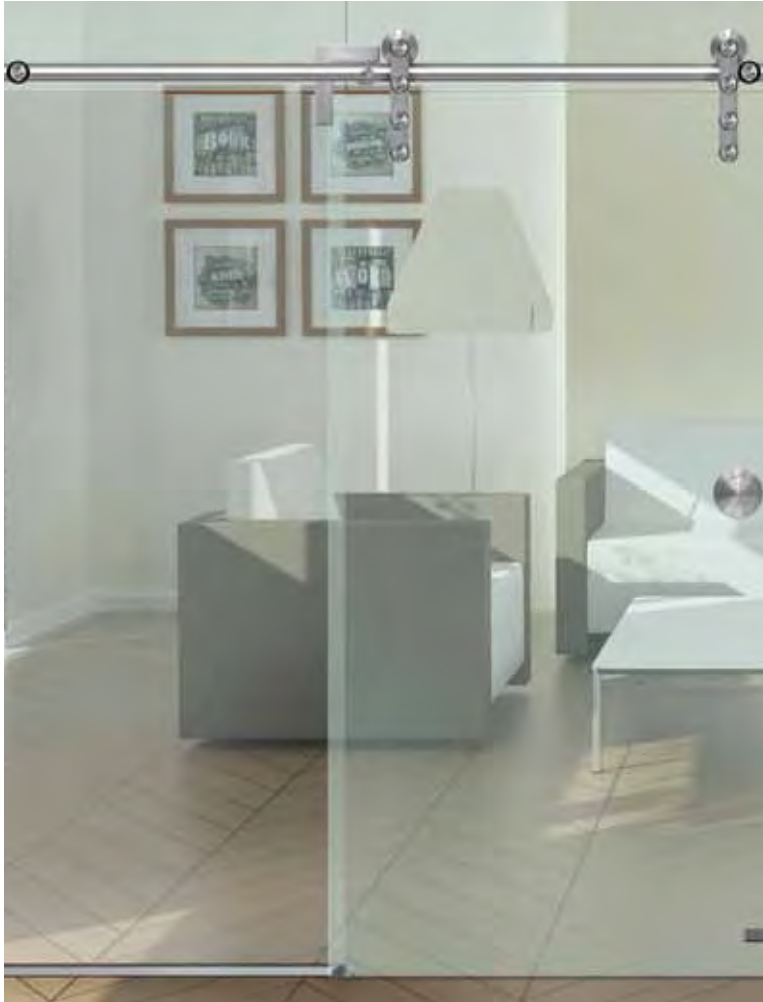
You can find planning guides with drill hole sizes and installation instructions at www.abp-beyerle-us.com

Please note: The floor has to be leveled!

+ Customized lengths for ceiling/bottom rails, other individual components and accessories are available.



Sets for glass doors



Flatec I Glass

Complete-sets, standard model $t = 5/16'' - 1/2''$
height-adjustable approx. $\pm 1/8''$, consisting of:

- 1 Guide rail, solid stainless steel, $\varnothing 1''$, USO200EF
length: see table
- 3 - 4 Wall attachments, stainless steel, USO210EF
- 2 Trolleys Flatec I glass, stainless steel, USO120EF
- 2 Door stopper, stainless steel, USO251EF
- 1 Bottom guide, stainless steel, USO260EF
- 1 Special tool for decorative screws, Z923
- 1 Installation instructions

Set numbers	Guide rail length inch	Passage width inch
USU44-1800EF	70 7/8"	29 1/2" - 35 7/16"
USU44-2100EF	82 11/16"	35 13/16" - 39 3/8"
USU44-2300EF	90 9/16"	39 3/4" - 44 1/16"
USU44-2540EF	100"	44 1/2" - 49 3/16"

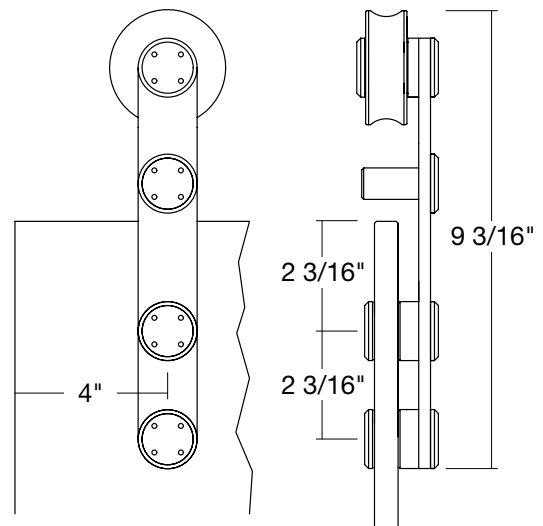
▼ Glass drill holes $\varnothing 1/2''$

The maximum door weight is 100 kg (220 lbs)

For baseboards and trimmings, order spacer, (stainless steel, USO226-19EF) separately for each wall attachment, Cf. planning guide or page 21/22

You can find planning guides with drill hole sizes and installation instructions at www.beyerle-us.com

+ For special lengths for guide rails, other individual components and accessories, refer to page 24ff.



/// : Unotec Home | Glass

Complete-sets, standard model $t = 5/16'' - 1/2''$
consisting of:

- 1 Guide rail, solid stainless steel, $\varnothing 1''$, USO200EF
length: see table
- 3 - 4 Wall attachments, stainless steel, USU210EF
- 2 Trolleys Unotec Home glass, stainless steel, USH100EF
- 2 Door stopper, stainless steel, USO250EF
- 1 Bottom guide, stainless steel, USO260EF
- 1 Special tool for decorative screws, Z923
- 1 Installation instructions

Set numbers	Guide rail length inch	Passage width inch
USU34-1800EF	70 7/8"	29 1/2" - 35 7/16"
USU34-2100EF	82 11/16"	35 13/16" - 39 3/8"
USU34-2300EF	90 9/16"	39 3/4" - 44 1/16"
USU34-2540EF	100"	44 1/2" - 49 3/16"

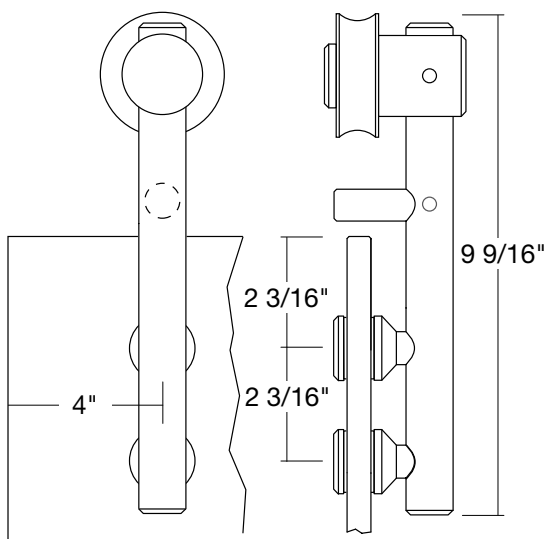
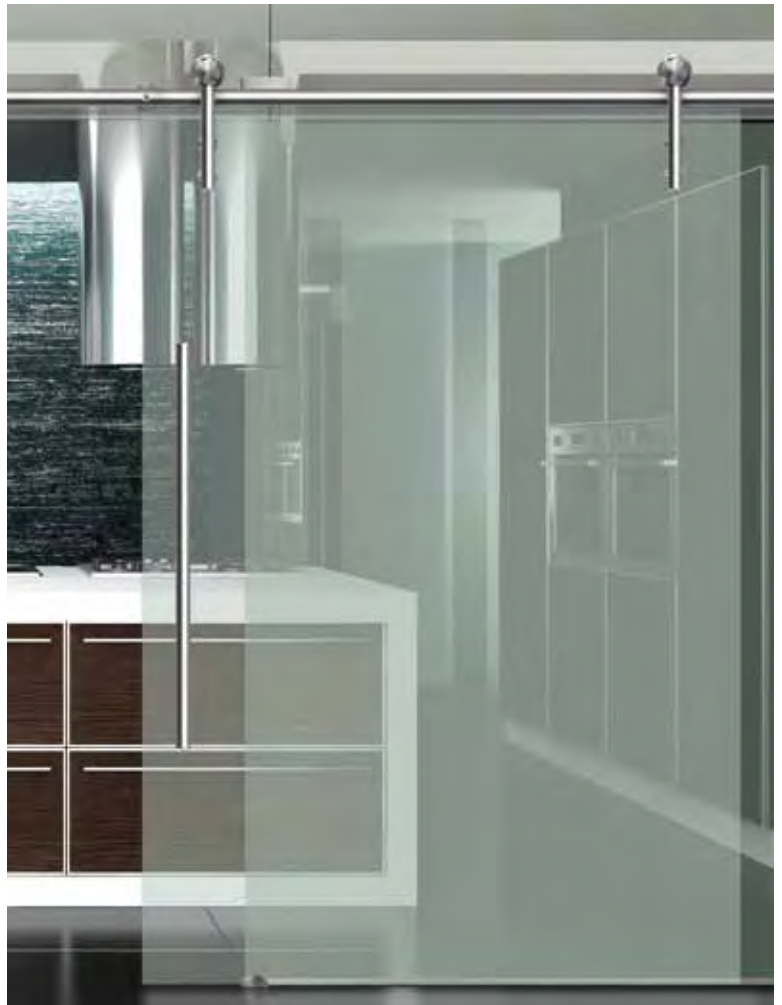
▼ Glass drill holes $\varnothing 1/2''$

The maximum door weight is 100 kg (220 lbs)

For baseboards and trimmings, order spacer, (stainless steel, USO226-19EF) separately for each wall attachment, Cf. planning guide or page 21/22

You can find planning guides with drill hole sizes and installation instructions at www.beyerle-us.com

- + For special lengths for guide rails, other individual components and accessories, refer to page 24ff.



Sets for glass doors



Unotec Objekt | Glass

Complete-sets, standard model $t = 5/16'' - 1/2''$
 Height-adjustable approx. $\pm 5/16''$, consisting of:

- 1 Guide rail, solid stainless steel, $\varnothing 1''$, USO200EF
 Length: see table
- 3 - 4 Wall attachments, stainless steel, USO210EF
- 2 Trolleys Unotec Objekt glass, stainless steel, USO100EF
- 2 Door stopper, stainless steel, USO250EF
- 1 Bottom guide, stainless steel, USO260EF
- 1 Special tool for decorative screws, Z923
- 1 Installation instructions

Set numbers	Guide rail length inch	Passage width inch
USU24-1800EF	70 7/8"	29 1/2" - 35 7/16"
USU24-2100EF	82 11/16"	35 13/16" - 39 3/8"
USU24-2300EF	90 9/16"	39 3/4" - 44 1/16"
USU24-2540EF	100"	44 1/2" - 49 3/16"

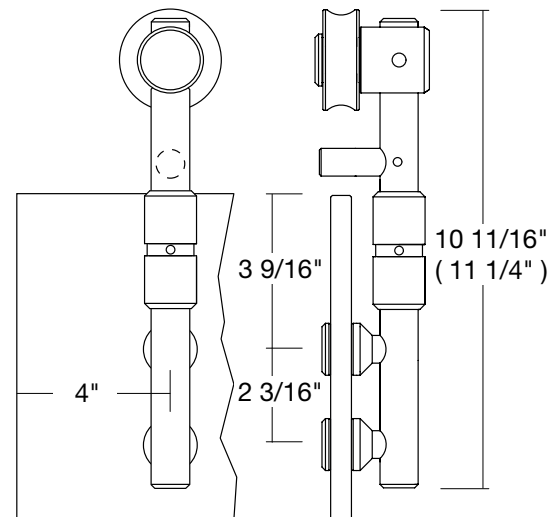
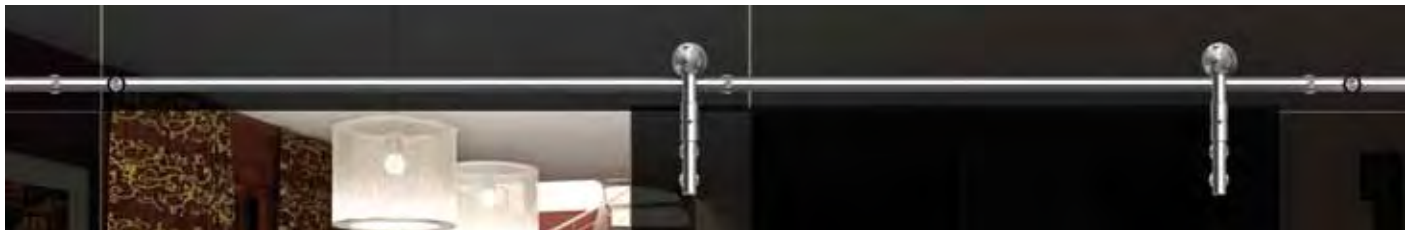
▼ Glass drill holes $\varnothing 1/2''$

The maximum door weight is 100 kg (220 lbs)

For baseboards and trimmings, order spacer, (stainless steel, USO226-19EF) separately for each wall attachment, Cf. planning guide or page 21/22

You can find planning guides with drill hole sizes and installation instructions at www.beyerle-us.com

+ For special lengths for guide rails, other individual components and accessories, refer to page 24ff.



/// : Duetec | Glass

Complete-sets, standard model $t = 5/16'' - 3/8''$
height-adjustable approx. $\pm 1/8''$, consisting of:

- 1 Guide rail, solid stainless steel, $\varnothing 1''$, USO200EF
length: see table
- 3 - 4 Wall attachments, stainless steel, USO210EF
- 2 Trolleys Duetec glass, stainless steel, USO110EF
- 2 Door stopper, stainless steel, USO251EF
- 1 Bottom guide, stainless steel, USO260EF
- 1 Special tool for decorative screws, Z923
- 1 Installation instructions

Set numbers	Guide rail length inch	Passage width inch
USU74-1800EF	70 7/8"	29 1/2" - 35 7/16"
USU74-2100EF	82 11/16"	35 13/16" - 39 3/8"
USU74-2300EF	90 9/16"	39 3/4" - 44 1/16"
USU74-2540EF	100"	44 1/2" - 49 3/16"

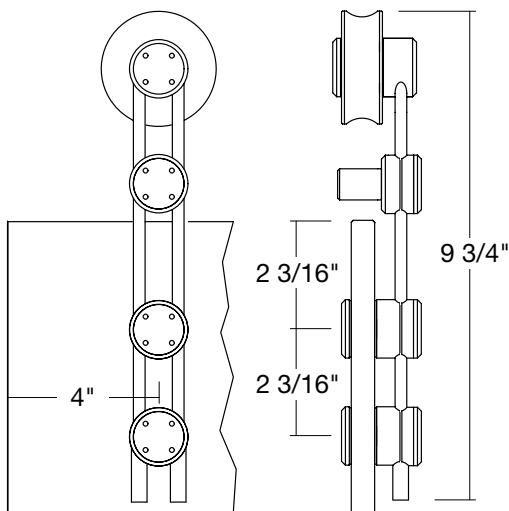
▼ Glass drill holes $\varnothing 1/2''$

The maximum door weight is 60 kg (132 lbs)

For baseboards and trimmings, order spacer, (stainless steel, USO226-19EF) separately for each wall attachment, Cf. planning guide or page 21/22

You can find planning guides with drill hole sizes and installation instructions at www.beyerle-us.com

+ For special lengths for guide rails, other individual components and accessories, refer to page 24ff.



Sets for glass doors



▨ : Tritec | Glass ▨

Complete-sets, standard model $t = 5/16'' - 1/2''$
height-adjustable approx. $\pm 1/8''$, consisting of:

- 1 Guide rail, solid stainless steel, $\varnothing 1''$, USO200EF
length: see table
- 3 - 4 Wall attachments, stainless steel, USO210EF
- 2 Trolleys Tritec glass, stainless steel, USO122EF
- 2 Door stopper, stainless steel, USO251EF
- 1 Bottom guide, stainless steel, USO260EF
- 1 Special tool for decorative screws, Z923
- 1 Installation instructions

Set numbers	Guide rail length inch	Passage width inch
USU64-1800EF	70 7/8"	29 1/2" - 35 7/16"
USU64-2100EF	82 11/16"	35 13/16" - 39 3/8"
USU64-2300EF	90 9/16"	39 3/4" - 44 1/16"
USU64-2540EF	100"	44 1/2" - 49 3/16"

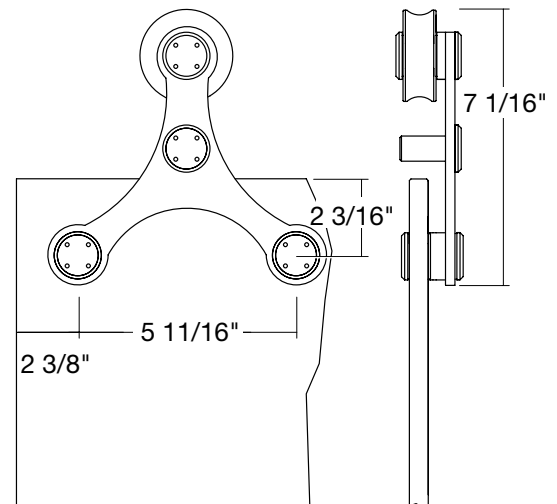
▼ Glass drill holes $\varnothing 1/2''$

The maximum door weight is 100 kg (220 lbs)

For baseboards and trimmings, order spacer, (stainless steel, USO226-19EF) separately for each wall attachment, Cf. planning guide or page 21/22

You can find planning guides with drill hole sizes and installation instructions at www.beyerle-us.com

- + For special lengths for guide rails, other individual components and accessories, refer to page 24ff.



/// : Shield | Glass

Complete-sets, standard model dt = 5/16" - 1/2"
height-adjustable approx. +/- 1/8", consisting of:

- 1 Guide rail, solid stainless steel, \varnothing 1", USO200EF
length: see table
- 3 - 4 Wall attachments, stainless steel, USU212EF,
- 2 Trolleys Shield glass, stainless steel, USO140EF with cover
- 2 Door stopper, stainless steel optic, USO252EO
- 1 Bottom guide, stainless steel, USO261EF
- 1 Allen key (SW5), Z926
- 1 Installation instructions

Set numbers	Guide rail length inch	Passage width inch
USU90-1800EF	70 7/8"	29 1/2" - 35 7/16"
USU90-2100EF	82 11/16"	35 13/16" - 39 3/8"
USU90-2300EF	90 9/16"	39 3/4" - 44 1/16"
USU90-2540EF	100"	44 1/2" - 49 3/16"

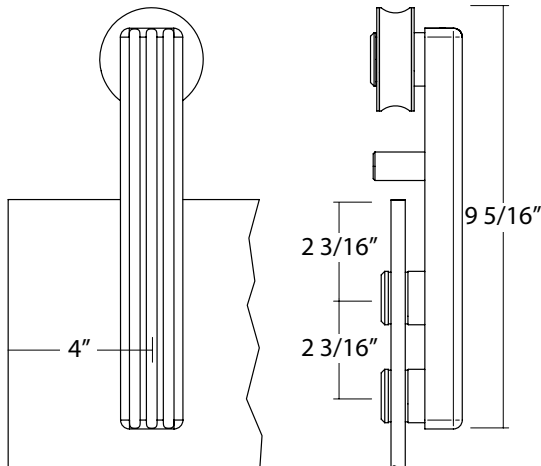
▼ Glass drill holes \varnothing 33/64" (\varnothing 13 mm)

The maximum door weight is 100 kg (220 lbs)

For baseboards and trimmings, order spacer, (stainless steel, USO226-19EF) separately for each wall attachment, Cf. planning guide or page 21/22

You can find planning guides with drill hole sizes and installation instructions at www.beyerle-us.com

+ For special lengths for guide rails, other individual components and accessories, refer to page 24ff.



Sets for glass doors



: Antra I | Glass

Complete-sets, standard model $t = 5/16'' - 1/2''$
height-adjustable approx. $\pm 1/8''$, consisting of:

- 1 Guide rail, stainless steel-dark bronze, $\varnothing 1''$, USO200DB
length: see table
- 3 - 4 Wall attachments, stainless steel-dark bronze, USU212DB
- 2 Trolleys Antra I glass, stainless steel-dark bronze, USO126DB
- 2 Door stopper, stainless steel-dark bronze, USO254DB
- 1 Bottom guide, stainless steel-dark bronze, USO260DB
- 1 Allen key (SW5), Z926
- 1 Installation instructions

Set numbers	Guide rail length inch	Passage width inch
USU46-1800DB	70 7/8"	29 1/2" - 35 7/16"
USU46-2100DB	82 11/16"	35 13/16" - 39 3/8"
USU46-2300DB	90 9/16"	39 3/4" - 44 1/16"
USU46-2540DB	100"	44 1/2" - 49 3/16"

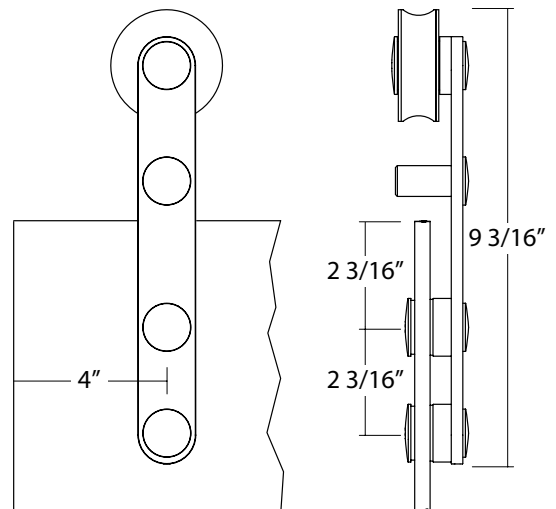
▼ Glass drill holes $\varnothing 33/64'' (\varnothing 13 \text{ mm})$

The maximum door weight is 100 kg (220 lbs)

For baseboards and trimmings, order spacer, (stainless steel-dark bronze, USO226-19DB) separately for each wall attachment, Cf. planning guide or 21/22

You can find planning guides with drill hole sizes and installation instructions at www.beyerle-us.com

+ For further components and accessories, refer to page 24ff.



Sets for wooden doors

▨ : Flatec I | Wood ▨

Complete-sets, standard model t up to 1 3/4" height-adjustable approx. +/- 1/8", consisting of:

- 1 Guide rail, solid stainless steel, \varnothing 1", USO200EF
length: see table
- 3 - 4 Wall attachments, stainless steel, USU215EF
- 2 Trolleys Flatec I wood, stainless steel, USO121EF
- 2 Door stopper, stainless steel, USO251EF
- 1 Bottom guide, plastic, USH268K
- 1 Special tool for decorative screws, Z923
- 1 Installation instructions

Set numbers	Guide rail length inch	Passage width inch
USU45-1800EF	70 7/8"	29 1/2" - 35 7/16"
USU45-2100EF	82 11/16"	35 13/16" - 39 3/8"
USU45-2300EF	90 9/16"	39 3/4" - 44 1/16"
USU45-2540EF	100"	44 1/2" - 49 3/16"

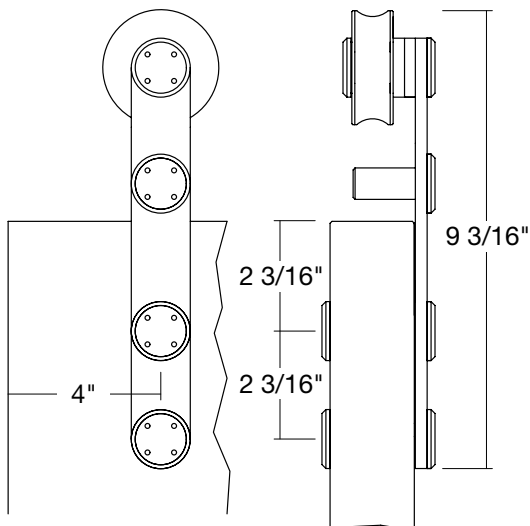
▼ Wood drill holes \varnothing 13/32"

The maximum door weight is 100 kg (220 lbs)

For baseboards and trimmings, order spacer, (stainless steel, USO226-33EF) separately for each wall attachment, Cf. planning guide or page 21/22

You can find planning guides with drill hole sizes and installation instructions at www.beyerle-us.com

- + For special lengths for guide rails, other individual components and accessories, refer to page 24ff.



Sets for wooden doors



Flatec II | Wood

Complete-sets, standard model $t = 1\ 7/16'' - 1\ 3/4''$ consisting of:

- 1 Guide rail, solid stainless steel, $\varnothing 1''$, USO200EF
length: see table
- 3 - 4 Wall attachments, stainless steel, USO215EF
- 2 Trolleys Flatec II wood, stainless steel, USO130EF
- 2 Door stopper, stainless steel, USO251EF
- 1 Bottom guide, plastic, USH268K
- 1 Special tool for decorative screws, Z923
- 1 Installation instructions

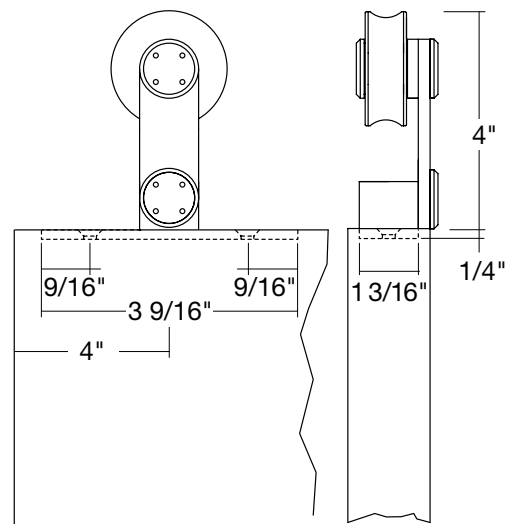
Set numbers	Guide rail length inch	Passage width inch
USU55-1800EF	70 7/8"	29 1/2" - 35 7/16"
USU55-2100EF	82 11/16"	35 13/16" - 39 3/8"
USU55-2300EF	90 9/16"	39 3/4" - 44 1/16"
USU55-2540EF	100"	44 1/2" - 49 3/16"

▼ The maximum door weight is 100 kg (220 lbs)

For baseboards and trimmings, order spacer, (stainless steel, USO226-33EF) separately for each wall attachment, Cf. planning guide or page 21/22

You can find planning guides with drill hole sizes and installation instructions at www.beyerle-us.com

+ For special lengths for guide rails, other individual components and accessories, refer to page 24ff.



/// : Unotec Home | Wood

Complete-sets, standard model t up to 1 3/4"
 Consisting of:

- 1 Guide rail, solid stainless steel, \varnothing 1", USO200EF
 length: see table
- 3 - 4 Wall attachments, stainless steel, USU215EF
- 2 Trolleys Unotec Home wood, stainless steel, USH105EF
- 2 Door stopper, stainless steel, USO250EF
- 1 Bottom guide, plastic, USH268K
- 1 Special tool for decorative screws, Z923
- 1 Installation instructions

Set numbers	Guide rail length inch	Passage width inch
USU35-1800EF	70 7/8"	29 1/2" - 35 7/16"
USU35-2100EF	82 11/16"	35 13/16" - 39 3/8"
USU35-2300EF	90 9/16"	39 3/4" - 44 1/16"
USU35-2540EF	100"	44 1/2" - 49 3/16"

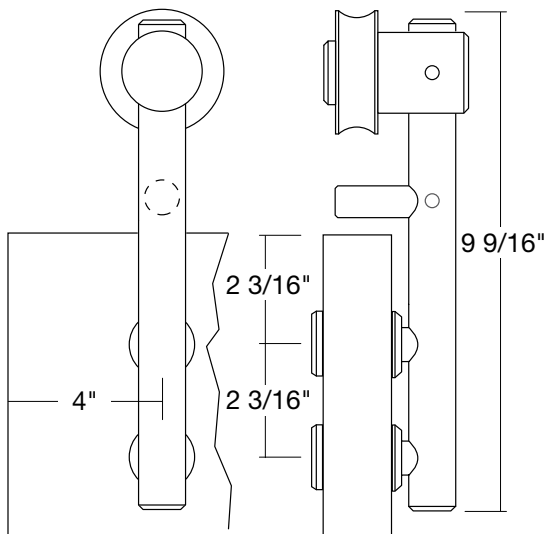
▼ Wood drill holes \varnothing 13/32"

The maximum door weight is 100 kg (220 lbs)

For baseboards and trimmings, order spacer, (stainless steel, USO226-33EF) separately for each wall attachment, Cf. planning guide or page 21/22

You can find planning guides with drill hole sizes and installation instructions at www.beyerle-us.com

+ For special lengths for guide rails, other individual components and accessories, refer to page 24ff.



Sets for wooden doors



▨ : Tritec | Wood ▨

Complete-sets, standard model t up to 1 3/4" height-adjustable approx. +/- 1/8", consisting of:

- 1 Guide rail, solid stainless steel, Ø 1", USO200EF length: see table
- 3 - 4 Wall attachments, stainless steel, USU215EF
- 2 Trolleys Tritec wood, stainless steel, USO123EF
- 2 Door stopper, stainless steel, USO251EF
- 1 Bottom guide, stainless steel, USH268K
- 1 Special tool for decorative screws, Z923
- 1 Installation instructions

Set numbers	Guide rail length inch	Passage width inch
USU65-1800EF	70 7/8"	29 1/2" - 35 7/16"
USU65-2100EF	82 11/16"	35 13/16" - 39 3/8"
USU65-2300EF	90 9/16"	39 3/4" - 44 1/16"
USU65-2540EF	100"	44 1/2" - 49 3/16"

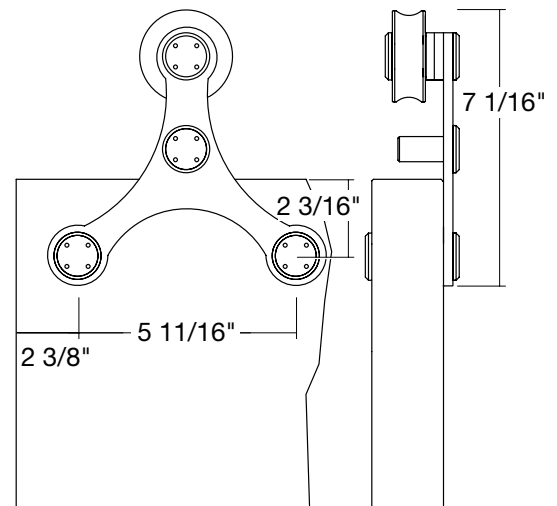
▼ Wood drill holes Ø 13/32"

The maximum door weight is 100 kg (220 lbs)

For baseboards and trimmings, order spacer, (stainless steel, USO226-33EF) separately for each wall attachment, Cf. planning guide or page 21/22

You can find planning guides with drill hole sizes and installation instructions at www.beyerle-us.com

+ For special lengths for guide rails, other individual components and accessories, refer to page 24ff.



/// : Shield | Wood ///

Complete-sets, standard model t up to 1 3/4" height-adjustable approx. +/- 1/8", consisting of:

- 1 Guide rail, solid stainless steel, ø 1", USO200EF length: see table
- 3 - 4 Wall attachments, stainless steel, USU214EF
- 2 Trolleys Shield wood, stainless steel, USO141EF
- 2 Door stopper, stainless steel optic, USO252EO
- 1 Bottom guide, plastic, USH268K
- 1 Allen key (SW5), Z926
- 1 Installation instructions

Set numbers	Guide rail length inch	Passage width inch
USU91-1800EF	70 7/8"	29 1/2" - 35 7/16"
USU91-2100EF	82 11/16"	35 13/16" - 39 3/8"
USU91-2300EF	90 9/16"	39 3/4" - 44 1/16"
USU91-2540EF	100"	44 1/2" - 49 3/16"

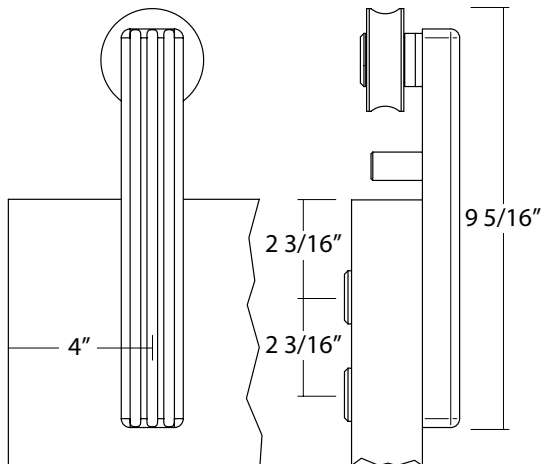
▼ Wood drill holes ø 13/32"

The maximum door weight is 100 kg (220 lbs)

For baseboards and trimmings, order spacer, (stainless steel, USO226-33EF) separately for each wall attachment, Cf. planning guide or page 21/22

You can find planning guides with drill hole sizes and installation instructions at www.beyerle-us.com

+ For special lengths for guide rails, other individual componets and accessories, refer to page 24ff.





Skater | Wood

Complete-sets, standard model t up to 1 3/4" consisting of:

- 1 Guide rail, solid stainless steel, \varnothing 1", USO200EF
length: see table
- 3 - 4 Wall attachments, stainless steel, USU214EF
- 1 Pair of trolleys Skater wood, stainless steel, USO150EF-B
- 2 Door stopper, stainless steel, USO253EF
- 1 Bottom guide, plastic, USH268K
- 1 Allen key (SW5), Z926
- 1 Installation instructions

Set numbers	Guide rail length inch	Passage width inch
USU92-1800EF	70 7/8"	29 1/2" - 35 7/16"
USU92-2100EF	82 11/16"	35 13/16" - 39 3/8"
USU92-2300EF	90 9/16"	39 3/4" - 44 1/16"
USU92-2540EF	100"	44 1/2" - 49 3/16"

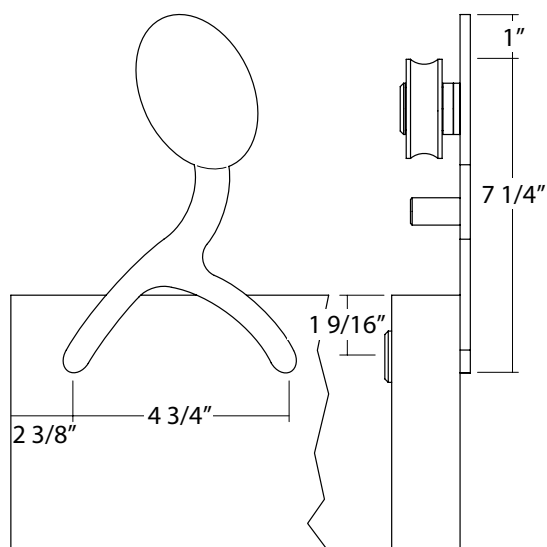
▼ Wood drill holes \varnothing 13/32"

The maximum door weight is 100 kg (220 lbs)

For baseboards and trimmings, order spacer, (stainless steel, USO226-33EF) separately for each wall attachment, Cf. planning guide or page 21/22

You can find planning guides with drill hole sizes and installation instructions at www.beyerle-us.com

+ For special lengths for guide rails, other individual components and accessories, refer to page 24ff.



Antra I | Wood

Complete-sets, standard model t up to 1 3/4" height-adjustable approx. +/- 1/8", consisting of:

- 1 Guide rail, stainless steel-dark bronze, Ø 1", USO200DB length: see table
- 3 - 4 Wall attachments, stainless steel-dark bronze, USU214DB
- 2 Trolleys Antra I wood, stainless steel-dark bronze, USO129DB
- 2 Door stopper, stainless steel-dark bronze, USO254DB
- 1 Bottom guide, plastic, USH268K
- 1 Allen key (SW5), Z926
- 1 Installation instructions

Set numbers	Guide rail length inch	Passage width inch
USU47-1800DB	70 7/8"	29 1/2" - 35 7/16"
USU47-2100DB	82 11/16"	35 13/16" - 39 3/8"
USU47-2300DB	90 9/16"	39 3/4" - 44 1/16"
USU47-2540DB	100"	44 1/2" - 49 3/16"

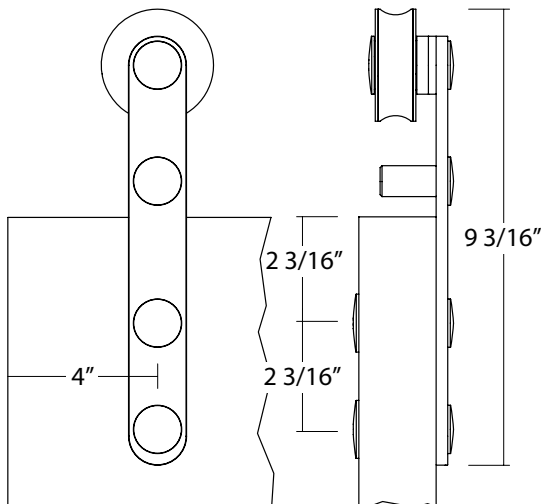
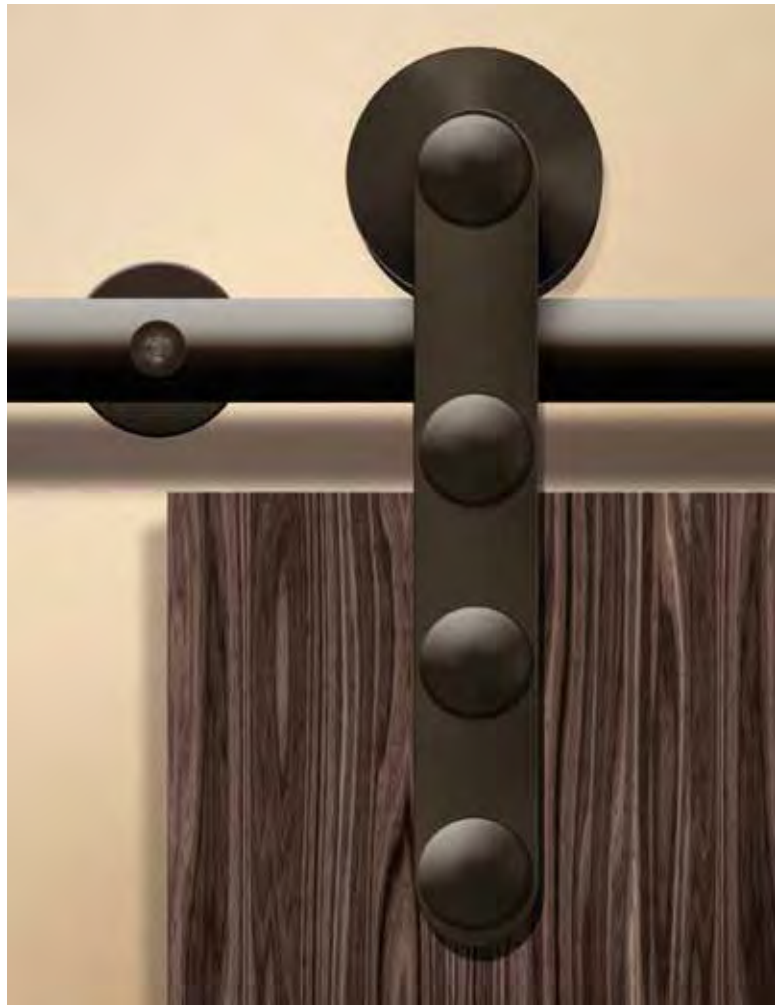
▼ Wood drill holes Ø 13/32"

The maximum door weight is 100 kg (220 lbs)

For baseboards and trimmings, order spacer, (stainless steel-dark bronze, USO226-33DB) separately for each wall attachment, Cf. planning guide or page 21/22

You can find planning guides with drill hole sizes and installation instructions at www.beyerle-us.com

+ For further components and accessories, refer to page 24ff.



Sets for wooden doors



▨ : Antra II | Wood ▨

Complete-sets, standard model $t = 1 \frac{7}{16}'' - 1 \frac{3}{4}''$
consisting of:

- 1 Guide rail, stainless steel-dark bronze, $\varnothing 1''$, USO200DB
length: see table
- 3 - 4 Wall attachments, stainless steel-dark bronze, USU214DB
- 2 Trolleys Antra II wood, stainless steel-dark bronze, USO131DB
- 2 Door stopper, stainless steel-dark bronze, USO254DB
- 1 Bottom guide, plastic, USH268K
- 1 Allen key (SW5), Z926
- 1 Installation instructions

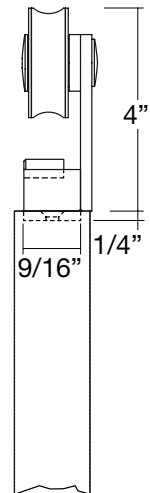
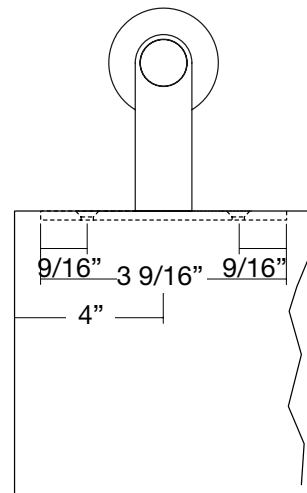
Set numbers	Guide rail length inch	Passage width inch
USU56-1800DB	70 $\frac{7}{8}''$	29 $\frac{1}{2}'' - 35 \frac{7}{16}''$
USU56-2100DB	82 $\frac{11}{16}''$	35 $\frac{13}{16}'' - 39 \frac{3}{8}''$
USU56-2300DB	90 $\frac{9}{16}''$	39 $\frac{3}{4}'' - 44 \frac{1}{16}''$
USU56-2540DB	100''	44 $\frac{1}{2}'' - 49 \frac{3}{16}''$

▼ The maximum door weight is 100 kg (220 lbs)

For baseboards and trimmings, order spacer,
separately for each wall attachment,
Cf. planning guide or page 21/22

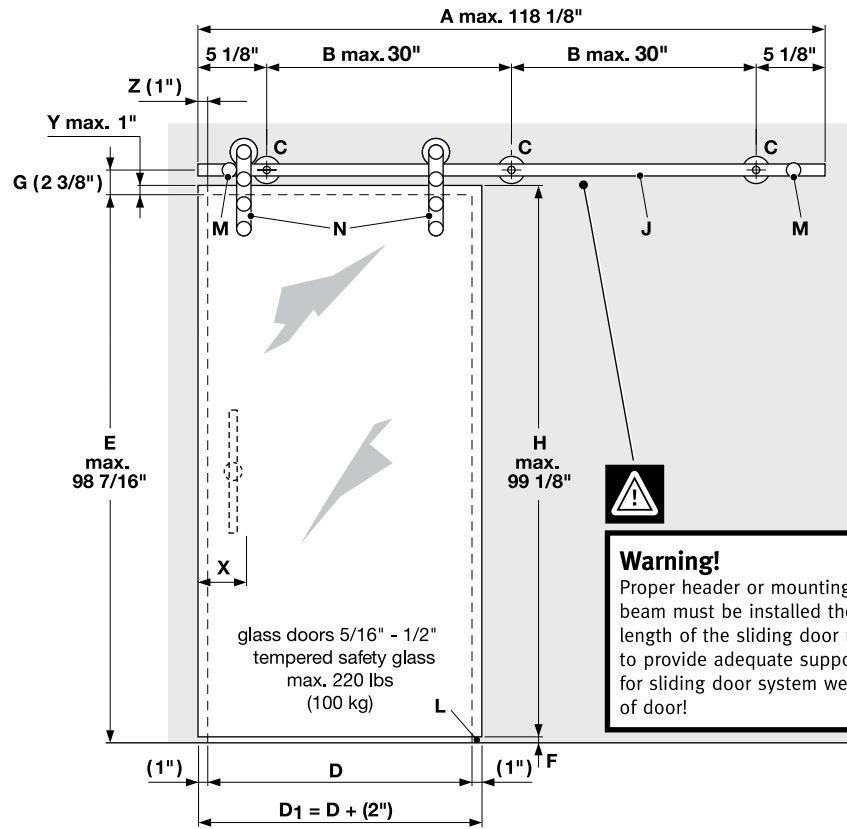
You can find planning guides with drill hole sizes and
installation instructions at www.beyerle-us.com

+ For further components and accessories, refer to page 24ff.



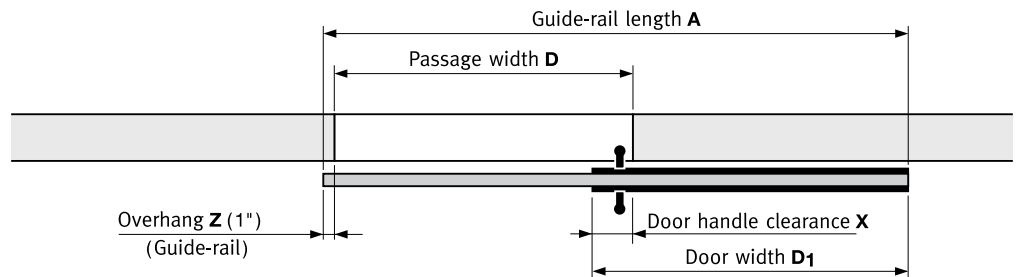
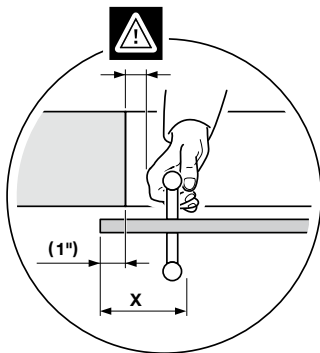
▼ We have complete sets as well as single system components available for you to make your individual designs and plans using our sliding door systems. Please go to www.beyerle-us.com to find the planning and assembly instructions for all systems. On the following pages, please have a look at some extracts presented as examples.

inches		Each	Manufacturing dimensions (special model)						kg	Each		
A	B	C	D	D1	E max. 98 7/16"	F 1/4" - 3/8"	G	H max. 99 1/8" (H = E - F + Y)	Load-bearing capacity of the guide rail J	L	M	N
							(2 3/8")			1	2	2



- A = Guide-rail length
 - B = Drill hole clearance
 - C = Wall fixture
 - D = Passage width
 - D1 = Door width
 - E = Passage height
 - F = Door – floor clearance
 - G = Fastening clearance
 - H = Door height
 - J = Load-bearing capacity of the guide rail
 - L = Bottom guide
 - M = Door stopper
 - N = Trolley
 - X = Door knob clearance
 - Y = Door height overhang
 - Z = Guide-rail overhang
- () = recommended!

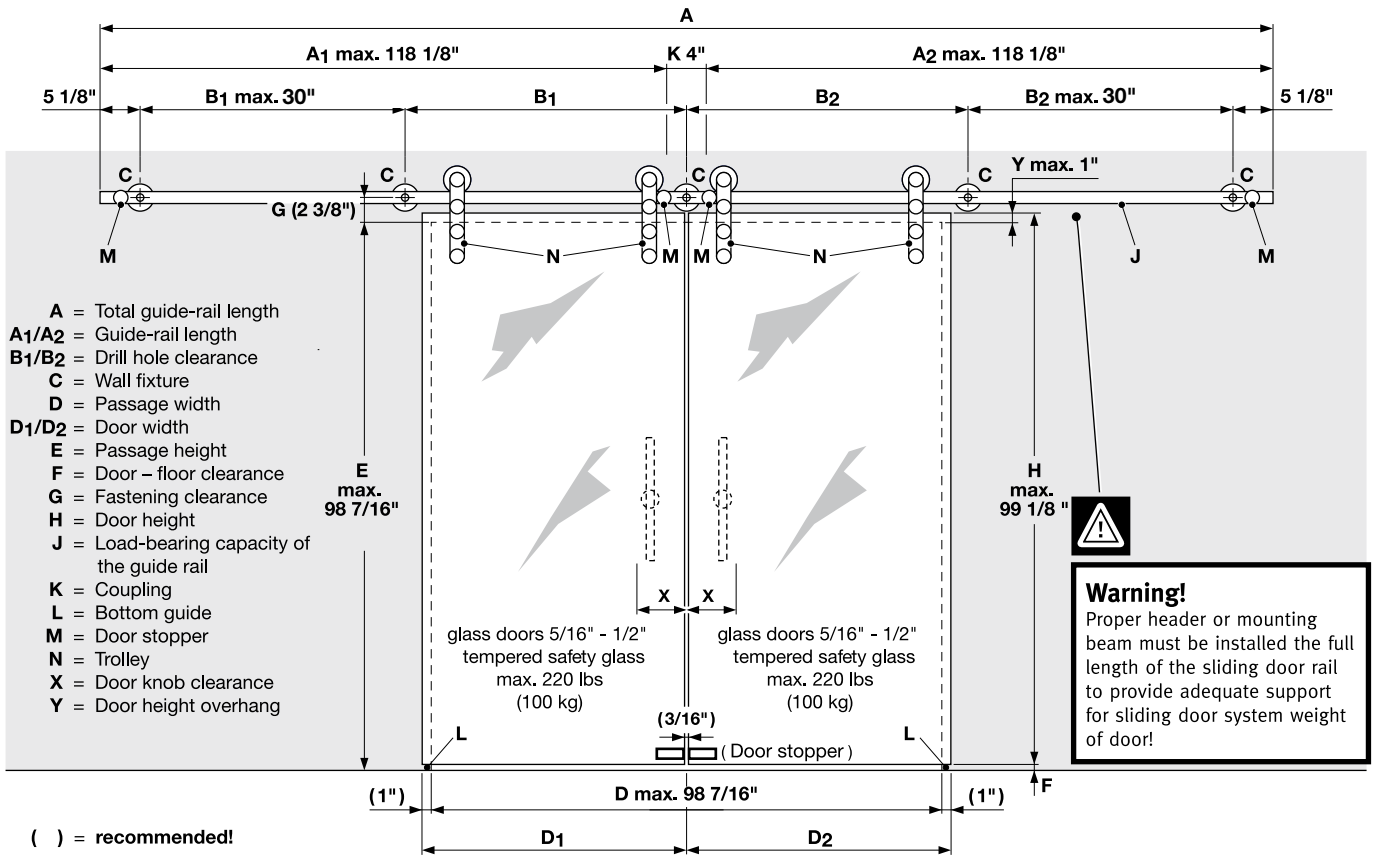
Calculation for guide-rail length A



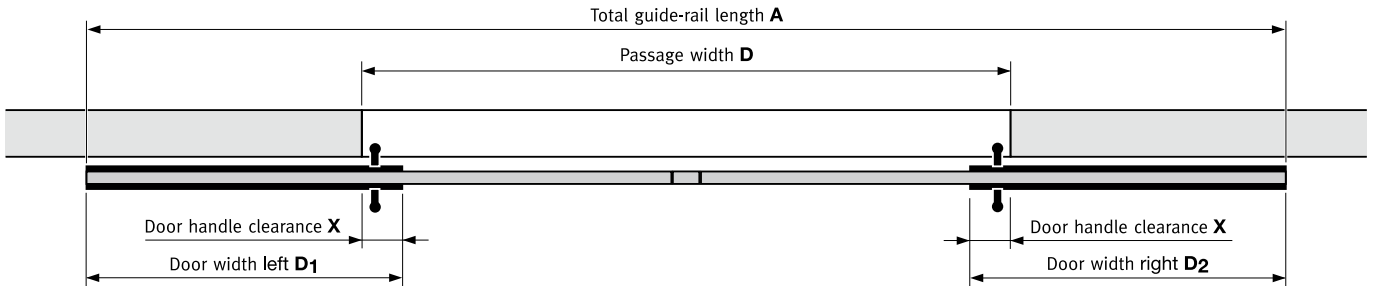
$$\text{Overhang Z} + \text{Passage width D} + \text{Door width D1} - \text{Door handle clearance X} = \text{Guide-rail length A}$$

Make door handle clearance so that fingers do not get pinched when door is used

Manufacturing dimensions (special model)															
inches		Each		inches							kg	Each			
A	B1	B2	C	D	D1	D2	E max. 98 7/16"	F 1/4" - 3/8"	G	H max. 99 1/8" (H = E - F + Y)	Load-bearing capacity of the guide rail J	K	L	M	N
									(2 3/8")			1	2	4	4



Calculation for total guide-rail length A

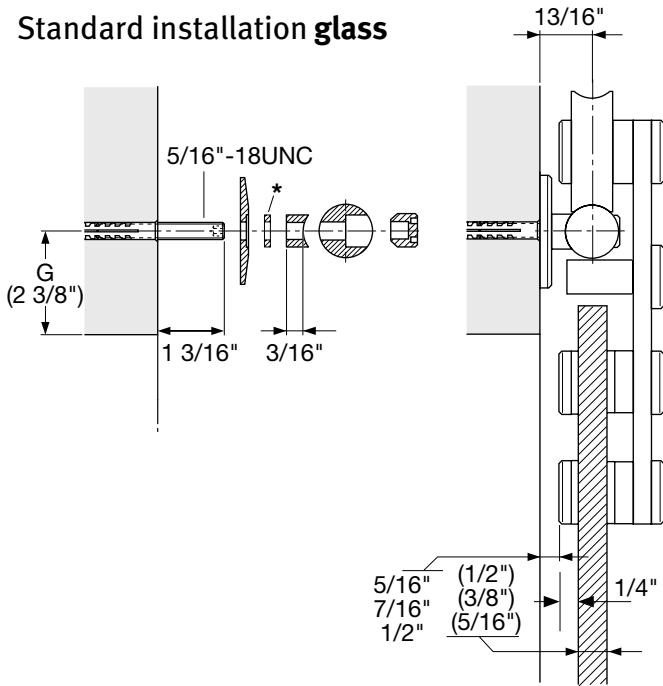


Door width D_1 - Door handle clearance X + Passage width D + Door width D_2 - Door handle clearance X = Total guide-rail length A

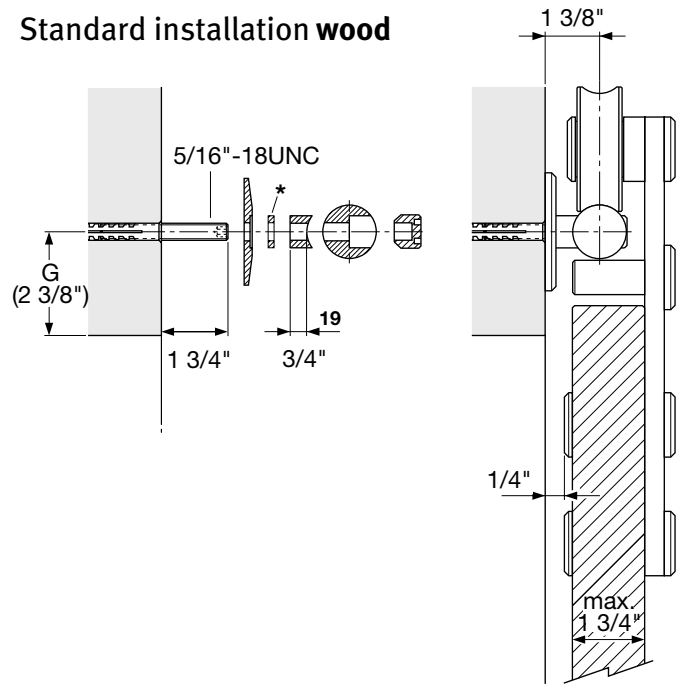


Make door handle clearance so that fingers do not get pinched when door is used.

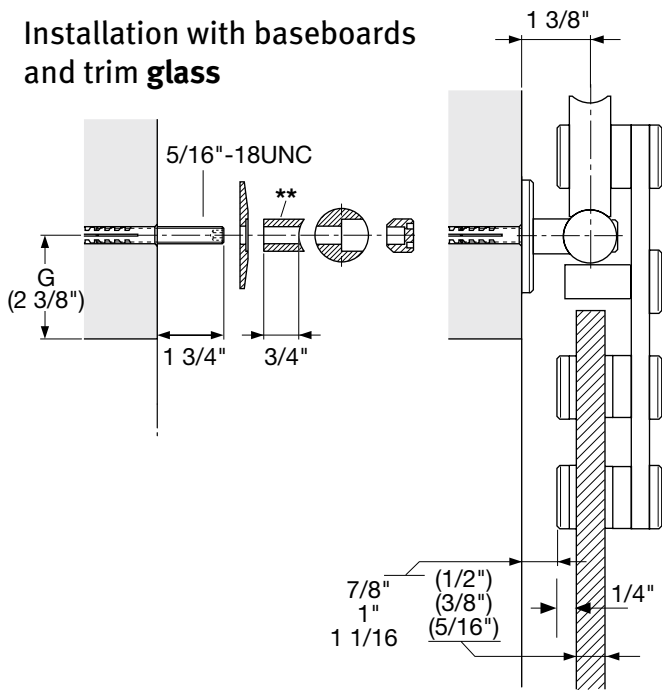
Standard installation glass



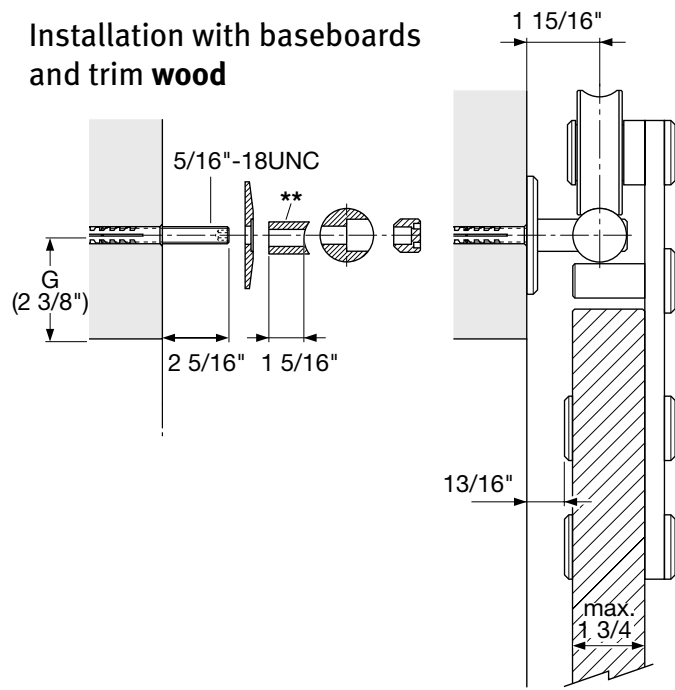
Standard installation wood



Installation with baseboards and trim glass



Installation with baseboards and trim wood



*** Compensation disk 1/16", 3/16" and 3/8"**
 To compensate for wall unevenness, order separately.
 (Only 1 piece per wall fixture!)

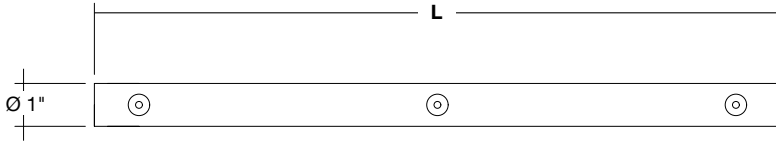
**** Spacers**
 order separately!

	Art.-No.	inches
	USO216-2EF	1/16"
	USO216-5EF	3/16"
	USO216-10EF	3/8"

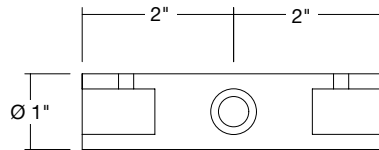
	Art.-No.	inches
	USO226-19EF	3/4"
	USO226-33EF	1 5/16"

System components

Guide rail

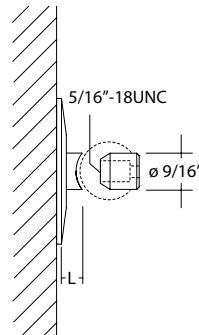
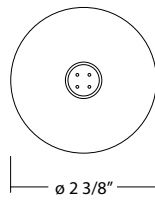


Art. No. **Guide rail Ø 1"**
 USO200EF no attachment material,
 please state length!
 up to 118 1/8" as one piece,
 satin stainless steel (AISI 303)



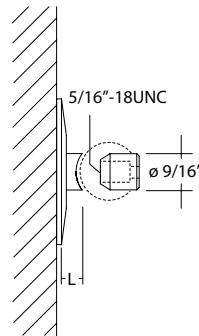
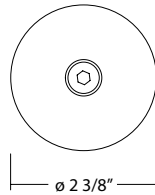
Art. No. **Coupling Ø 1"**
 USO205EF for guide rail USO200EF,
 for segmented guide rail (longer
 than 118 1/8" with coupling/s)
 coupling L = 3 5/16"
 satin stainless steel (AISI 303)

Wall fixtures



Art. No. **Wall fixtures (5/16"- 18 UNC)**
 USU210EF for glass doors on masonry
 without trim and baseboard,
 distance L = 3/16",
 disc Ø 2 3/8", without screw

USU215EF for wood doors on masonry,
 without trim and baseboard,
 distance
 L = 3/4", disc Ø 2 3/8",
 without screw
 satin stainless steel (AISI 303)

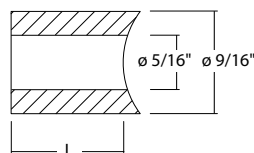


Art. No. **Wall fixtures (5/16"- 18 UNC)**
 USU212DB for glass doors on masonry
 without trim and baseboard
 distance L = 3/16", disc Ø 2 3/8"
 without screw

USU214DB for wood doors on masonry
 without trim and baseboard
 distance L = 3/4", disc Ø 2 3/8"
 without screw
 satin stainless steel (AISI 303) or
 dark bronze coated

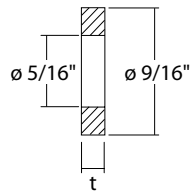


dark bronze



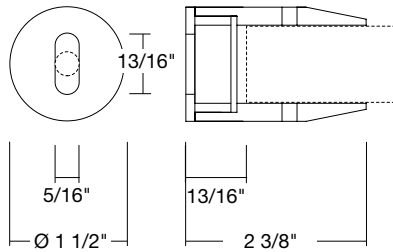
Art. No. **Spacer Ø 9/16"**
 USO226-19EF for glass doors with trim
 USO226-19DB and baseboard,
 distance L = 3/4"
 USO226-33EF for wood doors with trim
 USO226-33DB and baseboard,
 distance L = 1 5/16"
 satin stainless steel (AISI 303) or
 dark bronze coated

Art. No. Compensation discs \varnothing 9/16"
 US0216-2EF thickness $t = 1/16"$
 US0216-2DB thickness $t = 1/16"$
 US0216-5EF thickness $t = 3/16"$
 US0216-5DB thickness $t = 3/16"$
 US0216-10EF thickness $t = 3/8"$
 US0216-10DB thickness $t = 3/8"$
 to compensate for wall unevenness, only one piece per wall mount!
 satin stainless steel (AISI 303) or dark bronze coated

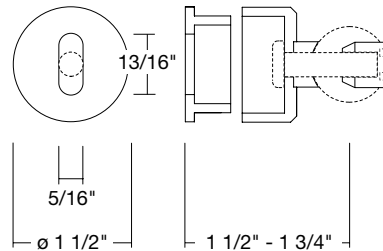


dark bronze

Art. No. Wall joint, front face
 US0240EF for guide rail US0200EF, attachment point can be adjustable using elongated hole,
 satin stainless steel (AISI 303)

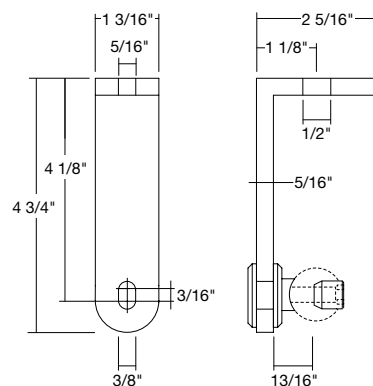


Art. No. Wall fixture, adjustable
 US0242EF for guide rail US0200EF, wall clearance can be adjusted approx. 1/4", attachment point using elongated hole,
 satin stainless steel (AISI 303)

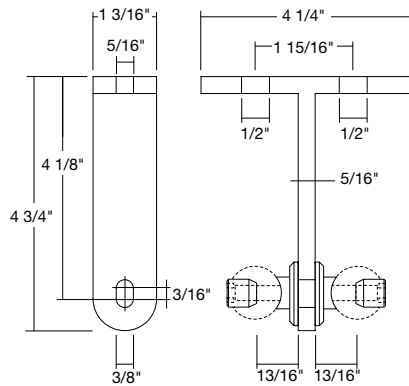


/// : Ceiling fixtures

Art. No. Ceiling fixture (1 x)
 US0248EF for single guide rail US0200EF, attachment point can be adjustable using elongated hole,
 satin stainless steel (AISI 303/304)

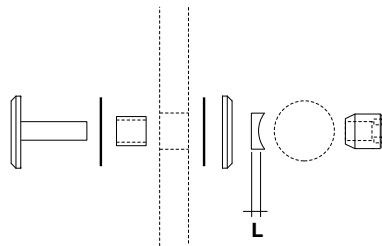


System components



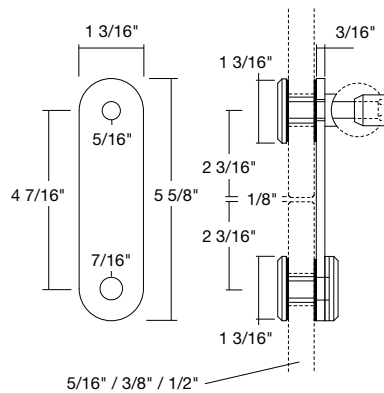
: Ceiling fixtures

- Art. No.** **Ceiling fixture (2 x)**
 USO249EF for double guide rail USO200EF, for glass doors only, attachment point can be adjustable using elongated hole, satin stainless steel (AISI 303/304)
- USO249-H Additional kit for wood doors
- ▼ For wood doors please order additional kit USO249-H

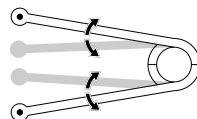


: Mounting on glass

- Art. No.** **Glass fastening set**
 USO230G for glass doors 5/16" - 1/2", distance L = 3/16" decorative screw \varnothing 1 3/16" for mounting the guide rail USO200EF onto glass surfaces glass protection set satin stainless steel (AISI 303)
- ▼ Glass drill holes \varnothing 9/16"



- Art. No.** **Glass joint plate for continuous skylight of glasses**
 USO245-8EF for glass surfaces $t = 5/16''$
 USO245-10EF for glass surfaces $t = 3/8''$
 USO245-12EF for glass surfaces $t = 1/2''$ decorative screw \varnothing 1 3/16", set for mounting the guide rail USO200EF onto glass surfaces glass protection set satin stainless steel (AISI 303/304)
- ▼ Glass drill holes \varnothing 9/16"



: Mounting tools

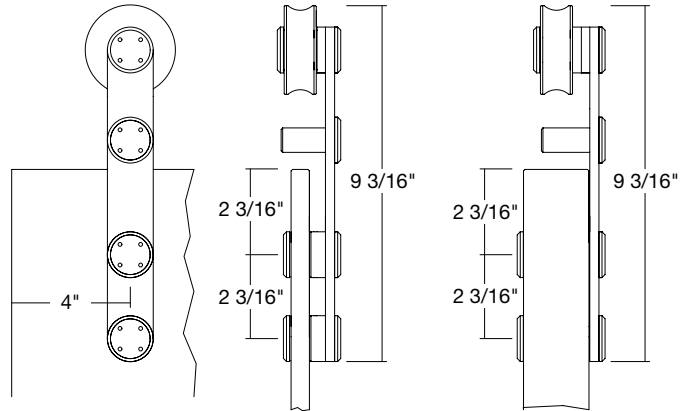
- Art. No.** **Calliper face spanner S**
 Z923 for mouting decorative caps and screws with 4 drill holes (adjustable)



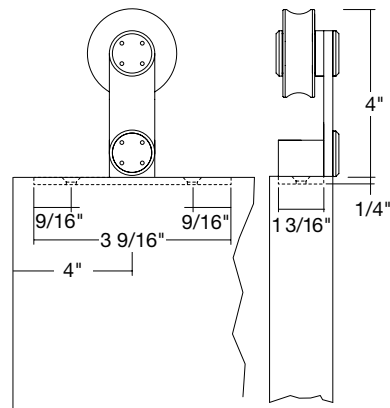
- Art. No.** **Allen key SW5**
 Z926 for mounting decorative caps and screws with internal hexagon

: Trolleys

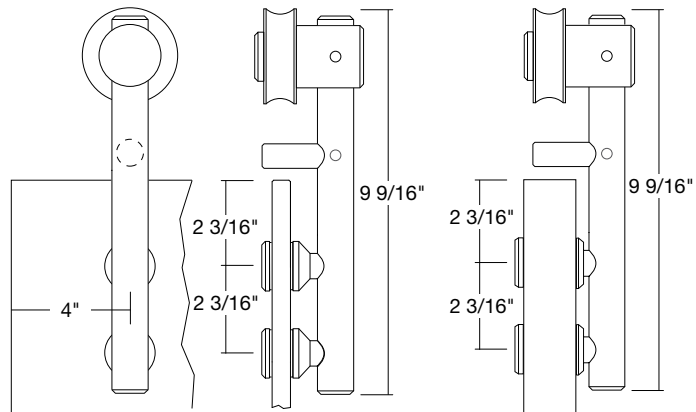
Art. No. **Trolley, Flatec I**
 USO120EF for glass doors, $t = 5/16'' - 1/2''$
 USO121EF for wood doors, t up to $1\ 3/4''$
 height-adjustable approx. $\pm 1/8''$,
 satin stainless steel (AISI 303/304)



Art. No. **Trolley, Flatec II**
 USO130EF for wood doors, t up to $1\ 3/4''$
 without height adjustment,
 satin stainless steel (AISI 303/304)

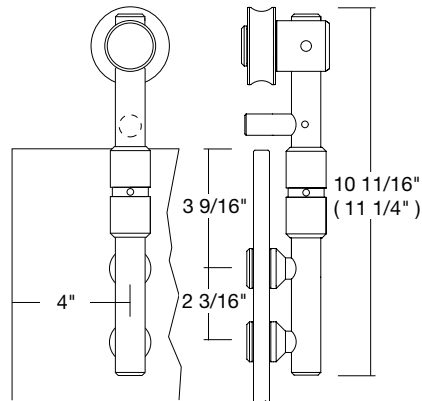


Art. No. **Trolley, Unotec Home**
 USH100EF for glass doors, $t = 5/16'' - 1/2''$
 USH105EF for wood doors, t up to $1\ 3/4''$
 without height adjustment,
 satin stainless steel (AISI 303/304)



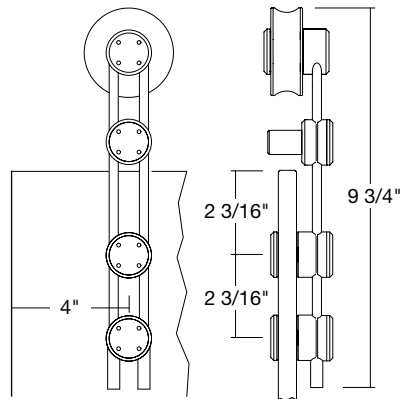
- ▼ Maximum door weight 100 kg (220 lbs) using by pairs
- ▼ Glass drill holes $\varnothing 1/2''$
- ▼ Wood drill holes $\varnothing 13/32''$

: Trolleys



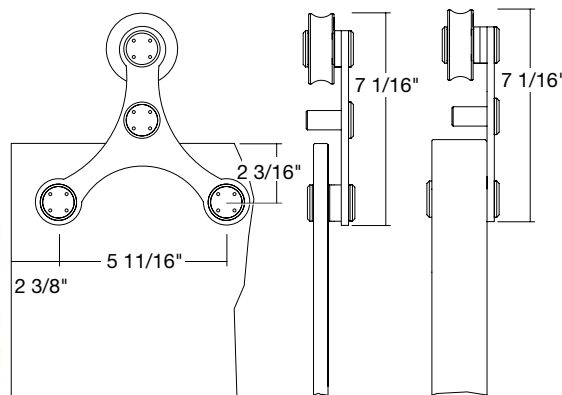
Art. No. USO100EF
Trolley, Unotec Objekt
 for glass doors, $t = 5/16'' - 1/2''$
 height-adjustable approx. $\pm 5/16''$,
 satin stainless steel (AISI 303)

▼ Maximum door weight 100 kg
 (220 lbs) using by pairs



Art. No. USO110EF
Trolley, Duetec
 for glass doors, $t = 5/16'' - 3/8''$
 height-adjustable
 approx. $\pm 1/8''$,
 satin stainless steel (AISI 303)

▼ Maximum door weight 60 kg
 (132 lbs) using by pairs



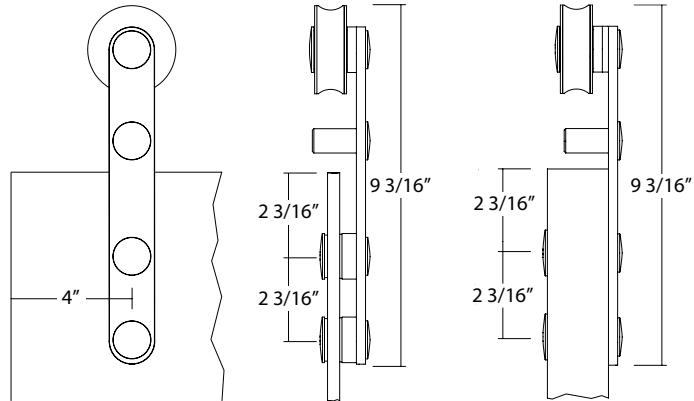
Art. No. USO122EF
 USO123EF
Trolley, Tritec
 for glass doors, $t = 5/16'' - 1/2''$
 for wood doors, t up to $1 3/4''$
 height-adjustable approx. $\pm 1/8''$,
 satin stainless steel (AISI 303/304)

▼ Maximum door weight 100 kg
 (220 lbs) using by pairs
 ▼ Glass drill holes $\varnothing 1/2''$
 ▼ Wood drill holes $\varnothing 13/32''$

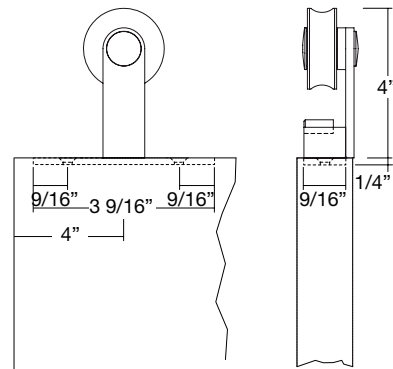
: Trolleys

Art. No. **Trolley, Antra I**
 USO126DB for glass doors, $t = 5/16'' - 1/2''$
 USO129DB for wood doors, t up to $1\ 3/4''$,
 height-adjustable approx. $\pm 1/8''$
 stainless steel-dark bronze coated

- ▼ Glass drill holes $\varnothing\ 33/64''$
- ▼ Wood drill holes $\varnothing\ 13/32''$

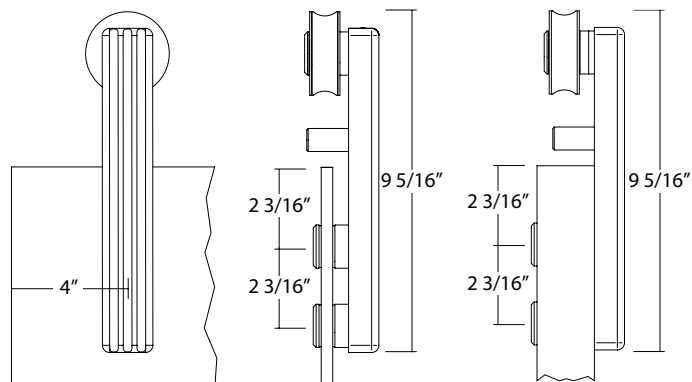


Art. No. **Trolley, Antra II**
 USO131DB for wood doors, t up to $1\ 3/4''$
 without height adjustment,
 stainless steel-dark bronze coated



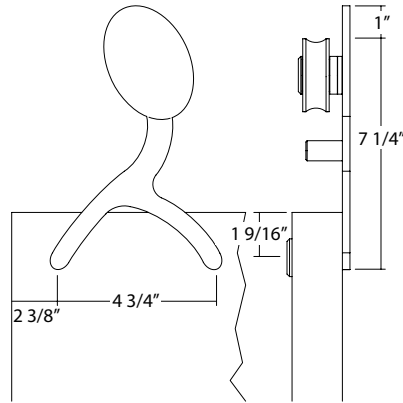
Art. No. **Trolley, Shield**
 USO140EF for glass doors, $t = 5/16'' - 1/2''$
 USO141EF for wood doors, t up to $1\ 3/4''$
 height-adjustable approx. $\pm 1/8''$
 cover: stainless steel optic
 satin stainless steel (AISI 303/304)

- ▼ Glass drill holes $\varnothing\ 33/64''$
- ▼ Wood drill holes $\varnothing\ 13/32''$



▼ Maximum door weight 100 kg
 (220 lbs) using by pairs

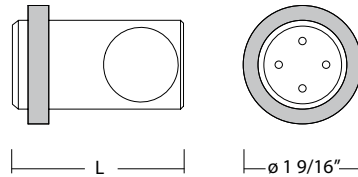
: Trolleys



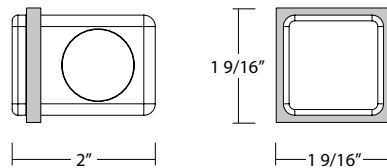
Art. No. **Trolley, Skater, (1 pair)**
 USO150EF-B for wood doors, t up to 1 3/4"
 without height adjustment
 satin stainless steel (AISI 303/304)

- ▼ Wood drill holes \varnothing 13/32"
- ▼ Maximum door weight 100 kg (220 lbs) using by pairs

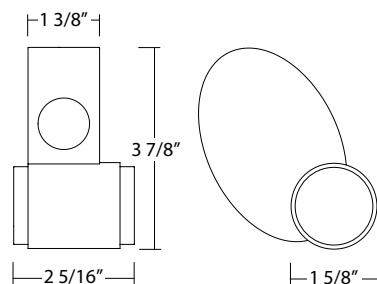
: Door stoppers



Art. No. **Door stopper**
 USO250EF for Unotec Home/Object,
 L = 2 1/4"
 USO251EF for Flatec, Duetec, Tritec,
 L = 1 3/4", \varnothing 1 3/16",
 rubber, satin stainless steel
 (AISI 303)



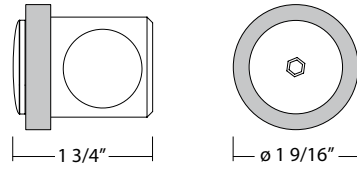
Art. No. **Door stopper**
 USO252EO for Shield 1 9/16" x 1 9/16" L = 2"
 rubber, stainless steel optic



Art. No. **Door stopper**
 USO253EF for Skater 3 7/8" x 2 5/16"
 rubber, satin stainless steel
 (AISI 303/304)

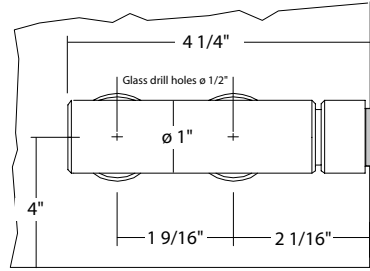
: Door stoppers

Art. No. **Door stopper**
 USO254DB For Antra L = 1 3/4"
 rubber, stainless steel-dark
 bronze coated



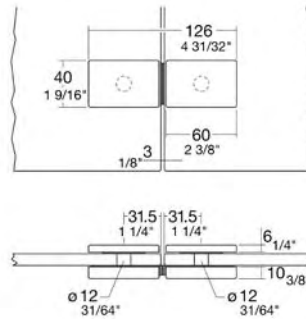
Art. No. **Door stopper set**
 USO255EF one pair for a double glass door
 ø 1", stoppers adjustable
 satin stainless steel (AISI 303)

▼ Glass drill holes ø 1/2"



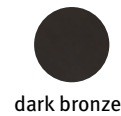
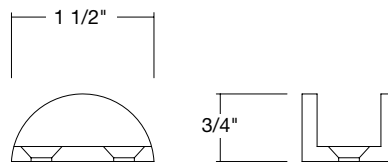
Art. No. **Door stopper set**
 USO257EF one pair for a double glass door
 L = 4 31/32",
 satin stainless steel (AISI 303)

▼ Glass drill holes
 ø 31/64" + 1/64" mm
 ▼ Please order Allen key (SW5) -
 separately! - Art.No. Z926

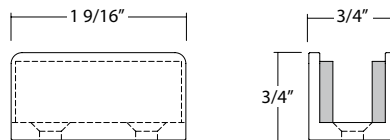


: Bottom guides

Art. No. **Bottom guide**
 USO260EF for door leaf, t = 5/16" - 1/2"
 USO260DB with felt insert, satin stainless
 steel (AISI 304) or stainless steel-
 dark bronze coated

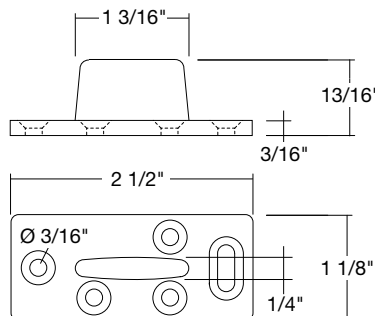


Art. No. **Bottom guide**
 USO261EF for door leaf, t = 5/16" - 1/2"
 with felt insert,
 satin stainless steel (AISI304)

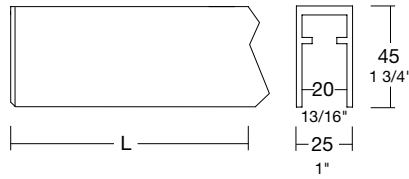


Art. No. **Bottom guide**
 USH268K for wood doors, t up to 1 3/4"
 plastic for groove 5/16" x 11/16"

▼ Groove for bottom guide
 5/16" x 11/16"



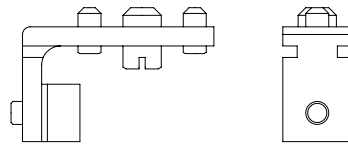
: Guide rails



Art. No.
USO82EO

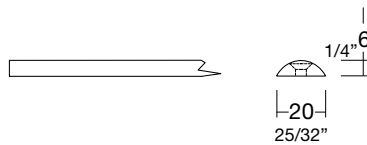
Ceiling (wall) guide rail
with 2 end caps (plastic)
please state custom length!
up to 236 1/4" as one piece,
aluminum stainless steel optic

▼ Please note:
Stoppers have to be ordered
separately (USO82-S).
The ceiling has to be leveled!



Art. No.
USO82-S

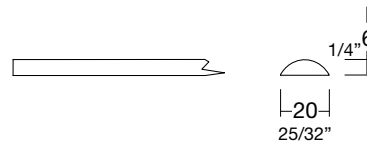
Pair of stoppers for ceiling guide rail
one set for each door,
aluminum, rubber



Art. No.
USO86.1EF
USO86.3EF

Bottom guide rail with drillings
up to 118 1/8" as one piece,
longer than 118 1/8" with coupling,
please state custom length!
satin stainless steel (AISI 316)

▼ Please note:
The floor has to be leveled!

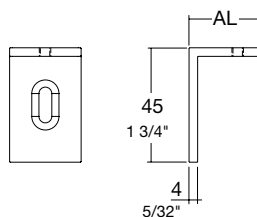
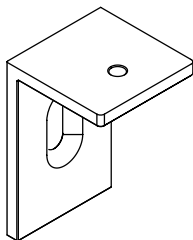


Art. No.
USO86EF
USO86.2EF

Bottom guide (no drillings)
up to 118 1/8" as one piece,
longer than 118 1/8" with coupling,
please state custom length!
satin stainless steel (AISI 316)

▼ Please note:
The floor has to be leveled!

: Wall fixture



Art. No.
USO282-25EO for glass doors, AL = 1"
USO282-45EO for wood doors, AL = 1 3/4"
for mounting the ceiling guide rail
USO82EO
aluminum stainless steel optic

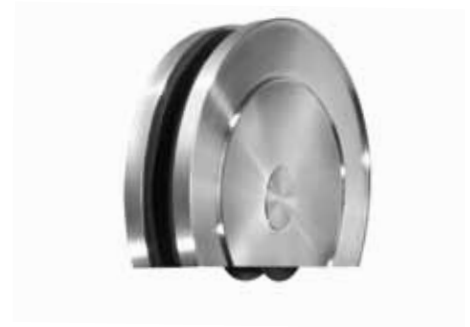
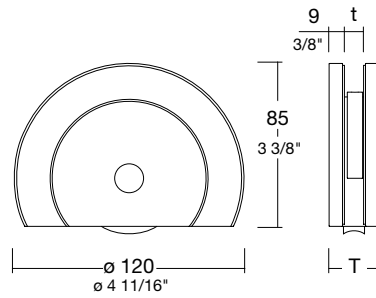
▼ Suitable for all Silent Glam sets

///: Accessories

Art. No. **Slide protection set (replacement)**
 US0287FS-G for glass doors $t = 5/16'' - 1/2''$
 US0287FS-H for wood doors $t = 13/8'', 13/4''$
 self-adhesive strips of felt for mounting onto glass or guiding element for wood doors

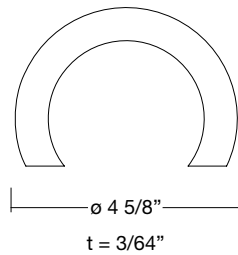
///: Rollers

Art. No. **Pair of base bottom roller**
 USO180EF for glass doors
 glass $t = 5/16'' - 1/2''$
 including 2 decorative center inlays USO280EF
 glass protection set,
 Allen key (SW2,5), Z927
 satin stainless steel (AISI 303)

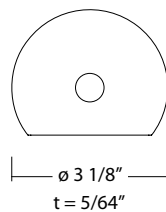


///: Accessories | Inlays

Art. No. **Decorative outer inlay**
 USO281G003 glossy white glass (acrylic)
 USO281G004 glossy black glass (acrylic)
 provided with self-adhesive tape for mounting



Art. No. **Decorative center inlay**
 USO280EF satin stainless steel (AISI 304)
 USO280G003 glossy white glass (acrylic)
 USO280G004 glossy black glass (acrylic)
 provided with self-adhesive tape for mounting



Flatec glass connectors



Flatec glass connectors

Indirect lighting is an essential feature of modern interior design.

Semi-transparent partitions are being used more and more often in planning interiors, whether for private homes or offices, in shops or for the design of waiting rooms.

Partitions made of glass allow light to pass and direct daylight into separate areas. Natural light produces a feeling of wellbeing and perception in relation to modern design, using less artificial light and saving energy.

ABP Beyerle develops products for modern architecture in the spirit of the age.

The new stainless steel Flatec glass connector system is an extension for the Flatec and other sliding door systems which, used together, allow planners almost any constellation of room layout and separation.

The system has been designed as a connecting element for 5/16"-1/2" mm glass and other modern materials.

Other components can be made as project-related special parts.



Flatec angle-connector (inner angle), USO274EF



Flatec connectors, USO272EF and USO274EF



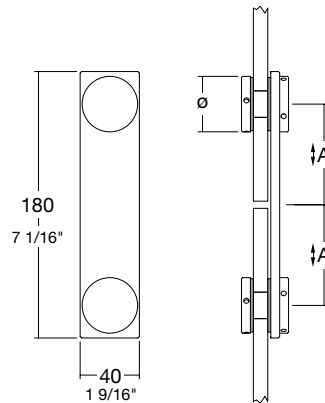
Flatec connector (detail)

Flatec glass connectors

FORM follows FUNCTION

The combination of rectangular profile with filigree all-round chamfer decorative screws with 4 tightening holes result in the classic impression. The system is made of finely ground stainless steel.

Flatec connector | Glass-glass



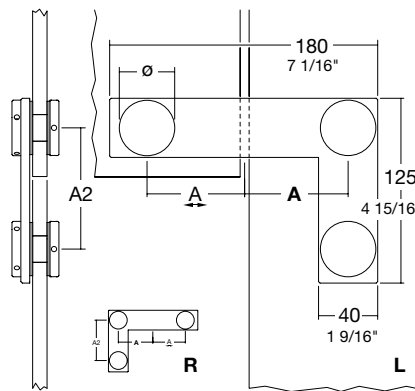
Flatec 180°-connector

Art. No.	∅	GS	A
USO272EF	1 1/2"	5/16"-1/2"	2 11/16"

plain profile 7 1/16" x 1 9/16", chamfered framed edge (onesided), material thickness $t = 1/4$ "
 decorative caps $\varnothing 1 1/2$ " with 4 tighten holes
 glass thickness GS = 5/16"-1/2" (starting from 7/16" glass use thread pin M10x25)
 glass protection set
 satin stainless steel (AISI 303/304)

- ▼ Distance A +/- 5/64" adjustable
- ▼ Glass drilling $\varnothing 23/32" + 1/64$ "
- ▼ Mounting with $\varnothing 5/32$ " cylinder bolt or hook wrench - DIN 1816 (Art. No. Z924)

Flatec connector | Glass-glass (skylight)



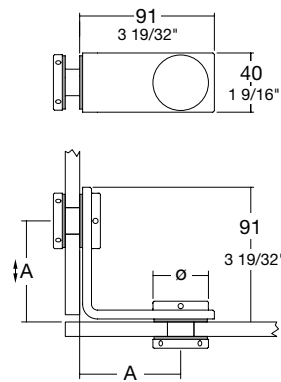
Flatec 3-hole connector for skylight, plain

Art. No.	∅	GS	A	A2
USO275L-EF	1 1/2"	5/16"-1/2"	2 11/16"	3 7/32"
USO275R-EF	1 1/2"	5/16"-1/2"	2 11/16"	3 7/32"

plain profile 7 1/16" / 4 15/16" x 1 9/16", chamfered framed edge (onesided), notice: right hand and left hand item!, material thickness $t = 1/4$ "
 decorative caps $\varnothing 1 1/2$ " with 4 tighten holes
 glass thickness GS = 5/16"-1/2"
 glass protection set
 satin stainless steel (AISI 303/304)

- ▼ Distance A only onesided +/- 1/8" adjustable (for skylight), the other one and A2 are fixed
- ▼ Glass drilling $\varnothing 23/32" + 1/64$ "
- ▼ Mounting with $\varnothing 5/32$ " cylinder bolt or hook wrench - DIN 1816 (Art. No. Z924)

Flatec angle connector | Glass-glass



Flatec 90°-connector (inner angle)

Art. No.	∅	GS	A
USO274EF	1 1/2"	5/16"-1/2"	2 11/16"

plain profile 3 19/32" / 3 19/32" x 1 9/16"
 chamfered framed edge (onesided), material thickness $t = 1/4$ ", decorative caps $\varnothing 1 1/2$ " with 4 tighten holes, glass thickness GS = 5/16"-1/2" (starting from 7/16" glass use thread pin M10x25)
 glass protection set
 satin stainless steel (AISI 303/304)

- ▼ Distance A +/- 1/8" adjustable
- ▼ Glass drilling $\varnothing 23/32" + 1/64$ "
- ▼ Mounting with $\varnothing 5/32$ " cylinder bolt or hook wrench - DIN 1816 (Art. No. Z924)

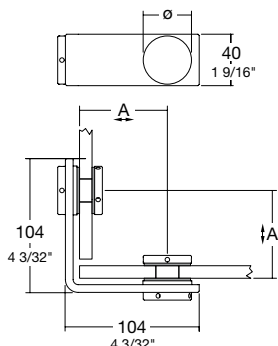
///: Flatec angle connector | Glass-glass ///

Flatec 90°-connector (outer angle)

Art. No.	ø	GS	A
USO274EF-AB	1 1/2"	5/16"-1/2"	2 11/16"

plain profile 4 3/32" / 4 3/32" x 1 9/16"
 chamfered framed edge (onesided), material thickness $t = 1/4"$, decorative caps ø 1 1/2" with 4 tighten holes, glass thickness $GS = 5/16"-1/2"$ (starting from 15/32" glass use thread pin M10x25)
 glass protection set
 satin stainless steel (AISI 303/304)

- ▼ Distance A +/- 1/8" adjustable
- ▼ Glass drilling ø 23/32" + 1/64"
- ▼ Mounting with ø 5/32" cylinder bolt or hook wrench - DIN 1816 (Art. No. Z924)



USO274_AB



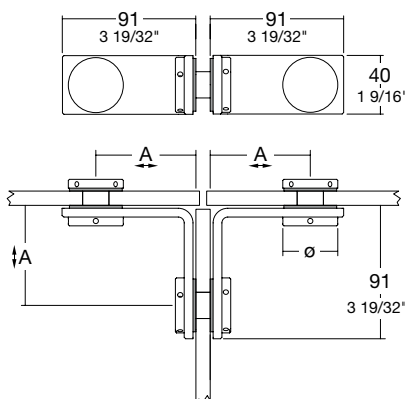
///: Flatec T-connector | Glass-glass ///

Flatec T-connector (90°-angle)

Art. No.	ø	GS	A
USO273EF	1 1/2"	5/16"-1/2"	2 11/16"

2 x plain profiles 3 19/32" / 3 19/32" x 1 9/16"
 chamfered framed edge (onesided), material thickness $t = 1/4"$, decorative caps ø 1 1/2" with 4 tighten holes, glass thickness $GS = 5/16"-1/2"$ (starting from 3/8" glass use thread pin M10x30)
 glass protection set
 satin stainless steel (AISI 303/304)

- ▼ Distance A +/- 1/8" adjustable
- ▼ Glass drilling ø 23/32" + 1/64"
- ▼ Mounting with ø 5/32" cylinder bolt or hook wrench - DIN 1816 (Art. No. Z924)



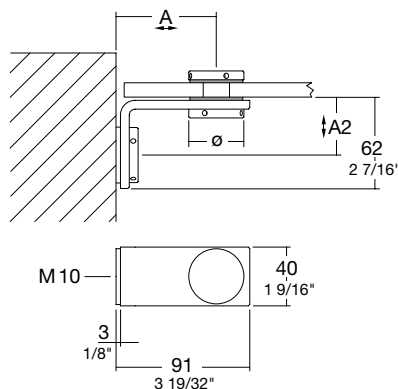
///: Flatec angle-connector | Glass-wall ///

Flatec 90°-connector

Art. No.	ø	GS	A	A2
USO270EF	1 1/2"	5/16"-1/2"	2 11/16"	1 17/32"

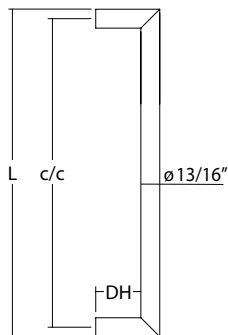
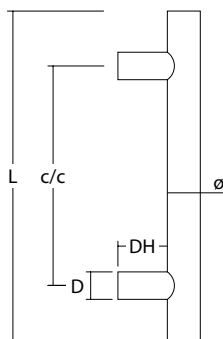
plain profile 3 19/32" / 2 7/16" x 1 9/16",
 chamfered framed edge (onesided), material thickness $t = 1/4"$, decorative caps ø 1 1/2" with 4 tighten holes glass thickness $GS = 5/16"-1/2"$ (starting from 7/16" glass use thread pin M10x25)
 glass protection set
 satin stainless steel (AISI 303/304)

- ▼ Distance A and A2 +/- 1/8" adjustable
- ▼ Glass drilling ø 23/32" + 1/64"
- ▼ Mounting with ø 5/32" cylinder bolt or hook wrench - DIN 1816 (Art. No. Z924)



Door and flush handles

▼ To complete your individual designs and plans with our sliding door systems, we provide you with a comprehensive range of door handles and flush handles. You can perfectly complement all glass and wood sliding door systems with the stainless steel handles, shown here as an example. Using various attachment sets, you can mount the handles visibly as well as invisibly, both as single handles and in handle pairs. All door handles are manufactured in finely ground stainless steel. Please ask us about special lengths for your objects. Please refer to www.abp-beyerle.de and our master catalogue for additional products and more information.



▨ : Door handle Impero ø 1"

For Glass doors

Art. No. Single handle	Art. No. Handle set	L	c/c
SI300-25EF-SG	SI300-25EF-PG	11 13/16"	8 1/4"
SI400-25EF-SG	SI400-25EF-PG	15 3/4"	11 13/16"
SI500-25EF-SG	SI500-25EF-PG	19 11/16"	13 3/4"
SI600-25EF-SG	SI600-25EF-PG	23 5/8"	15 3/4"
SI900-25EF-SG	SI900-25EF-PG	35 7/16"	27 9/16"
SI1200-25EF-SG	SI1200-25EF-PG	47 1/4"	35 7/16"

For Wood doors

Art. No. Single handle	Art. No. Handle set	L	c/c
SI300-25EF-SW	SI300-25EF-PW	11 13/16"	8 1/4"
SI400-25EF-SW	SI400-25EF-PW	15 3/4"	11 13/16"
SI500-25EF-SW	SI500-25EF-PW	19 11/16"	13 3/4"
SI600-25EF-SW	SI600-25EF-PW	23 5/8"	15 3/4"
SI900-25EF-SW	SI900-25EF-PW	35 7/16"	27 9/16"
SI1200-25EF-SW	SI1200-25EF-PW	47 1/4"	35 7/16"

passage height DH = 1 3/4"

mounting set for glass or wood doors, handle bar: ø 1", material thickness t = 5/64", satin stainless steel (AISI 304), distance D: ø 7/8", satin stainless steel (AISI 303), solid

▼ Glass drill holes ø 9/16", Wood drill holes ø 1/2"

▨ : Door handle Beluga ø 13/16"

For Glass doors

Art. No. Single handle	Art. No. Handle set	L	c/c
SG300-20EF-SG	SG300-20EF-PG	11 13/16"	11 1/64"
SG400-20EF-SG	SG400-20EF-PG	15 3/4"	14 15/16"
SG500-20EF-SG	SG500-20EF-PG	19 11/16"	18 7/8"
SG600-20EF-SG	SG600-20EF-PG	23 5/8"	22 13/16"
SG900-20EF-SG	SG900-20EF-PG	35 7/16"	34 5/8"
SG1200-20EF-SG	SG1200-20EF-PG	47 1/4"	46 7/16"

For Wood doors

Art. No. Single handle	Art. No. Handle set	L	c/c
SG300-20EF-SW	SG300-20EF-PW	11 13/16"	11 1/64"
SG400-20EF-SW	SG400-20EF-PW	15 3/4"	14 15/16"
SG500-20EF-SW	SG500-20EF-PW	19 11/16"	18 7/8"
SG600-20EF-SW	SG600-20EF-PW	23 5/8"	22 13/16"
SG900-20EF-SW	SG900-20EF-PW	35 7/16"	34 5/8"
SG1200-20EF-SW	SG1200-20EF-PW	47 1/4"	46 7/16"

passage height DH = 1 3/4"

mounting set for glass or wood doors, handle bar: ø 13/16" satin stainless steel (AISI 303), solid

▼ Glass drill holes ø 1/2", Wood drill holes ø 3/8"

/// : Door handle Thalís ø 1" ///

For Glass doors

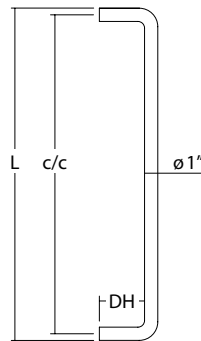
Art. No. Single handle	Art. No. Handle set	L	c/c
SN325-25EF-SG	SN325-25EF-PG	12 13/16"	11 13/16"
SN625-25EF-SG	SN625-25EF-PG	24 5/8"	23 5/8"

For wood doors

Art. No. Single handle	Art. No. Handle set	L	c/c
SN325-25EF-SW	SN325-25EF-PW	12 13/16"	11 13/16"
SN625-25EF-SW	SN625-25EF-PW	24 5/8"	23 5/8"

passage height DH = 1 3/4"
mounting set for glass or wood doors
satin stainless steel (AISI 304)

- ▼ Glass drill holes ø 9/16"
- Wood drill holes ø 1/2"

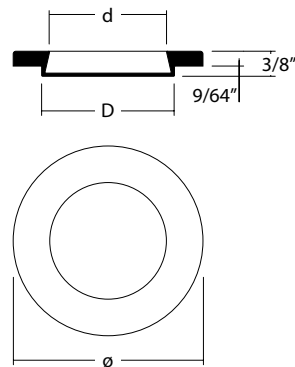


/// : Flush handle Diskus ///

Art. No.	ø	d	D
GO70-4EF	2 3/4"	ø 1 5/8"	ø 1 15/16"
GO90-4EF	3 9/16"	ø 2 7/16"	ø 2 11/16"
GO90-4DB	3 9/16"	ø 2 7/16"	ø 2 11/16"

for glass doors, satin stainless steel (AISI 303)
and stainless steel - dark bronze coated (DB)
insertion depth 9/64"
satin stainless steel

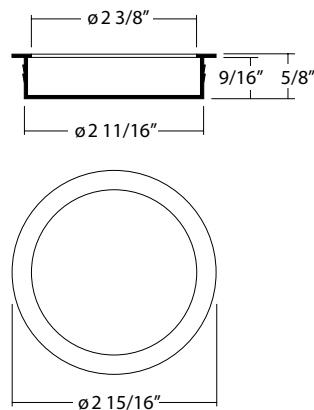
- ▼ Glass drill holes ø 2" and ø 2 3/4"



/// : Flush handle Kambium ///

Art. No.	
GN75-14EF	especially made for wood doors, with stud force fitting, ø 2 15/16", insertion depth 9/16", satin stainless steel (AISI 303)
GN75-14DB	stainless steel - dark bronze coated (DB)

- ▼ Wood drill holes ø 2 21/32"



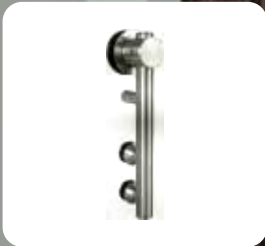


Distributed in North America and Canada

1294 Logan Circle NW
Atlanta, GA 30318, USA
Phone: (404) 350-9738
Fax: (404) 355-0166
info@ambaproducts.com
www.ambaproducts.com



www.abp-beyerle.de



Slick
Sliding door systems



Sliding door systems made from stainless steel

Sliding doors made from glass and wood are fascinating and lend rooms a special flair. Visible technology and high-grade craftsmanship set new accents in room design. All products are characterised by their solid construction, easy use and quiet movement. There are different designs of hardware available to satisfy your designing needs.

You can choose the prefabricated sets or individually plan your sliding door system for your project. We can supply a large selection of door and flush handles. Please refer to www.beyerle-us.com

- German engineering - Made in Germany
- Stainless steel components
- Smooth, easy and quiet movement
- Capacity 100 kg (220 lbs) for 1 door
- Various designs for glass and wood doors
- Product range stocked in Atlanta, GA, USA
- Custom sizes are available for projects
- Customer phone service in America

Evidence of Performance
Hardware for sliding doors as per
DIN EN 1527 : 1998

Test Report 215 43438/1

Translation of Test Report 215 43438 dated
17 August 2010

Client: **ABP-Beyerle GmbH**
Im Schollengarten 24b
D-76646 Bruchsal

Construction product: **Hardware for sliding doors**

Designation: **Flatec 4**

Item numbers for
timber doors: **USO95**

Item numbers for
glass doors: **USO94**

Track: **PEF-US-LS18R**

Rollers for
timber doors: **USO128EF**

Rollers for
glass doors: **USO127EF**


**USO227EF (timber door) and
USO228EF (glass door)**

Wall connection

Max. load-bearing
capacity: **100 kg**

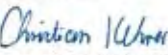
Fixing of track
supports: **M8 stud screw**


Installation and
assembly: **According to installation and assembly instructions of
company ABP-Beyerle GmbH**

 **The hardware for sliding doors qualifies for the
following classification as per DIN EN 1527:1998:**

Category of use	Durability	Door mass	Fire resistance	Safety	Corrosion resistance	Secu- rity	Appli- cation	Initial friction
-/-	6	2	0	-/-	4	-/-	1	3

IFT Rosenheim
9 September 2010




Christian Kuhn
 Dipl.-Ing. (FH)
 Head of Testing Department



Alexander Spreitzer
 Product engineer
 Building components

IFT Rosenheim GmbH
D-93049 Rosenheim
Gartenstraße 1
Dr. Joachim Peck

Telefon: 09302 91-7 - 9
D-93049 Rosenheim
Tel: +49 (0)9302 91-9
Fax: +49 (0)9302 91-299
www.ift-rosenheim.de


Str.: 93028 Rosenheim
Alt. Trautwein, 1998 14820
Spezialvers. Rosenheim
Hof, 930 420 200
82.711 500 02

Notified Body No.: 0207
Anerkennung: POC-SIG-BAY 18
 



Basis
DIN EN 1527 : 1998 – Hard-
ware for sliding doors and fold-
ing doors - Requirements and
test methods

Representation



Instructions for use
This test report serves to verify
the performance of hardware as
per DIN EN 1527 : 1998.

Validity
The data and results given refer
solely to the tested construction
products.

Notes on publication
The IFT Guidance Sheet "Condi-
tions and Guidance for the Use
of IFT Test Documents" applies.
The cover sheet can be used
as an abstract.

Contents
The report comprises a total of
39 pages.
1 Object
2 Procedure
3 Detailed results
4 Evaluation of test results
5 Overall assessment
Annex 1 (26 pages)

Certificate from ift Rosenheim
Fittings for sliding doors in
accordance with DIN EN 1527 : 1998
(comparable ANSI-Standard grade 1)

The testing institute ift Rosenheim has success-
fully tested our ABP-Beyerle sliding door systems
for glass or wooden doors.

The assessment tests apply for the systems
(track: stainless steel tube, AISI304)
Flatec IV (Slick 1), Flatec V (Slick 2) and
Plano (Slick 3)


Duration of functional ability:
100,000 cycles


Maximum door weight:
100 kg, (220 lbs)

Corrosion resistance:
240 h salt spray fog test
in accordance with EN 1670

Initial friction:
less than or equal to 40 N
with a 100 kg (220 lbs) door.
Effective 22 N = ADA compliant

Model, program, technical modifications, information and errors are excepted. The right to make design or specification changes is reserved at any time.

:02 

ABP  beyerle

Sets for glass doors

/// : Slick 1 | Glass

Complete sets, standard model $t = 5/16'' - 1/2''$
height-adjustable approx. $\pm 1/8''$, consisting of:

- 1 Guide rail -tube-, stainless steel, $\varnothing 1''$, USO202EF
length: see table
- 4 - 5 Wall attachments, stainless steel, USO228EF
- 2 Trolleys Slick 1 glass, stainless steel, USO127EF
- 2 Door stopper, stainless steel, USO256EF
- 1 Bottom guide, stainless steel, USO261EF
- 1 Allen key (SW5), Z926
- 1 Installation instructions

Set numbers	Guide rail length inch	Passage width inch
USU94-1800EF	70 7/8"	29 1/2" - 35 7/16"
USU94-2100EF	82 11/16"	35 13/16" - 39 3/8"
USU94-2300EF	90 9/16"	39 3/4" - 44 1/16"
USU94-2540EF	100"	44 1/2" - 49 3/16"

▼ Glass drill holes $\varnothing 17/32''$

The maximum door weight is 100 kg (220 lbs)

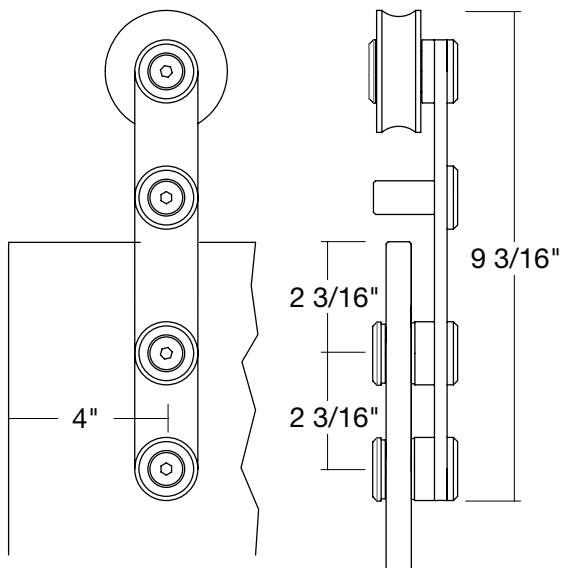
For baseboards and trimmings, order spacer (stainless steel, USO226-19EF) separately for each wall attachment.

You can find planning guides with drill hole sizes and installation instructions at www.ambaproducts.com

+ For projects ask for a quote:

Special lengths for guide rails, other individual components and accessories. (refer to info@ambaproducts.com)

Minimum order quantities -10 sets



Sets for wooden doors

/// Slick 1 | Wood

Complete sets, standard model t up to 1 3/4" height- adjustable approx. +/- 1/8", consisting of:

- 1 Guide rail -tube-, stainless steel, Ø 1", USO202EF
length: see table
- 4 - 5 Wall attachments, stainless steel, USU227
- 2 Trolleys Slick 1 wood, stainless steel, USO128EF
- 2 Door stopper, stainless steel, USO256EF
- 1 Bottom guide, plastic, USH268K
- 1 Allen key (SW5), Z926
- 1 Installation instructions

Set numbers	Guide rail length inch	Passage width inch
USU95-1800EF	70 7/8"	29 1/2" - 35 7/16"
USU95-2100EF	82 11/16"	35 13/16" - 39 3/8"
USU95-2300EF	90 9/16"	39 3/4" - 44 1/16"
USU95-2540EF	100"	44 1/2" - 49 3/16"

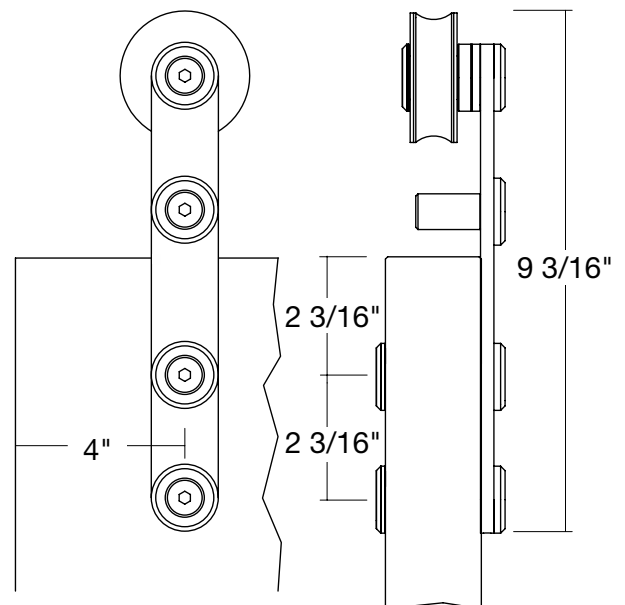
▼ Wood drill holes Ø 13/32"

The maximum door weight is 100 kg (220 lbs)

For baseboards and trimmings, order spacer (stainless steel, USO226-33EF) separately for each wall attachment.

You can find planning guides with drill hole sizes and installation instructions at www.ambaproducts.com

- + For projects ask for a quote:
Special lengths for guide rails, other individual components and accessories. (refer to info@ambaproducts.com)
Minimum order quantities -10 sets



Sets for wooden doors

/// : Slick 2 | Wood

Complete-sets, standard model $t = 1 \frac{7}{16}'' - 1 \frac{3}{4}''$
no height adjustment, consisting of:

- 1 Guide rail -tube-, stainless steel, $\varnothing 1''$, USO202EF
 length: see table
- 4 - 5 Wall attachments, stainless steel, USO227EF
- 2 Trolleys Slick 2 wood, stainless steel, USO132EF
- 2 Door stopper, stainless steel, USO256EF
- 1 Bottom guide, plastic, USH268K
- 1 Allen key (SW5), Z926
- 1 Installation instructions

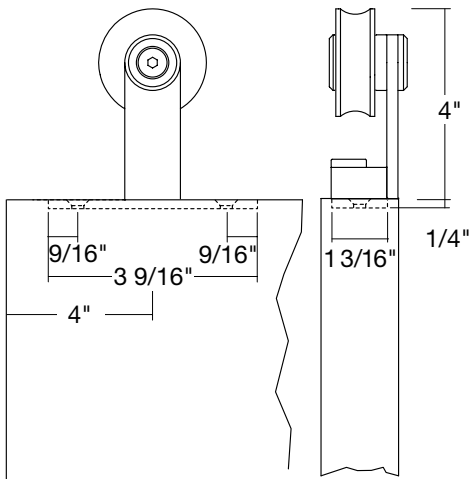
Set numbers	Guide rail length inch	Passage width inch
USU96-1800EF	70 $\frac{7}{8}''$	29 $\frac{1}{2}'' - 35 \frac{7}{16}''$
USU96-2100EF	82 $\frac{11}{16}''$	35 $\frac{13}{16}'' - 39 \frac{3}{8}''$
USU96-2300EF	90 $\frac{9}{16}''$	39 $\frac{3}{4}'' - 44 \frac{1}{16}''$
USU96-2540EF	100''	44 $\frac{1}{2}'' - 49 \frac{3}{16}''$

▼ The maximum door weight is 100 kg (220 lbs)

For baseboards and trimmings, order spacer (stainless steel, USO226-33EF) separately for each wall attachment.

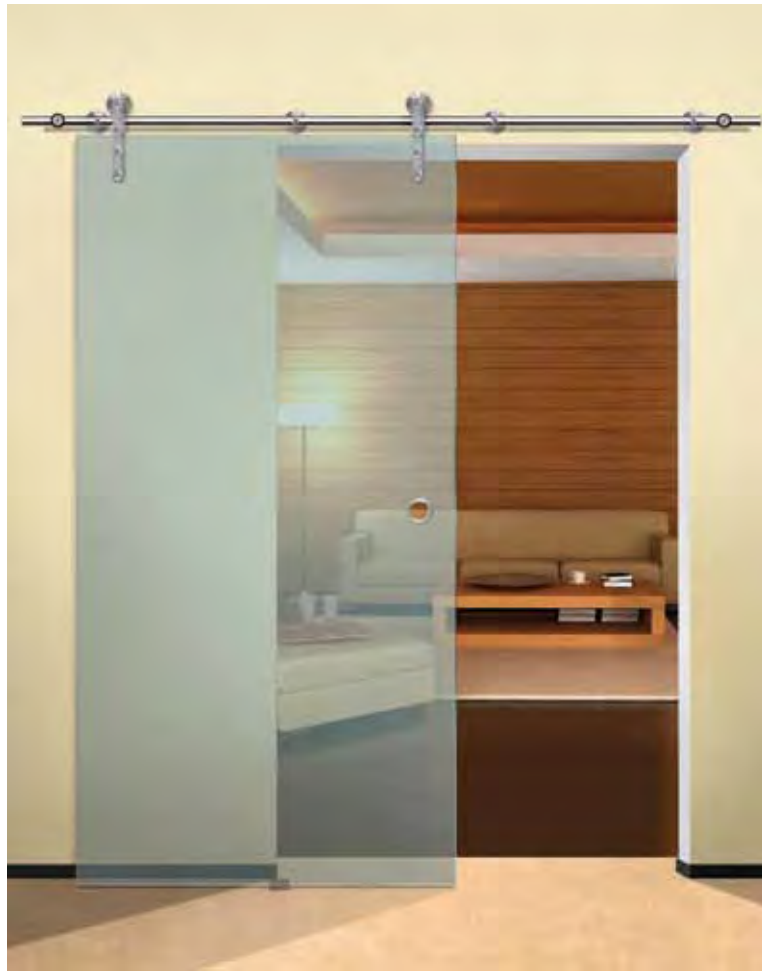
You can find planning guides with drill hole sizes and installation instructions at www.ambaproducts.com

- + For projects ask for a quote:
 Special lengths for guide rails, other individual components and accessories. (refer to info@ambaproducts.com)
 Minimum order quantities -10 sets



Sets for glass doors

/// : Slick 3 | Glass



Complete-sets, standard model $t = 5/16'' - 1/2''$
no height adjustment, consisting of:

- 1 Guide rail -tube-, stainless steel, $\varnothing 1''$, USO202EF
length: see table
- 4 - 5 Wall attachments, stainless steel, USU228EF
- 2 Trolleys Slick 3 glass, stainless steel, USO124EF
- 2 Door stopper, stainless steel, USO256EF
- 1 Bottom guide, stainless steel, USO261EF
- 1 Allen key (SW5), Z926
- 1 Installation instructions

Set numbers	Guide rail length inch	Passage width inch
USU97-1800EF	70 7/8"	29 1/2" - 35 7/16"
USU97-2100EF	82 11/16"	35 13/16" - 39 3/8"
USU97-2300EF	90 9/16"	39 3/4" - 44 1/16"
USU97-2540EF	100"	44 1/2" - 49 3/16"

▼ Glass drill holes $\varnothing 19/32''$

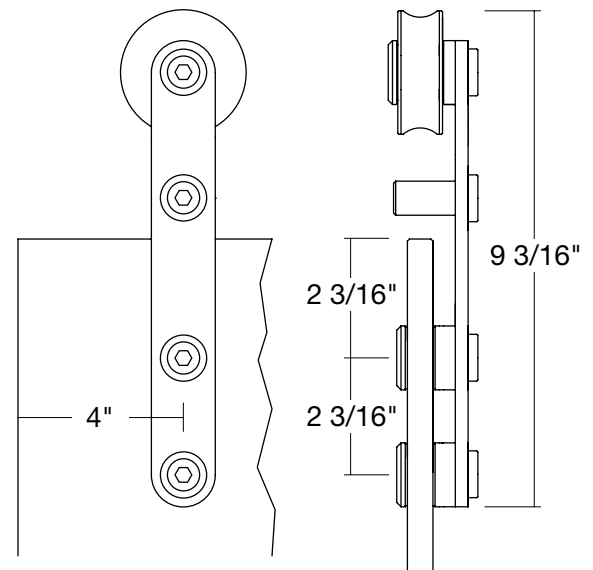
The maximum door weight is 100 kg (220 lbs)

For baseboards and trimmings, order spacer (stainless steel, USO226-19EF) separately for each wall attachment.

You can find planning guides with drill hole sizes and installation instructions at www.ambaproducts.com

+ For projects ask for a quote:

Special lengths for guide rails, other individual components and accessories. (refer to info@ambaproducts.com)
 Minimum order quantities -10 sets



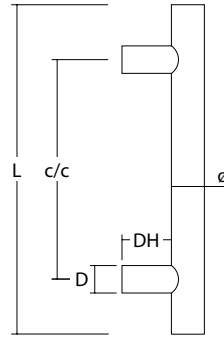
Door and flush handles

▨ : Door handle - Impero \varnothing 1" ▨

Art. No. Single handle	Art. No. Pair handle	L	c/c
For glass doors			
SI300-25EF-SG	SI300-25EF-PG	11 13/16"	8 1/4"
For wood doors			
SI300-25EF-SW	SI300-25EF-PW	11 13/16"	8 1/4"

passage height DH = 1 3/4"
 mounting set for glass or wood doors, handle bar: \varnothing 1",
 tube thickness t = 5/64", satin stainless steel (AISI 304),
 distance D: \varnothing 7/8", satin stainless steel (AISI 303), solid

- ▼ Glass drill holes \varnothing 9/16"
- Wood drill holes \varnothing 1/2"

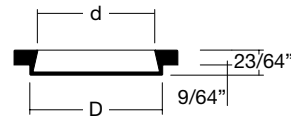


▨ : Flush handle - Diskus ▨

Art. No.	\varnothing	d	D	GB
GO50-4AE	2"	\varnothing 1 5/16"	\varnothing 1 9/16"	\varnothing 1 5/8"

1 flush handle for glass and wood doors,
 provided with self-adhesive ring for mounting
 insertion depth 9/64"
 aluminum natural anodized

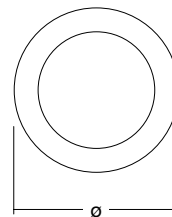
- ▼ Glass drill holes GB



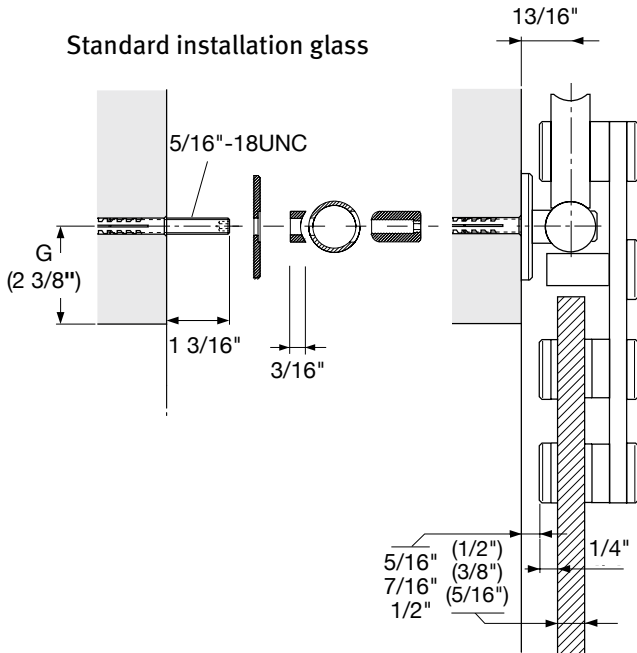
Art. No.	\varnothing	d	D	GB
GO60-4EF	2 3/8"	\varnothing 1 5/8"	\varnothing 1 15/16"	\varnothing 2"

1 flush handle for glass and wood doors,
 provided with self-adhesive ring for mounting
 insertion depth 9/64"
 satin stainless steel (AISI 303)

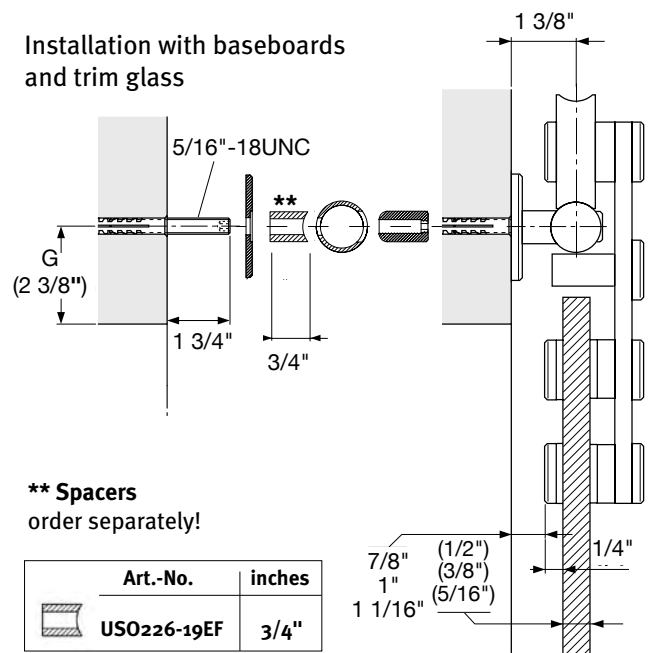
- ▼ Glass drill holes GB




Standard installation glass



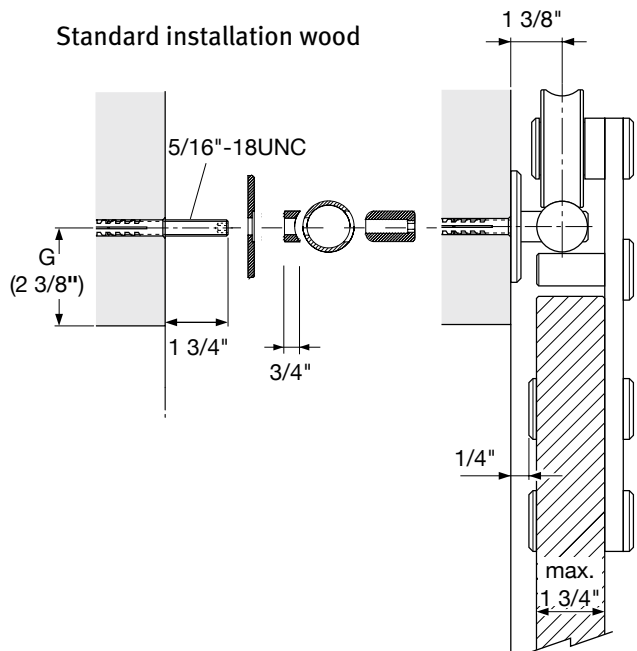
Installation with baseboards and trim glass



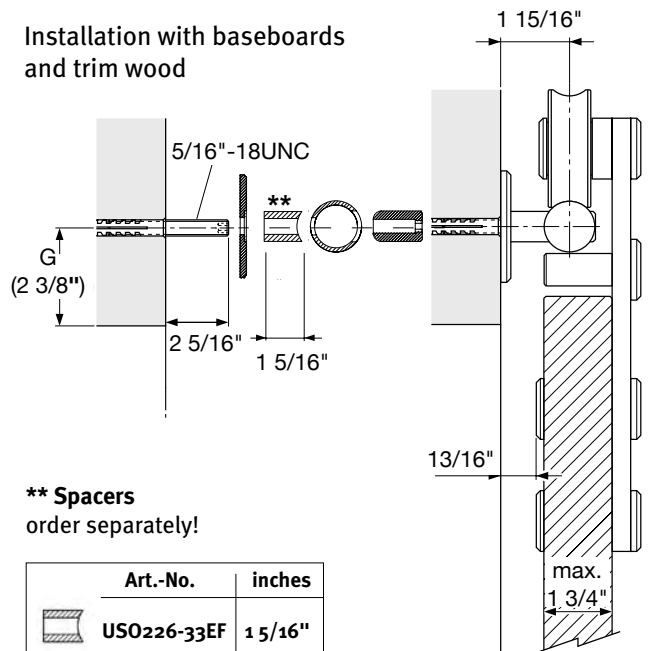
**** Spacers**
order separately!

Art.-No.	inches
 US0226-19EF	3/4"


Standard installation wood



Installation with baseboards and trim wood



**** Spacers**
order separately!

Art.-No.	inches
 US0226-33EF	1 5/16"

Locking Pull System : 04



Model variation

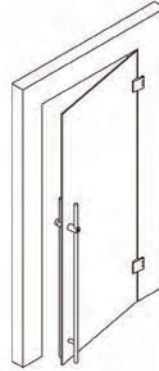
Half Height Pull - Bolt Down



Pull-single-	turning knob inside /	emergency release outside	dead bolt down
Pull-pair-	turning knob inside /	emergency release outside	dead bolt down
Pull-pair-	turning knob inside /	key lock* outside	dead bolt down
Pull-pair-	key lock* inside /	key lock* outside	dead bolt down

*key lock housing suitable for 6 or 7 pin SFIC Cylinder

Standard door size 84"



Half Height Pull - Bolt Up



Pull-single-	turning knob inside /	emergency release outside	dead bolt up
Pull-pair-	turning knob inside /	emergency release outside	dead bolt up
Pull-pair-	turning knob inside /	key lock* outside	dead bolt up
Pull-pair-	key lock* inside /	key lock* outside	dead bolt up

*key lock housing suitable for 6 or 7 pin SFIC Cylinder

Standard door size	84"
Custom available	96" 108" 120"

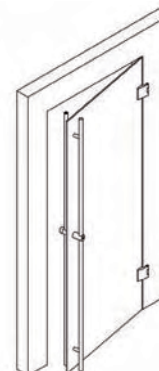
Full Height Pull - Bolt Up + Down



Pull-pair-	turning knob inside /	key bolt lock* outside	dead bolt up and down
Pull-pair-	key lock* inside /	key lock* outside	dead bolt up and down

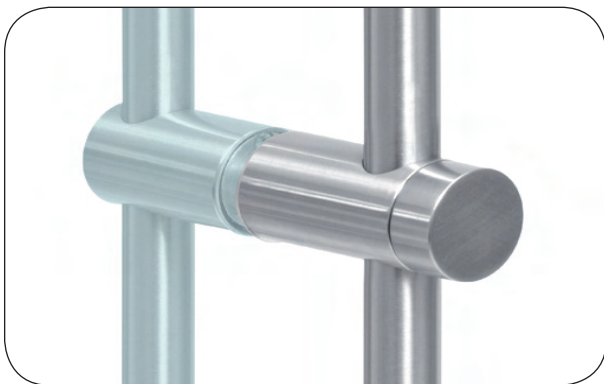
*key lock housing suitable for 6 or 7 pin SFIC Cylinder

Standard door size 84"





Turning Knob Inside/Emergency Release Outside



Turning Knob Inside



Key Operated Lock Inside + Outside

Specifications and Combinations:

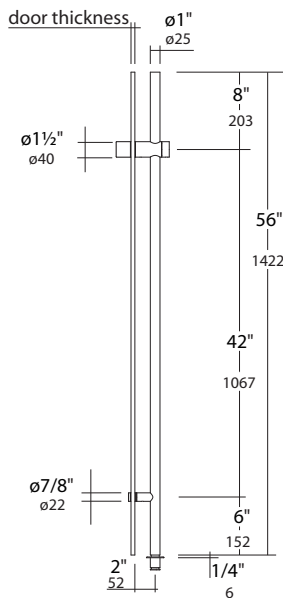
- Satin stainless steel AISI 303/304
- Turning knob inside/emergency release outside
- Key operated lock (6 or 7 pin SFIC core) outside / turning knob inside
- Cylinder lock height 48" or 44" complying ADA /CA Title 24
- One side or two side use (back to back)
- Door thickness 3/8" – 5/8" for glass or 1 1/2" – 1 3/4" for wood
- Pull handle Ø 1" for Half Height Pulls and Ø 1 3/8" for Full Height Pulls
- Dust proof strikes in different varieties
- Dead bolt down or up for Half Height Pulls and dead bolt up and down for Full Height Pulls

Benefits:

- Patented locking device tested with 500 000 movements
- Self-blockage locking device / unique clutch system avoids lifting up the dead bolt
- Highly secured interlocking system with Ø 1/2" bolt
- Smooth turn and lock through a unique ball bearing mechanism
- Unlimited flexibility and keying options by using 6 or 7 pin SFIC cylinders
- No need to bend down to lock or unlock door (chest level)
- Turning direction clockwise (Standard)
- Turning direction counter clockwise (Custom)

Half Height Pull - Bolt Down

Door Pull – single-
Turning knob inside,
Emergency release outside



Glass Door types: 3/8" – 5/8", door sizes: 84":

Item no	L	c/c	D
SIB1422DN-25EF	56"	42"	1"

Pull handle ø 1"

Door types wood or hollow metal: 1 1/2" - 1 3/4":

Item no	L	c/c	D
SIH1422DN-25EF	56"	42"	1"

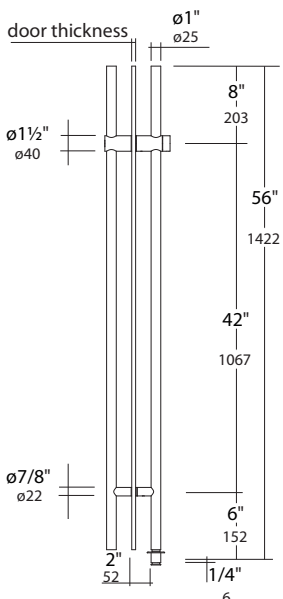
Pull handle ø 1"

Dead Bolt down

Delivery without strike (see page 10)

Material: Satin stainless steel (AISI 303/304)

Door Pull Pair –
Turning knob inside,
Emergency release outside



Glass Door types: 3/8" – 5/8", door sizes: 84":

Item no	L	c/c	D
SIB1422DN-25EF-B	56"	42"	1"

Pull handle ø 1"

Door types wood or hollow metal: 1 1/2" - 1 3/4":

Item no	L	c/c	D
SIH1422DN-25EF-B	56"	42"	1"

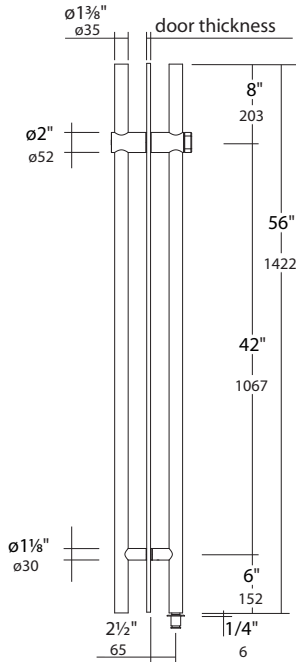
Pull handle ø 1"

Dead Bolt down

Delivery without strike (see page 10)

Material: Satin stainless steel (AISI 303/304)

Door Pull Pair –
Turning knob inside,
Key bolt lock outside



Glass Door types: 3/8" – 5/8", door sizes: 84":

Item no	L	c/c	D
SIB1422DS-35EF-B	56"	42"	1 3/8"

Pull handle \varnothing 1 3/8"

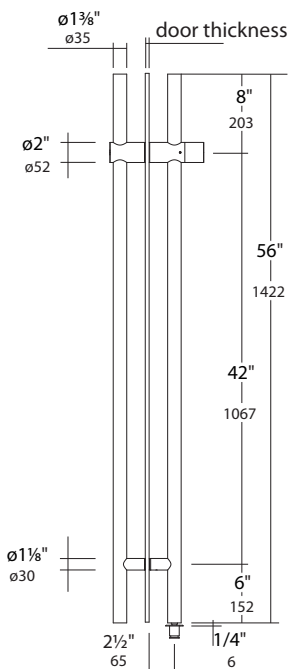
Door types wood or hollow metal: 1 1/2"-1 3/4":

Item no	L	c/c	D
SIH1422DS-35EF-B	56"	42"	1 3/8"

Pull handle \varnothing 1 3/8"

Dead Bolt down
Incl. Key Bolt Lock
Delivery without strike (see page 10)
Material: Satin stainless steel (AISI 303/304)

Door Pull Pair –
Key bolt lock inside,
Key bolt lock outside



Glass Door types: 3/8" – 5/8", door sizes: 84":

Item no	L	c/c	D
SIB1422SS-35EF-B	56"	42"	1 3/8"

Pull handle \varnothing 1 3/8"

Door types wood or hollow metal: 1 1/2" - 1 3/4":

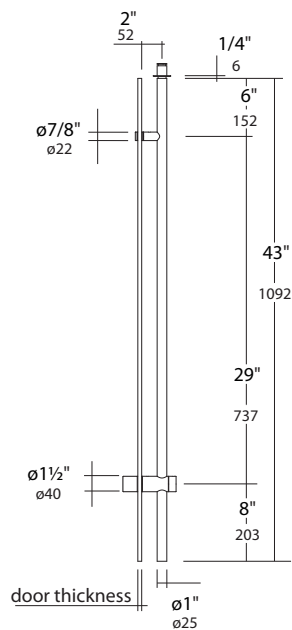
Item no	L	c/c	D
SIH1422SS-35EF-B	56"	42"	1 3/8"

Pull handle \varnothing 1 3/8"

Dead Bolt down
Incl. Key Bolt Lock
Delivery without strike (see page 10)
Material: Satin stainless steel (AISI 303/304)
Available September 2012

Half Height Pull - Bolt Up

Door Pull -single-
Turning knob inside,
Emergency release outside



Glass Door types: 3/8" – 5/8", door Size: 84"

Item no	L	c/c	D
SIB1092DN-25EF	43"	29"	1"

Pull handle ø 1"

Door types wood or hollow metal: 1 1/2" – 1 3/4";
door Size: 84"

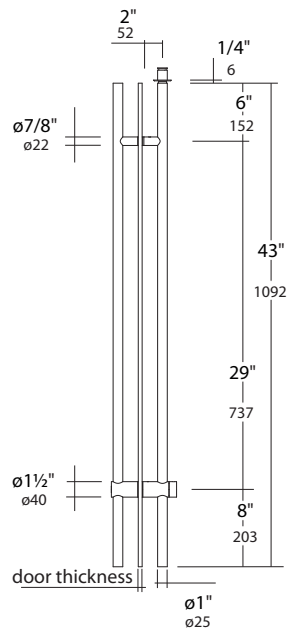
Item no	L	c/c	D
SIH10920DN-25EF	43"	29"	1"

Pull handle ø 1"

Dead Bolt top
Delivery without strike (see page 10)
Material: Satin stainless steel (AISI 303/304)

Custom available for door size: 96" 108" 120"

Door Pull Pair –
Turning knob inside,
Emergency release outside



Glass Door types: 3/8" - 5/8", door Size: 84"

Item no	L	c/c	D
SIB1092DN-25EF-B	43"	29"	1"

Pull handle ø 1"

Door types wood or hollow metal: 1 1/2" - 1 3/4";
door Size: 84"

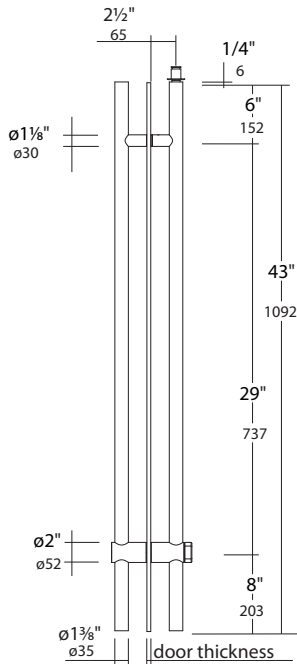
Item no	L	c/c	D
SIH-1092DN-25EF-B	43"	29"	1"

Pull handle ø 1"

Dead Bolt top
Delivery without strike (see page 10)
Material: Satin stainless steel (AISI 303/304)

Custom available for door size: 96" 108" 120"

Door Pull Pair –
Turning knob inside,
Key bolt lock outside



Glass Door types: 3/8" – 5/8", door Size: 84"

Item no	L	c/c	D
SIB1092DS-35EF-B	43"	29"	1 3/8"

Pull handle \varnothing 1 3/8"

Door types wood or hollow metal: 1 1/2" – 1 3/4";
door Size: 84"

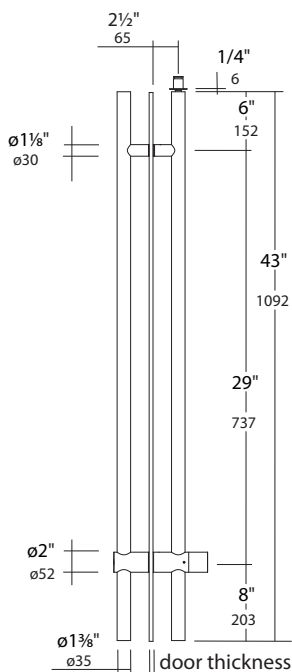
Item no	L	c/c	D
SIH1092DS-35EF-B	43"	29"	1 3/8"

Pull handle \varnothing 1 3/8"

Dead Bolt top
Incl. Key bolt lock
Delivery without strike (see page 10)
Material: Satin stainless steel (AISI 303/304)

Custom available for door size: 96" 108" 120"

Door Pull Pair –
Key bolt lock inside,
Key bolt lock outside



Glass Door types: 3/8" – 5/8", door Size: 84"

Item no	L	c/c	D
SIB1092SS-35EF-B	43"	29"	1 3/8"

Pull handle \varnothing 1 3/8"

Door types wood or hollow metal: 1 1/2" 2 – 1 3/4";
door Size: 84"

Item no	L	c/c	D
SIH1092SS-35EF-B	43"	29"	1 3/8"

Pull handle \varnothing 1 3/8"

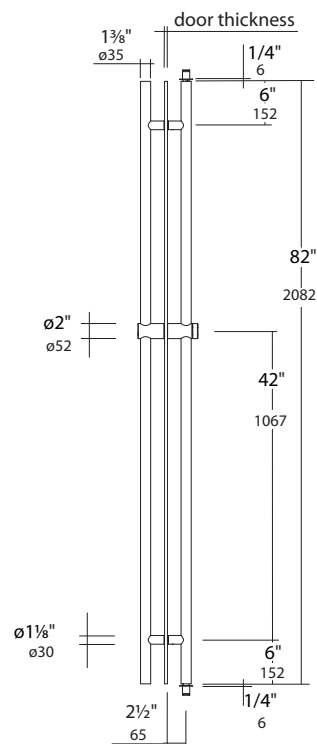
Dead Bolt top
Incl. Key bolt lock
Delivery without strike (see page 10)
Material: Satin stainless steel (AISI 303/304)

Custom available for door size: 96" 108" 120"

Available September 2012

Full Height Pull - Bolt Up + Down

Door Pull Pair –
Turning knob inside,
Key bolt lock outside



Glass Door types: 3/8" – 5/8", door sizes: 84"

Item no	L	c/c	D
SIB2082DS-35EF-B	82"	42"/28"	1 3/8"

Fixed length
Pull handle ø 1 3/8"

Custom length:	L	c/c	D
SIA-XXDS-35EF-B	on demand	on demand	1 3/8"

Door types wood or hollow metal: 1 1/2" – 1 3/4",
door sizes: 84":

Item no	L	c/c	D
SIH-2082DS-35EF-B	82"	42"/28"	1 3/8"

Fixed Length
Pull handle ø 1 3/8"

Custom length:	L	c/c	D
SIH-XXDS-35EF-B	on demand	on demand	1 3/8"

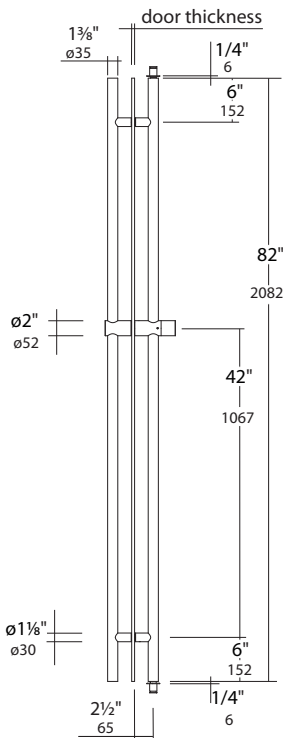
Pull handle ø 1 3/8"

Dead Bolt up and down
Incl. Key bolt lock
Delivery without strikes (see page 10)
Material: Satin stainless steel (AISI 303/304)

Custom available for door size: 96" 108" 120"

Please use the form for custom length.

Door Pull Pair –
Key bolt lock inside,
Key bolt lock outside



Glass Door types: 3/8" – 5/8", door size: 84"

Item no	L	c/c	D
SIB2082SS-35EF-B	82"	42"/28"	1 3/8"

Fixed length
Pull handle ø 1 3/8"

Custom length:	L	c/c	D
SIA-XXSS-35EF-B	on demand	on demand	1 3/8"

Door types wood or hollow metal: 1 1/2" – 1 3/4";
door size: 84"

Item no	L	c/c	D
SIH2082SS-35EF-B	82"	42"/28"	1 3/8"

Fixed length
Pull handle ø 1 3/8"

Custom length:	L	c/c	D
SIH-XXSS-35EF-B	on demand	on demand	1 3/8"

Pull handle ø 1 3/8"

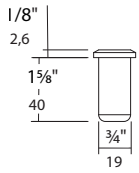
Dead Bolt up and down
Incl. Key bolt lock
Delivery without strikes (see page 10)
Material: Satin stainless steel (AISI 303/304)

Custom available for door size: 96" 108" 120"
Available September 2012

Please use the form for custom length.

Strikes

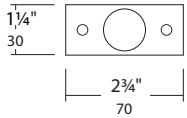
Dust Proof Strike for 1/2" Bolt



Item no	D	d	T
SIB0007EF	1"	1/2"	1 5/8"

Attend to fitting dimensions
Material: Steel nickel plated

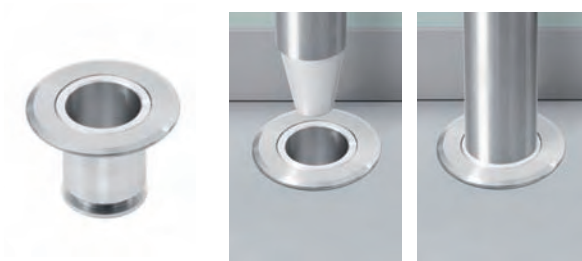
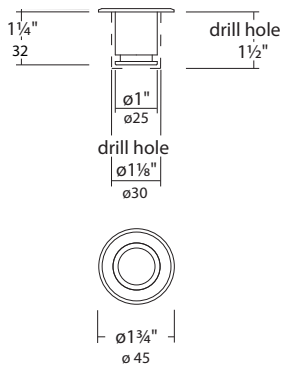
Strike (Additional Plate) for 1/2" Bolt



Item no	L	W	t
SIB0006EF	2 3/4"	1 1/4"	1/8"

Suitable for SIB0007EF
Attend to fitting dimensions
Material: Steel nickel plated

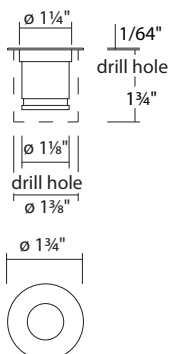
Strike for 7/8" Bolt



Item no	D	d	T
SIB0004EF	1 3/4"	7/8"	1 1/4"

Drill hole \varnothing 1 1/8" x 1 1/2"
Attend to fitting dimensions
Material: Satin stainless steel (AISI 303),
Aluminum

Dust Proof Strike for 7/8" Bolt



Item no	D	d	T
SIB0005EF	1 3/4"	7/8"	1 3/8"

Drill hole \varnothing 1 3/8" x 1 3/4"
Attend to fitting dimensions
Material: Satin stainless steel (AISI 303),
Aluminum





Distributed in North America and Canada

1294 Logan Circle NW
Atlanta, GA 30318, USA
Phone: (404) 350-9738
Fax: (404) 355-0166
info@ambaproducts.com
www.ambaproducts.com



BeyerleUS LLC | Atlanta
www.abp-beyerle.de

Please have a look at our different selections of:



Sliding door systems:
Base bottom roller „Belans“



Leather Cabinet Hardware In Stainless Steel
Precision Craftsmanship - Made In Germany

: 01



Leather Cabinet Hardware



Dimensions in inch are approximate, values in mm are more precise



Calus - Handle 1/2" x 1/2"

Handle with plain leather

Art. No.	L	c/c	Color	Pattern
MU128-12EF-L003	5 1/2"	5 1/16"	cocoa	plain
MU160-12EF-L003	6 3/4"	6 5/16"	cocoa	plain
MU320-12EF-L003	13 1/16"	12 5/8"	cocoa	plain
MU480-12EF-L003	19 3/8"	18 7/8"	cocoa	plain
MU640-12EF-L003	25 11/16"	25 3/16"	cocoa	plain

width B = approx. 1/2", height H = approx. 1 1/4", M4 satin stainless steel (AISI 304), solid

Handle with stitched leather

Art. No.	L	c/c	Color	Pattern
MU192-12EF-L005	8 1/16"	7 9/16"	cognac	pillow stitch

width B = approx. 1/2", height H = approx. 1 1/4", M4 satin stainless steel (AISI 304), solid

Ciba - Handle 13/16" x 5/16"

Handle with plain leather

Art. No.	L	c/c	Color	Pattern
MV128-20EF-L003	5 3/8"	5 1/16"	cocoa	plain

width B = approx. 13/16", height H = approx. 1 1/4", M4, satin stainless steel (AISI 304), solid

Handle with stitched leather

Art. No.	L	c/c	Color	Pattern
MV128-20EF-L006	5 3/8"	5 1/16"	cognac	double stitch
MV160-20EF-L007	6 5/8"	6 5/16"	cocoa	double stitch
MV192-20EF-L009	7 7/8"	7 9/16"	cognac	x-stitch

width B = approx. 13/16", height H = approx. 1 1/4", M4 satin stainless steel (AISI 304), solid

+ Customized lengths on request

Visconti - Wing Handle

Handle covered with plain leather

Art. No.	L	c/c	Color	Pattern
PL96-E1-L030	5 11/16"	3 3/4"	cognac	plain covered
PL96-E1-L031	5 11/16"	3 3/4"	cocoa	plain covered
PL96-E1-L029	5 11/16"	3 3/4"	toffee	plain covered
PL96-E1-L032	5 11/16"	3 3/4"	black	plain covered

overhang AL = 1", height H = 7/16", M4 die-cast zinc alloy completely covered

Ceres - Bar Handle

Handle bar with embossed leather ø 1/2"

Art. No.	L	c/c	Color	Pattern
MG220-12EF-L018	8 11/16"	6 5/16"	cognac	large ring emboss
MG220-12EF-L019	8 11/16"	6 5/16"	cocoa	large ring emboss
MG284-12EF-L019	11 3/16"	8 13/16"	cocoa	large ring emboss

Bar handle with 2 fixed bases ø 3/8"

height H = approx. 1 5/16", M4 satin stainless steel (AISI 303), solid

/// : Ceres - Bar Handle

Handle bar with plain leather \varnothing 1/2"

Art. No.	L	c/c	Color	Pattern
MG284-12EF-L003	11 3/16"	8 13/16"	cocoa	pla

Bar handle with 2 fixed bases \varnothing 3/8"
height H = approx. 1 5/16", M 4
satin stainless steel (AISI 303), solid



/// : Cirrus - C-Shape Handle

C-handle with stitched leather \varnothing 3/8"

Art. No.	L	c/c	Color	Pattern
MO96-10EF-L012	4 3/8"	6 5/16"	cocoa	double stitch
MO128-10EF-L012	5 3/4"	8 13/16"	cocoa	double stitch

height H = 1 7/16", M4
Metal covered with seamed leather



/// : Contur - D-Shape Handle

D-handle with embossed leather \varnothing 5/16"

Art. No.	L	c/c	Color	Pattern
MS72-8EF-L014	2 13/16"	2 1/2"	cognac	small ring emboss
MS106-8EF-L014	4 1/8"	3 3/4"	cognac	small ring emboss

height H = 1 1/8", M4
satin stainless steel (AISI 303), solid



D-handle with small ring embossed \varnothing 3/8"

Art. No.	L	c/c	Color	Pattern
MS138-10EF-L018	5 7/16"	5 1/16"	cognac	large ring emboss
MS298-10EF-L018	11 3/4"	11 5/16"	cognac	large ring emboss
MS298-10EF-L019	11 3/4"	11 5/16"	cocoa	large ring emboss

height H = 1 3/8", M4
satin stainless steel (AISI 303), solid

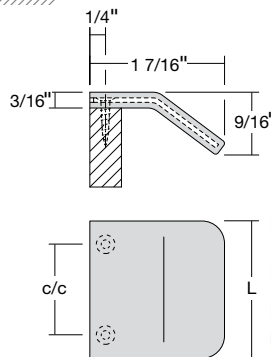


/// : Cippus - Wing Handle

Handle covered with stitched thick leather

Art. No.	L	c/c	Color	Pattern
MB28-L027	1 1/8"	5/8"	cognac	single stitch
MB76-L027	3"	2 1/4"	cognac	single stitch
MB140-L027	5 1/2"	4 3/4"	cognac	single stitch
MB28-L028	1 1/8"	5/8"	mocha	single stitch
MB76-L028	3"	2 1/4"	mocha	single stitch
MB140-L028	5 1/2"	4 3/4"	mocha	single stitch

Handle for top side mounting with wood screws
covering of the mounting screws after the mounting
with self-gluing strap
overhang AL = 1 7/16", thickness t = 3/16"
Metal sheet, covered with thick leather



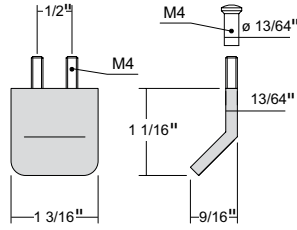
Leather Cabinet Hardware



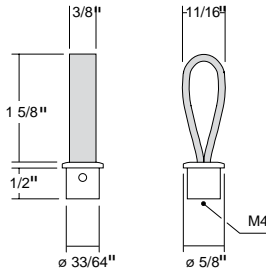
MC30-L025
c/c 12 mm - 1/2"



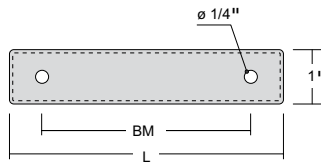
MC30-L026
c/c 12 mm - 1/2"



MD16-L026
c/c 13 mm - 3 3/64"



MA126-L023 c/c 96 mm - 3 3/4"



MA158-L021 c/c 128 mm - 5 1/16"



MA190-L022 c/c 160 mm - 6 5/16"



MA158-L021



satin stainless steel



polished stainless steel



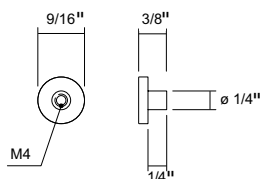
antique copper



antique brass



antique silver



Dimensions in inch are approximate, values in mm are more precise

Cillo - Handle

Handle covered with thick-leather

Art. No.	L	c/c	Color	Pattern
MC30-L025	1 3/16"	1/2"	mocha	plain
MC30-L026	1 3/16"	1/2"	black	plain

Handle with 2 thread pins (M4) incl. 2 screw bases \emptyset 13/64" for mounting on corpus from 5/8" up to 13/16" inch thickness, overhang AL = 1 1/16", t = 13/64"

Metal sheet covered with thick leather

Cors - Loop Handle

Base with plain thick leather

Art. No.	\emptyset	L	c/c	Color	Pattern
MD16-L026	5/8"	1 3/4"	\emptyset 33/64"	black	plain

Base with border, drill hole depth T = 1/2", M4 satin stainless steel (AISI 303), thick leather

Campus - Handle System

Strap handle

Art. No.	L	c/c	Color	Pattern
MA126-L023	4 15/16"	3 3/4"	black	single stitch
MA158-L023	6 1/4"	5 1/16"	black	single stitch
MA190-L023	7 1/2"	6 5/16"	black	single stitch
MA126-L021	4 15/16"	3 3/4"	cognac	single stitch
MA158-L021	6 1/4"	5 1/16"	cognac	single stitch
MA190-L021	7 1/2"	6 5/16"	cognac	single stitch
MA126-L022	4 15/16"	3 3/4"	mocha	single stitch
MA158-L022	6 1/4"	5 1/16"	mocha	single stitch
MA190-L022	7 1/2"	6 5/16"	mocha	single stitch

Strap handle with 2 holes \emptyset 1/4", width B = 1" thickness t = 1/8", stitched thick leather

▼ Campus-decor cap (\emptyset 9/16") for mounting order separately

▼ Strap pull MA158 is also useable for a loop handle with one decor cap

Decor cap

Art. No.	Pattern
S105-15EF-2	satin stainless steel
S105-15EP-2	solished stainless steel
S105-15KA-2	antique copper
S105-15MA-2	antique brass
S105-15SA-2	antique silver

1 set: 2 decor caps \emptyset 9 1/16", 2 screws M4 x 1" collar \emptyset 1/4" x 1/4" with M4, thread depth Gt = 3/16" satin stainless steel or metal with various surfaces

New Base Bottom Rollers
Silent Glam Wood
Belans Glass and Wood

Price Lists 05.2012

Sliding Door Systems
Leather Cabinet Hardware
Door Pull Handles



Price List Sliding Door Systems

Minimum Orders: A minimum order amount of \$100.00 US net is required. No minimum quantities.
For projects or larger quantities please ask for a quote. Prices in \$ plus packaging; ex works!
Prices effective 02/2012 are subject to change.

Page	Item-No.	Description	Guide rail length	Passage width	Price
4	USO80.1-1900EF	Silent Glam Sliding door kit for glass (7/16"-1/2")	74 3/16"	29 1/2"- 35 7/6"	\$1,993.00
4	USO80.1-2100EF	Silent Glam Sliding door kit for glass (7/16"-1/2")	82 11/16"	35 13/16"-39 3/8"	\$2,063.00
4	USO80.1-2350EF	Silent Glam Sliding door kit for glass (7/16"-1/2")	92 1/2"	39 3/4"- 44 1/16"	\$2,140.50
4	USO80.1-2600EF	Silent Glam Sliding door kit for glass (7/16"-1/2")	102 3/8"	44 1/2"- 49 3/16"	\$2,218.00
NEW	USO80.2-1900EF	Silent Glam Sliding door kit for wood (7/16"-1/2")	74 3/16"	29 1/2"- 35 7/6"	\$1,993.00
	USO80.2-2100EF	Silent Glam Sliding door kit for wood (7/16"-1/2")	82 11/16"	35 13/16"-39 3/8"	\$2,063.00
	USO80.2-2350EF	Silent Glam Sliding door kit for wood (7/16"-1/2")	92 1/2"	39 3/4"- 44 1/16"	\$2,140.50
	USO80.2-2600EF	Silent Glam Sliding door kit for wood (7/16"-1/2")	102 3/8"	44 1/2"- 49 3/16"	\$2,218.00
NEW	USO81.1-1900EF	Belans Sliding door kit for glass (1 1/2" - 1 3/4")	74 3/16"	29 1/2"- 35 7/6"	\$1,653.00
	USO81.1-2100EF	Belans Sliding door kit for glass (1 1/2" - 1 3/4")	82 11/16"	35 13/16"-39 3/8"	\$1,723.00
	USO81.1-2350EF	Belans Sliding door kit for glass (1 1/2" - 1 3/4")	92 1/2"	39 3/4"- 44 1/16"	\$1,800.50
	USO81.1-2600EF	Belans Sliding door kit for glass (1 1/2" - 1 3/4")	102 3/8"	44 1/2"- 49 3/16"	\$1,858.00
	USO81.2-1900EF	Belans Sliding door kit for wood (1 1/2" - 1 3/4")	74 3/16"	29 1/2"- 35 7/6"	\$1,653.00
	USO81.2-2100EF	Belans Sliding door kit for wood (1 1/2" - 1 3/4")	82 11/16"	35 13/16"-39 3/8"	\$1,723.00
	USO81.2-2350EF	Belans Sliding door kit for wood (1 1/2" - 1 3/4")	92 1/2"	39 3/4"- 44 1/16"	\$1,800.50
	USO81.2-2600EF	Belans Sliding door kit for wood (1 1/2" - 1 3/4")	102 3/8"	44 1/2"- 49 3/16"	\$1,858.00
6	USU44-1800EF	Flatec I Sliding door kit for glass	70 7/8"	29 1/2"- 35 7/6"	\$1,720.00
6	USU44-2100EF	Flatec I Sliding door kit for glass	82 11/16"	35 13/16"-39 3/8"	\$1,758.00
6	USU44-2300EF	Flatec I Sliding door kit for glass	90 9/16"	39 3/4"- 44 1/16"	\$1,784.00
6	USU44-2540EF	Flatec I Sliding door kit for glass	100"	44 1/2"- 49 3/16"	\$1,811.00
7	USU34-1800EF	Unotec Home Sliding door kit for glass	70 7/8"	29 1/2"- 35 7/16"	\$1,733.00
7	USU34-2100EF	Unotec Home Sliding door kit for glass	82 11/16"	35 13/16"- 39 3/8"	\$1,771.00
7	USU34-2300EF	Unotec Home Sliding door kit for glass	90 9/16"	39 3/4"- 44 1/16"	\$1,797.00
7	USU34-2540EF	Unotec Home Sliding door kit for glass	100"	44 1/2"- 49 3/16"	\$1,824.00
8	USU24-1800EF	Unotec Object Sliding door kit for glass	70 7/8"	29 1/2"- 35 7/6"	\$1,948.00
8	USU24-2100EF	Unotec Object Sliding door kit for glass	82 11/16"	35 13/16"-39 3/8"	\$2,001.00
8	USU24-2300EF	Unotec Object Sliding door kit for glass	90 9/16"	39 3/4"- 44 1/16"	\$2,039.00
8	USU24-2540EF	Unotec Object Sliding door kit for glass	100"	44 1/2"- 49 3/16"	\$2,065.00
9	USU74-1800EF	Duetec Sliding door kit for glass	70 7/8"	29 1/2"- 35 7/6"	\$2,092.00
9	USU74-2100EF	Duetec Sliding door kit for glass	82 11/16"	35 13/16"-39 3/8"	\$2,130.00
9	USU74-2300EF	Duetec Sliding door kit for glass	90 9/16"	39 3/4"- 44 1/16"	\$2,156.00
9	USU74-2540EF	Duetec Sliding door kit for glass	100"	44 1/2"- 49 3/16"	\$2,183.00
10	USU64-1800EF	Tritec Sliding door kit for glass	70 7/8"	29 1/2"- 35 7/6"	\$1,948.00
10	USU64-2100EF	Tritec Sliding door kit for glass	82 11/16"	35 13/16"-39 3/8"	\$1,986.00
10	USU64-2300EF	Tritec Sliding door kit for glass	90 9/16"	39 3/4"- 44 1/16"	\$2,012.00
10	USU64-2540EF	Tritec Sliding door kit for glass	100"	44 1/2"- 49 3/16"	\$2,039.00
11	USU90-1800EF	Shield Sliding door kit for glass	70 7/8"	29 1/2"- 35 7/16"	\$2,236.00
11	USU90-2100EF	Shield Sliding door kit for glass	82 11/16"	35 13/16"- 39 3/8"	\$2,286.00
11	USU90-2300EF	Shield Sliding door kit for glass	90 9/16"	39 3/4"- 44 1/16"	\$2,320.00
11	USU90-2540EF	Shield Sliding door kit for glass	100"	44 1/2"- 49 3/16"	\$2,354.00
12	USU46-1800DB	Antra I Sliding door kit for glass	70 7/8"	29 1/2"- 35 7/16"	\$2,408.00
12	USU46-2100DB	Antra I Sliding door kit for glass	82 11/16"	35 13/16"- 39 3/8"	\$2,461,20
12	USU46-2300DB	Antra I Sliding door kit for glass	90 9/16"	39 3/4"- 44 1/16"	\$2,497,60
12	USU46-2540DB	Antra I Sliding door kit for glass	100"	44 1/2"- 49 3/16"	\$2,535,40

Price List Sliding Door Systems

Page	Item-No.	Description	Guide rail length	Passage width	Price
13	USU45-1800EF	Flatec I Sliding door kit for wood	70 7/8"	29 1/2" - 35 7/6"	\$1,721.00
13	USU45-2100EF	Flatec I Sliding door kit for wood	82 11/16"	35 13/16" - 39 3/8"	\$1,759.00
13	USU45-2300EF	Flatec I Sliding door kit for wood	90 9/16"	39 3/4" - 44 1/16"	\$1,785.00
13	USU45-2540EF	Flatec I Sliding door kit for wood	100"	44 1/2" - 49 3/16"	\$1,812.00
14	USU55-1800EF	Flatec II Sliding door kit for wood	70 7/8"	29 1/2" - 35 7/6"	\$1,726.00
14	USU55-2100EF	Flatec II Sliding door kit for wood	82 11/16"	35 13/16" - 39 3/8"	\$1,764.00
14	USU55-2300EF	Flatec II Sliding door kit for wood	90 9/16"	39 3/4" - 44 1/16"	\$1,790.00
14	USU55-2540EF	Flatec II Sliding door kit for wood	100"	44 1/2" - 49 3/16"	\$1,817.00
15	USU35-1800EF	Unotec Home Silding door kit for wood	70 7/8"	29 1/2" - 35 7/6"	\$1,732.00
15	USU35-2100EF	Unotec Home Silding door kit for wood	82 11/16"	35 13/16" - 39 3/8"	\$1,770.00
15	USU35-2300EF	Unotec Home Silding door kit for wood	90 9/16"	39 3/4" - 44 1/16"	\$1,796.00
15	USU35-2540EF	Unotec Home Silding door kit for wood	100"	44 1/2" - 49 3/16"	\$1,823.00
16	USU65-1800EF	Tritec Sliding door kit for wood	70 7/8"	29 1/2" - 35 7/6"	\$1,948.00
16	USU65-2100EF	Tritec Sliding door kit for wood	82 11/16"	35 13/16" - 39 3/8"	\$1,986.00
16	USU65-2300EF	Tritec Sliding door kit for wood	90 9/16"	39 3/4" - 44 1/16"	\$2,012.00
16	USU65-2540EF	Tritec Sliding door kit for wood	100"	44 1/2" - 49 3/16"	\$2,039.00
17	USU91-1800EF	Shield Sliding door kit for wood	70 7/8"	29 1/2" - 35 7/6"	\$2,236.00
17	USU91-2100EF	Shield Sliding door kit for wood	82 11/16"	35 13/16" - 39 3/8"	\$2,286.00
17	USU91-2300EF	Shield Sliding door kit for wood	90 9/16"	39 3/4" - 44 1/16"	\$2,320.00
17	USU91-2540EF	Shield Sliding door kit for wood	100"	44 1/2" - 49 3/16"	\$2,354.00
18	USU92-1800EF	Skater Sliding door kit for wood	70 7/8"	29 1/2" - 35 7/6"	\$2,236.00
18	USU92-2100EF	Skater Sliding door kit for wood	82 11/16"	35 13/16" - 39 3/8"	\$2,286.00
18	USU92-2300EF	Skater Sliding door kit for wood	90 9/16"	39 3/4" - 44 1/16"	\$2,320.00
18	USU92-2540EF	Skater Sliding door kit for wood	100"	44 1/2" - 49 3/16"	\$2,354.00
19	USU47-1800DB	Antra I Sliding door kit for wood	70 7/8"	29 1/2" - 35 7/6"	\$2,409.40
19	USU47-2100DB	Antra I Sliding door kit for wood	82 11/16"	35 13/16" - 39 3/8"	\$2,462.60
19	USU47-2300DB	Antra I Sliding door kit for wood	90 9/16"	39 3/4" - 44 1/16"	\$2,499.00
19	USU47-2540DB	Antra I Sliding door kit for wood	100"	44 1/2" - 49 3/16"	\$2,536.80
20	USU56-1800DB	Antra II Sliding door kit for wood	70 7/8"	29 1/2" - 35 7/6"	\$2,416.40
20	USU56-2100DB	Antra II Sliding door kit for wood	82 11/16"	35 13/16" - 39 3/8"	\$2,469.60
20	USU56-2300DB	Antra II Sliding door kit for wood	90 9/16"	39 3/4" - 44 1/16"	\$2,506.00
20	USU56-2540DB	Antra II Sliding door kit for wood	100"	44 1/2" - 49 3/16"	\$2,543.80
Page	Item-No.	Description	Guide rail length		Price
24	USO200EF	Guide rail Ø 1" up to 118 1/8" in one piece		(\$199.00 per meter)	\$181.90 per 36"
	USO200-1800EF	Guide rail Ø 1"	70 7/8"	(3 x drillings)	\$395.00
	USO200-2100EF	Guide rail Ø 1"	82 11/16"	(4 x drillings)	\$405.00
	USO200-2300EF	Guide rail Ø 1"	90 9/16"	(4 x drillings)	\$425.00
	USO200-2540EF	Guide rail Ø 1"	100"	(4 x drillings)	\$455.00
	USO200-3000EF-US	Guide rail Ø 1"	118 1/8" (with coupling)	(5 x drillings)	\$545.00
	USO200-3658EF	Guide rail Ø 1"	144" (with coupling)	(7 x drillings)	\$880.00
	USO200-4876EF	Guide rail Ø 1"	192" (with coupling)	(9 x drillings)	\$1,088.00
24	USO205EF	Coupling for guide Ø 1" rail USO200EF			\$118.00
24	USU210EF	Wall fixtures (for 5/16" - 18 UNC) for glass doors on masonry			\$128.00
24	USU215EF	Wall fixtures (for 5/16" - 18 UNC) for wood doors on masonry			\$134.00
24	USU212DB	Wall fixtures (for 5/16" - 18 UNC) for glass doors on masonry			\$166.00

Price List Sliding Door Systems

Page	Item-No.	Description	Price
24	USU214DB	Wall fixtures (for 5/16" - 18 UNC) for wood doors on masonry	\$175.00
24	USU212EF	Wall fixtures (for 5/16" - 18 UNC) for glass doors on masonry	\$128.00
24	USU214EF	Wall fixtures (for 5/16" - 18 UNC) for wood doors on masonry	\$134.00
24	USO226-19EF	Spacer Ø 9/16" for glass doors	\$35.60
24	USO226-19DB	Spacer Ø 9/16" for glass doors	\$46.00
24	USO226-33EF	Spacer Ø 9/16" for wood doors	\$38.80
24	USO226-33DB	Spacer Ø 9/16" for wood doors	\$49.00
25	USO216-2EF	Compensation disks Ø 9/16", thickness t= 1/16"	\$7.50
25	USO216-2DB	Compensation disks Ø 9/16", thickness t= 1/16"	\$9.80
25	USO216-5EF	Compensation disks Ø 9/16", thickness t= 3/16"	\$8.50
25	USO216-5DB	Compensation disks Ø 9/16", thickness t= 3/16"	\$11.00
25	USO216-10EF	Compensation disks Ø 9/16", thickness t= 3/8"	\$9.60
25	USO216-10DB	Compensation disks Ø 9/16", thickness t= 3/8"	\$12.50
25	USO240EF	Wall joint, front face	\$175.50
25	USO242EF	Wall fixture, adjustable	\$144.30
25	USO248EF	Ceiling fixture (1x) for single guide rail USO200EF (for glass door)	\$290.00
	USO248EF-H	Ceiling fixture, Additional kit for wood door	\$36.00
26	USO249EF	Ceiling fixture (2x) for double guide rail USO200EF (for glass doors)	\$362.00
26	USO249-H	Ceiling fixture, Additional kit for wood doors	\$72.00
26	USO230G	Glass fastening set for glass doors 5/16"-1/2"	\$129.90
26	USO245-8EF	Glass joint plate for glass surfaces t= 5/16"	\$158.00
26	USO245-10EF	Glass joint plate for glass surfaces t= 3/8"	\$162.00
26	USO245-12EF	Glass joint plate for glass surfaces t= 1/2"	\$170.00
26	Z923	Calliper face spanner	\$26.00
26	Z926	Allen key SW5	\$8.00
27	USO120EF	Trolley, Flatec I for glass doors, t= 5/16"- 1/2"	\$386.00
27	USO121EF	Trolley, Flatec I for wood doors, t up to 1 3/4"	\$386.00
27	USO130EF	Trolley, Flatec II for wood doors, t up to 1 3/4"	\$386.00
27	USH100EF	Trolley, Unotec Home for glass doors, t= 5/16" - 1/2"	\$386.00
27	USH105EF	Trolley, Unotec Home for wood doors, t up to 1 3/4"	\$386.00
28	USO100EF	Trolley, Unotec Object for glass doors, t= 5/16" - 3/8"	\$579.00
28	USO110EF	Trolley, Duetec for glass doors, t= 5/16" - 3/8"	\$476.00
28	USO122EF	Trolley, Tritec for glass doors, t= 5/16" - 1/2"	\$555.00
28	USO123EF	Trolley, Tritec for wood doors, t up to 1 3/4"	\$555.00
29	USO126DB	Trolley, Antra I for glass doors, t= 5/16" - 1/2"	\$502.00
29	USO129DB	Trolley, Antra I for wood doors, t up to 1 3/4"	\$502.00
29	USO131DB	Trolley, Antra II for wood doors, t up to 1 3/4"	\$502.00
29	USO140EF	Trolley, Shield for glass doors, t= 5/16" - 1/2"	\$502.00
29	USO141EF	Trolley, Shield for wood doors, t up to 1 3/4"	\$502.00
30	USO150EF-B	Trolley, Skater (1 pair) for wood doors, t up to 1 3/4"	\$1004.00
30	USO250EF	Door stopper for Unotec Home/ Object, L= 2 1/4"	\$142.00
30	USO251EF	Door stopper for Flatec, Duetec, Tritec, L= 1 3/4"	\$142.00
30	USO252E0	Door stopper for Shield 1 3/8" x 1 3/8" x 2"	\$188.00
30	USO253EF	Door stopper for Skater 3 7/8" x 2 5/16"	\$425.00
31	USO254DB	Door stopper for Antra Ø 1 3/4"	\$184.60
31	USO255EF	Door stopper set, one pair for a double glass door	\$378.00
31	USO257EF	Door stopper set, one pair for a double glass door	\$395.00

Price List Sliding Door Systems

Page	Item-No.	Description	Length	Price
31	USO260EF	Bottom guide for glass door leaf, t= 5/16" - 1/2"		\$105.00
31	USO260DB	Bottom guide for glass door leaf, t= 5/16" - 1/2"		\$137.00
31	USO261EF	Bottom guide for glass door leaf, t= 5/16" - 1/2"		\$105.00
31	USH268K	Bottom guide for wood door leaf, t up to 1 3/4"		\$35.00
NEW	USO213K	Spacers for drywall, 1 replacement kit (1 pcs. 1/2" and 1 pcs. 1/8")	ø 2"	\$32.00
32	USO82-1900EO	Ceiling guide rail Silent Glam (no stoppers)	74 3/16"	\$285.00
32	USO82-2100EO	Ceiling guide rail Silent Glam (no stoppers)	82 11/16"	\$315.00
32	USO82-2350EO	Ceiling guide rail Silent Glam (no stoppers)	92 1/2"	\$352.50
32	USO82-2600EO	Ceiling guide rail Silent Glam (no stoppers)	102 1/2"	\$390.00
32	USO82-3000EO	Ceiling guide rail Silent Glam (no stoppers)	118 1/8"	\$450.00
32	USO82-6000EO	Ceiling guide rail Silent Glam (no stoppers)	236 1/4"	\$610.00
32	USO82EO	Ceiling guide rail Silent Glam (no stoppers), custom length	up to 236 1/4"	\$218.00 per 36"
32	USO82-S	Pair of stoppers for ceiling guide rail Silent Glam		\$112.00
32	USO282-25EO	Mounting bracket for wall fixture, glass door	AL = 1"	\$18.00
32	USO282-45EO	Mounting bracket for wall fixture, wood door	AL = 1 3/4"	\$18.00
32	USO287FS-G	Replacement sets: slide protection for glass doors		\$35.00
32	USO287FS-H	Replacement sets: slide protection for wood doors		\$28.00
32	USO86.1-1900EF	Bottom guide rail Silent Glam (with drilling)	74 3/16"	\$376.00
32	USO86.1-2100EF	Bottom guide rail Silent Glam (with drilling)	82 11/16"	\$415.00
32	USO86.1-2350EF	Bottom guide rail Silent Glam (with drilling)	92 1/2"	\$465.00
32	USO86.1-2600EF	Bottom guide rail Silent Glam (with drilling)	102 3/8"	\$515.00
32	USO86.1-3000EF	Bottom guide rail Silent Glam (with drilling)	118 1/8"	\$554.00
32	USO86.1EF	Bottom guide rail Silent Glam (with drilling), custom length	up to 118 1/8"	\$218.00 per 36"
32	USO86.3EF	Bottom guide rail Silent Glam (with drilling, couple), custom length	longer than 118 1/8"	\$234.00 per 36"
32	USO86-1900EF	Bottom guide rail Silent Glam (no drilling)	74 3/16"	\$326.00
32	USO86-2100EF	Bottom guide rail Silent Glam (no drilling)	82 11/16"	\$365.00
32	USO86-2350EF	Bottom guide rail Silent Glam (no drilling)	92 1/2"	\$415.00
32	USO86-2600EF	Bottom guide rail Silent Glam (no drilling)	102 3/8"	\$465.00
32	USO86-3000EF	Bottom guide rail Silent Glam (no drilling)	118 1/8"	\$544.00
32	USO86EF	Bottom guide rail Silent Glam (no drilling), custom length	up to 118 1/8"	\$182.00 per 36"
32	USO86.2EF	Bottom guide rail Silent Glam (no drilling, couple), custom length	longer than 118 1/8"	\$198.00 per 36"
NEW	USO182EF	1 Pair bottom rollers Belans for glass doors, t=5/16" - 1/2", 2 inlays USO283EF, slide protection, SW2,5	Satin stainless steel (AISI 303)	\$880.00
NEW	USO183EF	1 Pair bottom rollers Belans for wood doors, t=1 1/2" - 1 3/4", 2 inlays USO283EF, slide protection, SW2,5	Satin stainless steel (AISI 303)	\$880.00
33	USO180EF	1 Pair bottom rollers Silent Glam for glass doors, t=5/16" - 1/2", 2 inlays USO283EF, slide protection, SW2,5	Satin stainless steel (AISI 303)	\$1,220.00
NEW	USO181EF	1 Pair bottom rollers Silent Glam for wood doors, t=1 1/2" - 1 3/4", 2 inlays USO283EF, slide protection, SW2,5	Satin stainless steel (AISI 303)	\$1,220.00
33	USO281G003	Decorative outer inlay, glossy white glass (acrylic)		\$29.00
33	USO281G004	Decorative outer inlay, glossy black glass (acrylic)		\$29.00
33	USO280EF	Decorative center inlay, satin stainless steel		\$28.00
33	USO280G003	Decorative center inlay, glossy white glass (acrylic)		\$29.00
33	USO280G004	Decorative center inlay, glossy black glass (acrylic)		\$29.00
36	USO272EF	Flatec 180°-connector		\$159.00
36	USO275L-EF	Flatec 3-hole connector for skylight, plain		\$213.00
36	USO275R-EF	Flatec 3-hole connector for skylight, plain		\$213.00

Price List Door Pulls and Flush Handles

Minimum Orders: A minimum order amount of \$100.00 US net is required. No minimum quantities.
For projects or larger quantities please ask for a quote. Prices in \$ plus packaging; ex works!
Prices effective 05/2012 are subject to change.

Page	Item-No.	Description	Price
36	US0274EF	Flatec 90°-connector (inner angle)	\$196.00
37	US0274EF-AB	Flatec 90°-connector (outer angle)	\$198.00
37	US0273EF	Flatec T-connector (90°-angle)	\$349.00
37	US0270EF	Flatec 90°-connector	\$169.00
38	SI300-25EF-SG	Single door handle Impero Ø 1" for glass doors	\$135.39
38	SI300-25EF-PG	Pair of door handles Impero Ø 1" for glass doors	\$274.82
38	SI400-25EF-SG	Single door handle Impero Ø 1" for glass doors	\$135.39
38	SI400-25EF-PG	Pair of door handles Impero Ø 1" for glass doors	\$282.99
38	SI500-25EF-SG	Single door handle Impero Ø 1" for glass doors	\$141.46
38	SI500-25EF-PG	Pair of door handles Impero Ø 1" for glass doors	\$291.00
38	SI600-25EF-SG	Single door handle Impero Ø 1" for glass doors	\$147.47
38	SI600-25EF-PG	Pair of door handles Impero Ø 1" for glass doors	\$298.33
38	SI900-25EF-SG	Single door handle Impero Ø 1" for glass doors	\$151.56
38	SI900-25EF-PG	Pair of door handles Impero Ø 1" for glass doors	\$306.26
38	SI1200-25EF-SG	Single door handle Impero Ø 1" for glass doors	\$164.66
38	SI1200-25EF-PG	Pair of door handles Impero Ø 1" for glass doors	\$332.47
38	SI300-25EF-SW	Single door handle Impero Ø 1" for wood doors	\$135.39
38	SI300-25EF-PW	Pair of door handles Impero Ø 1" for wood doors	\$274.82
38	SI400-25EF-SW	Single door handle Impero Ø 1" for wood doors	\$135.39
38	SI400-25EF-PW	Pair of door handles Impero Ø 1" for wood doors	\$282.99
38	SI500-25EF-SW	Single door handle Impero Ø 1" for wood doors	\$141.46
38	SI500-25EF-PW	Pair of door handles Impero Ø 1" for wood doors	\$291.00
38	SI600-25EF-SW	Single door handle Impero Ø 1" for wood doors	\$147.47
38	SI600-25EF-PW	Pair of door handles Impero Ø 1" for wood doors	\$298.33
38	SI900-25EF-SW	Single door handle Impero Ø 1" for wood doors	\$151.56
38	SI900-25EF-PW	Pair of door handles Impero Ø 1" for wood doors	\$306.26
38	SI1200-25EF-SW	Single door handle Impero Ø 1" for wood doors	\$164.66
38	SI1200-25EF-PW	Pair of door handles Impero Ø 1" for wood doors	\$332.47
New	SI545-30EF-H014-SG	Single door handle Impero Ø 1 3/16", glass doors	EF, Walnut \$340.00
New	SI545-30EF-H014-PG	Pair of door handles Impero Ø 1 3/16", glass doors	EF, Walnut \$590.00
New	SI545-30EF-H014-SW	Single door handle Impero Ø 1 3/16", wood doors	EF, Walnut \$340.00
New	SI545-30EF-H014-PW	Pair of door handles Impero Ø 1 3/16", wood doors	EF, Walnut \$590.00
New	SI545-30EP-L042-SG	Single door handle Impero Ø 1 3/16", glass doors	EP, black leather \$390.00
New	SI545-30EP-L042-PG	Pair of door handles Impero Ø 1 3/16", glass doors	EP, black leather \$720.00
New	SI545-30EP-L042-SW	Single door handle Impero Ø 1 3/16", wood doors	EP, black leather \$390.00
New	SI545-30EP-L042-PW	Pair of door handles Impero Ø 1 3/16", wood doors	EP, black leather \$720.00
New	SI614-30EP-H013-SG	Single door handle Impero Ø 1 3/16", glass doors	EP, Wenge \$280.00
New	SI614-30EP-H013-PG	Pair of door handles Impero Ø 1 3/16", glass doors	EP, Wenge \$490.00
New	SI614-30EP-H013-SW	Single door handle Impero Ø 1 3/16", wood doors	EP, Wenge \$280.00
New	SI614-30EP-H013-PW	Pair of door handles Impero Ø 1 3/16", wood doors	EP, Wenge \$490.00
38	SG300-20EF-SG	Single door handle Beluga Ø 13/16" for glass doors	\$242.49
38	SG300-20EF-PG	Pair of door handles Beluga Ø 13/16" for glass doors	\$488.39
38	SG400-20EF-SG	Single door handle Beluga Ø 13/16" for glass doors	\$246.53
38	SG400-20EF-PG	Pair of door handles Beluga Ø 13/16" for glass doors	\$496.47
38	SG500-20EF-SG	Single door handle Beluga Ø 13/16" for glass doors	\$250.58
38	SG500-20EF-PG	Pair of door handles Beluga Ø 13/16" for glass doors	\$504.56
38	SG600-20EF-SG	Single door handle Beluga Ø 13/16" for glass doors	\$254.62
38	SG600-20EF-PG	Pair of door handles Beluga Ø 13/16" for glass doors	\$512.64
38	SG900-20EF-SG	Single door handle Beluga Ø 13/16" for glass doors	\$266.00
38	SG900-20EF-PG	Pair of door handles Beluga Ø 13/16" for glass doors	\$536.00

Price List Door Pulls and Flush Handles

Page	Item-No.	Description	Price
38	SG1200-20EF-SG	Single door handle Beluga Ø 13/16" for glass doors	\$278.00
38	SG1200-20EF-PG	Pair of door handles Beluga Ø 13/16" for glass doors	\$557.00
38	SG300-20EF-SW	Single door handle Beluga Ø 13/16" for wood doors	\$242.49
38	SG400-20EF-PW	Pair of door handles Beluga Ø 13/16" for wood doors	\$488.39
38	SG400-20EF-SW	Single door handle Beluga Ø 13/16" for wood doors	\$246.53
38	SG400-20EF-PW	Pair of door handles Beluga Ø 13/16" for wood doors	\$496.47
38	SG500-20EF-SW	Single door handle Beluga Ø 13/16" for wood doors	\$250.58
38	SG500-20EF-PW	Pair of door handles Beluga Ø 13/16" for wood doors	\$504.56
38	SG600-20EF-SW	Single door handle Beluga Ø 13/16" for wood doors	\$254.62
38	SG600-20EF-PW	Pair of door handles Beluga Ø 13/16" for wood doors	\$512.64
38	SG900-20EF-SW	Single door handle Beluga Ø 13/16" for wood doors	\$266.00
38	SG900-20EF-PW	Pair of door handles Beluga Ø 13/16" for wood doors	\$536.00
38	SG1200-20EF-SW	Single door handle Beluga Ø 13/16" for wood doors	\$278.00
38	SG1200-20EF-PW	Pair of door handles Beluga Ø 13/16" for wood doors	\$557.00
39	SN325-25EF-SG	Single door handle Thalís Ø 1" for glass doors 12 13/16"	\$137.00
39	SN625-25EF-SG	Single door handle Thalís Ø 1" for glass doors 24 5/8"	\$269.00
39	SN325-25EF-PG	Pair of door handles Thalís Ø 1" for glass doors 12 13/16"	\$185.00
39	SN625-25EF-PG	Pair of door handles Thalís Ø 1" for glass doors 24 5/8"	\$330.00
39	SN325-25EF-SW	Single door handle Thalís Ø 1" for wood doors 12 13/16"	\$137.00
39	SN625-25EF-SW	Single door handle Thalís Ø 1" for wood doors 24 5/8"	\$269.00
39	SN325-25EF-PW	Single door handle Thalís Ø 1" for wood doors 12 13/16"	\$185.00
39	SN625-25EF-SW	Pair of door handles Thalís Ø 1" for wood doors 24 5/8"	\$330.00
NEW	G050-4AE	Flush Handle Diskus ø 2"	\$30.00
NEW	G060-4EF	Flush Handle Diskus ø 2 3/8"	\$43.00
39	G070-4EF	Flush Handle Diskus for glass doors ø 2 3/4"	\$89.00
39	G090-4EF	Flush Handle Diskus for glass doors ø 3 9/16"	\$109.00
39	G090-4DB	Flush Handle Diskus for glass doors ø 3 9/16"	\$161.00
39	GN75-14EF	Flush Handle Diskus for wood doors ø 2 15/16"	\$94.00
39	GN75-14DB	Flush Handle Diskus for wood doors ø 2 15/16"	\$144.00

Price List Leather Cabinet Hardware

Minimum Orders: A minimum order amount of \$100.00 US net is required. No minimum quantities.

For projects or larger quantities please ask for a quote. Prices in \$ plus packaging; ex works!

Prices effective 05/2012 are subject to change.

Page	Item-No.	Description	Size	c/c	H	Pattern	Color	Price
2	MU128-12EF-L003	Calus - Handle 1/2" x 1/2"	5 1/2"	5 1/16"	circa 1 1/4"	plain	cocoa	\$48.76
2	MU160-12EF-L003	Calus - Handle 1/2" x 1/2"	6 3/4"	6 5/16"	circa 1 1/4"	plain	cocoa	\$53.30
2	MU320-12EF-L003	Calus - Handle 1/2" x 1/2"	13 1/6"	12 5/8"	circa 1 1/4"	plain	cocoa	\$72.58
2	MU480-12EF-L003	Calus - Handle 1/2" x 1/2"	19 3/8"	18 7/8"	circa 1 1/4"	plain	cocoa	\$82.78
2	MU640-12EF-L003	Calus - Handle 1/2" x 1/2"	25 11/16"	25 3/16"	circa 1 1/4"	plain	cocoa	\$95.26
2	MU192-12EF-L005	Calus - Handle - 1/2" x 1/2"	8 1/16"	7 9/16"	circa 1 1/4"	pillow stitch	cognac	\$64.64
2	MV128-20EF-L003	Ciba - Handle 13/16" x 5/16"	5 3/8"	5 1/16"	circa 1 1/4"	plain	cocoa	\$49.00
2	MV128-20EF-L006	Ciba - Handle 13/16" x 5/16"	5 3/8"	5 1/16"	circa 1 1/4"	double stitch	cognac	\$55.57
2	MV160-20EF-L007	Ciba - Handle 13/16" x 5/16"	6 5/8"	6 5/16"	circa 1 1/4"	double stitch	cocoa	\$60.10
2	MV192-20EF-L009	Ciba - Handle 13/16" x 5/16"	7 7/8"	7 9/16"	circa 1 1/4"	x- stitch	cognac	\$65.77
2	PL96-E1-L030	Visconti - Wing Handle	5 11/16"	3 3/4"	7/16"	plain covered	cognac	\$31.75
2	PL96-E1-L031	Visconti - Wing Handle	5 11/16"	3 3/4"	7/16"	plain covered	cocoa	\$31.75
2	PL96-E1-L029	Visconti - Wing Handle	5 11/16"	3 3/4"	7/16"	plain covered	toffee	\$31.75
2	PL96-E1-L032	Visconti - Wing Handle	5 11/16"	3 3/4"	7/16"	plain covered	black	\$31.75
2	MG220-12EF-L018	Ceres - Bar Handle	8 11/16"	6 5/16"	circa 1 5/16"	large ring emboss	cognac	\$47.63
2	MG220-12EF-L019	Ceres - Bar Handle	8 11/16"	6 5/16"	circa 1 5/16"	large ring emboss	cocoa	\$47.63
2	MG284-12EF-L019	Ceres - Bar Handle	11 3/16"	8 13/16"	circa 1 5/16"	large ring emboss	cocoa	\$54.00
3	MG284-12EF-L003	Ceres - Bar handle	11 3/16"	8 13/16"	circa 1 5/16"	plain	cocoa	\$52.16
3	MO96-10EF-L012	Cirrus - C-Shape Handle	4 3/8"	3 3/4"	1 7/16"	double stitch	cocoa	\$29.48
3	MO128-10EF-L012	Cirrus - C-Shape Handle	5 3/4"	5 1/16"	1 7/16"	double stitch	cocoa	\$32.89
3	MS72-8EF-L014	Contur - D-Shape Handle	2 13/16"	2 1/2"	1 1/8"	small ring emboss	cognac	\$22.00
3	MS106-8EF-L014	Contur - D-Shape Handle	4 1/8"	3 3/4"	1 1/8"	small ring emboss	cognac	\$23.81
3	MS138-10EF-L018	Contur - D-Shape Handle	5 7/16"	5 1/16"	1 3/8"	large ring emboss	cognac	\$27.22
3	MS298-10EF-L018	Contur - D-Shape Handle	11 3/4"	11 5/16"	1 3/8"	large ring emboss	cognac	\$48.76
3	MS298-10EF-L019	Contur - D-Shape Handle	11 3/4"	11 5/16"	1 3/8"	large ring emboss	cocoa	\$45.15
3	MB28-L027	Cippus - Wing Handle	1 1/8"	3/8"		single stitch	cognac	\$26.08
3	MB76-L027	Cippus - Wing Handle	3"	2 1/4"		single stitch	cognac	\$37.42
3	MB140-L027	Cippus - Wing Handle	5 1/2"	4 3/4"		single stitch	cognac	\$49.33
3	MB28-L028	Cippus - Wing Handle	1 1/8"	3/8"		single stitch	mocha	\$26.08
3	MB76-L028	Cippus - Wing Handle	3"	2 1/4"		single stitch	mocha	\$37.42
3	MB140-L028	Cippus - Wing Handle	5 1/2"	4 3/4"		single stitch	mocha	\$49.33
4	MC30-L025	Cillo - Handle	1 3/16"	1/2"		plain	mocha	\$30.62
4	MC30-L026	Cillo - Handle	1 3/16"	1/2"		plain	black	\$30.62
4	MD16-L026	Cons - Loop Handle	1 3/4"	Ø 33/64"		plain	black	\$23.10
4	MA126-L023	Campus - Handle system	4 15/16"	3 3/4"		single stitch	black	\$18.14
4	MA158-L023	Campus - Handle system	6 1/4"	5 1/16"		single stitch	black	\$19.28
4	MA190-L023	Campus - Handle system	7 1/2"	6 5/16"		single stitch	black	\$20.41
4	MA126-L021	Campus - Handle system	4 15/16"	3 3/4"		single stitch	cognac	\$18.14
4	MA158-L021	Campus - Handle system	6 1/4"	5 1/16"		single stitch	cognac	\$19.28
4	MA190-L021	Campus - Handle system	7 1/2"	6 5/16"		single stitch	cognac	\$20.41
4	MA126-L022	Campus - Handle system	4 15/16"	3 3/4"		single stitch	mocha	\$18.14
4	MA158-L022	Campus - Handle system	6 1/4"	5 1/16"		single stitch	mocha	\$19.28
4	MA190-L022	Campus - Handle system	7 1/2"	6 5/16"		single stitch	mocha	\$20.41

Page	Item-No.	Description	Surface	Price
4	S105-15EF-2	2 Decorative caps with thread M4, Ø 9 1/16", and 2 screws M4 x 1"	satin stainless steel	\$6.80
4	S105-15EP-2	2 Decorative caps with thread M4, Ø 9 1/16", and 2 screws M4 x 1"	polished stainless steel	\$7.71
4	S105-15KA-2	2 Decorative caps with thread M4, Ø 9 1/16", and 2 screws M4 x 1"	antique coper	\$6.80
4	S105-15MA-2	2 Decorative caps with thread M4, Ø 9 1/16", and 2 screws M4 x 1"	antique brass	\$6.80
4	S105-15SA-2	2 Decorative caps with thread M4, Ø 9 1/16", and 2 screws M4 x 1"	antique silver	\$6.80

Thick Leather Finishes

Code	Pattern	color	Seam	Leather
L021	single stitch	cognac	contrast beige	thick quality
L022	single stitch	mocha	contrast beige	thick quality
L023	single stitch	black	same color	thick quality
L025	plain	mocha		thick quality
L026	plain	black		thick quality
L027	single stitch	cognac	same color	thick quality
L028	single stitch	mocha	same color	thick quality

Metal Finishes

Code	Material/Surface
EF	satin stainless steel
EP	polished stainless steel
KA	antique coper
MA	antique brass
SA	antique silver

Fine Quality Leather Finishes

Code	Pattern	Color	Seam	Leather
L003	plain	cocoa		fine quality
L005	pillow stitch	cognac		fine quality
L006	double stitch	cognac	same color	fine quality
L007	two single stitches	cocoa	contrast beige	fine quality
L009	x-stitch	cognac	same color	fine quality
L012	double stitch	cocoa	contrast beige	fine quality
L014	small ring emboss	cognac		fine quality
L018	large ring emboss	cognac		fine quality
L019	large ring emboss	cocoa		fine quality
L029	completely covered	toffee		fine quality
L030	completely covered	cognac		fine quality
L031	completely covered	cocoa		fine quality
L032	completely covered	black		fine quality

Cleaning and Caring Tips

Dear Customer,

The product you have purchased is constructed of high quality materials which require proper care and cleaning.

Please read the assembly instructions.

For cleaning and caring of our products, please consider the following:

Satin stainless steel:

Wipe after each use with a soft cloth.

Do not use abrasive cleaners, scouring pads or steel wool.

Minor scratches can be removed using a Scotch Brite Pad with a deep cleaning agent (Bon Ami or Zud).

Polished stainless steel:

Clean with a mild detergent and soft cloth/ sponge.

Do not use abrasive, scouring pads (Scotch Brite) or steel wool, chlorine bleach, harsh chemicals or abrasive chemicals.

Ceramic:

Clean with mild liquid non-abrasive detergent.

Avoid abrasive or harsh chemical cleaners or abrasive pads.

Avoid using Soft Scrub type cleaners regularly.

Glass:

Do not pour scalding water into basin or any glass container.

Clean with ammonia-free glass cleaner.

Soap deposits may be removed with warm water.

Wipe dry with soft cloth to avoid water stains.

Leather:

Clean leather surfaces with a fine grade leather cleaner/conditioner as you do with all your fine leather goods.

1. General

This agreement contains the terms and conditions by which Beyerle US LLC (herein called 'Seller') will quote and sell its products (herein called 'Product') to customers (herein called 'Customer'). This agreement supersedes all prior and contemporaneous verbal and written statements of any kind whatsoever made by the parties and their representatives. ANY ACCEPTANCE BY SELLER OF CUSTOMERS PURCHASE ORDER IS EXPRESSLY CONDITIONED ON THE CUSTOMERS ASSENT TO AND ACCEPTANCE OF THE TERMS AND CONDITIONS CONTAINED IN THIS AGREEMENT. In case of a conflict between this agreement and a purchase order issued by Customer the terms of this agreement will prevail.

2. Scope of Products and Orders

The scope of the products are attached to this agreement or separately arranged by Seller to Customer and subject to the conditions of section 1. Orders: All orders submitted by Customer must be in written form acceptable to Seller. A minimum net Product order value, excluding freight charges, may be required for each order. Such a minimum net Product order value will be attached to this agreement, separately identified in the specific price book, or separately arranged by Seller to Customer. In the case an order value does not meet any required minimum Product value, Seller will, at its sole discretion, either increase the quantity of items in the order to meet the minimum net Product value provided herein; apply a minimum order charge; or reject the order entirely. Receipt of an order: Seller will acknowledge receipt of each order issued in accordance with this agreement and will notify Customer whether the order has been accepted or rejected in whole or in part by Seller.

If Seller fails to acknowledge receipt of an order within a reasonable time period, such failure to acknowledge receipt will be deemed a rejection of the entire order. Change to orders: Any changes to orders must be acknowledged by Seller in written form. Seller reserves the right to deny and change orders which have been previously acknowledged by Seller. The time period for making any changes to orders for products will be attached to this agreement; separately identified in the Product price list or separately arranged by Seller to Customer. All changes to orders are subject to a change order charge of 25 % of the net Product value or minimum US-\$ 25 plus the cost of fabrication or raw material that will be needed to be purchased for the change order. Unless otherwise specified by Company in writing, any changes to orders acknowledged by Seller that affect the delivery will be deemed a new order and will require acknowledgement by Seller as provided in this Section 2. Cancellation of orders: All cancellations of orders are subject to Seller's written acknowledgement to be valid. The time period for order cancellations will be attached to this agreement; separately identified in the price book, or separately arranged by Seller to Customer. All cancellations of orders acknowledged by Seller are subject to a cancellation charge of 25 % of the net Product value or minimum US-\$ 25, plus any production costs or the cost of raw materials that have been purchased for the order.

3. Prices and Payment

The prices specified by Seller are subject to change without notice to Seller's price valid at the time of each shipment of products. Additional charges may be applied for product modifications or engineering services. Verbal prices specified by Seller are null and void. Invoices: Seller will submit invoices to Customer stating amounts due. Payment Terms: Except otherwise provided, payment terms are net thirty (30) days from date of Seller's invoices. Payment shall be made in United States dollars. Credit terms: All orders are subject to Seller's credit limit and terms of credit required by Seller or contained in Seller's credit application, which is subject to change by Seller at any time either before or after delivery of any part of the order. Seller reserves the right to request payment of an order and may withhold or stop shipment without any liability to Seller, until payment or assurance of payment is submitted as required by Seller. Default: If Customer is in default in payment or otherwise with respect to any order for products or any other contract with Seller, Seller shall have the right, in addition to all other legal remedies and without prejudice to any of its rights hereunder, to defer further shipments until such default is corrected and to declare all outstanding bills of Customer to be immediately due and payable. Taxes: Any taxes, charges, or duties imposed by any governmental authority on the sale of Products will be paid by Customer, in addition to the selling price specified by Seller. Late payment charges: Late payment charges of one and one half percent (1.5 %) per month (but not in excess of the legal maximum) will be charged on past due balances owed to the Seller.

4. Delivery, Shipment, Freight Charges, Claims and Inspection

Delivery: Product delivery schedules are based upon current production capacities, material or component availability, as well as inventory, and may be changed by Seller as conditions require. In no event will Product delivery dates be construed as falling within the meaning of 'time is of the essence'. Partial deliveries shall be accepted by Customer and paid for the price and on the terms stated herein. Any partial delivery of products shall constitute a separate sale and payment shall be separately made when due. If any part of the Product is not delivered by Seller in accordance with Customer's order, this agreement shall not be affected thereby. Shipment: As long as Customer is located within the continental United States, Product will be sold F.O.B. Origin, Seller's warehouse or factory. If the Customer is located outside the United States, all Product will be sold Incoterms 2010, ex works Seller's factory. In either instance, title and risk of loss will pass to Customer upon transfer to the carrier at Seller's warehouse. Freight Charges: All freight charges will be separately added to the sales agreement, separately identified in the price book or separately arranged by Seller to Customer. Claims: All claims for loss or damage to Product while in the care, custody, and/or control of a carrier will be the sole responsibility of Customer, who will submit any claims to the carrier. Customer is responsible for filing any damage claims with freight carriers and is subject to the rules of the freight regarding the timing and processing of claims. Inspection: Inspection of Product will be done by Customer immediately after receipt of Product.

5. Claims

All claims must be submitted in writing to Seller as follows: All claims for product quantity or incorrect orders must be submitted within three (3) days from the date of delivery. Any shortage claim not made within this period is conclusively deemed waived by Customer.

6. Limited Warranty

Seller's Standard Limited Warranties relating to Product are applicable to this agreement. In the case that certain Product warranties are not attached to this agreement or separately arranged, Seller warrants to Customer only that Products will be free from defects in material and workmanship for a period of 12 months from the date of shipment of the Products. Seller's sole obligation under this warranty is limited to repairing or replacing, at its discretion and choice, the defective Product.

The guarantees of this limited Product warranty do not apply to Product in the following cases: Product

- is used for purposes for which it is not intended or designed
- has been repaired or altered without Seller's prior written consent

- has been subjected to misuse, abuse, negligence, or accident
- has been improperly stored, installed, maintained, or operated
- has been used in violation of written instructions provided by Seller to Customer
- has been subjected to improper temperature, humidity or other unsuitable environmental conditions
- has been affected by normal wear and tear
- which based on Seller's examination, do not disclose to customers satisfaction nonconformance to the warranty.

7. Customers Remedies

THE CUSTOMERS EXCLUSIVE AND SOLE REMEDY ON ACCOUNT OF; OR IN RESPECT OF; THE FURNISHING OF PRODUCTS THAT DO NOT CONFORM TO THIS AGREEMENT WILL BE TO SECURE REPAIR OR REPLACEMENT OF THE PRODUCTS OR TO OBTAIN A REFUND OF THE PRICE PAID FOR THE DEFECTIVE PART, ALL AT SELLER'S OPTION. IN NO CASE WILL THE SELLER'S MAXIMUM LIABILITY EXCEED THE SALES PRICE FOR THE PRODUCTS.

7.1 Limitation of Liability:

IN NO CASE WILL SELLER'S BE LIABLE FOR INCIDENTAL; CONSEQUENTIAL, INDIRECT, SPECIAL, OR PUNITIVE DAMAGES INCLUDING BUT NOT LIMITED TO LOSS OF USE OF THE PRODUCTS, SERVICE INTERRUPTION, LOSS OF PROFITS, LOSS OF REVENUE, INTEREST, LOST GOODWILL, WORK STOPPAGE, IMPAIRMENT OF OTHER GOODS, LOSS FOR REASON OF SHUTDOWN OR NON-OPERATION, INCREASED EXPENSES OF OPERATION, OR CLAIMS OF CUSTOMER'S CUSTOMERS, WHETHER BASED ON CONTRACT, WARRANTY, TORT (INCLUDING BUT NOT LIMITED TO STRICT LIABILITY OR NEGLIGENCE), PATENT INFRINGEMENT OR OTHERWISE, EVEN ADVISED OF THE POSSIBILITY OF SUCH DAMAGES.

7.2 STATUTE OF LIMITATIONS

NO ACTION ARISING OUT OF ANY CLAIMED BREACH OF THIS AGREEMENT BY SELLER MAY BE CLAIMED BY CUSTOMER MORE THAN ONE (1) YEAR AFTER THE CAUSE OF ACTION HAS ARISEN.

8. Defaults or delays

Seller shall not be liable for any default or delay in the production or delivery of all or any goods resulting either directly or indirectly from (1) accidents, breakdowns, or mechanical failure of Seller's plant, machinery or equipment; strikes or other labour trouble, labour shortage, fire, flood, wars, acts of the public enemy, acts of god, delays of suppliers, delays in transportation or lack of transportation facilities, embargos, shortages of, or requested by Federal, state, or local governments, or any subdivision, bureau or agency thereof, or (2) any cause beyond the control of Seller. In no case shall Seller be liable for any consequential, special, or contingent damages arising out of Seller's default or delay in filling Customer's order.

9. Product Returns

Products may not be returned unless Customer receives written authorization from Seller. If returns are authorized by Seller, a Returned Material Authorization (RMA) number must be provided by Seller. Products identified under this RMA must be returned to Seller within thirty (30) days of issuance of the RMA. Such a RMA number and any accompanying RMA documents, the original invoice number, and a written explanation for the return must be included with the returned products in order for Seller to inspect and approve a credit for the return. Only those products which are current, standard, non-obsolete, non customized, unused, in their original condition as at the time of sale by Seller to Customer and are in the original packaging may be considered by Seller for return. In the case Seller approves a return, a credit will be made to Customer's account. Freight charges as well as a handling and reprocessing charge of 25% of the net product value of the original invoice will be deducted.

10. Product Changes

Seller reserves the right to change without notice the design of, or the process of manufacturing, the Products covered by this agreement; provided that the foregoing will not be construed as relieving Seller's obligation to deliver products which conform to the specifications which Seller may have arranged to Customer.

11. Customer's agreement to defend

Customer agrees to defend, protect, and save Seller harmless against all suits at law or in equity and from all cost of suit, legal fees, expenses, damages, claims, and demands arising out of or awarded in connection with any goods: (1) sold or supplied to Customer by Seller that are not maintained and operated in accordance with recommended procedures, or (2) sold or supplied to Customer by Seller to meet Customers specifications.

12. Governing Laws

This agreement and any disputes or controversies arising hereunder will be governed by and construed according to the internal laws of the State of Georgia, United States of America, without regard to its conflict of law principles, and not including the United Nations Convention on Contracts for the International Sales of Goods.

Jurisdiction and venue with respect to any action, proceeding, or suit in connection with this agreement will reside in the courts of the State of Georgia. Customer agrees to pay for all expenses (including attorney's fee) incurred by Seller in enforcing the obligations of Customer under this agreement.

13. Waiver

The right of either party to require strict performance by the other party of any or all terms and conditions of this Agreement shall in no way be affected or impaired by prior waiver, forbearance, or course of dealing.

14. Interpretation

Whenever possible, each provision of this Agreement will be interpreted in such a manner as to be effective and valid under applicable law, this provision will be deemed deleted and the remaining provisions of the Agreement will remain in full force and effect. The subject headings of the sections of this Agreement are included for the purpose of convenience only and will not affect construction or interpretation of any of its provisions.

15. Servability

If any provision of this agreement is held to be invalid, illegal, or unenforceable under any statute, regulation, ordinance, executive order, or other rule of law, this provision will be deemed severed to the extent necessary to comply with such statute, regulation, ordinance, order, or rule. In the case such provision is deemed severed, the parties will negotiate in good faith to arrive at an alternative arrangement approximating the original business objective of the parties. The remaining terms and conditions of this agreement will remain in effect.



Distributed in North America and Canada

1294 Logan Circle NW
Atlanta, GA 30318, USA
Phone: (404) 350-9738
Fax: (404) 355-0166
info@ambaproducts.com
www.ambaproducts.com



www.abp-beyerle.de



Price List 11.2011

Slick
Sliding door systems



Price List Door Pulls and Flush Handles

Minimum Orders: A minimum order amount of \$100.00 US net is required. No minimum quantities.

For projects or larger quantities please ask for a quote. Prices in \$ plus packaging; ex works!

Prices effective 02/2012 are subject to change.

Page	Item-No.	Description	Price
38	SI300-25EF-SG	Single door handle Impero Ø 1" for glass doors	\$135.39
38	SI300-25EF-PG	Pair of door handles Impero Ø 1" for glass doors	\$274.82
38	SI400-25EF-SG	Single door handle Impero Ø 1" for glass doors	\$135.39
38	SI400-25EF-PG	Pair of door handles Impero Ø 1" for glass doors	\$282.99
38	SI500-25EF-SG	Single door handle Impero Ø 1" for glass doors	\$141.46
38	SI500-25EF-PG	Pair of door handles Impero Ø 1" for glass doors	\$291.00
38	SI600-25EF-SG	Single door handle Impero Ø 1" for glass doors	\$147.47
38	SI600-25EF-PG	Pair of door handles Impero Ø 1" for glass doors	\$298.33
38	SI900-25EF-SG	Single door handle Impero Ø 1" for glass doors	\$151.56
38	SI900-25EF-PG	Pair of door handles Impero Ø 1" for glass doors	\$306.26
38	SI1200-25EF-SG	Single door handle Impero Ø 1" for glass doors	\$164.66
38	SI1200-25EF-PG	Pair of door handles Impero Ø 1" for glass doors	\$332.47
38	SI300-25EF-SW	Single door handle Impero Ø 1" for wood doors	\$135.39
38	SI300-25EF-PW	Pair of door handles Impero Ø 1" for wood doors	\$274.82
38	SI400-25EF-SW	Single door handle Impero Ø 1" for wood doors	\$135.39
38	SI400-25EF-PW	Pair of door handles Impero Ø 1" for wood doors	\$282.99
38	SI500-25EF-SW	Single door handle Impero Ø 1" for wood doors	\$141.46
38	SI500-25EF-PW	Pair of door handles Impero Ø 1" for wood doors	\$291.00
38	SI600-25EF-SW	Single door handle Impero Ø 1" for wood doors	\$147.47
38	SI600-25EF-PW	Pair of door handles Impero Ø 1" for wood doors	\$298.33
38	SI900-25EF-SW	Single door handle Impero Ø 1" for wood doors	\$151.56
38	SI900-25EF-PW	Pair of door handles Impero Ø 1" for wood doors	\$306.26
38	SI1200-25EF-SW	Single door handle Impero Ø 1" for wood doors	\$164.66
38	SI1200-25EF-PW	Pair of door handles Impero Ø 1" for wood doors	\$332.47
New	SI545-30EF-H014-SG	Single door handle Impero Ø 1 3/16", glass doors	EF, Walnut \$340.00
New	SI545-30EF-H014-PG	Pair of door handles Impero Ø 1 3/16", glass doors	EF, Walnut \$590.00
New	SI545-30EF-H014-SW	Single door handle Impero Ø 1 3/16", wood doors	EF, Walnut \$340.00
New	SI545-30EF-H014-PW	Pair of door handles Impero Ø 1 3/16", wood doors	EF, Walnut \$590.00
New	SI545-30EP-L042-SG	Single door handle Impero Ø 1 3/16", glass doors	EP, black leather \$390.00
New	SI545-30EP-L042-PG	Pair of door handles Impero Ø 1 3/16", glass doors	EP, black leather \$720.00
New	SI545-30EP-L042-SW	Single door handle Impero Ø 1 3/16", wood doors	EP, black leather \$390.00
New	SI545-30EP-L042-PW	Pair of door handles Impero Ø 1 3/16", wood doors	EP, black leather \$720.00
New	SI614-30EP-H013-SG	Single door handle Impero Ø 1 3/16", glass doors	EP, Wenge \$280.00
New	SI614-30EP-H013-PG	Pair of door handles Impero Ø 1 3/16", glass doors	EP, Wenge \$490.00
New	SI614-30EP-H013-SW	Single door handle Impero Ø 1 3/16", wood doors	EP, Wenge \$280.00
New	SI614-30EP-H013-PW	Pair of door handles Impero Ø 1 3/16", wood doors	EP, Wenge \$490.00
38	SG300-20EF-SG	Single door handle Beluga Ø 13/16" for glass doors	\$242.49
38	SG300-20EF-PG	Pair of door handles Beluga Ø 13/16" for glass doors	\$488.39
38	SG400-20EF-SG	Single door handle Beluga Ø 13/16" for glass doors	\$246.53
38	SG400-20EF-PG	Pair of door handles Beluga Ø 13/16" for glass doors	\$496.47
38	SG500-20EF-SG	Single door handle Beluga Ø 13/16" for glass doors	\$250.58
38	SG500-20EF-PG	Pair of door handles Beluga Ø 13/16" for glass doors	\$504.56
38	SG600-20EF-SG	Single door handle Beluga Ø 13/16" for glass doors	\$254.62
38	SG600-20EF-PG	Pair of door handles Beluga Ø 13/16" for glass doors	\$512.64
38	SG900-20EF-SG	Single door handle Beluga Ø 13/16" for glass doors	\$266.00
38	SG900-20EF-PG	Pair of door handles Beluga Ø 13/16" for glass doors	\$536.00

Price List 05.2012

Locking Pull System : 04



For projects or larger quantities please ask for a quote. Refer to info@ambaproducts.com Prices effective 05/2012 are subject to change. Dimensions in mm are exact - Inches are approximate -Dimensional data not binding. We reserve the right to alter specifications without notice.

Half Height Pull - Bolt Down

Page	Item-No.	Description	Pull	Door size	Length	Ø	Price
4	SIB1422DN-25EF	Turning knob inside, Emergency release outside	single - glass	84"	56"	1"	\$780
4	SIH1422DN-25EF	Turning knob inside, Emergency release outside	single - wood	84"	56"	1"	\$780
4	SIB1422DN-25EF-B	Turning knob inside, Emergency release outside	pair - glass	84"	56"	1"	\$920
4	SIH1422DN-25EF-B	Turning knob inside, Emergency release outside	pair - wood	84"	56"	1"	\$920
5	SIB1422DS-35EF-B	Turning knob inside, Key bolt lock outside**	pair - glass	84"	56"	1 3/8"	\$950
5	SIH1422DS-35EF-B	Turning knob inside, Key bolt lock outside**	pair - wood	84"	56"	1 3/8"	\$950
5	SIB1422SS-35EF-B	Key bolt lock inside, Key bolt lock outside**	pair - glass	84"	56"	1 3/8"	\$990
5	SIH1422SS-35EF-B	Key bolt lock inside, Key bolt lock outside**	pair - wood	84"	56"	1 3/8"	\$990

** Available September 2012

Half Height Pull - Bolt Up

Page	Item-No.	Description	Pull	Door size	Length	Ø	Price
6	SIB1092DN-25EF	Turning knob inside, Emergency release outside	single - glass	*84"	43"	1"	\$780
6	SIH1092DN-25EF	Turning knob inside, Emergency release outside	single - wood	*84"	43"	1"	\$780
6	SIB1092DN-25EF-B	Turning knob inside, Emergency release outside	pair - glass	*84"	43"	1"	\$920
6	SIH-1092DN-25EF-B	Turning knob inside, Emergency release outside	pair - wood	*84"	43"	1"	\$920
7	SIB1092DS-35EF-B	Turning knob inside, Key bolt lock outside**	pair - glass	*84"	43"	1 3/8"	\$950
7	SIH1092DS-35EF-B	Turning knob inside, Key bolt lock outside**	pair - wood	*84"	43"	1 3/8"	\$950
7	SIB1092SS-35EF-B	Key bolt lock inside, Key bolt lock outside**	pair - glass	*84"	43"	1 3/8"	\$990
7	SIH1092SS-35EF-B	Key bolt lock inside, Key bolt lock outside **	pair - wood	*84"	43"	1 3/8"	\$990

* Custom available for door size 96" 108" 120". Please use the form for custom length.

** Available September 2012

Full Height Pull - Bolt Up + Down

Page	Item-No.	Description	Pull	Door size	Length	Ø	Price
8	SIB2082DS-35EF-B	Turning knob inside, Key bolt lock outside	pair - glass	84"	82"	1 3/8"	\$1240
8	SIA-XXDS-35EF-B	Turning knob inside, Key bolt lock outside	pair - glass	*on demand	on demand	1 3/8"	\$1500
8	SIH-2082DS-35EF-B	Turning knob inside, Key bolt lock outside	pair - wood	84"	82"	1 3/8"	\$1240
8	SIH-XXDS-35EF-B	Turning knob inside, Key bolt lock outside	pair - wood	*on demand	on demand	1 3/8"	\$1500
9	SIB2082SS-35EF-B	Key bolt lock inside, Key bolt lock outside**	pair - glass	84"	82"	1 3/8"	\$1290
9	SIA-XXSS-35EF-B	Key bolt lock inside, Key bolt lock outside**	pair - glass	*on demand	on demand	1 3/8"	\$1700
9	SIH2082SS-35EF-B	Key bolt lock inside, Key bolt lock outside**	pair - wood	84"	82"	1 3/8"	\$1290
9	SIH-XXSS-35EF-B	Key bolt lock inside, Key bolt lock outside**	pair - wood	*on demand	on demand	1 3/8"	\$1700

* Custom available for door size 96" 108" 120". Please use the form for custom length.

** Available September 2012

Strikes

Page	Item-No.	Description	Dimensions	Bolt	Depth	price
10	SIB0007MN	Dust Proof Strike for 1/2 Bolt"	Ø 1"	Ø 1/2"	1 5/8"	\$19
10	SIB0006EF	Strike (Additional Plate) for 1/2" Bolt	Length: 2 3/4"	Width: 1 1/4"	Tickness: 1/8"	\$4
10	SIB0004EF	Strike for 7/8" Bolt	Ø 1 3/4"	Ø 7/8"	1 1/4"	\$31
10	SIB0005EF	Dust Proof Strike for 7/8" Bolt	Ø 1 3/4"	Ø 7/8"	1 3/8"	\$38

Distributed in North America/Canada