

Sliding Door Fittings : 02  
Technical Information 05



## Evidence of Performance Hardware for sliding doors as per DIN EN 1527 : 1998

Test Report 215 43216

Translation of Test Report 215 43216 dated  
16 August 2010

Client: **ABP-Beyerle GmbH**  
Im Schollengarten 24b  
  
D-76646 Bruchsal



**Basis**  
DIN EN 1527 : 1998 – Hardware for sliding doors and folding doors – Requirements and test methods

Construction product:	Hardware for sliding doors Flatec 1; Flatec 2; Unotec Home; Tritec; Antra 1; Antra 2
Designation	Antra 2
Item numbers for timber doors	USO45; USO55; USH35; USO65; USO47; USO56
Item numbers for glass doors	USO44; USH34; USO64; USO46;
Track	PEF-US-LS18W
Rollers for timber doors	USO121EF; USO130EF; USH105EF; USO123EF; USO129EF; USO131EF
Rollers for glass doors	USO120EF; USH100EF; USO122EF; USO126EF
Wall connection	USO215EF(timber door) and USO210EF(glass door)
Max. load-bearing capacity	100 kg
Fixing of track supports	M8 stud screw
Installation and assembly	According to installation and assembly instructions of company ABP-Beyerle GmbH

### Representation



**Instructions for use**  
This test report serves to verify the performance of hardware as per DIN EN 1527 : 1998

**Validity**  
The data and results given refer solely to the tested construction products.

**Notes on publication**  
The ift Guidance Sheet "Conditions and Guidance for the Use of ift Test Documents" applies. The cover sheet can be used as an abstract.

**Contents**  
The report comprises a total of 39 pages:  
1 Object  
2 Procedure  
3 Detailed results  
4 Evaluation of test results  
5 Overall assessment  
Annex 1 (26 pages)



The hardware for sliding doors qualifies for the following classification as per DIN EN 1527:1998:

Category of use	Durability	Door mass	Fire resistance	Safety	Corrosion resistance	Security	Application	Initial friction
-/-	6	2	0	-/-	4	-/-	1	3

ift Rosenheim  
9 September 2010

*Christian Kehrer*  
Christian Kehrer, Dipl.-Ing. (FH)  
Head of Testing Department

*A. Spreitzer*  
Alexander Spreitzer  
Product engineer  
Building components

ift PTE Rosenheim GmbH  
ift Zentrum – Türen Take Sicherheit  
Gesellschaft mbH  
Dr. Jochen Peckl

Theodor-Geisel-Str. 7 – 9  
D-83026 Rosenheim  
Tel.: +49 (0)9301/281-0  
Fax: +49 (0)9301/291-220  
www.pte-rosenheim.de

Stitz, 83026 Rosenheim  
AG Traunstein, HRB 14822  
Sparkasse Rosenheim  
Hto. 500 425 805  
BLZ 711 900 00

Notified Body Nr.: 0757  
Anerkannte PUZ-Stelle, BAY 18  
DAP-PL0908 99

Fittings for sliding doors  
in accordance  
with DIN EN 1527 : 1998

The testing institute ift Rosenheim has successfully tested our ABP-Beyerle sliding door systems for glass or wooden doors. The assessment tests apply for the systems Flatec I, Flatec II, Unotec Home, Duetec, Tritec, Antra I, Antra II among others.

Duration of functional ability:  
100,000 cycles

Door mass:  
100 kg, (Duetec 60 kg)

Corrosion resistance:  
240 h salt spray fog test  
in accordance with EN 1670

Initial friction:  
less than or equal to 40 N  
(with a 100 kg door)

## Contents

Base bottom roller	4 - 5	Wall and ceiling fixtures	24 - 26
Sets for glass sliding doors	6 - 12	Mounting on glass	26
Sets for wooden sliding doors	13 - 20	Trolleys	27 - 30
Planning guide (extract)	21 - 23	Door stoppers , Bottom guides	30 - 31
System components for sliding doors	24 - 31	System components for Silent Glam	32 - 33
Guide rails	24	Door handles, flush handles	34 - 35

Model, program, technical modifications, information and errors are excepted. The right to make design or specification changes is reserved at any time.



**ABP**  **beyerle**  
inspiration:quality

home  **jewels**<sup>®</sup>

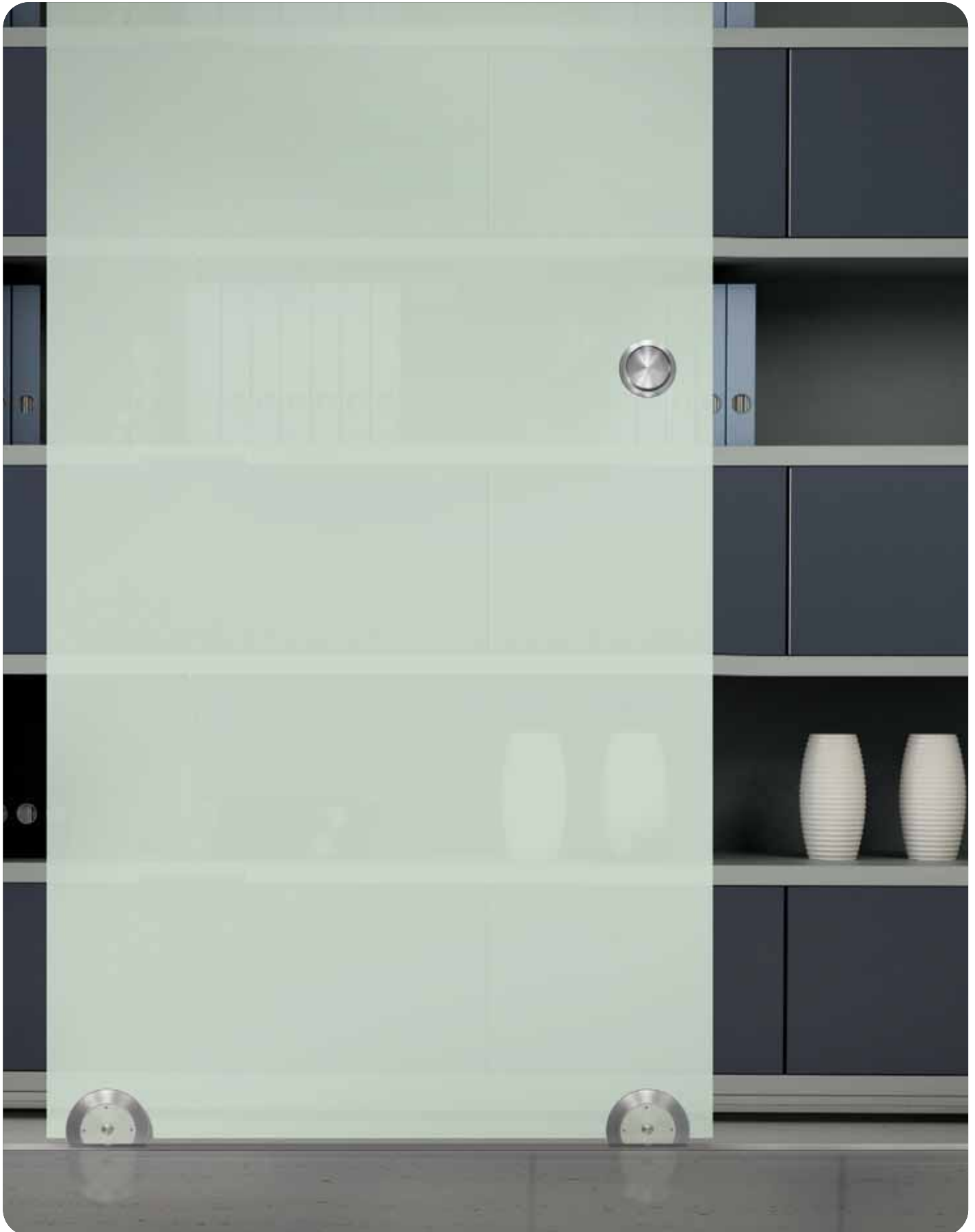
Sliding door systems made from stainless steel

Sliding doors made from glass and wood are fascinating and lend rooms a special flair. Visible technology and high-grade craftsmanship set new accents in room design. All products are characterised by their solid construction, easy use and very quiet movement. There are different designs of sliding door systems for glass and wood doors available to satisfy your designing needs: Flatec I and II, Unotec, Duetec, Tritec, Antra I and II, Shield, Skater and Base bottom roller Silent Glam.

You can choose prefabricated sets or individually plan your sliding door system. We can supply a large selection of fitting door handles and grip shells. Please refer to [www.abp-beyerle.com](http://www.abp-beyerle.com) for new designs and extensive information.

# Base bottom roller

---





## ▨ : Silent Glam I Glass ▨

Complete-sets, standard model  $t = 5/16''-3/8''$  and  $t = 7/16''-1/2''$  consisting of:

- 1 Ceiling guide rail with 2 internal door stoppers, stainless steel USO85EF
- 1 Bottom guide rail, stainless steel, USO86EF  
length: see table
- 2 Base bottom rollers, stainless steel, USO180-10EF or USO 180-12EF
- 1 Allen key (SW2,5), Z927
- 1 Installation instructions

Set numbers $t = 5/16''-3/8''$	Ceiling/bottom rail length inch	Passage width inch
USO80-10-1900EF	74 3/16"	29 1/2" - 35 7/16"
USO80-10-2100EF	82 11/16"	35 13/16" - 39 3/8"
USO80-10-2350EF	82 11/16"	39 3/4" - 44 1/16"
USO80-10-2600EF	102 1/2"	44 1/2" - 49 3/16"

Set numbers $t = 7/16''-1/2''$	Ceiling/bottom rail length inch	Passage width inch
USO80-1900EF	74 3/16"	29 1/2" - 35 7/16"
USO80-2100EF	82 11/16"	35 13/16" - 39 3/8"
USO80-2350EF	82 11/16"	39 3/4" - 44 1/16"
USO80-2600EF	102 1/2"	1130-1250

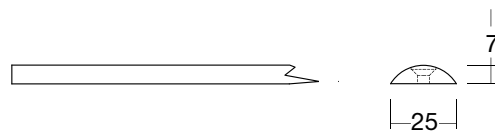
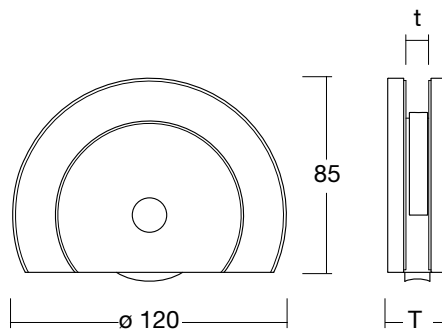
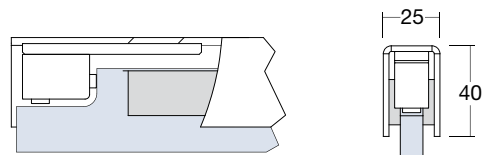
▼ Glass drill holes please have a look at the planning guide

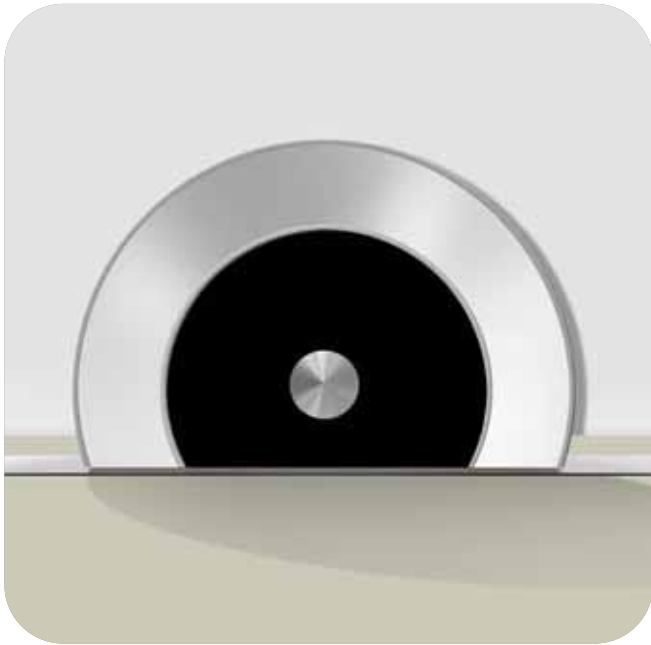
The maximum door weight is 150 kg (330 lbs)

You can find planning guides with drill hole sizes and installation instructions at [www.abp-beyerle-us.com](http://www.abp-beyerle-us.com)

Please note: The floor has to be leveled!

+ For special lengths for ceiling/bottom guide rails, other individual components and accessories, refer to page 32





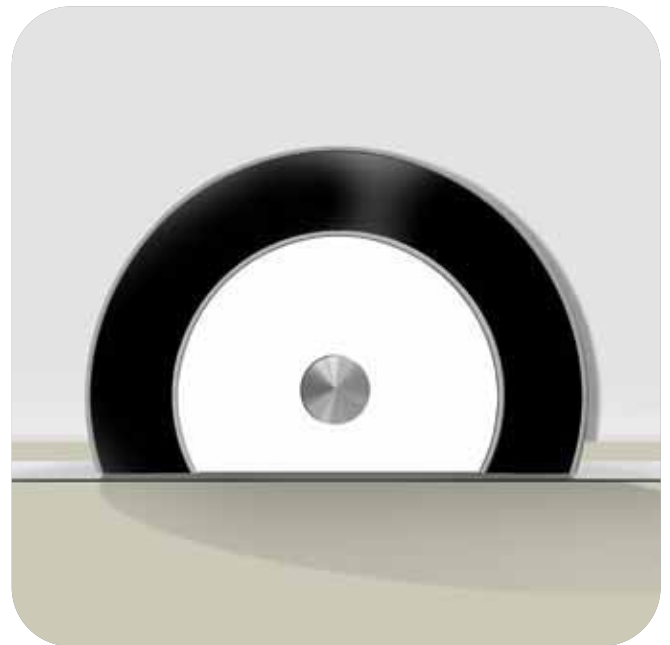
Outer inlay - white glass, USO281G003  
Center inlay - black glass, USO280G004



Base version  
Center inlay - satin stainless steel, USO280EF



Outer inlay - black glass, USO281G004  
Center inlay - satin stainless steel, USO280EF



Outer inlay - black glass, USO281G004  
Center inlay - white glass, USO280G003  
Recommended examples for inlay material  
and colour selections as inlays.

## Silent Glam

“Silent Glam“ - Silent glamour and diversity. As individual as the colour scheme of your rooms. From pure stainless steel to extravagant material concepts.



# Sets for glass doors



## Flatec I Glass

Complete-sets, standard model  $t = 5/16'' - 1/2''$   
height-adjustable approx.  $\pm 1/8''$ , consisting of:

- 1 Guide rail, solid stainless steel,  $\varnothing 1''$ , USO200EF  
length: see table
- 3 - 4 Wall attachments, stainless steel, USO210EF
- 2 Trolleys Flatec I glass, stainless steel, USO120EF
- 2 Door stopper, stainless steel, USO251EF
- 1 Bottom guide, stainless steel, USO260EF
- 1 Special tool for decorative screws, Z923
- 1 Installation instructions

Set numbers	Guide rail length inch	Passage width inch
USU44-1800EF	70 7/8"	29 1/2" - 35 7/16"
USU44-2100EF	82 11/16"	35 13/16" - 39 3/8"
USU44-2300EF	90 9/16"	39 3/4" - 44 1/16"
USU44-2540EF	100"	44 1/2" - 49 3/16"

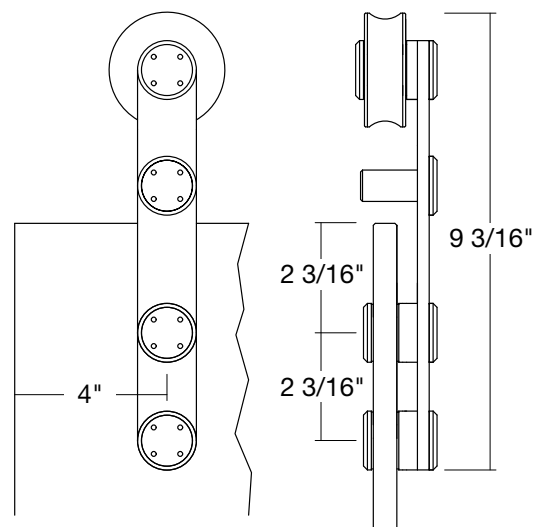
### ▼ Glass drill holes $\varnothing 1/2''$

The maximum door weight is 100 kg (220 lbs)

For baseboards and trimmings, order spacer, (stainless steel, USO226-19EF) separately for each wall attachment, Cf. planning guide or page 21/22

You can find planning guides with drill hole sizes and installation instructions at [www.beyerle-us.com](http://www.beyerle-us.com)

+ For special lengths for guide rails, other individual components and accessories, refer to page 24ff.



/// : Unotec Home | Glass

Complete-sets, standard model  $t = 5/16'' - 1/2''$  consisting of:

- 1 Guide rail, solid stainless steel,  $\varnothing 1''$ , USO200EF  
length: see table
- 3 - 4 Wall attachments, stainless steel, USU210EF
- 2 Trolleys Unotec Home glass, stainless steel, USH100EF
- 2 Door stopper, stainless steel, USO250EF
- 1 Bottom guide, stainless steel, USO260EF
- 1 Special tool for decorative screws, Z923
- 1 Installation instructions

Set numbers	Guide rail length inch	Passage width inch
USU34-1800EF	70 7/8"	29 1/2" - 35 7/16"
USU34-2100EF	82 11/16"	35 13/16" - 39 3/8"
USU34-2300EF	90 9/16"	39 3/4" - 44 1/16"
USU34-2540EF	100"	44 1/2" - 49 3/16"

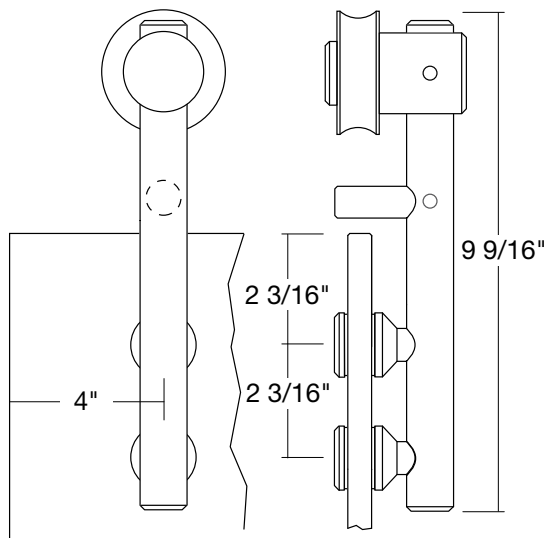
▼ Glass drill holes  $\varnothing 1/2''$

The maximum door weight is 100 kg (220 lbs)

For baseboards and trimmings, order spacer, (stainless steel, USO226-19EF) separately for each wall attachment, Cf. planning guide or page 21/22

You can find planning guides with drill hole sizes and installation instructions at [www.beyerle-us.com](http://www.beyerle-us.com)

- + For special lengths for guide rails, other individual components and accessories, refer to page 24ff.





# Sets for glass doors

## Unotec Objekt | Glass

Complete-sets, standard model  $t = 5/16'' - 1/2''$   
 Height-adjustable approx.  $\pm 5/16''$ , consisting of:

- 1 Guide rail, solid stainless steel,  $\varnothing 1''$ , USO200EF
- Length: see table
- 3 - 4 Wall attachments, stainless steel, USU210EF
- 2 Trolleys Unotec Objekt glass, stainless steel, USO100EF
- 2 Door stopper, stainless steel, USO250EF
- 1 Bottom guide, stainless steel, USO260EF
- 1 Special tool for decorative screws, Z923
- 1 Installation instructions

Set numbers	Guide rail length inch	Passage width inch
USU24-1800EF	70 7/8"	29 1/2" - 35 7/16"
USU24-2100EF	82 11/16"	35 13/16" - 39 3/8"
USU24-2300EF	90 9/16"	39 3/4" - 44 1/16"
USU24-2540EF	100"	44 1/2" - 49 3/16"

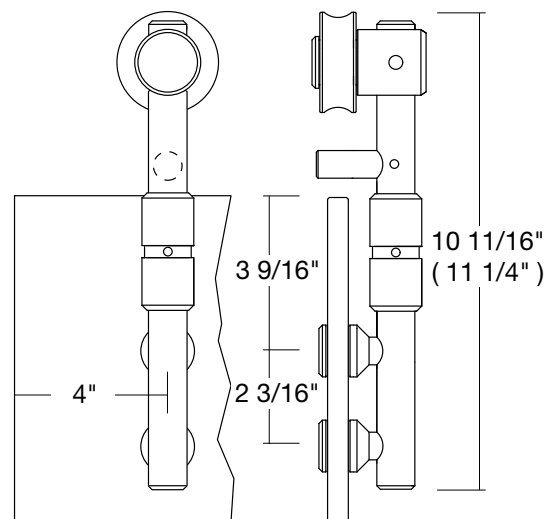
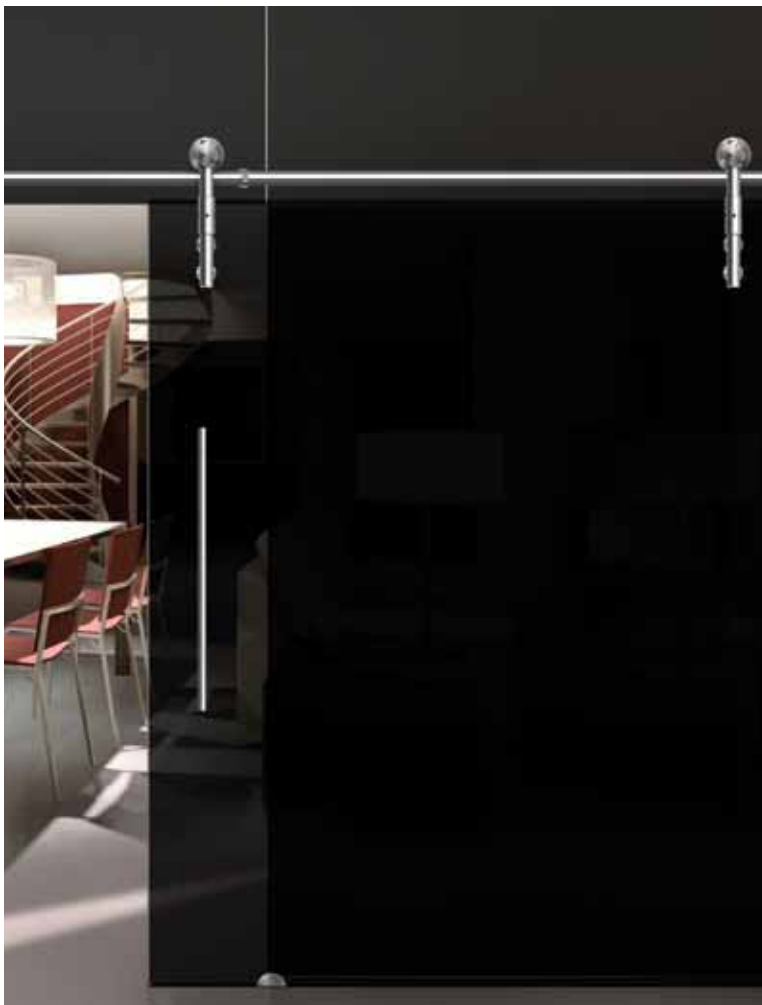
### ▼ Glass drill holes $\varnothing 1/2''$

The maximum door weight is 100 kg (220 lbs)

For baseboards and trimmings, order spacer, (stainless steel, USO226-19EF) separately for each wall attachment, Cf. planning guide or page 21/22

You can find planning guides with drill hole sizes and installation instructions at [www.beyerle-us.com](http://www.beyerle-us.com)

+ For special lengths for guide rails, other individual components and accessories, refer to page 24ff.



/// : Duetec | Glass

Complete-sets, standard model  $t = 5/16'' - 3/8''$   
height-adjustable approx.  $\pm 1/8''$ , consisting of:

- 1 Guide rail, solid stainless steel,  $\varnothing 1''$ , USO200EF  
length: see table
- 3 - 4 Wall attachments, stainless steel, USU210EF
- 2 Trolleys Duetec glass, stainless steel, USO110EF
- 2 Door stopper, stainless steel, USO251EF
- 1 Bottom guide, stainless steel, USO260EF
- 1 Special tool for decorative screws, Z923
- 1 Installation instructions

Set numbers	Guide rail length inch	Passage width inch
USU74-1800EF	70 7/8"	29 1/2" - 35 7/16"
USU74-2100EF	82 11/16"	35 13/16" - 39 3/8"
USU74-2300EF	90 9/16"	39 3/4" - 44 1/16"
USU74-2540EF	100"	44 1/2" - 49 3/16"

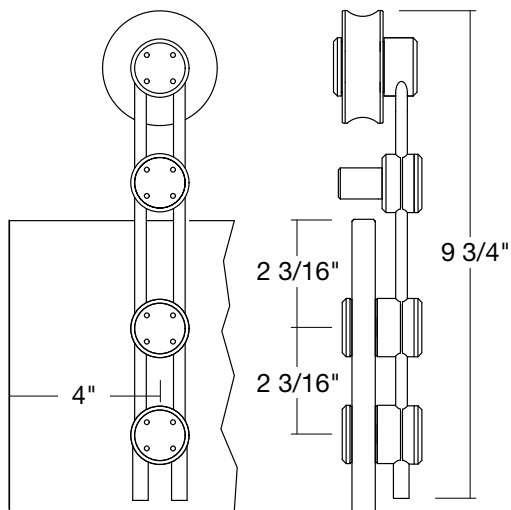
▼ Glass drill holes  $\varnothing 1/2''$

The maximum door weight is 60 kg (132 lbs)

For baseboards and trimmings, order spacer, (stainless steel, USO226-19EF) separately for each wall attachment, Cf. planning guide or page 21/22

You can find planning guides with drill hole sizes and installation instructions at [www.beyerle-us.com](http://www.beyerle-us.com)

- + For special lengths for guide rails, other individual components and accessories, refer to page 24ff.



# Sets for glass doors

## ▨ : Tritec | Glass ▨

Complete-sets, standard model  $t = 5/16'' - 1/2''$   
height-adjustable approx.  $\pm 1/8''$ , consisting of:

- 1 Guide rail, solid stainless steel,  $\varnothing 1''$ , USO200EF  
length: see table
- 3 - 4 Wall attachments, stainless steel, USU210EF
- 2 Trolleys Tritec glass, stainless steel, USO122EF
- 2 Door stopper, stainless steel, USO251EF
- 1 Bottom guide, stainless steel, USO260EF
- 1 Special tool for decorative screws, Z923
- 1 Installation instructions

Set numbers	Guide rail length inch	Passage width inch
USU64-1800EF	70 7/8"	29 1/2" - 35 7/16"
USU64-2100EF	82 11/16"	35 13/16" - 39 3/8"
USU64-2300EF	90 9/16"	39 3/4" - 44 1/16"
USU64-2540EF	100"	44 1/2" - 49 3/16"

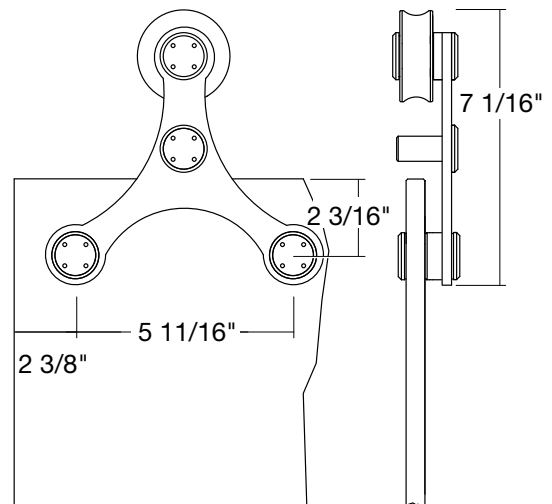
### ▼ Glass drill holes $\varnothing 1/2''$

The maximum door weight is 100 kg (220 lbs)

For baseboards and trimmings, order spacer, (stainless steel, USO226-19EF) separately for each wall attachment, Cf. planning guide or page 21/22

You can find planning guides with drill hole sizes and installation instructions at [www.beyerle-us.com](http://www.beyerle-us.com)

- + For special lengths for guide rails, other individual components and accessories, refer to page 24ff.



Shield | Glass

Complete-sets, standard model dt = 5/16" - 1/2" height-adjustable approx. +/- 1/8", consisting of:

- 1 Guide rail, solid stainless steel,  $\varnothing$  1", USO200EF length: see table
- 3 - 4 Wall attachments, stainless steel, USU212EF,
- 2 Trolleys Shield glass, stainless steel, USO140EF with cover
- 2 Door stopper, stainless steel optic, USO252EO
- 1 Bottom guide, stainless steel, USO261EF
- 1 Allen key (SW5), Z926
- 1 Installation instructions

Set numbers	Guide rail length inch	Passage width inch
USU90-1800EF	70 7/8"	29 1/2" - 35 7/16"
USU90-2100EF	82 11/16"	35 13/16" - 39 3/8"
USU90-2300EF	90 9/16"	39 3/4" - 44 1/16"
USU90-2540EF	100"	44 1/2" - 49 3/16"

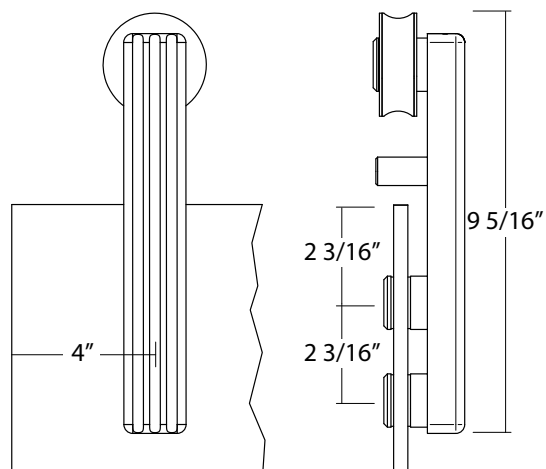
▼ Glass drill holes  $\varnothing$  1/2"

The maximum door weight is 100 kg (220 lbs)

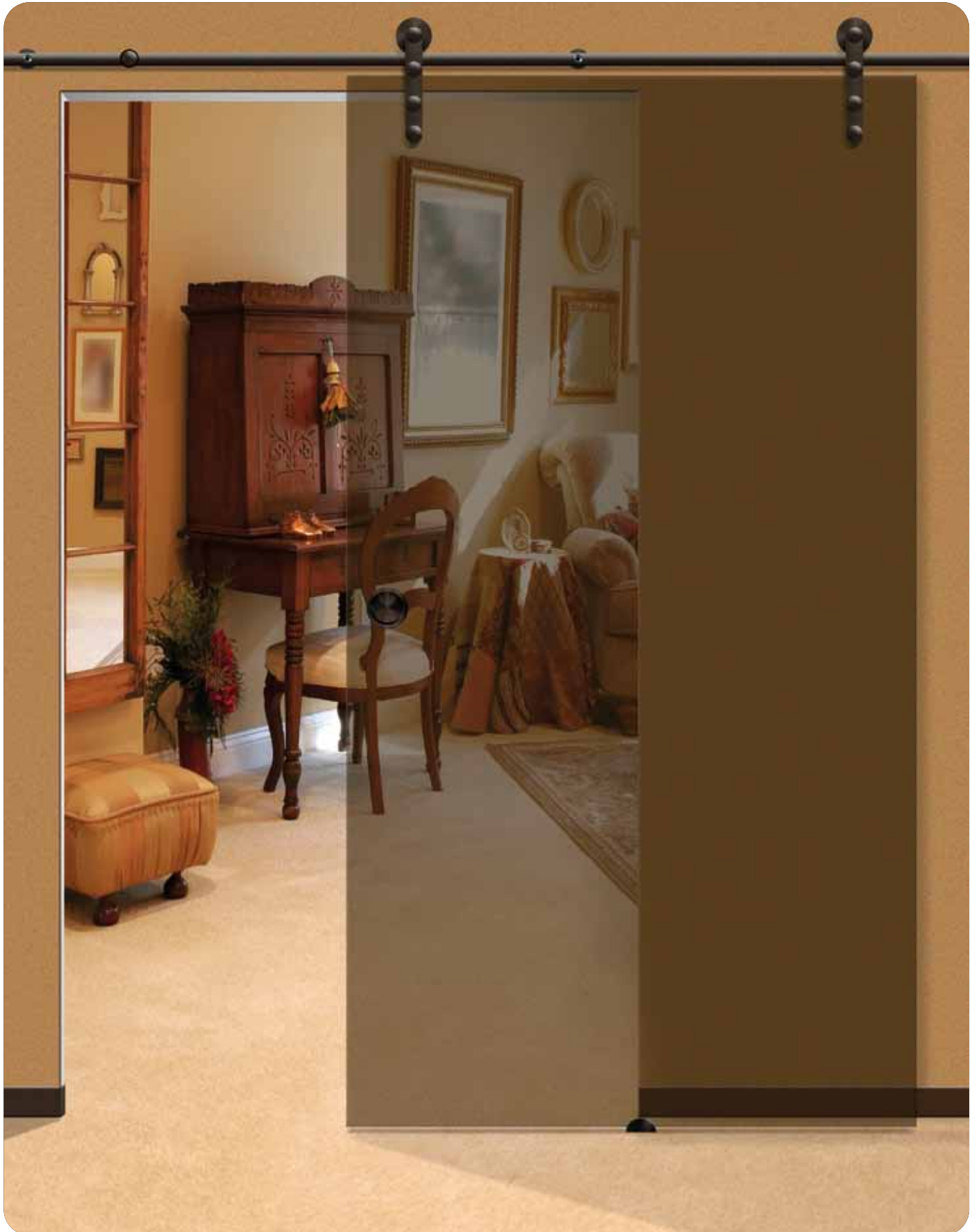
For baseboards and trimmings, order spacer, (stainless steel, USO226-19EF) separately for each wall attachment, Cf. planning guide or page 21/22

You can find planning guides with drill hole sizes and installation instructions at [www.beyerle-us.com](http://www.beyerle-us.com)

- + For special lengths for guide rails, other individual components and accessories, refer to page 24ff.



# Dark Bronze





# Sets for glass doors

## /// Antra | Glass

Complete-sets, standard model  $t = 5/16'' - 1/2''$   
height-adjustable approx.  $\pm 1/8''$ , consisting of:

- 1 Guide rail, stainless steel-dark bronze,  $\varnothing 1''$ , USO200DB  
length: see table
- 3 - 4 Wall attachments, stainless steel-dark bronze, USO212DB
- 2 Trolleys Antra | glass, stainless steel-dark bronze, USO126DB
- 2 Door stopper, stainless steel-dark bronze, USO254DB
- 1 Bottom guide, stainless steel-dark bronze, USO260DB
- 1 Allen key (SW5), Z926
- 1 Installation instructions

Set numbers	Guide rail length inch	Passage width inch
USU46-1800DB	70 7/8"	29 1/2" - 35 7/16"
USU46-2100DB	82 11/16"	35 13/16" - 39 3/8"
USU46-2300DB	90 9/16"	39 3/4" - 44 1/16"
USU46-2540DB	100"	44 1/2" - 49 3/16"

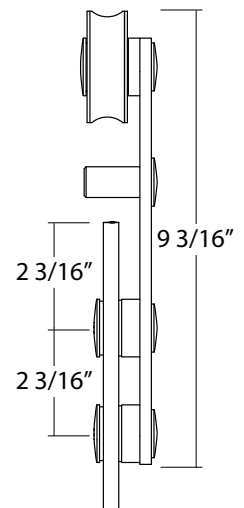
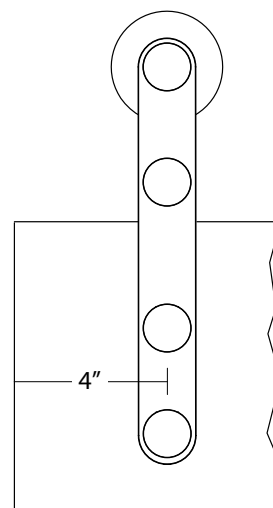
### ▼ Glass drill holes $\varnothing 1/2''$

The maximum door weight is 100 kg (220 lbs)

For baseboards and trimmings, order spacer, (stainless steel-dark bronze, USO226-19DB) separately for each wall attachment, Cf. planning guide or 21/22

You can find planning guides with drill hole sizes and installation instructions at [www.beyerle-us.com](http://www.beyerle-us.com)

- + For special lengths for guide rails, other individual components and accessories, refer to page 24ff.





# Flatec I





# Sets for wooden doors

## Flatec II | Wood

Complete-sets, standard model  $t = 1 \frac{7}{16}'' - 1 \frac{3}{4}''$  consisting of:

- 1 Guide rail, solid stainless steel,  $\varnothing 1''$ , USO200EF  
length: see table
- 3 - 4 Wall attachments, stainless steel, USO215EF
- 2 Trolleys Flatec II wood, stainless steel, USO130EF
- 2 Door stopper, stainless steel, USO251EF
- 1 Bottom guide, plastic, USH268K
- 1 Special tool for decorative screws, Z923
- 1 Installation instructions

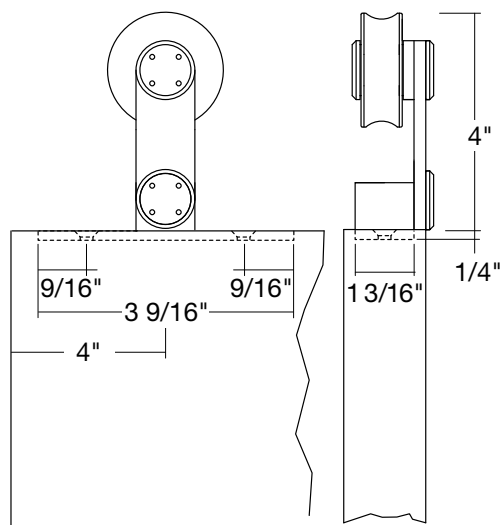
Set numbers	Guide rail length inch	Passage width inch
USU55-1800EF	70 $\frac{7}{8}''$	29 $\frac{1}{2}'' - 35 \frac{7}{16}''$
USU55-2100EF	82 $\frac{11}{16}''$	35 $\frac{13}{16}'' - 39 \frac{3}{8}''$
USU55-2300EF	90 $\frac{9}{16}''$	39 $\frac{3}{4}'' - 44 \frac{1}{16}''$
USU55-2540EF	100''	44 $\frac{1}{2}'' - 49 \frac{3}{16}''$

▼ The maximum door weight is 100 kg (220 lbs)

For baseboards and trimmings, order spacer, (stainless steel, USO226-33EF) separately for each wall attachment, Cf. planning guide or page 21/22

You can find planning guides with drill hole sizes and installation instructions at [www.beyerle-us.com](http://www.beyerle-us.com)

+ For special lengths for guide rails, other individual components and accessories, refer to page 24ff.



# Unotec Home

---



/// : Unotec Home | Wood

Complete-sets, standard model t up to 1 3/4"  
 Consisting of:

- 1 Guide rail, solid stainless steel, ø 1", USO200EF  
 length: see table
- 3 - 4 Wall attachments, stainless steel, USU215EF
- 2 Trolleys Unotec Home wood, stainless steel, USH105EF
- 2 Door stopper, stainless steel, USO250EF
- 1 Bottom guide, plastic, USH268K
- 1 Special tool for decorative screws, Z923
- 1 Installation instructions

Set numbers	Guide rail length inch	Passage width inch
USU35-1800EF	70 7/8"	29 1/2" - 35 7/16"
USU35-2100EF	82 11/16"	35 13/16" - 39 3/8"
USU35-2300EF	90 9/16"	39 3/4" - 44 1/16"
USU35-2540EF	100"	44 1/2" - 49 3/16"

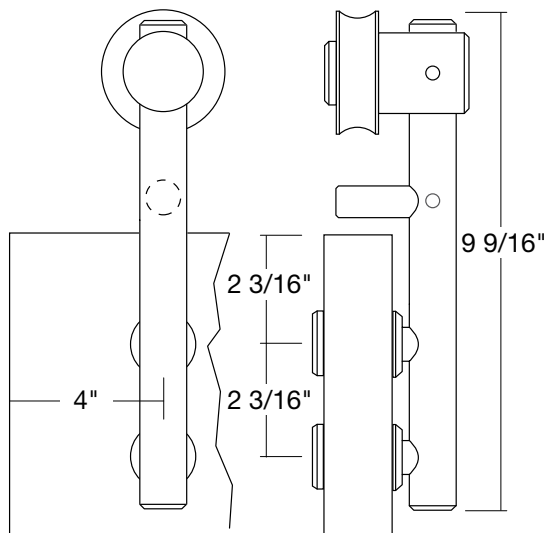
▼ Wood drill holes ø 3/8"

The maximum door weight is 100 kg (220 lbs)

For baseboards and trimmings, order spacer, (stainless steel, USO226-33EF) separately for each wall attachment, Cf. planning guide or page 21/22

You can find planning guides with drill hole sizes and installation instructions at [www.beyerle-us.com](http://www.beyerle-us.com)

- + For special lengths for guide rails, other individual components and accessories, refer to page 24ff.



# Tritec





# Sets for wooden doors

## Tritec | Wood

Complete-sets, standard model t up to 1 3/4" height-adjustable approx. +/- 1/8", consisting of:

- 1 Guide rail, solid stainless steel,  $\varnothing$  1", USO200EF  
length: see table
- 3 - 4 Wall attachments, stainless steel, USU215EF
- 2 Trolleys Tritec wood, stainless steel, USO123EF
- 2 Door stopper, stainless steel, USO251EF
- 1 Bottom guide, stainless steel, USH268K
- 1 Special tool for decorative screws, Z923
- 1 Installation instructions

Set numbers	Guide rail length inch	Passage width inch
USU65-1800EF	70 7/8"	29 1/2" - 35 7/16"
USU65-2100EF	82 11/16"	35 13/16" - 39 3/8"
USU65-2300EF	90 9/16"	39 3/4" - 44 1/16"
USU65-2540EF	100"	44 1/2" - 49 3/16"

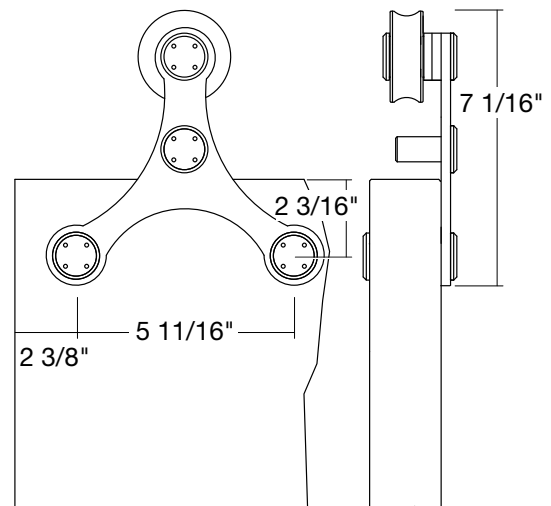
### ▼ Wood drill holes $\varnothing$ 3/8"

The maximum door weight is 100 kg (220 lbs)

For baseboards and trimmings, order spacer, (stainless steel, USO226-33EF) separately for each wall attachment, Cf. planning guide or page 21/22

You can find planning guides with drill hole sizes and installation instructions at [www.beyerle-us.com](http://www.beyerle-us.com)

- + For special lengths for guide rails, other individual components and accessories, refer to page 24ff.



Shield | Wood

Complete-sets, standard model t up to 1 3/4" height-adjustable approx. +/- 1/8", consisting of:

- 1 Guide rail, solid stainless steel, ø 1", USO200EF length: see table
- 3 - 4 Wall attachments, stainless steel, USU214EF
- 2 Trolleys Shield wood, stainless steel, USO141EF
- 2 Door stopper, stainless steel optic, USO252EO
- 1 Bottom guide, plastic, USH268K
- 1 Allen key (SW5), Z926
- 1 Installation instructions

Set numbers	Guide rail length inch	Passage width inch
USU91-1800EF	70 7/8"	29 1/2" - 35 7/16"
USU91-2100EF	82 11/16"	35 13/16" - 39 3/8"
USU91-2300EF	90 9/16"	39 3/4" - 44 1/16"
USU91-2540EF	100"	44 1/2" - 49 3/16"

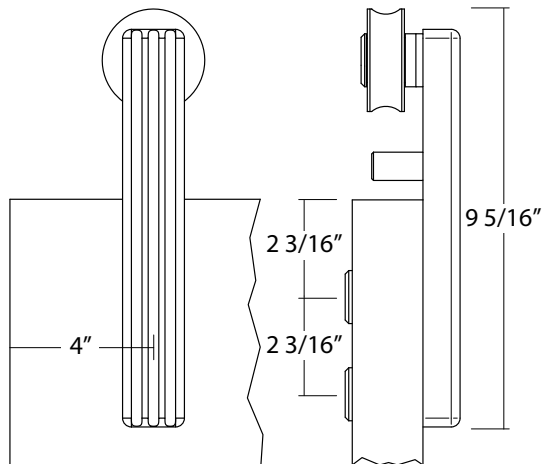
▼ Wood drill holes ø 3/8"

The maximum door weight is 100 kg (220 lbs)

For baseboards and trimmings, order spacer, (stainless steel, USO226-33EF) separately for each wall attachment, Cf. planning guide or page 21/22

You can find planning guides with drill hole sizes and installation instructions at [www.beyerle-us.com](http://www.beyerle-us.com)

+ For special lengths for guide rails, other individual componets and accessories, refer to page 24ff.



## Skater | Wood

Complete-sets, standard model t up to 1 3/4" consisting of:

- 1 Guide rail, solid stainless steel, ø 1", USO200EF length: see table
- 3 - 4 Wall attachments, stainless steel, USU214EF
- 1 Pair of trolleys Skater wood, stainless steel, USO150EF-B
- 2 Door stopper, stainless steel, USO253EF
- 1 Bottom guide, plastic, USH268K
- 1 Allen key (SW5), Z926
- 1 Installation instructions

Set numbers	Guide rail length inch	Passage width inch
USU92-1800EF	70 7/8"	29 1/2" - 35 7/16"
USU92-2100EF	82 11/16"	35 13/16" - 39 3/8"
USU92-2300EF	90 9/16"	39 3/4" - 44 1/16"
USU92-2540EF	100"	44 1/2" - 49 3/16"

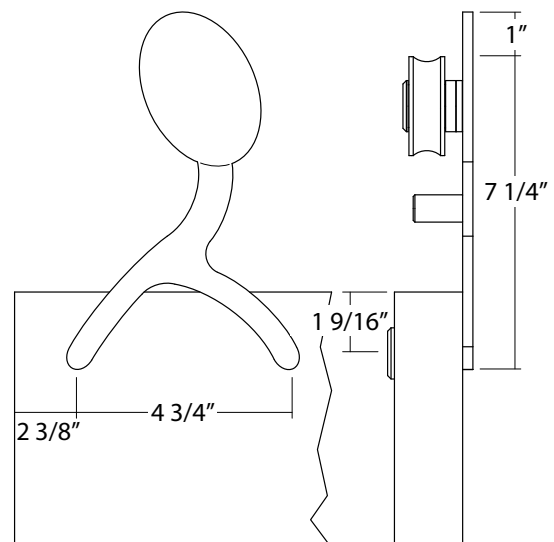
### ▼ Wood drill holes ø 3/8"

The maximum door weight is 100 kg (220 lbs)

For baseboards and trimmings, order spacer, (stainless steel, USO226-33EF) separately for each wall attachment, Cf. planning guide or page 21/22

You can find planning guides with drill hole sizes and installation instructions at [www.beyerle-us.com](http://www.beyerle-us.com)

+ For special lengths for guide rails, other individual components and accessories, refer to page 24ff.



**: Antra I | Wood**

Complete-sets, standard model t up to 1 3/4"  
height-adjustable approx. +/- 1/8", consisting of:

- 1 Guide rail, stainless steel-dark bronze, Ø 1", USO200DB  
length: see table
- 3 - 4 Wall attachments, stainless steel-dark bronze, USU214DB
- 2 Trolleys Antra I wood, stainless steel-dark bronze, USO129DB
- 2 Door stopper, stainless steel-dark bronze, USO254DB
- 1 Bottom guide, plastic, USH268K
- 1 Allen key (SW5), Z926
- 1 Installation instructions

Set numbers	Guide rail length inch	Passage width inch
USU47-1800DB	70 7/8"	29 1/2" - 35 7/16"
USU47-2100DB	82 11/16"	35 13/16" - 39 3/8"
USU47-2300DB	90 9/16"	39 3/4" - 44 1/16"
USU47-2540DB	100"	44 1/2" - 49 3/16"

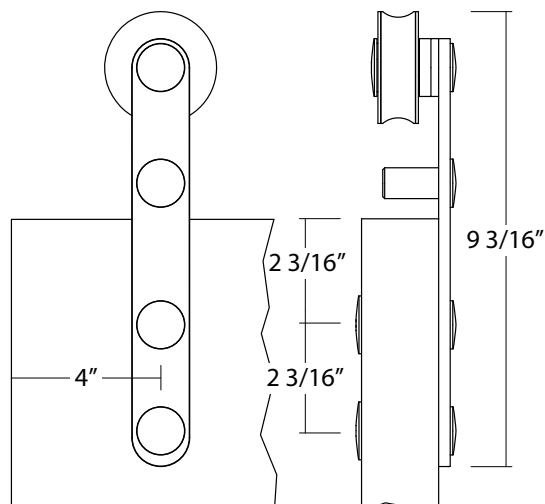
▼ Wood drill holes Ø 3/8"

The maximum door weight is 100 kg (220 lbs)

For baseboards and trimmings, order spacer, (stainless steel-dark bronze, USO226-33DB) separately for each wall attachment, Cf. planning guide or page 21/22

You can find planning guides with drill hole sizes and installation instructions at [www.beyerle-us.com](http://www.beyerle-us.com)

- + For special lengths for guide rails, other individual components and accessories, refer to page 24ff.



# Sets for wooden doors

## ▨ : Antra II | Wood ▨

Complete-sets, standard model  $t = 1 \frac{7}{16}'' - 1 \frac{3}{4}''$   
consisting of:

- 1 Guide rail, stainless steel-dark bronze,  $\varnothing 1''$ , USO200DB
- length: see table
- 3 - 4 Wall attachments, stainless steel-dark bronze, USU214DB
- 2 Trolleys Antra II wood, stainless steel-dark bronze, USO131DB
- 2 Door stopper, stainless steel-dark bronze, USO254DB
- 1 Bottom guide, plastic, USH268K
- 1 Allen key (SW5), Z926
- 1 Installation instructions

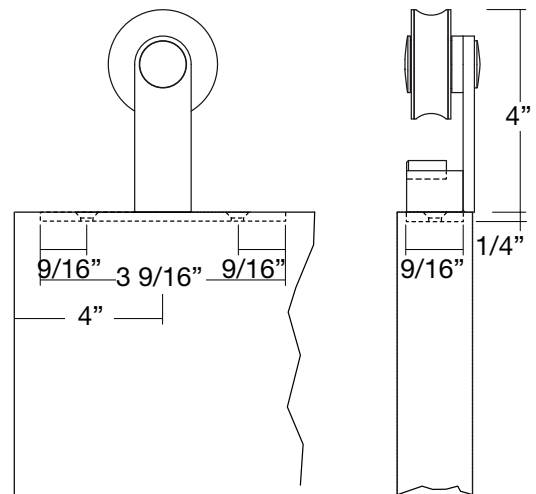
Set numbers	Guide rail length inch	Passage width inch
USU56-1800DB	70 $\frac{7}{8}''$	29 $\frac{1}{2}'' - 35 \frac{7}{16}''$
USU56-2100DB	82 $\frac{11}{16}''$	35 $\frac{13}{16}'' - 39 \frac{3}{8}''$
USU56-2300DB	90 $\frac{9}{16}''$	39 $\frac{3}{4}'' - 44 \frac{1}{16}''$
USU56-2540DB	100''	44 $\frac{1}{2}'' - 49 \frac{3}{16}''$

▼ The maximum door weight is 100 kg (220 lbs)

For baseboards and trimmings, order spacer,  
separately for each wall attachment,  
Cf. planning guide or page 21/22

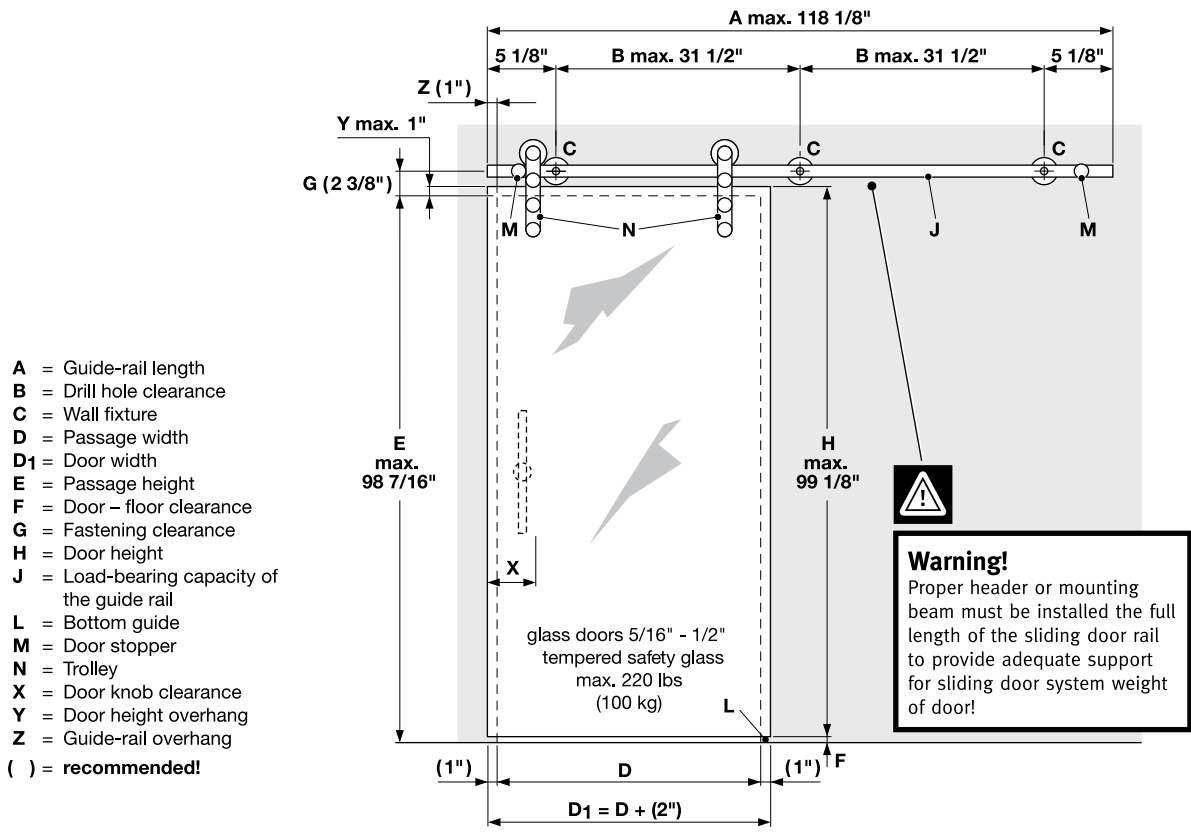
You can find planning guides with drill hole sizes and  
installation instructions at [www.beyerle-us.com](http://www.beyerle-us.com)

+ For special lengths for guide rails, other individual  
components and accessories, refer to page 24ff.



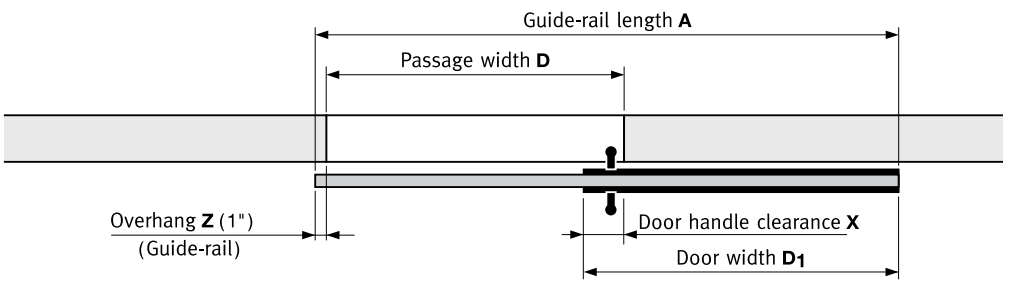
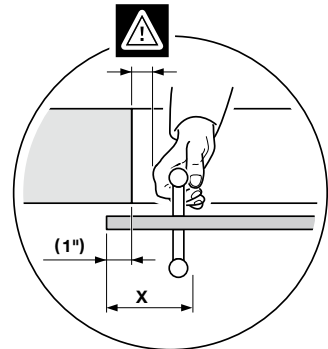
▼ We have complete sets as well as single system components available for you to make your individual designs and plans using our sliding door systems. Please go to [www.beyerle-us.com](http://www.beyerle-us.com) to find the planning and assembly instructions for all systems. On the following pages, please have a look at some extracts presented as examples.

Manufacturing dimensions (special model)										kg		
inches		Each	inches					H	Load-bearing capacity of the guide rail J	Each		
A	B	C	D	D1	E max. 98 7/16"	F 1/4" - 3/8"	G (2 3/8")	(H = E - F + Y)		L	M	N
										1	2	2



- A = Guide-rail length
  - B = Drill hole clearance
  - C = Wall fixture
  - D = Passage width
  - D1 = Door width
  - E = Passage height
  - F = Door - floor clearance
  - G = Fastening clearance
  - H = Door height
  - J = Load-bearing capacity of the guide rail
  - L = Bottom guide
  - M = Door stopper
  - N = Trolley
  - X = Door knob clearance
  - Y = Door height overhang
  - Z = Guide-rail overhang
- ( ) = recommended!

**Calculation for guide-rail length A**

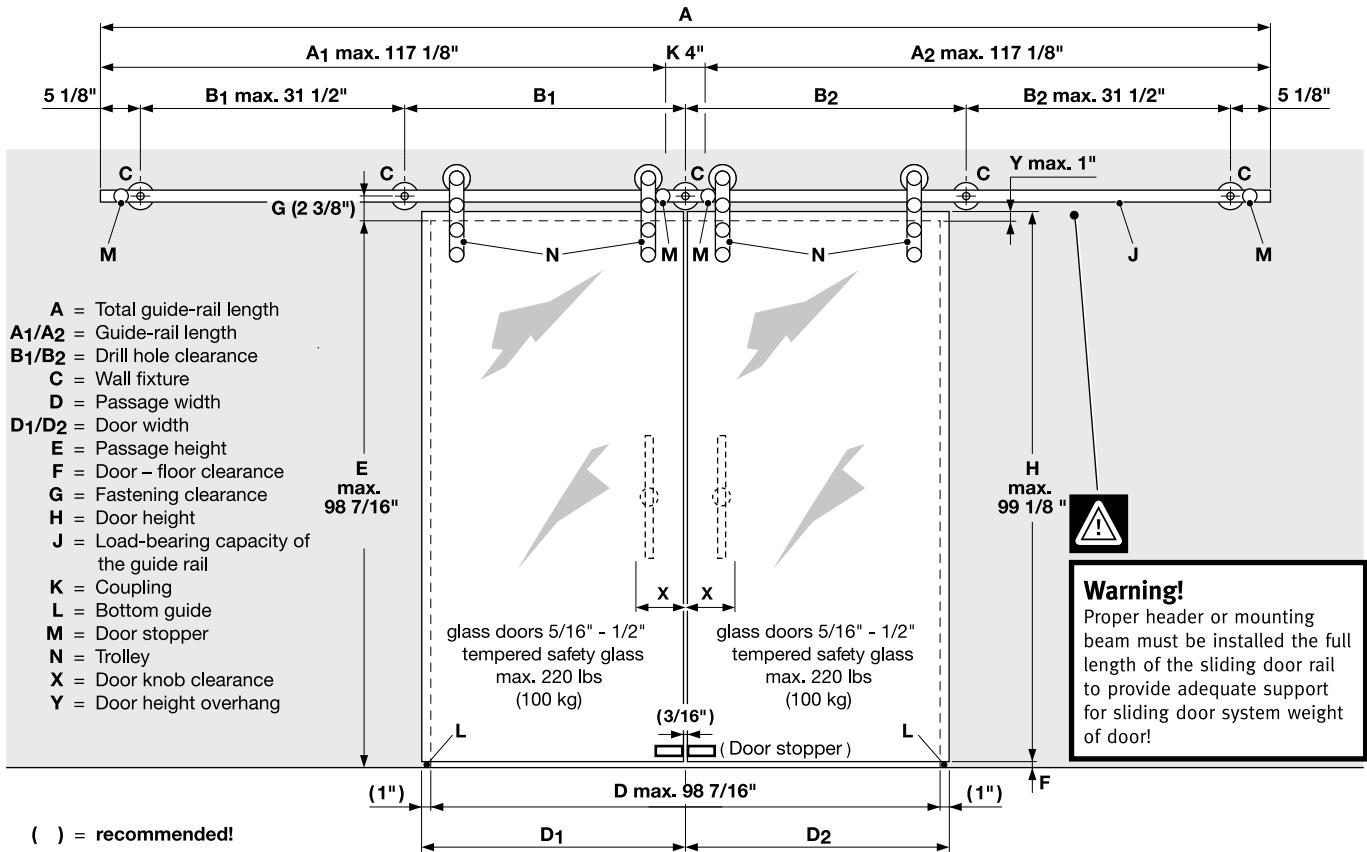


**Overhang Z + Passage width D + Door width D1 - Door handle clearance X = Guide-rail length A**

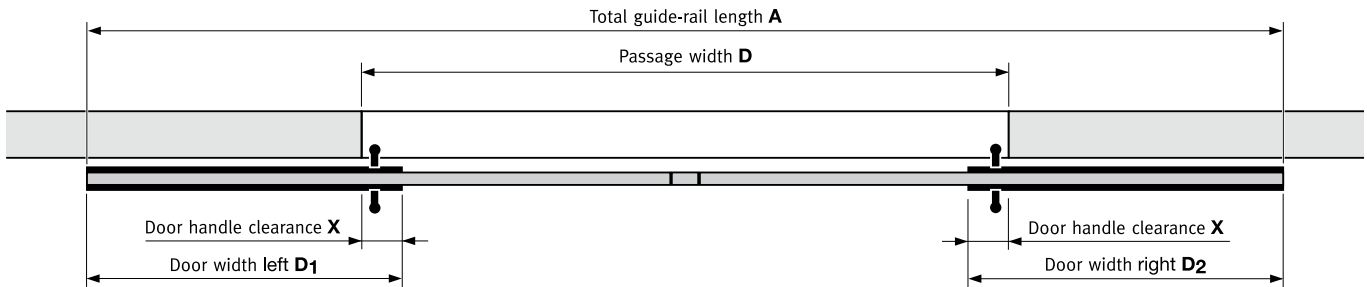
**Make door handle clearance so that fingers do not get pinched when door is used.**



Manufacturing dimensions (special model)															
inches		Each		inches						kg	Each				
A	B1	B2	C	D	D1	D2	E max. 98 7/16"	F 1/4" - 3/8"	G	H max. 99 1/8" (H = E - F + Y)	Load-bearing capacity of the guide rail J	K	L	M	N
									(2 3/8")			1	2	4	4



### Calculation for total guide-rail length A



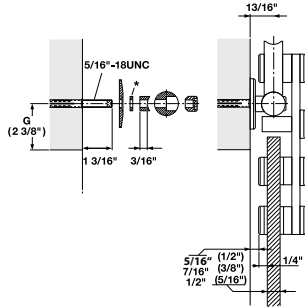
Door width  $D_1$  - Door handle clearance  $X$  + Passage width  $D$  + Door width  $D_2$  - Door handle clearance  $X$  = Total guide-rail length  $A$

Make door handle clearance so that fingers do not get pinched when door is used.

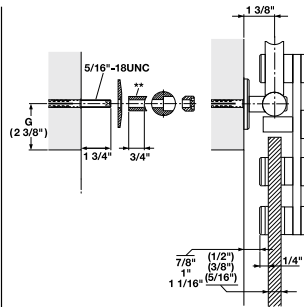
# Sliding door fittings **Flatec I**

for glass doors (  $5/16''$  -  $1/2''$  thickness ) – Wall fixture

## Standard installation



## Installation with baseboards and trim



**Compensation discs \*  $1/16''$ ,  $3/16''$  and  $3/8''$**   
 To compensate for wall unevenness,  
 order separately.  
 ( Only 1 piece per wall fixture! )

Art.-No.	inches
USO216-2EF	$1/16''$
USO216-5EF	$3/16''$
USO216-10EF	$3/8''$

**Spacers \*\*** order separately.

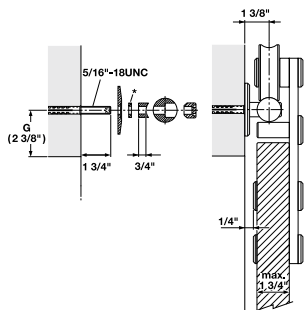
Art.-No.
USO226-19EF

Right to make technical changes reserved - Dimensions in inches - Version 04.2008  
 © by ABP-Beyerle GmbH

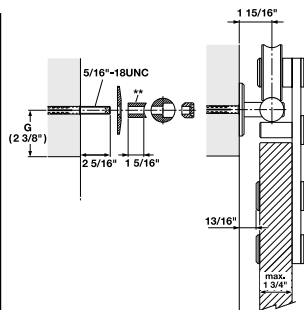
# Sliding door fittings **Flatec I**

for wooden doors ( max.  $1\ 3/4''$  thickness ) – Wall fixture

## Standard installation



## Installation with baseboards and trim



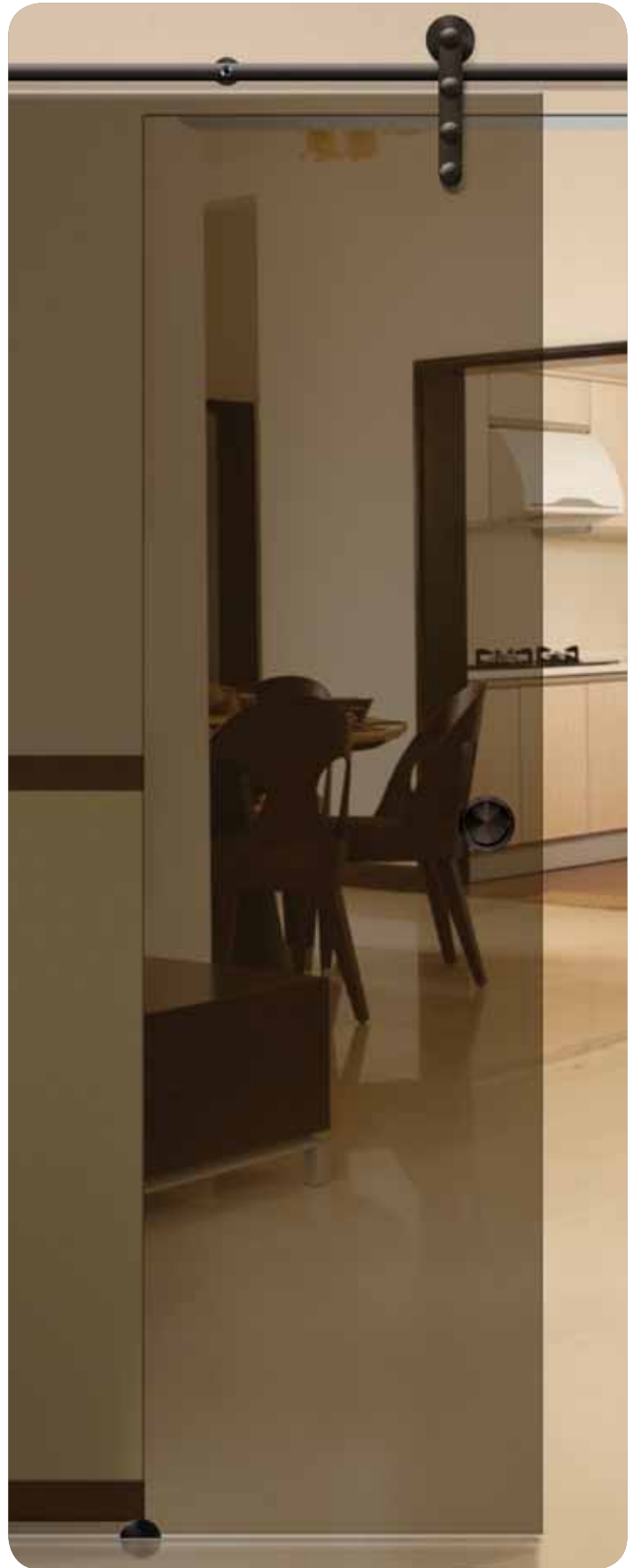
**Compensation discs \*  $1/16''$ ,  $3/16''$  and  $3/8''$**   
 To compensate for wall unevenness,  
 order separately.  
 ( Only 1 piece per wall fixture! )

Art.-No.	inches
USO216-2EF	$1/16''$
USO216-5EF	$3/16''$
USO216-10EF	$3/8''$

**Spacers \*\*** order separately.

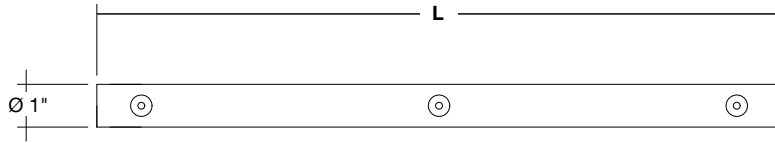
Art.-No.
USO226-33EF

Right to make technical changes reserved - Dimensions in inches - Version 04.2008  
 © by ABP-Beyerle GmbH

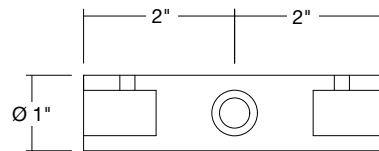


# System components

## : Guide rail

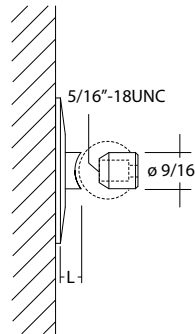
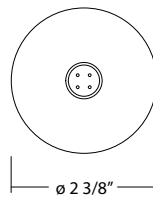


**Art. No.** **Guide rail ø 1"**  
 USO200EF no attachment material,  
 USO200DB please state length!  
 up to 118 1/8" as one piece,  
 satin stainless steel (AISI 303) or  
 dark bronze coated



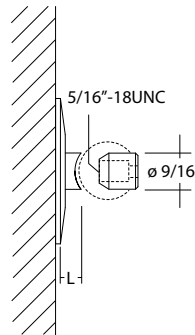
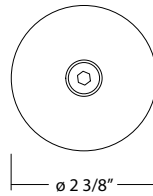
**Art. No.** **Coupling ø 1"**  
 USO205EF for guide rail USO200EF,  
 USO205DB for segmented guide rail (longer  
 than 118 1/8" with coupling/s)  
 coupling L = 3 5/16"  
 satin stainless steel (AISI 303) or  
 dark bronze coated

## : Wall fixtures



**Art. No.** **Wall fixtures (5/16"- 18 UNC)**  
 USU210EF for glass doors on masonry  
 without trim and baseboard,  
 distance L = 3/16",  
 disc ø 2 3/8", without screw

USU215EF for wood doors on masonry,  
 without trim and baseboard,  
 distance  
 L = 3/4", disc ø 2 3/8",  
 without screw  
 satin stainless steel (AISI 303)

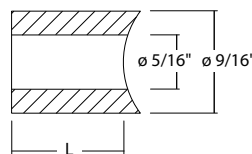


**Art. No.** **Wall fixtures (5/16"- 18 UNC)**  
 USU212DB for glass doors on masonry  
 without trim and baseboard  
 USU212EF distance L = 3/16", disc ø 2 3/8"  
 without screw

USU214DB for wood doors on masonry  
 without trim and baseboard  
 USU214EF distance L = 3/4", disc ø 2 3/8"  
 without screw  
 satin stainless steel (AISI 303) or  
 dark bronze coated

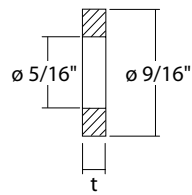


dark bronze

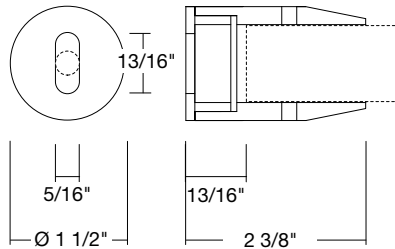


**Art. No.** **Spacer ø 9/16"**  
 USO226-19EF for glass doors with trim  
 USO226-19DB and baseboard,  
 distance L = 3/4"  
 USO226-33EF for wood doors with trim  
 USO226-33DB and baseboard,  
 distance L = 1 5/16"  
 satin stainless steel (AISI 303) or  
 dark bronze coated

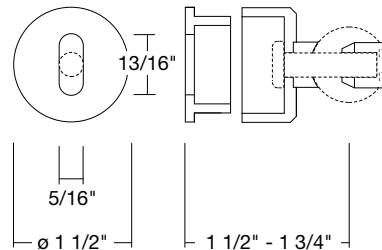
**Art. No.**      **Compensation discs  $\varnothing$  9/16"**  
 USO216-2EF    thickness  $t = 1/16"$   
 USO216-2DB    thickness  $t = 1/16"$   
 USO216-5EF    thickness  $t = 3/16"$   
 USO216-5DB    thickness  $t = 3/16"$   
 USO216-10EF   thickness  $t = 3/8"$   
 USO216-10DB   thickness  $t = 3/8"$   
 to compensate for wall  
 unevenness, only one piece per  
 wall mount!  
 satin stainless steel (AISI 303) or  
 dark bronze coated



**Art. No.**      **Wall joint, front face**  
 USO240EF    for guide rail USO200EF, attachment  
 point can be adjustable using  
 elongated hole,  
 satin stainless steel (AISI 303)

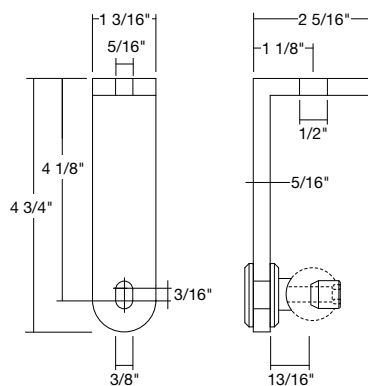


**Art. No.**      **Wall fixture, adjustable**  
 USO242EF    for guide rail USO200EF,  
 wall clearance can be adjusted  
 approx. 1/4", attachment point  
 using elongated hole,  
 satin stainless steel (AISI 303)



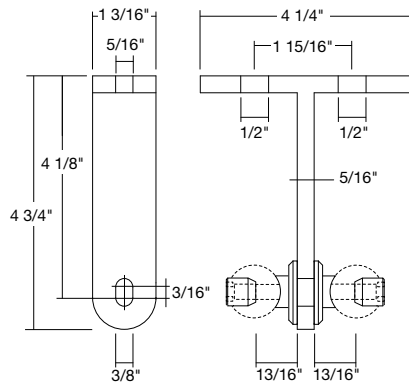
///: Ceiling fixtures

**Art. No.**      **Ceiling fixture (1 x)**  
 USO248EF    for single guide rail USO200EF,  
 attachment point can be adjustable  
 using elongated hole,  
 satin stainless steel (AISI 303/304)



# System components

## ⚡ Ceiling fixtures

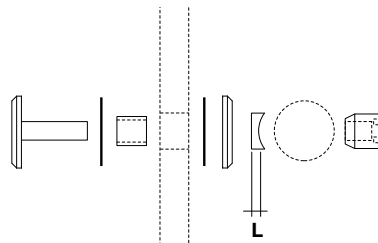


**Art. No.** **Ceiling fixture (2 x)**  
 USO249EF for double guide rail USO200EF, for glass doors only, attachment point can be adjustable using elongated hole, satin stainless steel (AISI 303/304)

USO249-H Additional kit for wood doors

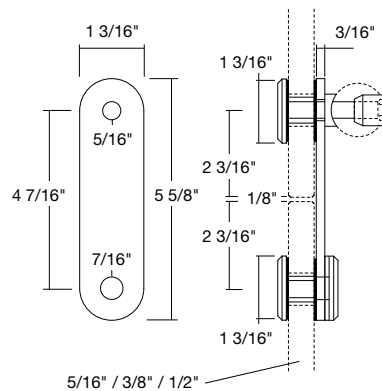
▼ For wood doors please order additional kit USO249-H

## ⚡ Mounting on glass



**Art. No.** **Glass fastening set**  
 USO230G for glass doors 5/16" - 1/2", distance L = 3/16" decorative screw  $\varnothing$  1 3/16" for mounting the guide rail USO200EF onto glass surfaces glass protection set satin stainless steel (AISI 303)

▼ Glass drill holes  $\varnothing$  9/16"



**Art. No.** **Glass joint plate for continuous skylight of glasses**

USO245-8EF for glass surfaces t = 5/16"

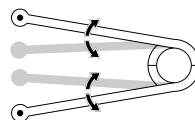
USO245-10EF for glass surfaces t = 3/8"

USO245-12EF for glass surfaces t = 1/2"

decorative screw  $\varnothing$  1 3/16", set for mounting the guide rail USO200EF onto glass surfaces glass protection set satin stainless steel (AISI 303/304)

▼ Glass drill holes  $\varnothing$  9/16"

## ⚡ Mounting tools



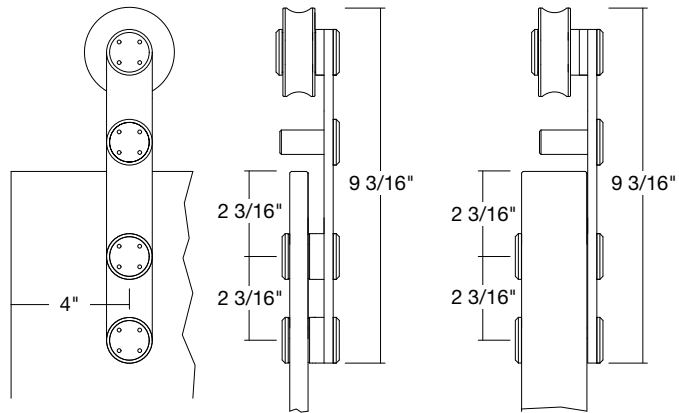
**Art. No.** **Calliper face spanner S**  
 Z923 for mounting decorative caps and screws with 4 drill holes (adjustable)



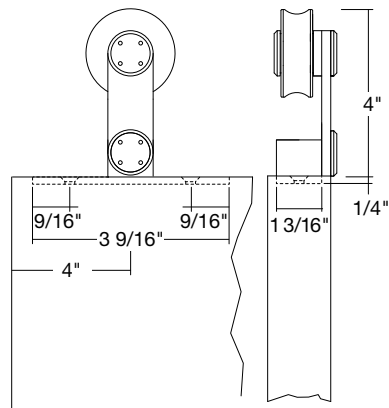
**Art. No.** **Allen key SW5**  
 Z926 for mounting decorative caps and screws with internal hexagon

/// Trolleys

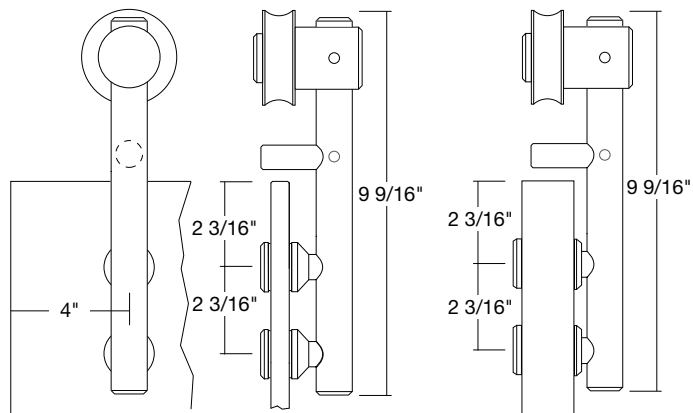
**Art. No.** **Trolley, Flatec I**  
 USO120EF for glass doors, t = 5/16" - 1/2"  
 USO121EF for wood doors, t up to 1 3/4"  
 height-adjustable approx. +/- 1/8",  
 satin stainless steel (AISI 303/304)



**Art. No.** **Trolley, Flatec II**  
 USO130EF for wood doors, t up to 1 3/4"  
 without height adjustment,  
 satin stainless steel (AISI 303/304)



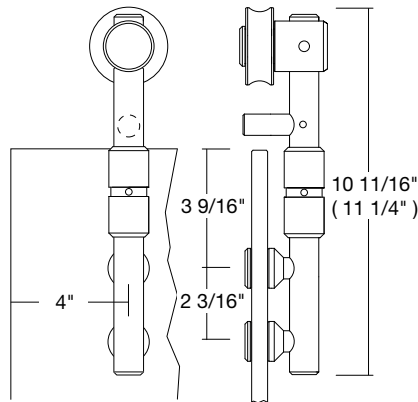
**Art. No.** **Trolley, Unotec Home**  
 USH100EF for glass doors, t = 5/16" - 1/2"  
 USH105EF for wood doors, t up to 1 3/4"  
 without height adjustment,  
 satin stainless steel (AISI 303/304)



- ▼ Maximum door weight 100 kg (220 lbs) using by pairs
- ▼ Glass drill holes  $\varnothing$  1/2"
- ▼ Wood drill holes  $\varnothing$  3/8"

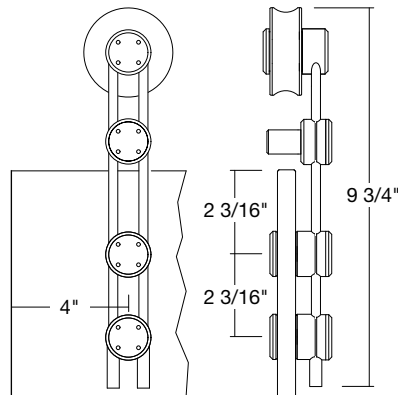


## : Trolleys



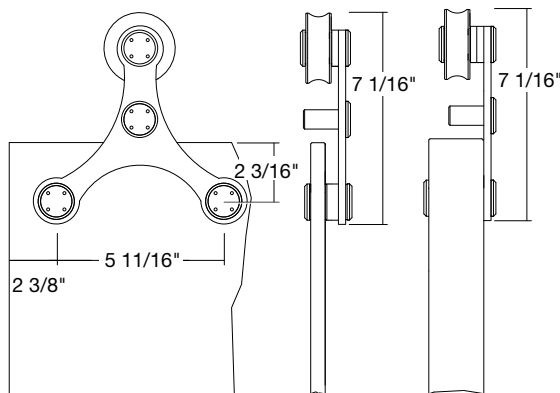
**Art. No.** USO100EF  
**Trolley, Unotec Objekt**  
 for glass doors,  $t = 5/16'' - 1/2''$   
 height-adjustable approx.  $\pm 5/16''$ ,  
 satin stainless steel (AISI 303)

▼ Maximum door weight 100 kg  
 (220 lbs) using by pairs



**Art. No.** USO110EF  
**Trolley, Duetec**  
 for glass doors,  $t = 5/16'' - 3/8''$   
 height-adjustable  
 approx.  $\pm 1/8''$ ,  
 satin stainless steel (AISI 303)

▼ Maximum door weight 60 kg  
 (132 lbs) using by pairs

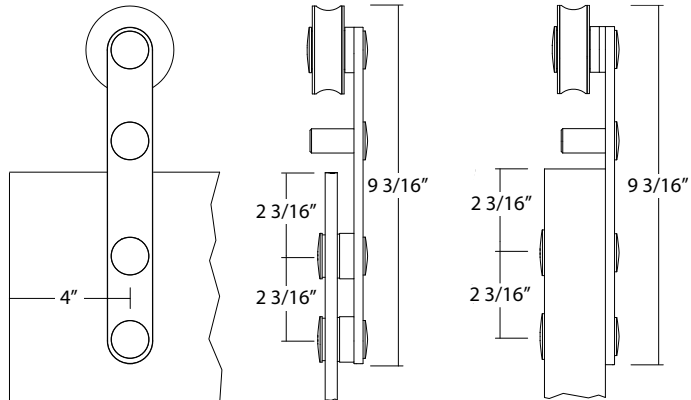


**Art. No.** USO122EF  
**Trolley, Tritec**  
 for glass doors,  $t = 5/16'' - 1/2''$   
 USO123EF  
 for wood doors,  $t$  up to  $1 3/4''$   
 height-adjustable approx.  $\pm 1/8''$ ,  
 satin stainless steel (AISI 303/304)

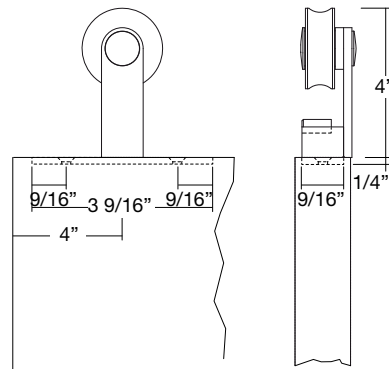
▼ Maximum door weight 100 kg  
 (220 lbs) using by pairs  
 ▼ Glass drill holes  $\varnothing 1/2''$   
 ▼ Wood drill holes  $\varnothing 3/8''$

/// Trolleys

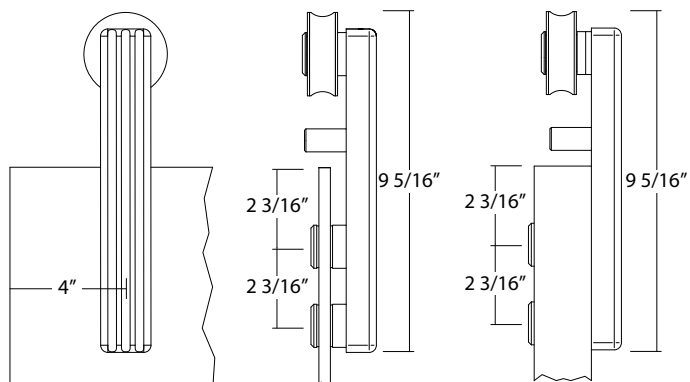
**Art. No.** **Trolley, Antra I**  
 US0126DB for glass doors, t = 5/16" - 1/2"  
 US0129DB for wood doors, t up to 1 3/4",  
 height-adjustable approx. +/- 1/8"  
 stainless steel-dark bronze coated



**Art. No.** **Trolley, Antra II**  
 US0131DB for wood doors, t up to 1 3/4"  
 without height adjustment,  
 stainless steel-dark bronze coated

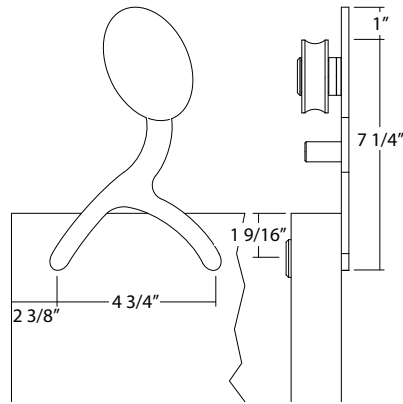


**Art. No.** **Trolley, Shield**  
 US0140EF for glass doors, t = 5/16" - 1/2"  
 US0141EF for wood doors, t up to 1 3/4"  
 height-adjustable approx. +/- 1/8"  
 cover: stainless steel optic  
 satin stainless steel (AISI 303/304)



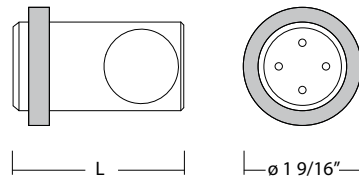
- ▼ Maximum door weight 100 kg (220 lbs) using by pairs
- ▼ Glass drill holes ø 1/2"
- ▼ Wood drill holes ø 3/8"

## : Trolleys

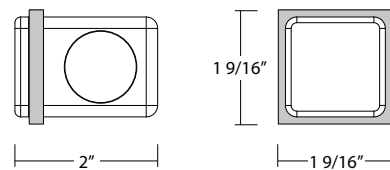


**Art. No.** **Trolley, Skater, (1 pair)**  
 USO150EF-B for wood doors, t up to 1 3/4"  
 without height adjustment  
 satin stainless steel (AISI 303/304)

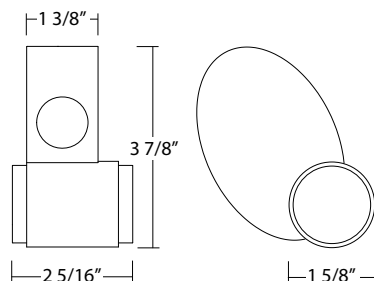
## : Door stoppers



**Art. No.** **Door stopper**  
 USO250EF for Unotec Home/Object,  
 L = 2 1/4"  
 USO251EF for Flatec, Duetec, Tritec,  
 L = 1 3/4", ø 1 3/16",  
 rubber, satin stainless steel  
 (AISI 303)



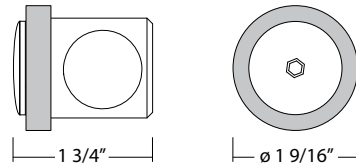
**Art. No.** **Door stopper**  
 USO252EO for Shield 1 9/16" x 1 9/16" L = 2"  
 rubber, stainless steel optic



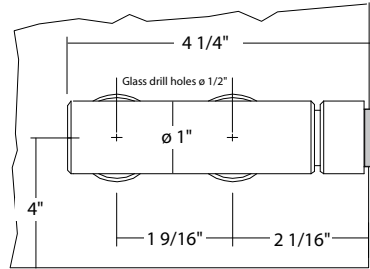
**Art. No.** **Door stopper**  
 USO253EF for Skater 3 7/8" x 2 5/16"  
 rubber, satin stainless steel  
 (AISI 303/304)

/// : Door stoppers

**Art. No.** USO254DB  
**Door stopper**  
 For Antra L = 1 3/4"  
 rubber, stainless steel-dark  
 bronze coated

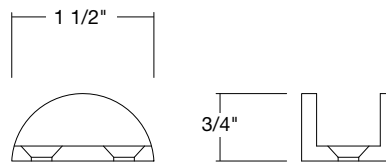


**Art. No.** USO255EF  
**Door stopper set**  
 one pair for a double glass door  
 ø 1", stoppers adjustable  
 satin stainless steel (AISI 303)  
 ▼ Glass drill holes ø 1/2"

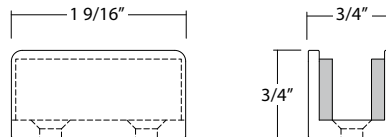


/// : Bottom guides

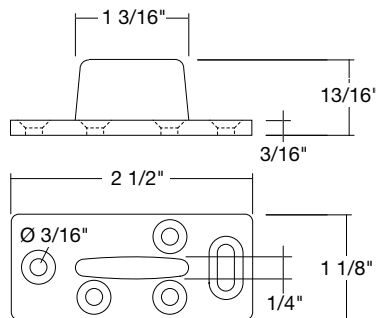
**Art. No.** USO260EF  
 USO260DB  
**Bottom guide**  
 for door leaf, t = 5/16" - 1/2"  
 with felt insert, satin stainless  
 steel (AISI 304) or stainless steel-  
 dark bronze coated



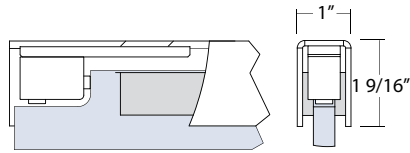
**Art. No.** USO261EF  
**Bottom guide**  
 for door leaf, t = 5/16" - 1/2"  
 with felt insert, satin stainless steel (AISI304)



**Art. No.** USH268K  
**Bottom guide**  
 for wood doors, t up to 1 3/4"  
 plastic for groove 5/16" x 11/16"  
 ▼Groove for bottom guide  
 5/16" x 11/16"



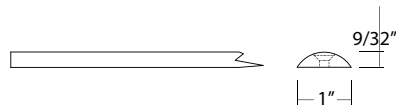
## : Guide rails



**Art. No.**  
USO85EF

**Ceiling (wall) guide rail**  
with 2 internal door stoppers  
please state length!  
Up to 118 1/8" as one piece,  
satin stainless steel (AISI304)

▼ Please note:  
The ceiling has to be leveled!

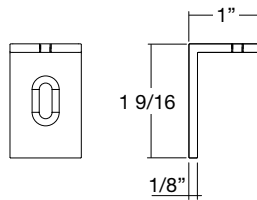
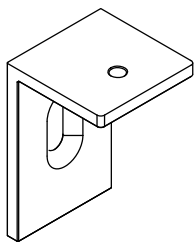


**Art. No.**  
USO86EF

**Bottom guide rail**  
please state length!!  
Up to 118 1/8" mm as one piece,  
satin stainless steel (AISI303)

▼ Please note:  
The floor has to be leveled!

## : Wall fixture



**Art. No.**  
USO285EF

**Mounting bracket for wall fixture**  
For mounting the ceiling guide rail  
USO85EF  
set consisting of:  
5 mounting brackets and 5 screws  
satin stainless steel (AISI304)

▼ Suitable for Silent Glam sets

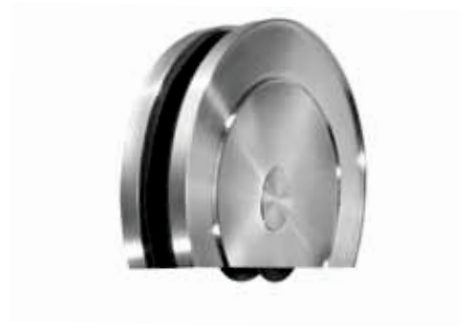
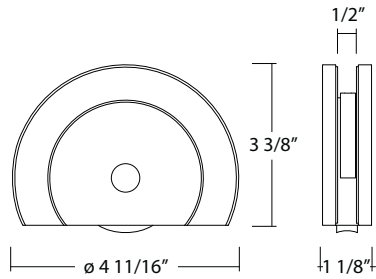
## : Accessories

**Art. No.**  
USO287F-3  
USO287F-4  
USO287F-5  
USO287F-6

**Slide protection for glass doors**  
thickness  $t = 1/8"$  for  $1/2"$  glass  
thickness  $t = 5/32"$  for  $7/16"$  glass  
thickness  $t = 13/64"$  for  $3/8"$  glass  
thickness  $t = 1/4"$  for  $5/16"$  glass  
set consisting of:  
4 x self-adhesive strips of felt  
 $2 \frac{3}{4}" \times 6 \frac{1}{16}"$  for mounting onto  
glass

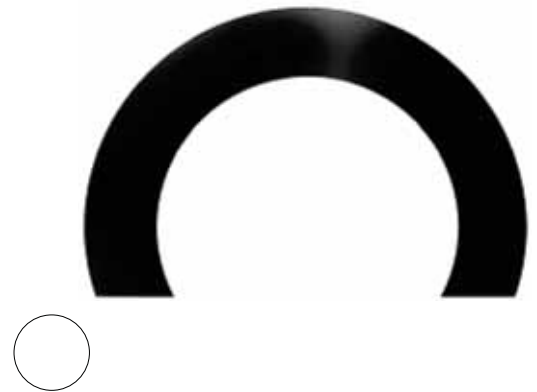
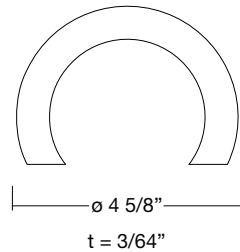
Rollers

**Art. No. Base bottom roller for glass doors**  
 US0180-10EF glass t = 5/16"-3/8"  
 US0180-12EF glass t = 7/16"-1/2"  
 glass protection set,  
 including Allen key (SW2,5), Z927  
 satin stainless steel (AISI303)

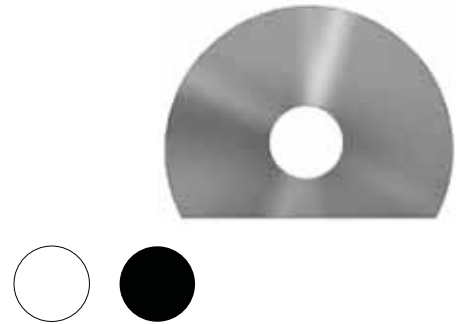
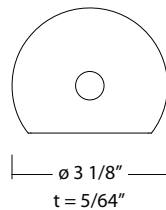


Accessories | Inlays

**Art. No. Decorative outer inlay**  
 US0281G003 glossy white glass  
 US0281G004 glossy black glass  
 provided with self-adhesive  
 tape for mounting

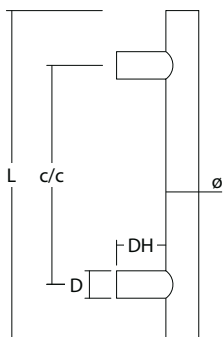


**Art. No. Decorative center inlay**  
 US0280EF satin stainless steel (AISI304)  
 US0280G003 glossy white glass  
 US0280G004 glossy black glass  
 provided with self-adhesive  
 tape for mounting



# Door and flush handles

▼ To complete your individual designs and plans with our sliding door systems, we provide you with a comprehensive range of door handles and flush handles. You can perfectly complement all glass and wood sliding door systems with the stainless steel handles, shown here as an example. Using various attachment sets, you can mount the handles visibly as well as invisibly, both as single handles and in handle pairs. All door handles are manufactured in finely ground stainless steel. Please ask us about special lengths for your objects. Please refer to [www.abp-beyerle.de](http://www.abp-beyerle.de) and our master catalogue for additional products and more information.



## Door handle Impero ø 1"

### For Glass doors

Art. No. Single handle	Art. No. Handle set	L	c/c
SI300-25EF-SG	SI300-25EF-PG	11 13/16"	8 1/4"
SI400-25EF-SG	SI400-25EF-PG	15 3/4"	11 13/16"
SI500-25EF-SG	SI500-25EF-PG	19 11/16"	13 3/4"
SI600-25EF-SG	SI600-25EF-PG	23 5/8"	15 3/4"
SI900-25EF-SG	SI900-25EF-PG	35 7/16"	27 9/16"
SI1200-25EF-SG	SI1200-25EF-PG	47 1/4"	35 7/16"

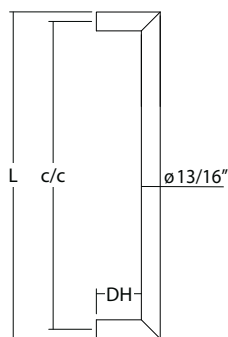
### For Wood doors

Art. No. Single handle	Art. No. Handle set	L	c/c
SI300-25EF-SW	SI300-25EF-PW	11 13/16"	8 1/4"
SI400-25EF-SW	SI400-25EF-PW	15 3/4"	11 13/16"
SI500-25EF-SW	SI500-25EF-PW	19 11/16"	13 3/4"
SI600-25EF-SW	SI600-25EF-PW	23 5/8"	15 3/4"
SI900-25EF-SW	SI900-25EF-PW	35 7/16"	27 9/16"
SI1200-25EF-SW	SI1200-25EF-PW	47 1/4"	35 7/16"

passage height DH = 1 3/4"

mounting set for glass or wood doors, handle bar: ø 1", material thickness t = 5/64", satin stainless steel (AISI 304), distance D: ø 7/8", satin stainless steel (AISI 303), solid

▼ Glass drill holes ø 9/16", Wood drill holes ø 1/2"



## Door handle Beluga ø 13/16"

### For Glass doors

Art. No. Single handle	Art. No. Handle set	L	c/c
SG300-20EF-SG	SG300-20EF-PG	11 13/16"	8 1/4"
SG400-20EF-SG	SG400-20EF-PG	15 3/4"	11 13/16"
SG500-20EF-SG	SG500-20EF-PG	19 11/16"	13 3/4"
SG600-20EF-SG	SG600-20EF-PG	23 5/8"	15 3/4"
SG900-20EF-SG	SG900-20EF-PG	35 7/16"	27 9/16"
SG1200-20EF-SG	SG1200-20EF-PG	47 1/4"	35 7/16"

### For Wood doors

Art. No. Single handle	Art. No. Handle set	L	c/c
SG300-20EF-SW	SG300-20EF-PW	11 13/16"	8 1/4"
SG400-20EF-SW	SG400-20EF-PW	15 3/4"	11 13/16"
SG500-20EF-SW	SG500-20EF-PW	19 11/16"	13 3/4"
SG600-20EF-SW	SG600-20EF-PW	23 5/8"	15 3/4"
SG900-20EF-SW	SG900-20EF-PW	35 7/16"	27 9/16"
SG1200-20EF-SW	SG1200-20EF-PW	47 1/4"	35 7/16"

passage height DH = 1 3/4"

mounting set for glass or wood doors, handle bar: ø 13/16" satin stainless steel (AISI 303), solid

▼ Glass drill holes ø 1/2", Wood drill holes ø 3/8"



/// : Door handle Thalís ø 1" ///

**For Glass doors**

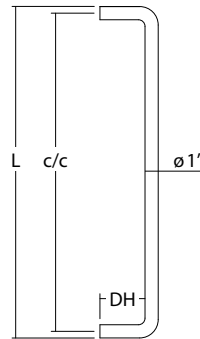
Art. No. Single handle	Art. No. Handle set	L	c/c
SN325-25EF-SG	SN325-25EF-PG	12 13/16"	11 13/16"
SN625-25EF-SG	SN625-25EF-PG	24 5/8"	23 5/8"

**For wood doors**

Art. No. Single handle	Art. No. Handle set	L	c/c
SN325-25EF-SW	SN325-25EF-PW	12 13/16"	11 13/16"
SN625-25EF-SW	SN625-25EF-PW	24 5/8"	23 5/8"

passage height DH = 1 3/4"  
mounting set for glass or wood doors  
satin stainless steel (AISI 303), solid

- ▼ Glass drill holes ø 9/16"
- Wood drill holes ø 1/2"

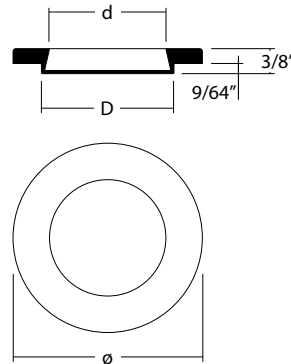


/// : Flush handle Diskus ///

Art. No.	ø	d	D
GO70-4EF	2 3/4"	ø 1 5/8"	ø 1 15/16"
GO90-4EF	3 9/16"	ø 2 7/16"	ø 2 11/16"

for glass doors, stainless steel,  
insertion depth 9/64"  
satin stainless steel

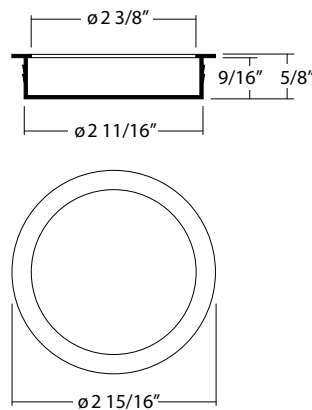
- ▼ Glass drill holes ø 2" and ø 2 3/4"



/// : Flush handle Kambium ///

**Art. No.**  
GN75-14EF specially made for wood doors, with stud force fitting, ø 2 15/16", insertion depth 9/16", satin stainless steel (AISI303)

- ▼ Wood drill holes ø 2 21/32"



# Terms & Policy

<b>Prices</b>	Published prices are effective the date listed and are <b>SUBJECT TO CHANGE WITHOUT NOTICE</b> . No prices are guaranteed without a separate quotation. All shipments will be invoiced at prices prevailing at time of shipment.
<b>Terms</b>	Accounts with approved credit, invoices are due in full NET 30 unless otherwise mutually agreed upon in writing. Accounts are considered Past Due after 30 days and shall be placed on Credit Hold until the account is paid in full. To establish credit, fill out credit application and submit to Beyerle US LLC for consideration.
<b>Past Due Accounts</b>	All accounts which have outstanding invoices past 30 days shall be placed on "CREDIT HOLD" until all past due balances are paid in full. Beyerle US LLC may elect but does not guaranty it may continue shipping product on a C.O.D. status until account is paid in full. A finance charge of 1.5% per month (18% annual) on all past due balances shall be applied. Any account with a past due balance more than 90 days shall be placed on permanent C.O.D. status. Accounts shall be liable for all collections and legal fees incurred by Beyerle US LLC in the collection of past due accounts.
<b>Bad Checks</b>	Any form of payment submitted to Beyerle US LLC and returned by a lending institution as not valid for any reason, the account shall be charge a fee of \$35.00. Payment must be submitted in certified funds in full within 7 business days. Failure to submit payment shall cause account to be placed on Credit Hold until such payment is made.
<b>Minimum Orders</b>	A minimum order amount of \$100.00 US net is required. No minimum quantities. A delivery surcharge of \$10.00 shall be assessed on any order under \$100.00 net.
<b>Shipping</b>	All merchandise shipped by Beyerle US LLC shall be shipped UPS direct from our European headquarters unless otherwise indicated. Freight charges shall be assessed from point of entry into the United States only.
<b>Drop Shipments</b>	There shall be a \$2.00 minimum order charge plus all freight handling charges on all orders drop shipped to a designated third party. Drop shipments to addresses other than a business address may incur additional charges for handling. All drop shipments must meet minimum order requirements.
<b>Claims for Shortage</b>	All claims for errors or shortages in shipments must be made within 14 days from date of invoice. Claims beyond 14 days may not be honored. Original invoice number and date of shipment must accompany all returns.
<b>Returns</b>	Returns are acceptable only for defects or errors for which we are responsible. No merchandise shall be returnable without first receiving a RETURN GOODS AUTHORIZATION NUMBER from Beyerle US LLC. Request for return must be submitted within 30 days of date of invoice in writing. Any merchandise returned without prior approval from Beyerle US LLC shall be refused and returned to sender. Any return approved by Beyerle US LLC must be returned within 30 days of approval notice. RGA number must be printed clearly on shipping label and all paper work included with merchandise. PRODUCT & PACKAGING MUST BE IN RESALABLE CONDITION. All returns subject to a 25% restocking fee:
<b>Restocking &amp; Packaging</b>	All items returned are subject to a restocking fee of 25 percent. The dealer is responsible for making sure the merchandise being returned is properly packaged and acceptable for resale. Product returned in packaging not suitable for resale shall be subject to a 10% repackaging fee.
<b>Confirmation of Orders</b>	We shall provide a confirmation of order received on all orders. It is the dealers responsibility to assure the order is correct within 24 hours of receiving the order confirmation. We cannot be responsible for duplicate orders or order errors of dealer receipt of order confirmation.
<b>Special Orders</b>	Quotation of custom pieces shall be given usually within 4 days of receipt of quote request. Please allow 3 weeks minimum for custom orders to be made. An estimate of ship date shall be given at time of order. Large quantity price quotations shall be given within one week of receiving them. Price quotes on large quantities shall only be good for 30 days unless special request for extended time is requested. Estimated ship time shall be given at time of order.
<b>Stock Order Program</b>	Dealers may at any time place a stock order with a minimum of \$1000.00 net and receive an additional discount of 5% plus free freight. Stock orders shall be shipped by a method chosen by Beyerle US LLC. Please allow a minimum 3 week delivery time. Dealers may combine any products from Beyerle US LLC and ABP-Beyerle to meet stock order minimum requirements. Only stock items shall count towards the minimum order requirements. Special or custom order items may be included in shipment but will not be eligible for additional discounts.
<b>Claims</b>	Claims for products or displays delivered damaged or broken cannot be warranted or covered by Beyerle US LLC or ABP-Beyerle. All orders should be inspected prior to accepting them from delivery carrier. Any damage should be noted on carrier paperwork and claims filed with the carrier.
<b>Warranty</b>	Metal Material finishes only will carry a limited lifetime warranty. Warranty is limited to manufacturing defects only. Surface or visual imperfections or damage to product caused by neglect, misuse, or improper care will result in warranty being voided. Beyerle US LLC reserve the right to void warranty if on inspection of products it determines any improper care, use or maintenance has occurred. Glass, ceramic, and moving parts are not covered under any warranty. Please refer to product care and cleaning tips guidelines.