

HAWA®

Convincing all round:

HAWA-Media 70/H and 70/GB.

*The ideal hardware system
for curved wooden or glass
sliding doors up to
70 kg (154 lbs.).*



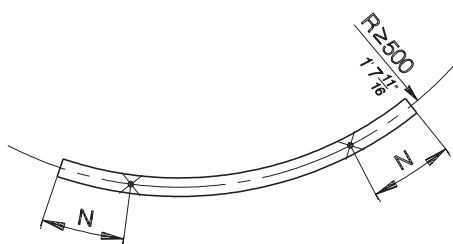
Curved wooden sliding doors:
HAWA-Media 70/H is the
perfect all-round solution.

Advanced technology

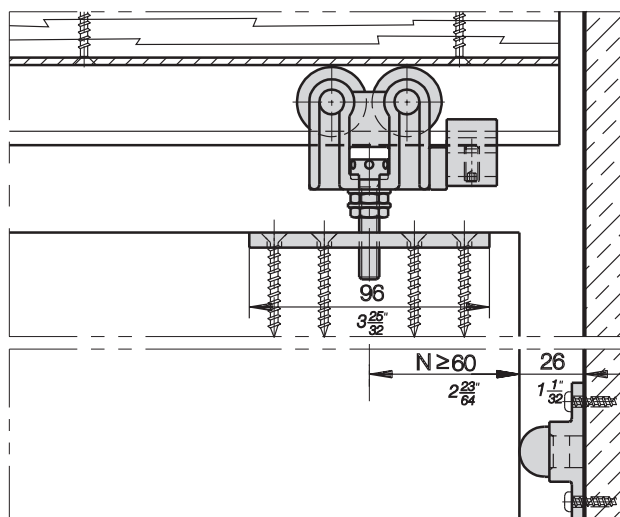
HAWA-Media 70 has been a highly successful hardware system for many years. It is a truly convincing solution for curved sliding doors weighing up to 70 kg (154 lbs.). And like all other HAWA hardware systems, it has outstanding running properties thanks to its plastic-coated ball bearings. With the HAWA-Media 70 you can count on a hardware system that is extremely robust and will provide a long service life. Its rattle proof bottom guide makes sure that no noises – e.g. due to draughts, etc. – interfere with its smooth and silent operation.

So simple to install

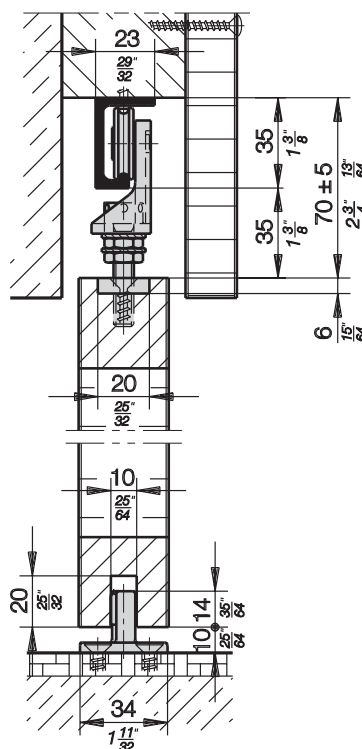
The HAWA-Media 70 saves you both time and nerves thanks to the fact that it is so simple to install and is so versatile. Its top tracks are supplied already curved and drilled, and are thus ready for installation. You can choose a radius of 500 mm (1'7 ¹¹/₁₆") or greater. The doors are extremely easy to adjust horizontally, and installation is equally simple whether on the wall or the ceiling.



HAWA-Media 70/H for wooden sliding doors.



The trolley installation points must always be in the axis of gravity (Measure N).



Ordering specifications for wooden sliding doors

- Quantity of sliding doors
- Layout sketch:
axis radius
length of top track
door width
- Ceiling / wall installation

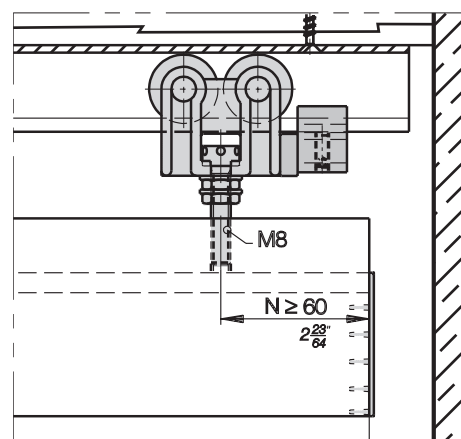
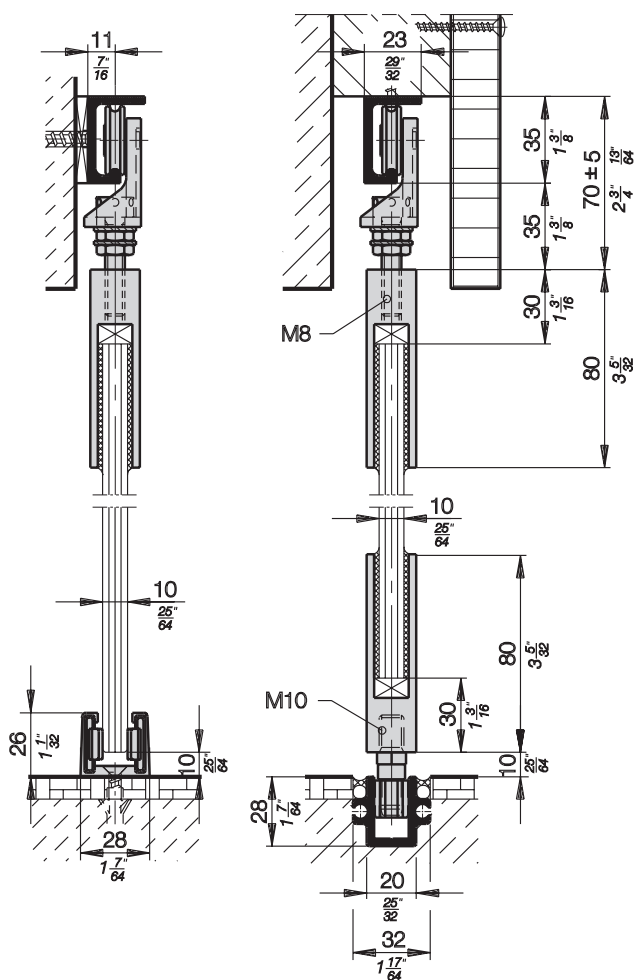
Curved glass sliding doors:

Ideally moved with

HAWA-Media 70/GB.



HAWA-Media 70/GB for glass sliding doors.



Features of the HAWA-Media 70/H – 70/GB

- Plastic-tyred ball bearing wheels
- Top track in alu plain anodized
- Vertical adjustment ± 5 mm ($\frac{13}{64}$ ")
- Ideal for use with curved doors
- Minimum radius 500 mm ($1'7 \frac{11}{16}$ ")
- Extremely light and smooth operation

Toughened safety glass

The hardware system is intended for use with 10-mm ($\frac{25}{64}$ ") toughened safety glass. Please contact your glass manufacturer for details of glass panels and retainers.

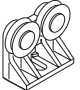
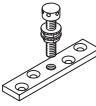



Ordering specifications for glass sliding doors

- Quantity of sliding doors
- Thickness of glass
- Door weight
- Layout sketch: axis radius, length of top track and bottom guide channel, door width
- Type of bottom guide
- Quantity and colour of cover caps
- Ceiling / wall installation

Hardware system for curved wooden sliding doors

	panel	code
HAWA-Media 70, Set, without top track	1	11666

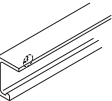
Set comprising

		piece	code
	Two-wheeled trolley, M8, plastic-tyred ball bearing wheels	2	10370
	Top fixing plate with hanger bolt M8 and counter-nut	2	10430
	Track stop, alu plain anodized	1	10588
	Screw-on wall bumper	1	10584
	Floor-mounted guide, playfree, plastic	1	14427

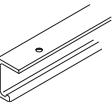
Accessories

		code
	Bottom door stopper, dull chromium finish	17782

Top tracks for side fixing

		mm/inch	code
	Top track, alu plain anodized, predrilled (for use with curved sliding doors)	6000 (19'8 $\frac{7}{32}$)	10123
		cut to size	10126





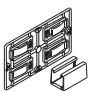
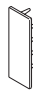


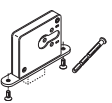

Top tracks for soffit fixing

		mm/inch	code
	Top track, alu plain anodized, predrilled (for use with curved sliding doors)	2500 (8'2 $\frac{27}{64}$)	12234
		3500 (11'5 $\frac{51}{64}$)	12235
		6000 (19'8 $\frac{7}{32}$)	10127
		cut to size	10130

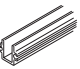

Further information

Please do not hesitate to contact us to obtain further information about the HAWA-Media 70.

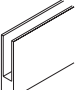
Hardware system for curved glass sliding doors

			code
	Two-wheeled trolley, plastic-tyred wheels		10370
	Hanger bolt M8, complete		11511
	Track end stop, alu plain anodized		10588
	Screw-on rubber door stop		10629
	Floor guide to screw, rattle proof, plastic, complete, for 8/10/12 (12.7) mm ($\frac{5}{16}$ / $\frac{25}{64}$ / $\frac{15}{32}$) ($\frac{1}{2}$) glass, dull chromium finish		16029
	Cover cap, plastic, to suspension retainer profile	grey	13180
		black	13191
	Centering assembly for all glass sliding doors	grey	18619
	Guide, plastic, 13 mm ($\frac{33}{64}$), with threaded bolt M10		14474
	Mortise door lock, for curved all-glass doors	Profile cylinder 17 mm	15195
		Round cylinder 22 mm	15196
	Strike plate, alu plain anodized		10742

Bottom guide channels

			code
	Bottom guide channel, alu plain anodized predrilled 31 x 28 mm	cut to size	13690
	Grooved dowel pin, stainless steel	Ø 6 x 40 mm ($\frac{15}{64}$ x $1\frac{37}{64}$)	13759

Glass suspension and retainer profiles

			code
	Glass suspension and retainer profiles, alu unanodized, undrilled	cut to size	10344

Surface treatments

Glass suspension and retainer profiles are unfinished. Surface treatments are charged separately. Prices on request.

Services for glass sliding doors

Ascertaining the suspension and guide point, including drilling and thread cutting, service items such as curving of top tracks and bottom guide channels, planning and project handling (e.g. drawings) as well as surface treatment are charged separately. Prices on request.

Subject to modification. Metric specifications are exact. Inches are approximate.

15728-/4.04/english © 1997 Hawa AG

Further information:

Hawa AG
CH-8932 Mettmenstetten, Switzerland
Phone +41 44 767 91 91, Fax +41 44 767 91 78
www.hawa.ch

Available from
specialist dealers