

HAWA®

A far-reaching choice:

HAWA-Telescopic 40/4 - 80/2 -

hardware system for simulta-

neously sliding of 4 doors

weighing up to 40 kg (88 lbs.)

or 2 doors weighing up to

80 kg (176 lbs.).

Telescopic

HAWA - Telescopic 40/4 - 80/2



HAWA-Telescopic 40/4 - 80/2:
the hardware system that offers you the widest range of options for opening and closing 2 or 4 sliding doors.



Versatility

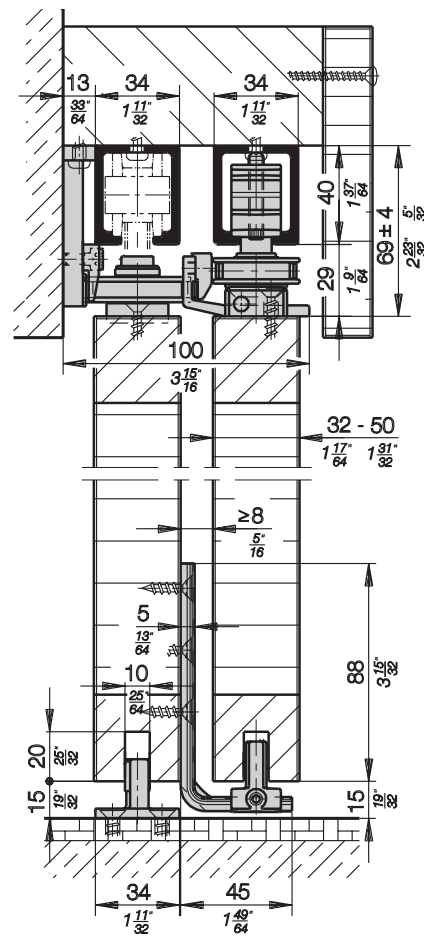
HAWA-Telescopic is the ideal solution for moving 2- or 4-panel sliding doors, and it will solve a wide variety of problems for you: for example, if there is not sufficient space for a very wide sliding door, two narrower panels can be moved together. Another advantage is that two sliding doors can easily be moved simultaneously to the left, and two to the right. You also have the option of connecting all 4 doors together, which means that only one door has to be moved in order for two to be moved simultaneously to the left and two to the right.

So the 4-panel version of HAWA-Telescopic for weights up to 40 kg (88 lbs.) and the 2-panel version for weights up to 80 kg (176 lbs.), enable sliding doors to be operated smoothly and silently while offering remarkable versatility. Designed for use with the HAWA-Junior 80/Z, only.

Convincing technology

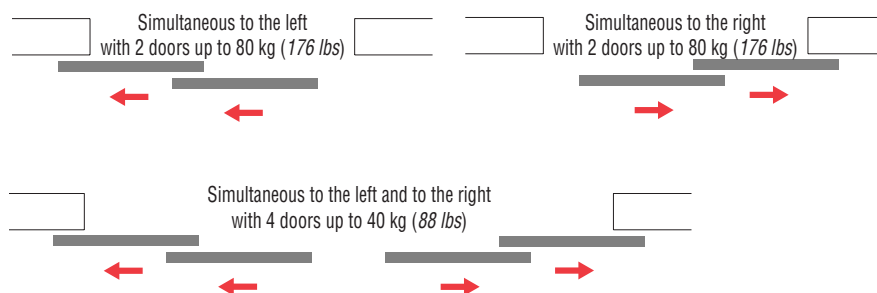
The options are wide-ranging, yet the basic principle of the HAWA-Telescopic is simple. Both sliding doors are connected together with toothed belts via rollers and toothed-belt attachments. This means that the system functions in the same way as a 2-panel elevator door: when one door is moved, the other one moves with it at a different speed, and the result is that the two doors open together.

And this technology will not let you down, even after many years of operation with thousands of opening and closing movements. This is possible thanks to the high-quality materials and outstanding design and production of the HAWA-Telescopic, just as you have come to expect from every HAWA hardware system.



Simple installation

With the HAWA-Telescopic, installation is extremely simple and convenient. To connect the two sliding doors, all you have to do is link the toothed belt via rollers and toothed-belt attachments. And the installation height is as low as with the HAWA-Junior 80/Z, which means that you also save time – and as is well known, time is money!



For planning and execution please use the installation instructions code 16183.



Further information:

Hawa AG
 CH-8932 Mettmenstetten, Switzerland
 Phone +41 44 767 91 91, Fax +41 44 767 91 78
www.hawa.ch

Available from specialist dealers