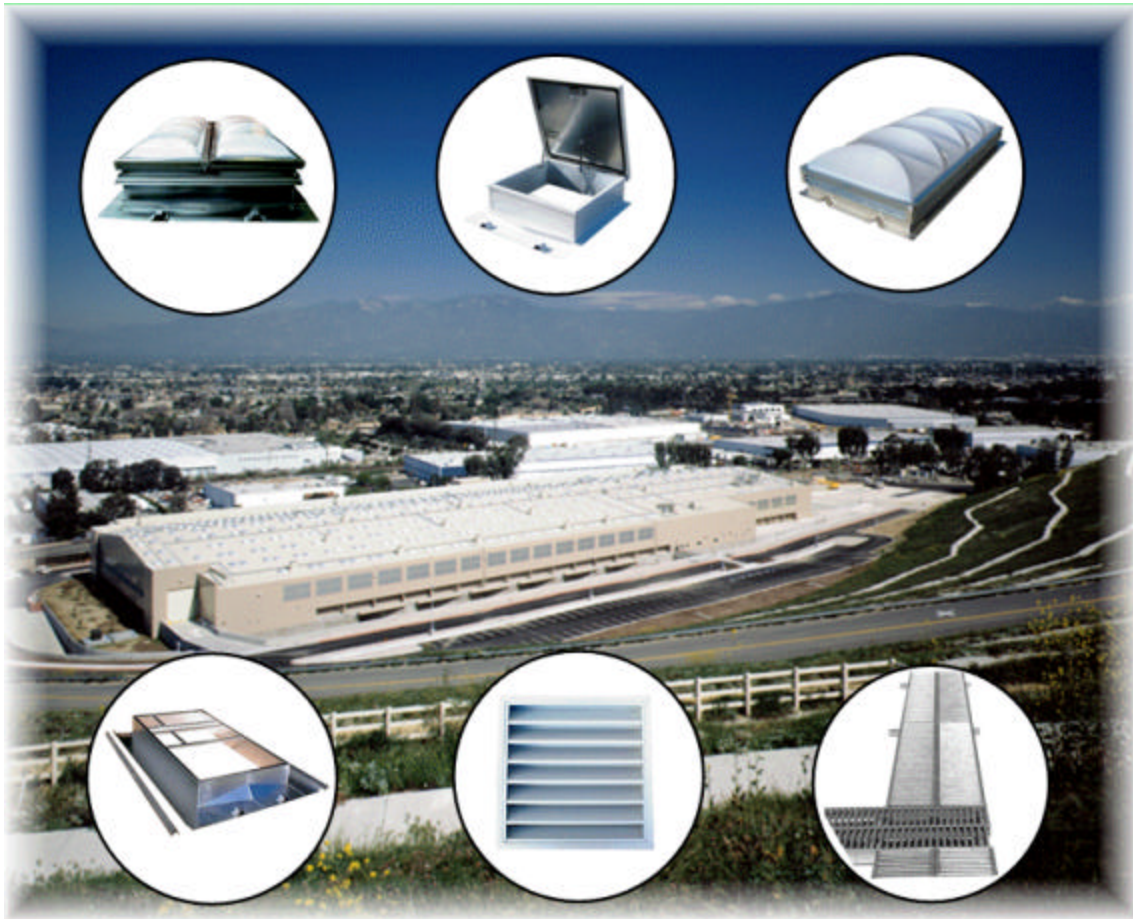


# R & S Sales Company

## Custom Building Accessories

Automatic Smoke Vents    Roof Hatches

Skylights



Metal Building Curbs

Louvers

Roof Walkways

800-423-1619

[WWW.RNSSALES.COM](http://WWW.RNSSALES.COM)

R & S Sales Company

Serving Building Contractors Since 1964

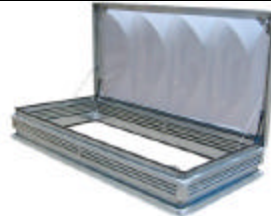
# R & S Sales Company

Since 1964, R & S has supplied the Metal Building industry with high quality accessories customized to meet special needs of the pre engineered building contractor. Our manufacturing employs the latest in modern metal working machinery and software, and products conforming with the highest recognized standards in the industry. Quality and value remain our most important promises to our customers.



R & S UL Listed smoke hatches employ the latest technology in meeting the rigorous standards of Underwriters Labs. Attention to detail assures smooth and dependable operation. Whether the building requires domed or solid lid hatches, conventional or metal building bases, aluminum or steel construction, we have the best solution in the industry.

R & S Non-Listed smoke hatches employ many of the same components of our listed hatches. Intended for applications not requiring a fully listed hatch, these products offer a lower cost solution for low rise industrial applications requiring heat and smoke vent protection. Whether the building requires domed or solid lid hatches, conventional or metal building bases, aluminum or steel construction, we have the best solution for your needs.



R & S Skylights offer a lower cost solution for low rise industrial applications requiring natural lighting. Whether the building requires single or dual glazed construction, louvered options, conventional or metal building bases, aluminum or steel fabrication, we have the best solution for your needs. Smooth dome and/or ICC listed assemblies available as options.

R & S Roof Access Hatches offer a durable means of securing a roof opening with many customizable features. Typically fabricated of 14 GA galvanized steel, hatches feature a 12" high base, a gas spring operator, inside and outside opening handles and padlock provisions. Steel or Aluminum construction, conventional or metal building bases, custom sizes and orientations, and custom finishes are offered with this product line.



R & S Roof Equipment Hatches offer a durable means of securing a roof opening with many customizable features. Typically fabricated of 14 GA galvanized steel, hatches feature a 12" high base, compression spring operators, inside and outside opening handles and padlock provisions. Steel or Aluminum construction, conventional or metal building bases, custom sizes and orientations, and custom finishes are offered with this product line.

800-423-1619

[WWW.RNSSALES.COM](http://WWW.RNSSALES.COM)

R & S Sales Company

Serving Building Contractors Since 1964

# R & S Sales Company

## UL Listed Automatic Smoke Hatch

### Domed or Solid Lid Construction

### Convention or Metal Building

#### Standard Sizes

(Width x Length)

48" x 48"

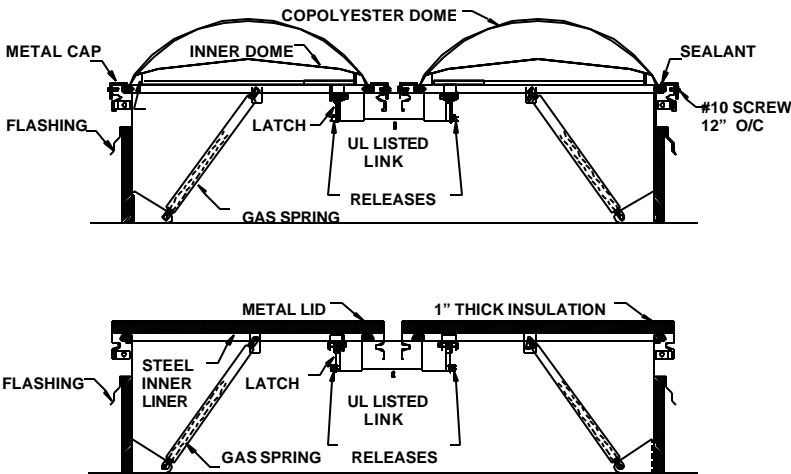
48" x 96"

60" x 60"

60" x 72"

60" x 96"

All sizes shown are UL listed to UL Standard 793 as described in File #R22164. Construction is permitted with steel or aluminum bases and lids. Dome assemblies utilizing Co-Polyester Solarex is permitted for all sizes shown. Fabrication with UL listed fusible links or resettable McCabe links is permitted. Latches are designed with hardened steel and stainless steel components enabling certification of a 30 PSF uplift condition. Door assemblies are pre loaded with high pressure gas springs enabling time controlled opening against a 10 PSF load. Construction includes inside and outside manual release provisions. Bases are listed for self flashing, curb mount or multiple metal building flashing requirements. Doors are fitted with EPDM bulb gaskets. Products are provided with a five year limited warranty.



Base Curb Variations

Self Flashing (Shown)

Curb Mount

Metal Building Under/Over

Metal Building Seam Clip

Metal Building Layover

Metal Building Internal Flanged

800-423-1619

[WWW.RNSSALES.COM](http://WWW.RNSSALES.COM)

R & S Sales Company

Serving Building Contractors Since 1964

# R & S Sales Company

## Non- Listed Automatic Smoke Hatch

### Domed or Solid Lid Construction

### Convention or Metal Building Base

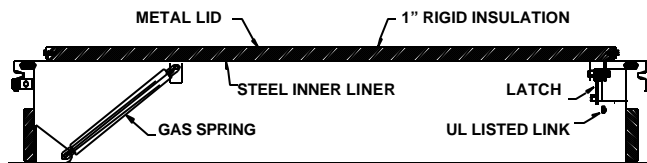
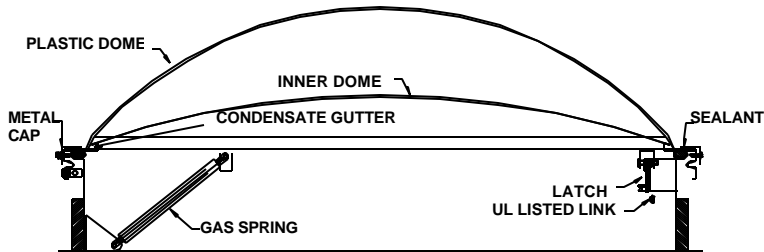
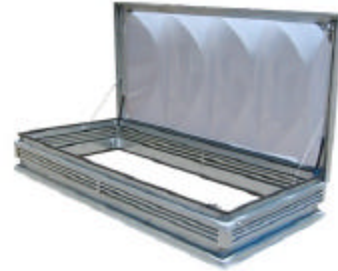
#### Standard Sizes

(Width x Length)

48" x 48"

48" x 96"

Construction is with steel or aluminum bases and lids. Dome assemblies utilizing Co-Polyester Solarex is used for all sizes shown. Fabrication with UL listed fusible links. Latches are designed with hardened steel alloy and stainless steel components. Door assemblies are pre loaded with high-pressure gas springs enabling time-controlled opening. Construction includes outside manual release provisions. Bases are listed for self-flashing, curb mount or multiple metal building flashing requirements. Doors are fitted with EPDM bulb gaskets. Products are provided with a one year limited warranty.



Base Curb Variations

Self Flashing (Shown)

Curb Mount

Metal Building Under/Over

Metal Building Seam Clip

Metal Building Layover

800-423-1619

[WWW.RNSSALES.COM](http://WWW.RNSSALES.COM)

R & S Sales Company

Serving Building Contractors Since 1964

# R & S Sales Company

## Standard Skylight

Arched CoPolyester White Dome

Perimeter Cap with Sealants

Condensate Gutter

Convention or Metal Building Bases

Washed Longlife Fasteners

## Skylight Options

Clear Inner Dome

Louvered Perimeter

Steel or Aluminum Construction

Outside Fall Protection Screen

Inside Security Bars

## Standard Sizes (Width x Length)

### Model - Inside Curb Opening

1993 - 19-1/4" x 93-1/4"

2146 - 21-1/4" x 46-3/4"

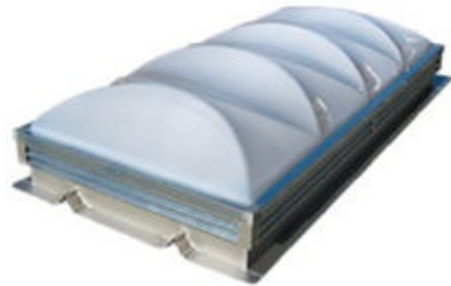
2593 - 25-1/4" x 93-1/4"

2770 - 27-3/8" x 70-3/4"

6072 - 60" x 72"

4896 - 48" x 96"

All sizes shown are constructed with White Skylight material complying with UL Standard 972 for burglar resistance, and a light transmittance value of 62%. Assemblies have been tested for compliance with Air Infiltration per ASTM E283, Water Resistance per ASTM E547, and Uniform Load Tests per ASTM E330. Construction is with steel or aluminum bases, metal perimeter retaining caps, condensate gutters, perimeter sealants, and washed longlife fasteners. Bases are constructed for self flashing, curb mount or metal building flashings. Products are provided with a one year limited warranty.



## Base Curb Variations

Self Flashing

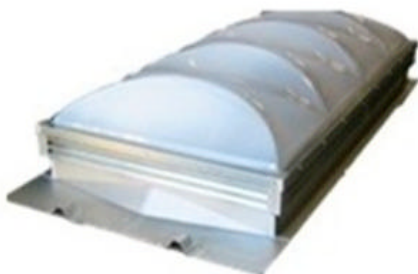
Curb Mount

Metal Building - Under/Over (Shown)

Metal Building - Seam Clip

Metal Building - Layover

Metal Building - Internal Flanged



800-423-1619

[WWW.RNSSALES.COM](http://WWW.RNSSALES.COM)

## R & S Sales Company

Serving Building Contractors Since 1964

# R & S Sales Company

## Roof Access Hatches

## Options

**2'6" x 3'0" Clear Opening**

**Custom Sizes**

**14 GA Galvanized Steel**

**Aluminum Construction**

**Non-Pitched Non-Insulated Base**

**Insulated MB Curb**

**Convention or Metal Building Bases**

**Custom Hinge Placement**

**Padlock Hasp - Vinyl Grip Hold Open**

**Custom Color Finish**

Model RAH roof hatches are single leaf assemblies with fully welded corner joints on cover and curb. Covers manufactured with 14 gauge galvanized steel with a 2-1/2" beaded flange with formed reinforcing members. Cover fitted with a heavy duty extruded EPDM rubber gasket that is fastened to the cover interior to assure a continuous seal when compressed to the top surface of the curb. Cover insulation is 1" thick polyisocyanurate rigid insulation, and protected by a metal liner. Curb is 12" in height and constructed with 14 gauge galvanized steel. The curb shall be equipped with an integral metal capflashing of the same gauge and material as the curb, with fully welded corners. Lifting mechanisms utilize a high performance gas spring which applies forces to the cover and opens the cover in a controlled manner. Hardware includes heavy duty pintle hinges, a latch with interior and exterior turn handles, and with interior and exterior padlock hasps. The latch strike is a stamped component bolted to the curb assembly. The cover automatically locks in the open position with a rigid hold open arm equipped with a vinyl grip handle to permit easy release for closing.



## Roof Equipment Hatches

**Galvanized Steel or Aluminum Construction**

**Non-Pitched Non-Insulated Base**

**Convention or Metal Building Bases**

**Padlock Hasp - Vinyl Grip Hold Open**

**Custom Sizes**

**Dual Overlapping Leafs**



**800-423-1619**

[WWW.RNSSALES.COM](http://WWW.RNSSALES.COM)

**R & S Sales Company**

**Serving Building Contractors Since 1964**

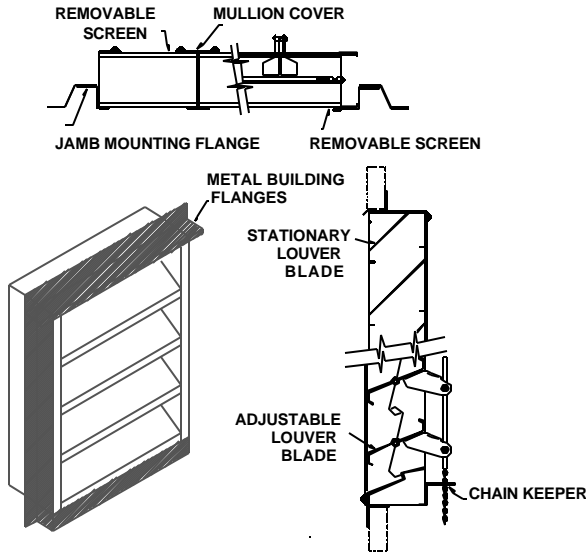
# R & S Sales Company

## Stationary & Adjustable Louvers

18 GA Galvanized Steel – 0.080” Aluminum

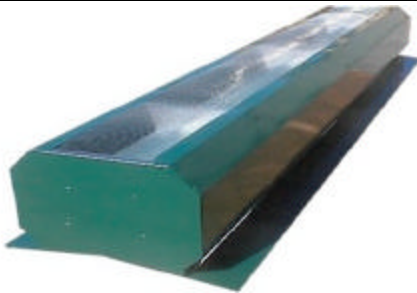
4” Depth - Customized Flanging – Framed Screening

Special Shapes – Circular – Gable - Sectioned



### Options

- Custom Sizes – Width – Height - Depth
- Custom Color Powder Coat or Kynar Finish
- Motor Operators – Chain Manual Operators
- Heavy Gauge & All Welded Construction
- Drainable Blades – Sightproof Blades



## Ridge Vents Assembled - Knocked Down

Galvanized Steel or Aluminum Construction

Damper Kits & Extended Chain Operators

1/2” Mesh Galvanized Screen

Variable Pitch Up To 6:12

10' Length Low Profile

Extra Wide Skirts

Custom Colors

MODEL	Throat	Height	Width at Top	Width at Base
RV-9	9”	14”	21-1/4”	28”
RV-12	12”	18-1/8”	28-1/4”	32-1/2”
RV-18	18”	28-1/2”	41”	48”
RV-24	24	37-1/2”	54-1/4”	64”

800-423-1619

[WWW.RNSSALES.COM](http://WWW.RNSSALES.COM)

## R & S Sales Company

Serving Building Contractors Since 1964

# R & S Sales Company

## Metal Building Roof Curbs

All Welded Construction

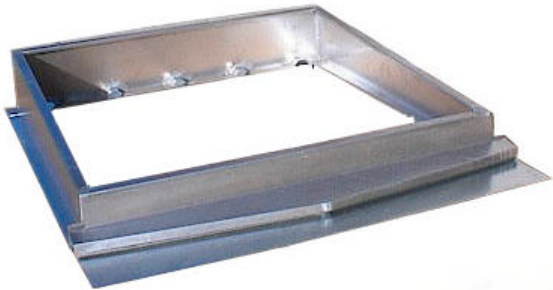
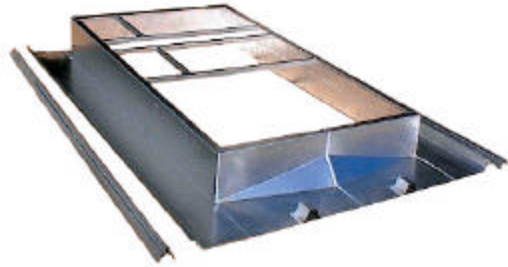
Minimum 18 GA Aluminized Steel

Corners Mitered & Welded

Pitch Corrected to Provide a Level Top

Upslope Crickets or Diverter Assembly

Contours to Match Major Rib Geometries



## Options

Custom Color Finish

Custom Sizes – Custom Designs

Aluminum Construction

1" Rigid R7.2 Insulation

Sub Framing, Sealants, Fasteners

## Metal Roof Walkways

18 GA Galvanized Steel Construction

Non-Penetrating Attachment to SS Roofs

12" Wide Interlocking Non-Skid Planks

Safety Handrails & Toe Boards

Custom Sizes, Gauges, Finishes

Pitch Corrected When Specified

Clips, Fasteners, & Supports



800-423-1619

[WWW.RNSSALES.COM](http://WWW.RNSSALES.COM)

**R & S Sales Company**

Serving Building Contractors Since 1964