

Finally!

STC 60-65

Recording Studio Windows & Doors with STC Ratings in the 60's

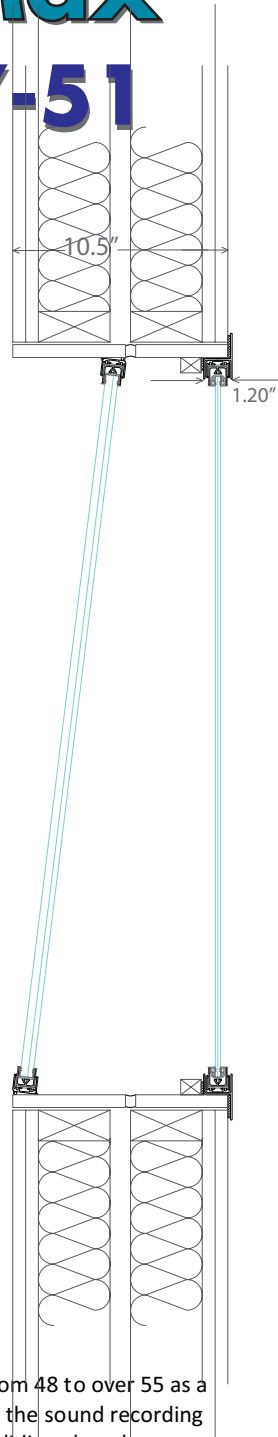
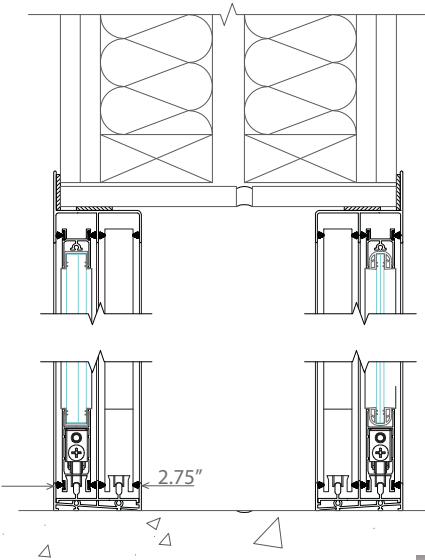
Introducing:

Studio Window Max™ and Studio Door Max™

STC 60-65 OITC 47-51

Fully Lab Tested

Until now, your weakest link has been your windows and doors. Now match or exceed your wall STCs with studio windows and doors from *Soundproof Windows**. We offer slanted, vertical and operating windows as well as sliding glass doors. All have STCs in the 60s. Using our breakthrough technologies and specially made laminated glass we can provide you with superior noise reduction products. Our windows and doors concentrate on reducing the low frequency sounds (typically the area where you need the most help). Review the test results and you will see our low frequency values are even more impressive than our STC results.



*Soundproof Windows is the national leader in noise abatement windows. Their soundproofing windows offer STC values from 48 to over 55 as a second window behind existing residential or commercial windows. Now their experience and expertise has been applied to the sound recording studio industry. These STC & OITC results far exceed any other standard commercially offered recording studio windows or sliding glass doors.

Studio Window Max™

by Soundproof Windows, Inc.

STC 57 to 62

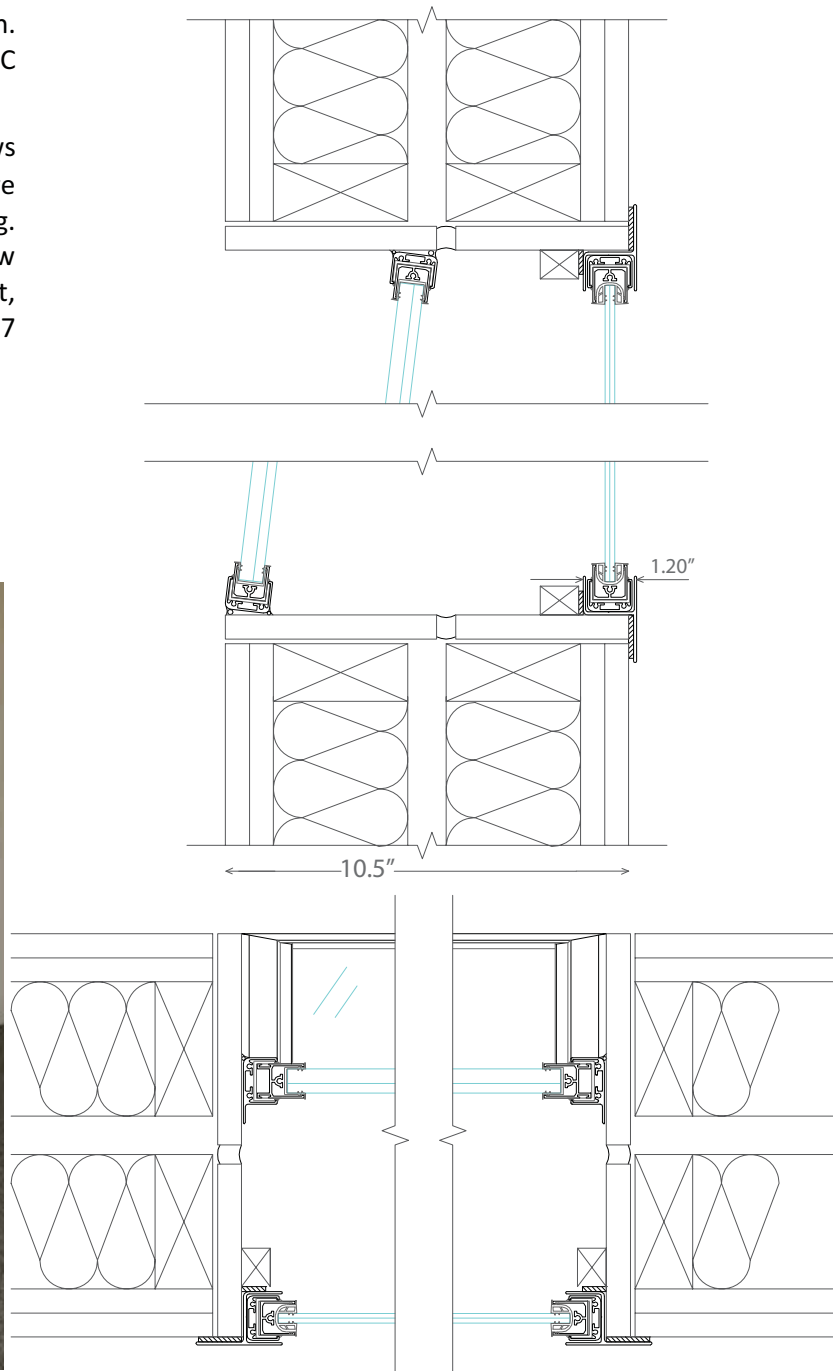
Slanted or Vertical Windows: Our studio windows consist of two independent fixed windows on each side of your window opening. One window is vertical and the second one can be installed vertically or slanted – your choice at the time of installation. We tested our window in a 10.5" wall (overall thickness) with the window slanted back 5.0" and achieved an STC of 61. For the 8.0" wall we had a setback of 3.0" and it also got an STC value of 61. The window angle is easily adjusted during the installation. With both windows mounted vertically, we achieved STC values of 61 to 62.

Operable Sliding Windows: Two sliding windows allow you to open up between the two rooms and have more personable direct discussions while not recording. Not previously available in a high STC window, but now available for those wanting this new approach. Think of it, an opening pair of windows that still have STCs between 57 and 60 – an option never possible previously.

- Easy to Install
- Slanted Glass is field adjustable
- Complete Architectural Drawings
- Full Specimen 6' by 4' Acoustical Lab Tested



Glass Configurations: All our windows and doors use laminated glass that is NOT dual pane. Dual pane glass is never a good noise reduction glass configuration. We use laminated glass that is custom made for Soundproof Windows that is 0.650 inches thick. We also use 0.250 inch thick laminated glass. One or both of the windows in the opening will have the special 0.650 inch laminated glass.



Studio Door Max™

by Soundproof Windows, Inc.

STC 55 to 65

Two sliding glass doors mounted on each side of your door opening.

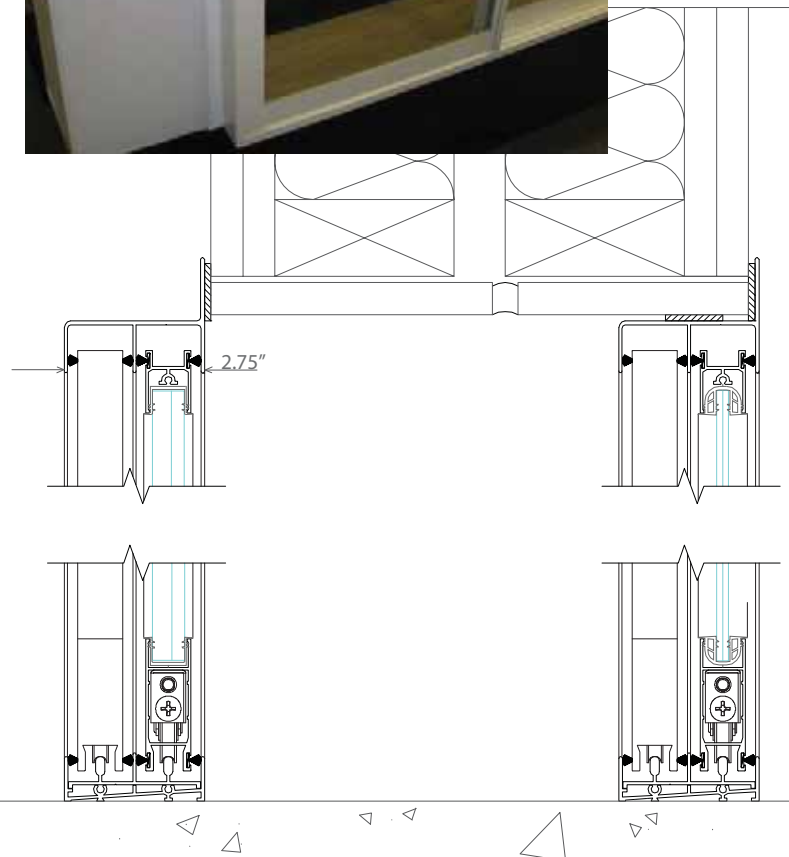
The doors can be mounted inside the opening or outside of the door opening (see drawings). An 8.0 inch thick wall can provide an overall installed door thickness ranging from 8.0 to 13.5 inches. A 10.5" wall depth can provide up to 16.0 inches of overall door assembly thickness. All of the door panels are removable, meaning you can use the entire opening to move oversized items (Grand Pianos?) into the recording area easily.

High STC values in a sliding glass door – amazing but true.

With our doors, you can now get high STC values – not possible previously. Now you can use a pair of sliding glass doors and get a higher STC than most solid doors. If you mounted our sliding glass door over a swing door (yes possible if the door swings away from the sliding glass door) you can improve the overall STC values and be able to see into the recording area until the last minute before recording when you close the swing door.

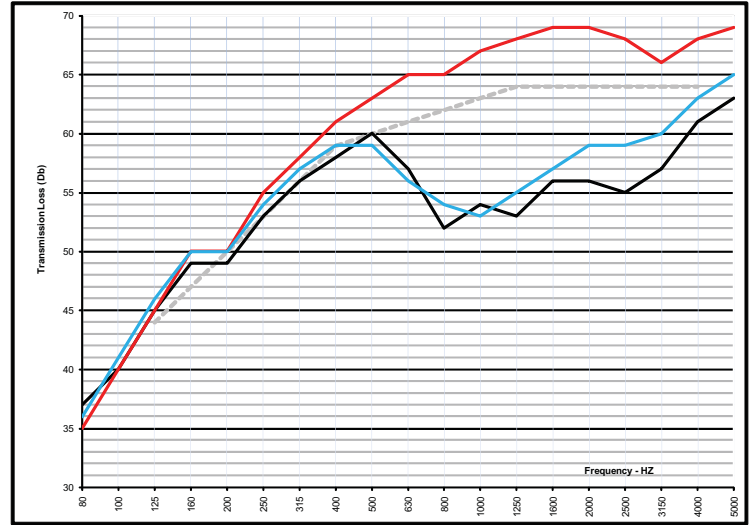
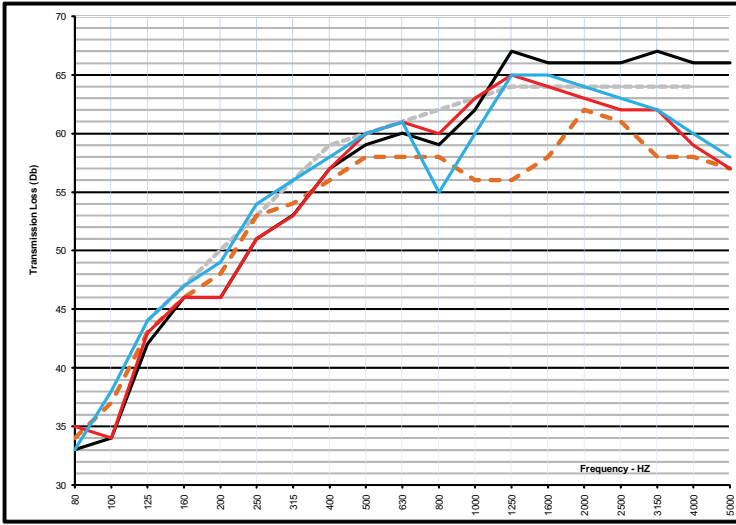
- **No swing in or swing out obstructions**
- **All panels are removable, so you can utilize the full door opening width when needed**
- **Audience viewing easily accommodated**

Door STC results: Using two doors we achieve STCs of 55 to 57 depending on the glass configuration and spacing. Using three doors, we get an STC of 65. Look at the chart on the back page. The two door options block as much low frequencies as the 65 STC combination. Only in the upper frequencies does the 65 STC combination outperform the two door set. Even then, the 2 door combinations stop over 55 decibels in the upper frequencies. Close any two doors and achieve over 55 STC and close the third to get a 65 STC.



Studio Window Max™

Studio Door Max™



- Operable SPW65 + SPW65 STC 58 OITC 49
- 8.0" Slant ST65 + ST25 STC 61 OITC 47
- 10.5" Slant ST65 + ST25 STC 60 OITC 48
- 10.5" Slant ST65 + ST65 STC 61 OITC 49
- 60 STC Curve
- 13.25" OA SGD65 + SGD65 STC 55 OITC 51
- Triple SG Doors STC 65 OITC 51
- 16.0" OA SGD65 + SGD65 STC 57 OITC 51

1/3 Octave Band (HZ)	STC	OITC	Transmission Loss (dB)																	Test Report Number		
			80	100	125	160	200	250	315	400	500	630	800	1000	1250	1600	2000	2500	3150		4000	5000
Studio Operable Windows																						
10.5" Overall depth - 7.0" AS (Air Space)																						
SPW65+AS+SPW65	58	49	34	37	43	46	48	53	54	56	58	58	58	56	56	58	62	61	58	58	57	TL09-258
SPW65+AS+SPW25	57	47	32	33	42	45	46	51	52	55	57	57	57	58	58	59	59	59	59	58	57	TL09-260
13.25" Overall depth - 9.75" AS																						
SPW65+AS+SPW65	60	50	34	38	44	47	49	54	56	58	61	61	61	60	59	62	62	62	61	60	58	TL09-262
SPW65+AS+SPW25	59	49	34	36	43	47	48	53	55	57	60	60	60	60	59	59	59	59	59	59	57	TL09-261
Studio Fixed Vertical Windows																						
8.0" Overall depth - 6.25" AS																						
ST65+AS+ST25	62	49	34	36	43	46	47	52	54	58	60	61	60	63	66	67	67	67	68	66	66	TL09-272
10.5" Overall depth - 8.5" AS																						
ST65+AS+ST65	60	49	33	37	44	47	49	54	55	58	60	61	56	60	57	65	63	63	62	60	58	TL09-265
ST65+AS+ST25	61	49	33	36	43	47	48	53	55	58	60	62	60	62	62	66	63	63	62	60	58	TL09-264
Studio Fixed - 1 Slanted & 1 Vertical																						
8.0" Overall depth - Air Space(AS) is 4.0" top & 6.0" bottom - Frame 3" past vertical																						
ST65+AS+ST25	61	47	33	34	42	46	46	51	53	57	59	60	59	62	67	66	66	66	67	66	66	TL09-275
10.25" Overall depth - Air Space(AS) is 4.5" top & 8.75" bottom - Frame 5" past vertical																						
ST65+AS+ST25	60	48	35	34	43	46	46	51	53	57	60	61	60	63	65	64	63	62	62	59	57	TL09-267
ST65+AS+ST65	61	49	33	38	44	47	49	54	56	58	60	61	55	60	65	65	64	63	62	60	58	TL09-266
Sliding Glass Doors (SGD)																						
13.25" Overall depth - 9.75" AS																						
SGD65+AS+SGD65	55	51	37	40	45	49	49	53	56	58	60	57	52	54	53	56	56	55	57	61	65	TL09-297
SGD65+AS+SGD25	56	49	35	38	44	46	45	51	53	57	59	59	53	56	57	57	56	56	58	62	66	TL09-300
16.0" Overall depth - 12.5" AS																						
SGD65+AS+SGD65	57	51	36	41	46	50	50	54	57	59	59	56	54	53	55	57	59	59	60	63	65	TL09-298
SGD65+AS+SGD25	56	50	36	39	44	48	47	51	53	57	56	53	54	55	56	56	55	56	58	62	66	TL09-299
16.0" Overall depth - First pair 13.25" Overall depth (9.75" AS) - Second 16.0" Overall including middle door (2.5" AS) - Three doors																						
SGD65+SGD25+SGD65	65	51	35	40	45	50	50	55	58	61	63	65	65	67	68	69	69	68	66	68	69	TL09-301

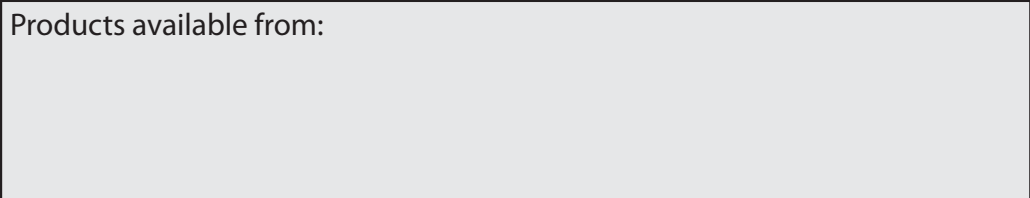
- SPW65 Operable sliding XX Window with marine glazed 0.650" special laminated glass
- SPW25 Operable sliding XX Window with marine glazed 0.250" laminated glass
- ST65 Fixed window with double marine glazed 0.650" special laminated glass
- ST25 Fixed window with double marine glazed 0.250" laminated glass
- SGD25 Sliding glass door with marine glazed 0.250" laminated glass
- SGD65 Sliding glass door with marine glazed 0.650" special laminated glass

All tests were done by Western Acoustical Labs (WEAL) a fully accredited independent testing laboratory in California using full sized windows and doors.

Manufactured by:



Products available from:





Price List

effective 4/15/2009

Studio Windows & Sliding Glass Doors

Studio Fixed Glass Windows - Slanted or Vertical

Width	Height	Exact Window Width without Fin	Exact Window Height without Fin	Finished Wall Opening Size	Clear View Area - Glass Opening	Window with .650 Laminated Glass		Window with .250 Laminated Glass	
						Price Each (You will need 2 per opening)	Weight (lbs)	Price Each (You will need 2 per opening)	Weight (lbs)
24	24	26.25	26.25	26.5 " x 26.5 "	23 " x 23 "	\$ 365.00	33	\$ 325.00	13
24	36	26.25	38.25	26.5 " x 38.5 "	23 " x 35 "	\$ 450.00	50	\$ 390.00	20
36	36	38.25	38.25	38.5 " x 38.5 "	35 " x 35 "	\$ 580.00	74	\$ 490.00	30
48	36	50.25	38.25	50.5 " x 38.5 "	47 " x 35 "	\$ 645.00	99	\$ 525.00	40
60	36	62.25	38.25	62.5 " x 38.5 "	59 " x 35 "	\$ 740.00	124	\$ 590.00	50
72	36	74.25	38.25	74.5 " x 38.5 "	71 " x 35 "	\$ 860.00	149	\$ 680.00	59
84	36	86.25	38.25	86.5 " x 38.5 "	83 " x 35 "	\$ 950.00	173	\$ 740.00	69
96	36	98.25	38.25	98.5 " x 38.5 "	95 " x 35 "	\$ 1,040.00	198	\$ 800.00	79
36	48	38.25	50.25	38.5 " x 50.5 "	35 " x 47 "	\$ 645.00	99	\$ 525.00	40
48	48	50.25	50.25	50.5 " x 50.5 "	47 " x 47 "	\$ 750.00	132	\$ 590.00	53
60	48	62.25	50.25	62.5 " x 50.5 "	59 " x 47 "	\$ 880.00	165	\$ 680.00	66
72	48	74.25	50.25	74.5 " x 50.5 "	71 " x 47 "	\$ 980.00	198	\$ 740.00	79
84	48	86.25	50.25	86.5 " x 50.5 "	83 " x 47 "	\$ 1,080.00	231	\$ 800.00	92
96	48	98.25	50.25	98.5 " x 50.5 "	95 " x 47 "	\$ 1,180.00	264	\$ 860.00	106

Operable Sliding Windows

48	40.25	47.75	40.25	48 " x 40.5 "		\$ 724.00	107	\$ 590.00	54
60	40.25	59.75	40.25	60 " x 40.5 "		\$ 797.00	134	\$ 630.00	67
72	40.25	71.75	40.25	72 " x 40.5 "		\$ 921.00	161	\$ 720.00	81
84	40.25	83.75	40.25	84 " x 40.5 "		\$ 1,034.00	188	\$ 800.00	94
96	40.25	95.75	40.25	96 " x 40.5 "		\$ 1,168.00	215	\$ 900.00	107
108	40.25	107.75	40.25	108 " x 40.5 "		\$ 1,301.00	242	\$ 1,000.00	121
120	40.25	119.75	40.25	120 " x 40.5 "		\$ 1,435.00	268	\$ 1,100.00	134
48	52.25	47.75	52.25	48 " x 52.5 "		\$ 804.00	139	\$ 630.00	70
60	52.25	59.75	52.25	60 " x 52.5 "		\$ 937.00	174	\$ 720.00	87
72	52.25	71.75	52.25	72 " x 52.5 "		\$ 1,061.00	209	\$ 800.00	105
84	52.25	83.75	52.25	84 " x 52.5 "		\$ 1,204.00	244	\$ 900.00	122
96	52.25	95.75	52.25	96 " x 52.5 "		\$ 1,348.00	279	\$ 1,000.00	139
108	52.25	107.75	52.25	108 " x 52.5 "		\$ 1,491.00	314	\$ 1,100.00	157
120	52.25	119.75	52.25	120 " x 52.5 "		\$ 1,595.00	348	\$ 1,160.00	174

Sliding Glass Doors

					Open Door Walk through Width				
72	80	71.75	79.75	72.00 " x 80 "	32.75 "	\$ 1,595.00	320	\$ 1,195.00	160
79.5	80	79.25	79.75	79.50 " x 80 "	36.50 "	\$ 1,716.00	353	\$ 1,275.00	177
96	80	95.75	79.75	96.00 " x 80 "	44.75 "	\$ 1,928.00	427	\$ 1,395.00	213
100.5	80	100.25	79.75	100.50 " x 80 "	47.00 "	\$ 2,033.00	447	\$ 1,475.00	223
72	96	71.75	95.50	72.00 " x 96 "	32.75 "	\$ 1,875.00	384	\$ 1,395.00	192
79.5	96	79.25	95.50	79.50 " x 96 "	36.50 "	\$ 2,005.00	424	\$ 1,475.00	212
96	96	95.75	95.50	96.00 " x 96 "	44.75 "	\$ 2,235.00	512	\$ 1,595.00	256
100.5	96	100.25	95.50	100.50 " x 96 "	47.00 "	\$ 2,345.00	536	\$ 1,675.00	268

Glass is the most expensive window component, so some measurements are optimized to the most efficient glass sizes. Each size may be reduced to your specifications. Larger sizes than listed require special quotes. Operable windows are in fact our sliding glass doors, reduced for window dimensions. Prices do not include common carrier freight charges, however, we pass along our huge discount offered by the carriers.

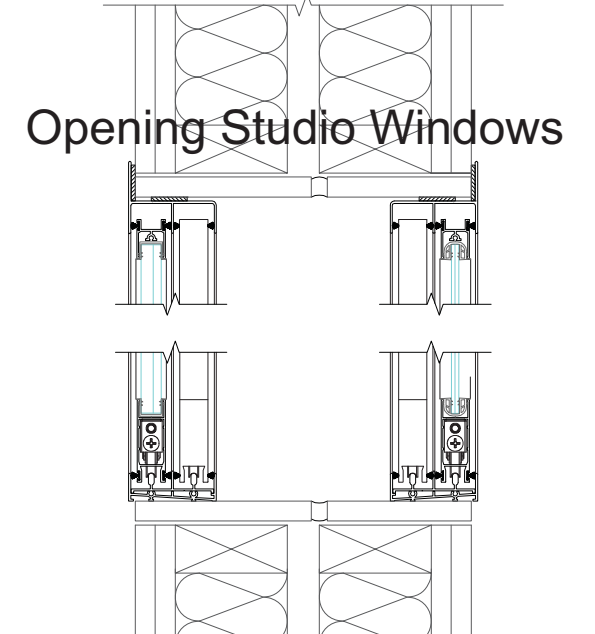
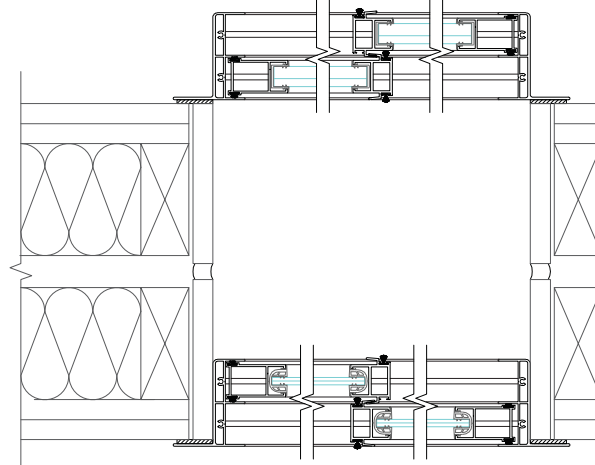
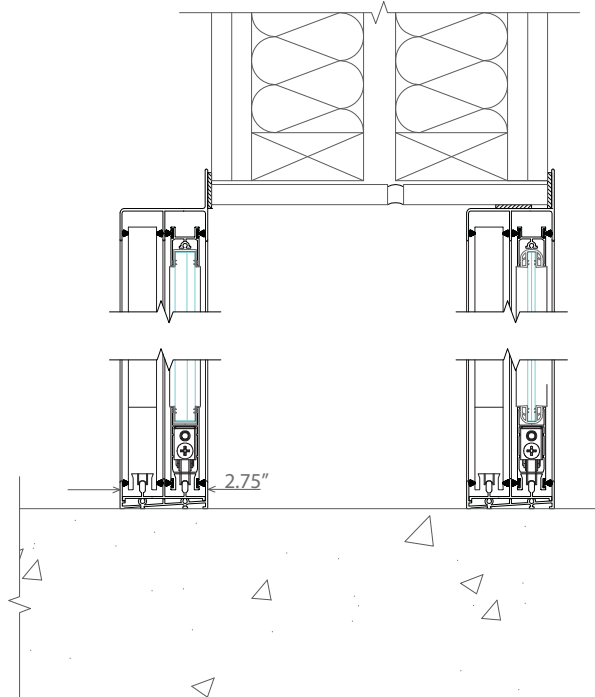
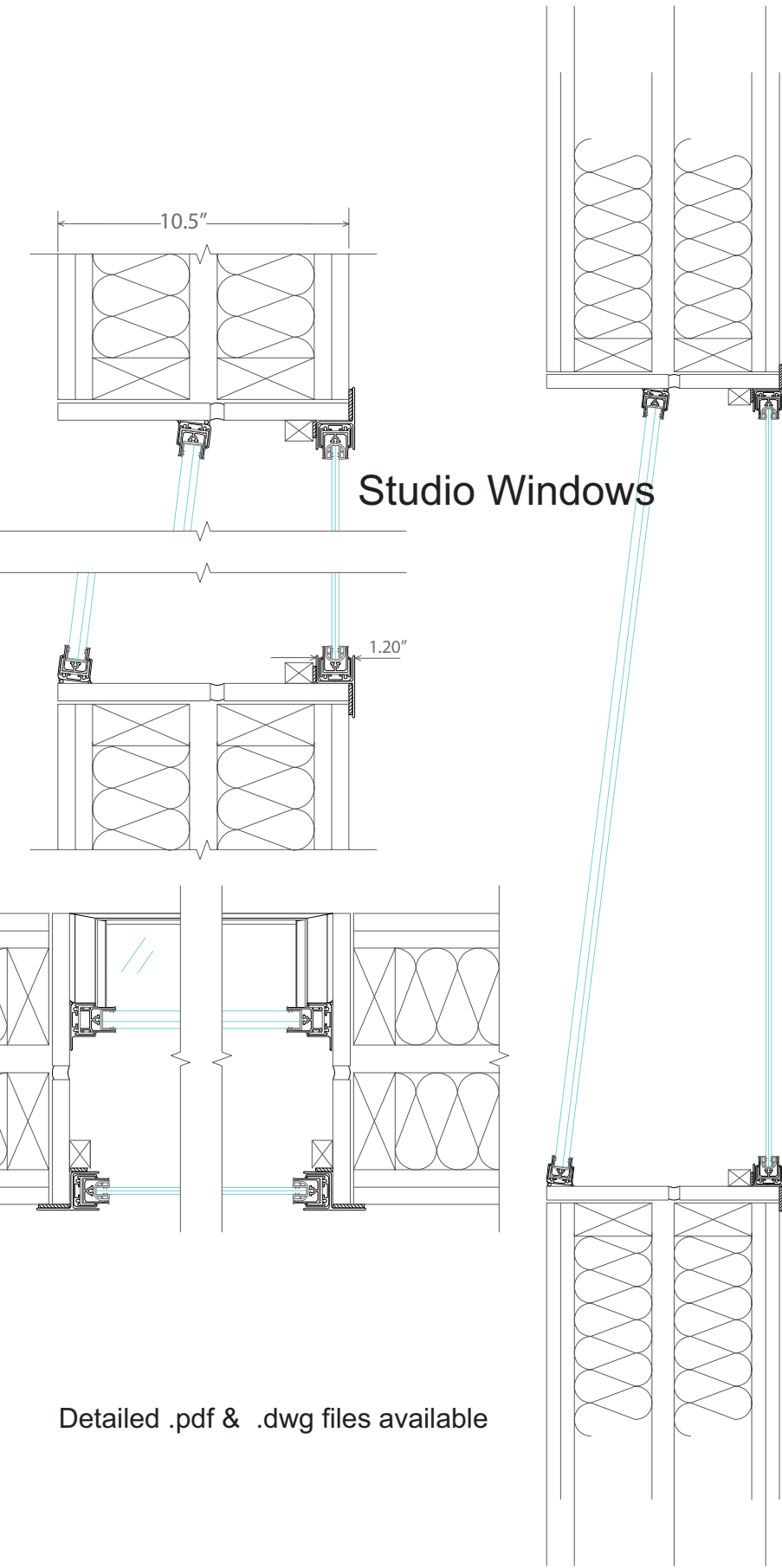
Crating is \$100 first window/door + \$25 for each additional item. F.O.B Reno, NV 89502

Standard colors are white and anodized bronze. Custom colors are available.

See drawings for additional details. All prices are subject to change without notice.

Soundproof Windows 4673 Aircenter Circle. Reno, NV 89502 877.438.7843 fax 877.226.4063 www.soundproofwindows.com

© Soundproof Windows. Copyright 2009. All rights reserved. Proprietary data. May not be copied in full or in part without written permission.



Detailed .pdf & .dwg files available