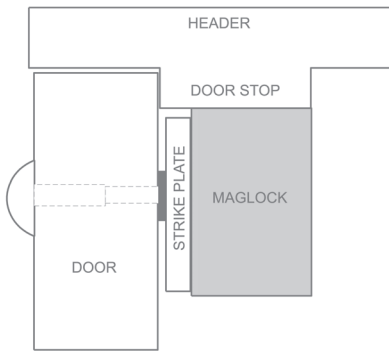




M32 Series - 600lb Holding Force Magnalock®



M32F Shown



Application - 600 lb. holding force Magnalock with automatic dual voltage. Recommended for applications where physical assault on the door is not expected, like access controlled interior rooms and secure areas within buildings.

Features and Benefits

- Patented instant release circuit - no residual magnetism
- Surface mounts easily with a minimum of tools
- Fully sealed electronics - tamper proof and weatherproof
- Mounted using steel machine screws into blind finishing nuts
- Architectural brushed stainless steel finish (US32D/630)
- All ferrous metal surfaces plated to MIL specification
- Hardware accessories available to configure any opening type include mounting brackets, housings and dress covers
- Ten feet [3.05m] of jacketed, stranded conductor
- Lock options include *BondSTAT magnetic bond sensor and integrated door position switch*
- UL Listed

Specification Data

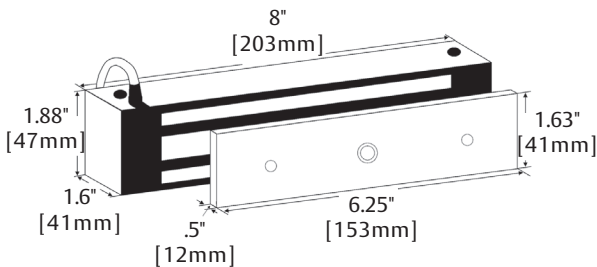
Holding Force: 600 lbs. [272 Kg.]
 Current Draw and Voltage: 300mA at 12VDC; 150mA at 24VDC
 Operating Temperature: -40 to +140F [-40 to +60C]
 Shipping Weight: 6 lbs.
 Warranty: MagnaCare Lifetime Replacement Warranty

How To Order

Part #	Description
M32	Magnalock Model 32
M32F	M32, Face Mount
M32FB	M32, Face Mount, Mag Bond Sensor
M32FBD	M32, Face Mount, Mag Bond Sensor, Door Position Switch
M32FD	M32, Face Mount, Door Position Switch
M32B	M32, Mag Bond Sensor
M32BD	M32, Mag Bond Sensor, Door Position Switch
M32D	M32, Door Position Switch

Optional M32 Brackets & Accessories

Prefix	Description
ASB	Aluminum Spacer Bracket
SFP	Stop Filler Plate
CWB	Concrete Wood Bracket
UHB	Universal Header Bracket
HEB	Header Extension Bracket
GDB	Glass Door Bracket
ZA	Adjustable Z-Bracket Kit
Z	Fixed Z-Bracket Kit
DC	Dress Cover



The M32 requires 2.25 inches of flat mounting space



U.S. Patents:
 #4,516,114 and #4,682,801
 NEMA: 4X IEC: IP 66

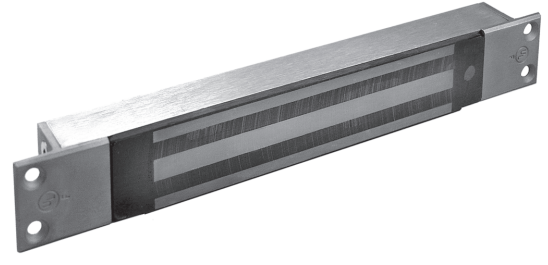
See Magnalock brackets and accessories for the M32 beginning on page 15





M34R 500lb Holding Force Recessed Magnalock[®]

Application - 500 lb. holding force Magnalock with automatic dual voltage for mounting in sliding doors. This results in an aesthetically appealing finished appearance. Recommended for applications where physical assault on the door is not expected, like access controlled interior rooms and secure areas within buildings.

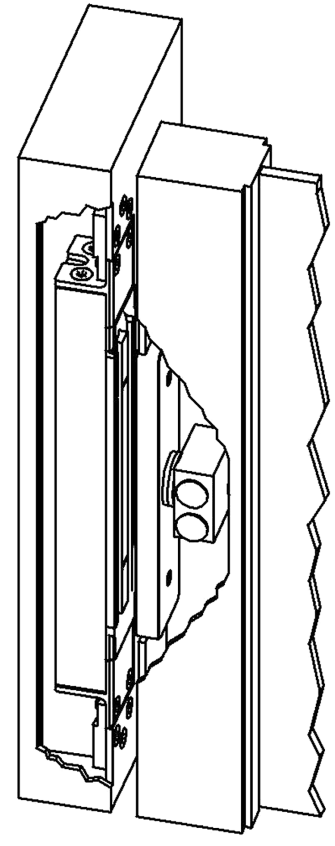


Features and Benefits

- Patented instant release circuit - no residual magnetism
- Recessed for aesthetically appealing finish
- Fully sealed electronics - tamper proof and weatherproof
- Architectural brushed stainless steel finish (US32D/630)
- All ferrous metal surfaces plated to MIL specification
- Ten feet [3.05m] of jacketed, stranded conductor
- Automatic dual voltage - no field adjustment required
- Also available with *BondSTAT magnetic bond sensor*
- UL Listed

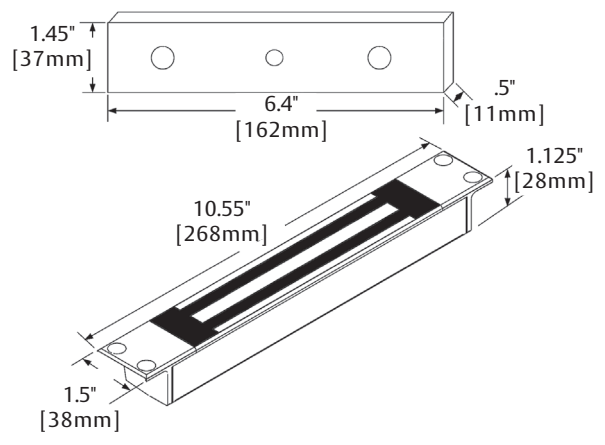
Specification Data

Holding Force: 500 lbs. [227 Kg.]
 Current Draw and Voltage: 350mA at 12VDC; 175mA at 24VDC
 Operating Temperature: -40 to +140F [-40 to +60C]
 Shipping Weight: 5 lbs.
 Warranty: MagnaCare Lifetime Replacement Warranty



How To Order

Part #	Description
M34R	Magnalock Model 34 - Recessed
M34RB	M34 - Recessed, Mag Bond Sensor
M34RD	M34 - Recessed, Door Position Switch
M34RBD	M34 - Recessed, Mag Bond Sensor, Door Position Switch

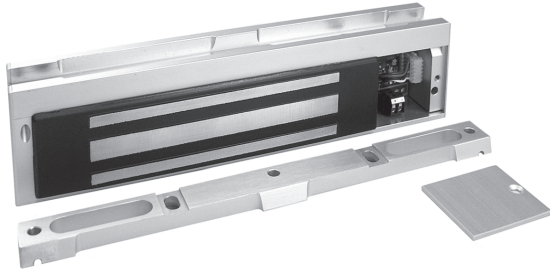


NEMA: 4X IEC: IP 66





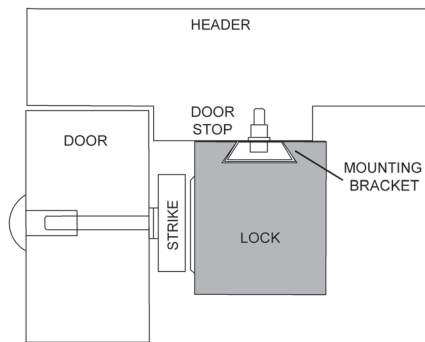
M38 600lb Holding Force Magnalock[®]



Application - 600 lb. holding force Magnalock with automatic dual voltage. This model offers a built-in wire access chamber and bracket mount design for a unique and simplified method of installation. Recommended for applications where physical assault on the door is not expected, like access controlled interior rooms and secure areas within buildings.

Features and Benefits

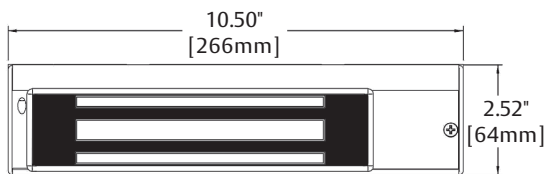
- Patented instant release circuit - no residual magnetism
- Surface mounts easily with mounting bracket using a minimum of tools
- Internal wire access chamber
- Mounted using steel machine screws into blind finishing nuts
- Brushed aluminum finish
- All ferrous metal surfaces plated to MIL specification
- Automatic dual voltage - no field adjustment required
- Dress covers available
- Lock options include Senstat, door position switch, LED indicator and anti-tamper switch
- UL Listed



Specification Data

Holding Force: 600 lbs. [272 Kg.]
 Current Draw and Voltage: 350mA at 12VDC; 175mA at 24VDC
 Operating Temperature: +32 to +110F [0 to +43C]
 Shipping Weight: 8 lbs.
 Warranty: MagnaCare Lifetime Replacement Warranty

How To Order

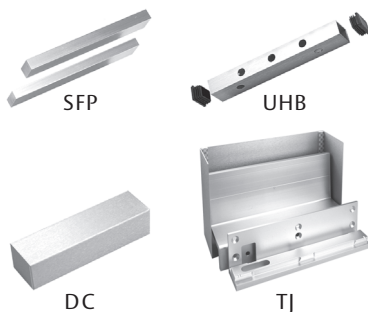


The M38 requires 2.25 inches of flat mounting space



Part #	Description
M38	Magnalock Model 38
M38D	M38, Door Position
M38DL	M38, Door Position, LED
M38DLS	M38, Door Position, LED, Senstat
M38DLST	M38, Door Position, LED, Senstat, Tamper
M38DLT	M38, Door Position, LED, Tamper
M38DS	M38, Door Position, Senstat
M38DST	M38, Door Position, Senstat, Tamper
M38DT	M38, Door Position, Tamper
M38L	M38, LED
M38LS	M38, LED, Senstat
M38LT	M38, LED, Tamper
M38S	M38, Senstat
M38ST	M38, Senstat, Tamper
M38T	M38, Tamper

See page 11 for a full explanation of M38 Lock Options



Optional M38 Brackets & Accessories

Prefix	Description
SFP	Stop Filler Plate
UHB	Universal Header Bracket
DC	Dress Cover
TJ	Top Jamb Kit (inswing)

See Magnalock brackets and accessories for the M38 beginning on page 15





M62 1200lb Holding Force Magnalock[®]

Application - 1200 lb. holding force Magnalock with automatic dual voltage. Recommended for exterior and perimeter doors through which criminals could gain entrance to cause substantial economic loss.

Features and Benefits

- Patented instant release circuit - no residual magnetism
- Fully sealed electronics - tamper proof and weatherproof
- Mounted using steel machine screws into blind finishing nuts
- Architectural brushed stainless steel finish (US32D/630)
- All ferrous metal surfaces plated to MIL specification
- Hardware accessories available to configure any opening type include mounting brackets, housings and dress covers
- Ten feet [3.05m] of jacketed, stranded conductor
- Automatic dual voltage - no field adjustment required
- Lock options include *BondSTAT magnetic bond sensor, integrated door position switch*, conduit fitting, double and face mount models
- Universal threaded conduit fitting is 1/2" female - 3/4" male
- *Split strike plates* and *Offset strike plates* available (see page 11)
- UL Listed

Specification Data

Holding Force: 1,200 lbs. [544 Kg.]
 Current Draw and Voltage: 250mA at 12VDC; 125mA at 24VDC
 Operating Temperature: -40 to +140F [-40 to +60C]
 Shipping Weight: 11 lbs.
 Warranty: MagnaCare Lifetime Replacement Warranty

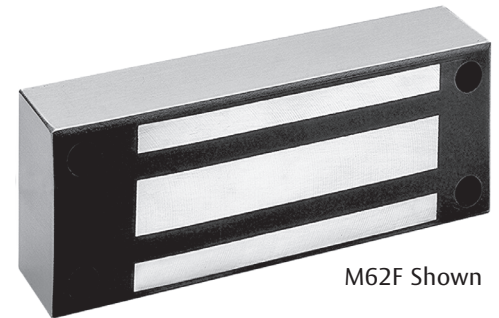
How To Order

Part #	Description
M62	Magnalock Model 62
M62F	M62, Face Mount
M62FG	M62, Face Mount, Conduit
M62FGB	M62, Face Mount, Conduit, Mag Bond Sensor
M62FGBD	M62, Face Mount, Conduit, Bond Sensor, Door Position Switch
M62FGD	M62, Face Mount, Conduit, Door Position Switch
M62FD	M62, Face Mount, Door Position Switch
M62G	M62, Conduit
M62GB	M62, Conduit, Mag Bond Sensor
M62GBD	M62, Conduit, Mag Bond Sensor, Door Position Switch
M62GD	M62, Conduit, Door Position Switch
M62B	M62, Mag Bond Sensor
M62FB	M62, Face Mount, Mag Bond Sensor
M62FBD	M62, Face Mount, Mag Bond Sensor, Door Position Switch
M62BD	M62, Mag Bond Sensor, Door Position Switch
M62D	M62, Door Position Switch

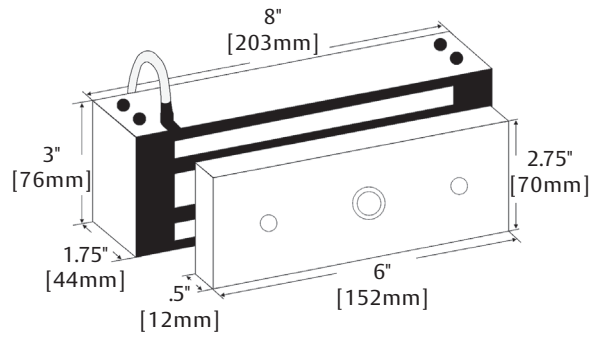
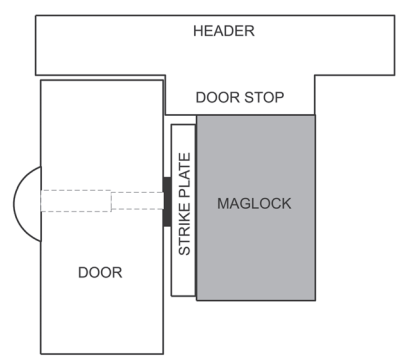
Optional M62 Brackets & Accessories

Prefix	Description	Prefix	Description	Prefix	Description
ASB	Aluminum Spacer Bracket	UHB	Universal Header Bracket	ZA	Adjustable Z-Bracket Kit
SFP	Stop Filler Plate	HEB	Header Extension Bracket	Z	Fixed Z-Bracket Kit
CWB	Concrete Wood Bracket	GDB	Glass Door Bracket	DC	Dress Cover

U.S. Patents:
 #4,516,114 and #4,682,801
 NEMA: 4X IEC: IP 66



M62F Shown



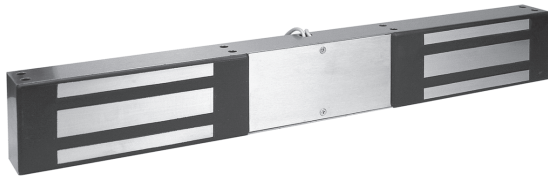
The M62 requires 2.5 inches of flat mounting space



See Magnalock brackets and accessories for the M62 beginning on page 15



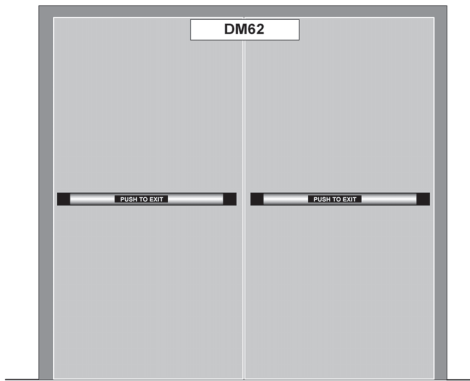
DM62 Double Magnalock®



Application - For double doors without a center mullion, the DM62 supplies two model 62 Magnalocks in a single, brushed stainless steel housing.

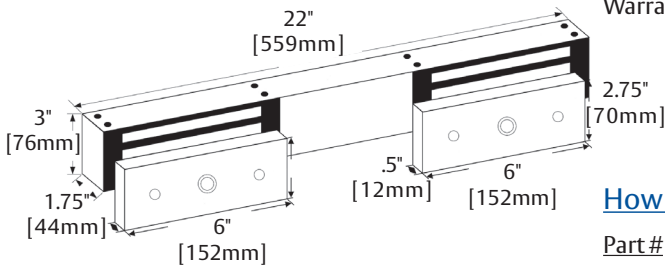
Features and Benefits

- Patented instant release circuit - no residual magnetism
- Electrically, both locks can be controlled as one or separately
- Surface mounts easily with a minimum of tools
- Fully sealed electronics - tamper proof and weather proof
- Mounted using steel machine screws into blind finishing nuts
- Architectural brushed stainless steel finish (US32D/630)
- All ferrous metal surfaces plated to MIL specification
- Ten feet [3.05m] of jacketed, stranded conductor for each lock
- Automatic dual voltage - no field adjustment required
- Also available with *BondSTAT magnetic bond sensor*



Specification Data

Holding Force: 1,200 lbs. [544 Kg.] per lock
 Current Draw and Voltage: 250mA at 12VDC; 125mA at 24VDC per lock
 Operating Temperature: -40 to +140F [-40 to +60C]
 Shipping Weight: 16 lbs.
 Warranty: MagnaCare LifetimeReplacement Warranty



The DM62 requires 2.5 inches of flat mounting space

How To Order

Part #	Description
DM62	Double Magnalock Model DM62
DM62-OS	DM62 Double Magnalock, Offset Strike
DM62B	DM62 Double Magnalock, Mag Bond Sensor
DM62B-OS	DM62 Double Magnalock, Mag Bond Sensor, Offset Strike
DM62BD	DM62 Double Magnalock, Mag Bond Sensor, Door Position Switch
DM62D	DM62 Double Magnalock, Door Position Switch

NOTES: (Opposite page) An offset strike may be required for proper installation of the M62 in aluminum frame door applications. See M62 offset and split strikes Magnalocks on page 11

A pair of Offset strikes may be required for proper installation of the DM62 in aluminum frame door applications.



M68 Series 1200lb Holding Force Magnalock[®]

Application - 1200 lb. holding force Magnalock with automatic dual voltage. This model offers a built-in wire access chamber and new bracket mount design for a unique method of installation. Recommended for interior and perimeter doors through which criminals could gain entrance to cause substantial economic loss.

Features and Benefits

- Patented instant release circuit - no residual magnetism
- Surface mounts easily with mounting bracket using a minimum of tools
- Internal wire access chamber
- Mounted using steel machine screws into blind finishing nuts
- Brushed aluminum finish
- All ferrous metal surfaces plated to MIL specification
- Automatic dual voltage - no field adjustment required
- Dress covers available
- Lock options include door position switch, LED indicator and anti-tamper switch
- UL Listed

Specification Data

Holding Force: 1200 lbs. [544 Kg.]

Current Draw and Voltage: 300-325mA (options) at 12VDC
150-175mA (options) at 24VDC

Operating Temperature: +32 to +110F [0 to +43C]

Shipping Weight: 13 lbs.

Warranty: MagnaCare Lifetime Replacement Warranty

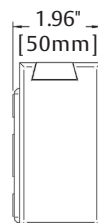
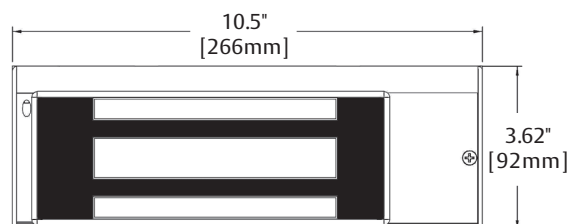
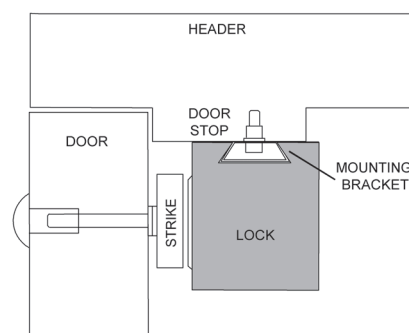
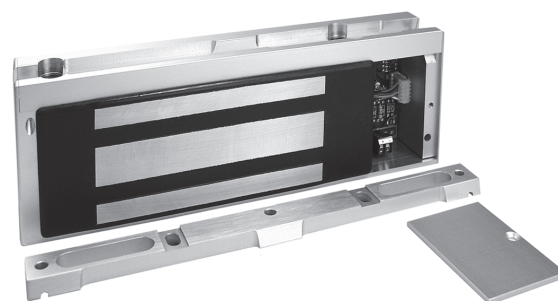
How To Order

Part #	Description
M68	Magnalock Model M68
M68D	M68, Door Position
M68DL	M68, Door Position, LED
M68DLS	M68, Door Position, LED, Senstat
M68DLST	M68, Door Position, LED, Senstat, Tamper
M68DLT	M68, Door Position, LED, Tamper
M68DS	M68, Door Position, Senstat
M68DST	M68, Door Position, Senstat, Tamper
M68DT	M68, Door Position, Tamper
M68L	M68, LED
M68LS	M68, LED, Senstat
M68LT	M68, LED, Tamper
M68S	M68, Senstat
M68ST	M68, Senstat, Tamper
M68T	M68, Tamper

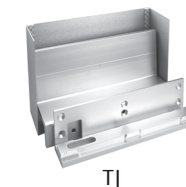
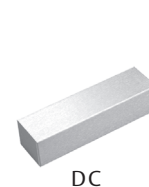
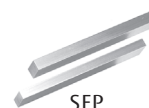
Optional M68 Brackets & Accessories

Prefix	Description
SFP	Stop Filler Plate
UHB	Universal Header Bracket
DC	Dress Cover
TJ	Top Jamb Kit (inswing)

NOTE: An offset strike may be required for proper installation of the M68 in aluminum frame door applications. See M68 offset strikes on next page



The M68 requires 2.25 inches of flat mounting space



See Magnalock brackets and accessories for the M68 beginning on page 15



How To Order - M68 Offset Strike

Part #	Description
M68-OS	M68, Offset Strike
M68D-OS	M68, Door Position, Offset Strike
M68DL-OS	M68, Door Position, LED, Offset Strike
M68DLS-OS	M68, Door Position, LED, Senstat, Offset Strike
M68DLST-OS	M68, Door Position, LED, Senstat, Tamper, Offset Strike
M68DLT-OS	M68, Door Position, LED, Tamper, Offset Strike
M68DS-OS	M68, Door Position, Senstat, Offset Strike
M68DST-OS	M68, Door Position, Senstat, Tamper, Offset Strike
M68DT-OS	M68, Door Position, Tamper, Offset Strike
M68L-OS	M68, LED, Offset Strike
M68LS-OS	M68, LED, Senstat, Offset Strike
M68LT-OS	M68, LED, Tamper, Offset Strike
M68S-OS	M68, Senstat, Offset Strike
M68ST-OS	M68, Senstat, Tamper, Offset Strike
M68T-OS	M68, Tamper, Offset Strike

How To Order - M68 Split Strike

Part #	Description
M68-SS	M68, Split Strike
M68L-SS	M68, LED, Split Strike
M68LS-SS	M68, LED, Senstat, Split Strike
M68LT-SS	M68, LED, Tamper, Split Strike
M68S-SS	M68, Senstat, Split Strike
M68ST-SS	M68, Senstat, Tamper, Split Strike
M68T-SS	M68, Tamper, Split Strike

How To Order - M62 Offset Strike

Part #	Description
M62-OS	M62, Offset Strike
M62F-OS	M62, Face Mount, Offset Strike
M62FG-OS	M62, Face Mount, Conduit, Offset Strike
M62FGB-OS	M62, Face Mount, Conduit, Mag Bond Sensor, Offset Strike
M62G-OS	M62, Conduit, Offset Strike
M62GB-OS	M62, Conduit, Mag Bond Sensor, Offset Strike
M62B-OS	M62, Mag Bond Sensor, Offset Strike
M62FB-OS	M62, Face Mount, Mag Bond Sensor, Offset Strike

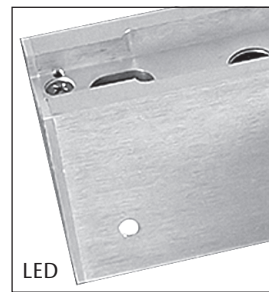
How To Order - M62 Split Strike

Part #	Description
M62-SS	M62, Split Strike
M62G-SS	M62, Conduit, Split Strike
M62GB-SS	M62, Conduit, Mag Bond Sensor, Split Strike
M62B-SS	M62, Mag Bond Sensor, Split Strike

M38 and M68 Options and Upgrade Kits



SENSTAT: The Senstat option provides a lock status sensing signal which positively indicates that the door is secure. This interfaces with access control or alarm systems and is superior to the commonly used door position switch which indicates that the door is closed but not that it is secure. All Senstat Magnalocks use Form 'C' isolated contacts. Order at left, or pp. 7 or 10.



LED: The LED extends through the back of the M38 or M68 Magnalock to give visual status of the lock. On locks with the Senstat option the LED will be green when the lock is powered but not secure and red when the lock is secure. Locks without the Senstat option will only indicate green when powered. Order at left, or pp. 7 or 10.



DOOR POSITION: The DPS Door Position Switch can be used to provide a remote signal indicating if the door is open or closed. Typically used for auto relock with an access control system. Order at left or pp. 7 or 10. To add this upgrade kit to existing M38 or M68 locks, choose part number M38/68D-KIT.



ANTI-TAMPER SENSOR: The Anti-Tamper Switch option provides an SPDT switch output that will indicate if the wire access chamber cover has been tampered with or removed. Typically would be connected to an alarm point on an alarm panel or access control system. Order at left, or pp. 7 or 10. To add this upgrade kit to existing M38 or M68 locks, choose part # M38T-KIT or M68T-KIT.

See page 15 for Offset and Split Strikes only



M82 1800lb Holding Force Magnalock[®]

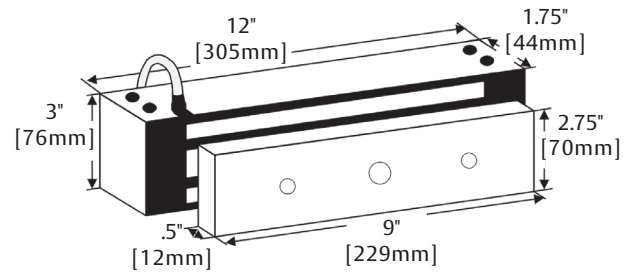
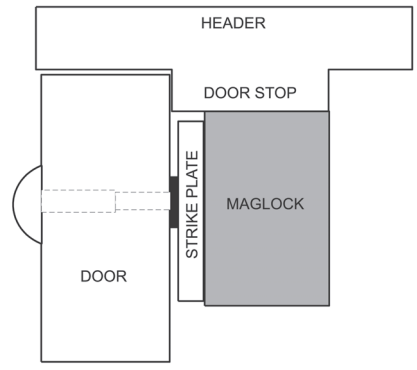
Application - 1800 lb. holding force Magnalock with automatic dual voltage and magnetic bond sensing function standard. Preferred by prisons and detention facilities, and also functions best on large, high security gates.



M82FB Shown

Features and Benefits

- Patented instant release circuit - no residual magnetism
- Surface mounts easily with a minimum of tools
- Fully sealed electronics - tamper proof and weatherproof
- Mounted using steel machine screws into blind finishing nuts
- Architectural brushed stainless steel finish (US32D/630)
- All ferrous metal surfaces plated to MIL specification
- Hardware accessories available to configure any opening type include mounting brackets, housings and dress covers
- Ten feet [3.05m] of jacketed, stranded conductor
- Automatic dual voltage - no field adjustment required
- *BondSTAT magnetic bond sensor* standard
- Also available with *integrated door position switch*, conduit and face mount models
- Universal threaded conduit fitting is 1/2" female - 3/4" male
- UL Listed



The M82 requires 2.5 inches of flat mounting space

Specification Data

Holding Force: 1,800 lbs. [816 Kg.]
 Current Draw and Voltage: 350mA at 12VDC; 175mA at 24VDC
 Operating Temperature: -40 to +140F [-40 to +60C]
 Shipping Weight: 16 lbs.
 Warranty: MagnaCare Lifetime Replacement Warranty

NOTE: An offset strike may be required for proper installation of the M82 in aluminum frame door applications. See offset strikes on page 15.

How To Order

Part #	Description
M82B	Magnalock Model 82, Mag Bond Sensor
M82BD	M82, Mag Bond Sensor, Door Position Switch
M82B-OS	M82, Mag Bond Sensor, Offset Strike
M82B-SS	M82, Mag Bond Sensor, Split Strike
M82FB	M82, Face Mount, Mag Bond Sensor
M82FBD	M82, Face Mount, Mag Bond Sensor, Door Position Switch
M82FGB	M82, Face Mount, Conduit, Mag Bond Sensor
M82FGBD	M82, Face Mount, Conduit, Mag Bond Sensor, Door Position Switch
M82GB	M82, Conduit, Mag Bond Sensor
M82GBD	M82, Conduit, Mag Bond Sensor, Door Position Switch
M82GB-OS	M82, Conduit, Mag Bond Sensor, Offset Strike
M82GB-SS	M82, Conduit, Mag Bond Sensor, Split Strike

Optional M82 Brackets & Accessories



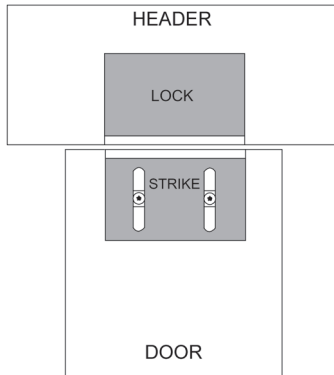
U.S. Patents:
 #4,516,114 and #4,682,801
 NEMA: 4X IEC: IP 66



See Magnalock brackets and accessories for the M82 beginning on page 15



SAM-Shear Aligning Magnalock®



Application - 1200 lb. holding force Shear Aligning Magnalock mounts fully concealed into wood, steel or aluminum doors. SAM can also be installed in any position on the door - top, side or bottom and is ideal for swing through and sliding doors.

Features and Benefits

- Patented instant release circuit - no residual magnetism
- Mounts easily with a minimum of tools
- Fully sealed electronics - tamper proof and weatherproof
- Mounted using steel machine screws
- Architectural brushed stainless steel finish (US32D/630)
- All ferrous metal surfaces plated to MIL specification
- Hardware accessories available to configure any opening type including mounting brackets
- Ten feet [3.05m] of jacketed, stranded conductor
- Automatic dual voltage - no field adjustment required
- Lock options include *BondSTAT* magnetic bond sensor and integrated door position switch
- UL Listed

Specification Data

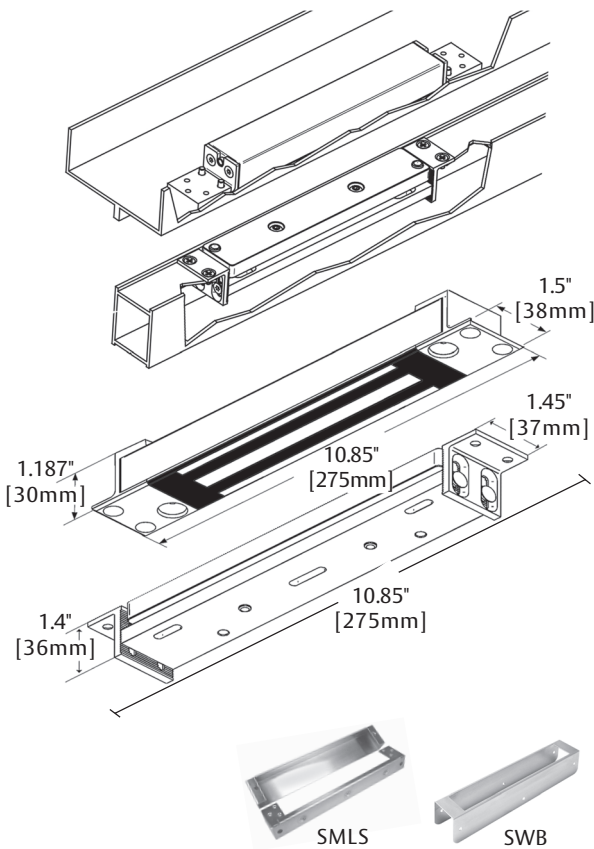
Holding Force: 1,200 lbs. [544 Kg.]
 Current Draw and Voltage: 350mA at 12VDC; 175mA at 24VDC
 Operating Temperature: -40 to +140F [-40 to +60C]
 Shipping Weight: 6 lbs.
 Warranty: MagnaCare Lifetime Replacement Warranty

How To Order

Part #	Description
SAM	Shear Aligning Magnalock
SAMB	SAM, Mag Bond Sensor
SAMBD	SAM, Mag Bond Sensor, Door Position Switch
SAMBN	SAM, Mag Bond Sensor, Narrow Strike Plate
SAMD	SAM, Door Position Switch
SAMN	SAM, Narrow Strike Plate

Optional SAM Brackets & Accessories

Prefix	Description
SMLS	Surface Mount Lock Housing
SMSS	Surface Mount Strike Housing
SWB	SAM Wood Bracket



See Magnalock brackets and accessories for the SAM beginning on page 15

U.S. Patents:
 #6,007,119, #6,135,515
 NEMA: 4X IEC: IP 66





SAM2-24 Shear Aligning Magnalock®

Application - 600 lb. holding force Shear Aligning Magnalock mounts fully concealed and is ideal for smaller applications, like cabinet doors and sliding closet doors. 24VDC only.

Features and Benefits

- Instant release circuit - no residual magnetism
- Mounts easily with a minimum of tools
- Fully sealed electronics - tamper proof and weatherproof
- Mounted using steel machine screws
- Architectural brushed stainless steel finish (US32D/630)
- All ferrous metal surfaces plated to MIL specification
- Six feet [1.8m] of jacketed, stranded conductor
- Smaller dimensions for difficult installation areas
- UL Listed

Specification Data

Holding Force: 600 lbs. [272 Kg.]
 Current Draw and Voltage: 62mA at 24VDC only
 Operating Temperature: -40 to +140F [-40 to +60C]
 Shipping Weight: 2.5 lbs.
 Warranty: MagnaCare Lifetime Replacement Warranty

How To Order

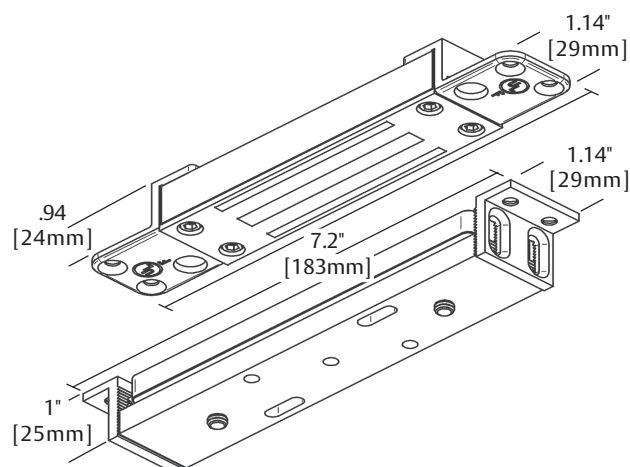
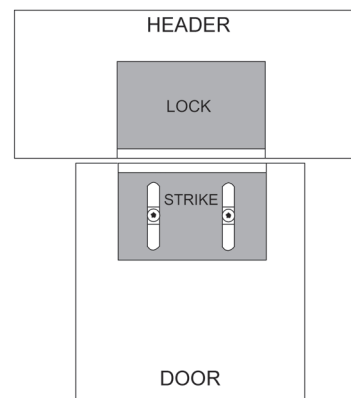
Part #	Description
SAM2-24	SAM2 Magnalock 24VDC

U.S. Patents:
 #6,007,119, #6,135,515
 NEMA: 4X IEC: IP 66



Magnalock Patents, Approvals and Listings

- Patent Numbers: #4,682,801, #6,135,515, #6,007,119
- BondSTAT Magnetic Bond Sensor - Patent Pending
- Underwriter's Laboratories (US and Canada): Files SA6635, BP7041 and R13976
- UL 10B & UL 10C, UL 294 & NFPA 101
- California State Fire Marshal: 3774-0923:101
- City of New York MEA: 251-95E & 254-95E
- CE: EN 50081-1 (92) & EN 61000-6-2 (99)
- TUV (Germany): 951063246890009 Baumuster Gopruft





Magnalock® Brackets & Accessories

(IK) Installation Kit

Securiton's original Installation kit includes the following components:



SDG-1	Heavy Duty Drill Guide	TL-1	Threadlock
BPT-2	Blind Nut Placement Tool	COD-125	1/8" Cobalt Drill Bit
SB-1	Sex Bolt- 32/62/82	COD-375	3/8" Cobalt Drill Bit
SD-375	T-Handle Hex Wrench	CAD-375	3/8" Carbide Drill Bit
SEP-1	Hardware Pack- 62/82	HS-500	1/2" High Speed Drill Bit
SEP-2	Hardware Pack- 32	BN-250	Blind Nuts
RW-1	Rubber Washers	FC-1	Finish Caps
FW-1	Flat Washers	700-20095	Long Screw Pack
ICC-1	Insulated Crimpers	910-70050	Product Installation CD

IK Magnalock Installation Kit

(IK2) Condensed Installation Kit

Just the essentials...

SDG-1	Heavy Duty Drill Guide
BPT-2	Blind Nut Placement Tool
TL-1	Threadlock
BN-250	Blind Nuts
910-70050	Product Installation CD



IK2 Magnalock Condensed Installation Kit

The complete IK and IK2 kits offer substantial savings over purchasing the same items separately

NOTE: All IK components are available separately (see price list)



Offset Strikes

- Available for the 62, 68 and 82 Magnalocks
- Alters the position of the mounting hole by 1/4" [6mm]. This is often required to clear the glass on aluminum frame store front doors.

Part numbers shown here are for strikes ONLY.

AOS-62	Replacement 1/4" Offset Strike - M62, DM62 (X2), M68
AOS-82	Replacement 1/4" Offset Strike - M82

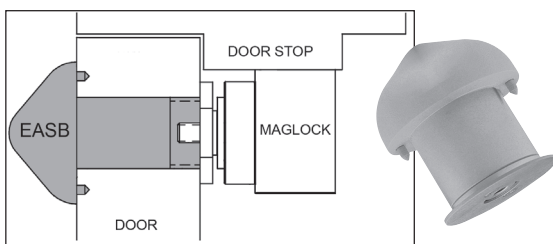


Split Strikes

- Allow a single M32, M38, M62, M68 or M82 Magnalock to secure a double door at traffic control holding force level.

Part numbers shown here are for strikes ONLY.

ASS-32	Replacement Split Strike Set - M32, M38 (3" x 1.62" each side)
ASS-62	Replacement Split Strike Set - M62, M68 (3" x 2.75" each side)
ASS-82	Replacement Split Strike Set - M82 (4.25" x 2.75" each side)



(EASB) Energy Absorbing Sex Bolt

- For high security applications on inflexible doors
- Replaces the standard sex bolt
- Contains a powerful internal spring to absorb and dissipate the force of a blow

EASB-32	Sex Bolt, Energy Absorbing M32
EASB-62	Sex Bolt, Energy Absorbing M62/M68
EASB-82	Sex Bolt, Energy Absorbing M82

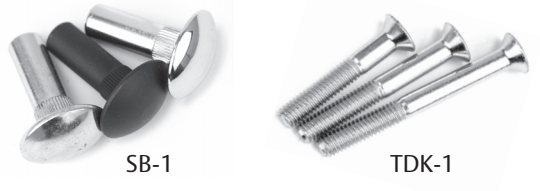
U.S. Patent:
#5,578,913



SB-1 Replacement Sex Bolt and TDK-1 Thick Door Kit

- Thick Door Kit for the SB-1 Sex Bolt (used on M32, M38, M62, M68 and M82B Maglocks) allows the SB-1 to be used on doors thicker than 1-3/4" up to 3"

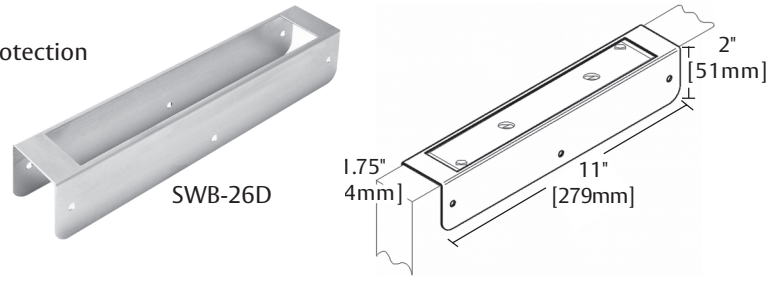
- SB-1 Sex Bolt - Replacement, Clear
- SB-1-03 Sex Bolt - Replacement, Polished Brass
- SB-1-10B Sex Bolt - Replacement, Oil Rubbed Bronze
- TDK-1 Thick Door Kit



(SWB) SAM Wood Bracket

- SAM Wood Door Bracket provides additional strength and protection for the SAM strike plate in wood door applications

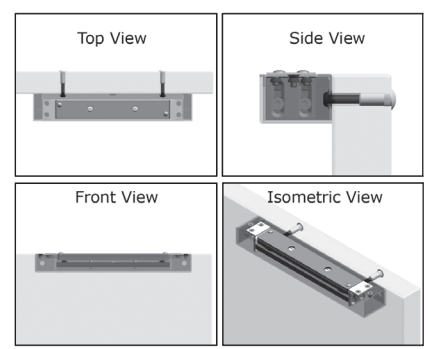
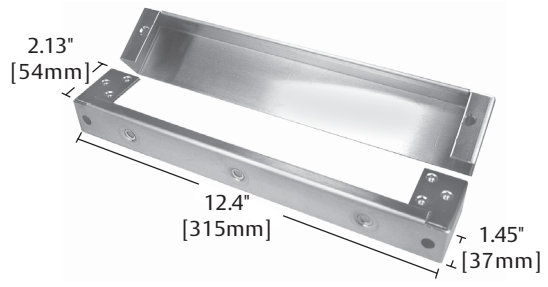
- SWB-26D SAM Wood Door Bracket, Clear
- SWB-10B SAM Wood Door Bracket, Oil Rubbed Bronze
- SWB-03 SAM Wood Door Bracket, Polished Brass



SWB finishes shown on page XX

SAM Surface Mount Kit

- For specialty applications
- Permits the SAM magnet, strike, or both to be surface mounted when mortising is not possible
- Stainless Steel

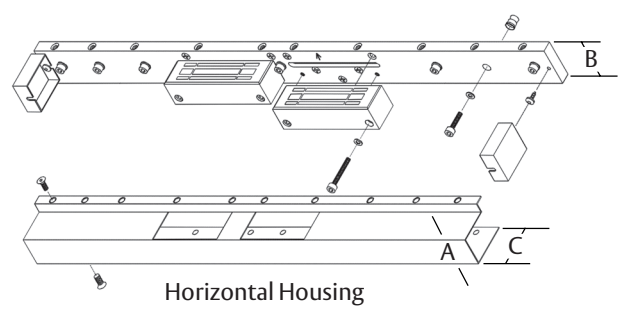


- SMLS Surface Mount Lock Housing
- SMSS Surface Mount Strike Housing

Full Length Housings

- Vertical or horizontal configurations
- Fit one or two locks (not included)
- SLR = single left hand reverse
- SRR = single right hand reverse

- HHH-32 Full Length Housing M32 Dbl. Horizontal
- HHH-62 Full Length Housing M62 Dbl. Horizontal
- HHH-82 Full Length Housing M82 Dbl. Horizontal
- HHSL-32 Full Length Housing M32 SLR Horizontal
- HHSL-62 Full Length Housing M62 SLR Horizontal
- HHSL-82 Full Length Housing M82 SLR Horizontal
- HHSR-32 Full Length Housing M32 SRR Horizontal
- HHSR-62 Full Length Housing M62 SRR Horizontal
- HHSR-82 Full Length Housing M82 SRR Horizontal
- HVD-32 Full Length Housing M32 Dbl. Vertical
- HVD-62 Full Length Housing M62 Dbl. Vertical
- HVD-82 Full Length Housing M82 Dbl. Vertical



Model	A	B	C	Max Length
HHH-32	1.75"	2.1"	2.35"	* - 96"
HHH-62	2.1"	2.6"	3.5"	* - 96"
HHH-82	2.1"	2.6"	3.5"	* - 96"

HHSL-32	1.75"	2.1"	2.35"	* - 48"
HHSL-62	2.1"	2.6"	3.5"	* - 48"
HHSL-82	2.1"	2.6"	3.5"	* - 48"

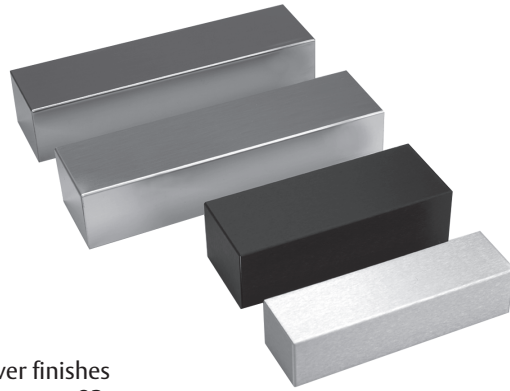
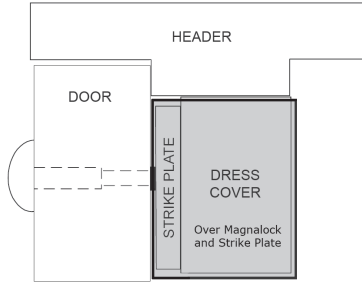
HHSR-32	1.75"	2.1"	2.35"	* - 48"
HHSR-62	2.1"	2.6"	3.5"	* - 48"
HHSR-82	2.1"	2.6"	3.5"	* - 48"

HVD-32	1.75"	2.1"	2.35"	* - 96"
HVD-62	2.1"	2.6"	3.5"	* - 96"
HVD-82	2.1"	2.6"	3.5"	* - 96"

"*" indicates maximum available length

NOTE: Full length housings are individually made at the factory to customer specifications

Reference the table at right when ordering



Dress Cover finishes shown on page 83

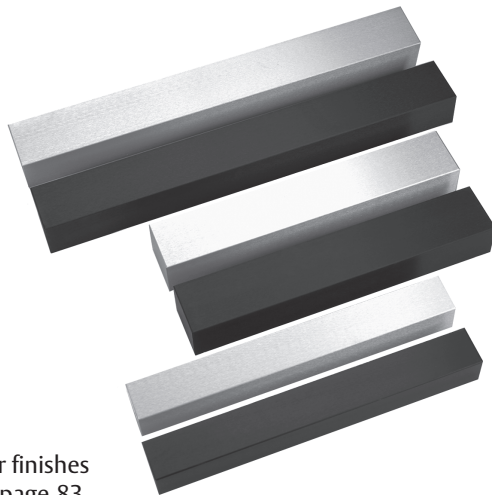
(DC) Dress Covers

- Available for the M32, M38, M62, M68 and M82
- Install using foam adhesive
- M32, M62 and M82 available in four finishes

DC-32CL	Dress Cover	M32 Clear
DC-32BK	Dress Cover	M32 Black
DC-32SP	Dress Cover	M32 Stainless Polished
DC-32BP	Dress Cover	M32 Brass Polished
DC-38BK	Dress Cover	M38 Black
DC-38SP	Dress Cover	M38 Stainless Polished
DC-38BP	Dress Cover	M38 Brass Polished
DC-62CL	Dress Cover	M62 Clear
DC-62BK	Dress Cover	M62 Black
DC-62SP	Dress Cover	M62 Stainless Polished
DC-62BP	Dress Cover	M62 Brass Polished
DC-68BK	Dress Cover	M68 Black
DC-68SP	Dress Cover	M68 Stainless Polished
DC-68BP	Dress Cover	M68 Brass Polished
DC-82CL	Dress Cover	M82 Clear
DC-82BK	Dress Cover	M82 Black
DC-82SP	Dress Cover	M82 Stainless Polished
DC-82BP	Dress Cover	M82 Brass Polished

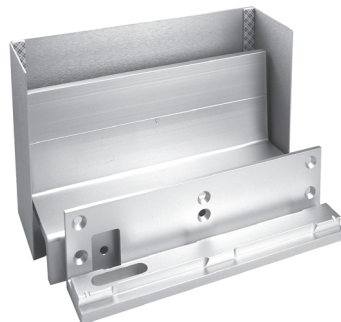
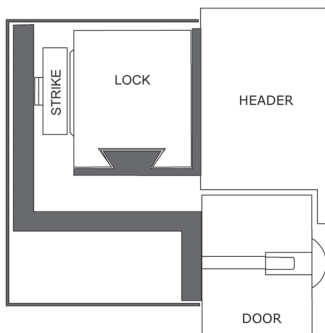
(DDC) Double Dress Covers

- Available in two finishes
- Will cover a pair of Magnalocks on a double door (if they are separated by not more than 2")
- Not for use with the DM62 Magnalock



Dress Cover finishes shown on page 83

DDC-32CL	Double Dress Cover	M32 Clear
DDC-32BK	Double Dress Cover	M32 Black
DDC-62CL	Double Dress Cover	M62 Clear
DDC-62BK	Double Dress Cover	M62 Black
DDC-82CL	Double Dress Cover	M82 Clear
DDC-82BK	Double Dress Cover	M82 Black



(TJ) M38/M68 Inswing Door Kit - Top Jamb

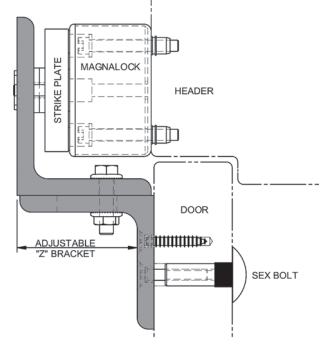
- Used to mount the M38 or M68 lock on the secure side of a door that swings into a secured area
- Includes a Z Bracket and Dress Cover

TJ-38CL	Inswing Door Kit	M38 Clear
TJ-38BK	Inswing Door Kit	M38 Black
TJ-68CL	Inswing Door Kit	M68 Clear
TJ-68BK	Inswing Door Kit	M68 Black



(ZA) Z Bracket Kits - Adjustable

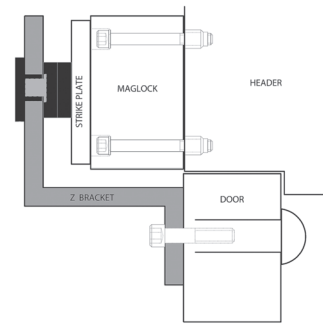
- Used on inswing doors with the "F" type Magnalock 8.5" overall length
- Provides 1" of lateral movement to accommodate most openings and allows for precision adjustments (2-1/16" to 3-1/16" from door/header)
- Includes a dress cover



- ZA-32/62CL Adjustable Z Bracket M32/M62 Clear
- ZA-32/62BK Adjustable Z Bracket M32/M62 Black
- ZA-32/62SS Adjustable Z Bracket M32/M62 Stainless Steel
- ZA-82CL Adjustable Z Bracket M82 Clear
- ZA-82BK Adjustable Z Bracket M82 Black
- ZA-82SS Adjustable Z Bracket M82 Stainless Steel

(Z) Z Bracket Kits - Fixed

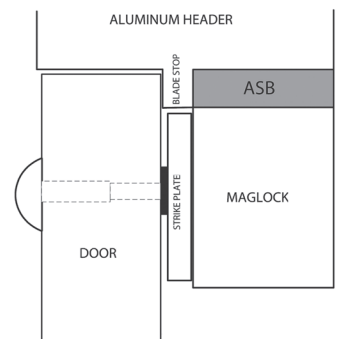
- Used on inswing doors with the "F" type Magnalock 8-3/8" length
- Includes a dress cover



- Z-32CL Z-Bracket M32 Clear Cover
- Z-32BK Z Bracket M32 Black Cover
- Z-32SS Z Bracket M32 Stainless Steel Cover
- Z-62CL Z Bracket M62 Clear Cover
- Z-62BK Z Bracket M62 Black Cover
- Z-62SS Z Bracket M62 Stainless Steel Cover
- Z-82CL Z Bracket M82 Clear Cover
- Z-82BK Z Bracket M82 Black Cover
- Z-82SS Z Bracket M82 Stainless Steel Cover

(ASB) Aluminum Spacer Bracket

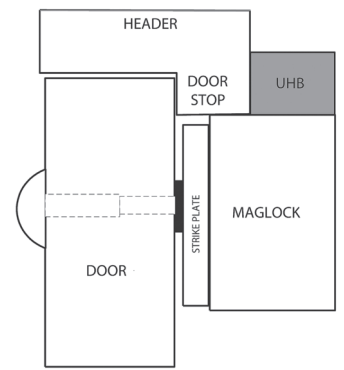
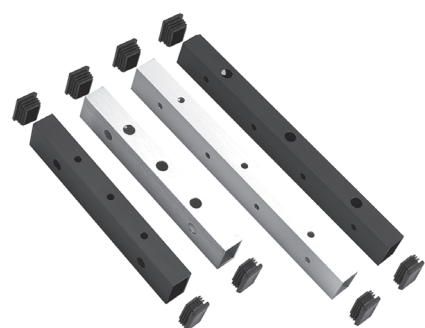
- Used when a blade stop requires the Magnalock to be lowered
- Comes pre-drilled (lock specific) for the mounting bolts and wire
- Provides a blind nut for surface installation of strike



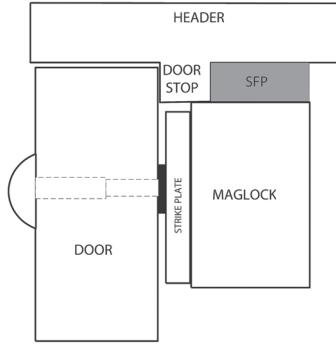
- ASB-32CL Alum Spacer Bracket M32 Clear - 8"
- ASB-32BK Alum Spacer Bracket M32 Black - 8"
- ASB-62CL Alum Spacer Bracket M62 Clear - 8"
- ASB-62BK Alum Spacer Bracket M62 Black - 8"
- ASB-82CL Alum Spacer Bracket M82 Clear - 12"
- ASB-82BK Alum Spacer Bracket M82 Black - 12"

(UHB) Universal Header Bracket

- Use to extend the header from 1 to 1-1/2" inches
- Provides a concealed wiring chamber



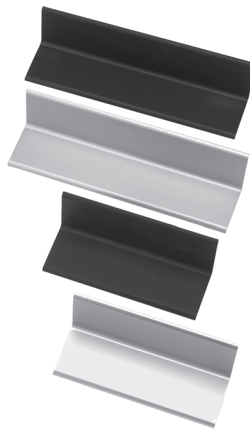
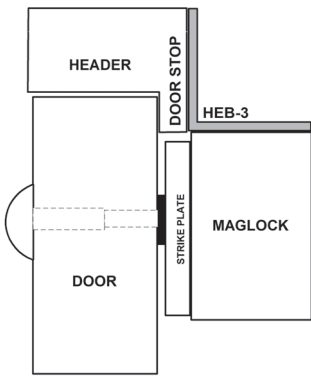
- UHB-CL-8 Universal Header Bracket Clear - 9-1/2"
- UHB-BK-8 Universal Header Bracket Black - 9-1/2"
- UHB-CL-12 Universal Header Bracket Clear - 13-1/2"
- UHB-BK-12 Universal Header Bracket Black - 13-1/2"



(SFP) Stop Filler Plate

- Used to fill or extend a door stop
- Creates a flat mounting surface for the maglock
- Available in 1/4", 3/8", 1/2", and 5/8" inch thickness, all 1-1/4" wide

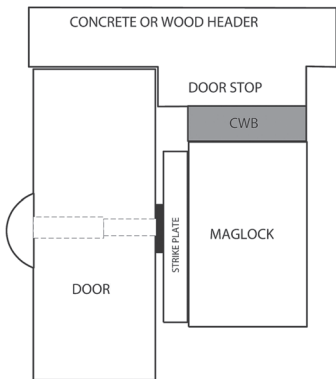
SFP-1/4CL-8	SFP 1/4" Clear - 8"	SFP-1/4CL-12	SFP 1/4" Clear - 12"
SFP-1/4BK-8	SFP 1/4" Black - 8"	SFP-1/4BK-12	SFP 1/4" Black - 12"
SFP-3/8CL-8	SFP 3/8" Clear - 8"	SFP-3/8CL-12	SFP 3/8" Clear - 12"
SFP-3/8BK-8	SFP 3/8" Black - 8"	SFP-3/8BK-12	SFP 3/8" Black - 12"
SFP-1/2CL-8	SFP 1/2" Clear - 8"	SFP-1/2CL-12	SFP 1/2" Clear - 12"
SFP-1/2BK-8	SFP 1/2" Black - 8"	SFP-1/2BK-12	SFP 1/2" Black - 12"
SFP-5/8CL-8	SFP 5/8" Clear - 8"	SFP-5/8CL-12	SFP 5/8" Clear - 12"
SFP-5/8BK-8	SFP 5/8" Black - 8"	SFP-5/8BK-12	SFP 5/8" Black - 12"



(HEB) Header Extension Bracket

- 90 degree angle brackets
- Extends narrow headers to permit proper mounting of Magnalocks
- Available in clear aluminum or black anodized

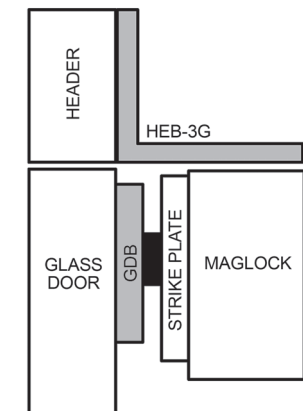
HEB-3CL-8	Header Ext. Bracket 3" Clear - 8"
HEB-3BK-8	Header Ext. Bracket 3" Black - 8"
HEB-3CL-12	Header Ext. Bracket 3" Clear - 12"
HEB-3BK-12	Header Ext. Bracket 3" Black - 12"



(CWB) Concrete Wood Bracket

- Used on wood or concrete filled metal frames
- Provides a concealed wire chamber
- Easier than blind nuts in some cases

CWB-32CL	Concrete/Wood Bracket M32 Clear - 8"
CWB-32BK	Concrete/Wood Bracket M32 Black - 8"
CWB-62CL	Concrete/Wood Bracket M62 Clear - 8"
CWB-62BK	Concrete/Wood Bracket M62 Black - 8"
CWB-82CL	Concrete/Wood Bracket M82 Clear - 12"
CWB-82BK	Concrete/Wood Bracket M82 Black - 12"



(HEB-3G, GDB, AKG) Header Extension Bracket, Glass Door Bracket and Adhesive Kit

- HEB-3G allows for Magnalock installation on all-glass header (use with AKG below)
- Permits Magnalock installation on a solid glass door
- Permanently bonds to the glass with a special industrial adhesive
- Strike plate screws into the bracket, as glass doors cannot be drilled

HEB-3G	Header Extension Bracket M32/M62 Glass Door - 3" x 3" x 8"
GDB	Glass Door Bracket M32/38/62/68
AKG	Adhesive Kit (up to 10 applications)