

SARGENT®

ASSA ABLOY

80 Series

Exit Device



Table of Contents

80 Series



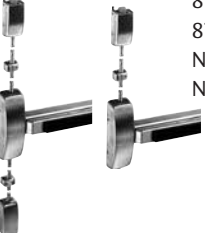




Features and Innovations	2
UL Fire Door Ratings and Opening Sizes	3
Rim Exit Device for Wide Stile Doors (Panic & Fire Rated)	
 8888/8810 Multi-Function Rim Exit Devices & Trims	4-5
8800 Rim Exit Devices	6
8800 Functions & Trims	7
Mortise Lock Exit Device for Wide Stile Doors (Panic & Fire Rated)	
 8900 Mortise Exit Devices	8
8900 Functions & Trims	9
Surface Vertical Rod Exit Device for Wide Stile Doors (Panic & Fire Rated)	
 8700 SVR Exit Devices	10
8700 Functions & Trims	11
NB8700 Less Bottom Rod SVR Exit Devices	12
NB8700 Functions & Trims	13
Concealed Vertical Rod Exit Device for Wide Stile Doors (Panic & Fire Rated)	
 MD8600 (Windstorm Rated) & NB-MD8600 Concealed Vertical Rod Exit Device for Metal Doors	14
MD8600 & NB-MD8600 Functions & Trims	15
AD8600 & NB-AD8600 CVR Devices for Aluminum Doors	16
AD8600 & NB-AD8600 Functions & Trims	17
WD8600 & NB-WD8600 CVR Devices for Wood Doors	18
WD8600 & NB-WD8600 Functions & Trims	19
Narrow Design Rim Exit Device for Wide & Narrow Door Stiles (Panic & Fire Rated)	
 8500 Rim Exit Devices	20
8500 Functions & Trims	21
AD8500 Narrow Design Rim Exit Device for Aluminum Doors	22
AD8500 Functions & Trims	23
Narrow Design Mortise Lock Exit Device for Wide Door Stiles (Panic & Fire Rated)	
 8300 Mortise Exit Devices	24
8300 Functions & Trims	25
Narrow Design Concealed Vertical Rod Exit Device for Wide & Narrow Stiles (Panic & Fire Rated)	
 MD8400 & NB-MD8400 Narrow Stile CVR Devices for Metal Doors	26
MD8400 & NB-MD8400 Functions & Trims	27
AD8400 & NB-AD8400 Narrow Stile CVR Devices for Aluminum Doors	28
AD8400 & NB-AD8400 Functions & Trims for Aluminum Doors	29

Table of Contents

80 Series

Center & Top Latching Surface Vertical Rod Devices (Panic & Fire Rated)



PP8700 and PR8700 Center & Top Latching Exit Devices for Pairs of Doors.....	30
PP8700 and PR8700 Functions & Trims for Pairs of Doors	31
SP8700 Center and Top Latching Vertical Rod for Single Door Applications.....	32
SP8700 Functions & Trims for Single Doors	33

Center & Top Latching Concealed Vertical Rod Exit Device (Panic & Fire Rated)



PP8600 and PR8600 Center & Top Latching Exit Devices for Pairs of Doors.....	34
PP8600 and PR8600 Functions & Trims for Pairs of Doors	35
SP8600 Center and Top Latching Vertical Rod for Single Door Applications.....	36
SP8600 Functions & Trims for Single Doors	37

Low Profile Center & Top Latching Vertical Rod Exit Device (Panic & Fire Rated)



LP8600 & LR8600 Center & Top Latching Exit Devices for Pairs of Doors	38
LP8600/LR8600 Functions & Trims.....	39
LS8600 Center and Top Latching Vertical Rod for Single Door Applications.....	40
LS8600 Functions & Trims for Single Doors	41

UL Listed Hurricane-Resistant Products



UL Listed Hurricane-Resistant Certifications for Single Doors.....	42
UL Listed Hurricane-Resistant Certifications for Pairs of Doors.....	43
HC8600 and WS8600 Concealed Vertical Rod Exit Devices: UL Hurricane-Resistant.....	44-45
HC8800 Rim Exit Devices: UL Listed Hurricane-Resistant	46-47
WS8800 Rim Exit Devices: UL Listed Hurricane-Resistant	48-49
WS8900 Mortise Exit Device: UL Listed Hurricane-Resistant	50-51
HC4-8700 SVR Exit Devices: UL Listed Hurricane-Resistant (up to 150 psf).....	52-53
HC8700 SVR Exit Devices: UL Listed Hurricane-Resistant (up to 65 psf).....	54-55
FM8700 2-Point SVR Exit Device: UL Listed Hurricane-Resistant (FEMA361/ICC500).....	56-57

Electrical Options

ElectroLynx® Information & Option Compatibility Chart	58
Security Shim Kit and Beacon™ Option	59
SARGuide PL- & TL- Options & Latch Bolt Monitoring Option (53-).....	60
Alarm (AL-) Option & Request-to-Exit (55-) Option	61
Electric Latch Retraction Option (56-)	62
Electric Latch Retraction Motor Kits & Push Rail Kits.....	63
Delayed Egress Option (57-) & Electro-Magnets.....	64-65
Electric Dogging (58-).....	66
ElectroGuard Delayed Egress Option (59-).....	67
Electrified & Monitored (54-) ET Trims & Power Supplies.....	68

Lever and Trim Designs

ET Trim, Levers and Pulls.....	69
Coastal Series Levers & Thumb Piece Pulls	70
Studio Collection Levers.....	71
Ordering Gramercy Series Levers	72
Anti-Vandal Trim, 988 Surface Bolt, ET Plates & Dummy Rails.....	73

Miscellaneous

Cylinder Information	74
Mullions: Aluminum, Steel & Electrified.....	75
Mullion Accessories and Stabilizers.....	76
Through-bolt Kits, Rod Extensions and Shim Kits.....	77
Door Coordinates, End Caps and Cylinder Dogging Kits	78
Rail Sizes and How to Order ET Trim	79
Mechanical Options & Descriptions	80
Cylinder Options & Descriptions.....	81
How to Order	82
Finishes & Finish Care	83
Architectural Specifications	84

Features and Innovations

80 Series

SARGENT manufactures a full line of exit devices including vertical rod, rim and mortise for both standard and narrow stile doors. These devices provide the best combination of simplicity, strength, durability, aesthetics and innovation and are perfect for applications such as commercial office buildings, medical and educational institutions.

Simplicity

- Easy installation and maintenance-free design
- “True” architectural hardware finishes consistent with BHMA/ANSI standards
- Few moving parts – less wear
- Modular construction

Hurricane-Resistant Products and Certifications

- UL Certified Latching Hardware and Assemblies (ZHEM & ZHLL)
- Product-specific detailed certifications and listings
- Available with Rim, Mortise, SVR & CVR devices

Security

- Double cylinder functions available
- Torx® and spanner screws
- Anti-vandal trim options
- Master keying with SARGENT Security Key systems available (Signature, Keso F1, Keso and XC)

Strength & Durability

- Made of finest component materials
- Heavy duty mounting construction
- Built to withstand abusive conditions
- 5 Year warranty

Innovation

- Beacon™, a next generation exit device that creates a clearer pathway to safety during an emergency, is a combination of audible and visible alerts built into the exit device
- Broad offering of electro-mechanical solutions for the most demanding access/egress control applications
- **MicroShield®** anti-microbial finish coating offers a new level of protection
- **SARGuide™** exit device contains an electroluminescent touchpad to enhance the visibility of exit locations in dark or smoke-filled passages and effectively improve the safety of any public building
- CTL (Center and Top Latching) Vertical Rod Devices offer less bottom rod convenience with true center latching for added security



MicroShield™ Microshield® Coating



- This revolutionary finish coating available on all SARGENT product lines, utilizes a silver-based antimicrobial compound from Agion® Technologies
- The MicroShield protection is now available integrated within the 80 Series touch pad as well as the finish coating. MicroShield lasts for the life of the finish
- MicroShield coating permanently suppresses the growth of bacteria, algae, fungus, mold and mildew. It is effective against a broad spectrum of bacteria
- Non-toxic and completely safe. The Agion antimicrobial compound is EPA and NSF approved and FDA listed for use in medical and food preparation equipment
- Applications: Anywhere there is need for a clean environment (hospitals, laboratories, schools, medical centers, daycare, food processing etc.)

MicroShield®

As part of their promise to provide innovative solutions to their customers, certain ASSA ABLOY Group brands offer the MicroShield® technology, a silver-based antimicrobial coating designed to inhibit the growth of bacteria.

MicroShield® is a registered trademark of Yale Security Inc., an ASSA ABLOY Group company.



Agion has achieved:



Agion's silver antimicrobial has been certified for its material content, recyclability, and manufacturing characteristics. Cradle To Cradle Certified™ products meet established standards for human health, environmental health and recyclability.

Cradle To Cradle Certified™ is a certification mark of MBDC.



The TL- SARGuide Electroluminescent exit device increases visibility of exit locations in dark or smoke-filled passages, supplementing existing codes for egress lighting

- SARGuide utilizes state-of-the-art FLATLITE electroluminescent lighting from E-Lite Technologies Inc.
- Can be wired in conjunction with Fire Alarm system or can be wired for continuous operation
- UL Listed for use on panic (UL 305) and fire-rated (UL10C) exit devices

The PL- SARGuide Photoluminescent Exit Device is a non electrical option which produces visible EXIT signage in darkness or low lit areas.

- Approved for use in New York City in accordance with RS 6-1 and RS 6-1A
- Recharges from ambient light
- No wiring or maintenance needed



Maximum Door Opening-Fire Doors

Type	Exit Device	Door Material	Single Door	Double Door Applications						
				with 12-HC980 or 12-980 or 12-L980 or 12-HCL980 Mullion	with 12-HD980 Mullion	VR/VR Doors Swing Same Direction	SVR/Mortise Doors Swing Same Direction	CVR/Mortise MD Doors Swing Same Direction	CVR/Mortise WD Doors Swing Same Direction	VR/VR Double Egress
Rim	12-8800	Metal	3 Hour 4' x 10'	3 Hour 8' x 8'	3 Hour 8' x 10'	—	—	—	—	—
	12-8800	Wood	3 Hour 4' x 10'	3 Hour 8' x 8'	3 Hour 8' x 10'	—	—	—	—	—
	12-8500	Metal	3 Hour 4' x 8'	3 Hour 8' x 8'	3 Hour 8' x 8'	—	—	—	—	—
	12-8500	Wood	3 Hour 4' x 8'	3 Hour 8' x 8'	3 Hour 8' x 8'	—	—	—	—	—
Mortise Lock	12-8900	Metal	3 Hour 4' x 10'	—	—	—	3 Hour 8' x 8'	3 Hour 8' x 10'	—	—
	12-8900	Wood	3 Hour 4' x 10'	—	—	—	3 Hour 8' x 8'	—	3 Hour 8' x 9'	—
	12-8300	Metal	3 Hour 4' x 10'	—	—	—	—	3 Hour 8' x 10'	—	—
	12-8300	Wood	3 Hour 4' x 10'	—	—	—	—	—	3 Hour 8' x 9'	—
SVR	12-FM8700	Metal	3 Hour 4' x 8'	—	—	3 Hour 8' x 8'	—	—	—	—
	12-8700	Metal	—	—	—	3 Hour 8' x 8'	3 Hour 8' x 8'	—	—	3 Hour 8' x 8'
	12-8700	Wood	—	—	—	3 Hour 8' x 8'	3 Hour 8' x 8'	—	—	3 Hour 8' x 8'
	12-NB8700	Metal	—	—	—	3 Hour 8' x 10'	—	—	—	3 Hour 8' x 10'
	12-NB8700	Wood	—	—	—	3 Hour 8' x 10'	—	—	—	3 Hour 8' x 10'
SVR/Mortise	12-SP8700	Metal	90 Min 4' x 10'	—	—	—	—	—	—	—
	12-SP8700	Wood	90 Min 4' x 9'	—	—	—	—	—	—	—
	12-PP8700 & 12-PR8700	Metal	—	—	—	3 Hour 8' x 10'	—	—	—	3 Hour 8' x 10'
	12-PP8700 & 12-PR8700	Wood	—	—	—	3 Hour 8' x 8'	—	—	—	3 Hour 8' x 8'
CVR	12-MD8600	Metal	—	—	—	3 Hour 8' x 10'	—	3 Hour 8' x 10'	—	3 Hour 8' x 10'
	12-NB-MD8600	Metal	—	—	—	3 Hour 8' x 10'	—	—	—	3 Hour 8' x 10'
	12-WD8600	Wood	—	—	—	90 Min 8' x 9'	—	—	3 Hour 8' x 9'	3 Hour 8' x 9'
	12-NB-WD8600	Wood	—	—	—	90 Min 8' x 9'	—	—	—	3 Hour 8' x 9'
	12-MD8400	Metal	—	—	—	3 Hour 8' x 10'	—	3 Hour 8' x 10'	—	3 Hour 8' x 10'
	12-NB-MD8400	Metal	—	—	—	3 Hour 8' x 10'	—	—	—	3 Hour 8' x 10'
CVR/Mortise	12-SP8600	Metal	3 Hour 4' x 10'	—	—	—	—	—	—	—
	12-SP8600	Wood	45 Min 4' x 9'	—	—	—	—	—	—	—
	12-PP8600 & 12-PR8600	Metal	—	—	—	3 Hour 8' x 10'	—	—	—	3 Hour 8' x 10'
	12-PP8600 & 12-PR8600	Wood	—	—	—	90 Min 8' x 8'	—	—	—	45 Min 8' x 8'
	12-LS8600	Metal	3 Hour 4' x 10'	—	—	—	—	—	—	—
	12-LP8600 & 12-LR8600	Metal	—	—	—	3 Hour 8' x 10'	—	—	—	3 Hour 8' x 10'

Any retrofit or other field modification to a fire rated opening can potentially impact the fire rating of the opening, and Sargent Manufacturing Company makes no representations or warranties concerning what such impact may be in any specific situation. When retrofitting any portion of an existing fire rated opening, or specifying and installing a new fire-rated opening, please consult with a code specialist or local code official (Authority Having Jurisdiction) to ensure compliance with all applicable codes and ratings.

Note: Please contact door manufacturer for specifications regarding fire door construction

8888/8810 Multi-Function Rim Exit Device & Trim

80 Series

SARGENT®

ASSA ABLOY



8888/8810 Multi-Function exit device and trim

- Device & trim sold separately; easy to mix and match
- Designed for standard width stile applications on wood and metal doors
- 7 functions available as determined by the trim function
- 3 trim designs available:
 - 700 ET Controls
 - 88 Lever & Rose trim
 - Pull trims
- Single and double door applications with a mullion

The 8888/8810 Rim Exit Device

- Devices are ANSI A156.3 – 2008 Grade 1
- UL Fire and Panic listed
- Device is non-handed
- ANSI/BHMA architectural finishes
- Four standard sizes available

To Order: Specify options, 8888 or 8810, Rail Size and Finish
 Example: 12-19-8888F x 32D

Specifications

For Doors	Wood or metal. 1-3/4" (44 mm) minimum thickness. For doors over 1-3/4" to 2-1/4" thick, specify thickness and order as 31- option
Mounting	Supplied standard with wood and machine screws Available with through-bolts and mortise nuts
Chassis Cover	Cold drawn stainless steel, brass or bronze with ANSI/BHMA Finishes
Chassis	Nonferrous alloy (Panic) Ferrous alloy (Fire Rated)
Rails	Roll Formed Stainless Steel, Brass or Bronze with ANSI/BHMA Finishes
Hand	Non-handed
Dogging Feature (Non 12- only)	Hex key dogging standard on non fired rated devices; specify 16- for cylinder dogging (#41 cylinder supplied)
Latchbolt	Stainless steel, 3/4" (19mm) throw
Strike	649 Strike supplied standard for panic & fire rated openings
Fire Exit Hardware	See chart - Page 3

700 Series ET Control

The 700 Series ET Control is sold separately from the exit device and can be used with 8888 & 8810 Exit Device. The trim is non handed and is through-bolted to the chassis for greater security and durability. Available in 7 functions and SARGENT Studio, Coastal and standard lever designs to accommodate most requirements.

- ANSI/BHMA Finishes
- Easy operating lever handle allows convenient one hand operation
- ET trim is not available in 32 or 32D
- Stainless steel levers are available

Rail Chart

- Rails are available in 4 sizes, use door width to determine size needed.
- Rails will be factory cut to size if door width is supplied or can be cut in the field

Stock Size	Door Widths	Remarks
E	24" to 32" (61cm to 81cm)	No cutting required for 32" (81cm) door
F	33" to 36" (84cm to 91cm)	No cutting required for 36" (91cm) door
J	37" to 42" (94cm to 107cm)	No cutting required for 42" (107cm) door
G	43" to 48" (110cm to 122cm)	No cutting required for 48" (122cm) door

88 Lever and Rose Trim

LB
ROSE: L
LEVER: B

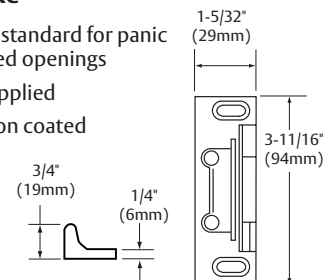
- The 88 Lever and Rose Trim is sold separately from the exit device and can be used with 8888 & 8810 Exit Device.
- The trim is non handed and is through-bolted to the chassis for greater security and durability. Available in 4 functions and 4 lever designs to accommodate most requirements.

688 Trim Retrofit Kit

- 688 Trim Retrofit kit allows an 8810/8888 rim exit with an ET to replace Von Duprin's 98/99 series exit with trim with minimal door prep.
- Order as: 688 Kit

649 Strike

- Supplied standard for panic & fire rated openings
- Surface applied
- Black nylon coated



Copyright © 1998-2014, Sargent Manufacturing Company, an ASSA ABLOY Group company. All rights reserved. Reproduction in whole or in part without the express written permission of Sargent Manufacturing Company is prohibited.

906413M 1/15/14

8888/8810 Multi-Function Rim Exit Device & Trim

80 Series



How to order 8888/8810 Multi-Function Exit Devices:

Specify the following:

Options	Series	Rail	Finish
16-	8888 or 8810	F	32D

- All trims and functions listed on this page, work with 8888 & 8810 Exit Devices
- Available options listed at the right
- 8888 & 8810 are identical products and are non-handed
- Exit devices are not available in 14, 15, 26 and 26D finishes

How to order trim for 8888 & 8810 Exit Devices:

Specify the following:

Options	Trim Designation	Hand	Finish
10-	713-8 ET_*	RHR	26D
10-	88-CL_*	Non-Handed	10B
60-	814-MSL	RHR	04

*Specify lever design
Available Options listed at the right

700 Series ET Trim



SARGENT Function Numbers	ANSI Function Numbers	Description & Cylinder Info (1-3/4" Door)	Trim Designations
04	03	Night Latch Key Retracts Latch #34 Cylinder Supplied	704 ET_ x Hand & Finish
10	02	No outside operation (No Cylinder) ET Control is used as Pull Only	710 ET_ x Hand & Finish
13	08	Key Outside Unlocks/Locks Trim #41 Cylinder Supplied	713-8 ET_ x Hand & Finish
15	14	Passage Only (No cylinder)	715-8 ET_ x Hand & Finish
40	02	Freewheeling Trim - No outside operation (No Cylinder) Dummy Trim	740 ET_ x Hand & Finish
43	08	Freewheeling Trim - Key Outside Unlocks/Locks Trim #41 Cylinder Supplied	743-8 ET_ x Hand & Finish
44	03	Freewheeling Trim - Key Retracts Latch #34 Cylinder Supplied	744 ET_ x Hand & Finish

Note: ET trim is not available in 32 (629) or 32D (630)

700 Series ET Controls

To order: Specify options followed by trim designation, lever design, hand and finish (as shown to the right).
Example: 11-SG-713-8 x RHR x 10B

Freewheeling Trim

The lever rotates when the door is locked preventing excessive force from being applied to the horizontal lever

88 Lever and Rose Trim

To order: Specify options followed by trim designation, lever design and finish (as shown to the right).
Example: 10-SG-88-CLP x 26D



ANSI Function Numbers	Description	Trim Designations
03	Key Retracts Latch Cylinder Supplied	88-KL_ x Finish
02	No outside Operation (No Cylinder) Dummy Trim	88-DL_ x Finish
08	Key Outside Unlocks/locks Trim Cylinder Supplied	88-CL_ x Finish
14	Passage Only (No cylinder)	88-LL_ x Finish

Lever Designs available for 88 Lever & Rose Trim are L, B, J & P

Note: For 88 Lever & Rose trim, the 1st letter is the function, the 2nd is the "L" Rose Design & the 3rd is the lever design specified

Keyed & Non Keyed Pull Trim for 8888 & 8810 Devices

Use the six digit designation (Ex "866-MAL") when ordering trim without an Exit Device, always specify options, designation, finish & hand

Example: 10-SG-814-FSW x 04 x RHR

SARGENT Function #'s	ANSI	Description & Cylinder Info. (1-3/4" Door)	Trim Designations				
04	03	Key Retracts Latch #34 Cylinder Supplied	814-FSL*	814-FSW*	814-MSL*	814-PSB*	814-ST5
10	02	No O/S Operation or Cylinder (Pull Only)	810-FLL	810-FLW	810-MAL	810-PTB	810-ST5

Note: FSW, FLW, 88 Lever & Rose trim & ET's are not available in 32(629) or 32D(630)

*FSL, FSW, MSL and PSB trims are used with (HC- & 12-) 8888 and 8804 only and are the same as FLL, FLW, MAL and PTB pulls, except for cylinder hole located 3/8" (9mm) lower.

Options	
Exit	Trim
12-	10-
*16-	**10-UL-
19-	11-
43-	11-70-
GL-	11-72-7P-
CPC-	11-73-7P-
LC-	21-
LD-	22-
PL-	60-
	63-
	64-
	+70-
	+72-
	+73-
	+73-7P-
	+65-73-
	+65-73-7P-
	BR-
	LC-
	SC-
	SE-
	++SF-
	SG-

* Supplied with standard 41 cylinder, for cylinder options, see trim options

** Double asterisk options are not available with 88 Lever & Rose Trim

+ Single crossed options are not available with 88 Lever & Rose Trim with J Lever

++ Double Cross options are only available with 88 Lever & Rose Trim

Available Finishes

SARGENT Finishes	BHMA Finishes
03	605
04	606
09	611
10	612
10B	613
10BE	613E
10BL	614
14	618
15	619
20D	624
26	625
26D	626
32	629
32D	630

8800 Rim Exit Device

80 Series

8800 Series Rim Exit Device



8800 Features

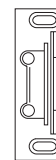
- Designed for standard width stile applications on wood and metal doors
- Also available as an HC8800 or WS8800 for hurricane-resistant applications, see Hurricane-Resistant section of this catalog
- Most functions are non-handed
- Single point rim latching device
- Single door & double door applications with mullions
- Quiet operation and solid security
- Devices are ANSI A156.3 – 2008 Grade 1
- UL Fire and Panic listed

Specifications

8800 Series Rim Exit Device

Door Types	Wood or metal 1-3/4" (44 mm) minimum thickness. For doors over 1-3/4" to 2-1/4" thick, specify thickness and order as 31- Option
Rail sizes as determined by door width	Rails are available in 4 sizes, use door width to determine size needed. Rails will be factory cut to size, if door width is supplied <ul style="list-style-type: none"> • E Rail for 24" to 32" door widths, No cutting required for 32" door • F Rail for 33" to 36" door widths, No cutting required for 36" door • J Rail for 37" to 42" door widths, No cutting required for 42" door • G Rail for 43" to 48" door widths, No cutting required for 48" door
Strike	649 Standard Black Nylon Coated
Optional Strikes	642, 644 and 613
Dogging Feature	Hex key dogging standard on non fired rated devices; specify 16- for cylinder dogging (#41 cylinder supplied)
Electric Options	AL- Alarm BT- Beacon™ PL- SARGuide Photoluminescent Coated TL- SARGuide Illuminated Touchpad 53- LX Latchbolt Monitor 54- Outside Lever Monitoring 55- Request-to-Exit Signal - Rail Monitoring 56- Remote Latch Retraction 57- Delay Egress & Electromagnets 58- Electric Dogging 59- Electroguard – Self Contained Delayed Egress
Mounting Fasteners	Supplied standard with wood and machine screws Available with through-bolts and mortise (sex) nuts
Latch Bolt	Stainless steel, 3/4" (19mm) throw
Device Centerline from Finished Floor	41" (1041 mm) for Standard Applications
Center Case Dimensions	8-3/8" (213mm) x 2-5/8" (67mm)
Projection	Pushbar Neutral – 3" (76 mm) Pushbar Depressed – 2-1/8" (54 mm)
Fire Exit Hardware	See Chart – Page 3

649 Strike



- Supplied standard for panic & fire rated openings
- Surface applied
- Black nylon coated

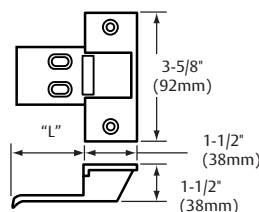
688 Trim Retrofit Kit



- 688 Trim Retrofit kit allows an 8800* Series rim exit with an ET to replace Von Duprin's 98/99 Series exit with trim with minimal door prep.
- * Except for 16 function
- Order as: 688 Kit

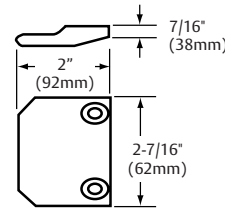
Alternate Strikes For 8800 Rim Devices

642 Strike



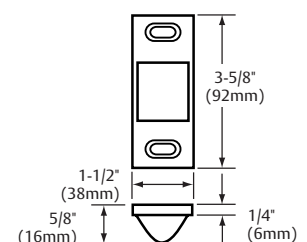
- Mortised. Dimension "L" equals door thickness plus 1/2" (13mm). Black nylon coated on lip only.

644 Strike



- Surface applied. For use on pairs of doors without mullion. Ductile Iron. Black nylon coated.

613 Strike




- Half mortised. Black nylon coated.

Copyright © 1998-2014, Sargent Manufacturing Company, an ASSA ABLOY Group company. All rights reserved. Reproduction in whole or in part without the express written permission of Sargent Manufacturing Company is prohibited.

906413M 1/15/14

8800 Functions & Trims

80 Series

Options	Series	Function	Rail Lgth	Trim	Hand	Outside Finish	Inside Finish	Door Width	Options
F1-83-56	88	13	F	ETL	RHR	26D	32D	36"	8800
700 Series ET Trim  Exits with ET Trim, specify lever design after the ET designation (e.g., ETL)									Mechanical Options: 12- 16- 19- 31- 36- 37- 43- 53- 54- 55- 56- 56-HK- 57- 58- 59- BC-59- 76- 85- 86- 87- AL- BT- CPC- GL- LD- PL- SG- TB- TL- Cylinder Options: 10- 10-21- 10UL- 10-63- 11- 11-21- 11-60- 11-63- 11-64- 11-70-7P- 11-72-7P- 11-73-7P- 11-65-73-7P- 21- 22- 51- 52- 60- 63- 64- 70- 72- 73- 65-73-7P- 73-7P- 81- 82- F1-82- 83- F1-83- 84- BR- LC- *SC- *SE-
SARGENT Function Numbers			ANSI Function Numbers			Description & Cylinder Info (1-3/4" Door)		ANSI Type 1 8800 Panic & Fire	
04	03	Night Latch Key Retracts Latch #34 Cylinder Supplied		8804 x ET_					
06	09	Key unlocks Trim, Trim retracts latch/ Trim relocks when key is removed #41 Cylinder Supplied		8806 x ET_					
10	01	No outside operation (No Cylinder)		8810					
10	02	No outside operation (No Cylinder) ET Control is used as Pull Only		8810 x ET_					
13	08	Key Outside Unlocks/locks Trim #41 Cylinder Supplied		8813 x ET_					
15	14	Passage Only (No cylinder)		8815 x ET_					
16	10	Key Outside Retracts Latch; Key Inside Unlocks/Locks O/S Trim O/S #34 Cylinder & I/S #44 Cylinder Supplied		8816 x ET_					
40	02	Freewheeling Trim - No outside operation (No Cylinder) Dummy Trim		8840 x ET_					
43	08	Freewheeling Trim - Key Outside Unlocks/locks Trim #41 Cylinder Supplied		8843 x ET_					
44	03	Freewheeling Trim - Key Retracts Latch #34 Cylinder Supplied		8844 x ET_					
46	09	Freewheeling Trim - Key unlocks Trim, Trim retracts latch/ Trim relocks when key is removed #41 Cylinder Supplied		8846 x ET_					
73		Electrified ET Trim - Fail Safe Power Off, Unlocks Lever (No Cylinder)		8873 x ET_					
74		Electrified ET Trim - Fail Secure Power Off, Locks Lever (No Cylinder)		8874 x ET_					
75		Electrified ET Trim - Fail Safe Power Off, Unlocks Lever, Key Retracts Latch #34 Cylinder Supplied		8875 x ET_					
76		Electrified ET Trim - Fail Secure Power Off, Locks Lever, Key Retracts Latch #34 Cylinder Supplied		8876 x ET_					

Lever Designs for ET Controls

A, B, E, F, J, L, P, W

Also available with Coastal Series & Studio Collection Levers

ET Designation with Suffix (Used to order ET without device)

8800 Series: 704, 706-8, 710, 713-8, 715-8, 716, 740, 743-8, 744, 746-8, 773-8, 774-8, 775-8 & 776-8

Freewheeling Trim

The lever rotates when the door is locked preventing excessive force from being applied to the horizontal lever

Electrified ET Trim

Voltage must be specified for the following functions: 73, 74, 75 and 76. Specify: 12VDC or 24VDC

Note: Exit devices are available in all standard finishes, except 14, 15, 26 & 26D. With these finishes, exit devices are supplied in 32 or 32D to match accordingly. 26 or 26D is automatically supplied when 32 or 32D is specified. For nickel finishes, specify 14/32 or 15/32D to receive nickel finished trims and stainless exit devices.

Pull & Thumb Piece Trim Section

Trim Designations







- Use three letter designations (Ex "PTB") when ordering the Exit Device with trim
- Use the six digit designation (Ex "866-MAL") when ordering trim without an Exit Device, always specify finish

Series



8800
Panic & Fire

* Options are not available with 8816

SARGENT Function Numbers	ANSI Function Numbers	Description & Cylinder Info. (1-3/4" Door)							8800 Panic & Fire
04	03	Night Latch Key Retracts Latch #34 Cylinder Supplied	814-FSL*	814-FSW*	814-MSL*	814-PSB*	814-ST5	862 Pull	8804 x Trim Designation
10	02	No O/S Operation or Cylinder (Pull Only)	810-FLL	810-FLW	810-MAL	810-PTB	810-ST5	862 Pull	8810 x Trim Designation
28	15	Passage Only (No cylinder)	828-FLL	828-FLW	828-MAL	828-PTB	828-ST5	N/A	8828 x Trim Designation
63	05	Key Outside Unlocks/ Locks Trim #34 Cylinder Supplied	866-FLL	866-FLW	866-MAL	866-PTB	866-ST5	N/A	8863 x Trim Designation
66	07	Key Outside Retracts Latch; Key Inside Unlocks/Locks O/S Trim O/S #34 & I/S #44	866-FLL	866-FLW	866-MAL	866-PTB	866-ST5	N/A	8866 x Trim Designation

* FSL, FSW, MSL and PSB trims are used with (HC- & 12-) 8888 and 8804 only and are the same as FLL, FLW, MAL and PTB pulls except for cylinder hole located 3/8" (9mm) lower.
Note: Thumb piece trims for 63 and 66 function devices are identical and are identified as 66 function when trim is ordered separately.
Note: FLW & FSW trims are not available in 32(629) or 32D(630)

Available Finishes	
SARGENT Finishes	BHMA Finishes
03	605
04	606
09	611
10	612
10B	613
10BE	613E
10BL	614
14	618
15	619
20D	624
26	625
26D	626
32	629
32D	630

8900 Mortise Lock Exit Device

80 Series



SARGENT

ASSA ABLOY

8900 Series Mortise Lock Exit Device



8900 Features

- Designed for standard width stile applications on wood and metal doors
- Concealed single point guarded latching for additional security
- The standard 8900 is UL Certified to ZHLL.R21744 Windstorm-rated Assemblies
- Also available as a WS8900 for additional certifications and listings, see Hurricane-Resistant section of this catalog
- Single door applications
- Double door applications with Vertical Rod
- Devices are ANSI A156.3 – 2008 Grade 1
- UL Fire and Panic listed

Specifications for 8900 Mortise Lock Exit

Door Types	Wood or metal 1-3/4" (44 mm) minimum thickness. For doors over 1-3/4" to 2-1/4" thick, specify thickness and order as 31- Option 4-1/2" (114mm) minimum stile
Rail sizes as determined by door width	Rails are available in 4 sizes, use door width to determine size needed. Rails will be factory cut to size, if door width is supplied <ul style="list-style-type: none"> • E Rail for 24" to 32" door widths, No cutting required for 32" door • F Rail for 33" to 36" door widths, No cutting required for 36" door • J Rail for 37" to 42" door widths, No cutting required for 42" door • G Rail for 43" to 48" door widths, No cutting required for 48" door
Strike	C908 Standard Black Nylon Coated – ANSI Prep A115.1 Optional Strikes – 815 Open Back Strike or 908 Flat Lipped Strike with Black Nylon
Dogging Feature	Hex key dogging standard on non fired rated devices; specify 16- for cylinder dogging (#41 cylinder supplied)
Electric Options	AL- Alarm BT- Beacon™ PL- SARGuide Photoluminescent Coated TL- SARGuide Illuminated Touchpad 53- LX Latchbolt Monitor 54- Outside Lever Monitoring 55- Request-to-Exit Signal - Rail Monitoring 56- Remote Latch Retraction 57- Delay Egress & Electromagnets 58- Electric Dogging 59- Electroguard – Self Contained Delayed Egress
Mounting Fasteners	Supplied standard with wood and machine screws Available with through-bolts and mortise (sex) nuts
Latch Bolt	Brass Nickel Plated, 3/4" (19mm) throw, anti-friction
Guarded/DeadLatch	Brass Nickel Plated, sliding type
Device Centerline from Finished Floor	41" (1041mm) for Standard Applications
Center Case Dimensions	8-3/8" (213mm) x 2-5/8" (67mm)
Projection	Pushbar Neutral – 3" (76mm) Pushbar Depressed – 2-1/8" (54mm)
Fire Exit Hardware	See Chart – Page 3

SARGENT Manufacturing offers a wide variety of products that meet building codes requiring hurricane-resistant certification. SARGENT products are independently tested to meet the requirements of the building codes as specified by the Florida Building Code, Miami Dade Code Requirements and in the International Building Code. Listed below are certifications and the standards met by the 8900 Series exit devices, see Hurricane-Resistant section of this catalog for additional devices listed and certified.

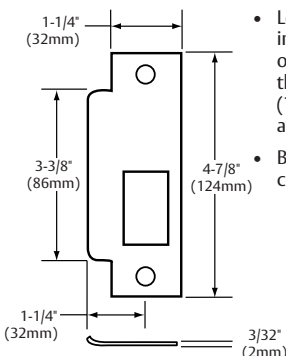
UL Certification Directory ZHLL. R21744 Hurricane-Resistant Assemblies

8900	Ratings
Door Size	3'-0" x 7'-0" 18 gauge
Design Pressure	+80/-80 psf
Large Missile Impact	350 ft-lbs

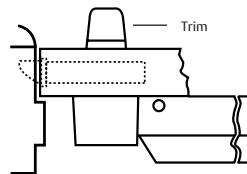
Test Methods: TAS 201, TAS 202, TAS 203

C908 Standard Strike

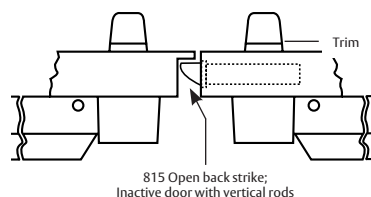
- Curved lip ANSI A-115.1
- Handed. 1-1/4" (32mm) lip standard
- Longer lips in increments of 1/4" (6mm) through 2-7/8" (73mm) available
- Black nylon coated



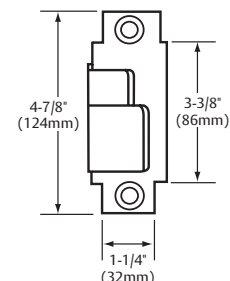
Single Door



Pair of Doors



815 Open Back Strike



- ANSI A-115.14 Open Back
- Beveled 1/8" (3mm) in 2" (51mm)
- Specify hand of active door
- Black nylon coat
- "B" label

Copyright © 1998-2014, Sargent Manufacturing Company, an ASSA ABLOY Group company. All rights reserved. Reproduction in whole or in part without the express written permission of Sargent Manufacturing Company is prohibited.

90641M 1/15/14

8900 Functions & Trims

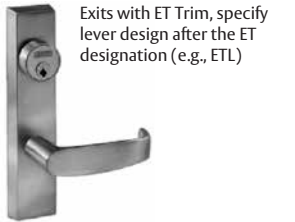
80 Series



How to order: Options F1-83- Series 89 Function 13 Rail Lgth F Trim ETL Hand RHR Outside Finish 26 Inside Finish 32 Door Width 36"

SARGENT Function Numbers	ANSI Function Numbers	Description & Cylinder Info (1-3/4" Door)	ANSI Type 3 8900 Panic & Fire
04	03	Night Latch Key Retracts Latch #46 Cylinder Supplied	8904 x ET_
06	09	Key unlocks Trim, Trim retracts Latch/ Trim relocks when key is removed #41 Cylinder Supplied	8906 x ET_
10	01	No outside operation (No Cylinder)	8910
10	02	No outside operation (No Cylinder) ET Control is used as Pull Only	8910 x ET_
13	08	Key Outside Unlocks/locks Trim #41 Cylinder Supplied	8913 x ET_
15	14	Passage Only (No cylinder)	8915 x ET_
16	10	Key Outside Retracts Latch; Key Inside Unlocks/Locks O/S Trim O/S #46 & I/S #34 Cylinder Supplied	8916 x ET_
40	02	Freewheeling Trim - No outside Operation (No Cylinder) Dummy Trim	8940 x ET_
43	08	Freewheeling Trim - Key Outside Unlocks/locks Trim #41 Cylinder Supplied	8943 x ET_
44	03	Freewheeling Trim - Key Retracts Latch For 1-3/4" Door #46 Cylinder Supplied	8944 x ET_
75++		Electrified ET Trim - Fail Safe Power Off, Unlocks Lever, Key Retracts Latch For 1-3/4" Door #46 Cylinder Supplied	8975 x ET_
76**		Electrified ET Trim - Fail Secure Power Off, Locks Lever, Key Retracts Latch For 1-3/4" Door #46 Cylinder Supplied	8976 x ET_

700 Series ET Trim



Exits with ET Trim, specify lever design after the ET designation (e.g., ETL)

Lever Designs for ET Controls

A, B, E, F, J, L, P, W
Also available with Coastal Series & Studio Collection Levers

ET Designation with Suffix (Used to order ET without device)

8900 Series: 704, 706, 710, 713, 715, 716, 740, 743, 744, 773, 774, 775 & 776

Freewheeling Trim

The lever rotates when the door is locked preventing excessive force from being applied to the horizontal lever

Electrified ET Trim and Electrified Mortise Locks

Voltage must be specified for the following functions: 73, 74, 75 and 76. Specify: 12VDC or 24VDC

Note: Exit devices are available in all standard finishes, except 14, 15, 26 & 26D. With these finishes, exit devices are supplied in 32 or 32D to match accordingly. 26 or 26D is automatically supplied when 32 or 32D is specified. For nickel finishes, specify 14/32 or 15/32D to receive nickel finished trims and stainless exit devices.
++ 75 Function without cylinder is available as a 73 Function
** 76 Function without cylinder is available as a 74 Function

Pull & Thumb Piece Trim Section

Trim Designations

- Use three letter designations (Ex "PTB") when ordering the Exit Device with trim
- Use the six digit designation (Ex "866-MAL") when ordering trim without an Exit Device, always specify finish & hand

Series

SARGENT Function Numbers	ANSI Function Numbers	Description & Cylinder Info. (1-3/4" Door)	814-FLL	814-FLW	814-MAL	814-PTB	814-ST5	8900 Panic & Fire
04	03	Night Latch-Key Retracts Latch #41 Cylinder Supplied	814-FLL	814-FLW	814-MAL	814-PTB	814-ST5	8904 x Trim Designation
10	02	No O/S Operation or Cylinder (Pull Only)	810-FLL	810-FLW	810-MAL	810-PTB	810-ST5	8910 x Trim Designation
28	15	Passage Only (No cylinder)	828-FLL	828-FLW	828-MAL	828-PTB	828-ST5	8928 x Trim Designation
63	05	Key Outside Unlocks/locks Trim #41 Cylinder Supplied	866-FLL	866-FLW	866-MAL	866-PTB	866-ST5	8963 x Trim Designation
66	07	Key Outside Retracts Latch; Key Inside Unlocks/Locks Trim; O/S #34 & I/S #41 Cylinder Supplied	866-FLL	866-FLW	866-MAL	866-PTB	866-ST5	8966 x Trim Designation

Note: Thumb piece trims for 63 and 66 function devices are identical and are identified as 66 function when trim is ordered separately.
Note: FLW trim is not available in 32(629) or 32D(630)
Note: Thumb piece trims used with 8900 mortise lock exit devices are handed.

Options
8900
Mechanical Options:
12-
16-
19-
23-
31-
36-
37-
43-
53-
54-
55-
56-
56-HK-
57-
58-
59-
BC-59-
76-
85-
86-
87-
AL-
BT-
CPC-
LD-
PL-
SG-
TL-
Cylinder Options:
10-
10-21-
10UL-
10-63-
11-
11-21-
11-60-
11-63-
11-64-
11-70-7P-
11-72-7P-
11-73-7P-
11-65-73-7P-
21-
22-
51-
52-
60-
63-
64-
70-
72-
73-
65-73-
65-73-7P-
73-7P-
81-
82-
F1-82-
83-
F1-83-
84-
BR-
LC-
*SC-
*SE-

* Options are not available with the following functions: 04 x ET, 16, 44, 75 & 76

Available Finishes

SARGENT Finishes	BHMA Finishes
03	605
04	606
09	611
10	612
10B	613
10BE	613E
10BL	614
14	618
15	619
20D	624
26	625
26D	626
32	629
32D	630

8700 Surface Vertical Rod Exit Device

80 Series



8700 Series
Surface Vertical Rod Exit Device

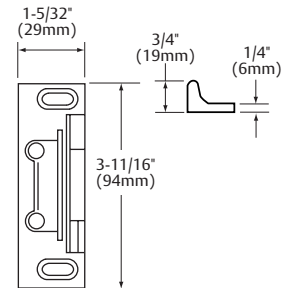
Features

- Two point latching (top & bottom with adjustability through center case)
- Standard bottom latch compatible with latch track thresholds (by others)
- Single and double door applications
- Devices are ANSI A156.3 – 2008 Grade 1
- UL Fire and Panic listed
- Also available as an HC8700 or FM8700 for hurricane-resistant applications, see Hurricane-Resistant section of this catalog
- Rods are 1/2" (13mm) brass, bronze or stainless steel

Note: The 8700 Exit Device can not be used less bottom rod. If less bottom rod is desired, specify NB8700 Series Exit Device.

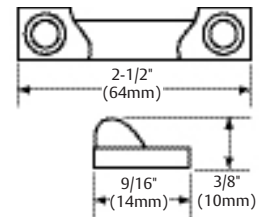
646 Top Strike

- Standard for both Panic & Fire (12-) Hardware
- Surface applied to frame
- Black nylon coated
- Replaces 629 Strike



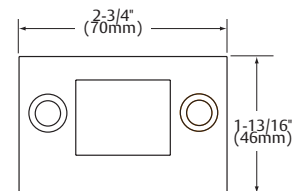
624 Bottom Strike

- Standard for 8700
- Applied to surface of floor or to a flat threshold
- Black nylon coated



655 Bottom Strike

- Standard for 12-8700 and 14-8700
- Stainless steel
- Black nylon coated
- Replaces 647 Strike



Specifications for 8700 Series Exit

Door Types	Wood or metal 1 3/4" (44mm) minimum thickness. For doors over 1-3/4" to 2-1/4" thick, specify thickness and order as 31- Option 4-1/2" (114mm) minimum stile with trim and 3-1/2" (44mm) minimum stile without trim.
Rail sizes as determined by door width	Rails are available in 4 sizes, use door width to determine size needed. Rails will be factory cut to size, if door width is supplied <ul style="list-style-type: none"> • E Rail for 24" to 32" door widths, No cutting required for 32" door • F Rail for 33" to 36" door widths, No cutting required for 36" door • J Rail for 37" to 42" door widths, No cutting required for 42" door • G Rail for 43" to 48" door widths, No cutting required for 48" door
Strike	646 Top Strike (Panic and Fire Rated) 624 Bottom Strike; 655 Fire Rated Bottom Strike
Dogging Feature	Hex key dogging standard on non fired rated devices; specify 16- for cylinder dogging (#41 cylinder supplied)
Electric Options	AL- Alarm BT- Beacon™ PL- SARGuide Photoluminescent Coated TL- SARGuide Illuminated Touchpad 53- LX Latchbolt Monitor 54- Outside Lever Monitoring 55- Request-to-Exit Signal - Rail Monitoring 56- ELR Remote Latch Retraction 57- Delay Egress & Electromagnets 58- Electric Dogging 59- Electroguard – Self Contained Delayed Egress
Mounting Fasteners	Supplied standard with wood and machine screws Available with through-bolts and mortise (sex) nuts
Top & Bottom Bolt	Brass, Stainless steel
Device Centerline from	41" (1041 mm) for Standard Applications; 38" (965mm) for elementary schools and to meet local accessibility standards when a 300 Series Auxiliary Control is used
Door/Opening Height	Must be specified - 120" (3048mm) Max Door Opening
Center Case Dimensions	8-3/8" (213mm) x 2-5/8" (67mm)
Projection	Pushbar Neutral – 3" (76mm) Pushbar Depressed – 2-1/8" (54mm)
Fire Exit Hardware	See Chart – Page 3

Inside Lever Assembly for 300 Series Aux Control



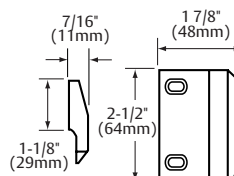
Attaches to top rod and engages with 300 Series Auxiliary Control. Packed standard with 306 and 313 Auxiliary Controls

Part # 97-2378

648 & 653 Strikes (Alternate Strikes for 8700 SVR Devices)

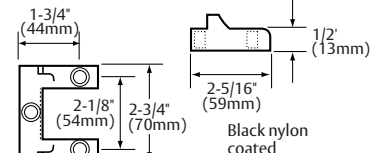
648 Strike

For doors having transom panel applications
Black nylon coated



653 Strike

Alternate for 12-8700



8700 Functions & Trims

80 Series

How to order:	Options F1-83-	Series 87	Function 13	Rail Lgth F	Trim ETL	Hand RHR	Outside Finish 32D	Inside Finish 10B	Door Width 36"	Door Height 84"	AFF 41"
----------------------	--------------------------	---------------------	-----------------------	-----------------------	--------------------	--------------------	------------------------------	-----------------------------	--------------------------	---------------------------	-------------------

700 Series ET Trim



Exits with ET Trim, specify lever design after the ET designation (e.g., ETL)

Lever Designs for ET Controls

A, B, E, F, J, L, P, W
Also available with Coastal Series & Studio Collection Levers

ET Designation with Suffix (Used to order ET without device)

8700 Series: 706, 710, 713, 715, 740, 743, 744, 746, 773 & 774

Freewheeling Trim

The lever rotates when the door is locked preventing excessive force from being applied to the horizontal lever

Electrified ET Trim

Voltage must be specified for the following functions: 73 and 74.
Specify: 12VDC or 24VDC

SARGENT Function Numbers	ANSI Function Numbers	Description & Cylinder Info. (1-3/4" Door)	ANSI Type 2 8700 Panic & Fire
06	09	Key unlocks Trim, Trim retracts latch/ Trim relocks when key is removed #41 Cylinder Supplied	8706 x ET_
10	01	No outside operation (No Cylinder)**	8710
10	02	No outside operation (No Cylinder)** ET Control is used as Pull Only	8710 x ET_
13	08	Key Outside Unlocks/locks Trim #41 Cylinder Supplied	8713 x ET_
15	14	Passage Only (No cylinder)	8715 x ET_
40	02	Freewheeling Trim - No outside Operation (No Cylinder)** Dummy Trim	8740 x ET_
43	08	Freewheeling Trim - Key Outside Unlocks/locks Trim #41 Cylinder Supplied	8743 x ET_
46	09	Freewheeling Trim - Key unlocks Trim, Trim retracts latch/ relocks when key is removed #41 Cylinder Supplied	8746 x ET_
73		Electrified ET Trim - Fail Safe Power Off, Unlocks Lever (No Cylinder)**	8773 x ET_
74		Electrified ET Trim - Fail Secure Power Off, Locks Lever (No Cylinder)**	8774 x ET_

Note: Exit devices are available in all standard finishes, except 14, 15, 26 & 26D. With these finishes, exit devices are supplied in 32 or 32D to match accordingly. 26 or 26D is automatically supplied when 32 or 32D is specified. For nickel finishes, specify 14/32 or 15/32D to receive nickel finished trims and stainless exit devices.

Note: AFF means Above Finished Floor, center line of rail Above Finished Floor

** Cylinder Override is available with a 306 Aux Control

Example Order: 8773F 12V x ETMG x 306 x RHR x 32D x 36" w x 84" h

300 Series++

Auxiliary Control & 862 Pull



300 Series
Aux. Control



862 Pull

SARGENT Function Numbers	ANSI Function Numbers	Description & Cylinder Info. (1-3/4" Door)	8700 Panic & Fire
06	12	Key unlocks Turn; Turn retracts latch/ Turn relocks when key is removed #41 Cylinder Supplied	8710 x 306
10	02	862 Pull Only (Optional Pulls: 863 & 864)	8710 x 862
13	11	Key Outside Unlocks/locks Turn #41 Cylinder Supplied	8710 x 313

Note: When ordering 8700 Series Exit Device x 300 Series Aux. Control, specify 10 Function for the exit. Example: 8710F x 306 x RHR x 32D x 42" x 90"

++ **Note:** Exit Devices must be mounted 38" AFF when used with a 300 Series Auxiliary Controls to meet ICC/ANSI A117.1-2003 Accessible & Usable Buildings and Facilities Code

Pull & Thumb Piece Trim Section

Trim Designations

- Use three letter designations (Ex "PTB") when ordering the Exit Device with trim
- Use the six digit designation (Ex "866-MAL") when ordering trim without an Exit Device, always specify finish

SARGENT Function Numbers	ANSI Function Numbers	Description & Cylinder Info. (1-3/4" Door)	8700 Panic & Fire
10	02	Pull Only (No Cylinder)**	8710 x Trim Designation
28	15	Passage Only (No cylinder)	8728 x Trim Designation
62	06	Key unlocks Trim, Trim retracts latch/ Trim relocks when key is removed #34 Cylinder Supplied	8762 x Trim Designation
63	05	Key Outside Unlocks/ locks Trim #34 Cylinder Supplied	8763 x Trim Designation

*** Cylinder Override is available with a 306 Aux Control

Note: Thumb piece trims for 62 and 63 function devices are identical and are identified as 66 function when trim is ordered separately.

Note: FLW trim is not available in 32(629) or 32D(630)

Options 8700
Mechanical Options:
12-
14-
16-
19-
31-
36-
37-
43-
53-
54-
55-
56-
56-HK-
57-
58-
59-
BC-59-
76-
85-
86-
87-
AL-
BT-
CPC-
LD-
PL-
SG-
TB-
TL-
Cylinder Options:
10-
10-21-
10UL-
10-63-
11-
11-21-
11-60-
11-63-
11-64-
11-70-7P-
11-72-7P-
11-73-7P-
11-65-73-7P-
21-
22-
51-
52-
60-
63-
64-
70-
72-
73-
65-73-
65-73-7P-
73-7P-
81-
82-
F1-82-
83-
F1-83-
84-
BR-
LC-
SC-
SE-

Available Finishes

SARGENT Finishes	BHMA Finishes
03	605
04	606
09	611
10	612
10B	613
10BE	613E
10BL	614
14	618
15	619
20D	624
26	625
26D	626
32	629
32D	630

NB-8700 Top Latch Surface Vertical Rod Exit Device

80 Series

SARGENT®
ASSA ABLOY



Features

- Single point top latching
- Top latchbolt projection adjustable through center case
- Devices are ANSI A156.3 – 2008 Grade 1
- UL Fire and Panic listed
- Tripping potential removed - no bottom strike
- Rods are 1/2" (13mm) brass, bronze or stainless steel

Specifications for NB-8700 Series Exit

Door Types	Wood or metal 1-3/4" (44mm) minimum thickness. For doors over 1-3/4" to 2-1/4" thick, specify thickness and order as 31- Option 4-1/2" (114mm) minimum stile with trim and 3-1/2" (44mm) minimum stile without trim.
Rail sizes as determined by door width	Rails are available in 4 sizes, use door width to determine size needed. Rails will be factory cut to size, if door width is supplied <ul style="list-style-type: none"> • E Rail for 24" to 32" door widths, No cutting required for 32" door • F Rail for 33" to 36" door widths, No cutting required for 36" door • J Rail for 37" to 42" door widths, No cutting required for 42" door • G Rail for 43" to 48" door widths, No cutting required for 48" door
Strike	646 Top Strike (Panic and Fire Rated)
Dogging Feature	Hex key dogging standard on non fired rated devices; specify 16- for cylinder dogging (#41 cylinder supplied)
Electric Options	AL- Alarm BT- Beacon™ PL- SARGuide Photoluminescent Coated TL- SARGuide Illuminated Touchpad 53- LX Latchbolt Monitor 54- Outside Lever Monitoring 55- Request-to-Exit Signal - Rail Monitoring 56- Remote Latch Retraction 57- Delay Egress & Electromagnets 58- Electric Dogging
Mounting Fasteners	Supplied standard with wood and machine screws Available with through-bolts and mortise (sex) nuts
Top Bolt	Stainless steel
Device Centerline from Finished Floor	41" (1041mm) for Standard Applications
Door/Opening Height	Must be specified - 120" (3048mm) Max Door Opening
Center Case Dimensions	8-3/8" (213mm) x 2-5/8" (67mm)
Projection	Pushbar Neutral – 3" (76 mm) Pushbar Depressed – 2-1/8" (54 mm)
Fire Exit Hardware	See Chart – Page 3

NB-300 Series Aux Control

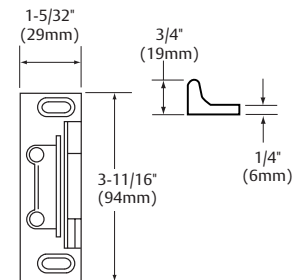
- Available as an 06 or 13 function
- Supplied with SARGENT #41 Mortise Cylinder
- NB-300 is mounted in-line with the exit chassis



Note: NB 300 Series Controls only work with NB8710 Devices

646 Top Strike

- Standard for both Panic & Fire (12-) Hardware
- Surface applied
- Fire Rated
- Black nylon coated



Copyright © 1998-2014, Sargent Manufacturing Company, an ASSA ABLOY Group company. All rights reserved. Reproduction in whole or in part without the express written permission of Sargent Manufacturing Company is prohibited.

90641-M 1/15/14

NB-8700 Functions & Trims

80 Series

How to order:	Options 12-	Series NB-87	Function 13	Rail Lgth F	Trim ETL	Hand RHR	Outside Finish 26D	Inside Finish 32D	Door Width 36"	Door Height 84"	AFF 41"
----------------------	-----------------------	------------------------	-----------------------	-----------------------	--------------------	--------------------	------------------------------	-----------------------------	--------------------------	---------------------------	-------------------

700 Series ET Trim



Exits with ET Trim, specify lever design after the ET designation (e.g., ETL)

Lever Designs for ET Controls

A, B, E, F, J, L, P, W
Also available with Coastal Series & Studio Collection Levers

ET Designation with Suffix (Used to order ET without device)

NB-8700 Series: 706-8, 710, 713-8, 715-8, 740, 743-8, 746-8, 773-8 & 774-8

Freewheeling Trim

The lever rotates when the door is locked preventing excessive force from being applied to the horizontal lever

Electrified ET Trim

Voltage must be specified for the following functions: 73 and 74. Specify: 12VDC or 24VDC

SARGENT Function Numbers	ANSI Function Numbers	Description & Cylinder Info (1-3/4" Door)	ANSI Type 2 NB-8700 (Panic & Fire)
06	09	Key unlocks Trim, Trim retracts latch/ Trim relocks when key is removed #41 Cylinder Supplied	NB-8706 x ET_
10	01	No outside operation (No Cylinder)	NB-8710
10	02	No outside operation (No Cylinder) ET Control is used as Pull Only	NB-8710 x ET_
13	08	Key Outside unlocks/locks trim #41 Cylinder Supplied	NB-8713 x ET_
15	14	Passage Only (No cylinder)	NB-8715 x ET_
40	02	Freewheeling Trim - No outside operation (No Cylinder) Dummy Trim	NB-8740 x ET_
43	08	Freewheeling Trim - Key Outside Unlocks/locks Trim #41 Cylinder Supplied	NB-8743 x ET_
46	09	Freewheeling Trim - Key unlocks Trim, Trim retracts latch/ relocks when key is removed #41 Cylinder Supplied	NB-8746 x ET_
73		Electrified ET Trim - Fail Safe Power Off, Unlocks Lever (No Cylinder)***	NB-8773 x ET_
74		Electrified ET Trim - Fail Secure Power Off, Locks Lever (No Cylinder)***	NB-8774 x ET_

Note: Exit devices are available in all standard finishes, except 14, 15, 26 & 26D. With these finishes, exit devices are supplied in 32 or 32D to match accordingly. 26 or 26D is automatically supplied when 32 or 32D is specified. For nickel finishes, specify 14/32 or 15/32D to receive nickel finished trims and stainless exit devices.
Note: AFF means Above Finished Floor, center line of rail Above Finished Floor
*** Cylinder override is not available with NB-8700 Series Devices

Options


NB-8700

Mechanical Options:

- 12-
- 16-
- 19-
- 31-
- 36-
- 37-
- 43-
- 53-
- 54-
- 55-
- 56-
- 56-HK-
- 57-
- 58-
- 76-
- 85-
- 86-
- 87-
- AL-
- BT-
- CPC-
- LD-
- PL-
- SG-
- TB-
- TL-

Cylinder Options:

- 10-
- 10-21-
- 10UL-
- 10-63-
- 11-
- 11-21-
- 11-60-
- 11-63-
- 11-64-
- 11-70-7P-
- 11-72-7P-
- 11-73-7P-
- 11-65-73-7P-
- 21-
- 22-
- 51-
- 52-
- 60-
- 63-
- 64-
- 70-
- 72-
- 73-
- 65-73-
- 65-73-7P-
- 73-7P-
- 81-
- 82-
- F1-82-
- 83-
- F1-83-
- 84-
- BR-
- LC-
- SC-
- SE-

NB-300 Series Auxiliary Control	SARGENT Function Numbers	ANSI Function Numbers	Description & Cylinder Info (1-3/4" Door)	NB-8700 Panic & Fire
	06	12	Key unlocks Turn, Turn retracts latch/ Turn relocks when key is removed #41 Cylinder Supplied	NB-8710 x 306
NB300 Series Aux. Control	13	11	Key Outside Unlocks/locks Turn #41 Cylinder Supplied	NB-8710 x 313

Note: When ordering NB-8700 Series Exit Device x 300 Series Aux. Control, specify 10 Function for the exit. Example: NB-8710F x NB-306 x RHR x 32D x 42" x 90"

Note: NB-300 Series auxiliary controls are only used with NB-8710 Devices. Auxiliary controls, ordered less hardware, for use with NB-8710 are specified as a NB-306 or NB-313 x finish.

Available Finishes

SARGENT Finishes	BHMA Finishes
03	605
04	606
09	611
10	612
10B	613
10BE	613E
10BL	614
14	618
15	619
20D	624
26	625
26D	626
32	629
32D	630

MD8600 & NB-MD8600 Concealed Vertical Rod Exit Device for Metal Doors

80 Series

SARGENT®
ASSA ABLOY

MD8600 Series Concealed Vertical Rod Exit Device for Metal Doors



Features

- Designed for standard width stile applications on hollow metal doors
- Concealed rods for security and aesthetics
- Single and double door applications
- Specify NB- for less bottom rod
– NB not available with HC and WS options
- Devices are ANSI A156.3 – 2008 Grade 1
- The standard MD8600 is UL Certified to ZHEM.R21744 (HC & WS Option) and FL2998
- UL Fire and Panic listed

Specifications for MD8600 & NB-MD8600 Series Exit

Door Types	Metal Doors, 1-3/4" (44mm) minimum thickness. For doors over 1-3/4" to 2-1/4" thick, specify thickness and order as 31- Option 4-1/2" (114mm) minimum stile width
Rail sizes as determined by door width	Rails are available in 4 sizes, use door width to determine size needed. Rails will be factory cut to size, if door width is supplied <ul style="list-style-type: none"> • E Rail for 24" to 32" door widths, No cutting required for 32" door • F Rail for 33" to 36" door widths, No cutting required for 36" door • J Rail for 37" to 42" door widths, No cutting required for 42" door • G Rail for 43" to 48" door widths, No cutting required for 48" door
Strike	650 Top Strike & 606 Bottom Strike (Panic and Fire Rated)
Dogging Feature	Hex key dogging standard on non fired rated devices; specify 16- for cylinder dogging (#41 cylinder supplied)
Electric Options	AL- Alarm BT- Beacon™ PL- SARGuide Photoluminescent Coated TL- SARGuide Illuminated Touchpad 53- LX Latchbolt Monitor 54- Outside Lever Monitoring 55- Request-to-Exit Signal - Rail Monitoring 56- Remote Latch Retraction 57- Delay Egress & Electromagnets 58- Electric Dogging 59- Electroguard – Self Contained Delayed Egress (NB- Excluded)
Mounting Fasteners	Supplied standard with machine screws
Top Bolt	Stainless steel
Device Centerline from Finished Floor	41" (1041mm) for Standard Applications 38" (965mm) for elementary schools and to meet local accessibility standards when a 100 Series Auxiliary Control is used
Door/Opening Height	Must be specified - 120" (3048mm) Max Door Opening 96" max door height for HC and WS options
Center Case Dimensions	8-3/8" (213mm) x 2-5/8" (67mm)
Projection	Pushbar Neutral – 3" (76mm) Pushbar Depressed – 2-1/8" (54mm)
Fire Exit Hardware	See Chart – Page 3

Note: MD8600 & 12-MD8600 can be used as NB- Device by simply not installing the bottom rod/bolt.

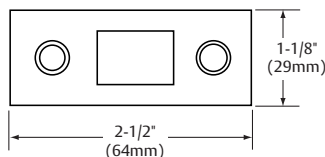
Note: 12-NB Applications require thermal pin. Thermal Pin supplied when ordered as a 12-NB Device

100 Series Aux Control

- Available as an 06 or 13 function
- Supplied with a SARGENT #41 Mortise Cylinder
- Can be used with any SARGENT Mortise Key System

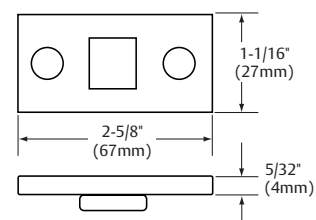


650 Top Strike



- For application in hollow metal frames
- Stainless steel nylon coated

606 Bottom Strike



- Furnished with expansion shields
- Mortised into floor
- Stainless steel

Copyright © 1998-2014, Sargent Manufacturing Company, an ASSA ABLOY Group company. All rights reserved. Reproduction in whole or in part without the express written permission of Sargent Manufacturing Company is prohibited.

90641-M 1/15/14

MD8600 & NB-MD8600 Functions & Trims for Metal Doors

80 Series



How to order: Options 57-NB- Series MD86 Function 13 Rail Lgth F Trim ETL Hand RHR Outside Finish 03 Inside Finish 03 Door Width 36" Door Height 84" AFF 41"

700 Series ET Trim



Exits with ET Trim, specify lever design after the ET designation (e.g., ETL)

SARGENT Function Numbers	ANSI Function Numbers	Description & Cylinder Info (1-3/4" Door)	ANSI Type 8 MD8600 Panic & Fire
06	09	Key unlocks Trim, Trim retracts latch/ Trim relocks when key is removed #41 Cylinder Supplied	MD8606 x ET_
10	01	No outside operation (No Cylinder)**	MD8610
10	02	No outside operation (No Cylinder)** ET Control is used as Pull Only	MD8610 x ET_
13	08	Key Outside Unlocks/locks Trim #41 Cylinder Supplied	MD8613 x ET_
15	14	Passage Only (No cylinder)	MD8615 x ET_
40	02	Freewheeling Trim - No outside Operation (No Cylinder)** Dummy Trim	MD8640 x ET_
43	08	Freewheeling Trim - Key Outside Unlocks/locks Trim #41 Cylinder Supplied	MD8643 x ET_
46	09	Freewheeling Trim - Key unlocks Trim, Trim retracts latch/ Trim relocks when key is removed #41 Cylinder Supplied	MD8646 x ET_
73		Electrified ET Trim - Fail Safe Power Off, Unlocks Lever (No Cylinder)**	MD8673 x ET_
74		Electrified ET Trim - Fail Secure Power Off, Locks Lever (No Cylinder)**	MD8674 x ET_

Lever Designs for ET Controls

A, B, E, F, J, L, P, W
Also available with Coastal Series & Studio Collection Levers

ET Designation with Suffix (Used to order ET without device)

MD8600 & NB-MD8600 Series:
706-4, 710-4, 713-4, 715-4, 740-4, 743-4, 746-4, 773-4, & 774-4

Freewheeling Trim

The lever rotates when the door is locked preventing excessive force from being applied to the horizontal lever

Electrified ET Trim

Voltage must be specified for the following functions: 73 and 74.
Specify: 12VDC or 24VDC

Note: Exit devices are available in all standard finishes, except 14, 15, 26 & 26D. With these finishes, exit devices are supplied in 32 or 32D to match accordingly. 26 or 26D is automatically supplied when 32 or 32D is specified. For nickel finishes, specify 14/32 or 15/32D to receive nickel finished trims and stainless exit devices.

Note: AFF means Above Finished Floor, center line of rail Above Finished Floor

** Cylinder Override is available with a 106 Aux Control

Example Order: MD8673F 12V x ETMG x 106 x RHR x 32D x 36" w x 84" h

100 Series Auxiliary Control++ & 862 Pull



100 Series Aux. Control



862 Pull

SARGENT Function Numbers	ANSI Function Numbers	Description & Cylinder Info (1-3/4" Door)	MD8600 Panic & Fire
06	12	Key unlocks Turn, Turn retracts latch/ Turn relocks when key is removed #41 Cylinder Supplied	MD8610 x 106
10	02	862 Pull Only (Optional Pulls: 863 & 864)	MD8610 x 862 Pull
13	11	Key Outside Unlocks/locks Turn #41 Cylinder Supplied	MD8610 x 113

Note: When ordering MD8600/NB-MD8600 Series Exit Device x 100 Series Aux. Control, specify 10 Function for the exit.
Example: MD8610F x 106 x RHR x 32D x 42" x 90"

++ **Note:** Exit Devices must be mounted 38" AFF when used with a 100 Series Auxiliary Controls to meet ICC/ANSI A117.1-2003 Accessible & Usable Buildings and Facilities Code

Options MD8600

Mechanical Options:

- 12-
- 16-
- 19-
- 31-
- 36-
- 37-
- 43-
- 53-
- 54-
- 55-
- 56-
- 56-HK-
- 57-
- 58-
- 59-
- BC-59-
- 76-
- 85-
- 86-
- 87-
- AL-
- BT-
- CPC-
- HC-
- LD-
- NB-
- PL-
- SG-
- TL-
- WS-

Cylinder Options:

- 10-
- 10-21-
- 10UL-
- 10-63-
- 11-
- 11-21-
- 11-60-
- 11-63-
- 11-64-
- 11-70-7P-
- 11-72-7P-
- 11-73-7P-
- 11-65-73-7P-
- 21-
- 22-
- 51-
- 52-
- 60-
- 63-
- 64-
- 70-
- 72-
- 73-
- 65-73-
- 65-73-7P-
- 73-7P-
- 81-
- 82-
- F1-82-
- 83-
- F1-83-
- 84-
- BR-
- LC-
- SC-
- SE-

Available Finishes

SARGENT Finishes	BHMA Finishes
03	605
04	606
09	611
10	612
10B	613
10BE	613E
10BL	614
14	618
15	619
20D	624
26	625
26D	626
32	629
32D	630

AD8600 & NB-AD8600 Concealed Vertical Rod Exit Device for Aluminum Doors

80 Series

SARGENT®

ASSA ABLOY

AD8600 Series

Concealed Vertical Rod Exit Device
for Aluminum Doors

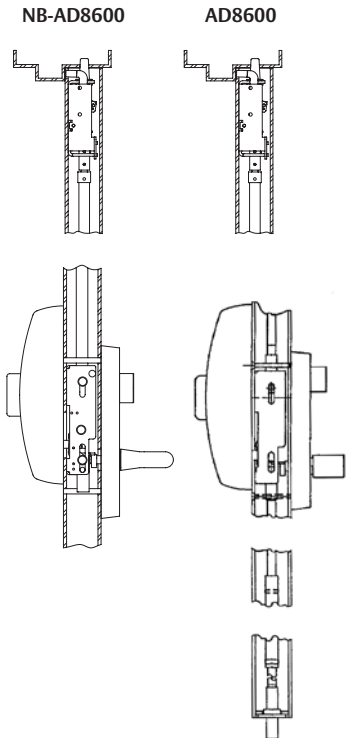


Features

- Designed for standard width stile applications on aluminum doors
- Concealed rods for security and aesthetics
- Single and double door applications
- Specify NB- for less bottom rod
- Devices are ANSI A156.3 – 2008 Grade 1
- UL Panic listed only

Specifications for AD8600 & NB-AD8600 Series Exit

Door Types	Aluminum, 1-3/4" (44mm) minimum thickness. For doors over 1-3/4" to 2-1/4" thick, specify thickness and order as 31- Option 4-1/2" (114mm) minimum stile width
Rail sizes as determined by door width	Rails are available in 4 sizes, use door width to determine size needed. Rails will be factory cut to size, if door width is supplied <ul style="list-style-type: none"> • E Rail for 24" to 32" door widths, No cutting required for 32" door • F Rail for 33" to 36" door widths, No cutting required for 36" door • J Rail for 37" to 42" door widths, No cutting required for 42" door • G Rail for 43" to 48" door widths, No cutting required for 48" door
Strike	640 Strikes for Top & Bottom Strike
Dogging Feature	Hex key dogging standard on non fired rated devices; specify 16- for cylinder dogging (#41 cylinder supplied)
Electric Options	AL- Alarm BT- Beacon™ PL- SARGuide Photoluminescent Coated TL- SARGuide Illuminated Touchpad 53- LX Latchbolt Monitor 54- Outside Lever Monitoring 55- Request-to-Exit Signal - Rail Monitoring 56- Remote Latch Retraction 57- Delay Egress & Electromagnets 58- Electric Dogging 59- Electroguard – Self Contained Delayed Egress (NB- Excluded)
Mounting Fasteners	Supplied standard with machine screws
Top Bolt	Stainless steel
Device Centerline from Finished Floor	41" (1041mm) for Standard Applications 38" (965mm) for elementary schools and to meet local accessibility standards when a 100 Series Auxiliary Control is used
Door/Opening Height	Must be specified - 120" (3048mm) Max Door Opening
Center Case Dimensions	8-3/8" (213mm) x 2-5/8" (67mm)
Projection	Pushbar Neutral – 3" (76mm) Pushbar Depressed – 2-1/8" (54mm)
Fire Exit Hardware	Not Available



Note: AD8600 can be used as NB- Device by simply not installing the bottom rod/bolt.

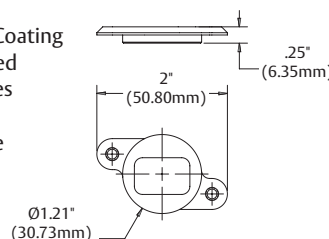
100 Series Aux Control

- Available as an 06 or 13 function
- Supplied with a SARGENT #41 Mortise Cylinder
- Can be used with any SARGENT Mortise Key System



639/640 Strike Kits

- Steel with Black Nylon Coating
- Machine Screws Supplied
- 640 Kit contains 2 strikes (Top & Bottom)
- 639 Kit contains 1 strike (Top Only)



Copyright © 1998-2014, Sargent Manufacturing Company, an ASSA ABLOY Group company. All rights reserved. Reproduction in whole or in part without the express written permission of Sargent Manufacturing Company is prohibited.

90641-M 1/15/14

AD8600 & NB-AD8600

Functions & Trims for Aluminum Doors

80 Series

SARGENT®

ASSA ABLOY

How to order: Options 56-NB- Series AD86 Function 13 Rail Lgth F Trim ETL Hand RHR Outside Finish 15 Inside Finish 32D Door Width 36" Door Height 84" AFF 41"

700 Series ET Trim



Exits with ET Trim, specify lever design after the ET designation (e.g., ETL)

SARGENT Function Numbers	ANSI Function Numbers	Description & Cylinder Info (1-3/4" Door)	ANSI Type 8 AD8600 Panic
06	09	Key unlocks Trim, Trim retracts latch/ Trim relocks when key is removed #41 Cylinder Supplied	AD8606 x ET_
10	01	No outside operation (No Cylinder)**	AD8610
10	02	No outside operation (No Cylinder)** ET Control is used as Pull Only	AD8610 x ET_
13	08	Key Outside Unlocks/locks Trim #41 Cylinder Supplied	AD8613 x ET_
15	14	Passage Only (No cylinder)	AD8615 x ET_
40	02	Freewheeling Trim - No outside operation (No Cylinder)** Dummy Trim	AD8640 x ET_
43	08	Freewheeling Trim - Key Outside Unlocks/locks Trim #41 Cylinder Supplied	AD8643 x ET_
46	09	Freewheeling Trim - Key unlocks Trim, Trim retracts latch/ Trim relocks when key is removed #41 Cylinder Supplied	AD8646 x ET_
73		Electrified ET Trim - Fail Safe Power Off, Unlocks Lever (No Cylinder)**	AD8673 x ET_
74		Electrified ET Trim - Fail Secure Power Off, Locks Lever (No Cylinder)**	AD8674 x ET_

Lever Designs for ET Controls

A, B, E, F, J, L, P, W
Also available with Coastal Series & Studio Collection Levers

ET Designation with Suffix (Used to order ET without device)

AD8600 & NB-AD8600 Series:
706-4, 710-4, 713-4, 715-4, 740-4, 743-4, 746-4, 773-4, & 774-4

Freewheeling Trim

The lever rotates when the door is locked preventing excessive force from being applied to the horizontal lever

Electrified ET Trim

Voltage must be specified for the following functions: 73 and 74.
Specify: 12VDC or 24VDC

Note: Exit devices are available in all standard finishes, except 14, 15, 26 & 26D. With these finishes, exit devices are supplied in 32 or 32D to match accordingly. 26 or 26D is automatically supplied when 32 or 32D is specified. For nickel finishes, specify 14/32 or 15/32D to receive nickel finished trims and stainless exit devices.

Note: AFF means Above Finished Floor, center line of rail Above Finished Floor

** Cylinder Override is available with a 106 Aux Control

Example Order: AD8673F 12V x ETMG x 106 x RHR x 32D x 36" w x 84" h

100 Series Auxiliary Control++ & 862 Pull



100 Series Aux. Control



862 Pull

SARGENT Function Numbers	ANSI Function Numbers	Description & Cylinder Info (1-3/4" Door)	AD8600 Panic
06	12	Key unlocks Turn, Turn retracts latch/ Turn relocks when key is removed #41 Cylinder Supplied	AD8610 x 106
10	02	862 Pull Only (Optional Pulls: 863 & 864)	AD8610 x 862 Pull
13	11	Key Outside Unlocks/locks Turn #41 Cylinder Supplied	AD8610 x 113

Note: When ordering AD8600/NB-AD8600 Series Exit Device x 100 Series Aux. Control, specify 10 Function for the exit.
Example: AD8610F x 106 x RHR x 32D x 42" x 90"

++ **Note:** Exit Devices must be mounted 38" AFF when used with a 100 Series Auxiliary Controls to meet ICC/ANSI A117.1-2003 Accessible & Usable Buildings and Facilities Code

Options AD8600
Mechanical Options:
16-
19-
31-
36-
37-
43-
53-
54-
55-
56-
56-HK-
57-
58-
59-
BC-59-
76-
85-
86-
87-
AL-
BT-
CPC-
LD-
NB-
PL-
SG-
TL-
Cylinder Options:
10-
10-21-
10UL-
10-63-
11-
11-21-
11-60-
11-63-
11-64-
11-70-7P-
11-72-7P-
11-73-7P-
11-65-73-7P-
21-
22-
51-
52-
60-
63-
64-
70-
72-
73-
65-73-
65-73-7P-
73-7P-
81-
82-
F1-82-
83-
F1-83-
84-
BR-
LC-
SC-
SE-

Available Finishes	
SARGENT Finishes	BHMA Finishes
03	605
04	606
09	611
10	612
10B	613
10BE	613E
10BL	614
14	618
15	619
20D	624
26	625
26D	626
32	629
32D	630

WD8600 & NB-WD8600 Concealed Vertical Rod Exit Device for Wood Doors

80 Series

SARGENT®

ASSA ABLOY



WD8600 Series
**Concealed Vertical Rod Exit Device
for Wood Doors**

Features

- Designed for standard width stile applications on wood doors
- Concealed rods offer security
- Single and double door applications
- Specify NB- for less bottom rod
- Devices are ANSI A156.3 – 2008 Grade 1
- UL Fire and Panic listed

Specifications for WD8600 & NB-WD8600 Series Exit

Door Types	Wood, 1-3/4" (44mm) minimum thickness. For doors over 1-3/4" to 2-1/4" thick, specify thickness and order as 31- Option 4-1/2" (114mm) minimum stile width
Rail sizes as determined by door width	Rails are available in 4 sizes, use door width to determine size needed. Rails will be factory cut to size, if door width is supplied <ul style="list-style-type: none"> • E Rail for 24" to 32" door widths, No cutting required for 32" door • F Rail for 33" to 36" door widths, No cutting required for 36" door • J Rail for 37" to 42" door widths, No cutting required for 42" door • G Rail for 43" to 48" door widths, No cutting required for 48" door
Strike	650 Top Strike & 606 Bottom Strike (Panic and Fire Rated)
Dogging Feature	Hex key dogging standard on non fired rated devices; specify 16- for cylinder dogging (#41 cylinder supplied)
Electric Options	AL- Alarm BT- Beacon™ PL- SARGuide Photoluminescent Coated TL- SARGuide Illuminated Touchpad 53- LX Latchbolt Monitor 54- Outside Lever Monitoring 55- Request-to-Exit Signal - Rail Monitoring 56- Remote Latch Retraction 57- Delay Egress & Electromagnets 58- Electric Dogging 59- Electroguard – Self Contained Delayed Egress (NB- Excluded)
Mounting Fasteners	Supplied standard with wood screws
Top Bolt	Stainless steel
Device Centerline from Finished Floor	41" (1041mm) for Standard Applications 38" (965mm) for elementary schools and to meet local accessibility standards when a 100 Series Auxiliary Control is used
Door/Opening Height	Must be specified - 108" (2743mm) Max Door Opening
Center Case Dimensions	8-3/8" (213mm) x 2-5/8" (67mm)
Projection	Pushbar Neutral – 3" (76mm) Pushbar Depressed – 2-1/8" (54mm)
Fire Exit Hardware	See Chart – Page 3

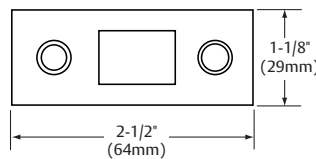
Note: WD8600 & 12-WD8600 can be used as NB- Device by simply not installing the bottom rod/bolt.
Note: 12-NB applications require thermal pin. Thermal pin supplied when ordered as a 12-NB device

100 Series Aux Control

- Available as an 06 or 13 function
- Supplied with a SARGENT #41 Mortise Cylinder
- Can be used with any SARGENT Mortise Key System

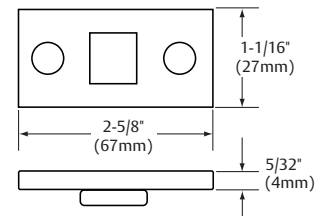


650 Top Strike



- For application in hollow metal frames
- Stainless steel

606 Bottom Strike



- Furnished with expansion shields
- Mortised into floor
- Stainless steel

Copyright © 1998-2014, Sargent Manufacturing Company, an ASSA ABLOY Group company. All rights reserved. Reproduction in whole or in part without the express written permission of Sargent Manufacturing Company is prohibited.

90641-M 1/15/14

WD8600 & NB-WD8600

Functions & Trims for Wood Doors

80 Series

SARGENT®

ASSA ABLOY

How to order:	Options 58-NB-	Series WD86	Function 13	Rail Lgth F	Trim ETL	Hand RHR	Outside Finish 26D	Inside Finish 32D	Door Width 36"	Door Height 84"	AFF 41"
----------------------	--------------------------	-----------------------	-----------------------	-----------------------	--------------------	--------------------	------------------------------	-----------------------------	--------------------------	---------------------------	-------------------

700 Series ET Trim



Exits with ET Trim, specify lever design after the ET designation (e.g., ETL)

Lever Designs for ET Controls

A, B, E, F, J, L, P, W
Also available with Coastal Series & Studio Collection Levers

ET Designation with Suffix (Used to order ET without device)

MD8600 & NB-MD8600 Series:
706-4, 710-4, 713-4, 715-4, 740-4,
743-4, 746-4, 773-4, & 774-4

Freewheeling Trim

The lever rotates when the door is locked preventing excessive force from being applied to the horizontal lever

Electrified ET Trim

Voltage must be specified for the following functions: 73 and 74.
Specify: 12VDC or 24VDC

SARGENT Function Numbers	ANSI Function Numbers	Description & Cylinder Info (1-3/4" Door)	ANSI Type 7 WD8600 Panic & Fire
06	09	Key unlocks Trim, Trim retracts latch/ Trim relocks when key is removed #41 Cylinder Supplied	WD8606 x ET_
10	01	No outside operation (No Cylinder)**	WD8610
10	02	No outside operation (No Cylinder)** ET Control is used as Pull Only	WD8610 x ET_
13	08	Key Outside Unlocks/locks Trim #41 Cylinder Supplied	WD8613 x ET_
15	14	Passage Only (No cylinder)	WD8615 x ET_
40	02	Freewheeling Trim - No outside operation (No Cylinder)** Dummy Trim	WD8640 x ET_
43	08	Freewheeling Trim - Key Outside Unlocks/locks Trim #41 Cylinder Supplied	WD8643 x ET_
46	09	Freewheeling Trim - Key unlocks Trim, Trim retracts latch/ Trim relocks when key is removed #41 Cylinder Supplied	WD8646 x ET_
73		Electrified ET Trim - Fail Safe Power Off, Unlocks Lever (No Cylinder)**	WD8673 x ET_
74		Electrified ET Trim - Fail Secure Power Off, Locks Lever (No Cylinder)**	WD8674 x ET_

Note: Exit devices are available in all standard finishes, except 14, 15, 26 & 26D. With these finishes, exit devices are supplied in 32 or 32D to match accordingly. 26 or 26D is automatically supplied when 32 or 32D is specified. For nickel finishes, specify 14/32 or 15/32D to receive nickel finished trims and stainless exit devices.

Note: AFF means Above Finished Floor, center line of rail Above Finished Floor
** Cylinder Override is available with a 106 Aux Control

Example Order: WD8673F 12V x ETMG x 106 x RHR x 32D x 36"w x 84"h

100 Series Auxiliary Control++ & 862 Pull



SARGENT Function Numbers	ANSI Function Numbers	Description & Cylinder Info (1-3/4" Door)	WD8600 Panic & Fire
06	12	Key unlocks Turn, Turn retracts latch/ Turn relocks when key is removed #41 Cylinder Supplied	WD8610 x 106
10	02	862 Pull Only (Optional Pulls: 863 & 864)	WD8610 x 862 Pull
13	11	Key Outside Unlocks/locks Turn #41 Cylinder Supplied	WD8610 x 113

Note: When ordering WD8600/NB-WD8600 Series Exit Device x 100 Series Aux. Control, specify 10 Function for the exit.
Example: WD8610F x 106 x RHR x 32D x 42" x 90"

++ **Note:** Exit Devices must be mounted 38" AFF when used with a 300 Series Auxiliary Controls to meet ICC/ANSI A117.1-2003 Accessible & Usable Buildings and Facilities Code

Options

WD8600

Mechanical Options:

12-
16-
19-
31-
36-
37-
43-
53-
54-
55-
56-
56-HK-
57-
58-
59-
BC-59-
76-
85-
86-
87-
AL-
BT-
CPC-
LD-
NB-
PL-
SG-
TL-

Cylinder Options:

10-
10-21-
10UL-
10-63-
11-
11-21-
11-60-
11-63-
11-64-
11-70-7P-
11-72-7P-
11-73-7P-
11-65-73-7P-
21-
22-
51-
52-
60-
63-
64-
70-
72-
73-
77-
65-73-
65-73-7P-
73-7P-
81-
82-
F1-82-
83-
F1-83-
84-
BR-
LC-
SC-
SE-

Available Finishes

SARGENT Finishes	BHMA Finishes
03	605
04	606
09	611
10	612
10B	613
10BE	613E
10BL	614
14	618
15	619
20D	624
26	625
26D	626
32	629
32D	630

Copyright © 1998-2014, Sargent Manufacturing Company, an ASSA ABLOY Group company. All rights reserved.
Reproduction in whole or in part without the express written permission of Sargent Manufacturing Company is prohibited.

90641-M 1/15/14

8500 Narrow Design Rim Exit Device

80 Series



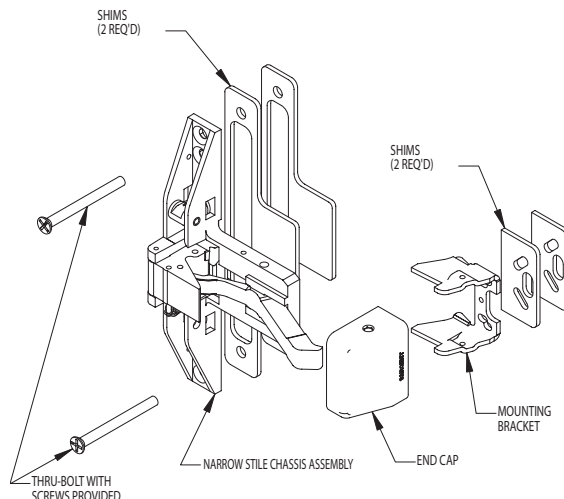
8500 Series
Narrow Design Rim Exit Device

Specifications for 8500 Series Exit

Door Types	Wood or metal 1-3/4" (44mm) minimum thickness. For doors over 1-3/4" to 2-1/4" thick, specify thickness and order as 31- option. 2" (114mm) minimum stile (Less Trim)
Rail sizes as determined by door width	Rails are available in 4 sizes, use door width to determine size needed. Rails will be factory cut to size, if door width is supplied <ul style="list-style-type: none"> • E Rail for 24" to 32" door widths • F Rail for 33" to 36" door widths • J Rail for 37" to 42" door widths • G Rail for 43" to 48" door widths
Strike	657 Strike, Supplied standard for panic devices 656 Strike, Supplied standard for panic devices 649 Strike, Supplied standard for fired rated devices Optional Strikes – 649, 658 Standard with 650A Mullion
Dogging Feature	Hex key dogging standard on non fired rated devices; specify 16- for cylinder dogging (#41 cylinder supplied)
Electric Options	AL- Alarm BT- Beacon™ PL- SARGuide Photoluminescent Coated TL- SARGuide Illuminated Touchpad 53- LX Latchbolt Monitor 54- Outside Lever Monitoring 55- Request-to-Exit Signal - Rail Monitoring 56- Remote Latch Retraction 57- Delay Egress & Electromagnets 58- Electric Dogging 59- Electroguard – Self Contained Delayed Egress
Mounting Fasteners	Supplied standard with wood and machine screws Available with through-bolts and mortise (sex) nuts
Latch Bolt	Stainless steel, 3/4" (19mm) throw
Device Centerline from Finished Floor	41" (1041 mm) for Standard Applications
Center Case Dimensions	8-5/16" (211mm) x 1-1/16" (27mm)
Projection	Pushbar Neutral – 3" (77mm) Pushbar Depressed – 2-1/8" (54mm)
Fire Exit Hardware	See Chart – Page 3

668 Shim Kits for 8500

- Two Chassis Shims and Two End Cap Shims
- Shims are 1/8" for a total height of 1/4"



8500 Features

- Designed for narrow stile applications (e.g., aluminum frame full glass doors)
- Single and double doors with mullion
- Single point rim latching device
- Quiet operation and solid security
- Devices are ANSI A156.3 – 2008 Grade 1
- UL Fire and Panic listed

649 Standard Strike for 12-8500



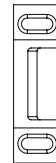
- Surface applied
- Black nylon coated

651 Mullion Stabilizer Kit



- Stabilizer block
- Furnished standard w/650A Mullion
- Order as a 651 Kit

656 Mullion Strike



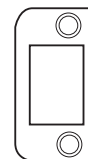
- Surface applied
- Use with 980 mullions
- Black nylon coated

657 Standard Strike for 8500



- Surface applied or mortised
- For use on frames with blade stop or integral stop
- Black nylon coated

658 Strike alternative for 8500



- Packed standard with 650A mullion
- Can be ordered separately for surface application to frames
- Black nylon coated

8500 Narrow Design Rim Exit Device

80 Series

How to order:	Options F1-83-56	Series 85	Function 13	Rail Lgth F	Trim ETL	Hand RHR	Outside Finish 15	Inside Finish 32D	Door Width 36"
----------------------	----------------------------	---------------------	-----------------------	-----------------------	--------------------	--------------------	-----------------------------	-----------------------------	--------------------------

700 Series ET Trim



Exits with ET Trim, specify lever design after the ET designation (e.g., ETL)

Lever Designs for ET Controls

A, B, E, F, J, L, P, W

Also available with Coastal Series & Studio Collection Levers

ET Designation with Suffix (Used to order ET without device)

8500 Series: 704, 706-8, 710, 713-8, 715-8, 740, 743-8, 744, 746-8, 773-8 & 774-8

Freewheeling Trim

The lever rotates when the door is locked preventing excessive force from being applied to the horizontal lever

Electrified ET Trim

Voltage must be specified for the following functions: 73 and 74. Specify: 12VDC or 24VDC

SARGENT Function Numbers	ANSI Function Numbers	Description & Cylinder Info. (1-3/4" Door)	ANSI Type 4 8500 Panic
04	03	Night Latch Key Retracts Latch #34 Cylinder Supplied	8504 x ET_
06	09	Key unlocks Trim, Trim retracts latch/ Trim relocks when key is removed #41 Cylinder Supplied	8506 x ET_
10	01	No outside operation (No Cylinder)	8510
10	02	No outside operation (No Cylinder) ET Control is used as Pull Only	8510 x ET_
13	08	Key Outside Unlocks/locks Trim #41 Cylinder Supplied	8513 x ET_
15	14	Passage Only (No cylinder)	8515 x ET_
40	02	Freewheeling Trim - No outside operation (No Cylinder) Dummy Trim	8540 x ET_
43	08	Freewheeling Trim - Key Outside Unlocks/locks Trim #41 Cylinder Supplied	8543 x ET_
44	03	Freewheeling Trim - Key Retracts Latch #34 Cylinder Supplied	8544 x ET_
46	09	Freewheeling Trim - Key unlocks Trim, Trim retracts latch/ Trim relocks when key is removed #41 Cylinder Supplied	8546 x ET_
73		Electrified ET Trim - Fail Safe Power Off, Unlocks Lever (No Cylinder)***	8573 x ET_
74		Electrified ET Trim - Fail Secure Power Off, Locks Lever (No Cylinder)***	8574 x ET_

Note: Exit devices are available in all standard finishes, except 14, 15, 26 & 26D. With these finishes, exit devices are supplied in 32 or 32D to match accordingly. 26 or 26D is automatically supplied when 32 or 32D is specified. For nickel finishes, specify 14/32 or 15/32D to receive nickel finished trims and stainless exit devices.

*** Cylinder override is not available with 8500 Series Devices

Options

8500

Mechanical Options:

- 16-
- 19-
- 31-
- 36-
- 37-
- 43-
- 53-
- 54-
- 55-
- 56-
- 56-HK-
- 57-
- 58-
- 59-
- BC-59-
- 76-
- 85-
- 86-
- 87-
- AL-
- BT-
- CPC-
- GL-
- LD-
- PL-
- SG-
- TL-
- Cylinder Options:**
- 10-
- 10-21-
- 10UL-
- 10-63-
- 11-
- 11-21-
- 11-60-
- 11-63-
- 11-64-
- 11-70-7P-
- 11-72-7P-
- 11-73-7P-
- 11-65-73-7P-
- 21-
- 22-
- 51-
- 52-
- 60-
- 63-
- 64-
- 70-
- 72-
- 73-
- 65-73-
- 65-73-7P-
- 73-7P-
- 81-
- 82-
- F1-82-
- 83-
- F1-83-
- 84-
- BR-
- LC-
- SC-
- SE-

Series



8500 Panic

Trim designations

Pull Trim Section	SARGENT Function Numbers	ANSI Function Numbers	Description & Cylinder Info. (1-3/4" Door)
 862 Pull	04	03	Night Latch Key Retracts Latch #34 Cylinder Supplied
	10	02	862 Pull Only (Optional Pulls: 863 & 864)

Available Finishes

SARGENT Finishes	BHMA Finishes
03	605
04	606
09	611
10	612
10B	613
10BE	613E
10BL	614
14	618
15	619
20D	624
26	625
26D	626
32	629
32D	630

AD8500 Narrow Design Rim Exit Device for Aluminum Doors

80 Series

SARGENT®

ASSA ABLOY



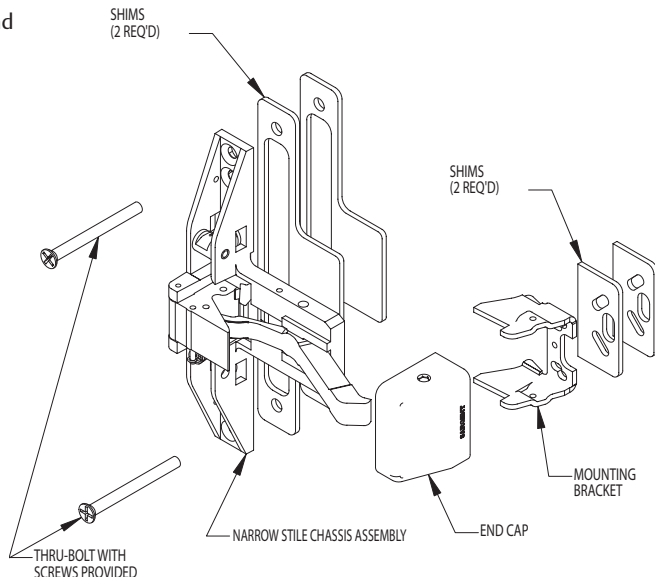
AD8500 Series
Narrow Design Rim Exit Device

Specifications for AD8500 Series Exit

Door Types	Aluminum 1-3/4" (44mm) minimum thickness. For doors over 1-3/4" to 2-1/4" thick, specify thickness and order as 31- option. 2" (114mm) minimum stile (Less trim)
Rail sizes as determined by door width	Rails are available in 4 sizes, use door width to determine size needed. Rails will be factory cut to size, if door width is supplied <ul style="list-style-type: none"> • E Rail for 24" to 32" door widths • F Rail for 33" to 36" door widths • J Rail for 37" to 42" door widths • G Rail for 43" to 48" door widths
Strike	657 Strike, Supplied standard for panic devices 656 Strike, Supplied standard for panic devices 649 Strike, Supplied standard for fired rated devices Optional Strikes – 649, 658 Standard with 650A Mullion
Dogging Feature	Hex key dogging standard; specify 16- for cylinder dogging (#41 cylinder supplied)
Electric Options	AL- Alarm BT- Beacon™ PL- SARGuide Photoluminescent Coated TL- SARGuide Illuminated Touchpad 53- LX Latchbolt Monitor 54- Outside Lever Monitoring 55- Request-to-Exit Signal - Rail Monitoring 56- Remote Latch Retraction 57- Delay Egress & Electromagnets 58- Electric Dogging 59- Electroguard – Self Contained Delayed Egress
Mounting Fasteners	Supplied standard with wood and machine screws Available with through-bolts and mortise (sex) nuts
Latch Bolt	Stainless steel, 3/4" (19mm) throw
Device Centerline from Finished Floor	41" (1041 mm) for Standard Applications
Center Case Dimensions	8-5/16" (211mm) x 1-1/16" (27mm)
Projection	Pushbar Neutral – 3" (77mm) Pushbar Depressed – 2-1/8" (54mm)

535 Kit for Windstorm Applications (WS-AD8500)

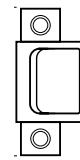
- Two Chassis Shims and Two End Cap Shims
- Shims are 1/8" for a total height of 1/4"
- 649 Strike Pack
- 651 Stabilizer Kit



AD8500 Features

- Designed for narrow stile applications (e.g., aluminum frame full glass doors)
- Single and double doors with mullion
- Single point rim latching device
- Quiet operation and solid security
- Devices are ANSI A156.3 – 2008 Grade 1
- Available Windstorm-rated; order WS-

657 Standard Strike for 8500



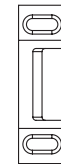
- Surface applied or mortised
- For use on frames with blade stop or integral stop
- Black nylon coated

651 Mullion Stabilizer Kit



- Stabilizer block
- Furnished standard w/650A Mullion
- Order as a 651 Kit

656 Mullion Strike



- Surface applied
- Use with 980 mullions
- Black nylon coated

604 Wear Plate Kit



- Surface applied
- Accommodates all sizes of door frame face

Copyright © 1998-2014, Sargent Manufacturing Company, an ASSA ABLOY Group company. All rights reserved. Reproduction in whole or in part without the express written permission of Sargent Manufacturing Company is prohibited.

90641-M 1/15/14

AD8500 Narrow Design Rim Exit Device

80 Series

How to order:	Options F1-83-56	Series AD85	Function 13	Rail Lgth F	Trim ETL	Hand RHR	Outside Finish 15	Inside Finish 32D	Door Width 36"
----------------------	----------------------------	-----------------------	-----------------------	-----------------------	--------------------	--------------------	-----------------------------	-----------------------------	--------------------------

700 Series ET Trim



Exits with ET Trim, specify lever design after the ET designation (e.g., ETL)

Lever Designs for ET Controls

A, B, E, F, J, L, P, W

Also available with Coastal Series & Studio Collection Levers

ET Designation with Suffix (Used to order ET without device)

AD8500 Series: 704, 706-8, 710, 713-8, 715-8, 740, 743-8, 744, 746-8, 773-8 & 774-8

Freewheeling Trim

The lever rotates when the door is locked preventing excessive force from being applied to the horizontal lever

Electrified ET Trim

Voltage must be specified for the following functions: 73 and 74. Specify: 12VDC or 24VDC

SARGENT Function Numbers	ANSI Function Numbers	Description & Cylinder Info. (1-3/4" Door)	ANSI Type 4 AD8500 Panic
04	03	Night Latch Key Retracts Latch #34 Cylinder Supplied	AD8504 x ET_
06	09	Key unlocks Trim, Trim retracts latch/ Trim relocks when key is removed #41 Cylinder Supplied	AD8506 x ET_
10	01	No outside operation (No Cylinder)	AD8510
10	02	No outside operation (No Cylinder) ET Control is used as Pull Only	AD8510 x ET_
13	08	Key Outside Unlocks/locks Trim #41 Cylinder Supplied	AD8513 x ET_
15	14	Passage Only (No cylinder)	AD8515 x ET_
40	02	Freewheeling Trim - No outside operation (No Cylinder) Dummy Trim	AD8540 x ET_
43	08	Freewheeling Trim - Key Outside Unlocks/locks Trim #41 Cylinder Supplied	AD8543 x ET_
44	03	Freewheeling Trim - Key Retracts Latch #34 Cylinder Supplied	AD8544 x ET_
46	09	Freewheeling Trim - Key unlocks Trim, Trim retracts latch/ Trim relocks when key is removed #41 Cylinder Supplied	AD8546 x ET_
73		Electrified ET Trim - Fail Safe Power Off, Unlocks Lever (No Cylinder)***	AD8573 x ET_
74		Electrified ET Trim - Fail Secure Power Off, Locks Lever (No Cylinder)***	AD8574 x ET_

Note: Exit devices are available in all standard finishes, except 14, 15, 26 & 26D. With these finishes, exit devices are supplied in 32 or 32D to match accordingly. 26 or 26D is automatically supplied when 32 or 32D is specified. For nickel finishes, specify 14/32 or 15/32D to receive nickel finished trims and stainless exit devices.

*** Cylinder override is not available with AD8500 Series Devices

Options

AD8500

Mechanical Options:

- 16-
- 19-
- 31-
- 36-
- 37-
- 43-
- 53-
- 54-
- 55-
- 56-
- 56-HK-
- 57-
- 58-
- 59-
- BC-59-
- 76-
- 85-
- 86-
- 87-
- AL-
- BT-
- CPC-
- GL-
- LD-
- PL-
- SG-
- TL-
- WS-

Cylinder Options:


- 10-
- 10-21-
- 10UL-
- 10-63-
- 11-
- 11-21-
- 11-60-
- 11-63-
- 11-64-
- 11-70-7P-
- 11-72-7P-
- 11-73-7P-
- 11-65-73-7P-
- 21-
- 22-
- 51-
- 52-
- 60-
- 63-
- 64-
- 70-
- 72-
- 73-
- 65-73-
- 65-73-7P-
- 73-7P-
- 81-
- 82-
- F1-82-
- 83-
- F1-83-
- 84-
- BR-
- LC-
- SC-
- SE-

Series



AD8500 Panic

Trim designations

Pull Trim Section	SARGENT Function Numbers	ANSI Function Numbers	Description & Cylinder Info. (1-3/4" Door)
 862 Pull	04	03	Night Latch Key Retracts Latch #34 Cylinder Supplied
	10	02	862 Pull Only (Optional Pulls: 863 & 864)

Available Finishes

SARGENT Finishes	BHMA Finishes
03	605
04	606
09	611
10	612
10B	613
10BE	613E
10BL	614
14	618
15	619
20D	624
26	625
26D	626
32	629
32D	630

8300 Narrow Design Mortise Lock Exit Device

80 Series

SARGENT®

ASSA ABLOY



**8300 Series
Narrow Design Mortise Lock Exit Device**

8300 Features

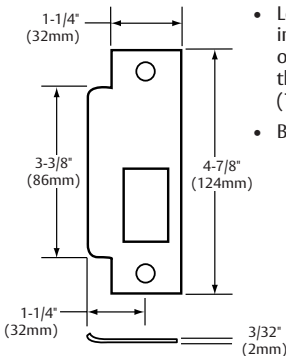
- Designed for standard width stiles with a narrow design look
- Through-bolted trim for quiet operation and security
- Single door applications
- Double door applications with Mortise Lock x Vertical Rod Device
- UL Fire and Panic listed

Specifications for 8300 Mortise Lock Exit

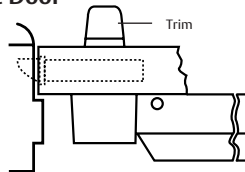
Door Types	Wood or metal 1 3/4" (44mm) minimum thickness. For doors over 1-3/4" to 2-1/4" thick, specify thickness and order as 31-Option 4-1/2" (114mm) minimum stile
Rail sizes as determined by door width	Rails are available in 4 sizes, use door width to determine size needed. Rails will be factory cut to size, if door width is supplied <ul style="list-style-type: none"> • E Rail for 24" to 32" door widths, No cutting required for 32" door • F Rail for 33" to 36" door widths, No cutting required for 36" door • J Rail for 37" to 42" door widths, No cutting required for 42" door • G Rail for 43" to 48" door widths, No cutting required for 48" door
Strike	C908 Standard Black Nylon Coated – ANSI Prep A115.1 Optional Strikes – 815 Open Back Strike or 908 Flat Lipped Strike with Black Nylon
Dogging Feature	Hex key dogging standard on non fired rated devices; specify 16- for cylinder dogging (#41 cylinder supplied)
Electric Options	AL- Alarm BT- Beacon™ PL- SARGuide Photoluminescent Coated TL- SARGuide Illuminated Touchpad 53- LX Latchbolt Monitor 54- Outside Lever Monitoring 55- Request-to-Exit Signal - Rail Monitoring 56- Remote Latch Retraction 57- Delay Egress & Electromagnets 58- Electric Dogging 59- Electroguard – Self Contained Delayed Egress
Mounting Fasteners	Supplied standard with wood and machine screws Available with through-bolts and mortise(sex) nuts
Latch Bolt	Brass Nickel Plated, 3/4" (19mm) throw, anti-friction
Guarded/Deadlatch	Brass, sliding type
Device Centerline from Finished Floor	41" (1041 mm) for Standard Applications
Center Case Dimensions	8-5/16" (211mm) x 1-1/16" (27mm)
Projection	Pushbar Neutral – 3" (76mm) Pushbar Depressed – 2-1/8" (54mm)
Fire Exit Hardware	See Chart – Page 3

C908 Standard Strike

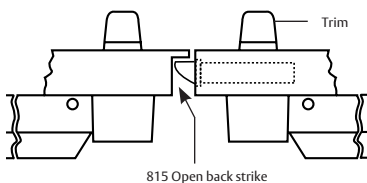
- Curved lip ANSI A-115.1
- Handed. 1-1/4" (32mm) lip standard
 - Longer lips in increments of 1/4" (6mm) through 2-7/8" (73mm) available
 - Black nylon coated



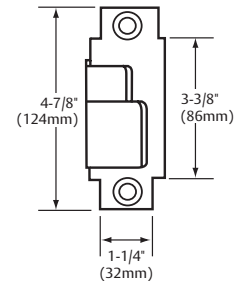
Single Door



Pair of Doors



815 Open Back Strike



- ANSI A-115.14 Open Back
- Beveled 1/8" (3mm) in 2" (51mm)
- Specify hand of active door
- Black nylon coat
- "B" label

Copyright © 1998-2014, Sargent Manufacturing Company, an ASSA ABLOY Group company. All rights reserved. Reproduction in whole or in part without the express written permission of Sargent Manufacturing Company is prohibited.


90641M 1/15/14

8300 Narrow Design Mortise Lock Exit Device

80 Series

SARGENT®

ASSA ABLOY

How to order:	Options 11-	Series 83	Function 13	Rail Lgth F	Trim ETL	Hand RHR	Outside Finish 26D	Inside Finish 32D	Door Width 36"	Options 8300	
700 Series ET Trim											
 Exits with ET Trim, specify lever design after the ET designation (e.g., ETL)											
Lever Designs for ET Controls											
A, B, E, F, J, L, P, W Also available with Coastal Series & Studio Collection Levers											
ET Designation with Suffix (Used to order ET without device)											
8300 Series: 704, 710, 713, 715, 740, 743, 744, 773, 774, 775 & 776											
Freewheeling Trim											
The lever rotates when the door is locked preventing excessive force from being applied to the horizontal lever											
Electrified ET Trim and Electrified Mortise Locks											
Voltage must be specified for the following functions: 73, 74, 75 and 76. Specify: 12VDC or 24VDC											
	SARGENT Function Numbers	ANSI Function Numbers	Description & Cylinder Info (1-3/4" Door)				ANSI Type 10 8300 Panic & Fire				Mechanical Options: 12- 16- 19- 23- *31 36- 37- 43- 53- 54- 55- 56- 56-HK- 57- 58- 59- BC-59- 76- 85- 86- 87- AL- BT- LD- SC- TL-
	04	03	Night Latch Key Retracts Latch #46 Cylinder Supplied				8304 x ET_				Cylinder Options: 10- 10-21- 10UL- 10-63- 11- 11-21- 11-60- 11-63- 11-64- 11-70-7P- 11-72-7P- 11-73-7P- 11-65-73-7P-
	10	01	No outside operation (No Cylinder)				8310				10- 10-21- 10UL- 10-63- 11- 11-21- 11-60- 11-63- 11-64- 11-70-7P- 11-72-7P- 11-73-7P- 11-65-73-7P-
	10	02	No outside operation (No Cylinder) ET Control is used as Pull Only				8310 x ET_				10- 10-21- 10UL- 10-63- 11- 11-21- 11-60- 11-63- 11-64- 11-70-7P- 11-72-7P- 11-73-7P- 11-65-73-7P-
	13	08	Key Outside Unlocks/locks Trim #41 Cylinder Supplied				8313 x ET_				10- 10-21- 10UL- 10-63- 11- 11-21- 11-60- 11-63- 11-64- 11-70-7P- 11-72-7P- 11-73-7P- 11-65-73-7P-
	15	14	Passage Only (No cylinder)				8315 x ET_				10- 10-21- 10UL- 10-63- 11- 11-21- 11-60- 11-63- 11-64- 11-70-7P- 11-72-7P- 11-73-7P- 11-65-73-7P-
	40	02	Freewheeling Trim - No outside operation (No Cylinder) Dummy Trim				8340 x ET_				10- 10-21- 10UL- 10-63- 11- 11-21- 11-60- 11-63- 11-64- 11-70-7P- 11-72-7P- 11-73-7P- 11-65-73-7P-
	43	08	Freewheeling Trim - Key Outside Unlocks/locks Trim #41 Cylinder Supplied				8343 x ET_				10- 10-21- 10UL- 10-63- 11- 11-21- 11-60- 11-63- 11-64- 11-70-7P- 11-72-7P- 11-73-7P- 11-65-73-7P-
	44	03	Freewheeling Trim - Key Retracts Latch For 1-3/4" Door #46 Cylinder Supplied				8344 x ET_				10- 10-21- 10UL- 10-63- 11- 11-21- 11-60- 11-63- 11-64- 11-70-7P- 11-72-7P- 11-73-7P- 11-65-73-7P-
	75++		Electrified ET Trim - Fail Safe Power Off, Unlocks Lever, Key Retracts Latch For 1-3/4" Door #46 Cylinder Supplied				8375 x ET_				10- 10-21- 10UL- 10-63- 11- 11-21- 11-60- 11-63- 11-64- 11-70-7P- 11-72-7P- 11-73-7P- 11-65-73-7P-
	76**		Electrified ET Trim - Fail Secure Power Off, Locks Lever, Key Retracts Latch For 1-3/4" Door #46 Cylinder Supplied				8376 x ET_				10- 10-21- 10UL- 10-63- 11- 11-21- 11-60- 11-63- 11-64- 11-70-7P- 11-72-7P- 11-73-7P- 11-65-73-7P-


Note: Exit devices are available in all standard finishes, except 14, 15, 26 & 26D. With these finishes, exit devices are supplied in 32 or 32D to match accordingly. 26 or 26D is automatically supplied when 32 or 32D is specified. For nickel finishes, specify 14/32 or 15/32D to receive nickel finished trims and stainless exit devices.
++ 75 Function without cylinder is available as a 73 Function
** 76 Function without cylinder is available as a 74 Function

Pull & Thumb Piece Trim Section

Trim designations

- Use three letter designations (Ex "PTB") when ordering the Exit Device with trim
- Use the six digit designation (Ex "866-MAL") when ordering trim without an Exit Device, always specify finish & hand

Series

SARGENT Function Numbers	ANSI Function Numbers	Description & Cylinder Info. (1-3/4" Door)						8300 Panic & Fire
04	03	Night Latch-Key Retracts Latch #41 Cylinder Supplied	814-FLL	814-FLW	814-MAL	814-PTB	814-STC	8304 x Trim Designation
10	02	No O/S Operation or Cylinder (Pull Only)	810-FLL	810-FLW	810-MAL	810-PTB	810-STC	8310 x Trim Designation
28	15	Passage Only (No cylinder)	828-FLL	828-FLW	828-MAL	828-PTB	828-STC	8328 x Trim Designation
63	05	Key Outside Unlocks/locks Trim #41 Cylinder Supplied	866-FLL	866-FLW	866-MAL	866-PTB	866-STC	8363 x Trim Designation

Note: Thumb Piece Trims used with Mortise Lock Exit Devices are handed.
Note: Thumb piece trims for 63 function devices are identified as 66 function when trim is ordered separately.
Note: FLW trim is not available in 32(629) or 32D(630)

* Options are not available with the following functions: 04, 44, 75 & 76
** For SC- & SE- options contact factory for availability

Available Finishes

SARGENT Finishes	BHMA Finishes
03	605
04	606
09	611
10	612
10B	613
10BE	613E
10BL	614
14	618
15	619
20D	624
26	625
26D	626
32	629
32D	630

MD8400 & NB-MD8400 Narrow Stile Concealed Vertical Rod Exit Device for Metal Doors

80 Series

SARGENT®
ASSA ABLOY

MD8400 Series Concealed Vertical Rod Exit Device for Metal Doors



MD8400 & NB-MD8400 Features

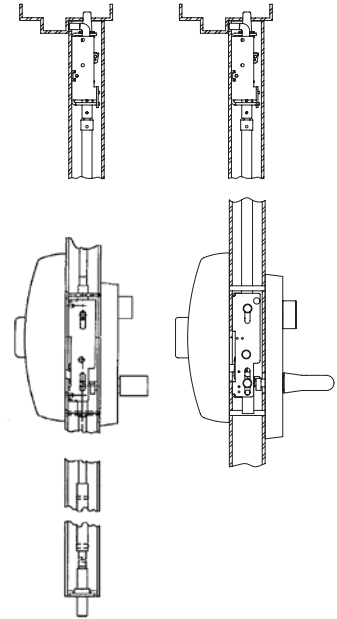
- Designed for narrow stile applications (e.g., full glass doors)
- Concealed rods for security and aesthetics
- UL Fire and Panic listed
- Specify NB- for less bottom rod
- NB- Devices allows free access for wheelchairs and carts. No bottom strike eliminates tripping potential
- All functions determined by outside trim
- Devices are ANSI A156.3 – 2008 Grade 1

Specifications for MD8400 & NB-MD8400 Exit

Door Types	Hollow metal, 1-3/4" (44 mm) minimum thickness. For doors over 1-3/4" to 2-1/4" thick, specify thickness and order as 31- option 1-3/4" (44mm) minimum stile width required. Stile must be hollow with inside dimension of at least 1-3/8" (35mm) square
Rail sizes as determined by door width	Rails are available in 4 sizes, use door width to determine size needed. Rails will be factory cut to size, if door width is supplied <ul style="list-style-type: none"> • E Rail for 24" to 32" door widths • F Rail for 33" to 36" door widths • J Rail for 37" to 42" door widths • G Rail for 43" to 48" door widths
Strike	650 Top Strike & 606 Bottom Strike (Panic and Fire Rated)
Dogging Feature	Hex key dogging standard on non fired rated devices; specify 16- for cylinder dogging (#41 cylinder supplied)
Electric Options	AL- Alarm BT- Beacon™ PL- SARGuide Photoluminescent Coated TL- SARGuide Illuminated Touchpad 53- LX Latchbolt Monitor 54- Outside Lever Monitoring 55- Request-to-Exit Signal - Rail Monitoring 56- Remote Latch Retraction 57- Delay Egress & Electromagnets 58- Electric Dogging 59- Electroguard – Self Contained Delayed Egress (NB- Excluded)
Mounting Fasteners	Supplied standard with machine screws
Top Bolt	Stainless steel
Device Centerline from Finished Floor	41" (1041mm) for Standard Applications 38" (965mm) for elementary schools and to meet local accessibility standards when a 100 Series Auxiliary Control is used
Door/Opening Height	Must be specified - 120" (3048mm) Max Door Opening
Center Case Dimensions	8-3/8" (213mm) x 2-5/8" (67mm)
Projection	Pushbar Neutral – 3" (76 mm) Pushbar Depressed – 2-1/8" (54mm)
Fire Exit Hardware	See Chart – Page 3

12-MD8400

NB-12-MD8400



Note: MD8400 & 12-MD8400 can be used as NB- device by simply not installing the bottom rod/bolt.

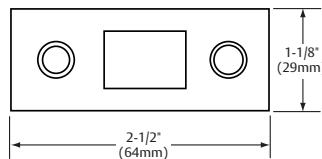
Note: 12-NB applications require thermal pin. Thermal pin supplied when ordered as a 12-NB device.

100 Series Aux Control

- Available as an 06 or 13 function
- Supplied with a SARGENT #41 Mortise Cylinder
- Can be used with any SARGENT Mortise Key System

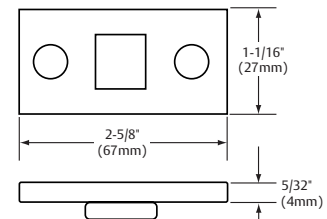


650 & 652 Strike Packs



- Stainless steel
- 650 & 652 Strike Packs contain the same strike
- 650 Strike Pack contains 1 strike for Top Bolt
- 652 Strike Pack contains 2 strikes for Top & Bottom

606 Bottom Strike (12-)



- Furnished with expansion shields
- Mortised into floor
- Stainless steel
- Bottom strike for 12-MD8400

Copyright © 1998-2014, Sargent Manufacturing Company, an ASSA ABLOY Group company. All rights reserved. Reproduction in whole or in part without the express written permission of Sargent Manufacturing Company is prohibited.

90641M 1/15/14

MD8400 & NB-MD8400

Functions & Trims for Metal Doors

80 Series



How to order: Options Series Function Rail Lgth Trim Hand Outside Finish Inside Finish Door Width Door Height AFF
 55- NB-MD84 13 F ETL RHR 26D 32D 36" 84" 41"

700 Series ET Trim



Exits with ET Trim, specify lever design after the ET designation (e.g., ETL)

Lever Designs for ET Controls

A, B, E, F, J, L, P, W
 Also available with Coastal Series & Studio Collection Levers

ET Designation with Suffix (Used to order ET without device)

MD8400 & NB-MD8400 Series: 706-4, 710-4, 713-4, 715-4, 740-4, 743-4, 746-4, 773-4, & 774-4

Freewheeling Trim

The lever rotates when the door is locked preventing excessive force from being applied to the horizontal lever

Electrified ET Trim

Voltage must be specified for the following functions: 73 and 74. Specify: 12VDC or 24VDC

SARGENT Function Numbers	ANSI Function Numbers	Description & Cylinder Info (1-3/4" Door)	ANSI Type 6 8400 Panic & Fire
06	09	Key unlocks Trim, Trim retracts latch/ Trim relocks when key is removed #41 Cylinder Supplied	MD8406 x ET_
10	01	No outside operation (No Cylinder)**	MD8410
10	02	No outside operation (No Cylinder)** ET Control is used as Pull Only	MD8410 x ET_
13	08	Key Outside Unlocks/locks Trim #41 Cylinder Supplied	MD8413 x ET_
15	14	Passage Only (No cylinder)	MD8415 x ET_
40	02	Freewheeling Trim - No outside operation (No Cylinder)** Dummy Trim	MD8440 x ET_
43	08	Freewheeling Trim - Key Outside Unlocks/locks Trim #41 Cylinder Supplied	MD8443 x ET_
46	09	Freewheeling Trim - Key unlocks Trim, Trim retracts latch/ Trim relocks when key is removed #41 Cylinder Supplied	MD8446 x ET_
73		Electrified ET Trim - Fail Safe Power Off, Unlocks Lever (No Cylinder)** Specify: 12VDC or 24VDC	MD8473 x ET_
74		Electrified ET Trim - Fail Secure Power Off, Locks Lever (No Cylinder)** Specify: 12VDC or 24VDC	MD8474 x ET_

Note: Exit devices are available in all standard finishes, except 14, 15, 26 & 26D. With these finishes, exit devices are supplied in 32 or 32D to match accordingly. 26 or 26D is automatically supplied when 32 or 32D is specified. For nickel finishes, specify 14/32 or 15/32D to receive nickel finished trims and stainless exit devices.

Note: AFF means Above Finished Floor, center line of rail Above Finished Floor

** Cylinder Override is available with a 106 Aux Control

Example Order: MD8473F 12V x ETMG x 106 x RHR x 32D x 36" w x 84" h

100 Series Auxiliary Control++ & 862 Pull



100 Series Aux. Control



862 Pull

SARGENT Function Numbers	ANSI Function Numbers	Description & Cylinder Info	MD8400 Panic & Fire
06	12	Key unlocks Turn, Turn retracts latch/ Turn relocks when key is removed #41 Cylinder Supplied	MD8410 x 106
10	02	862 Pull Only (Optional Pulls: 863 & 864)	MD8410 x 862 Pull
13	11	Key Outside Unlocks/locks Turn #41 Cylinder Supplied	MD8410 x 113

Note: When ordering MD8400 Series Exit Device x 100 Series Aux. Control, specify 10 Function for the exit.

Example: MD8410F x 106 x RHR x 32D x 42" x 90"

++ **Note:** Exit Devices must be mounted 38" AFF when used with a 100 Series Auxiliary Controls to meet ICC/ANSI A117.1-2003 Accessible & Usable Buildings and Facilities Code

Options MD8400	
Mechanical Options:	
12-	
16-	
19-	
31-	
36-	
37-	
43-	
53-	
54-	
55-	
56-	
56-HK-	
57-	
58-	
59-	
BC-59-	
76-	
85-	
86-	
87-	
AL-	
BT-	
CPC-	
LD-	
NB-	
PL-	
SG-	
TL-	
Cylinder Options:	
10-	
10-21-	
10UL-	
10-63-	
11-	
11-21-	
11-60-	
11-63-	
11-64-	
11-70-7P-	
11-72-7P-	
11-73-7P-	
11-65-73-7P-	
21-	
22-	
51-	
52-	
60-	
63-	
64-	
70-	
72-	
73-	
65-73-	
65-73-7P-	
73-7P-	
81-	
82-	
F1-82-	
83-	
F1-83-	
84-	
BR-	
LC-	
SC-	
SE-	

Available Finishes	
SARGENT Finishes	BHMA Finishes
03	605
04	606
09	611
10	612
10B	613
10BE	613E
10BL	614
14	618
15	619
20D	624
26	625
26D	626
32	629
32D	630

AD8400 & NB-AD8400 Narrow Stile Concealed Vertical Rod Exit Device for Aluminum Doors

80 Series

SARGENT®

ASSA ABLOY

AD8400 Series

Concealed Vertical Rod Exit Device for Aluminum Doors

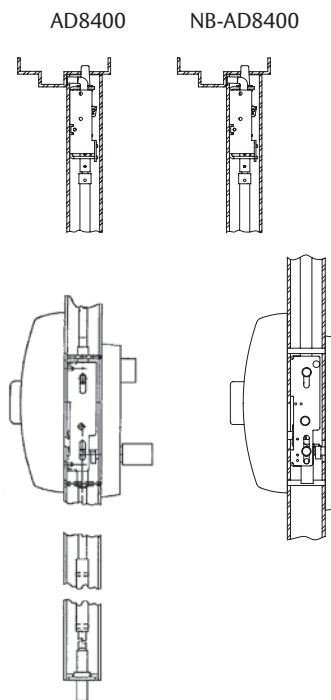


AD8400 & NB-AD8400 Features

- Designed for narrow stile aluminum door applications (e.g., full glass doors)
- Concealed rods for security and aesthetics
- UL Panic listed only
- Specify NB- for less bottom rod
- NB- device allows free access for wheelchairs and carts. No bottom strike eliminates tripping potential
- All functions determined by outside trim
- Devices are ANSI A156.3 – 2008– Grade 1

Specifications for AD8400 & NB-AD8400 Exit

Door Types	Hollow or extruded aluminum doors. For doors over 1-3/4" to 2-1/4" thick, specify thickness and order as 31- option 1-3/4" (44mm) minimum stile width required. Stile must be hollow with inside dimension of at least 1-3/8" (35mm) square
Rail sizes as determined by door width	Rails are available in 4 sizes, use door width to determine size needed. Rails will be factory cut to size, if door width is supplied <ul style="list-style-type: none"> • E Rail for 24" to 32" door widths • F Rail for 33" to 36" door widths • J Rail for 37" to 42" door widths • G Rail for 43" to 48" door widths
Strike	640 Strike for Top & Bottom
Dogging Feature	Hex key dogging standard on non fired rated devices; specify 16- for cylinder dogging (#41 cylinder supplied)
Electric Options	AL- Alarm BT- Beacon™ PL- SARGuide Photoluminescent Coated TL- SARGuide Illuminated Touchpad 53- LX Latchbolt Monitor 54- Outside Lever Monitoring 55- Request-to-Exit Signal - Rail Monitoring 56- Remote Latch Retraction 57- Delay Egress & Electromagnets 58- Electric Dogging 59- Electroguard – Self Contained Delayed Egress (NB- Excluded)
Mounting Fasteners	Supplied standard with machine screws
Top Bolt	Stainless steel
Device Centerline from Finished Floor	41" (1041mm) for Standard Applications 38" (965mm) for elementary schools and to meet local accessibility standards when a 100 Series Auxiliary Control is used
Door/Opening Height	Must be specified - 120" (3048mm) Max Door Opening
Center Case Dimensions	8-3/8" (213mm) x 2-5/8" (67mm)
Projection	Pushbar Neutral – 3" (76mm) Pushbar Depressed – 2-1/8" (54mm)
Fire Exit Hardware	Not Available



Note: AD8400 can be used as NB- Device by simply not installing the bottom rod/bolt.

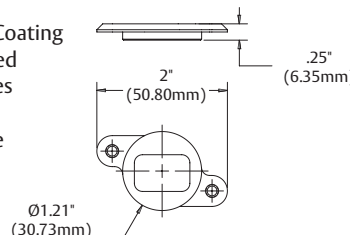
100 Series Aux Control

- Available as an 06 or 13 function
- Supplied with a SARGENT #41 Mortise Cylinder
- Can be used with any SARGENT Mortise Key System



639/640 Strike Kits

- Steel with Black Nylon Coating
- Machine Screws Supplied
- 640 Kit contains 2 strikes (Top & Bottom)
- 639 Kit contains 1 strike (Top Only)



Copyright © 1998-2014, Sargent Manufacturing Company, an ASSA ABLOY Group company. All rights reserved. Reproduction in whole or in part without the express written permission of Sargent Manufacturing Company is prohibited.

90641-M 1/15/14

AD8400 & NB-AD8400

Functions & Trims for Aluminum Doors

80 Series

SARGENT®

ASSA ABLOY

How to order: Options 55- Series AD84 Function 13 Rail Lgth F Trim ETL Hand RHR Outside Finish 26D Inside Finish 32D Door Width 36" Door Height 84" AFF 41"

700 Series ET Trim



Exits with ET Trim, specify lever design after the ET designation (e.g., ETL)

Lever Designs for ET Controls

A, B, E, F, J, L, P, W
Also available with Coastal Series & Studio Collection Levers

ET Designation with Suffix (Used to order ET without device)

8400 & NB-8400 Series: 706-4, 710-4, 713-4, 715-4, 740-4, 743-4, 746-4, 773-4, & 774-4

Freewheeling Trim

The lever rotates when the door is locked preventing excessive force from being applied to the horizontal lever

Electrified ET Trim

Voltage must be specified for the following functions: 73 and 74.
Specify: 12VDC or 24VDC

SARGENT Function Numbers	ANSI Function Numbers	Description & Cylinder Info (1-3/4" Door)	ANSI Type 6 AD8400 Panic
06	09	Key unlocks Trim, Trim retracts latch/ Trim relocks when key is removed #41 Cylinder Supplied	AD8406 x ET_
10	01	No outside operation (No Cylinder)**	AD8410
10	02	No outside operation (No Cylinder)** ET Control is used as Pull Only	AD8410 x ET_
13	08	Key Outside Unlocks/locks Trim #41 Cylinder Supplied	AD8413 x ET_
15	14	Passage Only (No cylinder)	AD8415 x ET_
40	02	Freewheeling Trim - No outside operation (No Cylinder)** Dummy Trim	AD8440 x ET_
43	08	Freewheeling Trim - Key Outside Unlocks/locks Trim #41 Cylinder Supplied	AD8443 x ET_
46	09	Freewheeling Trim - Key unlocks Trim, Trim retracts latch/ Trim relocks when key is removed #41 Cylinder Supplied	AD8446 x ET_
73		Electrified ET Trim - Fail Safe Power Off, Unlocks Lever (No Cylinder)** Specify: 12VDC or 24VDC	AD8473 x ET_
74		Electrified ET Trim - Fail Secure Power Off, Locks Lever (No Cylinder)** Specify: 12VDC or 24VDC	AD8474 x ET_

Note: Exit devices are available in all standard finishes, except 14, 15, 26 & 26D. With these finishes, exit devices are supplied in 32 or 32D to match accordingly. 26 or 26D is automatically supplied when 32 or 32D is specified. For nickel finishes, specify 14/32 or 15/32D to receive nickel finished trims and stainless exit devices.

Note: AFF means Above Finished Floor, center line of rail Above Finished Floor

** Cylinder Override is available with a 106 Aux Control

Example Order: AD8473F 12V x ETMG x 106 x RHR x 32D x 36" w x 84" h

100 Series Auxiliary Control++ & 862 Pull



100 Series Aux. Control



862 Pull

SARGENT Function Numbers	ANSI Function Numbers	Description & Cylinder Info	AD8400 Panic
06	12	Key unlocks Turn, Turn retracts latch/ Turn relocks when key is removed #41 Cylinder Supplied	AD8410 x 106
10	02	862 Pull Only (Optional Pulls: 863 & 864)	AD8410 x 862 Pull
13	11	Key Outside Unlocks/locks Turn #41 Cylinder Supplied	AD8410 x 113

Note: When ordering 8400 Series Exit Device x 100 Series Aux. Control, specify 10 Function for the exit.

Example: AD8410F x 106 x RHR x 32D x 42" x 90"

++ **Note:** Exit Devices must be mounted 38" AFF when used with a 100 Series Auxiliary Controls to meet ICC/ANSI A117.1-2003 Accessible & Usable Buildings and Facilities Code

Options

AD8400

Mechanical Options:

- 16-
- 19-
- 31-
- 36-
- 37-
- 43-
- 53-
- 54-
- 55-
- 56-
- 56-HK-
- 57-
- 58-
- 59-
- BC-59-
- 76-
- 85-
- 86-
- 87-
- AL-
- BT-
- CPC-
- LD-
- NB-
- PL-
- SG-
- TL-

Cylinder Options:

- 10-
- 10-21-
- 10UL-
- 10-63-
- 11-
- 11-21-
- 11-60-
- 11-63-
- 11-64-
- 11-70-7P-
- 11-72-7P-
- 11-73-7P-
- 11-65-73-7P-
- 21-
- 22-
- 51-
- 52-
- 60-
- 63-
- 64-
- 70-
- 72-
- 73-
- 65-73-
- 65-73-7P-
- 73-7P-
- 81-
- 82-
- F1-82-
- 83-
- F1-83-
- 84-
- BR-
- LC-
- SC-
- SE-

Available Finishes

SARGENT Finishes	BHMA Finishes
03	605
04	606
09	611
10	612
10B	613
10BE	613E
10BL	614
14	618
15	619
20D	624
26	625
26D	626
32	629
32D	630

PP8700 & PR8700 Center & Top Latch Surface Vertical Rods for Pair of Doors

80 Series

SARGENT®

ASSA ABLOY



**PP8700 & PR8700 Series
Center & Top Latch**

PP8700 Shown

Features

- The security of a stainless steel center bolt and two top bolts without bottom rod issues
- Latchbolt adjustable to allow for 1/8" (3mm) - 3/8" (9mm) door gap center line of bevel
- Devices are ANSI A156.3 – 2008 Grade 1
- UL Fire and Panic listed
- Tripping potential removed - no bottom strike
- Both doors are active. Either door can be opened or closed without affecting the other door. Door coordinators and open back strikes are not required
- Top case latchbolt projection adjustable through center case
- All functions determined by outside trim
- Patented design - U.S. Patent No. 6,120,071

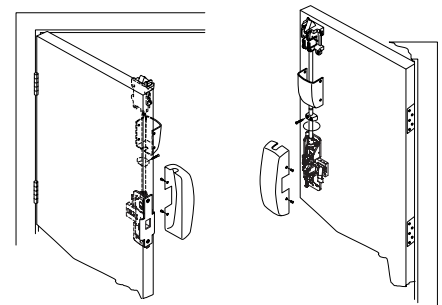
Specifications for PP & PR8700 Series Exit

Door Types	Factory prepped wood/metal doors for surface mounted PP & PR8700 devices 1-3/4" (44mm) Doors only with 2-3/4" (70mm) backset 4-1/2" (114mm) minimum stile
Rail sizes as determined by door width	Rails are available in 4 sizes, use door width to determine size needed. Rails will be factory cut to size, if door width is supplied <ul style="list-style-type: none"> • E Rail for 24" to 32" door widths, No cutting required for 32" door • F Rail for 33" to 36" door widths, No cutting required for 36" door • J Rail for 37" to 42" door widths, No cutting required for 42" door • G Rail for 43" to 48" door widths, No cutting required for 48" door
Strike	646 Top Strike (Panic and Fire Rated)
Dogging Feature	Hex key dogging standard on non fired rated devices; specify 16- for cylinder dogging (#41 cylinder supplied)
Electric Options	AL- Alarm BT- Beacon™ PL- SARGuide Photoluminescent Coated TL- SARGuide Illuminated Touchpad 53- LX Latchbolt Monitor 54- Outside Lever Monitoring 55- Request-to-Exit Signal - Rail Monitoring 56- Remote Latch Retraction 57- Delay Egress & Electromagnets 58- Electric Dogging 59- Electroguard – Self Contained Delayed Egress
Mounting Fasteners	Supplied standard with wood and machine screws Available with through-bolts and mortise (sex) nuts
Top & Center Bolts	Stainless steel
Device Centerline from Finished Floor	41" (1041mm) for Standard Applications
Door/Opening Height	Must be specified - 120" (3048mm) Max Door Opening
Center Case Dimensions	8-3/8" (213mm) x 2-5/8" (67mm)
Projection	Pushbar Neutral – 3" (76 mm) Pushbar Depressed – 2-1/8" (54mm)
Fire Exit Hardware*	See Chart – Page 3

Pair of Doors Application



Double Egress Application



* For fire-rated, double wood door applications, one 683 thermal pin kit is required per door (Purchased Separately)
How it works: The mortise lock of the PP device has a stainless steel bolt which projects into the mortise lock of the PR device at the center of the door in addition to top bolts on each door.

Copyright © 1998-2014, Sargent Manufacturing Company, an ASSA ABLOY Group company. All rights reserved. Reproduction in whole or in part without the express written permission of Sargent Manufacturing Company is prohibited.

90641-M 1/15/14

PP8700 & PR8700 Functions & Trims

80 Series

How to order: Options Series Function Rail Lgth Trim Hand Outside Finish Inside Finish Door Width Door Height AFF
 F1-83- PP87 13 F ETL RHR 15 32D 36" 84" 41"

700 Series ET Trim



Exits with ET Trim, specify lever design after the ET designation (e.g., ETL)

SARGENT Function Numbers	ANSI Function Numbers	Description & Cylinder Info (1-3/4" Door)	ANSI Type 11	
			PP8700 Panic & Fire	PR8700 Panic & Fire
06	09	Key unlocks Trim, Trim retracts latch/ Trim relocks when key is removed #41 Cylinder Supplied	PP8706 x ET_	PR8706 x ET_
10	01	No outside operation (No Cylinder)	PP8710	PR8710
10	02	No outside operation (No Cylinder) ET Control is used as Pull Only	PP8710 x ET_	PR8710 x ET_
13	08	Key Outside Unlocks/locks Trim #41 Cylinder Supplied	PP8713 x ET_	PR8713 x ET_
15	14	Passage Only (No cylinder)	PP8715 x ET_	PR8715 x ET_
40	02	Freewheeling Trim - No outside operation (No Cylinder) Dummy Trim	PP8740 x ET_	PR8740 x ET_
43	08	Freewheeling Trim - Key Outside Unlocks/locks Trim #41 Cylinder Supplied	PP8743 x ET_	PR8743 x ET_
46	09	Freewheeling Trim - Key unlocks Trim, Trim retracts latch/ Trim relocks when key is removed #41 Cylinder Supplied	PP8746 x ET_	PR8746 x ET_
73		Electrified ET Trim - Fail Safe Power Off, Unlocks Lever (No Cylinder)***	PP8773 x ET_	PR8773 x ET_
74		Electrified ET Trim - Fail Secure Power Off, Locks Lever (No Cylinder)***	PP8774 x ET_	PR8774 x ET_

Lever Designs for ET Controls

A, B, E, F, J, L, P, W
 Also available with Coastal Series & Studio Collection Levers

ET Designation with Suffix (Used to order ET without device)

PP8700 & PR8700 Series: 706-8, 710, 713-8, 715-8, 740, 743-8, 746-8, 773-8 & 774-8

Freewheeling Trim

The lever rotates when the door is locked preventing excessive force from being applied to the horizontal lever

Electrified ET Trim

Voltage must be specified for the following functions: 73 and 74. Specify: 12VDC or 24VDC

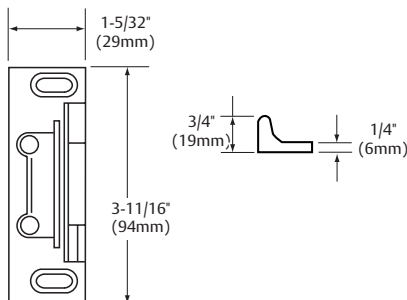
Note: PP & PR Exit devices should be ordered in pairs, for correct operation, one device engages the other. For single door applications, order SP Device

Note: Exit devices are available in all standard finishes, except 14, 15, 26 & 26D. With these finishes, exit devices are supplied in 32 or 32D to match accordingly. 26 or 26D is automatically supplied when 32 or 32D is specified. For nickel finishes, specify 14/32 or 15/32D to receive nickel finished trims and stainless exit devices.

Note: AFF means Above Finished Floor, center line of rail Above Finished Floor

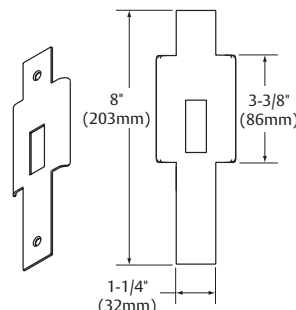
*** Cylinder override is not available with PP & PR 8700 Series Devices

646 Top Strike



- Standard for PP8700 and PR8700
- Surface applied to frame
- Black nylon coated

68-1183 Double Lipped PR Mortise Front



- Standard for PR8700
- Stainless steel only

Options	
PP & PR8700	
Mechanical Options:	
12-	
16-	
19-	
36-	
37-	
43-	
53-	
54-	
55-	
56-	
56-HK-	
57-	
58-	
59-	
BC-59-	
76-	
85-	
86-	
87-	
AL-	
BT-	
CPC-	
LD-	
PL-	
SG-	
TL-	
Cylinder Options:	
10-	
10-21-	
10UL-	
10-63-	
11-	
11-21-	
11-60-	
11-63-	
11-64-	
11-70-7P-	
11-72-7P-	
11-73-7P-	
11-65-73-7P-	
21-	
22-	
51-	
52-	
60-	
63-	
64-	
70-	
72-	
73-	
65-73-	
65-73-7P-	
73-7P-	
81-	
82-	
F1-82-	
83-	
F1-83-	
84-	
BR-	
LC-	
SC-	
SE-	

Available Finishes	
SARGENT Finishes	BHMA Finishes
03	605
04	606
09	611
10	612
10B	613
10BE	613E
10BL	614
14	618
15	619
20D	624
26	625
26D	626
32	629
32D	630

SP8700 Center & Top Latch Surface Vertical Rod for Single Door Applications

80 Series

SARGENT®
ASSA ABLOY



**SP8700 Series
Center & Top Latch**

Features

- The security of a stainless steel center bolt and top bolt without bottom rod issues
- Latchbolt adjustable to allow for 1/8" (3mm) - 3/8" (9mm) door gap
- Devices are ANSI A156.3 – 2008 Grade 1
- UL Fire and Panic listed
- Tripping potential removed - no bottom strike
- Top case latchbolt projection adjustable through center case
- All functions determined by outside trim

Specifications for SP8700 Series Exit

Door Types	Factory prepped wood/metal doors for surface mounted SP8700 devices 1-3/4" (44mm) Doors only with 2-3/4" (70mm) backset 4-1/2" (114mm) minimum stile
Rail sizes as determined by door width	Rails are available in 4 sizes, use door width to determine size needed. Rails will be factory cut to size, if door width is supplied <ul style="list-style-type: none"> • E Rail for 24" to 32" door widths, No cutting required for 32" door • F Rail for 33" to 36" door widths, No cutting required for 36" door • J Rail for 37" to 42" door widths, No cutting required for 42" door • G Rail for 43" to 48" door widths, No cutting required for 48" door
Strike	646 Top Strike & C7710 Mortise Strike (Panic and Fire Rated)
Dogging Feature	Hex key dogging standard on non fired rated devices; specify 16- for cylinder dogging (#41 cylinder supplied)
Electric Options	AL- Alarm BT- Beacon™ PL- SARGuide Photoluminescent Coated TL- SARGuide Illuminated Touchpad 53- LX Latchbolt Monitor 54- Outside Lever Monitoring 55- Request-to-Exit Signal - Rail Monitoring 56- Remote Latch Retraction 57- Delay Egress & Electromagnets 58- Electric Dogging 59- Electroguard – Self Contained Delayed Egress
Mounting Fasteners	Supplied standard with wood and machine screws Available with through-bolts and mortise (sex) nuts
Top & Center Bolts	Stainless steel
Device Centerline from Finished Floor	41" (1041 mm) for Standard Applications
Door/Opening Height	Must be specified - 120" (3048mm) Max Door Opening
Center Case Dimensions	8-3/8" (213mm) x 2-5/8" (67mm)
Projection	Pushbar Neutral – 3" (76mm) Pushbar Depressed – 2-1/8" (54mm)
Fire Exit Hardware*	See Chart – Page 3

Single Door Application



SP8700 Side View



*For fire-rated, double wood door applications, one 683 thermal pin kit is required per door (Purchased Separately)
How it works: The mortise lock of the SP device has a stainless steel bolt which projects into the door's frame at the center of the door with the additional security of the top bolt.

SP8700 Functions & Trims

80 Series

How to order: Options 55- Series SP87 Function 13 Rail Lgth F Trim ETL Hand RHR Outside Finish 26D Inside Finish 32D Door Width 36" Door Height 84" AFF 41"

700 Series ET Trim



Exits with ET Trim, specify lever design after the ET designation (e.g., ETL)

Lever Designs for ET Controls

A, B, E, F, J, L, P, W
Also available with Coastal Series & Studio Collection Levers

ET Designation with Suffix (Used to order ET without device)

SP8700 Series: 706-8, 710, 713-8, 715-8, 740, 743-8, 746-8, 773-8 & 774-8

Freewheeling Trim

The lever rotates when the door is locked preventing excessive force from being applied to the horizontal lever

Electrified ET Trim

Voltage must be specified for the following functions: 73 and 74.
Specify: 12VDC or 24VDC

SARGENT Function Numbers	ANSI Function Numbers	Description & Cylinder Info (1-3/4" Door)	ANSI Type 11 SP8700 Panic & Fire
06	09	Key unlocks Trim, Trim retracts latch/ Trim relocks when key is removed #41 Cylinder Supplied	SP8706 x ET_
10	01	No outside operation (No Cylinder)	SP8710
10	02	No outside operation (No Cylinder) ET Control is used as Pull Only	SP8710 x ET_
13	08	Key Outside Unlocks/locks Trim #41 Cylinder Supplied	SP8713 x ET_
15	14	Passage Only (No cylinder)	SP8715 x ET_
40	02	Freewheeling Trim - No outside Operation (No Cylinder) Dummy Trim	SP8740 x ET_
43	08	Freewheeling Trim - Key Outside Unlocks/locks Trim #41 Cylinder Supplied	SP8743 x ET_
46	09	Freewheeling Trim - Key unlocks Trim, Trim retracts latch/ Trim relocks when key is removed #41 Cylinder Supplied	SP8746 x ET_
73		Electrified ET Trim - Fail Safe Power Off, Unlocks Lever (No Cylinder)***	SP8773 x ET_
74		Electrified ET Trim - Fail Secure Power Off, Locks Lever (No Cylinder)***	SP8774 x ET_

Note: Exit devices are available in all standard finishes, except 14, 15, 26 & 26D. With these finishes, exit devices are supplied in 32 or 32D to match accordingly. 26 or 26D is automatically supplied when 32 or 32D is specified. For nickel finishes, specify 14/32 or 15/32D to receive nickel finished trims and stainless exit devices.

Note: AFF means Above Finished Floor, center line of rail Above Finished Floor

*** Cylinder override is not available with PP & PR 8700 Series Devices

Options SP8700

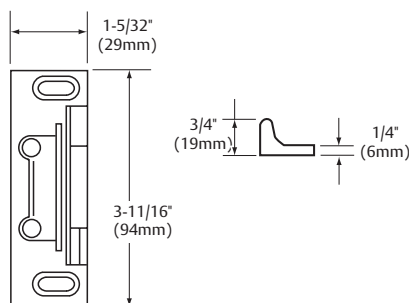
Mechanical Options:

12-
16-
19-
36-
37-
43-
53-
54-
55-
56-
56-HK-
57-
58-
59-
BC-59-
76-
85-
86-
87-
AL-
BT-
CPC-
LD-
PL-
SG-
TL-

Cylinder Options:

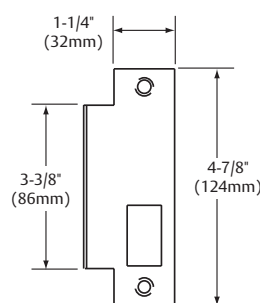
10-
10-21-
10UL-
10-63-
11-
11-21-
11-60-
11-63-
11-64-
11-70-7P-
11-72-7P-
11-73-7P-
11-65-73-7P-
21-
22-
51-
52-
60-
63-
64-
70-
72-
73-
65-73-
65-73-7P-
73-7P-
81-
82-
F1-82-
83-
F1-83-
84-
BR-
LC-
SC-
SE-

646 Top Strike



- Standard for SP8700 and 12-SP8700
- Surface applied to frame
- Black nylon coated

C7710 Mortise Centercase Strike



- Standard for SP8700 and 12-SP8700
- Handed
- Stainless steel only

Available Finishes

SARGENT Finishes	BHMA Finishes
03	605
04	606
09	611
10	612
10B	613
10BE	613E
10BL	614
14	618
15	619
20D	624
26	625
26D	626
32	629
32D	630

PP8600 & PR8600 Center & Top Latch Concealed Vertical Rods for Pair of Doors & Double Egress

80 Series

SARGENT®
ASSA ABLOY

PP8600 & PR8600 Series



PP8600 Shown

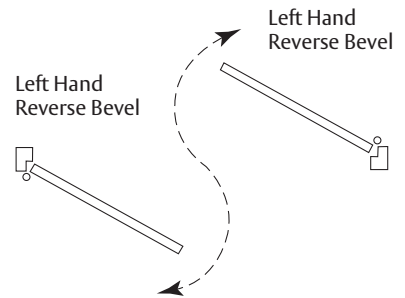
Features

- The security of a stainless steel center bolt and two concealed top bolt without bottom rod issues
- Devices are ANSI A156.3 – 2008 Grade 1
- UL Fire and Panic listed
- Both doors are active. Either door can be opened or closed without affecting the other door. Door coordinators and open back strikes are not required
- Latchbolt adjustable to allow for 1/8" (3mm) - 3/8" (9mm) door gap centerline of bevel
- Top case latchbolt projection adjustable through center case
- Tripping potential removed - no bottom strike
- All functions determined by outside trim
- Concealed rods offer security and aesthetics
- Patented design - U.S. Patent No. 6,174,004

Specifications for PP & PR8600 Series Exit

Door Types	Factory prepped wood/metal doors for surface mounted PP & PR8600 devices 1-3/4" (44mm) Doors only with 2-3/4" (70mm) backset 4-1/2" (114mm) minimum stile (584 Kit required for wood doors)
Rail sizes as determined by door width	Rails are available in 4 sizes, use door width to determine size needed. Rails will be factory cut to size, if door width is supplied. <ul style="list-style-type: none"> • E Rail for 24" to 32" door widths, No cutting required for 32" door • F Rail for 33" to 36" door widths, No cutting required for 36" door • J Rail for 37" to 42" door widths, No cutting required for 42" door • G Rail for 43" to 48" door widths, No cutting required for 48" door
Strike	650 Top Strike (Panic and Fire Rated)
Dogging Feature	Hex key dogging standard on non fired rated devices; specify 16- for cylinder dogging (#41 cylinder supplied)
Electric Options	AL- Alarm BT- Beacon™ PL- SARGuide Photoluminescent Coated TL- SARGuide Illuminated Touchpad 54- Outside Lever Monitoring 55- Request-to-Exit Signal - Rail Monitoring 56- Remote Latch Retraction 57- Delay Egress & Electromagnets 58- Electric Dogging
Mounting Fasteners	Supplied standard with wood and machine screws Available with through-bolts and mortise (sex) nuts
Top & Center Bolt	Stainless steel
Device Centerline from Finished Floor	41" (1041mm) for Standard Applications
Door/Opening Height	Must be specified - 120" (3048mm) Max Door Opening
Center Case Dimensions	8-3/8" (213mm) x 2-5/8" (67mm)
Projection	Pushbar Neutral – 3" (76 mm) Pushbar Depressed – 2-1/8" (54 mm)
Fire Exit Hardware*	See Chart – Page 3

Double Egress Application



Pair of Doors



*For fire-rated, double wood door applications, one 683 thermal pin kit is required per door (Purchased Separately)
How it works: The mortise lock of the PP device has a stainless steel bolt which projects into the mortise lock of the PR device at the center of the door in addition to concealed top bolts in each door.

Copyright © 1998-2014, Sargent Manufacturing Company, an ASSA ABLOY Group company. All rights reserved. Reproduction in whole or in part without the express written permission of Sargent Manufacturing Company is prohibited.

90641-M 1/15/14

PP8600 & PR8600 Functions & Trims

80 Series



How to order: Options 55- Series PP86 Function 13 Rail Lgth F Trim ETL Hand RHR Outside Finish 26D Inside Finish 32D Door Width 36" Door Height 84" AFF 41"

700 Series ET Trim



Exits with ET Trim, specify lever design after the ET designation (e.g., ETL)

Lever Designs for ET Controls

A, B, E, F, J, L, P, W
Also available with Coastal Series & Studio Collection Levers

ET Designation with Suffix (Used to order ET without device)

PP8600 & PR8600 Series: 706-6, 710-6, 713-6, 715-6, 740-6, 743-6, 746-6, 773-6 & 774-6

Freewheeling Trim

The lever rotates when the door is locked preventing excessive force from being applied to the horizontal lever

Electrified ET Trim

Voltage must be specified for the following functions: 73 and 74.
Specify: 12VDC or 24VDC

Note: PP & PR Exit devices should be ordered in pairs, for correct operation; one device engages the other. For single door applications, order SP Device

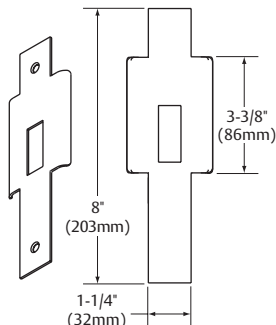
SARGENT Function Numbers	ANSI Function Numbers	Description & Cylinder Info (1-3/4" Door)	ANSI Type 11	
			PP8600 Panic & Fire	PR8600 Panic & Fire
06	09	Key unlocks Trim, Trim retracts latch/ Trim relocks when key is removed #41 Cylinder Supplied	PP8606 x ET_	PR8606 x ET_
10	01	No outside operation (No Cylinder)	PP8610	PR8610
10	02	No outside operation (No Cylinder) ET Control is used as Pull Only	PP8610 x ET_	PR8610 x ET_
13	08	Key Outside Unlocks/locks Trim #41 Cylinder Supplied	PP8613 x ET_	PR8613 x ET_
15	14	Passage Only (No cylinder)	PP8615 x ET_	PR8615 x ET_
40	02	Freewheeling Trim - No outside operation (No Cylinder) Dummy Trim	PP8640 x ET_	PR8640 x ET_
43	08	Freewheeling Trim - Key Outside Unlocks/locks Trim #41 Cylinder Supplied	PP8643 x ET_	PR8643 x ET_
46	09	Freewheeling Trim - Key unlocks Trim, Trim retracts latch/ Trim relocks when key is removed #41 Cylinder Supplied	PP8646 x ET_	PR8646 x ET_
73		Electrified ET Trim - Fail Safe Power Off, Unlocks Lever (No Cylinder)***	PP8673 x ET_	PR8673 x ET_
74		Electrified ET Trim - Fail Secure Power Off, Locks Lever (No Cylinder)***	PP8674 x ET_	PR8674 x ET_

Note: Exit devices are available in all standard finishes, except 14, 15, 26 & 26D. With these finishes, exit devices are supplied in 32 or 32D to match accordingly. 26 or 26D is automatically supplied when 32 or 32D is specified. For nickel finishes, specify 14/32 or 15/32D to receive nickel finished trims and stainless exit devices.

Note: AFF means Above Finished Floor, center line of rail Above Finished Floor

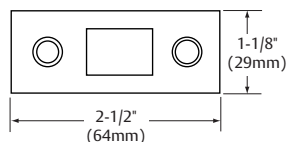
*** Cylinder override is not available with PP & PR 8600 Series Devices

68-1183 Double Lipped PR Mortise Front



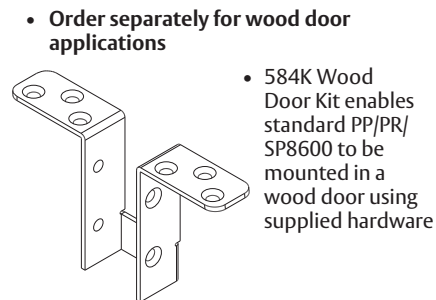
- Standard for PR8600
- Stainless steel only

650 Top Strike



- For application in metal frames
- Stainless steel
- 650 top strike for fire & panic rated devices

*584K Wood Door Kit



- Order separately for wood door applications

- 584K Wood Door Kit enables standard PP/PR/SP8600 to be mounted in a wood door using supplied hardware

Options PP & PR8600 Options	
Mechanical Options:	
12-	
16-	
19-	
36-	
37-	
43-	
53-	
54-	
55-	
56-	
56-HK-	
57-	
58-	
76-	
85-	
86-	
87-	
AL-	
BT-	
CPC-	
LD-	
PL-	
SG-	
TL-	
Cylinder Options:	
10-	
10-21-	
10UL-	
10-63-	
11-	
11-21-	
11-60-	
11-63-	
11-64-	
11-70-7P-	
11-72-7P-	
11-73-7P-	
11-65-73-7P-	
21-	
22-	
51-	
52-	
60-	
63-	
64-	
70-	
72-	
73-	
65-73-	
65-73-7P-	
73-7P-	
81-	
82-	
F1-82-	
83-	
F1-83-	
84-	
BR-	
LC-	
SC-	
SE-	

Available Finishes

SARGENT Finishes	BHMA Finishes
03	605
04	606
09	611
10	612
10B	613
10BE	613E
10BL	614
14	618
15	619
20D	624
26	625
26D	626
32	629
32D	630

SP8600 Center & Top Latch Concealed Vertical Rod for Single Door Applications

80 Series

SARGENT®
ASSA ABLOY



SP8600 Series

Features

- The security of a stainless steel center bolt and a concealed top bolt without bottom rod issues
- Devices are ANSI A156.3 – 2008 Grade 1
- UL Fire and Panic listed
- Latchbolt adjustable to allow for 1/8" (3mm) - 3/8" (9mm) door gap centerline of bevel
- Top case latchbolt projection adjustable through center case
- Tripping potential removed - no bottom strike
- All functions determined by outside trim
- Concealed rods offer security and aesthetics
- Patented design - U.S. Patent No. 6,174,004

Specifications for SP8600 Series Exit

Door Types	Factory prepped wood/metal doors for surface mounted SP 8600 devices 1-3/4" (44mm) Doors only with 2-3/4" (70mm) backset 4-1/2" (114mm) minimum stile (584 Kit required for wood doors)
Rail sizes as determined by door width	Rails are available in 4 sizes, use door width to determine size needed. Rails will be factory cut to size, if door width is supplied <ul style="list-style-type: none"> • E Rail for 24" to 32" door widths, No cutting required for 32" door • F Rail for 33" to 36" door widths, No cutting required for 36" door • J Rail for 37" to 42" door widths, No cutting required for 42" door • G Rail for 43" to 48" door widths, No cutting required for 48" door
Strike	650 Top Strike & C7710 Mortise Strike (Panic and Fire Rated)
Dogging Feature	Hex key dogging standard on non fired rated devices; specify 16- for cylinder dogging (#41 cylinder supplied)
Electric Options	AL- Alarm BT- Beacon™ PL- SARGuide Photoluminescent Coated TL- SARGuide Illuminated Touchpad 54- Outside Lever Monitoring 55- Request-to-Exit Signal - Rail Monitoring 56- Remote Latch Retraction 57- Delay Egress & Electromagnets 58- Electric Dogging
Mounting Fasteners	Supplied standard with machine screws
Top & Center Bolts	Stainless steel
Device Centerline from Finished Floor	41" (1041mm) for Standard Applications
Door/Opening Height	Must be specified - 120" (3048mm) Max Door Opening
Center Case Dimensions	8-3/8" (213mm) x 2-5/8" (67mm)
Projection	Pushbar Neutral – 3" (76mm) Pushbar Depressed – 2-1/8" (54mm)
Fire Exit Hardware*	See Chart – Page 3

Single Door Application

***Note:** Available for 1-3/4" (44mm) thick doors only. No glass bead shim kits or inside panel condition permitted.



SP8613 x ET Trim



* For fire-rated, double wood door applications, one 683 thermal pin kit is required per door (Purchased Separately)
How it works: The mortise lock of the SP device has a stainless steel bolt which projects into the door frame at the center of the door with the additional security of a concealed top bolt.

Copyright © 1998-2014, Sargent Manufacturing Company, an ASSA ABLOY Group company. All rights reserved. Reproduction in whole or in part without the express written permission of Sargent Manufacturing Company is prohibited.

90641-M 1/15/14

SP8600 Functions & Trims

80 Series

How to order: Options 58- Series SP86 Function 13 Rail Lgth F Trim ETL Hand RHR Outside Finish 26D Inside Finish 32D Door Width 36" Door Height 84" AFF 41"

700 Series ET Trim



Exits with ET Trim, specify lever design after the ET designation (e.g., ETL)

Lever Designs for ET Controls

A, B, E, F, J, L, P, W
Also available with Coastal Series & Studio Collection Levers

ET Designation with Suffix (Used to order ET without device)

SP8600 Series: 706-6, 710-6, 713-6, 715-6, 740-6, 743-6, 746-6, 773-6 & 774-6

Freewheeling Trim

The lever rotates when the door is locked preventing excessive force from being applied to the horizontal lever

Electrified ET Trim

Voltage must be specified for the following functions: 73 and 74. Specify: 12VDC or 24VDC

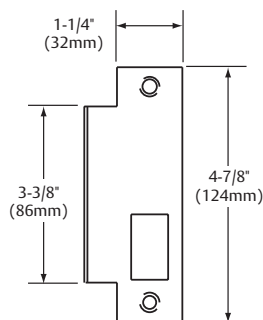
SARGENT Function Numbers	ANSI Function Numbers	Description & Cylinder Info (1-3/4" Door)	ANSI Type 12 SP8600 Panic & Fire
06	09	Key unlocks Trim, Trim retracts latch/ Trim relocks when key is removed #41 Cylinder Supplied	SP8606 x ET_
10	01	No outside operation (No Cylinder)	SP8610
10	02	No outside operation (No Cylinder) ET Control is used as Pull Only	SP8610 x ET_
13	08	Key Outside Unlocks/locks Trim #41 Cylinder Supplied	SP8613 x ET_
15	14	Passage Only (No cylinder)	SP8615 x ET_
40	02	Freewheeling Trim - No outside operation (No Cylinder) Dummy Trim	SP8640 x ET_
43	08	Freewheeling Trim - Key Outside Unlocks/locks Trim #41 Cylinder Supplied	SP8643 x ET_
46	09	Freewheeling Trim - Key unlocks Trim, Trim retracts latch/ Trim relocks when key is removed #41 Cylinder Supplied	SP8646 x ET_
73		Electrified ET Trim - Fail Safe Power Off, Unlocks Lever (No Cylinder)***	SP8673 x ET_
74		Electrified ET Trim - Fail Secure Power Off, Locks Lever (No Cylinder)***	SP8674 x ET_

Note: Exit devices are available in all standard finishes, except 14, 15, 26 & 26D. With these finishes, exit devices are supplied in 32 or 32D to match accordingly. 26 or 26D is automatically supplied when 32 or 32D is specified. For nickel finishes, specify 14/32 or 15/32D to receive nickel finished trims and stainless exit devices.

Note: AFF means Above Finished Floor, center line of rail Above Finished Floor

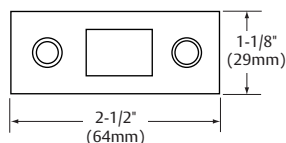
*** Cylinder override is not available with SP 8600 Series Devices

C7710 Mortise Centercase Strike



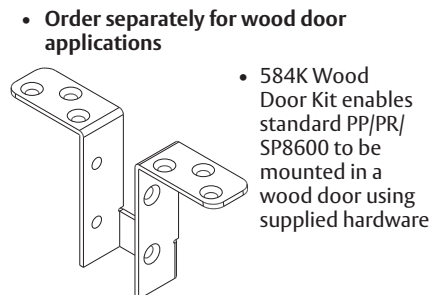
- Standard for SP8600
- Handed
- Stainless steel only

650 Top Strike



- For application in metal frames
- Stainless steel
- Top strike for Panic & Fire Rated

584K Wood Door



- Order separately for wood door applications

- 584K Wood Door Kit enables standard PP/PR/ SP8600 to be mounted in a wood door using supplied hardware

Options
SP8600
Mechanical Options:
12-
16-
19-
36-
37-
43-
53-
54-
55-
56-
56-HK-
57-
58-
76-
85-
86-
87-
AL-
BT-
CPC-
LD-
PL-
SG-
TL-
Cylinder Options:
10-
10-21-
10UL-
10-63-
11-
11-21-
11-60-
11-63-
11-64-
11-70-7P-
11-72-7P-
11-73-7P-
11-65-73-7P-
21-
22-
51-
52-
60-
63-
64-
70-
72-
73-
65-73-
65-73-7P-
73-7P-
81-
82-
F1-82-
83-
F1-83-
84-
BR-
LC-
SC-
SE-

Available Finishes

SARGENT Finishes	BHMA Finishes
03	605
04	606
09	611
10	612
10B	613
10BE	613E
10BL	614
14	618
15	619
20D	624
26	625
26D	626
32	629
32D	630

LP8600 & LR8600 Low Profile Center & Top Latch Concealed Vertical Rods for Pair of Doors & Double Egress

80 Series

SARGENT®
ASSA ABLOY



LP8600 Shown

Specifications

Door Types	Factory prepped metal doors for LP & LR devices. 1-3/4" (44mm) Doors only with 2-3/4" (70mm) backset; 4-1/2" (114mm) minimum stile
Rail sizes as determined by door width	Rails are available in 3 sizes, use door width to determine size needed. • L Rail for 36" door width no cutting required • M Rail for 42" to 44" door width no cutting required • N Rail - 46" to 48" door width no cutting required
Strike	650 Top Strike (Panic and Fire Rated)
Dogging Feature	Hex key dogging standard on non fired rated devices; specify 16- for cylinder dogging (#41 cylinder supplied)
Electric Options	AL- Alarm BT- Beacon™ PL- SARGuide Photoluminescent Coated TL- SARGuide Illuminated Touchpad 54- Outside Lever Monitoring 55- Request-to-Exit Signal - Rail Monitoring 56- Remote Latch Retraction 58- Electric Dogging
Mounting Fasteners	Supplied standard with machine screws
Top & Center Bolts	Stainless steel
Device Centerline from Finished Floor	41" (1041mm) for Standard Applications
Door/Opening Height	Must be specified - 120" (3048mm) Max Door Opening
Center Case Dimensions	8-3/8" (213mm) x 2-5/8" (67mm)
Projection	Pushbar Neutral - 1-1/2" (38mm) Pushbar Depressed - 5/8" (15mm)
Fire Exit Hardware	See Chart - Page 3

How it works: The mortise lock of the LP device has a stainless steel bolt which projects into the mortise lock of the LR device at the center of the door in addition to top bolts in each door.

Pair of Doors



Notes:

1. Available for 1-3/4" (44mm) thick doors only. No glass bead shim kits or inside panel condition permitted.
2. LS/LP/LR8600 are available in the following door sizes only: 36", 42", 44", 46" or 48" (914mm, 1067mm, 1118mm, 1168mm or 1219mm)

Note: The following hollow metal door manufacturers are equipped to reinforce and prepare their steel doors for the LS/LP/LR8600 Series Low Profile exit devices: CECCO, CURRIES and FLEMING. Please check with any other hollow metal door manufacturers regarding their ability to properly reinforce and prepare their doors for these exit devices.

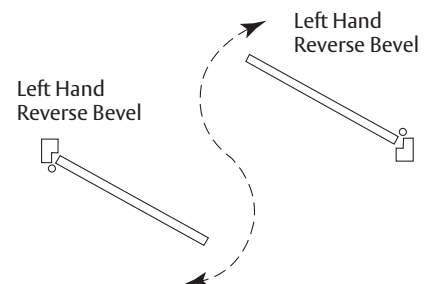
Features

- The security of a stainless steel center bolt, two concealed top bolts and a low profile device for pairs of doors without bottom rod issues
- Devices are ANSI A156.3 - 2008 Grade 1
- UL Fire and Panic listed
- 1-1/2" total projection from face of door
- Center and top latching
- No visible active chassis
- Center latchbolt adjustable for up to 3/8" (9mm) door gap
- Both doors are active. Either door can be opened or closed without affecting the other door. Door coordinators and open back strikes are not required
- Top case latchbolt projection adjustable through top case
- Tripping potential removed - no bottom strike
- All functions determined by outside trim (ET Trim only)
- Concealed rods for security and aesthetics

LP8610 Side View



Double Egress Application



Copyright © 1998-2014, Sargent Manufacturing Company, an ASSA ABLOY Group company. All rights reserved. Reproduction in whole or in part without the express written permission of Sargent Manufacturing Company is prohibited.

90641-M 1/15/14

LP & LR8600 Functions & Trims

80 Series

How to order: Options 55- Series LP86 Function 13 Rail Lgth F Trim ETL Hand RHR Outside Finish 14 Inside Finish 32 Door Width 36" Door Height 84" AFF 41"

700 Series ET Trim



Exits with ET Trim, specify lever design after the ET designation (e.g., ETL)

Lever Designs for ET Controls

A, B, E, F, J, L, P, W
Also available with Coastal Series & Studio Collection Levers

ET Designation with Suffix (Used to order ET without device)

LP8600 & LR8600 Series: 706-6, 710-6, 713-6, 715-6, 740-6, 743-6, 746-6, 773-6 & 774-6

Freewheeling Trim

The lever rotates when the door is locked preventing excessive force from being applied to the horizontal lever

Electrified ET Trim

Voltage must be specified for the following functions: 73 and 74.
Specify: 12VDC or 24VDC

Note: LP & LR Exit devices should be ordered in pairs, for correct operation; one device engages the other. For single door applications, order LS Device

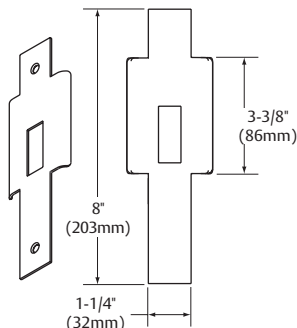
SARGENT Function Numbers	ANSI Function Numbers	Description & Cylinder Info (1-3/4" Door)	ANSI Type 2	
			LP8600 Panic & Fire	LR8600 Panic & Fire
06	09	Key unlocks Trim, Trim retracts latch/ Trim relocks when key is removed #41 Cylinder Supplied	LP8606 x ET_	LR8606 x ET_
10	01	No outside operation (No Cylinder)	LP8610	LR8610
10	02	No outside operation (No Cylinder) ET Control is used as Pull Only	LP8610 x ET_	LR8610 x ET_
13	08	Key Outside Unlocks/locks Trim #41 Cylinder Supplied	LP8613 x ET_	LR8613 x ET_
15	14	Passage Only (No cylinder)	LP8615 x ET_	LR8615 x ET_
40	02	Freewheeling Trim - No outside operation (No Cylinder) Dummy Trim	LP8640 x ET_	LR8640 x ET_
43	08	Freewheeling Trim - Key Outside Unlocks/locks Trim #41 Cylinder Supplied	LP8643 x ET_	LR8643 x ET_
46	09	Freewheeling Trim - Key unlocks Trim, Trim retracts latch/ Trim relocks when key is removed #41 Cylinder Supplied	LP8646 x ET_	LR8646 x ET_
73		Electrified ET Trim - Fail Safe Power Off, Unlocks Lever (No Cylinder)***	LP8673 x ET_	LR8673 x ET_
74		Electrified ET Trim - Fail Secure Power Off, Locks Lever (No Cylinder)***	LP8674 x ET_	LR8674 x ET_

Note: Exit devices are available in all standard finishes, except 14, 15, 26 & 26D. With these finishes, exit devices are supplied in 32 or 32D to match accordingly. 26 or 26D is automatically supplied when 32 or 32D is specified. For nickel finishes, specify 14/32 or 15/32D to receive nickel finished trims and stainless exit devices.

Note: AFF means Above Finished Floor, center line of rail Above Finished Floor

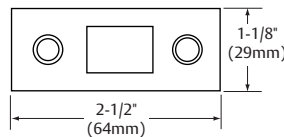
*** Cylinder override is not available with LP & LR 8600 Series Devices

68-1183 Double Lipped LR Mortise Front



- Standard for LR8600
- Stainless steel only

650 Top Strike



- For application in metal frames
- Stainless steel

Options

LP & LR8600

Mechanical Options:

12-
16-
19-
36-
37-
54-
55-
56-
56-HK-
57-
58-
76-
85-
86-
87-
AL-
BT-
CPC-
LD-
PL-
SG-
TL-

Cylinder Options:

10-
10-21-
10UL-
10-63-
11-
11-21-
11-60-
11-63-
11-64-
11-70-7P-
11-72-7P-
11-73-7P-
11-65-73-7P-
21-
22-
51-
52-
60-
63-
64-
70-
72-
73-
65-73-
65-73-7P-
73-7P-
81-
82-
F1-82-
83-
F1-83-
84-
BR-
LC-
SC-
SE-

Available Finishes

SARGENT Finishes	BHMA Finishes
03	605
04	606
09	611
10	612
10B	613
10BE	613E
10BL	614
14	618
15	619
20D	624
26	625
26D	626
32	629
32D	630

LS8600 Low Profile Center & Top Latch Concealed Vertical Rod for Single Door Applications

80 Series

SARGENT®

ASSA ABLOY



LS8600 Series

Specifications for LS8600 Series Exit

Door Types	Factory prepped metal doors for LP & LR devices. 1-3/4" (44mm) Doors only with 2-3/4" (70mm) backset; 4-1/2" (114mm) minimum stile
Rail sizes as determined by door width	Rails are available in 3 sizes, use door width to determine size needed. • L Rail for 36" door width no cutting required • M Rail for 42" to 44" door width no cutting required • N Rail - 46" to 48" door width no cutting required
Strike	650 Top Strike & C7710 Mortise Strike (Panic and Fire Rated)
Dogging Feature	Hex key dogging standard on non fired rated devices; specify 16- for cylinder dogging (#41 cylinder supplied)
Electric Options	AL- Alarm BT- Beacon™ PL- SARGuide Photoluminescent Coated TL- SARGuide Illuminated Touchpad 54- Outside Lever Monitoring 55- Request-to-Exit Signal - Rail Monitoring 56- Remote Latch Retraction 58- Electric Dogging
Mounting Fasteners	Supplied standard with machine screws
Top & Center Bolts	Stainless steel
Device Centerline from Finished Floor	41" (1041 mm) for Standard Applications
Door/Opening Height	Must be specified - 120" (3048mm) Max Door Opening
Center Case Dimensions	8-3/8" (213mm) x 2-5/8" (67mm)
Projection	Pushbar Neutral – 1-1/2" (38mm) Pushbar Depressed – 5/8" (15mm)
Fire Exit Hardware	See Chart – Page 3

How it works: The mortise lock of the LS device has a stainless steel bolt which projects into the door frame at the center of the door with the additional security of a concealed top bolt.

Note:

The following hollow metal door manufacturers are equipped to reinforce and prepare their steel doors for the LS/LP/LR8600 Series Low Profile exit devices: CECO, CURRIES and FLEMING. Please check with any other hollow metal door manufacturers regarding their ability to properly reinforce and prepare their doors for these exit devices.

Features

- The security of a stainless steel center bolt, concealed top bolt and a low profile device for single doors without bottom rod issues
- Devices are ANSI A156.3 – 2008 Grade 1
- UL Fire and Panic listed
- 1-1/2" total projection from face of door
- Center and top latching
- No visible active chassis
- Center latchbolt adjustable for up to 3/8" (9mm) door gap
- Top case latchbolt projection adjustable through top case
- Tripping potential removed - no bottom strike
- All functions determined by outside trim (ET Trim only)
- Concealed rods for security and aesthetics

LS8610 Side View



Notes:

1. Available for 1-3/4" (44mm) thick doors only. No glass bead shim kits or inside panel condition permitted.
2. LS/LP/LR8600 are available in the following door sizes only: 36", 42", 44", 46" or 48" (914mm, 1067mm, 1118mm, 1168mm or 1219mm)

Copyright © 1998-2014, Sargent Manufacturing Company, an ASSA ABLOY Group company. All rights reserved. Reproduction in whole or in part without the express written permission of Sargent Manufacturing Company is prohibited.

LS8600 Functions & Trims

80 Series

How to order: Options 55- Series LP86 Function 13 Rail Lgth F Trim ETL Hand RHR Outside Finish 26D Inside Finish 32D Door Width 36" Door Height 84" AFF 41"

700 Series ET Trim



Exits with ET Trim, specify lever design after the ET designation (e.g., ETL)

Lever Designs for ET Controls

A, B, E, F, J, L, P, W
Also available with Coastal Series & Studio Collection Levers

ET Designation with Suffix (Used to order ET without device)

LS8600 Series: 706-6, 710-6, 713-6, 715-6, 740-6, 743-6, 746-6, 773-6 & 774-6

Freewheeling Trim

The lever rotates when the door is locked preventing excessive force from being applied to the horizontal lever

Electrified ET Trim

Voltage must be specified for the following functions: 73 and 74.
Specify: 12VDC or 24VDC

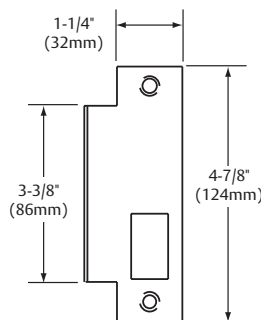
SARGENT Function Numbers	ANSI Function Numbers	Description & Cylinder Info (1-3/4" Door)	ANSI Type 12 LS8600 Panic & Fire
06	09	Key unlocks Trim, Trim retracts latch/ Trim relocks when key is removed #41 Cylinder Required & Supplied	LS8606 x ET_
10	01	No outside operation (No Cylinder)	LS8610
10	02	No outside operation (No Cylinder) ET Control is used as Pull Only	LS8610 x ET_
13	08	Key Outside Unlocks/locks Trim #41 Cylinder Required & Supplied	LS8613 x ET_
15	14	Passage Only (No cylinder)	LS8615 x ET_
40	02	Freewheeling Trim - No outside operation (No Cylinder) Dummy Trim	LS8640 x ET_
43	08	Freewheeling Trim - Key Outside Unlocks/locks Trim #41 Cylinder Supplied	LS8643 x ET_
46	09	Freewheeling Trim - Key unlocks Trim, Trim retracts latch/ Trim relocks when key is removed #41 Cylinder Required & Supplied	LS8646 x ET_
73		Electrified ET Trim - Fail Safe Power Off, Unlocks Lever (No Cylinder)***	LS8673 x ET_
74		Electrified ET Trim - Fail Secure Power Off, Locks Lever (No Cylinder)***	LS8674 x ET_

Note: Exit devices are available in all standard finishes, except 14, 15, 26 & 26D. With these finishes, exit devices are supplied in 32 or 32D to match accordingly. 26 or 26D is automatically supplied when 32 or 32D is specified. For nickel finishes, specify 14/32 or 15/32D to receive nickel finished trims and stainless exit devices.

Note: AFF means Above Finished Floor, center line of rail Above Finished Floor

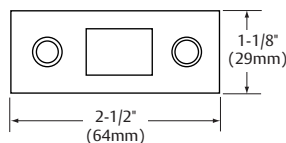
*** Cylinder override is not available with LP 8700 Series Devices

C7710 Mortise Centercase Strike



- Standard for LS8600
- Handed
- Stainless steel only

650 Top Strike



- For application in metal frames
- Stainless steel
- Top strike for Panic & Fire Rated

Options LS8600	
Mechanical Options:	
12-	
16-	
19-	
36-	
37-	
54-	
55-	
56-	
56-HK-	
57-	
58-	
76-	
85-	
86-	
87-	
AL-	
BT-	
CPC-	
LD-	
PL-	
SG-	
TL-	
Cylinder Options:	
10-	
10-21-	
10UL-	
10-63-	
11-	
11-21-	
11-60-	
11-63-	
11-64-	
11-70-7P-	
11-72-7P-	
11-73-7P-	
11-65-73-7P-	
21-	
22-	
51-	
52-	
60-	
63-	
64-	
70-	
72-	
73-	
65-73-	
65-73-7P-	
73-7P-	
81-	
82-	
F1-82-	
83-	
F1-83-	
84-	
BR-	
LC-	
SC-	
SE-	

Available Finishes

SARGENT Finishes	BHMA Finishes
03	605
04	606
09	611
10	612
10B	613
10BE	613E
10BL	614
14	618
15	619
20D	624
26	625
26D	626
32	629
32D	630

UL Listed Hurricane-Resistant Certifications for Single Doors

80 Series



SARGENT
ASSA ABLOY

SARGENT Manufacturing offers a wide variety of products that meet building codes requiring hurricane, windstorm and FEMA certifications. SARGENT products are tested to meet the requirements of the most severe building codes as specified by the Florida Building Code, Miami Dade Code Requirements, Texas Dept of Insurance, and in the International Building Code. Listed on the following pages are certifications and the standards met by these products.

Max. Design Pressure:	+57.2/-57.2 psf	+60/-60 psf	+60/-60 ps	+80/-80 psf
Max. Opening Size:	4'0" x 7'0"	3'0" x 7'0"	4'0" x 7'0"	3'0" x 7'0"
Max. Door Size:	4'0" x 7'0"	3'0" x 7'0"	3'0" x 7'0"	3'0" x 7'0"
Face Type:	Flush (F) or Glazed	Flush (F) or Glazed	Flush (F) or Glazed	Flush (F) or Glazed

CURRIES				
Door:	747 16-Ga.	707, 727 & 747 18-Ga**	607, 707, 727 & 747 18-Ga**	707 18-Ga
Astragal:	N/A	None	None	N/A
Vision Lite Kit Type:	N/A	Type 1 or 2	Type 1 or 2	N/A
Anchors:	Masonry T or WPS	Masonry T or WPS	Masonry T or WPS	Masonry T or WPS
Glazing:	N/A	Glasslam+2 or Clear Polycarbonate	Glasslam+2 or Clear Polycarbonate	N/A
Florida Building Code Product Approval No.	FL8394	FL6351	FL6351	FL8394

McKinney		Interchangeable between these applications		
Hinge:	TA2714	TA2714	Mck14-HD	TA2714
Florida Building Code Product Approval No.	FL9394	FL 9003	FL 9003	FL9394

SARGENT				
Hardware:	HC8800	WS8800**	WS8900**	8900
ANSI 250.13 Windstorm Certification		Yes	Yes	
Florida Building Code Product Approval No.	FL9394	FL4351	FL4351	FL9394

Test Notes:

- All CURRIES doors tested with SARGENT locking hardware and McKINNEY hinges and appropriate auxiliary hardware.
- Glazed door may be glazed with Glasslam Safety Plus 2 or where indicated, Dade County approved 1/4" thick polycarbonate
- Sizes shown maximum allowed. Smaller sizes may be used.
- SARGENT HC8800 UL Certified to ANSI A250.13 at a design pressure of +70/-70 psf.
SARGENT MD8600 UL Certified to ANSI A250.13 at a design pressure of +87.5/-87.5 psf.
Contact CURRIES for detailed frame/door requirements and limitations, as well as all auxiliary hardware requirements.

**Hardware and Door Components Interchangeable.

Copyright © 1998-2014, Sargent Manufacturing Company, an ASSA ABLOY Group company. All rights reserved. Reproduction in whole or in part without the express written permission of Sargent Manufacturing Company is prohibited.

90641-M 1/15/14

UL Listed Hurricane-Resistant Certifications for Pairs of Doors

80 Series



SARGENT
ASSA ABLOY

Max. Design Pressure:	+60/-60 psf	+60/-60 psf	+62/-62 psf	+70/-70 psf	+70/-70 psf
Max. Opening Size:	12'8" x 10'0"	12'8" x 10'0"	8'0" x 8'0"	8'0" x 8'0"	8'0" x 8'0"
Max. Door Size:	6'0" x 8'0"	6'0" x 8'0"	8'0" x 8'0"	8'0" x 8'0"	8'0" x 8'0"
Face Type:	Flush (F) or Glazed (up to Full Glass (FG))	Flush (F) or Glazed (up to Full Glass (FG))	Flush (F)	Flush (F) or Glazed (up to Half Glass (HG))	Flush (F) or Glazed (up to Half Glass (HG))

	Active	Inactive	Active	Inactive	Active	Inactive	Active	Inactive	Active	Inactive
CURRIES										
Door:	707 or 747 16-Ga	707 or 747 16-Ga	707 or 747 16-Ga	707 or 747 16-Ga	747 16-Ga	747 16-Ga	707 or 747 16-Ga	707 or 747 16-Ga	707 or 747 16-Ga	707 or 747 16-Ga
Astragal:	None	None	None	None	None	None	None	None	None	None
Vision Lite Kit Type:	Type 2	Type 2	Type 2	Type 2	N/A	N/A	Type 1 or 2	Type 1 or 2	Type 1 or 2	Type 1 or 2
Anchors:	See Note 5	See Note 5	See Note 5	See Note 5	See Note 5	See Note 5	See Note 5	See Note 5	See Note 5	See Note 5
Glazing:	Glasslam +2	Glasslam +2	Glasslam +2	Glasslam +2	N/A		Glasslam+2 or Clear Polycarbonate		Glasslam+2 or Clear Polycarbonate	
Florida Building Code Product Approval no.	FL3192		FL3192		FL8394		FL2493 & FL8768 See Note 2		FL2493 & FL8768 See Note 2	

McKinney										
Hinge:	TA2714	TA2714	TA2714	TA2714	TA2714	TA2714	TA2714	TA2714	TA2714	TA2714
Florida Building Code Product Approval No.	FL 9003		FL 9003		FL9003		FL 9003		FL 9003	

SARGENT										
Hardware:	MD8600*	MD8600*	HC8800	HC8800	HC8700	HC8700	MD8600*	MD8600*	HC8800	HC8800
Auxiliary Hardware:	None	None	HC980 Mullion		None	None	None	None	HC980 Mullion	
ANSI 250.13 Windstorm Certifications	Yes		Yes		Yes		Yes		Yes	
Florida Building Commission Product Approval Number	FL2998		FL2998		FL2998		FL2998		FL2998	

* See page 14 for MD8600 Windstorm and Florida Building Code information

Test Notes:

- Hardware and door components are interchangeable.
- All doors have 12 gauge lock and end channels and 14 gauge horizontal reinforcing.
- Frame heads have 16" long 12 gauge full or half sleeve reinforcing centered in the frame head.
- SARGENT HC8800 UL Certified to ANSI A250.13 at a design pressure of +70/-70 psf. SARGENT MD8600 UL Certified to ANSI A250.13 at a design pressure of +87.5/-87.5 psf.
- Acceptable anchors for FL8768 & FL8394: Welded Multi-Purpose (WMP), Masonry Wire (MW), Masonry Tee (M), Welded Pipe Spacer (WPS), Existing Wall Anchor (WEWA) & Wood Stud (WWS); Acceptable anchors for FL2493 & FL3192: Masonry Tee (M) and Welded Pipe Spacer Anchors (WPS) Contact CURRIES for detailed frame/door requirements and limitations, as well as all auxiliary hardware requirements.

MD8600 (Hurricane-Resistant) Concealed Vertical Rod Exit Device for Metal Doors

80 Series



SARGENT
ASSA ABLOY

MD8600 Series Concealed Vertical Rod Exit Device for Metal Doors



Features

- Designed for standard width stile applications on hollow metal doors
- Concealed rods for security and aesthetics
- Single and double door applications
- Devices are ANSI A156.3 – 2008 Grade 1
- The standard MD8600 is UL Certified to ZHEM.R21744 (HC & WS Option) and FL2998
- UL Fire and Panic listed

Specifications for MD8600 & NB-MD8600 Series Exit

Door Types	Metal Doors, 1-3/4" (44mm) minimum thickness. For doors over 1-3/4" to 2-1/4" thick, specify thickness and order as 31-Option 4-1/2" (114mm) minimum stile width
Rail sizes as determined by door width	Rails are available in 4 sizes, use door width to determine size needed. Rails will be factory cut to size, if door width is supplied <ul style="list-style-type: none"> • E Rail for 24" to 32" door widths, No cutting required for 32" door • F Rail for 33" to 36" door widths, No cutting required for 36" door • J Rail for 37" to 42" door widths, No cutting required for 42" door • G Rail for 43" to 48" door widths, No cutting required for 48" door
Strike	650 Top Strike & 606 Bottom Strike (Panic and Fire Rated)
Dogging Feature	Hex key dogging standard on non fired rated devices; specify 16- for cylinder dogging (#41 cylinder supplied)
Electric Options	AL- Alarm BT- Beacon™ PL- SARGuide Photoluminescent Coated TL- SARGuide Illuminated Touchpad 53- LX Latchbolt Monitor 54- Outside Lever Monitoring 55- Request-to-Exit Signal - Rail Monitoring 56- Remote Latch Retraction 57- Delay Egress & Electromagnets 58- Electric Dogging 59- Electroguard – Self Contained Delayed Egress (NB- Excluded)
Mounting Fasteners	Supplied standard with machine screws
Top Bolt	Stainless steel
Device Centerline from Finished Floor	41" (1041mm) for Standard Applications 38" (965mm) for elementary schools and to meet local accessibility standards when a 100 Series Auxiliary Control is used
Door/Opening Height	Must be specified - 120" (3048mm) Max Door Opening 96" max door height for HC and WS options
Center Case Dimensions	8-3/8" (213mm) x 2-5/8" (67mm)
Projection	Pushbar Neutral – 3" (76mm) Pushbar Depressed – 2-1/8" (54mm)
Fire Exit Hardware	See Chart – Page 3

Note: MD8600 & 12-MD8600 can be used as NB- Device by simply not installing the bottom rod/bolt.

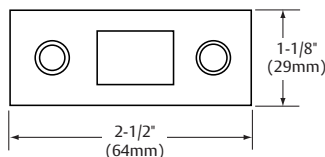
Note: 12-NB Applications require thermal pin. Thermal Pin supplied when ordered as a 12-NB Device

100 Series Aux Control

- Available as an 06 or 13 function
- Supplied with a SARGENT #41 Mortise Cylinder
- Can be used with any SARGENT Mortise Key System

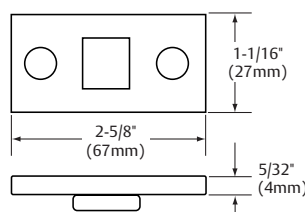


650 Top Strike



- For application in hollow metal frames
- Stainless steel nylon coated

606 Bottom Strike



- Furnished with expansion shields
- Mortised into floor
- Stainless steel

SARGENT Manufacturing offers a wide variety of products that meet building codes requiring hurricane-resistant certification. SARGENT products are independently tested to meet the requirements of the building codes as specified by the Florida Building Code, Miami Dade Code Requirements and in the International Building Code. Listed below are certifications and the standards met by the MD8600 Series exit devices, see Hurricane-Resistant Section of this catalog for additional devices listed and certified.

UL Listed per:

- ANSI/SDI-BHMA A250.13
- ANSI/ASTM E330-2002
- ANSI/ASTM E1886-2005
- ASTM E1996-2009

UL Certification Directory ZHEM.R21744 Latching Hardware

MD8600	Ratings
Door Size	8'-0" x 8'-8"
Design Pressure	+86/-86 psf
Impact	350 ft-lbs
Latch Strength	688 lbf

MD8600 is tested to 70 PSF per ASTM E330, E1886, E1996 and TAS 201, 202, 203; devices have been tested to 86 PSF per ANSI A250.13.

Listed on Florida Building Code Website for Hurricane-Resistance: FL2998

MD8600	
Approved for use in HVHZ:	Yes
Approved for use outside HVHZ:	Yes
Impact Resistant:	Yes
Design Pressure:	+70/-70 psf

For use with outswing, singles & pairs of hollow metal doors & frames as listed with UL

Copyright © 1998-2014, Sargent Manufacturing Company, an ASSA ABLOY Group company. All rights reserved. Reproduction in whole or in part without the express written permission of Sargent Manufacturing Company is prohibited.

90641M 1/15/14

MD8600 & NB-MD8600 Functions & Trims for Metal Doors

80 Series



SARGENT® ASSA ABLOY

How to order:	Options	Series	Function	Rail Lgth	Trim	Hand	Outside Finish	Inside Finish	Door Width	Door Height	AFF	Options
	57-NB-	MD86	13	F	ETL	RHR	03	03	36"	84"	41"	MD8600

700 Series ET Trim



Exits with ET Trim, specify lever design after the ET designation (e.g., ETL)

SARGENT Function Numbers	ANSI Function Numbers	Description & Cylinder Info (1-3/4" Door)	ANSI Type 8 MD8600 Panic & Fire
06	09	Key unlocks Trim, Trim retracts latch/ Trim relocks when key is removed #41 Cylinder Supplied	MD8606 x ET_
10	01	No outside operation (No Cylinder)**	MD8610
10	02	No outside operation (No Cylinder)** ET Control is used as Pull Only	MD8610 x ET_
13	08	Key Outside Unlocks/locks Trim #41 Cylinder Supplied	MD8613 x ET_
15	14	Passage Only (No cylinder)	MD8615 x ET_
40	02	Freewheeling Trim - No outside Operation (No Cylinder)** Dummy Trim	MD8640 x ET_
43	08	Freewheeling Trim - Key Outside Unlocks/locks Trim #41 Cylinder Supplied	MD8643 x ET_
46	09	Freewheeling Trim - Key unlocks Trim, Trim retracts latch/ Trim relocks when key is removed #41 Cylinder Supplied	MD8646 x ET_
73		Electrified ET Trim - Fail Safe Power Off, Unlocks Lever (No Cylinder)**	MD8673 x ET_
74		Electrified ET Trim - Fail Secure Power Off, Locks Lever (No Cylinder)**	MD8674 x ET_

Lever Designs for ET Controls

A, B, E, F, J, L, P, W
Also available with Coastal Series & Studio Collection Levers

ET Designation with Suffix (Used to order ET without device)

MD8600 & NB-MD8600 Series:
706-4, 710-4, 713-4, 715-4, 740-4, 743-4, 746-4, 773-4, & 774-4

Freewheeling Trim

The lever rotates when the door is locked preventing excessive force from being applied to the horizontal lever

Electrified ET Trim

Voltage must be specified for the following functions: 73 and 74.
Specify: 12VDC or 24VDC

Note: Exit devices are available in all standard finishes, except 14, 15, 26 & 26D. With these finishes, exit devices are supplied in 32 or 32D to match accordingly. 26 or 26D is automatically supplied when 32 or 32D is specified. For nickel finishes, specify 14/32 or 15/32D to receive nickel finished trims and stainless exit devices.

Note: AFF means Above Finished Floor, center line of rail Above Finished Floor

** Cylinder Override is available with a 106 Aux Control

Example Order: MD8673F 12V x ETMG x 106 x RHR x 32D x 36" w x 84" h

100 Series Auxiliary Control++ & 862 Pull



SARGENT Function Numbers	ANSI Function Numbers	Description & Cylinder Info (1-3/4" Door)	MD8600 Panic & Fire
06	12	Key unlocks Turn, Turn retracts latch/ Turn relocks when key is removed #41 Cylinder Supplied	MD8610 x 106
10	02	862 Pull Only (Optional Pulls: 863 & 864)	MD8610 x 862 Pull
13	11	Key Outside Unlocks/locks Turn #41 Cylinder Supplied	MD8610 x 113

Note: When ordering MD8600/NB-MD8600 Series Exit Device x 100 Series Aux. Control, specify 10 Function for the exit.
Example: MD8610F x 106 x RHR x 32D x 42" x 90"

++ **Note:** Exit Devices must be mounted 38" AFF when used with a 100 Series Auxiliary Controls to meet ICC/ANSI A117.1-2003 Accessible & Usable Buildings and Facilities Code

Mechanical Options:

- 12-
- 16-
- 19-
- 31-
- 36-
- 37-
- 43-
- 53-
- 54-
- 55-
- 56-
- 56-HK-
- 57-
- 58-
- 59-
- BC-59-
- 76-
- 85-
- 86-
- 87-
- AL-
- BT-
- CPC-
- HC-
- LD-
- NB-
- PL-
- SG-
- TL-
- WS-

Cylinder Options:

- 10-
- 10-21-
- 10UL-
- 10-63-
- 11-
- 11-21-
- 11-60-
- 11-63-
- 11-64-
- 11-70-7P-
- 11-72-7P-
- 11-73-7P-
- 11-65-73-7P-
- 21-
- 22-
- 51-
- 52-
- 60-
- 63-
- 64-
- 70-
- 72-
- 73-
- 65-73-
- 65-73-7P-
- 73-7P-
- 81-
- 82-
- F1-82-
- 83-
- F1-83-
- 84-
- BR-
- LC-
- SC-
- SE-

Available Finishes

SARGENT Finishes	BHMA Finishes
03	605
04	606
09	611
10	612
10B	613
10BE	613E
10BL	614
14	618
15	619
20D	624
26	625
26D	626
32	629
32D	630

UL Listed Hurricane-Resistant HC8800 Rim Exit Device

80 Series



SARGENT®
ASSA ABLOY

SARGENT Manufacturing offers a wide variety of products that meet building codes requiring hurricane-resistant certification. SARGENT products are independently tested to meet the requirements of the building codes as specified by the Florida Building Code, Miami Dade Code Requirements and in the International Building Code. Listed below are certifications and the test standards met by these products.

HC8800 Series Rim Exit Device



Features

- Designed for standard width stile applications on metal doors. For doors 1-3/4" (44mm) thick.
- Devices are ANSI A156.3 – 2008 Grade 1
- UL Fire and Panic listed

Rails are available in 4 sizes, use door width to determine size needed. Rails will be factory cut to size, if door width is supplied

- E Rail for 24" to 32" door widths, No cutting required for 32" door
- F Rail for 33" to 36" door widths, No cutting required for 36" door
- J Rail for 37" to 42" door widths, No cutting required for 42" door
- G Rail for 43" to 48" door widths, No cutting required for 48" door

Note: For additional information on 8800 Series, see page 6

UL Listed:

ANSI/SDI-BHMA A250.13	"Testing and Rating of Severe Windstorm Resistant Components for Swinging Door Assemblies."
ANSI/ASTM E330-2002	"Standard Test Method for Structural Performance of Exterior Windows, Doors, Skylights and Curtain Walls by Uniform Static Air Pressure Difference"
ANSI/ASTM E1886-2005	"Standard Test Method for Performance of Exterior Windows, Curtain Walls, Doors, and Impact Protective Systems Impacted by Missile(s) and Exposed to Cyclic Pressure Differentials"
ASTM E1996-2009	"Standard Specification for Performance of Exterior Windows, Curtain Walls, Doors and Impact Protective Systems Impacted by Windborne Debris in Hurricanes"
TAS 201	"Impact Test Procedures"*
TAS 202	"Criteria for Testing Impact and Non Impact Resistant Building Envelope Components Using Uniform Static Air Pressure"*
TAS 203	"Criteria for Testing Products Subject to Cyclic Wind Pressure Loading"*

* published in the Florida Building Code for use in the High Velocity Hurricane Zone (HVHZ)

UL Certification Directory ZHEM.R21744 Latching Hardware for Hurricane-Resistance

HC8800	Ratings
Door Size	Pair of doors 8'-0" x 8'-0" with HC980 mullion
Design Pressure	+70/-70 psf
Impact	350 ft-lbs
Latch Strength	1120 lbf

UL Certification Directory ZHLL.R21744 Hurricane-Resistant Assemblies

HC8800	Ratings
Door Size	4'-0" x 7'-0" 16 gauge
Design Pressure	+57.2/-57.2 psf
Large Missile Impact	350 ft-lbs

Test Methods: TAS 201, TAS 202, TAS 203

Listed on Florida Building Code Website for Hurricane-Resistance: FL2998

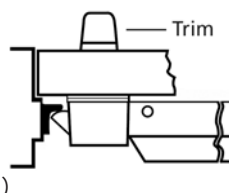
HC8800	HC8800 Series Rim Exit Device x HC980 Mullion
Approved for use in HVHZ:	Yes
Approved for use outside HVHZ:	Yes
Impact Resistant:	Yes
Design Pressure:	+70/-70 psf

For use with outswing, singles & pairs of hollow metal doors & frames as listed with UL

HC8800, 12-HC8800 Series Rim Exit Device

- Chassis: ductile iron
- Requires 2 chassis shims and 2 end bracket shims included with the exit device
- Additional information on HC980 Mullions available in Mullion Section of this catalog

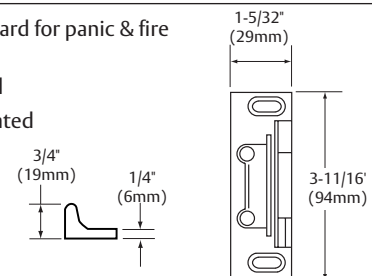
Single Door



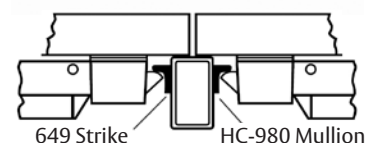
(HC8800)
(12-HC8800)

649 Strike

- Supplied standard for panic & fire rated openings
- Surface applied
- Black nylon coated



Double Door HC-8800 with HC-980 Mullion



Copyright © 1998-2014, Sargent Manufacturing Company, an ASSA ABLOY Group company. All rights reserved. Reproduction in whole or in part without the express written permission of Sargent Manufacturing Company is prohibited.

906413M 1/15/14


UL Listed Hurricane-Resistant HC8800 Functions & Trims

80 Series



SARGENT®

ASSA ABLOY







How to order:	Options 12	Series HC88	Function 13	Rail Lgth F	Trim ETL	Hand RHR	Outside Finish 15	Inside Finish 32D	Door Width 36"	Options for HC8800
700 Series ET Trim										
 Exits with ET Trim, specify lever design after the ET designation (e.g., ETL)										
Lever Designs for ET Controls										
A, B, E, F, J, L, P, W Also available with Coastal Series & Studio Collection Levers										
ET Designation with Suffix (Used to order ET without device)										
HC-8800 Series: 704, 706-8, 710, 713-8, 715-8, 740, 743-8, 744, 746-8, 773-8, 774-8, 775-8 & 776-8										
Freewheeling Trim										
The lever rotates when the door is locked preventing excessive force from being applied to the horizontal lever										
Electrified ET Trim										
Voltage must be specified for the following functions: 73, 74, 75 and 76. Specify: 12VDC or 24VDC										
SARGENT Function Numbers	ANSI Function Numbers	Description & Cylinder Info (1-3/4" Door)					ANSI Type 1 HC8800 Panic & Fire			
04	03	Night Latch Key Retracts Latch #34 Cylinder Supplied					HC8804 x ET_			
06	09	Key unlocks Trim, Trim retracts latch/ Trim relocks when key is removed #41 Cylinder Supplied					HC8806 x ET_			
10	01	No outside operation (No Cylinder)					HC8810			
10	02	No outside operation (No Cylinder) ET Control is used as Pull Only					HC8810 x ET_			
13	08	Key Outside Unlocks/locks Trim #41 Cylinder Supplied					HC8813 x ET_			
15	14	Passage Only (No cylinder)					HC8815 x ET_			
40	02	Freewheeling Trim - No outside operation (No Cylinder) Dummy Trim					HC8840 x ET_			
43	08	Freewheeling Trim - Key Outside Unlocks/locks Trim #41 Cylinder Supplied					HC8843 x ET_			
44	03	Freewheeling Trim - Key Retracts Latch #34 Cylinder Supplied					HC8844 x ET_			
46	09	Freewheeling Trim - Key unlocks Trim, Trim retracts latch/ Trim relocks when key is removed #41 Cylinder Supplied					HC8846 x ET_			
75++		Electrified ET Trim - Fail Safe Power Off, Unlocks Lever, Key Retracts Latch #34 Cylinder Supplied					HC8875 x ET_			
76**		Electrified ET Trim - Fail Secure Power Off, Locks Lever, Key Retracts Latch #34 Cylinder Supplied					HC8876 x ET_			

- Mechanical Options:**
- 12-
 - 16-
 - 19-
 - 31-
 - 36-
 - 37-
 - 43-
 - 54-
 - 55-
 - 56-
 - 56-HK-
 - 57-
 - 58-
 - 76-
 - 85-
 - 86-
 - 87-
 - BT-
 - CPC-
 - LD-
 - PL-
 - SG-
 - TB-
 - TL-
- Cylinder Options:**
- 10-
 - 10-21-
 - 10UL-
 - 10-63-
 - 11-
 - 11-21-
 - 11-60-
 - 11-63-
 - 11-64-
 - 11-70-7P-
 - 11-72-7P-
 - 11-73-7P-
 - 11-65-73-7P-
 - 21-
 - 22-
 - 51-
 - 52-
 - 60-
 - 63-
 - 64-
 - 70-
 - 72-
 - 73-
 - 65-73-
 - 65-73-7P-
 - 73-7P-
 - 81-
 - 82-
 - F1-82-
 - 83-
 - F1-83-
 - 84-
 - BR-
 - LC-
 - SC-
 - SE-

Note: Exit devices are available in all standard finishes, except 14, 15, 26 & 26D. With these finishes, exit devices are supplied in 32 or 32D to match accordingly. 26 or 26D is automatically supplied when 32 or 32D is specified. For nickel finishes, specify 14/32 or 15/32D to receive nickel finished trims and stainless exit devices.
 ++ 75 Function without cylinder is available as a 73 Function
 ** 76 Function without cylinder is available as a 74 Function

- Trim Designations**
- Use three letter designations (Ex "PTB") when ordering the Exit Device with Trim
 - Use the six digit designation (Ex "814-MSL") when ordering trim without an Exit Device, always specify finish

Pull Section

SARGENT Function Numbers	ANSI Function Numbers	Description & Cylinder Info. (1-3/4" Door)						
04	03	Night Latch-Key Retracts Latch #34 Cylinder Supplied	814-FSL*	814-FSW*	814-MSL*	814-PSB*	814-ST5	HC8804 x Trim Designation
10	02	No O/S Operation or Cylinder (Pull Only)	810-FLL	810-FLW	810-MAL	810-PTB	810-ST5	HC8810 x Trim Designation

* FSL, FSW, MSL and PSB trims are used with (HC-& 12-) 8888 and 8804 only and are the same as FLL, FLW, MAL and PTB pulls except for cylinder hole located 3/8" (9mm) lower
Note: FLW & FSW trims are not available in 32(629) or 32D(630)

Available Finishes

SARGENT Finishes	BHMA Finishes
03	605
04	606
09	611
10	612
10B	613
10BE	613E
10BL	614
14	618
15	619
20D	624
26	625
26D	626
32	629
32D	630

UL Listed Hurricane-Resistant WS8800 Rim Exit Device

80 Series



SARGENT
ASSA ABLOY

SARGENT Manufacturing offers a wide variety of products that meet building codes requiring hurricane-resistant certification. SARGENT products are independently tested to meet the requirements of the building codes as specified by the Florida Building Code, Miami Dade Code Requirements and in the International Building Code. Listed below are certifications and the test standards met by these products.

WS8800 Series Rim Exit Device



Features

- WS 8800 available for single hollow metal door applications for 1-3/4" thick door, 3'0" x 7'0" max, with 6" min stile
- Devices are ANSI A156.3 – 2008 Grade 1
- UL Fire and Panic listed

WS8800 rails are available in 2 sizes, use door width to determine size needed. Rails will be factory cut to size, if door width is supplied

- E Rail for 24" to 32" door widths, No cutting required for 32" door
- F Rail for 33" to 36" door widths, No cutting required for 36" door

Note: For additional information on 8800 Series, see page 6

UL Listed:

ANSI/SDI-BHMA A250.13	"Testing and Rating of Severe Windstorm Resistant Components for Swinging Door Assemblies."
ANSI/ASTM E330-2002	"Standard Test Method for Structural Performance of Exterior Windows, Doors, Skylights and Curtain Walls by Uniform Static Air Pressure Difference"
ANSI/ASTM E1886-2005	"Standard Test Method for Performance of Exterior Windows, Curtain Walls, Doors, and Impact Protective Systems Impacted by Missile(s) and Exposed to Cyclic Pressure Differentials"
ASTM E1996-2009	"Standard Specification for Performance of Exterior Windows, Curtain Walls, Doors and Impact Protective Systems Impacted by Windborne Debris in Hurricanes"
TAS 201	"Impact Test Procedures"*
TAS 202	"Criteria for Testing Impact and Non Impact Resistant Building Envelope Components Using Uniform Static Air Pressure"*
TAS 203	"Criteria for Testing Products Subject to Cyclic Wind Pressure Loading"*

* published in the Florida Building Code for use in the High Velocity Hurricane Zone (HVHZ)

UL Certification Directory ZHEM.R21744 Latching Hardware for Hurricane-Resistance

Standard	Ratings
Door Size	Single Door 3'-0" x 7'-0"
Design Pressure	+60/-60 psf
Impact	350 ft-lbs
Latch Strength	630 lbf

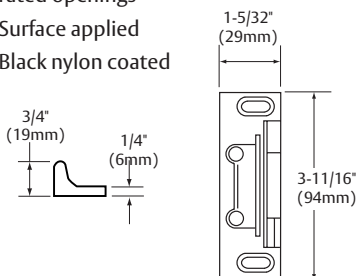
Listed on Florida Building Code Website for Hurricane-Resistance: FL2998

Standard	Ratings
Design Pressure:	+60/-60 psf
Doors	Outswing 3'-0" x 7'-0"
Qualified for Large Missile Impact	Yes
Impact Rating	350 ft-lbs

Tested as a component of an approved
To be used in HVHZ as part of a tested assembly.

649 Strike

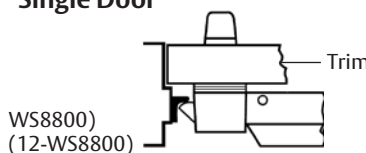
- Supplied standard for panic & fire rated openings
- Surface applied
- Black nylon coated



WS8800, 12-WS8800 Series Rim Exit Device

- Chassis: Non Fire Rated - Nonferrous alloy
- Requires 3 chassis shims and 3 end bracket shims included with the exit device

Single Door



Copyright © 1998-2014, Sargent Manufacturing Company, an ASSA ABLOY Group company. All rights reserved. Reproduction in whole or in part without the express written permission of Sargent Manufacturing Company is prohibited.

90641-M 1/15/14


UL Listed Hurricane-Resistant WS8800 Functions and Trims

80 Series



SARGENT®

ASSA ABLOY







How to order:	Options 12	Series WS88	Function 13	Rail Lgth F	Trim ETL	Hand RHR	Outside Finish 15	Inside Finish 32D	Door Width 36"	Options for HC8800 & WS8800
700 Series ET Trim	 <p>Exits with ET Trim, specify lever design after the ET designation (e.g., ETL)</p>									
Lever Designs for ET Controls	<p>A, B, E, F, J, L, P, W Also available with Coastal Series & Studio Collection Levers</p>									
ET Designation with Suffix (Used to order ET without device)	<p>HC-8800 Series: 704, 706-8, 710, 713-8, 715-8, 740, 743-8, 744, 746-8, 773-8, 774-8, 775-8 & 776-8</p>									
Freewheeling Trim	<p>The lever rotates when the door is locked preventing excessive force from being applied to the horizontal lever</p>									
Electrified ET Trim	<p>Voltage must be specified for the following functions: 73, 74, 75 and 76. Specify: 12VDC or 24VDC</p>									
SARGENT Function Numbers	ANSI Function Numbers	Description & Cylinder Info (1-3/4" Door)						ANSI Type 1 WS8800 Panic & Fire		Mechanical Options: 12- 16- 19- 31- 36- 37- 43- 54- 55- 56- 56-HK- 57- 58- 76- 85- 86- 87- BT- CPC- LD- PL- SG- TB- TL- Cylinder Options: 10- 10-21- 10UL- 10-63- 11- 11-21- 11-60- 11-63- 11-64- 11-70-7P- 11-72-7P- 11-73-7P- 11-65-73-7P- 21- 22- 51- 52- 60- 63- 64- 70- 72- 73- 65-73- 65-73-7P- 73-7P- 81- 82- F1-82- 83- F1-83- 84- BR- LC- SC- SE-
04	03	Night Latch Key Retracts Latch #34 Cylinder Supplied						WS8804 x ET_		
06	09	Key unlocks Trim, Trim retracts latch/ Trim relocks when key is removed #41 Cylinder Supplied						WS8806 x ET_		
10	01	No outside operation (No Cylinder)						WS8810		
10	02	No outside operation (No Cylinder) ET Control is used as Pull Only						WS8810 x ET_		
13	08	Key Outside Unlocks/locks Trim #41 Cylinder Supplied						WS8813 x ET_		
15	14	Passage Only (No cylinder)						WS8815 x ET_		
40	02	Freewheeling Trim - No outside Operation (No Cylinder) Dummy Trim						WS8840 x ET_		
43	08	Freewheeling Trim - Key Outside Unlocks/locks Trim #41 Cylinder Supplied						WS8843 x ET_		
44	03	Freewheeling Trim - Key Retracts Latch #34 Cylinder Supplied						WS8844 x ET_		
46	09	Freewheeling Trim - Key unlocks Trim, Trim retracts latch/ Trim relocks when key is removed #41 Cylinder Supplied						WS8846 x ET_		
75++		Electrified ET Trim - Fail Safe Power Off, Unlocks Lever, Key Retracts Latch #34 Cylinder Supplied						WS8875 x ET_		
76**		Electrified ET Trim - Fail Secure Power Off, Locks Lever, Key Retracts Latch #34 Cylinder Supplied						WS8876 x ET_		

Note: Exit devices are available in all standard finishes, except 14, 15, 26 & 26D. With these finishes, exit devices are supplied in 32 or 32D to match accordingly. 26 or 26D is automatically supplied when 32 or 32D is specified. For nickel finishes, specify 14/32 or 15/32D to receive nickel finished trims and stainless exit devices.
 ++ 75 Function without cylinder is available as a 73 Function
 ** 76 Function without cylinder is available as a 74 Function

Trim Designations

- Use three letter designations (Ex "PTB") when ordering the Exit Device with trim
- Use the six digit designation (Ex "810-MAL") when ordering trim without an Exit Device, always specify finish

Pull Section

SARGENT Function Numbers	ANSI Function Numbers	Description & Cylinder Info. (1-3/4" Door)						
04	03	Night Latch-Key Retracts Latch #34 Cylinder Supplied	814-FSL*	814-FSW*	814-MSL*	814-PSB*	814-ST5	WS8804 x Trim Designation
10	02	No O/S Operation or Cylinder (Pull Only)	810-FLL	810-FLW	810-MAL	810-PTB	810-ST5	WS8810 x Trim Designation

* FSL, FSW, MSL and PSB trims are used with (HC- & 12-) 8888 and 8804 only and are the same as FLL, FLW, MAL and PTB pulls except for cylinder hole located 3/8" (9mm) lower
Note: FLW & FSW trims are not available in 32(629) or 32D(630)

Available Finishes

SARGENT Finishes	BHMA Finishes
03	605
04	606
09	611
10	612
10B	613
10BE	613E
10BL	614
14	618
15	619
20D	624
26	625
26D	626
32	629
32D	630

UL Listed Hurricane-Resistant WS8900 Mortise Lock Exit Device

80 Series



SARGENT
ASSA ABLOY

SARGENT Manufacturing offers a wide variety of products that meet building codes requiring hurricane-resistant certification. SARGENT products are independently tested to meet the requirements of the building codes as specified by the Florida Building Code, Miami Dade Code Requirements and in the International Building Code. Listed below are certifications and the test standards met by these products.

WS8900 Series Mortise Lock Exit Device



Features

- WS8900 available for Single Hollow Metals Doors applications for 1-3/4" Thick door, 3'0" x 7'0" Max. Door with 6" Min Stile
- Requires 4 chassis shims and 4 end bracket shims to be included with exit device
- Devices are ANSI A156.3 – 2008 Grade 1
- UL Fire and Panic listed

WS8900 rails are available in 2 sizes, use door width to determine size needed. Rails will be factory cut to size, if door width is supplied

- E Rail for 24" to 32" door widths, No cutting required for 32" door
- F Rail for 33" to 36" door widths, No cutting required for 36" door

Note: For additional information on 8900 Series and Windstorm Ratings for the standard 8900 Series, see page 8

UL Listed:

ANSI/SDI-BHMA A250.13	"Testing and Rating of Severe Windstorm Resistant Components for Swinging Door Assemblies."
ANSI/ASTM E330-2002	"Standard Test Method for Structural Performance of Exterior Windows, Doors, Skylights and Curtain Walls by Uniform Static Air Pressure Difference"
ANSI/ASTM E1886-2005	"Standard Test Method for Performance of Exterior Windows, Curtain Walls, Doors, and Impact Protective Systems Impacted by Missile(s) and Exposed to Cyclic Pressure Differentials"
ASTM E1996-2009	"Standard Specification for Performance of Exterior Windows, Curtain Walls, Doors and Impact Protective Systems Impacted by Windborne Debris in Hurricanes"
TAS 201	"Impact Test Procedures"*
TAS 202	"Criteria for Testing Impact and Non Impact Resistant Building Envelope Components Using Uniform Static Air Pressure"*
TAS 203	"Criteria for Testing Products Subject to Cyclic Wind Pressure Loading"*

* published in the Florida Building Code for use in the High Velocity Hurricane Zone (HVHZ)

UL Certification Directory ZHEM.R21744 Latching Hardware for Hurricane-Resistance

WS8900	Ratings
Door Size	Single Door 3'-0" x 7'-0"
Design Pressure	+60/-60 psf
Large Missile Impact	350 ft-lbs
Latch Strength	630 lbf

Listed on Florida Building Code Website for Hurricane-Resistance: FL4351-R1

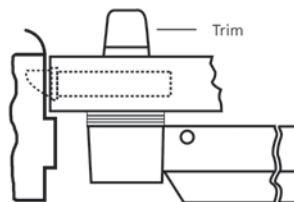
Standard	Ratings
Design Pressure:	+60/-60 psf
Doors	Outswing 3'-0" x 7'-0"
Qualified for Large Missile Impact	Yes
Impact Rating	350 ft-lbs

Tested as a component of an approved
To be used in HVHZ as part of a tested assembly.

Single Door

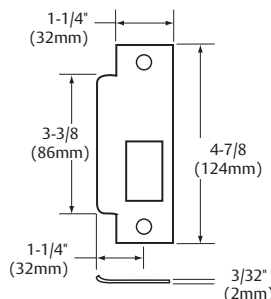
WS8900, 12-WS8900 Series Mortise Exit Device

- Requires 4 chassis shims and 4 end bracket shims included with the exit device



C908 Standard Strike

- Curved lip ANSI A-115.1
- Handed. 1-1/4" (32mm) lip standard
- Longer lips in increments of 1/4" (6mm) through 2-7/8" (73mm) available
- Black nylon coated



Copyright © 1998-2014, Sargent Manufacturing Company, an ASSA ABLOY Group company. All rights reserved. Reproduction in whole or in part without the express written permission of Sargent Manufacturing Company is prohibited.

90641-M 1/15/14

UL Listed Hurricane-Resistant WS8900 Functions & Trims

80 Series



SARGENT®

ASSA ABLOY

How to order: Options 11-63- Series WS89 Function 13 Rail Lgth F Trim ETL Hand RHR Outside Finish 14 Inside Finish 32 Door Width 36"

700 Series ET Trim



Exits with ET Trim, specify lever design after the ET designation (e.g., ETL)

Lever Designs for ET Controls

A, B, E, F, J, L, P, W
Also available with Coastal Series & Studio Collection Levers

ET Designation with Suffix (Used to order ET without device)

WS8900 Series: 704, 706, 710, 713, 715, 716, 740, 743, 744, 773, 774, 775 & 776

Freewheeling Trim

The lever rotates when the door is locked preventing excessive force from being applied to the horizontal lever

Electrified ET Trim and Electrified Mortise Locks

Voltage must be specified for the following functions: 73, 74, 75 and 76. Specify: 12VDC or 24VDC

SARGENT Function Numbers	ANSI Function Numbers	Description & Cylinder Info (1-3/4" Door)	WS8900 Panic & Fire
04	03	Night Latch Key Retracts Latch #46 Cylinder Supplied	WS8904 x ET_
06	09	Key unlocks Trim, Trim retracts Latch/ Trim relocks when key is removed #41 Cylinder Supplied	WS8906 x ET_
10	01	No outside operation (No Cylinder)	WS8910
10	02	No outside operation (No Cylinder) ET Control is used as Pull Only	WS8910 x ET_
13	08	Key Outside Unlocks/locks Trim #41 Cylinder Supplied	WS8913 x ET_
15	14	Passage Only (No cylinder)	WS8915 x ET_
16	10	Key Outside Retracts Latch; Key Inside Unlocks/Locks O/S Trim O/S #46 & I/S #34 Cylinder Supplied	WS8916 x ET_
40	02	Freewheeling Trim - No outside operation (No Cylinder) Dummy Trim	WS8940 x ET_
43	08	Freewheeling Trim - Key Outside Unlocks/locks Trim #41 Cylinder Supplied	WS8943 x ET_
44	03	Freewheeling Trim - Key Retracts Latch For 1-3/4" Door #46 Cylinder Supplied	WS8944 x ET_
75++		Electrified ET Trim - Fail Safe Power Off, Unlocks Lever, Key Retracts Latch For 1-3/4" Door #46 Cylinder Supplied	WS8975 x ET_
76**		Electrified ET Trim - Fail Secure Power Off, Locks Lever, Key Retracts Latch For 1-3/4" Door #46 Cylinder Supplied	WS8976 x ET_

Note: Exit devices are available in all standard finishes, except 14, 15, 26 & 26D. With these finishes, exit devices are supplied in 32 or 32D to match accordingly. 26 or 26D is automatically supplied when 32 or 32D is specified. For nickel finishes, specify 14/32 or 15/32D to receive nickel finished trims and stainless exit devices.
++ 75 Function without cylinder is available as a 73 Function
** 76 Function without cylinder is available as a 74 Function

Pull & Thumb Piece Trim Section

Trim Designations

- Use three letter designations (Ex "PTB") when ordering the Exit Device with trim
- Use the six digit designation (Ex "866-MAL") when ordering trim without an Exit Device, always specify finish & hand



SARGENT Function Numbers	ANSI Function Numbers	Description & Cylinder Info. (1-3/4" Door)	814-FLL	814-FLW	814-MAL	814-PTB	814-ST5	WS8900 Panic & Fire
04	03	Night Latch Key Retracts Latch #41 Cylinder Supplied	814-FLL	814-FLW	814-MAL	814-PTB	814-ST5	WS8904 x Trim Designation
10	02	No O/S Operation or Cylinder (Pull Only)	810-FLL	810-FLW	810-MAL	810-PTB	810-ST5	WS8910 x Trim Designation
28	15	Passage Only (No cylinder)	828-FLL	828-FLW	828-MAL	828-PTB	828-ST5	WS8928 x Trim Designation
63	05	Key Outside Unlocks/ locks Trim #41 Cylinder Supplied	866-FLL	866-FLW	866-MAL	866-PTB	866-ST5	WS8963 x Trim Designation
66	07	Key Outside Retracts Latch; Key Inside Unlocks/Locks O/S Trim O/S #34 & I/S #41 Supplied	866-FLL	866-FLW	866-MAL	866-PTB	866-ST5	WS8966 x Trim Designation

Note: Thumb piece trims for 63 and 66 function devices are identical and are identified as 66 function when trim is ordered separately.
Note: FLW trim is not available in 32(629) or 32D(630)
Note: Thumb Piece Trims used with Mortise Lock Exit Devices are handed.

Options

WS8900

Mechanical Options:

- 12-
- 16-
- 19-
- 23-
- 31-
- 36-
- 37-
- 43-
- 54-
- 55-
- 56-
- 56-HK-
- 57-
- 58-
- 76-
- 85-
- 86-
- 87-
- BT-
- CPC-
- LD-
- PL-
- SG-
- TL-

Cylinder Options:

- 10-
- 10-21-
- 10UL-
- 10-63-
- 11-
- 11-21-
- 11-60-
- 11-63-
- 11-64-
- 11-70-7P-
- 11-72-7P-
- 11-73-7P-
- 11-65-73-7P-
- 21-
- 22-
- 51-
- 52-
- 60-
- 63-
- 64-
- 70-
- 72-
- 73-
- 65-73-7P-
- 73-7P-
- 81-
- 82-
- F1-82-
- 83-
- F1-83-
- 84-
- BR-
- LC-
- *SC-
- *SE-

* Options are not available with the following functions: 04 x ET, 16, 44, 75 & 76

Available Finishes

SARGENT Finishes	BHMA Finishes
03	605
04	606
09	611
10	612
10B	613
10BE	613E
10BL	614
14	618
15	619
20D	624
26	625
26D	626
32	629
32D	630

UL Listed Hurricane Resistant HC4-8700 Surface Vertical Rod Device

80 Series



SARGENT
ASSA ABLOY



HC4-8700 Series Surface Vertical Rod Exit Device

SARGENT Manufacturing offers a wide variety of products that meet building codes requiring hurricane-resistant certification. SARGENT products are independently tested to meet the requirements of the building codes as specified by the Florida Building Code, Miami Dade Code Requirements and in the International Building Code. Listed below are certifications and the test standards met by these products.

Features

- Meets the abuse and high wind loads required by Florida building code including HVHC.
- Note:** For additional information on 8700 Series, see page 10

UL Certification Directory ZHEM.R21774, Latching Hardware

Openings	8'0" x 8'0" (2438mm x 2438mm)
Strikes	659 Top Strike in frame with larger mounting screws for both top and bottom cases. 655 bottom strike furnished standard
Rail sizes as determined by door width	Rails are available in 4 sizes, use door width to determine size needed. Rails will be factory cut to size, if door width is supplied <ul style="list-style-type: none"> • E Rail for 24" to 32" door widths, No cutting required for 32" door • F Rail for 33" to 36" door widths, No cutting required for 36" door • J Rail for 37" to 42" door widths, No cutting required for 42" door • G Rail for 43" to 48" door widths, No cutting required for 48" door
Strike	659 Top Strike (Panic and Fire Rated) 655 Bottom Strike (Panic and Fire Rated)
Dogging Feature	Hex key dogging standard on non fired rated devices; specify 16- for cylinder dogging (#41 cylinder supplied)
Top & Bottom Bolt	Stainless steel
Device Centerline	41" (1041 mm) for Standard Applications 38" (965mm) for elementary schools and to meet local accessibility standards when a 300 Series Auxiliary Control is used
Door/Opening Height	Must be specified - 96" (2438mm) Max Door Opening
Fire Exit Hardware	See Chart – Page 3

HC4-8700	Ratings
Door Size	8'-0" x 8'-0"
Design Pressure	+150/-150 psf
Large Missile Impact	350 ft-lbs

Test Method: ANSI A250.13, ASTM E330, ASTM E1886, ASTM E1996, TAS 201, TAS 202, TAS 203

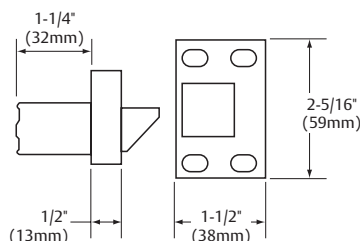
Listed on Florida Building Code Website for Hurricane Resistance # FL12712.2

HC4-8700	Single Flush Door or Pair of Flush Doors with Vertical Rod Exit Devices (Doors may be glazed)
Approved for use in HVHZ:	Yes
Approved for use outside HVHZ:	Yes
Impact Resistant:	Yes
Design Pressure:	+150/-150 psf

Note: Approved single openings cannot be used as a pair, but a door in a pair can be used as a single opening

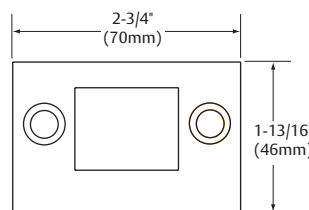
659 Top Strike

- For HC4-8700/12-HC4-8700
- Latchbolt nylon coated
- Stainless steel



655 Bottom Strike

- For HC4-8700/12-HC4-8700
- Stainless steel
- Black nylon coated



Copyright © 1998-2014, Sargent Manufacturing Company, an ASSA ABLOY Group company. All rights reserved. Reproduction in whole or in part without the express written permission of Sargent Manufacturing Company is prohibited.

906413M 1/15/14

UL Listed Hurricane Resistant HC4-8700 Functions & Trims

80 Series



SARGENT®

ASSA ABLOY

How to order: Options 10-63- Series HC4-87 Function 13 Rail Lgth F Trim ETL Hand RHR Outside Finish 15 Inside Finish 32D Door Width 36" Door Height 84" AFF 41"

700 Series ET Trim



Exits with ET Trim, specify lever design after the ET designation (e.g., ETL)

Lever Designs for ET Controls

A, B, E, F, J, L, P, W
Also available with Coastal Series & Studio Collection Levers

ET Designation with Suffix (Used to order ET without device)

HC4-8700 Series: 706, 710, 713, 715, 740, 743, 746, 773 & 774

Freewheeling Trim

The lever rotates when the door is locked preventing excessive force from being applied to the horizontal lever

Electrified ET Trim

Voltage must be specified for the following functions: 73 and 74.
Specify: 12VDC or 24VDC

SARGENT Function Numbers	ANSI Function Numbers	Description & Cylinder Info (1-3/4" Door)	ANSI Type 2 HC4-8700 Panic & Fire
06	09	Key unlocks Trim, Trim retracts latch/ Trim relocks when key is removed #41 Cylinder Supplied	HC4-8706 x ET_
10	01	No outside operation (No Cylinder)	HC4-8710
10	02	No outside operation (No Cylinder) ET Control is used as Pull Only	HC4-8710 x ET_
13	08	Key Outside Unlocks/locks Trim #41 Cylinder Supplied	HC4-8713 x ET_
15	14	Passage Only (No cylinder)	HC4-8715 x ET_
40	02	Freewheeling Trim - No outside operation (No Cylinder) Dummy Trim	HC4-8740 x ET_
43	08	Freewheeling Trim - Key Outside Unlocks/locks Trim #41 Cylinder Supplied	HC4-8743 x ET_
46	09	Freewheeling Trim - Key unlocks Trim, Trim retracts latch/ relocks when key is removed #41 Cylinder Supplied	HC4-8746 x ET_
73		Electrified ET Trim - Fail Safe Power Off, Unlocks Lever (No Cylinder)	HC4-8773 x ET_
74		Electrified ET Trim - Fail Secure Power Off, Locks Lever (No Cylinder)	HC4-8774 x ET_

Note: Exit devices are available in all standard finishes, except 14, 15, 26 & 26D. With these finishes, exit devices are supplied in 32 or 32D to match accordingly. 26 or 26D is automatically supplied when 32 or 32D is specified. For nickel finishes, specify 14/32 or 15/32D to receive nickel finished trims and stainless exit devices.

Note: AFF means Above Finished Floor, center line of rail Above Finished Floor

Pull & Thumb Piece Trim Section

Trim Designations

- Use only letter designations when ordering the Exit Device with trim
- Use the six digit designation (Ex "866-MAL") when ordering trim without an Exit Device, always specify finish

Series



HC4-8700
Panic & Fire

SARGENT Function Numbers	ANSI Function Numbers	Description & Cylinder Info. (1-3/4" Door)	810-FLL	810-FLW	810-MAL	810-PTB	810-ST5	HC4-8710 x Trim Designation
10	02	Pull Only (No Cylinder)						

Note: FLW trim is not available in 32(629) or 32D(630)

Options HC4-8700
Mechanical Options:
12-
16-
19-
31-
36-
37-
43-
53-
54-
55-
56-
56-HK-
57-
58-
59-
BC-59-
76-
85-
86-
87-
AL-
BT-
CPC-
LD-
PL-
SG-
TB-
TL-
Cylinder Options:
10-
10-21-
10UL-
10-63-
11-
11-21-
11-60-
11-63-
11-64-
11-70-7P-
11-72-7P-
11-73-7P-
11-65-73-7P-
21-
22-
51-
52-
60-
63-
64-
70-
72-
73-
65-73-
65-73-7P-
73-7P-
81-
82-
F1-82-
83-
F1-83-
84-
BR-
LC-
SC-
SE-

Available Finishes

SARGENT Finishes	BHMA Finishes
03	605
04	606
09	611
10	612
10B	613
10BE	613E
10BL	614
14	618
15	619
20D	624
26	625
26D	626
32	629
32D	630

UL Listed Hurricane-Resistant HC8700 Surface Vertical Rod Device

80 Series



SARGENT
ASSA ABLOY



HC8700 Series Surface Vertical Rod Exit Device

SARGENT Manufacturing offers a wide variety of products that meet building codes requiring hurricane-resistant certification. SARGENT products are independently tested to meet the requirements of the building codes as specified by the Florida Building Code, Miami Dade Code Requirements and in the International Building Code. Listed below are certifications and the test standards met by these products.

Features

- Meets the abuse and high wind loads required by Florida building code including HVHC.
- Accepted & approved with CURRIES hollow metal doors and MCKINNEY hinges. Any substitution of hardware makes the Hurricane Code inapplicable.

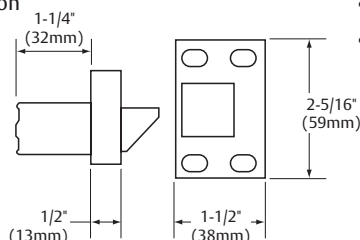
Note: For additional information on 8700 Series, see page 10

Openings	8'0" x 8'0" (2438mm x 2438mm) Curries 16 gauge 747 flush, S edge
Frames	CURRIES 16 gauge KD, Pipe spacer anchors only, 12 gauge full sleeve reinforcing and existing opening anchor in head of frame
Weatherstrip/threshold	Testing and approved: Pemko S88 on head & jamb Pemko 2005AS as threshold
Hinges	MCKINNEY TA2714 or T2714
Hardware Configuration 1	SARGENT HC8700 or 12-HC8700 Exit Devices on both leaves - Pairs of Doors, Florida Building Code Acceptance FL 8394.8
Hardware Configuration 2 Vertical Rod Exit & Mortise Lock	SARGENT 8200 Series mortise lock (active), SARGENT HC8700 or 12-HC8700 exit devices (inactive), Ives 360 surface bolts at 5 3/4" (147mm) at centerline - Pairs of Doors with 8200 Series Mortise Lock, Florida Building Code Acceptance FL 8394.8
Strikes	654 top bolt in frame with larger mounting screws for both top and bottom cases. 655 bottom strike furnished standard
Rail sizes as determined by door width	Rails are available in 4 sizes, use door width to determine size needed. Rails will be factory cut to size, if door width is supplied <ul style="list-style-type: none"> • E Rail for 24" to 32" door widths, No cutting required for 32" door • F Rail for 33" to 36" door widths, No cutting required for 36" door • J Rail for 37" to 42" door widths, No cutting required for 42" door • G Rail for 43" to 48" door widths, No cutting required for 48" door
Strike	654 Top Latch (Panic and Fire Rated) 655 Bottom Strike (Panic and Fire Rated)
Dogging Feature	Hex key dogging standard on non fired rated devices; specify 16- for cylinder dogging (#41 cylinder supplied)
Top & Bottom Bolt	Stainless steel
Device Centerline	41" (1041 mm) for Standard Applications 38" (965mm) for elementary schools and to meet local accessibility standards when a 300 Series Auxiliary Control is used
Door/Opening Height	Must be specified - 96" (2438mm) Max Door Opening
Fire Exit Hardware	See Chart – Page 3

Note: Approved single openings cannot be used as a pair, but a door in a pair can be used as a single opening

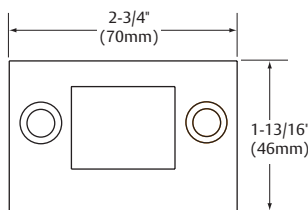
654 Top Latch

- For HC8700/12-HC8700
- Latchbolt nylon coated
- Stainless steel



655 Bottom Strike

- For HC8700/12-HC8700
- Stainless steel
- Black nylon coated



UL Certification Directory ZHL.R4313 Hurricane-Resistant Assemblies

HC8700	Ratings
Door Size	8'-0" x 8'-8" 16 gauge
Design Pressure	+65/-65 psf
Large Missile Impact	350 ft-lbs

Test Method: TAS 201, TAS 202, TAS 203

Listed on Florida Building Code Website for Hurricane-Resistance: FL8394-R1 as part of CURRIES assembly on a 8'0" x 8'0" door

HC8700	CURRIES Model 747 Single Flush Door or Pair of Flush Doors with Vertical Rod Exit Devices
Approved for use in HVHZ:	Yes
Approved for use outside HVHZ:	Yes
Impact Resistant:	Yes
Design Pressure:	+62/-62 psf

Copyright © 1998-2014, Sargent Manufacturing Company, an ASSA ABLOY Group company. All rights reserved. Reproduction in whole or in part without the express written permission of Sargent Manufacturing Company is prohibited.

906413M 1/15/14

UL Listed Hurricane-Resistant HC8700 Functions & Trims

80 Series



SARGENT®

ASSA ABLOY

How to order:	Options	Series	Function	Rail Lgth	Trim	Hand	Outside Finish	Inside Finish	Door Width	Door Height	AFF
	10-63-	HC87	13	F	ETL	RHR	15	32D	36"	84"	41"

700 Series ET Trim



Exits with ET Trim, specify lever design after the ET designation (e.g., ETL)

Lever Designs for ET Controls

A, B, E, F, J, L, P, W
Also available with Coastal Series & Studio Collection Levers

ET Designation with Suffix (Used to order ET without device)

HC8700 Series: 706, 710, 713, 715, 740, 743, 746, 773 & 774

Freewheeling Trim

The lever rotates when the door is locked preventing excessive force from being applied to the horizontal lever

Electrified ET Trim

Voltage must be specified for the following functions: 73 and 74.
Specify: 12VDC or 24VDC

SARGENT Function Numbers	ANSI Function Numbers	Description & Cylinder Info (1-3/4" Door)	ANSI Type 2 HC8700 Panic & Fire
06	09	Key unlocks Trim, Trim retracts latch/ Trim relocks when key is removed #41 Cylinder Supplied	HC8706 x ET_
10	01	No outside operation (No Cylinder)**	HC8710
10	02	No outside operation (No Cylinder)** ET Control is used as Pull Only	HC8710 x ET_
13	08	Key Outside Unlocks/locks Trim #41 Cylinder Supplied	HC8713 x ET_
15	14	Passage Only (No cylinder)	HC8715 x ET_
40	02	Freewheeling Trim - No outside operation (No Cylinder)** Dummy Trim	HC8740 x ET_
43	08	Freewheeling Trim - Key Outside Unlocks/locks Trim #41 Cylinder Supplied	HC8743 x ET_
46	09	Freewheeling Trim - Key unlocks Trim, Trim retracts latch/ relocks when key is removed #41 Cylinder Supplied	HC8746 x ET_
73		Electrified ET Trim - Fail Safe Power Off, Unlocks Lever (No Cylinder)**	HC8773 x ET_
74		Electrified ET Trim - Fail Secure Power Off, Locks Lever (No Cylinder)**	HC8774 x ET_

Note: Exit devices are available in all standard finishes, except 14, 15, 26 & 26D. With these finishes, exit devices are supplied in 32 or 32D to match accordingly. 26 or 26D is automatically supplied when 32 or 32D is specified. For nickel finishes, specify 14/32 or 15/32D to receive nickel finished trims and stainless exit devices.

Note: AFF means Above Finished Floor, center line of rail Above Finished Floor

** Cylinder Override is available with a 306 Aux Control

Example Order: 8773F 12V x ETMG x 306 x RHR x 32D x 36" w x 84" h

300 Series++

Auxiliary Control & 862 Pull



300 Series
Aux. Control



862 Pull

SARGENT Function Numbers	ANSI Function Numbers	Description & Cylinder Info (1-3/4" Door)	HC8700 Panic & Fire
06	12	Key unlocks Turn, Turn retracts latch/ Turn relocks when key is removed #41 Cylinder Supplied	HC8710 x 306
10	02	862 Pull Only (Optional Pulls: 863 & 864)	HC8710 x 862
13	11	Key Outside Unlocks/locks Turn #41 Cylinder Supplied	HC8710 x 313

Note: When ordering HC8700 Series Exit Device x 300 Series Aux. Control, specify 10 Function for the exit. Example: HC8710F x 306 x RHR x 32D x 42" x 90"

++ **Note:** Exit Devices must be mounted 38" AFF when used with a 300 Series Auxiliary Controls to meet ICC/ANSI A117.1-2003 Accessible & Usable Buildings and Facilities Code

Pull & Thumb Piece Trim Section

Trim Designations

- Use only letter designations when ordering the Exit Device with trim
- Use the six digit designation (Ex "866-MAL") when ordering trim without an Exit Device, always specify finish

Series

SARGENT Function Numbers	ANSI Function Numbers	Description & Cylinder Info. (1-3/4" Door)	810-FLL	810-FLW	810-MAL	810-PTB	810-ST5	HC8700 Panic & Fire
10	02	Pull Only (No Cylinder)**						HC8710 x Trim Designation

*** Cylinder Override is available with a 306 Aux Control

Note: FLW trim is not available in 32(629) or 32D(630)

Options HC8700
Mechanical Options:
12-
16-
19-
31-
36-
37-
43-
53-
54-
55-
56-
56-HK-
57-
58-
59-
BC-59-
76-
85-
86-
87-
AL-
BT-
CPC-
LD-
PL-
SG-
TB-
TL-
Cylinder Options:
10-
10-21-
10UL-
10-63-
11-
11-21-
11-60-
11-63-
11-64-
11-70-7P-
11-72-7P-
11-73-7P-
11-65-73-7P-
21-
22-
51-
52-
60-
63-
64-
70-
72-
73-
65-73-7P-
73-7P-
81-
82-
F1-82-
83-
F1-83-
84-
BR-
LC-
SC-
SE-

Available Finishes

SARGENT Finishes	BHMA Finishes
03	605
04	606
09	611
10	612
10B	613
10BE	613E
10BL	614
14	618
15	619
20D	624
26	625
26D	626
32	629
32D	630

UL Listed Hurricane-Resistant FM8700 Surface Vertical Rod Exit Device 80 Series



SARGENT®
ASSA ABLOY



**FM8700 Series
Surface Vertical Rod
Exit Device**

Features

- SARGENT's FM8700 is one of the only 2-point latching exit device in the industry UL approved to ANSI standards to comply to FEMA 361 guidelines
- Requires no complicated, expensive door prep
- Specially machined rail and internal components make the FM8700 sturdier and more robust than standard products

FM8700

UL Certification Directory ZHLL.R4313 Hurricane-Resistant Assemblies

Test Method	Ratings
FEMA 361	270 PSF Static Load on a pair of doors 8'-0" x 8'-0" without a mullion; 15-lb lumber 2x4 Missile Impact @ 100 MPH
ICC 500	270 PSF Static Load on a pair of doors 8'-0" x 8'-0" without a mullion; 15-lb lumber 2x4 Missile Impact @ 100 MPH

Note: Maximum door size 8'-0" x 8'-0", Minimum 16 Gauge pair doors

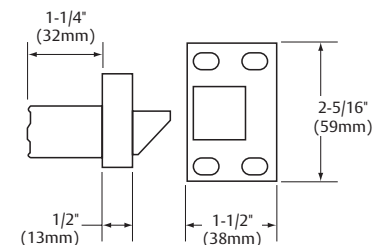
Restriction Notes:

- The listed items are the maximum allowable conditions to which the hardware is approved
- Approved on 8'-0" x 8'-0" double door openings without a mullion
- The openings must be configured as described. No hardware substitutions are permitted

Specifications:

For Doors	CECO and CURRIES StormPro 361 Series Door
Frames	16 gauge KD, pipe spacer anchors only, 12 gauge full sleeve reinforcing and existing opening anchor in head of frame - Up to 8'-0" x 8'-0" for pairs of fire rated doors - Up to 4'-0" x 8'-0" for single fire rated doors (Requires 4 Thermal Pins)
Hardware	McKINNEY 4-1/2" x 4-1/2" Heavy Weight Hinge: SARGENT FM8700 or 12-FM8700 Exit Device on both leaves or single door applications
Strikes	659 Top Strike in frame and 653 bottomstrike furnished standard
Rail sizes as determined by door width	Rails are available in 4 sizes, use door width to determine size needed. Rails will be factory cut to size, if door width is supplied • E Rail for 28" to 32" door widths, No cutting required for 32" door • F Rail for 33" to 36" door widths, No cutting required for 36" door • J Rail for 37" to 42" door widths, No cutting required for 42" door • G Rail for 43" to 48" door widths, No cutting required for 48" door
Dogging Feature	Hex key dogging available on non fired rated devices only
Electric Options	PL- SARGuide Photoluminescent Coated Option 54- Outside Lever Monitoring Option
Mounting Fasteners	Supplied standard with machine screws and with throughbolts for the latch cases
Top & Bottom Bolt	Stainless steel
Device Centerline from Finished Floor	41" (1041mm) for Standard Applications 38" (965mm) for elementary schools and to meet local accessibility standards a when 300 Series Auxiliary Control is used
Door/Opening Height	Must be specified - 96" (2438mm) Max Door
Center Case Dimensions	8-3/8" (213mm) x 2-5/8" (67mm)
Projection	Pushbar Neutral – 3" (76mm) Pushbar Depressed – 2-1/8" (54mm)
Fire Exit Hardware	See Chart – Page 3

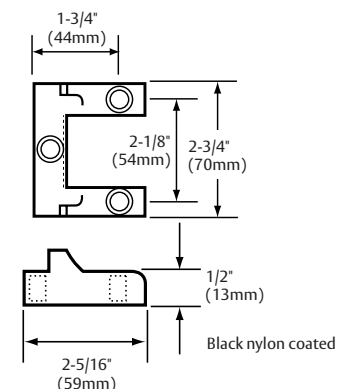
659 Top Strike



- For Panic & Fire Rated
- Latchbolt nylon coated
- Stainless steel

653 Strike

653 Bottom Strike
Panic and Fire-Rated



UL Listed Hurricane-Resistant FM8700 Functions & Trims

80 Series



SARGENT®

ASSA ABLOY

How to order: Options 12- Series FM87 Function 13 Rail Lgth F Trim ETL Hand RHR Outside Finish 15 Inside Finish 32D Door Width 36" Door Height 84" AFF 41"

700 Series ET Trim



Exits with ET Trim, specify lever design after the ET designation (e.g., ETL)

Lever Designs for ET Controls

A, B, E, F, J, L, P, W
Also available with Coastal Series & Studio Collection Levers

ET Designation with Suffix (Used to order ET without device)

FM8700 Series: 706, 710, 713, 715, 740, 743, 746, 773 & 774

Freewheeling Trim

The lever rotates when the door is locked preventing excessive force from being applied to the horizontal lever

Electrified ET Trim

Voltage must be specified for the following functions: 73 and 74.
Specify: 12VDC or 24VDC

SARGENT Function Numbers	ANSI Function Numbers	Description & Cylinder Info (1-3/4" Door)	ANSI Type 2 FM8700 (Panic & Fire)
06	09	Key unlocks Trim, Trim retracts latch/ Trim relocks when key is removed #41 Cylinder Supplied	FM8706 x ET_
10	01	No outside operation (No Cylinder)**	FM8710
10	02	No outside operation (No Cylinder)** ET Control is used as Pull Only	FM8710 x ET_
13	08	Key Outside Unlocks/locks Trim #41 Cylinder Supplied	FM8713 x ET_
15	14	Passage Only (No cylinder)	FM8715 x ET_
40	02	Freewheeling Trim - No outside operation (No Cylinder)** Dummy Trim	FM8740 x ET_
43	08	Freewheeling Trim - Key Outside Unlocks/locks Trim #41 Cylinder Supplied	FM8743 x ET_
46	09	Freewheeling Trim - Key unlocks Trim, Trim retracts latch/ relocks when key is removed #41 Cylinder Supplied	FM8746 x ET_
73		Electrified ET Trim - Fail Safe Power Off, Unlocks Lever (No Cylinder)**	FM8773 x ET_
74		Electrified ET Trim - Fail Secure Power Off, Locks Lever (No Cylinder)**	FM8774 x ET_

Note: Exit devices are available in all standard finishes, except 14, 15, 26 & 26D. With these finishes, exit devices are supplied in 32 or 32D to match accordingly. 26 or 26D is automatically supplied when 32 or 32D is specified. For nickel finishes, specify 14/32 or 15/32D to receive nickel finished trims and stainless exit devices.

Note: AFF means Above Finished Floor, center line of rail Above Finished Floor

** Cylinder Override is available with a 306 Aux Control

Example Order: 8773F 12V x ETMG x 306 x RHR x 32D x 36" w x 84" h



300 Series Auxiliary++ Control



300 Series Aux. Control

SARGENT Function Numbers	ANSI Function Numbers	Description & Cylinder Info (1-3/4" Door)	FM8700 Panic & Fire
06	12	Key unlocks Turn, Turn retracts latch/ Turn relocks when key is removed #41 Cylinder Supplied	FM8710 x 306
13	11	Key Outside Unlocks/locks Turn #41 Cylinder Supplied	FM8710 x 313

Note: When ordering FM8700 Series Exit Device x 300 Series Aux. Control, specify 10 Function for the exit.

Example: FM8710F x 306 x RHR x 32D x 42" x 90"

++ **Note:** Exit Devices must be mounted 38" AFF when used with a 300 Series Auxiliary Controls to meet ICC/ANSI A117.1-2003 Accessible & Usable Buildings and Facilities Code

Options FM8700
Mechanical Options:
12-
36-
37-
43-
54-
76-
85-
86-
87-
CPC-
LD-
PL-
SG-
TB-
Cylinder Options:
10-
10-21-
10UL-
10-63-
11-
11-21-
11-60-
11-63-
11-64-
11-70-7P-
11-72-7P-
11-73-7P-
11-65-73-7P-
21-
22-
51-
52-
60-
63-
64-
70-
72-
73-
65-73-
65-73-7P-
73-7P-
81-
82-
F1-82-
83-
F1-83-
84-
BR-
LC-
SC-
SE-

Available Finishes

SARGENT Finishes	BHMA Finishes
03	605
04	606
09	611
10	612
10B	613
10BE	613E
10BL	614
14	618
15	619
20D	624
26	625
26D	626
32	629
32D	630

ElectroLynx® Information & Option Compatibility Chart

80 Series



ElectroLynx Connector & Color Chart

Electrified Trim (Solenoid ET and/or 54-) requires its own QC8 Hinge

PRODUCT	8 PIN CONNECTOR							
	1- Black	2- Red	3- White	4- Green	5- Orange	6- Blue	7- Brown	8- Yellow
ELECTRIFIED EXIT TRIM	Power		Lever Monitoring					
Solenoid Functions and Lever Monitoring	solenoid ET Trim		54- Switch Option					
	NEG	POS	C	NO	NC			

Note: For more information on ElectroLynx® Retrofit Kits and harnesses, see instruction document A7738, located at the SARGENT web site.

Electrified Exit Devices will require their own QC8 or QC12 Hinge as determined by specified options (see chart below)

PRODUCT	8 PIN CONNECTOR								4 PIN CONNECTOR				FLYING LEADS		
	1- Black	2- Red	3- White	4- Green	5- Orange	6- Blue	7- Brown	8- Yellow	9- Violet	10- Gray	11- Pink	12- Tan	13-Red/ Green	14-Red/ Yellow	14-Red/ Black
EXIT DEVICES	Power		Latch Monitoring			Rail Monitoring			SARGuide Power		56-				
80 Series Exits	56- & 58-		53- Switch Option			55- Switch Option			TL- SARGuide		56- TIMER CIRCUIT				
	NEG	POS	C	53-NO 56-EG	53-NC 53-56-NO	C	NO	NC	NEG	POS	A	B			
DELAYED EGRESS EXIT DEVICES															
57-80 Series Exits	Power		Fire Alarm	Earth Ground	External Inhibit	Door Status	EXTERNAL MAGNET								
	NEG	POS					NEG	POS							
59-80 Series Electroguard	Power		Fire Alarm	Earth Ground	External Inhibit	Door Status	Remote Alarm Relay			LBM - OPTION			VOICE/GANG		
	NEG	POS					C	NO	NC	C	NO	NC	C	NO	NC
BT- 80 Series Beacon	Power		Not Used	Earth Ground	+IN/CC	-IN/CC	+RET	-RET	TL-SARGuide		+SIL	-SIL			
	NEG	POS							NEG	POS					

All electrical options are supplied with ElectroLynx® connectors and require MCKINNEY QC Hinges and cables to complete the system

Electrical Option Availability Chart												
Primary Options	Compatible Options											
12- Fire Rated	AL-	BT-			53-	55-	56-	57-	58-	59-	TL-	
*AL- Alarmed Exit			12-		53-				58-		TL-	
TL- SARGuide®	AL-	BT-	12-	16- <u>‡</u>	53-	55-	56-	57-	58-			
BT- Beacon			12-								TL-	
16- Cylinder Dogging					53-	55-	56-		58-		TL-	
53- Latch Monitoring	AL-		12-	16- <u>‡</u>		55-	56-		58-		TL-	
55- Rail Monitoring			12-	16- <u>‡</u>	53-		56-		58-		TL-	
56- Electric Latch Retraction			12-	16- <u>‡</u>	53-	55-					TL-	
57- Delayed Egress			12-								TL-	
58- Electric Dogging	AL-		12-	16- <u>‡</u>	53-	55-					TL-	
**59- Electroguard®			12-									

How to use this chart: Select appropriate option in the left column, under "Primary Option", then follow the row to find compatible options.

Note: Underlined compatible options affect minimum door width. Consult factory.

* The AL- design includes monitored push rail

** The 59- design includes monitored push rail and latch

Copyright © 1998-2014, Sargent Manufacturing Company, an ASSA ABLOY Group company. All rights reserved. Reproduction in whole or in part without the express written permission of Sargent Manufacturing Company is prohibited.

90641M 1/15/14

Security Shim Kit and Beacon™ (BT-) Option

80 Series

Exit Device Security Shim Kit

The SARGENT 541 Exit Device Security Shim Kit fills the gap between the exit device and the glass creating a flush surface. This kit can be easily trimmed and installed to accommodate most door styles without removing the SARGENT push rail exit device.

This not only responds to the ever increasing need for improved building security, but also maintains the facility's aesthetic design.



Beacon™ Exit Device

SARGENT introduces Beacon, a next generation exit device that creates a clearer pathway to safety during an emergency. As part of the ASSA ABLOY LiteGuide family of products, Beacon offers a combination of audible and visible alerts built into the exit device that makes it a unique and effective supplement to existing fire alarm systems. It is connected to the building's alarm system, and when activated, Beacon emits a pulse of light followed by an audible message declaring "exit located here". A laser light beamed from the exit device forms an arrow shape pointing directly to the exit device – helping occupants locate the exit.

- Supplements other directional signals and signage by attracting attention to the exit door with voice commands, flashing LEDs, and a laser that produces a conical beam of light.
- Accepts alarm signal from either dry contact relay and power supply) or from the notification appliance circuit (NAC) of a fire alarm control panel (FACP)
- Central control from fire alarm control panel (FACP) with silence and reset commands.
- Low current draw (30mA @ 24VDC in Standby Mode, 0.5 amps @ 24VDC nominal (0.9 amps max) in Alarm Mode) ensures long operation time on back-up batteries.
- Test mode and diagnostic trouble reporting for ease of installation and periodic functional checks
- Audible message in 3 languages (English, Spanish and French)
 - Customizable functionality from on-board adjustments (DIP switch settings)
 - Allows user to select which languages and indicators are activated
- Convenient wiring installation with ElectroLynx 8-pin & 4-pin connectors (Reference the McKINNEY Transfer Device Solutions Catalog for QC-12 Hinge and cable requirements)
- Easily installed within all 80 Series Exit Devices as either a retrofit kit or as a factory installed option
 - Order kit as 548-Kit (x rail length x finish). Example shown at right.
 - Order factory installed option as BT- (e.g. BT-8813F x ETL x 32D x 36" door)
 - Door Widths: Minimum Wide Stile Door 32" and Narrow Stile Door 32"
 - Compatibility options are detailed on p..56, not available with FM8700
 - Innovative design protected by U.S. Patent No. 7,528,700 & 7,839,265

Features & Benefits:

- Nylon and brushed aluminum construction can be easily cut and trimmed for custom fit
- Fits all doors up to 48" wide and stiles ranging from 4-1/2" to 6"
- Adjustment shims accommodate gaps from 3/8" to 3/4"
- 6 Lobe tamper proof security screws are included
- A T10 Torx driver required for assembly
- Fasteners are countersunk for flush finish
- 541 Kit contains a 48" shim, ready to be sized

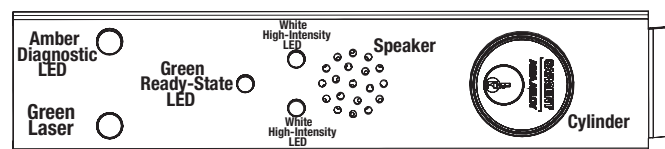
How to order:

- 541 Kit



Shown: BT-TL-80 Series Exit Device

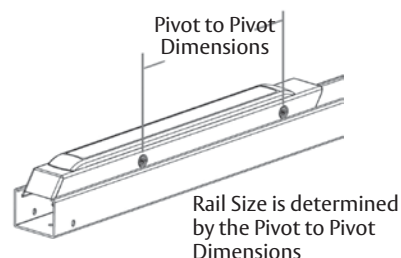
548 Beacon Insert Kit



To order a 548 Beacon Insert Kit: Specify the kit # x finish

Kit #	Device Stile	Pivot to Pivot	Rail Size
548-1	Wide	11-1/4"	F
548-2	Narrow	11-1/4"	F
548-3	Wide	20-1/2"	G
548-4	Narrow	20-1/2"	G
548-5	Wide	8-1/2"	E
548-6	Narrow	8-1/2"	E
548-7	Wide	14"	J
548-8	Narrow	14"	J

Rail Sizes



Pivot to Pivot Dimension

8-1/2" = "E" Rail
11-1/4" = "F" Rail
14" = "J" Rail
20-1/2" = "G" Rail

SARGuide™ Options (PL- & TL-) & Latch Bolt Monitoring Option (53-)

80 Series

SARGENT®
ASSA ABLOY

PL- Photoluminescent Option (non-electrified)

SARGuide® PL Exit Device – with photoluminescent coating – is a non electrical option which produces visible EXIT signage in darkness or low lit areas.

- Approved for use in New York City in accordance with RS 6-1 and RS 6-1A
- Recharges from ambient light
- No wiring or maintenance needed
- Available for all door widths
- Order as a PL- option

(e.g., PL-8713F x ETMA x 32D x 36" x 84")



LiteGuide™

As part of their promise to provide innovative solutions to their customers, ASSA ABLOY Group companies offer the LiteGuide™ system, a luminescent egress marking system. LiteGuide™ installation is facilitated by ASSA ABLOY's ElectroLynx® a universal quick-connect system that simplifies the electrification of the door.

LiteGuide™ is a trademark of ASSA ABLOY Inc.

TL- SARGuide® Electroluminescent Option

The SARGuide® illuminated exit device increases visibility of exit locations in dark or smoke filled passages, supplementing existing codes for egress lighting. SARGuide® utilizes state-of-the-art FLATLITE electroluminescent lighting from E-Lite Technologies Inc.

- UL Listed for use on panic (UL 305) and fire-rated (UL10C) exit devices
- Available with all 80 Series Devices, except FM8700 Devices
- Provided with ElectroLynx® 4 Pin Connector
- Requires 24VDC Power Supply
- U.S. Patent No. 7,204,050
- Minimum Door Widths:
 - Wide Stile Door 26"
 - Narrow Stile Door 26"

- See McKINNEY's Transfer Device Solutions Catalog for QC Hinge and cable requirements
- Order as a TL- option (e.g., TL-8813 x ETL x 32D x 36" Door)

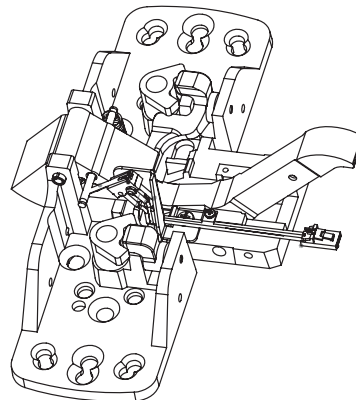


- See page 56 for compatible options

53- Latch Bolt Monitoring Option

The latch monitor provides tamper resistant latch monitoring, not just rail movement sensing. The monitor switch is activated when the rail is depressed or where there is movement of the latch.

- Switch type SPDT form "C" contacts
- 30 VDC@2 Amp. maximum rating
- All wires run through rail
- Field installation kits are not available
- Available for all door widths
- Adjustable switch bracket to fine tune sensitivity: set screw pivot bracket allows precise adjustment for more accurate notification of latchbolt movement (8500 and 8800 Series only).
- Available with all 80 Series Devices, except LP, LR, LS, PP-, PR- & SP8600, FM8700
- See page 56 for compatible options
- See McKINNEY's Transfer Device Solutions Catalog for QC Hinge and cable requirements
- Order as a 53- option (e.g., 53-8813F x ETJ x 32D x 36" Door)



Alarm (AL-) Option Request-to-Exit (55-) Option

80 Series

AL- Alarm Option

SARGENT's AL-80 Series Exit Devices are designed for areas requiring a stand-alone alarm on outward swinging doors. This device has an integrated alarm in the push rail to discourage the unauthorized use of emergency exit doors. The alarm inside the rail sounds immediately upon exit. The AL-80 Series is ideal for rear exterior doors, doors leading to a rooftop, or anywhere security is a concern.



Features

- Microprocessor based alarm board
- When armed, alarm sounds immediately upon rail depression
- All exit devices have tamper resistant latching (Guarded Latch)
- Battery powered – 9VDC
- 103 Db @ 8 ft pulsating horn
- Flashing red LED provides visible violation indication, reset by key only
- Low battery alert
- Field selectable continuous alarm option-3267 Power Supply and 546 Harness recommended
- Automatic re-arming option
- Supplied with a #41 (1-1/8") with standard off set cam
- UL Listed and cUL Listed
- UL Listed to Canadian Safety Standards
- Rail Monitoring & Guarded Latch are standard internal features
- Available with all 80 Devices, except LP, LR, LS8600, FM8700, WS & HC8800 Devices
- Minimum Door Widths:
 - Wide Stile Door 36"
 - Narrow Stile Door 32"
- See page 58 for compatible options
- See McKINNEY's Transfer Device Solutions Catalog for QC Hinge and cable requirements (if hard wired)
- Order as an AL- option (e.g., AL-8916F x ETJ x 32D x 36" Door)

545 Alarm Retrofit Kits

Alarm retrofit kits available for the following 80 Series devices - 8300, MD8600, WD8600, GL-8800, and 8900 only. (GL-8800: Rim device with guarded latch)

Kit #	Device Style	Pivot to Pivot	Rail Size
545-1	Wide	11-1/4"	F
545-2	Narrow	11-1/4"	F
		8-1/2"	E
545-3	Wide	20-1/2"	G
545-4	Narrow	20-1/2"	G
545-6	Narrow	14"	J
545-7	Wide	14"	J

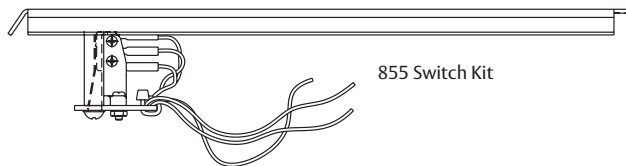
546 Wiring Harness

Harness allows for remote control of the alarmed exit device

- Remote Alarm Reset – reset from remote location
- External Inhibit – shunts alarm from remote location
- Remote Power – allows unit to be wired to a 9VDC power supply (3267)
- Remote Monitor – allows unit to be wired to remote console
- Order as:
 - 546 - Wiring Harness (For AL- option) - Mfg. prior to 7/1/04
 - 546-F - Wiring Harness for F-Size Rails - Mfg. after 7/1/04
 - 546-G - Wiring Harness for G-Size Rails - Mfg. after 7/1/04
 - 546-J - Wiring Harness for J-Size Rails - Mfg. after 7/1/04

55- Request-to-Exit Option

SARGENT Request-to-Exit Signal Switch Exit Devices provides push rail monitoring for a variety of applications; such as to sound an alarm, initialize a delayed egress system, or de-energize an electromagnetic lock.



855 Switch Kit

- Switch type SPDT form "C" contacts
- 30 VDC@2 Amp. maximum rating
 - All wires run through rail
 - Available with all 80 & P800 Devices, except for FM8700
 - See page 58 for compatible options
 - Available for all door widths
 - See McKINNEY's Transfer Device Solutions Catalog for QC Hinge and cable requirements
 - Order as a 55- option (e.g., 55-8913F x ETMA x 32D x 36")

855 Kit #	Device Stile	Rail Size Pivot to Pivot	Rail Size	
855-1	Wide	11-1/4"	F	
855-2	Narrow	11-1/4"	F	
		8-1/2"	E	
855-3	Wide	20-1/2"	G	
		*8895	8-1/2"	E
855-4	Narrow	20-1/2"	G	
		*8895	11-1/4"	F
855-5	Wide	8-1/2"	E	
855-6	Narrow	14"	J	
855-7	Wide	14"	J	
855-8		*8895	14"	J
		*8895	20-1/2"	G

*8895 is an active dummy rail (See page 66)

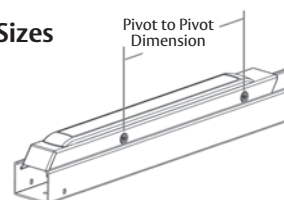
Note: The 855 Kits can not be used with a pre-existing 56- Rail.

Note: If rail size is not standard, the 855 insert will have to be cut during installation

Device Stile



Rail Sizes



Rail Size is determined by the Pivot to Pivot Dimensions

Pivot to Pivot Dimension

8-1/2" = "E" Rail
11-1/4" = "F" Rail
14" = "J" Rail
20-1/2" = "G" Rail

Electric Latch Retraction Option (56-)

80 Series

SARGENT's Electric Latch Retraction exit device is the perfect choice for high traffic egress doors that require access control. This non-handed exit device rail is durable and easy to install. It utilizes a latch retraction motor rather than a solenoid, ensuring quiet operation ideal for locations such as conference rooms, theaters and libraries. Once retracted, the door functions in a push/pull manner.

The 56- exit device can be dogged for momentary ingress and egress and is commonly used in conjunction with an automatic door operator. The device can be dogged continuously on fire-rated devices that are tied into the building's fire detection system.



56- Electric Latch Retraction Features

- 5 year warranty
- U.S. Patent No. 7,484,777; Additional patent(s) pending
- Field serviceable -modular design
- Motor driven latch retraction for smooth, precise operation
- Amount of rail retraction is automatically controlled by the 56- circuitry; System actively monitors its position and adjusts itself
- Digital retraction timer (0-20 seconds; factory setting is 5 seconds)
- Non-contact Request-to-Exit (55-) switch available
- Retrofit kits available - see next page
- Standard electric hinge - no special power transfer required
- Can be used for continuous and intermittent use
- UL Listed for Class II Circuitry
- Power Requirements: 24VDC regulated/filtered power supply (3500 Series)
- Current draw: 600mA during retraction & 250mA maintained in dogged position
- Available for all 80 Series exit devices (except FM8700)
- See page 58 for compatible options
- Minimum Door Widths:
 - Wide Stile Door 28"
 - Narrow Stile Door 28"
- See MCKINNEY's Transfer Device Solutions Catalog for QC Hinge and cable requirements
- Order as a 56- option (e.g., 56-HK-8913F x ETMF x 32D x 36")

Note: HK- and 16- are not available for Fire Rated Doors

Note: The 56- Option is not supplied with Manual Dogging (Hex Key or Cylinder Dogging) unless specified

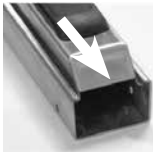

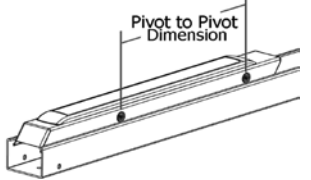
Optional Accessories

- 3500 Series Power Supply
- 4370 Keypad
- 4291/4292 Keypad
- 3287 Door Status Switch
- 881 Monitor Strike
- 4341 Push Button Switch (momentary)



Electric Latch Retraction Retrofit Kits

80 Series

M56- Motor Retrofit Kits				
<p>The 56- Motor Retrofit Kits can only be added to 80 Series Exit Devices* manufactured after 2006 & P Series Exit Device</p>		<p>Upgradeable Design</p>  <p>Exit Devices that are upgradeable have straight push rail nose & tail; manufactured starting in 2007</p>	<p>Upgrade using R56 Kits only</p>  <p>Exit Devices with a stepped Nose & Tail, produced prior to 2007, require the R56 Kits; the Push must be replaced</p>	<p>Rail Sizes</p>  <p>Rail Size is determined by the Pivot to Pivot Dimensions</p>
56- Push Retrofit Kit Number	Type of Device to be Upgraded	Kits Description: 56- Motor Kits		
M56A x Rail Size--	80 Series & P Series Exit Device*	Retrofits standard mechanical rail. Contains ribbon wiring.		8-1/2" = "E" Rail**
M56B x Rail Size	53-80 Series Exit Devices*	Retrofits 53- Exit Devices. Does not include 53- Signal Switch. Contains wiring to reconnect to the pre-existing 53- Chassis Signal Switch.		11-1/4" = "F" Rail**
				14" = "J" Rail
				20-1/2" = "G" Rail

* Except FM8700 Series Exit Devices and Exit Devices with a stepped Nose & Tail, produced prior to 2007

** Motor Retrofit Kits are identical for E and F size Rail Assemblies

- 55-M56 Kit: Request to Exit Signal Switch is integrated into the connecting arm within the rail
- 56- Motor Retrofit Kits can be used with 855 Request to Exit Kit or 816 Cylinder Dogging Kits
- Kits require a minimum insert length of 5" for 56- & 7" for 16-56- for the electronics
- Rail size is needed when ordering to supply the correct length wires

Option Available: 55- Non-Contact Request to Exit switch

How to Order: M56A (Kit #) x F (Rail Size)

Kit includes: Motor Bracket Assy, Motor Controller & Fasteners

R56- Retrofit Kits with Push Rail				
<p>The 56- Push Retrofit Kits can only be added to 80 Series* Exit Device manufactured after 1995</p>		<p>Upgradeable Design</p>  <p>Upgradeable Exit Devices do not have Pivots in the Mtg Rails; manufactured starting in 1995</p>	<p>Mounting Rail Pivots</p>  <p>Devices with Mounting Rail Pivot Pins can Not be upgraded</p>	<p>Rail Sizes</p>  <p>Rail Size is determined by the Pivot to Pivot Dimensions</p>
56- Push Retrofit Kit Number	Type of Device to be Upgraded	Kit Descriptions: 56- Push Retrofit Kits		
R56A x Rail Size & Finish	80 Series Exit Device*	Retrofits standard mechanical rail. Contains ribbon wiring.		8-1/2" = "E" Rail
R56B x Rail Size & Finish	53-80 Series Exit Devices*	Retrofits 53- Exit Devices. Does not include 53- Signal Switch. Contains wiring to reconnect to the pre-existing 53- Chassis Signal Switch.		11-1/4" = "F" Rail
				14" = "J" Rail
				20-1/2" = "G" Rail

* Except FM8700 Series Exit Devices and 80 Series Exit Devices produced prior to 1995

- Adding a R56 Kit to a 55- Rail, the 55- Switch will be eliminated.
- For 55-56- Rail Assemblies, use either a 55-R56 Kit or a R56 Kit with a 855 Kit
- R56A & R56B Kits can be used with 855 Request to Exit Kit or 816 Cylinder Dogging Kits
- Kits require a minimum insert length of 5" for 56- & 7" for 16-56- for the electronics

Options:

19- Push Rail less the Black Lexan Touch Pad

55- Non-Contact Request to Exit switch

HK- Hex Key Dogging to allow for manual dogging of the device

SG- is MicroShield an antimicrobial clear powder coat

How to Order: R56A (Kit #) x F (Rail Size) x 32D (Finish);

Kit includes: Motor Bracket & Push Rail Assy, Motor Controller & Fasteners

Delayed Egress Option (57-) & Electro-Magnets

80 Series

SARGENT®

ASSA ABLOY

Commonly used in schools, nursing homes, shopping centers and libraries, delayed egress exit devices provide a means of monitoring egress to prevent unauthorized exit. When the exit device push pad is depressed, the 57-80 Series delayed egress exit device sounds an alarm from the rail to alert personnel that someone is attempting egress. The exit device stays secure, via electromagnetic lock, for fifteen seconds, allowing time for personnel to respond.

Momentary release for egress (adjustable for 5, 10, 20 or 40 seconds) is provided by a cylinder on the rail or from a remote location. When the fire alarm system is activated (if connected), the exit device disarms and allows immediate egress.

Note: As of February 2014, the 57- option has a new design. The updated 57- functionalities utilize new sensor technologies and is only available for order as a complete device. Component upgrades are not offered with prior generation products because wire harnesses are not backwards compatible. When replacing an existing device with an updated one, there is no change to door templating or mounting.



Features

Compliance

- Conforms to NFPA 101 Special Locking Arrangements
- Available in UL Listed Panic and Fire Rated (12- option) devices
- UL294 Listed for Special Locking Arrangements
- When ordered with BC- option, complies with BOCA code relating to delayed egress. Requires door status switch (3287) ordered separately

Operation

- Depressing the push rail for one second or longer initiates an alarm
- LED visual notification system for easy identification of armed device; LED lights are field-selectable as red or green
- Momentary or maintained egress with key OR from a remote location
- Alarm disabled by key in the rail OR by remote reset
- Alarm sounds for fifteen seconds during unauthorized egress; after fifteen seconds external electromagnetic lock releases. 30 second delay available with written permission of Authority having Jurisdiction
- Field adjustable nuisance delay (0 or 1 second)
- Device requires electromagnet (ordered separately)
- External inhibit features with authorized egress, card reader access and scheduled delayed egress from access control panel

Specifications

- Standard size 41 mortise cylinder in rail
- Field adjustable momentary time delay preset for five seconds at factory
- 80dB horn enclosed in rail assembly
- Uses standard electric hinge - no special power transfer required
- Guarded & monitored latch and rail standard
- Power Requirements: 24VDC regulated/ filtered power supply
- Key override capabilities
- Current draw: .2 amp. nominal, .5 amp (max) with optional features (.275 amp maximum electromagnetic load)
- Minimum Door Widths:
 - Wide Stile Door 32"
 - Narrow Stile Door 32"
- Shipped with decal "Emergency Exit Only. Push until alarm sounds. Door can be opened in 15 seconds"
- See McKINNEY's Transfer Device Solutions Catalog for QC Hinge and cable requirements
- Available for all 80 Series devices, except LP, LR, LS8600 & FM8700 Devices
- Order as a 57- option (e.g., 57-8813F x ETJ x 32D x 36" Door)
- See page 58 for compatible options

Installation & Maintenance

- Diagnostic LEDs on PC board for easy troubleshooting

Accessories for System Design

- 54-700 ET Control
- 881 Monitor Strike
- 1584 Electromagnet
- 3287 Door Status Switch
- 4371 LT Keyswitch
- 4291 or 4292 Keypad
- 3520, 3540, 3550, or 3570 Power Supply

Delayed Egress Option (57-) & Electro-Magnets

80 Series

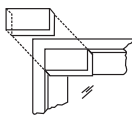
1580 Series Electromagnetic Locks: For 57- Exit Devices and Other Applications

- Hold door closed with 1200 lbs. of direct holding force
- Used for push or pull applications
- Stainless steel case
- Self aligning armature
- Hardened machine screws for mounting
- 10' integral cable for easy wiring
- Internal electronics
- .250 amp @ 12VDC, .125 amp @ 24VDC
- For use on exterior and interior openings
- Single and double door applications
- Accessories available for various frame conditions
- UL Listed, Auxiliary Lock and Releasing Device
- UL Recognized for Special Locking Arrangements
- Accepted for City of New York, Department of Buildings
- Temperature range: -40°F to +140°F (-40°C to +60°C)
- Fail safe operation
- Finishes: 28, 32D, EB, ED

1584 - Push Application - Single Door



- Electromagnet for Push Side Applications on single doors
 - 1584 – Standard Finish 32D
 - Specify: H Suffix is for Metal Cover
 - Specify Finish: 28, EB or ED
- Order as: 1584 or 1584H x Finish



1585 - Push Application - Double Door



- Two electromagnetic locks with sensor
 - 1585 – Standard Finish 32D
 - Specify: J Suffix is for Dress Cover
 - Specify Finish: 28, EB or ED
- Order as: 1585 or 1585J x Finish

1586 - Pull Application - Single Door



- Electromagnetic lock mounted on inswinging side of the door to protect it from physical assault
 - Supplied "Z" bracket & cover
 - Specify Finish: 28, 32D, EB and ED
 - 1586 - Electromagnetic for Pull Application on Single Door
 - 1587 - Electromagnetic for Pull Application on Double Door includes sensor
- Order as: 1586 x Finish or 1587 x Finish

Accessories for 1580 Series Electromagnets

Header Extension Bracket for 1508 Series Electromagnets



- Dimensions: 3" x 3" x 8"
 - Used to extend a narrow header
 - Finishes Available: 28 or ED
- Order as: 15-2107 x Finish

Concrete/Wood Frame Bracket for 1580 Series Electromagnets



- Thickness: 1/2"
 - Allows mounting on concrete filled or wood door frames
 - Includes Fasteners
 - Available in 28 or ED finishes
- Order as: 15-2113 x Finish

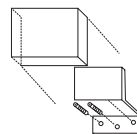
Stop Filler Plates for 1508 Series Electromagnets



- Dimensions: 8" x 1-1/4"
 - Extends the stop when only part of the magnet body is on the stop
 - Standard Finish: 28 finishes
 - Various thicknesses available
- Order as:
15-2109 for 1/4" thickness
15-2110 for 3/8" thickness
15-2111 for 1/2" thickness
15-2112 for 5/8" thickness

"Z" Bracket for 1580 Series Electromagnet 15-2114

- Allows mounting of electromagnetic lock on inswinging doors
 - "Z" Bracket includes cover & fasteners
 - Finishes Available ED, 28 & 32D
- Order as: 15-2114 x Finish



Full Length Housing for 1580 Series Electromagnets

- Available for double & single doors without vertical rod exit devices or mullion
- Standard Finish: 32D
- Specify door opening width
- 15-2116 - Housing Double Horizontal (96" Std)
- 15-2117 - Housing Double Vertical (96" Std)
- 15-2118 - Housing Single Horizontal LHR (48" Std)
- 15-2119 - Housing Single Horizontal RHR (48" Std)



Dress Covers

- Provides finished look to electromagnetic locks
 - Available in EN, EB, and 28 finishes
- Order as:
• 15-0078 for single electromagnetic lock
• 15-0079 for double electromagnetic lock

Electric Dogging Option (58-)

80 Series

58- Electric Dogging

Libraries, auditoriums, theaters, courtrooms, churches and schools benefit from the convenience of electric dogging (unlocking). When the 58-80 Series exit device is energized and the push rail is depressed, it will continuously hold the push rail down and the latch(es) will be held retracted. When the device is de-energized or power is interrupted, the latch(es) will extend. This feature is ideal for areas that require the silent operation of exit device hardware.

58- Features

- Provides quiet ingress and egress when dogged
- Standard electric hinge - no special power transfer required
- Manual hex key dogging provided on non-fire rated devices
- UL Listed for Panic and Fire (12-)
- Holding force 70 lbs. min.
- Power Requirements: 24VDC regulated/filtered power supply (3500 Series)
- Current draw: .2 amp
- Available for all 80 Series Devices, except FM8700 Devices
- See page 58 for compatible options

- Available for all door widths
- See McKINNEY's Transfer Device Solutions Catalog for QC Hinge and cable requirements
- Order as a 58- option (e.g., 58-8813F x ETJ x 32D x 36" Door)

Optional Accessories

- 4370 Key Switch
- 881 Monitor Strike
- 3287 Door Status Switch
- 3520, 3540, 3550, or 3570 Power Supply

ElectroGuard Delayed Egress Option (59-)

80 Series

59- Self Contained Delayed Egress Device

Commonly used in schools, nursing homes, shopping centers and libraries, delayed egress exit devices provide a means of monitoring egress to prevent unauthorized exit. When the exit device push pad is depressed, the 59-80 Series delayed egress exit device sounds an alarm from the rail to alert personnel that someone is attempting egress. The exit device stays secure for fifteen seconds, allowing time for personnel to respond.

Momentary release for egress (adjustable for 5, 10, 20 or 40 seconds) is provided by a cylinder on the rail or from a remote location. When the fire alarm system is activated (if connected), the exit device disarms and allows immediate egress.

Note: As of February 2014, the 59- option has a new design. The updated 59- functionalities utilize new sensor technologies and is only available for order as a complete device. Component upgrades are not offered with prior generation products because wire harnesses are not backwards compatible. When replacing an existing device with an updated one, there is no change to door templating or mounting.

59- Features

Compliance

- Conforms to NFPA 101 Special Locking Arrangements
- Available in UL Listed Panic and Fire Rated (12- option) devices
- UL294 Listed for Special Locking Arrangements
- When ordered with BC- option, complies with BOCA code relating to delayed egress. Requires door status switch (3287) ordered separately

Operation

- Depressing the push rail for one second or longer initiates an alarm
- LED visual notification system for easy identification of armed device; LED lights are field-selectable as red or green
- Momentary or maintained egress with key OR from a remote location
- Alarm disabled by key in the rail OR by remote reset
- Alarm sounds for fifteen seconds during unauthorized egress; after fifteen seconds lock releases. 30 second delay available with written permission of Authority having Jurisdiction
- Field adjustable nuisance delay (0 or 1 second)
- External inhibit features with authorized egress, card reader access and scheduled delayed egress from access control panel

Specifications

- Standard size 41 mortise cylinder in rail
- Field adjustable momentary time delay preset for five seconds at factory
- 80dB horn enclosed in rail assembly
- Uses standard electric hinge - no special power transfer required
- Guarded & monitored latch and rail standard
- Power Requirements: 24VDC regulated/filtered power supply
- Key override capabilities
- Current draw: .2 amp. nominal, .5 amp (max) with optional features
- Minimum Door Widths:
 - Wide Stile Door 32"
 - Narrow Stile Door 32"
- Ability to gang up to 12 doors
- Shipped with decal "Emergency Exit Only. Push until alarm sounds. Door can be opened in 15 seconds"
- See MCKINNEY's Transfer Device Solutions Catalog for QC Hinge and cable requirements
- Available for all 80 Series devices, except LP, LR, LS, SP8600, & FM, ND8700 & and MS, HC800 Devices
- Order as a 59- option (e.g., 59-8813F x ETJ x 32D x 36" Door)
- See page 58 for compatible options

Installation & Maintenance

- Diagnostic LEDs on PC board for easy troubleshooting



Electrified & Monitored ET Trims & Power Supplies

80 Series

SARGENT®

ASSA ABLOY

Electro-Mechanical ET Lever Handle Controls

Solenoid controlled ET trim provides remote means of locking and unlocking of the lever. This trim is available with 12VDC or 24VDC solenoid. Rim and Mortise Exit Devices are available with cylinder override. Cylinder override can be added to the other series with the use of a 100 or 300 Series Auxiliary Control, except NB8700 devices.

73 & 74 Function ET Trim



- Available for all 80 Series Exit Devices
- Requires a McKINNEY QC8 Hinge for Solenoid ET Trims and/or 54- option
- Voltage: 12VDC or 24VDC Regulated (voltage must be specified)
- Current: .25A at 24VDC or .5A at 12VDC
- Operating Temp.: Max. 151°F (66°C) Min -31°F (-35°C).

- Full wave rectification installed inside the ET Control
- UL and cUL listed for use on fire doors
- Field reversible
- Solenoid Trim is specified by the product function
- 73 Function - Fail Safe - Lever is unlocked when power is off - no cylinder override
- 74 Function - Fail Secure - Lever is locked when power is off - no cylinder override
- Cylinder override available with the use of 100 or 300 Series Auxiliary Control, except NB8700 devices

Note: Repeated operation at voltage exceeding +/- 10% is not recommended.

75 & 76 Function ET Trim



- Available for Rim and Mortise Lock Exit Devices
- Requires a McKINNEY QC8 Hinge for Solenoid ET Trims and/or 54- option
- Voltage: 12VDC or 24VDC Regulated (voltage must be specified)
- Current: .25A at 24VDC or .5A at 12VDC.
- Operating Temp.: Max. 151°F (66°C), Min -31°F (-35°C)

- Full wave rectification installed inside the ET Control
- UL and cUL listed for use on fire doors
- Field reversible
- Solenoid Trim is specified by the product function
- 75 Function - Fail Safe - Lever is unlocked when power is off with cylinder override
- 76 Function - Fail Secure - Lever is locked when power is off with cylinder override
- Key retracts latch mechanically

Note: Repeated operation at voltage exceeding +/- 10% is not recommended

54- Option- Lever Monitoring



- Available with all 80 Series exit devices x ET trim with these functions 06, 13, 15, 16, 73, 74, 75 & 76
- Requires a McKINNEY QC8 Hinge for 54- and/or Solenoid ET Trims
- Switch type SPDT form "C" contacts
- 30VDC @ 2 Amp. maximum rating

- Monitors lever rotation, can be incorporated into alarm systems or in conjunction with an electromagnet
- Must specify hand, non-reversible
- Not available with Freewheeling Trim

Securitron PowerJump™ ICPT

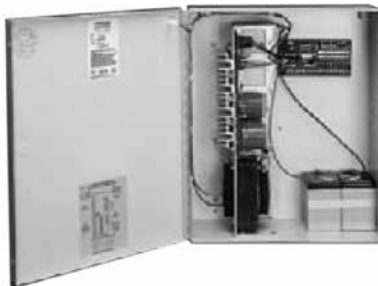


The Securitron PowerJump ICPT Inductive Coupling Power Transfer delivers power contactlessly and invisibly between the frame and door to power electrified hardware on the door. The PowerJump can be installed at the latch side or hinge side of the door and transfers up to 6 watts of power without pins or wires across the door gap, eliminating points of vulnerability and wear ... and no need to

core drill the door. The PowerJump is field selectable for 12VDC or 24VDC systems and is ideal for fail secure applications. The unit can hold electrified latches open in continuous duty or can momentarily energize the lockset for latch retraction. Additional information regarding this - product can be found at www.securitron.com

12VDC & 24VDC Power Supplies:

- UL Class 2 Listed
- Four 12V models and four 24V models available
- Integral battery charging capability keeps sealed lead acid gel/cell at full charge in case of line voltage failure (737-battery sold separately)
- Fused line voltage input with one, four, or eight DC outputs (depending on model)
- Each circuit can be individually turned on and off via a slide switch; the power status of each is shown by an LED.
- In the event of a DC short the problem is confined to the zone of difficulty
- Fire alarm interface standard



SARGENT MODEL No.	DESCRIPTION
3521	12V - 1 AMP POWER SUPPLY
3541	12V - 3 AMP POWER SUPPLY
3551	12V - 4.5 AMP POWER SUPPLY
3571	12V - 6 AMP POWER SUPPLY
737	12V - 5 AMP HOUR BACKUP BATTERY

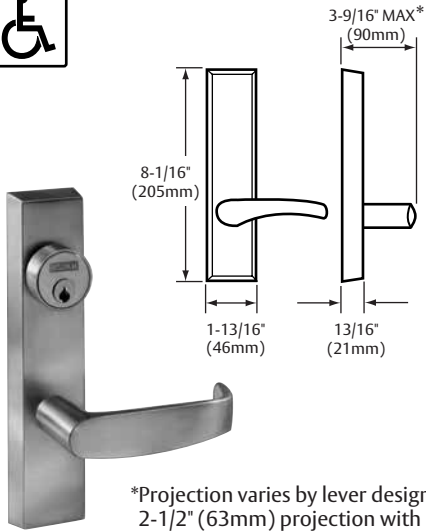
SARGENT MODEL No.	DESCRIPTION
3520	24V - 1 AMP POWER SUPPLY
3540	24V - 2 AMP POWER SUPPLY
3550	24V - 4 AMP POWER SUPPLY
3570	24V - 6 AMP POWER SUPPLY
738	24V - 5 AMP HOUR BACKUP BATTERY

Copyright © 1998-2014, Sargent Manufacturing Company, an ASSA ABLOY Group company. All rights reserved. Reproduction in whole or in part without the express written permission of Sargent Manufacturing Company is prohibited.

906413M 1/15/14

ET Trim, Levers and Pulls
80 Series

ET Lever Controls

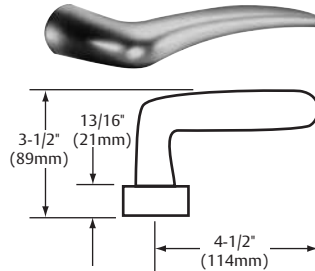


*Projection varies by lever design.
2-1/2" (63mm) projection with L Lever

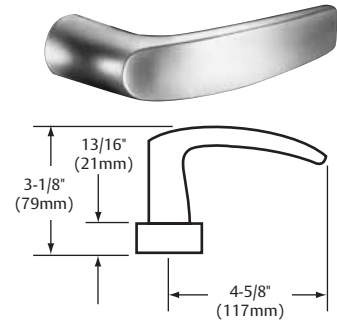
Note: ET suffixes required when ordering ET trim without an exit device, see page 72 for complete details

A Lever

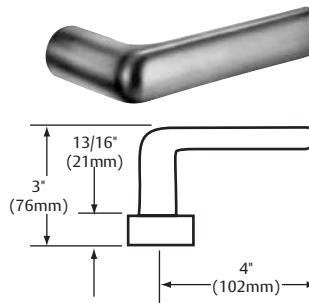
- Handed



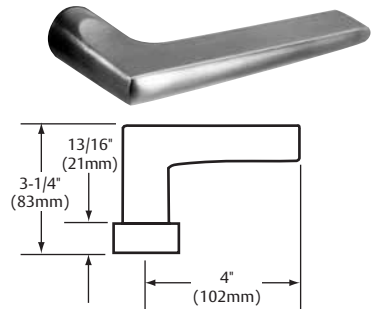
B Lever



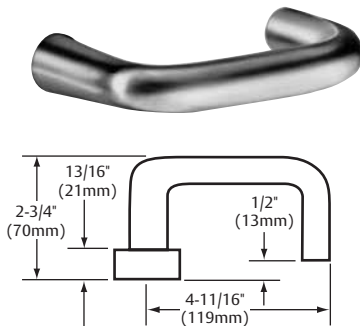
E Lever



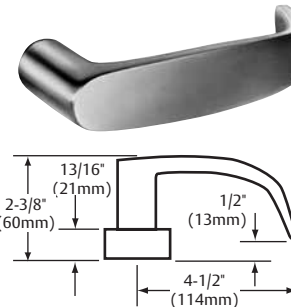
F Lever



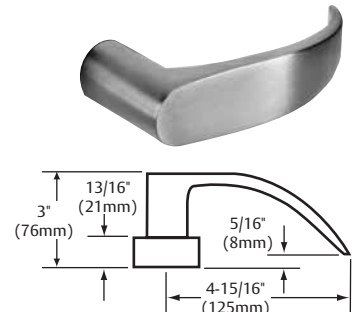
J Lever*



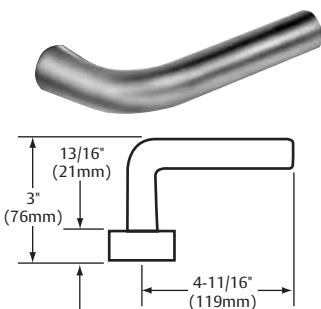
L Lever*



P Lever*

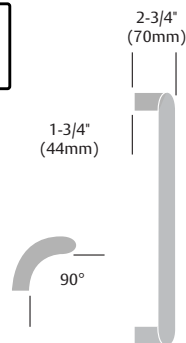


W Lever



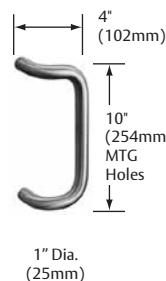
* Lever returns within 1/2" (13mm) of door face

Pulls



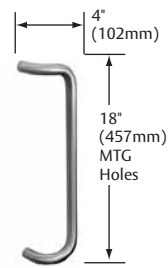
SIDE PROFILE

862



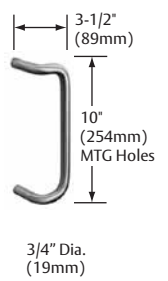
1" Dia. (25mm)

863



1" Dia. (25mm)

864



3/4" Dia. (19mm)

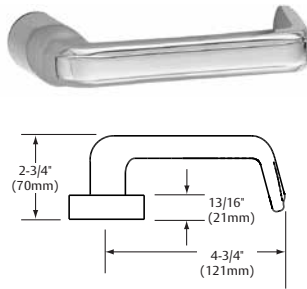
Coastal Series Levers & Thumb Piece Pulls

80 Series

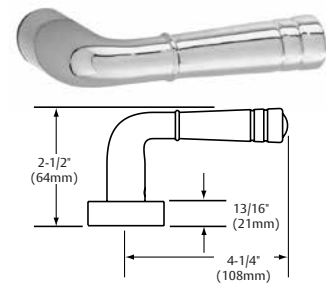
SARGENT®
ASSA ABLOY

- Coastal Series™ levers can be used with all SARGENT 80 Series exit devices with ET trim
- All levers – solid cast brass
- All standard functions available
- Finishes available: 03, 04, 09, 10, 10B, 10BE, 10BL, 14, 15, 20D, 26, 26D
- * Lever returns within 1/2" (13mm) of door face

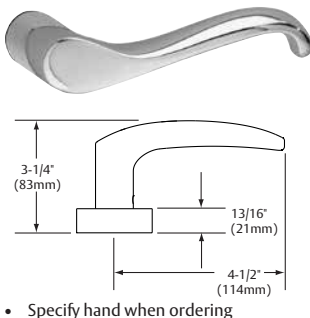
C* - Coronado™



R - Rockport™

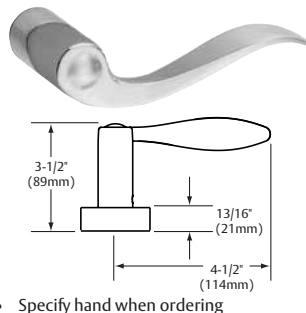


Y - Yarmouth™



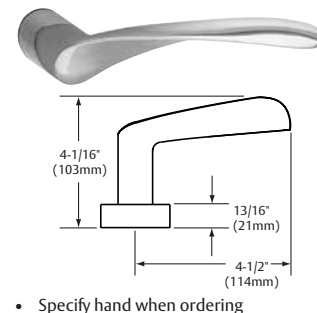
- Specify hand when ordering

G - Gulfport™



- Specify hand when ordering

S - Sanibel™

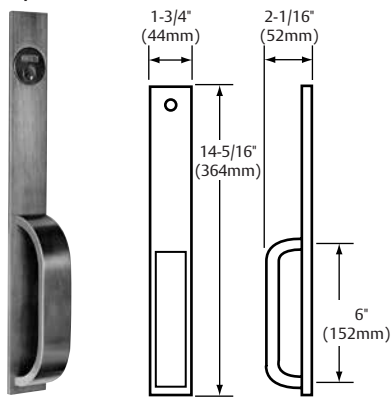


- Specify hand when ordering

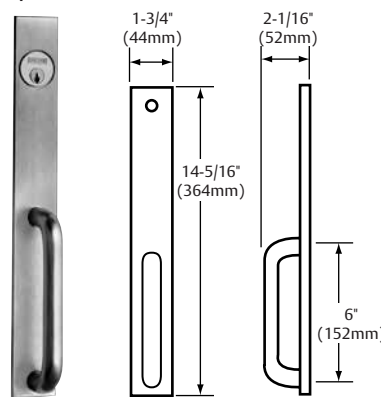
Pulls and Thumb Pieces Trims

These trims are through-bolted, creating perfect alignment of center case, thumb piece and cylinder, as required. Through-bolts pass through the chassis of the devices and are bolted directly to the trim. FSL, FSW, MSL and PSB pulls are used with 12- 8804 and 8804 only, they are identical to FLL, FLW, MAL and PTB pulls except the cylinder hole is located 3/8" (9mm) lower. The 802-PTB plate is a flat plate which can be used to cover existing door preps and is as ANSI/BHMA function 01.

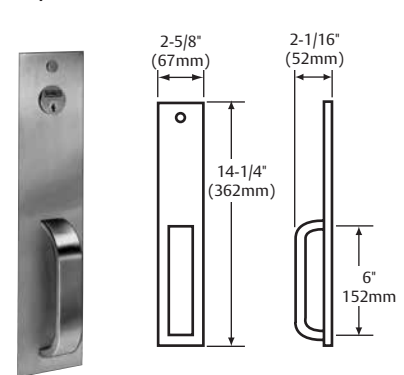
FLL/FSL



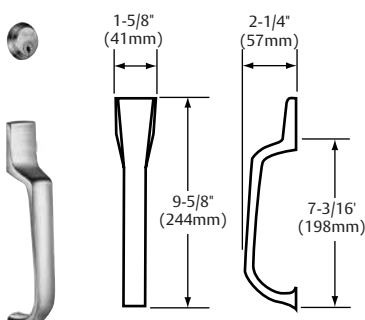
FLW/FSW



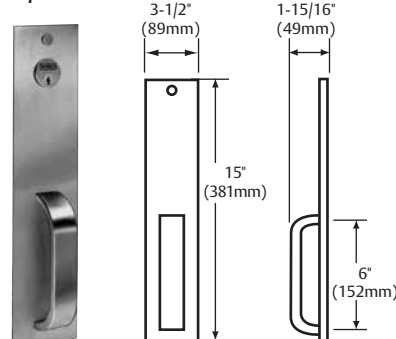
MAL/MSL



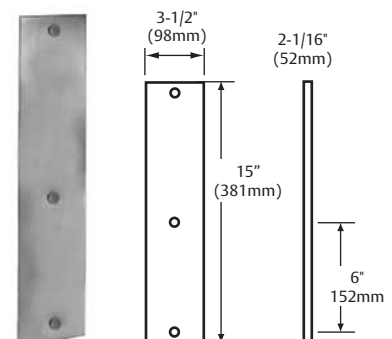
STS



PTB/PSB



802-PTB



Copyright © 1998-2014, Sargent Manufacturing Company, an ASSA ABLOY Group company. All rights reserved. Reproduction in whole or in part without the express written permission of Sargent Manufacturing Company is prohibited.

906413M 1/15/14

70

1-800-727-5477 • www.sargentlock.com

ASSA ABLOY, the global leader in door opening solutions

Studio Collection Levers

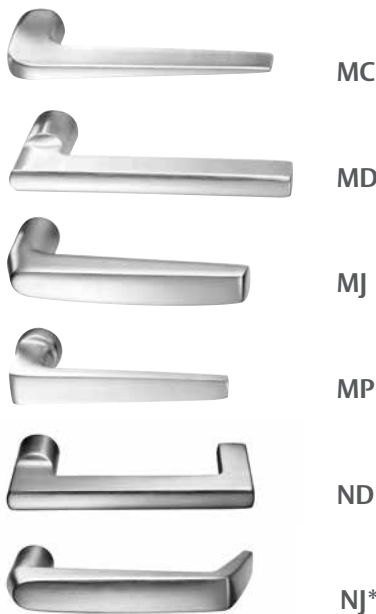
80 Series

Studio collection

Features

- Studio Collection levers can be used with all SARGENT 80 Series exit devices with ET trim
- All levers - solid brass or stainless steel
- Available with all lever functions
- Lever finishes available: 03, 04, 09, 10, 10B, 10BE, 10BL, 14, 15, 20D, 26, 26D, 32 & 32D
- Always specify hand

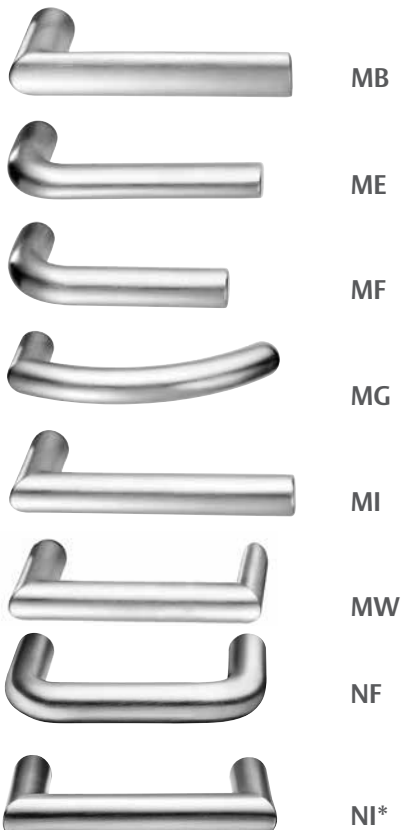
Centro Series



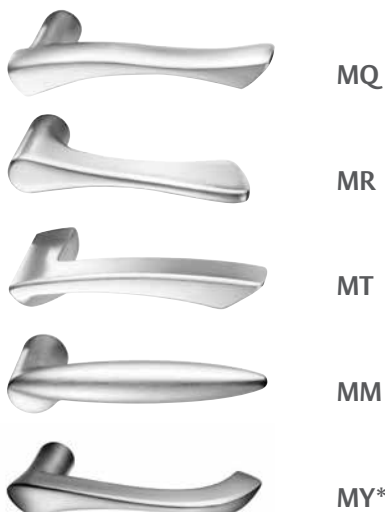
Rialto Series



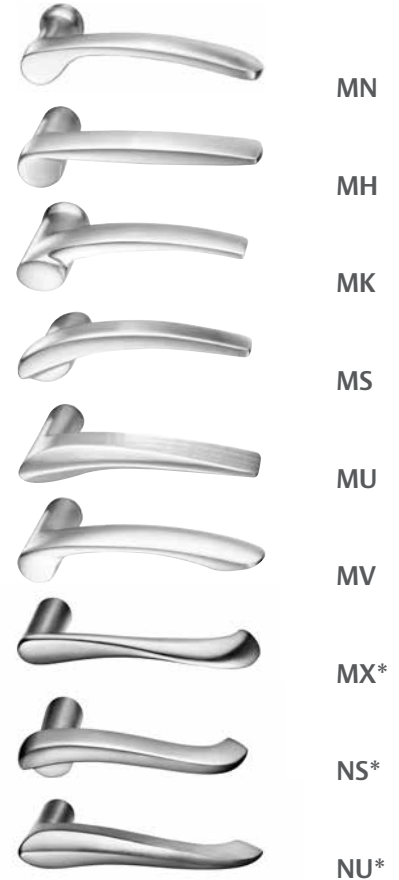
Aventura Series



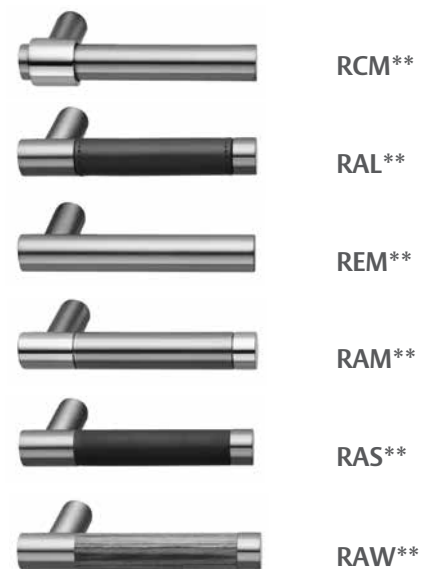
Notting Hill Series



Odéon Series



Gramercy Series



* Lever returns within 1/2" (13mm) of door face

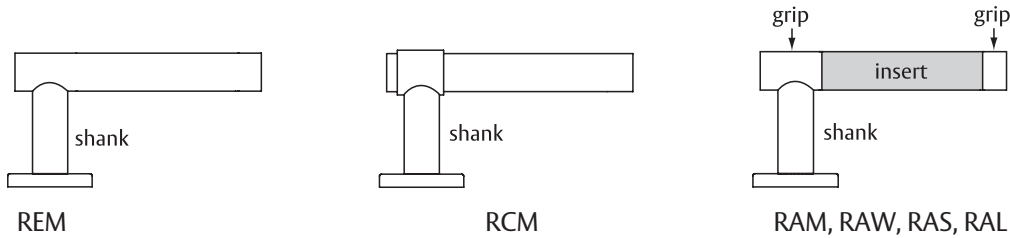
** The Gramercy Levers are customized. Refer to page 65 on how to order

Ordering Gramercy Series Levers

80 Series



Elements of Gramercy Series Levers



Lever	Part Number	Shank Finish*	Insert	Grip Finish
Plain†	REM	Polish Stainless (629) or Satin Stainless (630)	n/a	Polish Stainless (629) or Satin Stainless (630)
With Raised Band	RCM	Polished Stainless (629)	n/a	Polish Stainless (629) or Satin Stainless (630)
With Metallic Insert	RAM	Polished Stainless (629)	Satin Stainless (630)	Polished Stainless (629)
With Wood Insert†	RAW	Polished Stainless (629) or Satin Stainless (630)	Birch (BH)	Polish Stainless (629) or Satin Stainless (630)
With Santoprene Insert†	RAS	Polished Stainless (629) or Satin Stainless (630)	Black (BK)	Polish Stainless (629) or Satin Stainless (630)
With Leather Insert†	RAL	Polished Stainless (629) or Satin Stainless (630)	Black (BK) or Brown (BN)	Polish Stainless (629) or Satin Stainless (630)

* Rose and escutcheon finish is designated by shank finish selected

† Grip finish must match shank finish

To order Gramercy Series levers with 80 Series products, see the example below. When specifying finish, use the last two digits of the BHMA standard finish code, i.e. use "29" for polished stainless, BHMA finish 629.

Sample order on how to specify an Exit Device with Gramercy levers

							Gramercy Lever information								
Options	Series	Function	Rail Size	Voltage	Trim	Lever	Shank Finish*	Insert Finish	Grip Finish	Hand	Inside Finish	Door Width	Opening Height	AFF	
Select from 80 Series catalog				Specified for electrical functions	Select from 80 Series catalog	Leather insert	Polished or satin stainless	Black or brown	Polished or satin stainless	RHR, RH, LHR, or LH	Select from 80 Series catalog		For vertical rod devices	Above Finished Floor	
10-	87	73	F	12VDC	F	RAL	29	BN	29	RH	32D	36"	84"	41"	

* Escutcheon finish is designated by shank finish selected

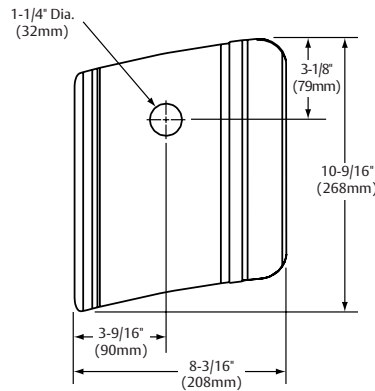
Copyright © 1998-2014, Sargent Manufacturing Company, an ASSA ABLOY Group company. All rights reserved. Reproduction in whole or in part without the express written permission of Sargent Manufacturing Company is prohibited.

90641M 1/15/14

Anti-Vandal Trim, 988 Surface Bolt, ET Plates & Dummy Rails

80 Series

Anti-Vandal Trim



Designed for exterior doors that require extra security or resistance to vandalism, anti-vandal trim (AVT) plates have an extended lip on the active side of the door to provide extra protection for the latchbolt. A matte plastic coated grip provides a comfortable pull over wide temperature ranges. Fully through-bolted with no exposed exterior fasteners for a cleaner look and increased security.

Features

- Heavy duty 12 gauge stainless steel in 32D finish
- Through-bolted for added strength
- Handed – Specify RHR or LHR
- ADA Compliant
- #34 Rim Cylinder supplied for 8804
- #41 Mortise Cylinder supplied for 8904
- Night Latch and Dummy Functions available
- Available for MD & WD8610, 8710, 8804, 8810, 8904 & 8910 Devices
- Options not available with AV trim: 1-, 31, 49, 50, 68, 69, 76, 77, 85, 86, 87, DX & SG
- Without protective lip for inactive door
- AVT Retrofit Kit works easily with existing product with minor prep modification
- Order by part number (826, 824, 821 or 827) as determined by product & function below

Part Number	Description	Application
826	Cylinder, but No Protective Lip	8804 Mfg after 02-2001
824	Protective Lip & Cylinder	8904; also 8804 Mfg before 02-2001
821	No Protective Lip & No Cylinder	MD & WD8610, 8710 and 8810
827	Protective Lip & No Cylinder	8910

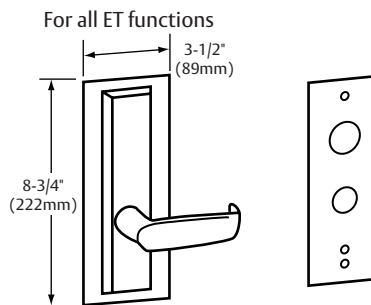
988 Surface Bolt Kit



- Designed for severe windload (Hurricane Code) environments where surface bolts are required (e.g., on inactive doors)
- Tested to Dade County protocols
- Listed to UL 10C for use on fire rated door assemblies. Refer to codes for locations where surface bolts are allowed on fire doors
- All steel construction for maximum strength and heavy duty use
 - Full 3/4" (19mm) square, 12" (305mm) bolt with 1-1/4" (32mm) throw
 - Bright zinc-plated finish
 - Jimmy-resistant design locks bolt automatically when thrown; released by pressing knob toward door while retracting
 - Bolt can be locked in retracted or thrown position
- Angle (L shaped) and mortise strike with mounting hardware supplied standard
- Order as a: 988 Surface Bolt

821 for use on all inactive leaves

ET Cover Plate



This plate is designed to be mounted behind the ET control to cover a stock hollow metal cutout

- Order as a: 68-0657 x finish

809 Touchpad Kit

- Lexan touchpad replacement kit for all 80 Series push rails
- Direct replacement – uses existing mounting holes
- Order as a: 809 Touch Pad

8893 Dummy Rail



A decorative push bar for vestibule door applications where continuity of design is desired, but no exit device is required. Outside dummy trim available on order.

- Order as a: 8893 x finish; Specify door width and door stile width when ordering.

8895 Active Dummy Rail



Push rail operates on this rail to simulate active doors. Can be used with dummy trim.

- Order as a: 8885 x Finish; specify door width and door stile width when ordering.
- Available with Request-to-Exit (REX) signaling switch; specify 55-8895 x Finish

Cylinder Information for Exit Devices

Cylinder Chart: Exit Device Series x Function		ET Trim (700 Series Auxiliary Control)		PTB, PSB, STS, MAL, MSL, FLL, FSL, FLW, FSW	
Door Thickness		1-3/4" (44mm)	2-1/4" (57mm)	1-3/4" (44mm)	2-1/4" (57mm)
Narrow Stile Mortise Exit Device	8304	46	48	41	43
	8313/8343	41	41	Not Available	
	8344	46	48	Not Available	
	8363	Not Available		41	43
	8375/8376	46	48	Not Available	
Narrow Stile CVR Exit Device	All 8400	41	41	Not Available	
Narrow Stile Rim Exit	8504	34	34	Not Available	
	8513/8543	41	41	Not Available	
Concealed Vertical Rod Exit Devices	All LP/LR/LS8600	41	Not Available		
	All SP/PP/PR8600	41	Not Available		
	All AD, MD & WD8600	41	41	Not Available	
Surface Vertical Rod Exit Devices	8706/8713/8743/8746	41	41	Not Available	
	8762/8763	Not Available		34	34
	All SP/PP/PR8700	41	N/A	Not Available	
Rim Exit Devices	8804	34	34	34	34
	8806/8813/8843/8846	41	41	Not Available	
	8816	34/*44	34/*44	Not Available	
	8844	34	34	Not Available	
	8863	Not Available		34	34
	8866	Not Available		34/*44	34/*44
	8875/8876/8877	34	34	Not Available	
	8904	46	48	41	43
Mortise Lock Exit Devices	8913/8943	41	41	Not Available	
	8916	*34/46	*34/48	Not Available	
	8944	46	48	Not Available	
	8963	Not Available		41	43
	8966	Not Available		*41/34	*43/34
	8975/8976	46	48	Not Available	

* Inside Cylinders

Chart shows cylinder type and size for conventional SARGENT cylinders.

Note: Cylinder sizes & types are limited, as noted: SC- & SE- cylinders are available in size 41

60-, 63- & 64- cylinders are available in sizes 42, 43, 44 & 46

70-, 11-70-, 72-, 11-72-, 73- & 11-73 cylinders are available in sizes 43 & 46

Note: The 8888's Lever & Rose Trim cylinder standard is the standard SARGENT 10 Line cylinder (13-3266).

Note: 41 Cylinder is 1-1/8" in length; For each additional digit, the cylinder is 1/8" longer. Example: 42 is 1-1/4"; 43 is 1-3/8" and 46 is 1-3/4".

Note: SARGENT supplies standard blocking rings. Specify if using competitor cylinders.

Mullions: Aluminum, Steel & Electrified

80 Series

Aluminum Mullions			
Product Designation	650A	980	L980
Description	Removable	Removable	Lockable
Material	Aluminum	Aluminum	Aluminum
Standard Finish	US28/Satin Anodized Aluminum	Prime Coat	Aluminum Prime Coat
Options	Specify "650A x 10B" for 313AN to match 10B	Specify "980A" for Anodized US28/ Satin Aluminum	Specify: "L980A" Anodized Aluminum Specify: "L980A x 10B" for 313AN to match 10B
Stk Size	96"	96"	96"
Max Stk Height	120"	120"	120"
Pre-prepped	658 Strikes Included	No	No
Cylinder Size	Not Required	Not Required	#41
Shape	1-1/2" x 2-1/2"	T Shaped 2-1/2" x 3"	T Shaped 2-1/2" x 3"
Misc. Information and Accessories	Includes 651 Stabilizers and imbedded Weather Stripping Top Retainer 94-2050 Bottom Retainer 94-2051	Top Retainer - 511 Bottom Retainer - 502 Adapter for narrow transom: 507 - Aluminum Prime Coated 507A - Anodized Aluminum	All Cylinder Options Available Wall Mount Kit 98-2578 Top Ret Pack 98-2526 Bottom Ret Pack 98-2525 Cylinder Kit 980C1*

Electrified
EL980
Electrical Lockable
Steel
Gray Paint
Wall Mounting Kit: 98-2580 Top Ret Pack :98-2559
96"
120"
No
#46 Only
Rectangular 2" x 3"
For use with Electric Strikes and Monitoring, Quick Connect Wiring Supplied Cylinder Kit 980C2*

*Note: Cylinder Kits must be ordered separately

Steel Mullions					
Product Designations	HC980	980S	L980S	HCL980	12-HC980
Description	Hurricane Code	Standard Mullion	Lockable	Lockable Hurricane Code	Heavy Duty
Material	Steel	Steel	Steel	Steel	Steel
Fire Rated	Specify 12-HC980	Specify 12-980	Specify 12-L980	Specify 12-HCL980	Specify 12-HC980
Fire Rated Max Height	96"	96"	96"	96"	120"
Finish	Gray Paint	Gray Paint	Gray Paint	Gray Paint	Gray Paint
Stk Size	96"	96"	96"	96"	120"
Max Stk Height	96"	120"	120"	96"	120'
Pre-prepped	No	No	No	No	No
Cylinder Size	Not Required	Not Required	#41 Std (#42 & #43 available)	#41 Std (#42 & #43 available)	Not Required
Shape	Rectangular 2' x 3"	Rectangular 2" x 3"	Rectangular 2" x 3"	Rectangular 2" x 3"	Rectangular 2" x 3"
Misc. Information	Designed for severe wind load conditions due to hurricanes or windstorms. Tested to Dade County Protocols & ASTM Standards	For 12-8800 - Channel Iron & Malleable iron top & bottom retainers.	Fire rated for 8'0" x 8'0" paired openings	See Notes Below	12-HD980 is for pair of doors over 8'0" to 10'0" for use with 12-8800 Rim Exits includes two piece strikes
Accessories	Top Ret Pack - 98-2599 Bottom Ret Pack - 98-2600 Top Retainer Shim Kit - 601	Top Ret Pack - 98-2190 Bottom Ret Pack - 98-2191 Top Retainer Shim Kit - 601	Wall Mounting Kit - 98-2579 Top Ret Pack - 98-2559 Bottom Ret Pack - 98-2556 Top Retainer Shim Kit - 601 Cylinder Kit - 980C1*	- Top Retainer Pack: 98-2593 - Bottom Retainer Pack: 98-2594 - Top Retainer Shim Kit - 601 Cylinder Kit - 980C1*	Top Ret Pack - 98-2599 Bottom Ret Pack - 98-2600 Top Retainer Shim Kit - 601

*Note: Cylinder Kits must be ordered separately

Note for HC980/12-HC980 Mullions:

- Designed for severe wind load conditions due to hurricanes or tornadoes
- Tested to Dade County protocols and ANSI 250.13 ASTM Standards and FEMA 361
- 12- Fire labeled version
- Replacement lock kits are available for lockable mullions. Part numbers for each model are listed in the price book.

HCL980 Mullion Information

- Model 12-HC-L980 may be supplied for doors UL fire rated up to and including 3 hrs not exceeding 8 ft in width and height
- Meets the following standards: ANSI 250.13, ASTM E330, ASTM 1886, ASTM 1996, TAS 201, TAS 202 & TAS 203.
- Designed for use with UL Classified HC8810, HC8800 and 12-HC8800 rim exit devices.

Mullion Accessories and Stabilizers

80 Series

Mullion Accessories

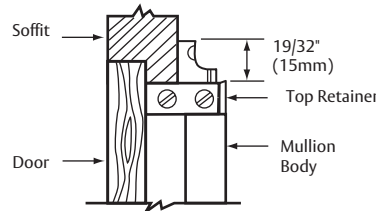
RK980

Latchbolt assembly retrofit kit with top and bottom retainers for 980 aluminum mullion



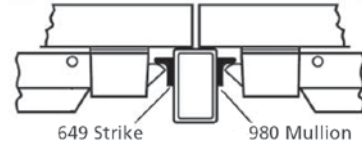
507 Narrow Transom Bars Adapter

- Available with 980 and 980A
- Required when soffit is 1-1/4" (32mm) to 2" (51mm) wide
- Order as a: 507 for 980 mullion or 507A for 980A mullion



980S Mullion Application

- All steel mullions are 2" x 3"

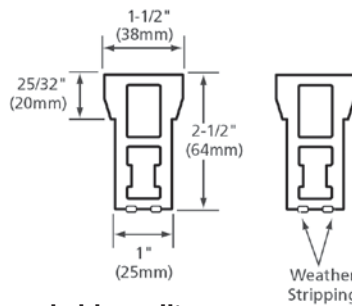


651 Mullion Stabilizer Kit

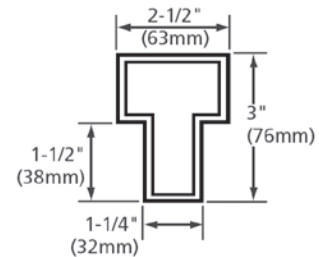


- Stabilizer block
- Furnished standard w/650A Mullion
- Order as a 651 Kit

650A Mullion



980 Mullion & L980 Lockable Mullion

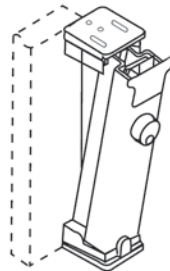


980C1 Cylinder Mullion Kit



- Lockable mullions only
- Aluminum and steel
- Includes cylinder and collar

Lockable Mullion



Lockable Mullion Cylinder Kit Options*

L980, L980A, L980S & HC-L980 mullions are available with these options: 10, 10-21-, 10-UL-, 10-63-, 11-, 11-21-, 11-60, 11-63-, 11-64-, 11-72-7P-, 11-65-73-7P-, 11-73-7P-, 21-, 22-, 60-, 63-, 64-, 70, 72-, 73-, 65-73-, 65-73-7P-, 73-7P-, 81-, 82-, F1-82-, 83-, F1-83-, 84-, SC- & SE-.

EL980 mullion is available with these options:

10, 10-21-, 10-UL-, 10-63-, 11-, 11-21-, 11-60, 11-63-, 11-64-, 11-72-7P-, 11-65-73-7P-, 11-73-7P-, 21-, 22-, 60-, 63-, 64-, 70, 72-, 73-, 65-73-, 65-73-7P-, 73-7P-, 81-, 82- & F1-82-.

*Lockable mullions are shipped without cylinders. Order Cylinder Mullion Kit separately.

980C2 Cylinder Mullion Kit



- Lockable mullions
- Electrified only
- Includes cylinder and collar

Mullion Weights & Packaging

Product	Avg Wt	Case
Exit Device with Trim	15 lbs	1 ea
980 Mullion	18 lbs	1 ea
12-980 Mullion	40 lbs	1 ea
650A Mullion	18 lbs	1 ea

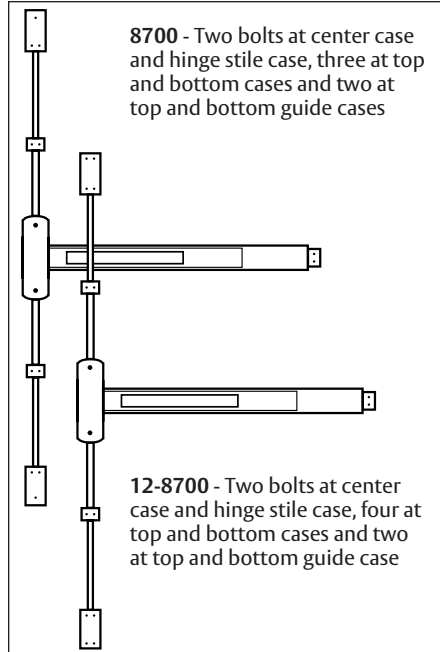
Through-bolt Kits, Rod Extensions and Shim Kits

80 Series

SARGENT®

ASSA ABLOY

Through-bolt (TB) Applications



8700 - Two bolts at center case and hinge stile case, three at top and bottom cases and two at top and bottom guide cases

12-8700 - Two bolts at center case and hinge stile case, four at top and bottom cases and two at top and bottom guide case

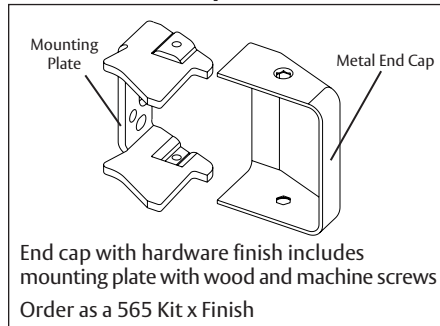
Through-bolts Qty Part

8700	Rail & Chassis	4	68-2279
8700	Cases & Guides	10	68-2282
12-8700	Complete	16	68-2288
8800	Rail & Chassis	4	68-2279

To order through-bolts with device:
Example: 8804 FLL x TB

Note: Attaching Screws – All series are furnished standard with wood screws for wood and Kalamein doors and machine screws for metal doors. Through-bolts and mortise nuts must be specified to mount fire exit devices on composite fire doors with steel, wood or plastic covering.

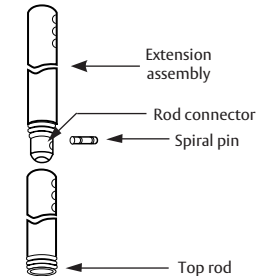
565 Metal End Cap Kit



End cap with hardware finish includes mounting plate with wood and machine screws
Order as a 565 Kit x Finish

Rod Extension Kits

- For surface mounted top rod extensions
- 570 Kit is for a Rod Connector & spiral pin
- 571 Kits includes top rod extension & 570 kit for device mfg prior to November 2002



- Specify Kits and finish:
- 571-6 for 6" Rod Extension
- 571-12 for 12" Rod Extension
- 571-18 for 18" Rod Extension

- 687 Kits include Rod Extension for devices mfg after November 2002

- Specify Kits and finish:
- 687-6 for 6" Rod Extension
- 687-12 for 12" Rod Extension

Note: For extensions over 12" full rod lengths are available, see Rod Replacement Kits Below

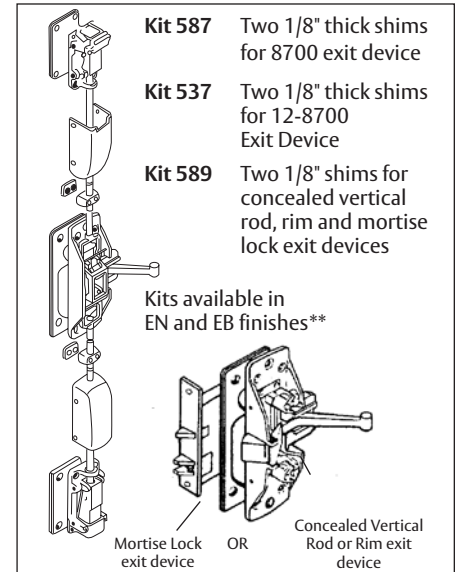
Rod & Bolt Replacement Kits

Product	Top Rod & Bolt Kit *	Bottom Rod & Bolt Kit **
8700	N/A	N/A
MD & AD8600	MD691T	691B
WD8600	WD691T	691B
WD8600 x Aux	WDA691T	691B
MD & AD8400	MD691T	691B
PP/PR/SP8600	692P	N/A
LP/LR/LS8600	692L	N/A

* Door Height & Rail Location Required

** Rail Location Required

Glass Bead Shim Kits



Kit 587 Two 1/8" thick shims for 8700 exit device

Kit 537 Two 1/8" thick shims for 12-8700 Exit Device

Kit 589 Two 1/8" shims for concealed vertical rod, rim and mortise lock exit devices

Kits available in EN and EB finishes**

Mortise Lock exit device OR Concealed Vertical Rod or Rim exit device

Note:

- Lift slide length must be increased for 8600 and 12-8600
- Lift lever length must be increased for 8900 and 12-8900
- Shim thickness must not exceed 1/4" (6mm) on 8900 and 12-8900
- Spindles and through-bolt lengths must be increased on 8700, 12-8700, 8800, 12-8800 exits

Rod Replacement Kits

Product	Top Rod Kit ++	Bottom Rod Kit +++
All 8700+	670T	670B
MD & AD8600	MD660T	660B
WD8600	WD660T	660B
WD8600 x Aux	WDA660T	660B
MD & AD8400	MD660T	660B
PP/PR/SP8600	661P	N/A
LP/LR/LS8600	661L	N/A

+ Finish Information Required

++ Door Height & Rail Location Required

+++ Rail Location Required

Door Coordinates, End Caps and Cylinder Dogging Kits

80 Series

SARGENT®

ASSA ABLOY

3487/3488 Door Coordinators



- Prevents active door from closing before inactive door closes
- Meets Federal Specification FF-H-106a Type 836. Cast bronze with rubber rollers
- U.L. Labeled when used with Fire Exit Hardware
- 3487 (6-3/4" length; 171 mm) for pairs of doors equipped with outside astragal
- 3488 (8-5/8" length; 219mm) for pairs of doors equipped with inside and outside astragals. Both include bracket and wear plate
- Packed with wood and machine screws
- Order as a: 3487 x Finish (10 or 26D) or 3488 x Finish (10 or 26D)

3497 Carry Open Bar



For use with door coordinator. Aids in opening active door when inactive door is opened and protects astragal and overlapping strike. Cast bronze. Packed with wear plate, wood and machine screws.

- Order as a: 3497 x Finish (10 or 26D)

Cylinder Nut Wrench



This wrench simplifies the installation and removal of mortise cylinders nuts used on 700 Series Auxiliary Control (80 Series ET Trim).

- Part number 97-0568

Cylinder Dogging 16- Option



A 41 mortise cylinder (included), located in the rail insert, locks the rail in retracted position. Available for all 80 Series devices except Fire Rated, FM8700 & some electrical options.

Order as a 16- option with the device

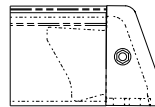
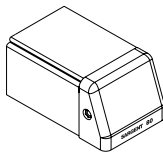
Example: 16-8813F x ETJ x 03 Finish
Also available as a 816 Kit
Specify Kit based on Rail size

Example:

- 816-1 x finish for "F" wide
 - 816-2 x finish for "E" & "F" narrow
 - 816-3 x finish for "G" wide
 - 816-4 x finish for "G" narrow & "J" wide
 - 816-5 x finish for "E" wide
 - 816-6 x finish for "J" narrow
- Cylinder included

Note: Cylinder dogging requires a 27" minimum door width

665 Flush End Cap Kit 553 Shim Kit



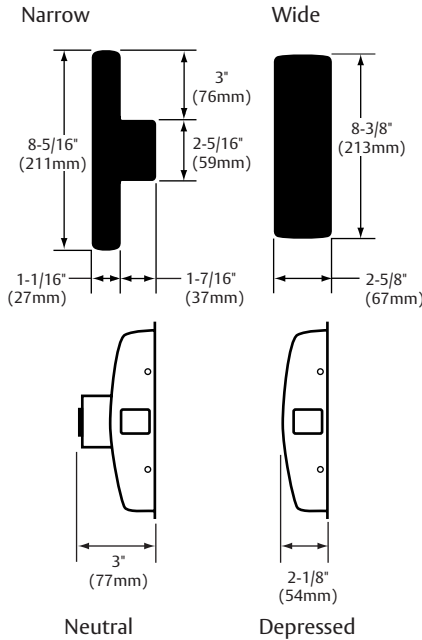
- 665 Kit is Flush End Cap for 80 Series exit device
- 665 Kit available for retrofit/replacement
- To order specify 665 Kit x Finish or with the Device as a 43- option
- 553 Kit is an 1/8" Shim for Flush End Caps
- 553 Shim Kit is only available in EN & EB**
- To order specify 553 Kit x Finish

** **Note:** EB (BHMA 690) Powder coated to match 10B
EN (BHMA 689) Powder coated to match 26D

Rail Sizes and How to Order ET Trim

80 Series

Cover Dimensions and Touchbar Projections



Rail Sizes

SARGENT offers four sizes of rails to accommodate 32", 36", 42" and 48" doors. These rails can be cut for smaller doors as specified in the chart below.

SARGENT will cut all rails to size if door width is specified when the hardware is ordered.

Stock Size	Door Widths	Remarks
E	24" to 32" (61cm to 81cm)	No cutting required for 32" (81cm) door
F	33" to 36" (84cm to 91cm)	No cutting required for 36" (91cm) door
J	37" to 42" (94cm to 107cm)	No cutting required for 42" (107cm) door
G	43" to 48" (110cm to 122cm)	No cutting required for 48" (122cm) door

LP, LR & LS8600 Rail Sizes

L Rail	36" (91cm)	No cutting required
M Rail	42" to 44" (107cm to 112cm)	No cutting required
N Rail	46" to 48" (117cm to 122cm)	No cutting required

How to specify and order ET Trim without an Exit Device

Example for 775-8 ETL 26D RHR 12VDC

7	75	-8	ETL	26D	RHR	12VDC
7 for 700 Series Auxiliary Control	2 digit function number	Suffix - Determined by Exit Device (See Chart)	ET followed by Lever Design Pages 68-71	Finish Page 81	Hand Page 80	Voltage for Solenoid ET Trims 73, 74, 75 & 76

Note: LFIC (Removable) and SFIC (70-) option cylinders require 97-0351 cylinder rings for 700 Series ET Controls and 94-0153 rings for 100 & 300 Series Aux controls

No Suffix	-8 Suffix
Square Spindle or No Spindle for inactive functions	Cross Type Spindle
for all 8900, 8300, 8700 with bottom rod and 8800, 8500, NB8700, PP, PR & SP8700 devices with these functions: 04, 10, 16, 40 & 44	for 8800, 8500, NB8700, PP, PR & SP8700 devices, except with these functions: 04, 10, 16, 40 & 44
-4 Suffix	-6 Suffix
Offset Mtg Tabs Top & Bottom	Offset Mtg Tab Top Only
for all AD & MD8400 and AD, WD & MD 8600 devices	for all PP, PR, SP, LP, LR & LS 8600 devices

730 Spindle Retrofit Kits are used to replace existing spindles for 06, 13, 15, 16, 73, 74, 75 & 76 function ET Trims

- Kits include Spindle, Retainer Plates, Mounting Screws & Return Springs

730-1	700 Series Spindle 1-3/4" Door
730-2	700 Series Spindle 2" Door
730-3	700 Series Spindle 2-1/4" Door
730-4	700-4 Series Spindle 1-3/4" Door
730-5	700-4 Series Spindle 2" Door
730-6	700-4 Series Spindle 2-1/4" Door
730-7	700-8 Series Spindle 1-3/4" Door
730-8	700-8 Series Spindle 2" Door
730-9	700-8 Series Spindle 2-1/4" Door

Mechanical Options & Descriptions

80 Series



Mechanical Options:

Categories	How to Specify	Detailed Description
Fire Rated	12-	UL Fire Label Exit hardware (not available with 16- & HK-)
SVR Bolt	14-	Sliding bolt bottom case for 8700
Cylinder Dogging	16-	Cylinder lockdown with # 41 Cylinder & # 97 Ring (not available with 12-, 57, 59-, AL- or BT- Option)
	LD-	Less dogging for non fire rated devices
Less Touch Pad	19-	Pushbar without Lexan touchpad (not available TL-)
8900/8300 Strike	23-	4-7/8" (124mm) ANSI flat lip strike (for 8900 & 8300 Series Mortise Lock Exit Devices)
Thick Doors	31-	Doors over 1-3/4" and/or Panels (Specify door thickness, panel thickness & location as required) Not available for HC8700, FM8700, PP, PR & SP8700, PP, PR & SP8600, LP, LR & LP8700 Extended lip strike supplied for 8300 & 8900 Series
	36-	Six lobe security head screws
Security Fasteners	37-	Spanner head screws
	43-	Flush End Cap (Not available with LP, LR & LS Devices)
Electrical Options	53-	Latchbolt monitoring switch (not available with 59-, GL-, HC-, WS- or on FM8700, PP/PR/SP8600 & LP/LR/LS8600 Exit Devices)
	54-	Monitors ET Lever movement with Internal micro switch in ET Control
	55-	Request to Exit - Signal Switch in Rail (not available with 59- & FM8700)
	56-	Remote Latch Retraction (not available 57-, 58-, 59-, AL- or BT- Option)
	56-HK-	Remote Latch Retraction with manual Hex Key dogging (not available 12-, 57-, 58-, 59-, AL- or BT- Option)
	57-	Delayed Egress (Electromagnetic Lock required & purchased separately) (not available 16-, 56-, 59-, AL- or BT- Option)
	58-	Electric Rail Dogging (Not available 56- & 59-)
	59-	Electroguard® Self Contained Delayed Egress Device (not available with 16-, 55-, 56-, 57-, 58-, AL-, BT-, GL-, HC- & WS- Options and on NB8700, PP/PR/SP8600 & LP/LR/LS8600 Exit Devices)
	AL-	Alarmed Exit (Not available 16-, 56-, 57-, 59-, BT-, GL-, HC- & WS-)
	BC-59-	Electroguard® Boca Code (Door Status Switch required) (not available with 16-, 55-, 56-, 57-, 58-, AL-, BT-, GL-, HC- & WS- Options and on NB8700, PP/PR/SP8600 & LP/LR/LS8600 Exit Devices)
	BT-	Beacon- Emergency Audio & Visual egress system with a self contained Laser, Flashing LEDs & Audio alert (not available FM8700 Devices & these Options 16-, 56-, 57-, 59-, BC59- and AL)
Tactile Warning Options	TL-	SARGuide Electro-Luminescent Touchpad (not available 19-, 85-, 87- & PL-)
	76-	Tactile Warning - Milled Outside Lever (not available with Studio & Coastal Levers and the A Lever)
	85-	Tactile Warning - Abrasive strip on Push Rail (Not available with PL- & TL-)
	86-	Tactile Warning - Abrasive coating on Outside Lever
Finish Protection	87-	Tactile Warning - Abrasive strip on Push Rail & Abrasive coating on Outside Lever (not available with PL- & TL-)
	CPC-	Clear Powder Coat (Available for 32 & 32D Finishes)
	SG-	MicroShield antimicrobial clear powder coat
Top Rod Only	NB-	Less Bottom Rod & Bolt (for SVR & CVR Devices)
Guarded Latch	GL-	Guarded Latch for Rim Exit Devices (not available 53-, 56-, 59-, AL-, HC- & WS-)
SARGuide	PL-	SARGuide™ PL - Photoluminescent Coated Push Rail - (Touchpad eliminated) (not available 85, 87 & TL-)
Through Bolts	TB-	Through Bolts for 8300, 8500, 8600, 8700, 8800 & 8900 Devices

Copyright © 1998-2014, Sargent Manufacturing Company, an ASSA ABLOY Group company. All rights reserved. Reproduction in whole or in part without the express written permission of Sargent Manufacturing Company is prohibited.

90641M 1/15/14

Cylinder Options & Descriptions

80 Series

Cylinder Options:

Conventional Cylinder	-	SARGENT Conventional Cylinders Supplied Standard (Unless Otherwise Specified)
Degree Key System	DG1-	SARGENT Degree Key System Level 1 (bump resistant with patented keys)
	DG1-21-	Degree Level 1 Construction Master Keying
	DG1-60-	Degree Level 1 Removable Disposable Construction Core
	DG1-63-	Degree Level 1 Removable Core
	DG1-64-	Degree Level 1 Removable Construction Keyed LFIC
	DG1-65-	Degree Level 1 Unassembled/Uncombined Core
	DG2-	SARGENT Degree Key System Level 2 (geographically exclusive; bump and pick resistant)
	DG2-21-	Degree Level 2 Construction Master Keying
	DG2-60-	Degree Level 2 Removable Disposable Construction Core
	DG2-63-	Degree Level 2 Removable Core
	DG2-64-	Degree Level 2 Removable Construction Keyed LFIC
	DG2-65-	Degree Level 2 Unassembled/Uncombined Core
	DG3-	SARGENT Degree Key System Level 3 (geographically exclusive; UL437 certified; bump and pick resistant)
	DG3-21-	Degree Level 3 Construction Master Keying
	DG3-60-	Degree Level 3 Removable Disposable Construction Core
DG3-63-	Degree Level 3 Removable Core	
DG3-64-	Degree Level 3 Removable Construction Keyed LFIC	
DG3-65-	Degree Level 3 Unassembled/Uncombined Core	
Signature Key System	10-	SARGENT Signature Key System (Not Available with other Key Systems)
	10-21-	SARGENT Signature Construction Key System (Lost Ball)
	10UL-	SARGENT Signature UL437 Key System (Not Available with other Key Systems)
Signature- LFIC	10-63-	SARGENT Signature Large Format Interchangeable Core Cylinder (Removable)
XC- Key System	11-	XC Key System (Not available with other Key systems unless specified)
	11-21-	XC- Construction Key System (Lost Ball)
XC- Large Format Interchangeable Core (Removable Core)	11-60-	Device to accept XC- Permanent Large Format Interchangeable Core, Disposable plastic Core- provided
	11-63-	Device provided with XC- Large Format Interchangeable Core Cylinder - (Includes masterkeying, grand masterkeying)
	11-64-	Device provided with Keyed construction core to accept XC- Permanent Large Format Interchangeable Core (ordered separately)
XC- Small Format Interchangeable Core	11-70-7P-	Device to accept XC- SFIC (7-Pin) XC- Permanent Cores, plastic disposable core provided
	11-72-7P-	Device to accept XC- SFIC (7-Pin Keyed Construction Core provided) cylinder Permanent core ordered separately
	11-73-7P-	Device provided with XC- Small Format 7-Pin interchangeable core (Includes masterkeying, grand masterkeying)
	11-65-73-7P-	Device provided to accept XC- Uncombined 7-Pin SFIC (Permanent) Core - (Packed Loose)
Construction Key Systems	21-	SARGENT Lost Ball Construction Keying for Conventional, XC and Signature Series (N/A with 63- or 73-)
	22-	SARGENT Construction Split Key System for Conventional Cylinders (Existing Systems Only) (N/A with 10-, 11-, 63- or 73-)
Old Style Removable Core	51-	Removable Core Cylinder (Old Style) provided (existing systems only)
	52-	Removable Construction Core (Old Style) Permanent core ordered separately (existing systems only)
Large Format Interchangeable Core (Removable Core)	60-	Device to accept SARGENT Permanent Large Format Interchangeable Core, Disposable plastic Core provided (Permanent Cores ordered separately)
	63-	Device provided with Large Format Interchangeable Core Cylinder - (Includes masterkeying, grand masterkeying)
	64-	Device provided with Keyed construction core to accept Permanent Large Format Interchangeable Core (ordered separately)
Small Format Interchangeable Core	70-	Device to accept 6- or 7-Pin SFIC Permanent Cores, plastic disposable core provided
	72-	Device to accept 6- or 7-Pin SFIC (6-Pin Keyed Construction Core provided) Cylinder (Permanent Core ordered separately)
	73-	Device provided with 6-Pin SFIC (Includes masterkeying, grand masterkeying)
	65-73-	Device provided to accept Uncombined 6-Pin SFIC (Permanent) Core - (Packed Loose for field keying)
	65-73-7P-	Device provided to accept Uncombined 7-Pin SFIC (Permanent) Core - (Packed Loose for field keying)
	73-7P-	Device provided with Small Format 7-Pin Interchangeable Core (Includes masterkeying, grand masterkeying)
	81-	Device provided with housings to accept Keso (83) & Keso F1 (F1-83-) removable cores. (Permanent Cores ordered separately)
Keso & Keso F1	82-	Device provided with SARGENT Keso Security Cylinder
	F1-82-	Device provided with SARGENT Keso F1 Security Cylinder (Patented)
	83-	Device provided with SARGENT Keso Security Removable Core cylinder
	F1-83-	Device provided with SARGENT Keso F1 Security Removable Core cylinder (Patented)
	84-	Device provided with SARGENT Keso Construction Cores (Permanent Cores ordered separately)
Added Security	BR-	Bump Resistant Cylinder (Available with Conventional & Conventional XC Cylinders Only)
Less Cylinder	LC-	Less Cylinder - SARGENT supplies standard blocking rings for 1-1/8" Cylinders (For longer cylinders order collars/rings separately)
Schlage Keyways	SC-	Schlage C keyway cylinder, 0 bitted (not available with: 8904, 8916, 8944, 8975, 8976, 8866, 8304, 8344, 8375 & 8376)
	SE-	Schlage E keyway cylinder, 0 bitted (not available with: 8904, 8916, 8944, 8975, 8976, 8866, 8304, 8344, 8375 & 8376)
Lever to Accept Schlage	SF-	L Lever to accept MEDECO KeyMark Large Format Interchangeable and Schlage Full Size Interchangeable Core (Supplied Less Cylinder, but with tailpiece needed) (Available for 88-KLL & 88-CLL)

Note: For V-10 Cylinders and information, contact ASSA

How to Order Exit Devices

Example Order:

Options	12-89	75	F	ETMR	12VDV	RHR	26D	32D	36"	84"	41"
Options	Device Type	Function	Rail Size	Trim	Voltage	Hand	Outside Finish	Inside Finish	Door Width	Opening Height	AFF
Available Options Listing Pgs 76-77	89 - Mortise	04 - Night Latch	E 24"-32"	For ET trim specify ET followed by Lever design, See pages 62-65 Rail Sizes Listed Below are for LP, LR & LS Devices Only For Thumb Piece Trims and Pulls specify Trim Designation as specified by Device Type	12VDC	RHR	Available Finishes page 81	Inside Finish Available Finishes page 81	If door width is supplied rails will be cut to size	Required for Vertical Rod Exit Devices	Center Line of Rail Above Finish Floor 41" Standard
	WS89 - Mortise	06 - Night latch	F 33"-36"		24V0DC	LHR					
	88 - Rim	10 - Dummy	J 37"-42"		Voltage required for Solenoid Controlled Functions - 73, 74, 75 & 76						
	HC88 - Rim	13 - Classroom	G 43"-48"								
	WS88 - Rim	15 - Passage									
	87 - SVR	16 - Entrance									
	NB87 - SVR	28 - TP Passage	L 36" Door								
	HC87 - SVR	40 - FW Dummy									
	FM87 - SVR	43 - FW Classroom									
	MD86 - CVR	44 - FW Night Latch	M 42"-44"								
	AD86 - CVR	46 - FW Night Latch	N 46"-48"								
	WD86 - CVR	62 - TP Night Latch									
	85 - Rim Narrow	63 - TP Classroom									
	MD84 - CVR Narrow	66 - TP Entrance									
	AD84 - CVR Narrow	73 - Solenoid Fail Safe									
83 - Mortise Narrow	74 - Solenoid Fail Secure										

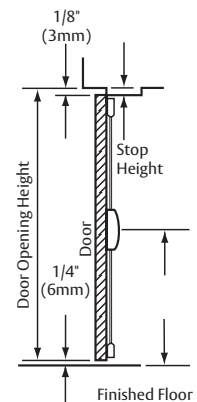
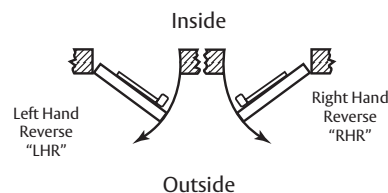
Legend

AD - Aluminum Door	HC - Hurricane Code
AFF - Above Finish Floor	MD - Metal Door
CTL - Center & Top Latching Exit	NB - No Bottom Rod
CVR - Concealed Vertical Rod	SVR - Surface Vertical Rod
ET - SARGENT External Lever Trim	TP - Thumb Piece Trim
FM - FEMA	WD - Wood Door
FW - Freewheeling Trim	WS - Windstorm

Mounting Heights

- 41" (1041mm) from finished floor for standard application
- 38" (965mm) from finished floor for elementary schools and to meet local accessibility standards when a 100 or 300 Series Auxiliary Control is used (38" AFF must be specified)

Hand



Finishes and Finish Care

80 Series

SARGENT®

ASSA ABLOY

Finish

SARGENT#	BHMA#	Description	How to clean	Avoid these cleaners
3	605	Polished brass, clear coated	Mild non-abrasive detergent with damp cloth or sponge	Abrasive cleaners, bleach solvents, steel or bronze wool
4	606	Satin brass, clear coated		
9	611	Polished bronze, clear coated		
10	612	Satin bronze, clear coated		
10B	613	Oxidized bronze, oil rubbed	Lemon oil polished with dry cloth	Abrasive cleaners, bleach solvents, steel or bronze wool
10BE	613E	Dark oxidized satin bronze, equivalent		
10BL	614	Oxidized satin, bronze, clear coated	Mild non-abrasive detergent with damp cloth or sponge	Abrasive cleaners, bleach solvents, steel or bronze wool
14**	618**	Polished nickel, clear coated		
15**	619**	Satin nickel, clear coated		
20D	624	Statuary dark bronze, clear coated		
26**	625**	Polished chrome		
26D**	626**	Satin chrome		
32**	629**	Polished stainless steel		
32D**	630**	Satin stainless steel	Plastic pad or bronze wool	Cleaners, solvents, bleach, steel wool

** Exit devices are available in all standard finishes, except 14, 15, 26 & 26D. With these finishes, exit devices are supplied in 32 or 32D to match accordingly. 26 or 26D is automatically supplied when 32 or 32D is specified. For nickel finishes, specify 14/32 or 15/32D to receive nickel finished trims and stainless exit devices.

Note: FLW & FSW are NOT available in 32 or 32D

To avoid discoloration and pitting:

- Keep stainless steel away from contact with other metals
- Avoid cleaning with mineral acids or chlorine products
- Avoid cleaning with abrasive products like sandpaper or steel wool

To maintain the finish:

- Remove any contamination before damage occurs
- Protect with a metal polish or car wax

2.01 EXIT DEVICES

- A. Exit devices shall be 80 Series push rail devices as manufactured by SARGENT Manufacturing Company, New Haven, CT.
- B. Exit devices shall be certified to meet or exceed the requirements of ANSI/BHMA A156.3 Grade 1.
- C. Exit devices shall be listed by Underwriters Laboratories for panic and bear the UL label for life safety in full compliance with NFPA 80 and NFPA 101. Exit devices for fire labeled doors shall be UL listed as "Fire Exit Hardware".
- D. Provide standard hex key dogging on non fire-rated exit devices, with cylinder dogging (i.e., SARGENT 16- option) as an option.
- E. Exit devices shall comply with UL10C and UBC 7-2 positive pressure requirements.
- F. Construction:
 - 1. Chassis shall be of heavy duty cast design with one piece drawn nonferrous removable covers matching the material of the push and mounting rails.
 - 2. Stamped steel chassis are not acceptable.
 - 3. Mounting rails shall be formed from a solid single piece of stainless steel, brass or bronze no less than 0.072 inches thick.
 - 4. Push rails shall be constructed of 0.062 inch thick material in the same manner as the mounting rail. Painted or anodized aluminum shall not be considered heavy duty and are not acceptable.
 - 5. Provide protective Lexan touchpad on the exit device push rail to prevent scratches and serve as a visible guide to the user.
 - 6. Metal end caps shall be formed from the same base metal as the push and mounting rails.
- G. Exit devices shall have a maximum of 3 inches projection from the face of the door in the non-dogged position. When in the dogged position, the device shall have no more than a 2-1/8 inch projection from the door face.
- H. The design of the exit device shall eliminate the necessity of removing the device from the door for standard maintenance or keying changes.
- I. The device chassis shall be mounted and operable without the need of the rail or the chassis cover.
- J. Trim shall be through-bolted.
- K. Devices shall be available with matching trim for both wide and narrow stile doors, including electrified functions when required.
- L. Exit device operating lever trim shall withstand 1000 inch pounds of torque without allowing access.
- M. Lever trim shall be available in architectural finishes and designs to match that of the locksets specified.
- N. Provide electrified exit devices with ElectroLynx® standardized plug connectors to accommodate up to twelve wires.
- O. Plug connectors shall plug directly into ElectroLynx® through-door wiring harnesses for connection to electric transfer hinge and power supplies.
- P. Provide sufficient number of concealed wires to accommodate electric function of specified hardware.
- Q. Exit devices shall have a five year limited warranty.

These guidelines should be referenced regularly and as required for proper appearance and longevity of finish.

SARGENT Manufacturing Company
100 Sargent Drive
New Haven, CT 06511 USA
800-727-5477
www.sargentlock.com

ASSA ABLOY is the global
leader in door opening solutions,
dedicated to satisfying
end-user needs for security,
safety and convenience