

## K-MCK-12HD Series

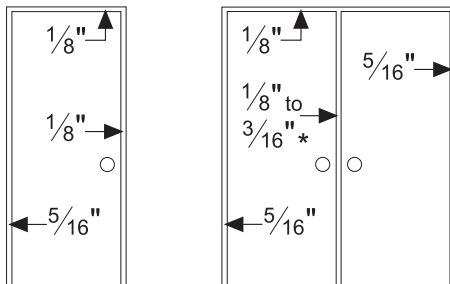
Recommended for building entrances subjected to heavy traffic and potential abuse. The K-MCK-12HD Series is designed for Kawneer Tuffline® Series, 2" deep aluminum doors with a door style option for continuous hinges.

- Certain door and frame conditions may require an extra 1/32"-1/16" clearance. Excessive clearance on fire rated assemblies may violate the requirements of NFPA 80
- Extruded 6063-T6 aluminum alloy/temper with pinless assembly
- Special hinge reinforcements are not required. Kawneer Tuffline® Series metal door and frame standard is acceptable. Removal of hinge reinforcements in the door and frame is not advised. If hinge reinforcements are left in place, then hinge fillers are needed before installation of hinge
- Standard fasteners are #12-24 x 7/16" FHUC, Type C, self-drilling screws
- Available in custom lengths (specify handing and length in inches) and custom finishes (consult factory for availability)
- Hinges are guaranteed for the life of the opening
- The Molex connectors or electrically modified hinges are guaranteed for five years

### Finishes

Code	Description
CL	Clear anodized aluminum
BZ	Dark anodized aluminum
G	Gold anodized finish
BL	Black anodized finish

Door Size	Hinge Length	# of Bearings	Door Weight
6' 8"	79"	26	520 lbs
7' 0"	83"	27	540 lbs
7' 2"	85"	27	540 lbs
8' 0"	95"	31	620 lbs
10' 0"	120"	39	780 lbs



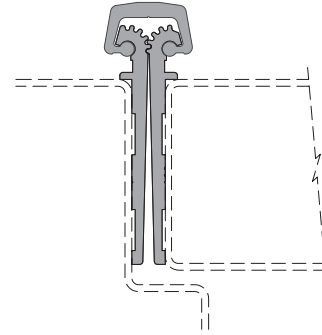
**LISTED**  
**Door Hinges**  
**76Y2**

## K-MCK-12HD



Kawneer Tuffline Series Application

Standard Application



### Options:

Code	Description
HT	Hospital Tip
FP	Fire Pins
MM	Magnetic Monitoring
PT	Power Transfer Prep (cut out only) for Adams Rite, Securitron, Yale, PEMKO, Dorma & Centurion*
EPT	Power Transfer Prep (cut out only) for Von Duprin, Securitron, PEMKO*
LPT	Securitron, Adams Rite, PEMKO*

Refer to catalog pages EH-6 for additional information on our electrical options.

\* PT, EPT, LPT Location Form must accompany your order