

SPECIFYING WESTERN RED CEDAR DECKING

To simplify specification, decking is now available in four grade categories offered exclusively by members of the Western Red Cedar Lumber Association. These few easily understood categories of decking provide a choice of quality clear grades or rustic knotty grades for outdoor decks of any style and budget.

Once the decision is made to build a deck, the choice of decking material is just as important as good design and quality construction. In today's environmentally conscious society, the natural choice is Western Red Cedar.

All wood used in the outdoors must be protected against decay and insect attack. Not only is Western Red Cedar one of the few woods with its own preservative oils, its freedom from pitch and resin makes it an excellent base for protective coatings. And cedar has other natural qualities that make it the best choice for decking. It is the most stable of British Columbia's softwoods, so Western Red Cedar decks stay flat and straight and resist checking.

Western Red Cedar decks are firm but resilient underfoot, not hard and unyielding. The wood is light weight, easily worked and ideal for almost all types of finishes. It has an elegance that complements any architectural style and a beauty that blends into all landscapes.

Whatever the reasons for building a deck, there is just one natural choice of decking material. Available in a wide range of grades and sizes, and price-competitive with lesser materials, Western Red Cedar decks are the beautiful, practical, long-lasting complement to any home.

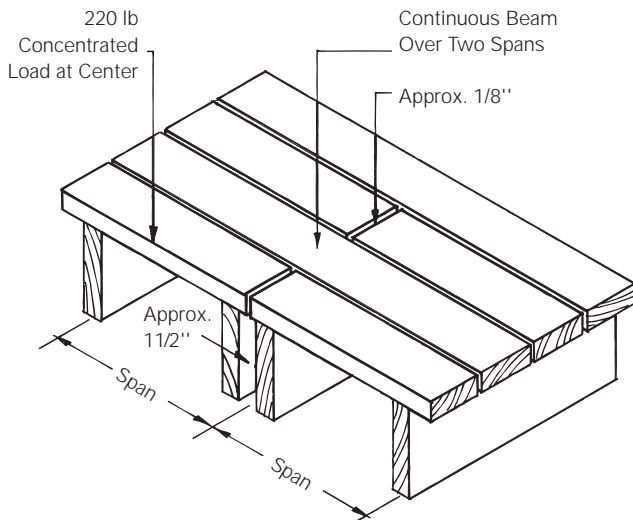
The following information is required when specifying decking:

Specification Information Required	Sample Specification
Species: Western Red Cedar	WRCLA Western Red Cedar
Size: Specify the size of decking.	5/4 x 6
Grade: The grade of decking governs its overall quality. Refer to following pages for available grades.	WRCLA Custom Clear
Moisture Content: Specify whether the product is to be seasoned on unseasoned	Unseasoned
Quantity: Express in linear feet	1000

SIZES AND SPANS OF WESTERN RED CEDAR DECKING

WRCLA Western Red Cedar decking is available in a selection of thicknesses, widths and lengths as shown in the table opposite.

Maximum spans for decking shown in the table are based on a continuous beam with two equal spans and a concentrated load of 220-lb at the center of one span. The true span of the decking board is used, taking into account the thickness of the supporting joist beneath it. Wet end-use conditions and unseasoned (green) lumber sizes are assumed.



Thickness (in.)	Width (in.)	Grade Category (in.)	Span
1-1/4	4	All clear grade categories	16
1-1/4	4	All knotty grade categories	12
1-1/4	6	All clear and knotty grade categories	16
2	4	All clear and knotty grade categories	24
2	6	All clear and knotty grade categories	24

To help figure the amount of decking needed for a project, use the following linear footage calculator:

To Cover 100 Square Feet of Deck	
Nominal Size (in.)	Linear Feet
1-1/4 x 4	325
2 x 4	325
1-1/4 x 6	211
2 x 6	211

BUILDING AND MAINTENANCE TIPS

Space deck boards apart to allow proper water drainage. A deck that dries after wetting will last longer than one that stays damp.

Keep the deck free of leaf, pine needle and other debris build-ups. These can retain water and clog drainage channels resulting in a deck that cannot drain and dry properly after wetting.

Moisture and debris can collect where butt joints occur over-joists. To create drainage, butt decking boards between double joists as shown, leaving a 1/8-in. space between the ends of the boards.

Move planters, benches and other deck accessories from-time to time to allow the deck under them to dry thoroughly.