

# The fastest, most hygienic hand dryer

The Dyson Airblade™ hand dryer works in just 12 seconds – scraping water from hands like a windshield wiper.

It's the fastest hand dryer – and it cleans the air before blowing it onto hands, so it's hygienic.

And it uses up to 80% less energy than warm air hand dryers.

For further information please contact Dyson at:  
1-888-DYSON-AB or visit our website at:  
[www.dysonairblade.com](http://www.dysonairblade.com)



dyson airblade

The fastest, most hygienic hand dryer.

# Why Airblade™ technology is better

Air is forced through two apertures the width of an eyelash – creating sheets of air travelling at 400mph. Water is scraped from hands in just 12 seconds. It's unique. You won't find the technology in any other hand dryer.

## **Fastest**

Some conventional hand dryers take as long as 40 seconds to dry hands. The Dyson Airblade™ hand dryer works in just 12 seconds – with 400mph sheets of air literally scraping hands dry.

## **Hygienic**

The Dyson Airblade™ hand dryer is fitted with a HEPA filter – a pleated 600,000mm<sup>2</sup> membrane integrated with anti-microbial additives. It removes 99.9% of bacteria from the air used to dry hands.

## **Less cost**

Because it uses less energy, the Dyson Airblade™ hand dryer costs up to 80% less to run than a warm air hand dryer, too. It's less expensive than paper towels – also, 23 people can dry their hands using a Dyson Airblade™ hand dryer for the price of a single paper towel.

## **Lower carbon footprint**

Warm air hand dryers typically require 2400 watts of power. Airblade™ technology consumes just 1400 watts.

With a 12-second drying time, the Dyson Airblade™ hand dryer uses up to 80% less energy than warm air hand dryers. And there's less waste to landfill than paper towels.

**Touch-free operation**

Infra-red sensor control for touch-free drying and minimal energy wastage.

**Anti-microbial additives**

Anti-microbial additives are integrated into all external surfaces.

**Easy to clean**

Tough, sealed ergonomic design for easy cleaning and maintenance.

**Rapid hygienic drying**

Wipes hands dry with a high velocity sheet of air in twelve seconds. Thermoset plastic with a 0.3mm gap along its entire 9 inch length directs air at 400mph to dry hands.

**Robust aluminum die-cast casing**

Durable casing resists chips and scratches.

**Noise suppression**

Precisely tuned silencing technology integrated into the motor housing and ducting to reduce air noise.

**Dyson Digital Motor (DDM)**

The DDM is a long life, new type of electric motor. As a result, it's incredibly powerful (81,000rpm) for its size generating the high air velocity needed to dry hands properly.

**Long-life motor design**

No slip rings or brushes to wear down. Only 3 moving parts.

**Efficient standby mode**

Standby power consumption of 1 watt for increased energy efficiency.

**HEPA filtration**

HEPA filter removes over 99.9% of bacteria from air used to dry hands. Over 930 sq in. of High Efficiency Particle Arrester (HEPA) filter integrated with anti-microbial additives.



The Dyson Airblade™ hand dryer contributes to LEED accreditation.



The BSF welcomes Dyson's approach to promoting skin health and hand hygiene through its revolutionary hand dryer.



The Royal Institute of Public Health considers that the Dyson Airblade™ hand dryer is a significant step forward in hand dryer technology and hygiene.



NSF Protocol P335 The Dyson Airblade™ hand dryer meets or exceeds the standards of NSF protocol P335 and is the first and only hand dryer to be NSF certified.



BuildingGreen LLC provides information about improving the environmental performance of buildings. The Dyson Airblade™ hand dryer is GreenSpec listed for its energy conservation and pollution reduction.



Frost & Sullivan has awarded Dyson the 2008 North American Hand Dryer Green Excellence of the year award.

## Technical specifications

### Electrical:

Input voltage: 110-120V AC, single phase 60 Hz  
 Rated power: 1400W, 12.0A  
 Motor type: Dyson Digital Motor. Switched reluctance brushless  
 Motor speed: 81,000 rpm  
 Heater type: None  
 Standby power consumption: 1w  
 Energy consumption per dry: .00468kwh

### Construction:

Die-cast aluminum casing with anti-microbial scuff resistant lacquer coating on exterior surfaces  
 Color finish: Metallic silver, gloss lacquer  
 Anti-microbially integrated external plastics and seals  
 Pressed anti-rust steel backplate  
 Tamper-proof T30 type exterior screws  
 Water ingress protection to IPX5

### Filtration:

HEPA filter with anti-microbial coating  
 99.97% particulate efficiency <99.9% bacteria removal.

### Operation:

Touch-free infra-red activation  
 Hand dry time: 12 seconds  
(measured to method defined in National Sanitation Foundation protocol P335)  
 Airspeed at nozzle: 400mph  
 Operating airflow: 68cfm  
 Rated operating noise power: 84db(A)

### Logistics:

Single unit order code: 13043-01  
 Unit weight: 32lb  
 Packaged weight: 39lb  
 Packaged dimensions: 29.1" × 14.3" × 12.2"  
 Pallet Count: 13  
 Pallet Type: US  
 Unit Barcode: 879957001275

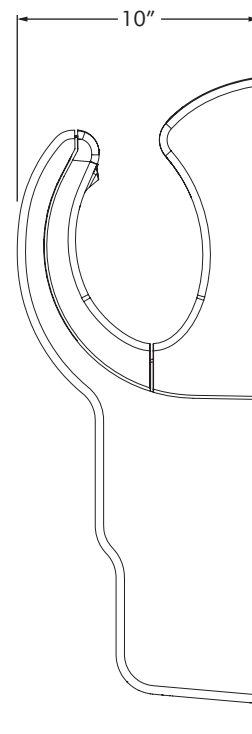
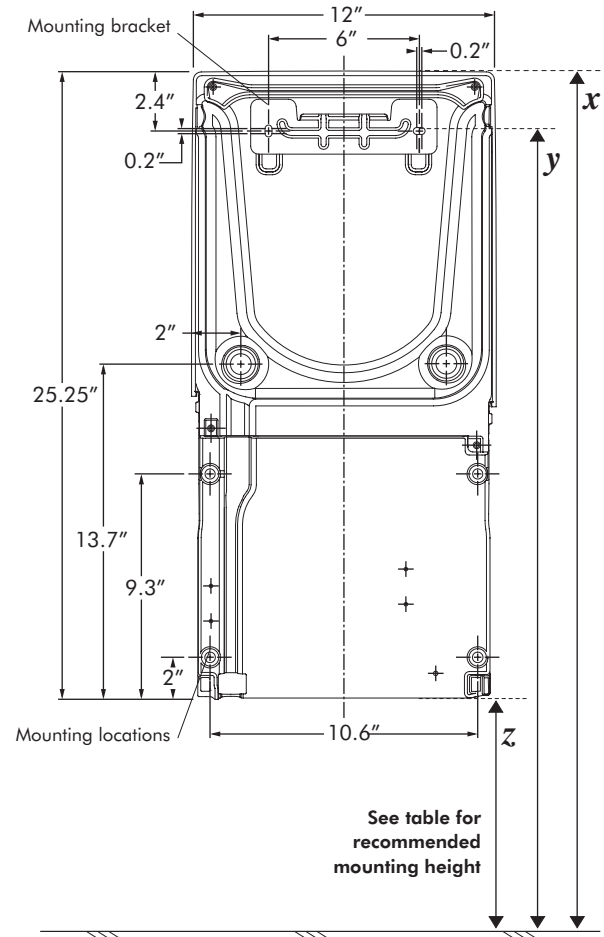
### Standard warranty:

5 year parts, 1 year labor limited

### Product Certification

ETL listed in accordance with UL507

Recommended height from floor	Male	Female	Child/Disabled
x To top of machine	41.25"	38.25"	34.25"
y To mounting bracket screw	39"	36"	32"
z To bottom of machine	16"	13"	9"



For further information please contact Dyson at:  
**1-888-DYSON-AB** or visit our website at  
[www.dysonairblade.com](http://www.dysonairblade.com)