

FRIGIDAIRE

GALLERY.



Dishwashers

FGBD2431N F/W/B/Q

24" Built-In



Product Dimensions

Height (Adjustable)	33-1/2" - 35"
Width	24"
Depth (Including Door)	25"

More Easy-To-Use Features

Smudge-Proof Stainless Steel¹
Real Stainless Steel with a protective coating reduces fingerprints and smudges so it's easy to clean.

NSF[®] Certified
Sanitize cycle removes 99.9% of common household bacteria.

Express-Select[®] Controls
Easily select options with the touch of a button.

Multiple-Cycle Options
Features easy-to-use cleaning cycle options including Top Rack, Rinse Only and Heavy Wash.

Stay-Put Door
The door that stays put at whatever angle you open it.

Signature Features



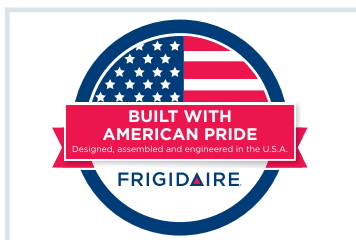
Quiet Dishwasher

A quiet performance every time so it won't interrupt your time at home.



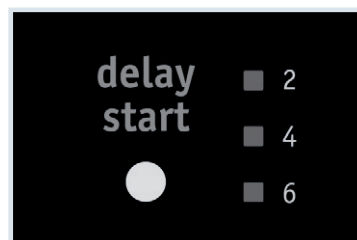
Effortless™ Dry

Get outstanding drying performance with Effortless™ Dry.



Built With American Pride

Appliances that are high-performing, more accessible, and more innovative than ever — designed, built and engineered in the U.S.A.



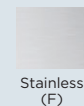
Delay Start

2-4-6-hour delay start option. Set your dishwasher to run on your schedule.

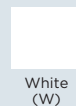
ENERGY STAR[®]
NSF[®] International
Certification



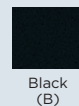
Available in:



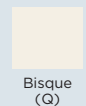
Stainless (F)



White (W)



Black (B)

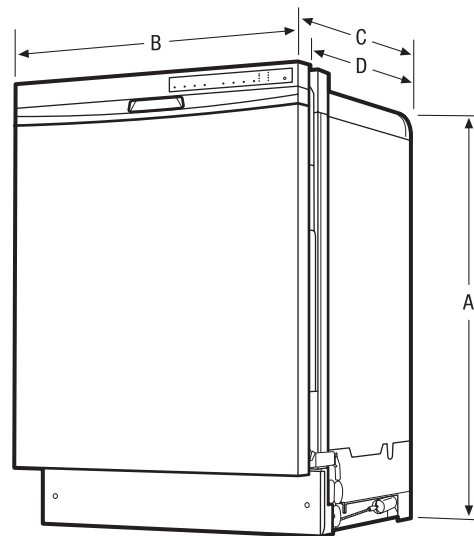


Bisque (Q)

¹Select model only.

Features	
Control Design	Slimline Express-Select®
Digital Display	
Door Latch/Stay-Put Door Hinge Design	Yes/Yes
Low Rinse-Aid Indicator Light	
Interior Design/Interior Color	Tall Tub/White
Wash System	Direct
Wash Levels/Wash Speeds	5/1
DishSense™ Technology	
AquaSurge™ Technology	
Sound Package	UltraQuiet™ 3
Filter/Filter Trap	S. Steel/Removable
Soft Food Disposer	Yes
dB Level	55
Drying System	Effortless™ Dry
Cycles	
Number of Cycles	5
Heavy	Yes
Normal	Yes
Light	
Quick	
Favorite	
China Crystal	
Rinse Only	Yes
Energy Saver Plus	
Upper Rack Wash Only	Yes
Cycle Indicator Light/Control Lock	No/Yes
Options	
Heat/No Heat Dry	Yes
Hi-Temp Wash	Yes
NSF® Certified Sanitize Rinse	Yes
Delay Start	2-4-6 Hour
Rack System	
Rack Design	Deluxe
Rack Coating	PVC
Upper Rack -	
Rack Handles	Yes
Stemware/Champagne Glass Holders	Yes
Fold-Down Tines	
Cup Shelves	2
Versa-Tray™	
Adjustable Rack	
Lower Rack -	
SpaceWise® Silverware Basket	Ultra 1
Fold-Down Tines	
Small Items Cover	
Certifications	
ENERGY STAR®	Yes
NSF® International Certification	Yes
Specifications	
Water Inlet Location	Left Bottom Front
Water Usage (Gallons)	4.9 - 8.5
Water Pressure (PSI)	20 - 120
Integral Air Gap on Supply	Yes
Leveling Legs	4
Power Supply Connection Location	Right Bottom Front
Voltage Rating	120V/60Hz/15A
Connected Load (kW Rating) @ 120 Volts ¹	1.44
Amps @ 120 Volts	10
Shipping Weight (Approx.)	72

¹ For use on adequately wired 120V, dedicated circuit having 2-wire service with a separate ground wire. Appliance must be grounded for safe operation.



NOTE: For planning purposes only. Always consult local and national electric and plumbing codes. Refer to Product Installation Guide for detailed installation instructions on the web at frigidaire.com.



Product Dimensions		Cutout Dimensions	
A - Height (Adjustable)	33-1/2" - 35"	Height (Min.)	34-1/4"
B - Width	24"	Height (Max.)	35-1/4"
C - Depth (Including Door)	25"	Width (Min.)	24"
D - Depth (To Tub Flange)	22-1/2"	Depth (Min.)	24"
Depth with Door Open 90°	49-1/4"		

Accessories information available on the web at frigidaire.com

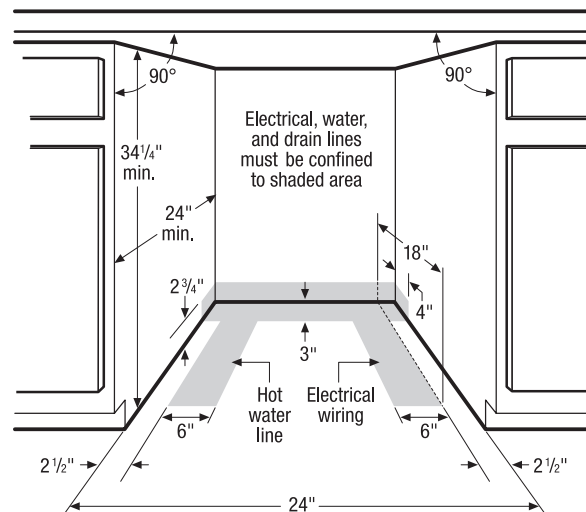
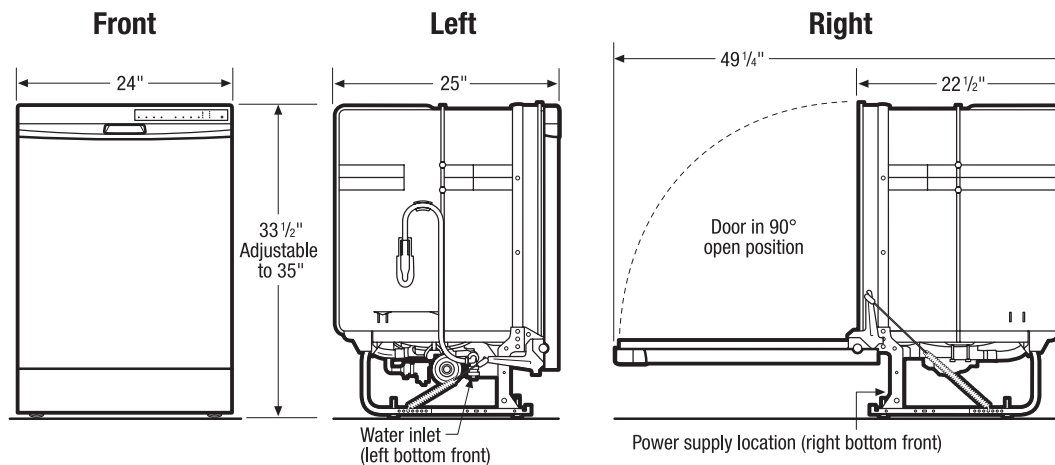
FRIGIDAIRE

USA • 10200 David Taylor Drive • Charlotte, NC 28262 • 1-800-FRIGIDAIRE • frigidaire.com
 CANADA • 5855 Terry Fox Way • Mississauga, ON L5V 3E4 • 1-800-265-8352 • frigidaire.ca

FGBD2431N 03/12

© 2012 Electrolux Home Products, Inc.

Specifications subject to change.



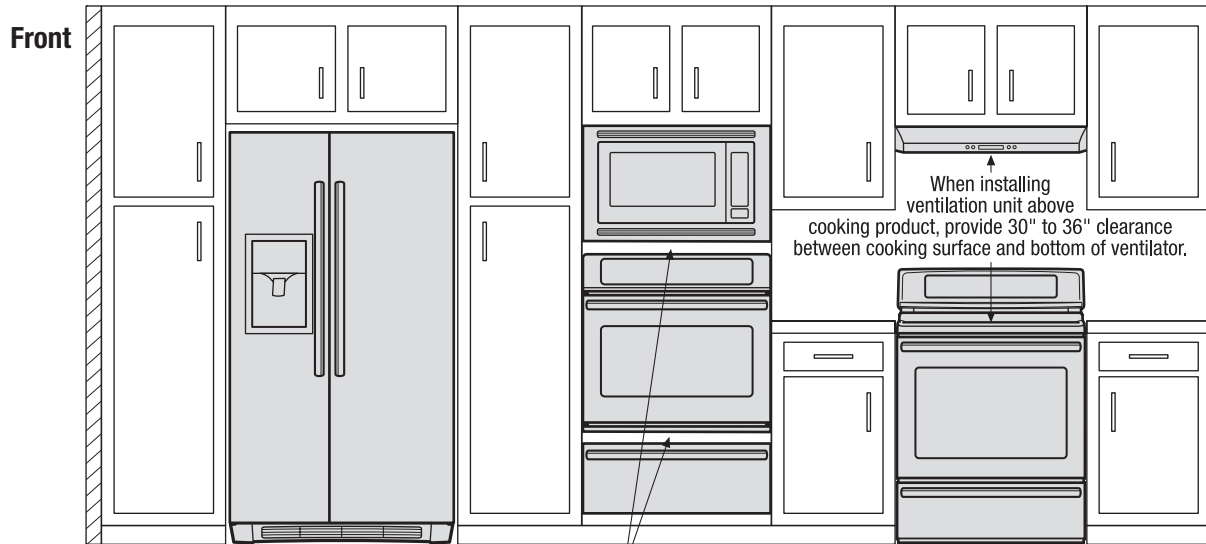
Dishwasher Specifications

- Product Shipping Weight (approx.) - 72 Lbs.
- Voltage Rating - 120V/60 Hz/15 Amps (*maximum 20 Amps if connected with disposer*)
- Connected Load (kW Rating) @ 120 Volts = 1.44 kW (For use on adequately wired 120V, dedicated circuit having 2-wire service with a separate ground wire. Appliance must be grounded for safe operation.)
- Amps @ 120V = 10 Amps
- Always consult local and national electric & plumbing codes. Meets requirements of ASSE 1006 – integral air gap on supply.
- Water Pressure - Hot water line to dishwasher must provide between 20 and 120 pounds per square inch (psi).
- Make sure location has right drain, water and electrical outlets to make connections.

- Keep back free of drain, water & electrical supply.
- Electrical and water supplies should enter cabinet opening on floor, or through back or side walls, as shown in shaded areas.
- Connections preferably located toward left side of dishwasher. Do not cross drain, water or electrical lines in front of motor, blower or frame.
- When installing adjacent to wall, cabinet or other obstruction that extends beyond front edge of unit, allow 2" minimum clearance between opened door and obstruction.
- When installing at end of cabinet line, sides must be fully enclosed.
- Do not install unit under a cooktop, damage will occur.

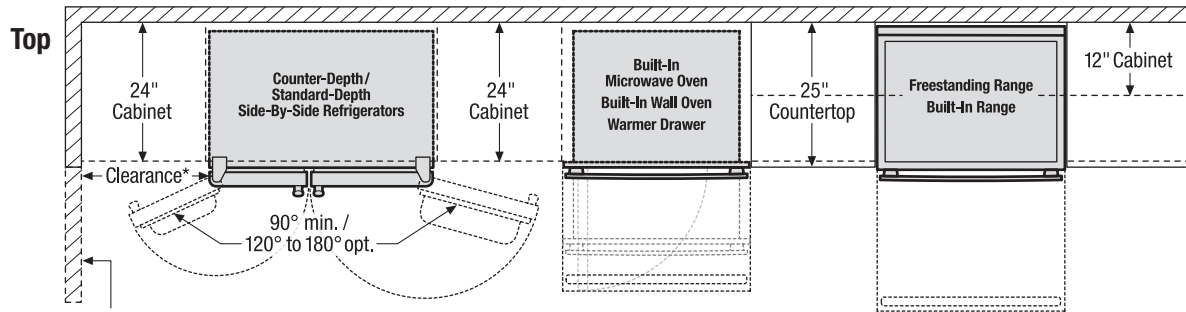
Note: For planning purposes only. Refer to Product Installation Guide on the web at frigidaire.com for detailed instructions.

Use these dimensions and clearance instructions for planning purposes only. For detailed installation instructions, refer to installation guide, packed with product, or on the web at frigidaire.com.



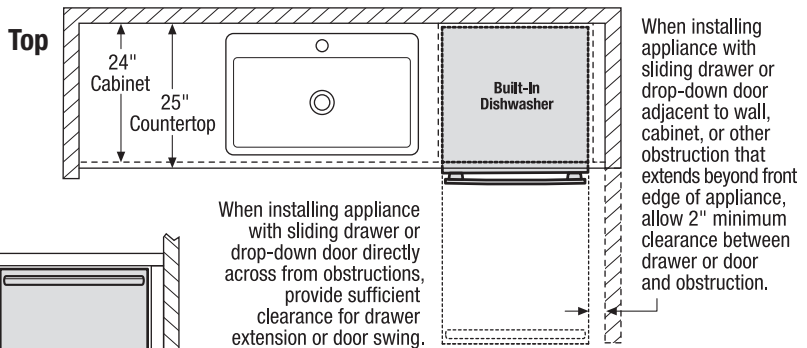
When installing built-in cooking appliances in combination, 2"-high minimum visible gap between appliance faceplates required.

When installing ventilation unit above cooking product, provide 30" to 36" clearance between cooking surface and bottom of ventilator.

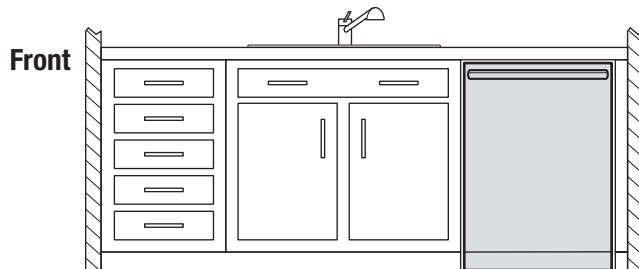


*When installing side-by-side refrigerator adjacent to wall, cabinet or another appliance that extends beyond front edge of unit, 20" minimum clearance recommended to allow for optimum 120° to 180° door swing, providing complete drawer/crisper access and removal. (Absolute 4-1/2" minimum clearance will ONLY allow for 90° door swing which will provide limited drawer/crisper access with restricted removal.)

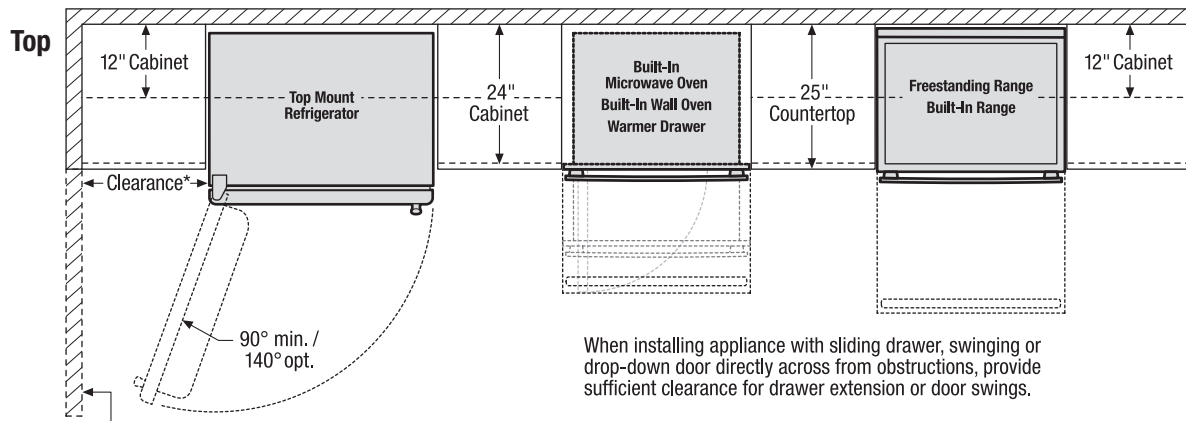
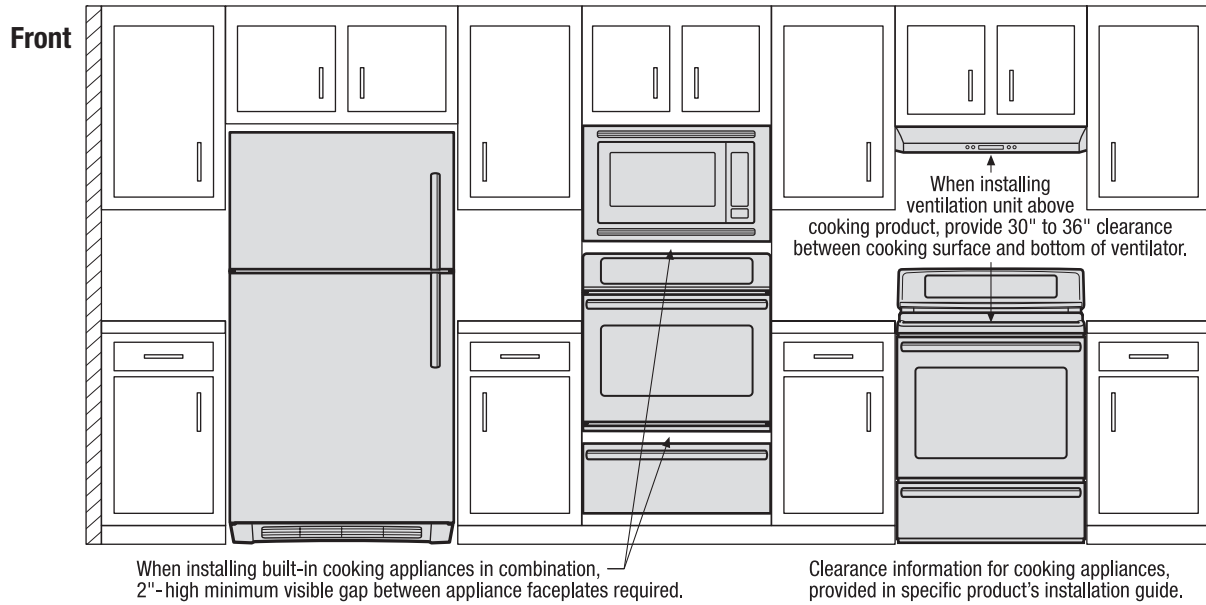
When installing appliance with sliding drawer, swinging or drop-down door directly across from obstructions, provide sufficient clearance for drawer extension or door swings.



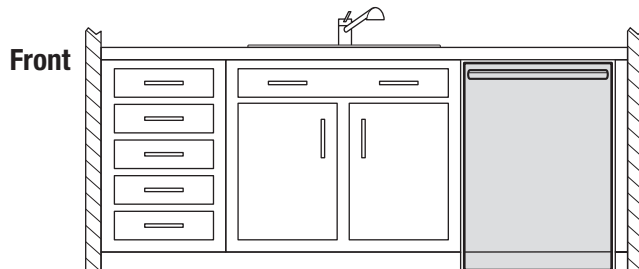
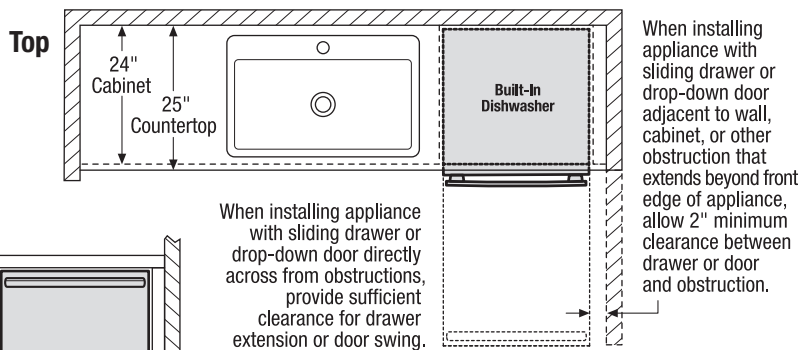
When installing appliance with sliding drawer or drop-down door directly across from obstructions, provide sufficient clearance for drawer extension or door swing.



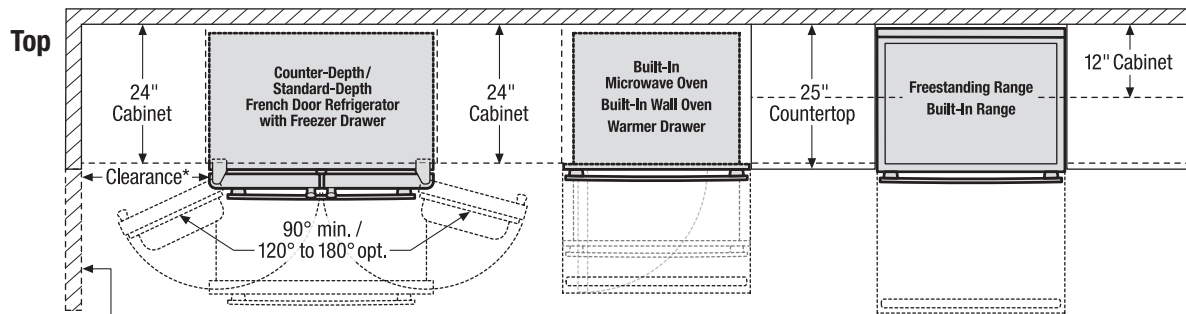
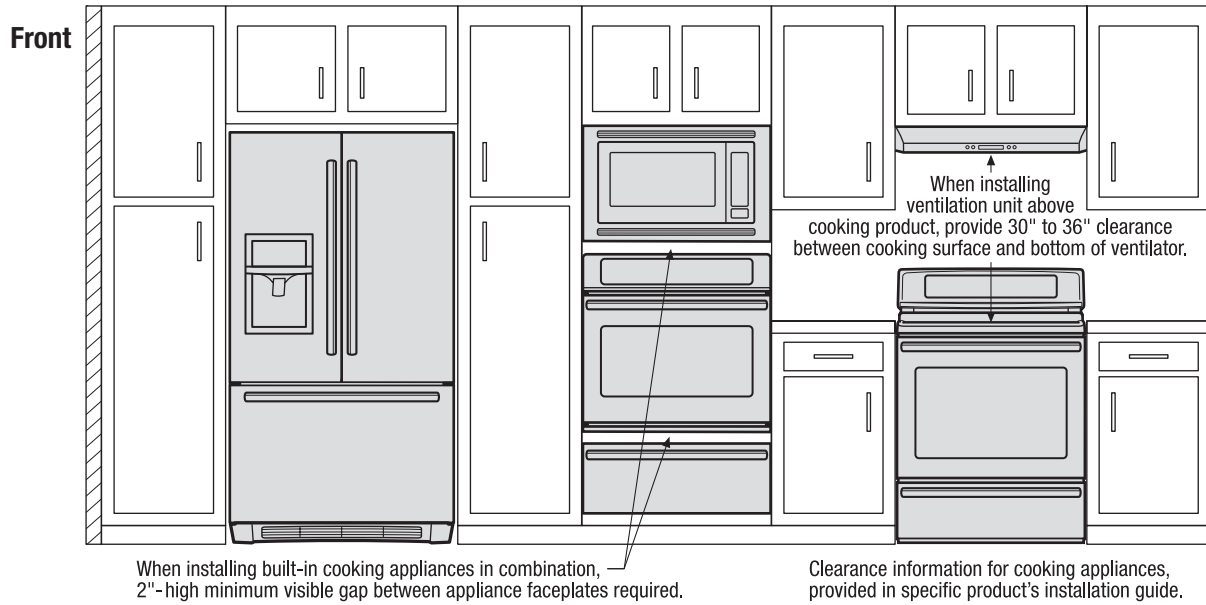
Use these dimensions and clearance instructions for planning purposes only. For detailed installation instructions, refer to installation guide, packed with product, or on the web at frigidaire.com.



*When installing top mount refrigerator adjacent to wall, cabinet or other appliance that extends beyond front edge of unit, 20" minimum clearance recommended to allow for optimum 140° door swing, providing complete crisper access and removal. (Absolute 3" minimum clearance will ONLY allow for 90° door swing which will provide limited crisper access with restricted removal.)



Use these dimensions and clearance instructions for planning purposes only. For detailed installation instructions, refer to installation guide, packed with product, or on the web at frigidaire.com.



*When installing French door refrigerator adjacent to wall, cabinet or another appliance that extends beyond front edge of unit, 20" minimum clearance recommended to allow for optimum 120° to 180° door swing, providing complete drawer/crisper access and removal. (Absolute 4-1/2" minimum clearance will ONLY allow for 90° door swing which will provide limited drawer/crisper access with restricted removal.)

When installing appliance with sliding drawer, swinging or drop-down door directly across from obstructions, provide sufficient clearance for drawer extension or door swings.

