

# FRIGIDAIRE

GALLERY®



## Side-by-Side Refrigerator

FGHC2355PF

23 Cu. Ft. Counter-Depth



### Product Dimensions

|  |         |
|--|---------|
| Height<br>(Including Hinges & Rollers) | 69-7/8" |
| Width (Doors)                          | 36"     |
| Depth (Including Door)                 | 28-1/2" |

### More Easy-To-Use Features

#### Sliding SpillSafe® Glass Shelves

Slide-out for easy access and are designed to keep spills contained, making them easy to clean.

#### SpaceWise® Plus

Gives you more space to keep food organized with SpillSafe® Glass Shelves, Adjustable Door Bins and Crisper Drawers.

#### Cool Zone™ Drawer

Conveniently located in the fresh food compartment for easy access to sandwich foods.

#### Counter-Depth Design

Counter-Depth refrigerators have a built-in look for a sleek style and take up less room in the kitchen than standard-depth refrigerators without losing usable shelf space.

#### Store-More™ Humidity-Controlled Crisper Drawers

Keep your fruits and vegetables fresh in our humidity-controlled crisper drawers.

#### Store-More™ Gallon Door Bins

Door storage gives you room for larger items — like a gallon of milk.

#### Quick Ice

Quick Ice delivers up to 37% more ice.<sup>2</sup>

#### A.D.A. Compliant

When properly installed, this model is A.D.A.-qualified based on the United States Access Board's A.D.A./A.B.A. Accessibility Guidelines and the Department of Justice's 2010 A.D.A. Standards for Accessible Design.

### Signature Features



#### Adjustable Interior Storage

Over 100 ways to organize and customize your refrigerator.



#### Best-in-Class Ice & Water Filtration<sup>1</sup>

PureSource Ultra® Water Filtration offers best-in-class water filtration so you get cleaner, better tasting water at your fingertips.



#### Multi-Level LED Lighting

Corner-to-corner LED lighting throughout the refrigerator for better visibility.



#### Smudge-Proof™ Stainless Steel

Reduces fingerprints and smudges so it's easy to clean.

ENERGY STAR®  
Sabbath Mode  
(Star-K® Certified)



Available in:



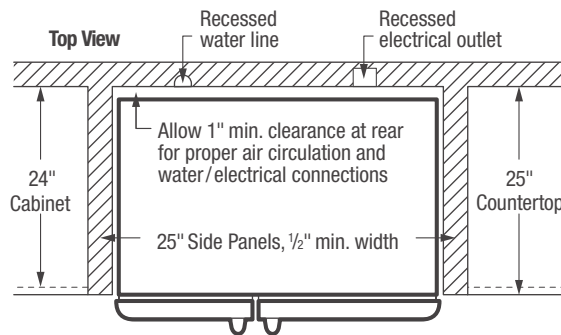
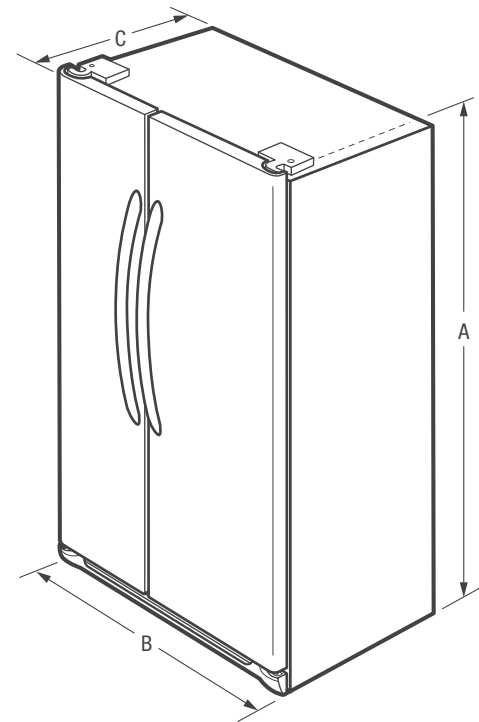
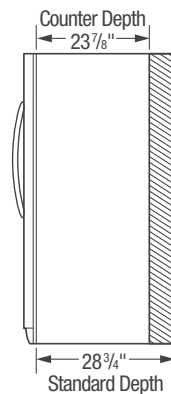
Stainless  
(F)

<sup>1</sup>As compared to other consumer refrigeration water filtration systems.

<sup>2</sup>In a 24-hour period.

| Features  |                      |
|---|----------------------|
| Door Design   | Curved               |
| Door Handle Design                                  | Stainless Steel      |
| Cabinet Finish                                      | Grey                 |
| Door Stops/Door Closers                             | Yes/Yes              |
| Door Hinge Covers                                   | Hidden               |
| Rollers - Front/Rear                                | Adjustable/Yes       |
| Energy Saver Plus Technology                        | Yes                  |
| Water Filter Location                               | Top Right Rear       |
| Sound Package                                       | Quiet Pack           |
| Dispenser   |                      |
| Controls  | Express-Select*      |
| Dispenser Design                                    | Flush, Single Paddle |
| Number of Dispenser Buttons                         | 11                   |
| Crushed Ice/Cube Ice/Chilled Water                  | Yes/Yes/Yes          |
| Ice Option  | Quick Ice            |
| Freeze Option                                       | Quick Freeze         |
| Display On/Off Option                               | Yes                  |
| Control Lock/Light                                  | Yes/Yes              |
| Temp/Door Ajar/Power Failure Alerts                 |                      |
| Water Filter Change Indicator Light                 | Yes                  |
| Air Filter Change Indicator Light                   | Yes                  |
| Refrigerator Features                               |                      |
| Interior Lighting                                   | Designer LED         |
| Water Filter Type                                   | PureSource Ultra*    |
| Air Filter Type                                     | PureAir Ultra*       |
| Fixed Shelves                                       | 1 SpillSafe*         |
| Sliding Shelves                                     | 2 SpillSafe*         |
| Cool Zone™ Drawer                                   | 1 Stacked            |
| Wine/Can Rack                                       | No/1 Clear           |
| Upper Crisper/Lower Crisper                         | 1 Clear/1 Clear      |
| Humidity Controls                                   | 2                    |
| Dairy Compartment                                   | 1 Clear              |
| Fixed Door Bins                                     | 1 One-Gallon Clear   |
| Adjustable Door Bins                                | 2 Two-Liter Clear    |
| Non-Slip Bin Liner/Bottle Retainers                 |                      |
| Condiment Bin                                       | 1 Clear              |
| Freezer Features                                    |                      |
| Door Bins/Tilt-Out Wire Door Bins                   | 4 White/No           |
| Fixed Shelves                                       | 2 Glass              |
| Full Extension Baskets                              |                      |
| Full Freezer Baskets                                | 2 Wire               |
| Half Freezer Baskets                                |                      |
| Ice Cream Shelf/Pizza Shelf                         |                      |
| SpaceSaver™ Shelf                                   | Yes                  |
| Lighting  | LED                  |
| Certifications                                      |                      |
| A.D.A. Compliant <sup>1</sup>                       | Yes                  |
| ENERGY STAR®  | Yes                  |
| Sabbath Mode (Star-K® Certified)                    | Yes                  |
| Specifications                                      |                      |
| Total Capacity (Cu. Ft.)                            | 22.6                 |
| Refrigerator Capacity (Cu. Ft.)                     | 14.1                 |
| Freezer Capacity (Cu. Ft.)                          | 8.5                  |
| Power Supply Connection Location                    | Right Bottom Rear    |
| Water Inlet Connection Location                     | Left Bottom Rear     |
| Voltage Rating                                      | 120V/60Hz/15A        |
| Connected Load (kW Rating) @ 120 Volts <sup>2</sup> | 1.02                 |
| Amps @ 120 Volts                                    | 8.5                  |
| Minimum Circuit Required (Amps)                     | 15                   |
| Shipping Weight (Approx.)                           | 325 Lbs.             |

**Standard Refrigerator Depth vs. Counter Depth**



NOTE: For planning purposes only. Always consult local and national electric and plumbing codes. Refer to Product Installation Guide for detailed installation instructions on the web at [frigidaire.com](http://frigidaire.com).



| Product Dimensions                  |               |
|-------------------------------------|---------------|
| A - Height (Incl. Hinges & Rollers) | 69-7/8"       |
| B - Cabinet Width/Door Width        | 35-7/8" / 36" |
| C - Depth (Incl. Door)              | 28-1/2"       |
| Depth with Door Open 90°            | 45"           |

| "Built-In Look" Cutout Dimensions |         |
|-----------------------------------|---------|
| Height (Incl. Hinges & Rollers)   | 70-1/4" |
| Width                             | 36"     |
| Depth                             | 25"     |

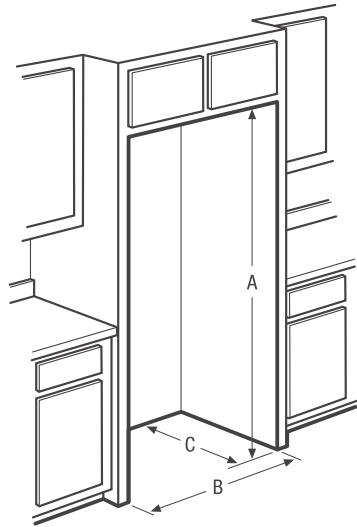
<sup>1</sup>When properly installed, this model is A.D.A.-qualified based on the United States Access Board's A.D.A./A.B.A. Accessibility Guidelines and the Department of Justice's 2010 A.D.A. Standards for Accessible Design.

<sup>2</sup>For use on adequately wired 120V, dedicated circuit having 2-wire service with a separate ground wire. Appliance must be grounded for safe operation.

Accessories information available on the web at [frigidaire.com](http://frigidaire.com)

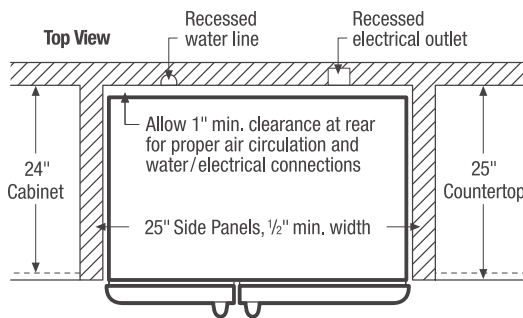
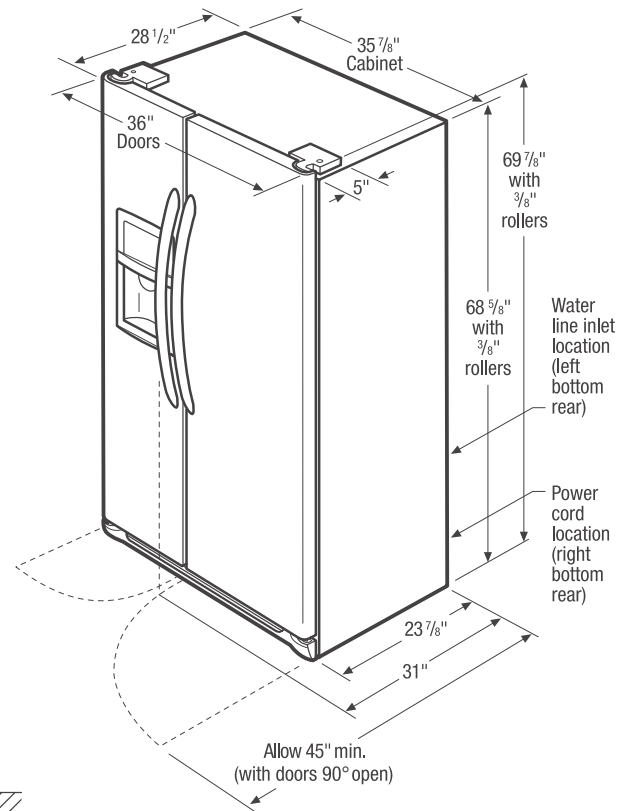
## FRIGIDAIRE

USA • 10200 David Taylor Drive • Charlotte, NC 28262 • 1-800-FRIGIDAIRE • [frigidaire.com](http://frigidaire.com)  
 CANADA • 5855 Terry Fox Way • Mississauga, ON L5V 3E4 • 1-800-265-8352 • [frigidaire.ca](http://frigidaire.ca)



### "Built-In Look" Cutout Dimensions

(A) 70 1/4" (B) 36" (C) 25"



### Side-by-Side Refrigerator Specifications

- Product Shipping Weight (approx.) - 325 Lbs.
- Voltage Rating - 120V / 60 Hz / 15 Amps
- Connected Load (kW Rating) @ 120 Volts = 1.02 kW (For use on adequately wired 120V, dedicated circuit having 2-wire service with a separate ground wire. Appliance must be grounded for safe operation.)
- Amps @ 120 Volts = 8.5 Amps
- Always consult local and national electric & plumbing codes.
- Floor should be level surface of hard material, capable of supporting fully loaded refrigerator.
- When installing refrigerator adjacent to wall, cabinet or other appliance that extends beyond front edge of unit, 20" minimum clearance recommended to allow for optimum 120° to 180° door swing, providing complete drawer / crisper access and removal. (*Absolute 4-1/2" minimum clearance will ONLY allow for 90° door swing which will provide drawer / crisper access with restricted removal.*)
- To ensure optimum performance, avoid installing in direct sunlight or close proximity to range, dishwasher or other heat source.
- For proper ventilation, front grille MUST remain unobstructed.

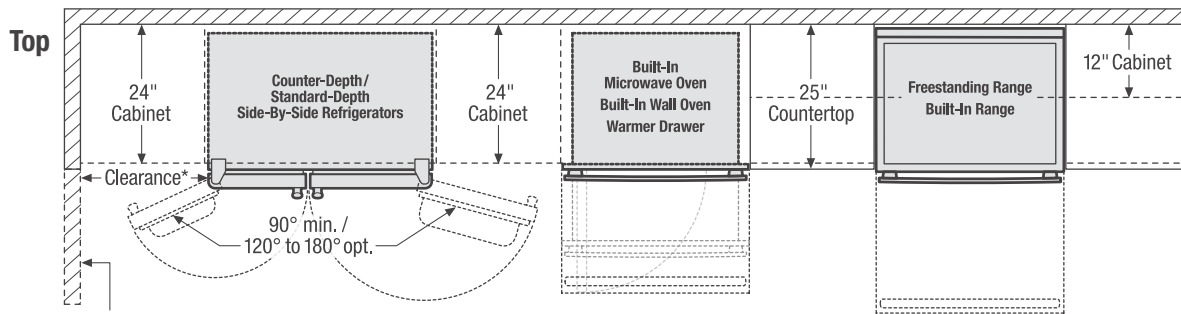
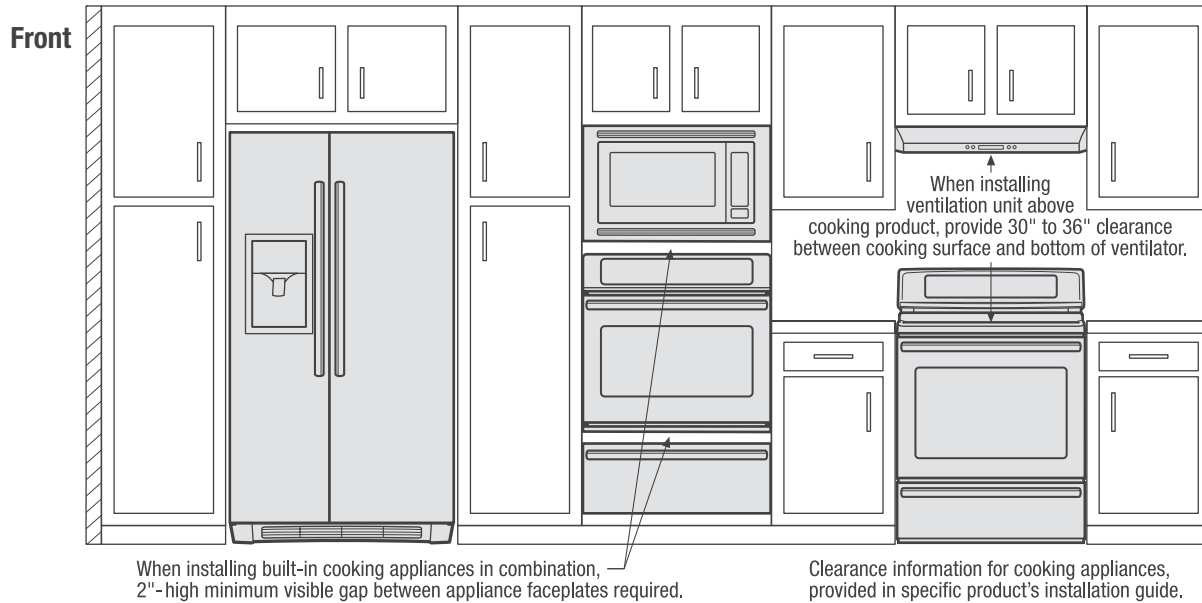
- Recess electrical outlet when possible.
- Water recess on rear wall recommended to prevent water line damage.
- Water Pressure - Cold water line must provide between 30 and 100 pounds per square inch (psi).
- Copper tubing with 1/4" O.D. recommended for water supply line with length equal to distance from rear of unit to household water supply line plus 7 additional feet. Optional Water Supply Installation Kits available.
- Adjustable front rollers to assist with door alignment.

### "Built-In Look" Specifications

- Minimum opening of 70-1/4" H x 36" W x 25" D required to allow for ease of installation, proper air circulation, and plumbing / electrical connections.
- Remove all wall / floor molding prior to installation.

**Note:** For planning purposes only. Refer to Product Installation Guide on the web at [frigidaire.com](http://frigidaire.com) for detailed instructions.

Use these dimensions and clearance instructions for planning purposes only. For detailed installation instructions, refer to installation guide, packed with product, or on the web at [frigidaire.com](http://frigidaire.com).



\*When installing side-by-side refrigerator adjacent to wall, cabinet or another appliance that extends beyond front edge of unit, 20" minimum clearance recommended to allow for optimum 120° to 180° door swing, providing complete drawer/crisper access and removal. (Absolute 4-1/2" minimum clearance will ONLY allow for 90° door swing which will provide limited drawer/crisper access with restricted removal.)

When installing appliance with sliding drawer, swinging or drop-down door directly across from obstructions, provide sufficient clearance for drawer extension or door swings.

