

Frigidaire

Front Load Laundry



From the world's largest manufacturer
of front load laundry.

Frigidaire

Your laundry never looked so good.

From the largest manufacturer of front load laundry, Frigidaire® encompasses contemporary styling that is beautifully designed to fit your lifestyle.

You trust that the iCare Intelligent Fabric Care System™ gently washes and dries your clothes, keeping them looking their best.

By removing the agitator, you can count on the tumble action to wash gently and rinse completely, ensuring your clothes feel fresher and last longer.

With the added capacity and efficiency of front load, you can look forward to spending less of your day doing laundry with up to 82% energy and water consumption savings.

You expect all this from Frigidaire®...and we deliver.
Your laundry never looked so good.

With your commitment to a front load washer you can save up to \$150 and 8,000 gallons of water a year.





Contemporary Styling
Beautifully designed to fit your lifestyle.

iCare™
Intelligent Fabric Care
Gently washes and precisely dries to keep your clothes looking good.

iCare™ Ultra
Intelligent Fabric Care
Gently washes plus a deep clean option and our best drying system to keep your clothes looking their best.

Frigidaire

Tumble Action Washer Features



iWash™ Intelligent Fabric Care
Automatically customizes each laundry load for better stain removal.



iWash™ Ultra Intelligent Fabric Care
Automatically customizes each laundry load plus a deep clean cycle for whiter, brighter, cleaner laundry.



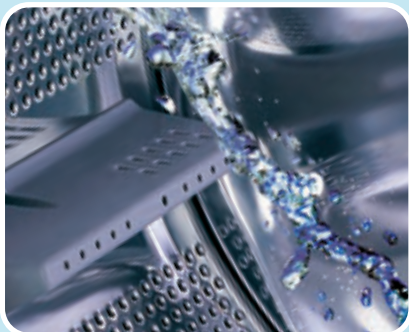
SilentDesign™
Whisper-quiet washing lets you do your laundry where you live.



King-Size Capacity
Wash two baskets of laundry in a single load. Spend less time doing laundry and more time doing the things you love.



Costs Less to Operate
Front load efficiency reduces annual energy and water costs by up to 82%.



Cleaner, Fresher Laundry
Advanced rinse technology incorporates a fresh water rinse for whiter whites, brighter colors and clothing that feels fresher.



Load and Go
Automatically dispenses the precise amount of detergent, bleach and softener at the right time.

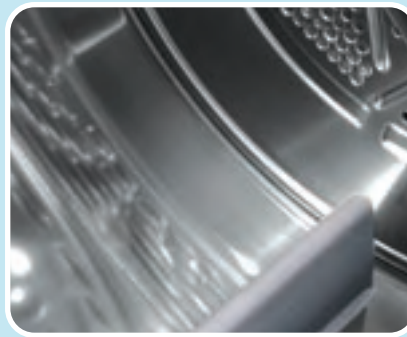


Style Fit For Any Room
From controls to color to configuration, Frigidaire®Affinity™ front load provides intuitive electronics, unique colors and flexible display options.

Tumble Care Dryer Features



iDry™ Intelligent Fabric Care
Moisture sensor system precisely dries clothes for optimal dryness.



iDry™ Ultra Intelligent Fabric Care
The ultrasmooth surface of stainless steel reduces abrasion while providing efficient heat transfer. So your clothes are dried gentler and quicker.



TimeWise™ Technology
The spin cycle is so efficient that wash time equals dry time, so you make fewer trips to the laundry room.



Dryness Selections
Allow for better control over fabric care and the drying process. More Dry, Normal, Less Dry or Damp can be selected. More Dry is ideal for towels while Damp is perfect for items that will be ironed.



Balanced Dry System
Draws large volumes of air through the back of the drum, then distributes it evenly for safe, efficient drying without the "hot spots" that can damage clothes.



Electronic Control Panel
Combines the accuracy of an LED read-out with the convenience of a cycle dial so you can dial in precisely the cycle you need.



Reversible Door
Reverses in minutes to accommodate any installation.

Frigidaire



Frigidaire® Affinity™ ATF8000F E

- King-Size 3.5 Cu. Ft. I.E.C. Capacity
- iCare™ Ultra Intelligent Fabric Care
- iWash™ Ultra Intelligent Fabric Care
- SilentDesign™
- Stainless Steel Wash Drum with Drum Light
- Integral Heater
- Electronic Controls
- Tumble Action Cleaning System
- 7 Wash Cycles
- 4 Auto Temperature Selections
- 5 Wash/Rinse Temperature Selections
- Cycle Status Lights
- On/Off End-of-Cycle Signal
- Heavy/Normal/Light Soil Options
- Advanced Rinse Technology
- Extra Rinse & Extended Spin Auto Options
- 14-Hour Delay Start
- Estimated Time Remaining Indicator
- Press Saver Setting
- Control Lock
- Door Lock Light
- Optional Pedestal APWD15E Available
- Chrome Trim

Black Diamond Finish
with Chrome Trim

Shown with optional pedestal.



Glacier Blue Finish
with Chrome Trim

ATF8000F G

- Optional Pedestal APWD15GB Available



Arctic White Finish
with Chrome Trim

ATF8000F S

- Optional Pedestal APWD15W Available



Black Diamond Finish with Chrome Trim
Shown with optional pedestal.

Frigidaire® Affinity™
AE/GQ8000F E

- 5.8 Cu. Ft. Super Capacity Drum
- iCare™ Ultra Intelligent Fabric Care
- iDry™ Ultra Intelligent Fabric Care
- TimeWise™ Technology
- SilentDesign™
- Electronic Controls
- Tumble Care Drying System
- 7 Auto Dry Cycles
- 5 Temperature Selections
- 90-Minute Timed Dry
- Cycle Status Lights
- On/Off End-of-Cycle Signal
- 4 Dryness Level Selections
- Estimated Time Remaining Indicator
- Auto Press Saver Option
- Precision Dry™ Moisture Sensor
- Auto Shrink Guard Option
- Control Lock
- Interior Drum Light
- Reversible Door
- Quick-Clean Lint Screen
- Clean Lint Filter Indicator
- Drying Rack
- Optional Pedestal APWD15E Available
- Optional Stacking Kit STACKIT3E Available
- Chrome Trim



Glacier Blue Finish with Chrome Trim
AE/GQ8000F G

- Optional Pedestal APWD15GB Available
- Optional Stacking Kit STACKIT3G Available



Arctic White Finish with Chrome Trim
AE/GQ8000F S

- Optional Pedestal APWD15W Available
- Optional Stacking Kit STACKIT3W Available

Frigidaire



Frigidaire® Affinity™ ATF7000F G

- King-Size 3.5 Cu. Ft. I.E.C. Capacity
- iCare™ Ultra Intelligent Fabric Care
- iWash™ Ultra Intelligent Fabric Care
- SilentDesign™
- Stainless Steel Wash Drum with Drum Light
- Integral Heater
- Electronic Controls
- Tumble Action Cleaning System
- 7 Wash Cycles
- 4 Auto Temperature Selections
- 5 Wash/Rinse Temperature Selections
- Cycle Status Lights
- On/Off End-of-Cycle Signal
- Heavy/Normal/Light Soil Options
- Advanced Rinse Technology
- Extra Rinse & Extended Spin Auto Options
- 14-Hour Delay Start
- Estimated Time Remaining Indicator
- Press Saver Setting
- Control Lock
- Door Lock Light
- Optional Pedestal APWD15GB Available

Glacier Blue Finish
with Platinum Trim

Shown with optional pedestal.



Black Diamond Finish
with Platinum Trim

ATF7000F E

- Optional Pedestal
APWD15E Available



Arctic White Finish
with Platinum Trim

ATF7000F S

- Optional Pedestal
APWD15W Available



Glacier Blue Finish
with Platinum Trim
Shown with optional pedestal.

Frigidaire® Affinity™
AE/GQ7000E G

- 5.8 Cu. Ft. Super Capacity Drum
- iCare™ Ultra Intelligent Fabric Care
- iDry™ Ultra Intelligent Fabric Care
- TimeWise™ Technology
- SilentDesign™
- Electronic Controls
- Tumble Care Drying System
- 7 Auto Dry Cycles
- 5 Temperature Selections
- 90-Minute Timed Dry
- Cycle Status Lights
- On/Off End-of-Cycle Signal
- 4 Dryness Level Selections
- Estimated Time Remaining Indicator
- Auto Press Saver Option
- Precision Dry™ Moisture Sensor
- Auto Shrink Guard Option
- Control Lock
- Interior Drum Light
- Reversible Door
- Quick-Clean Lint Screen
- Clean Lint Filter Indicator
- Optional Pedestal APWD15GB Available
- Optional Stacking Kit STACKIT3G Available



Black Diamond Finish
with Platinum Trim
AE/GQ7000E E

- Optional Pedestal APWD15E Available
- Optional Stacking Kit STACKIT3E Available



Arctic White Finish
with Platinum Trim
AE/GQ7000E S

- Optional Pedestal APWD15W Available
- Optional Stacking Kit STACKIT3W Available

Frigidaire



Arctic White Finish
Shown with optional pedestal.

Frigidaire® Affinity™ ATF600F S

- King-Size 3.5 Cu. Ft. I.E.C. Capacity
- iCare™ Intelligent Fabric Care
- iWash™ Intelligent Fabric Care
- Stainless Steel Wash Drum
- Electronic Controls
- Tumble Action Cleaning System
- 7 Wash Cycles
- 4 Auto Temperature Selections
- 5 Wash/Rinse Temperature Selections
- Cycle Status Lights
- On/Off End-of-Cycle Signal
- Heavy/Normal/Light Soil Options
- Advanced Rinse Technology
- Extra Rinse & Extended Spin Auto Options
- 14-Hour Delay Start
- Estimated Time Remaining Indicator
- Press Saver Setting
- Control Lock
- Door Lock Light
- Optional Pedestal APWD15W Available



Arctic White Finish
Shown with optional pedestal.

Frigidaire® Affinity™ AE/GQ600E S

- 5.8 Cu. Ft. Super Capacity Drum
- iCare™ Intelligent Fabric Care
- iDry™ Intelligent Fabric Care
- TimeWise™ Technology
- Electronic Controls
- Tumble Care Drying System
- 7 Auto Dry Cycles
- 5 Temperature Selections
- 90-Minute Timed Dry
- Cycle Status Lights
- 4 Dryness Level Selections
- Estimated Time Remaining Indicator
- Auto Press Saver Option
- Precision Dry™ Moisture Sensor
- Auto Shrink Guard Option
- Control Lock
- Interior Drum Light
- Reversible Door
- Quick-Clean Lint Screen
- Clean Lint Filter Indicator
- Optional Pedestal APWD15W Available
- Optional Stacking Kit STACKIT3W Available



GLTF2940F E

- Optional Pedestal NLPWD15E Available

Gallery Series® GLTF2940F S

- King-Size 3.5 Cu. Ft. I.E.C. Capacity
- Stainless Steel Wash Drum
- Electronic Controls
- Tumble Action Cleaning System
- 14 Wash Cycles
- 3 Auto Temperature Selections
- 4 Wash/Rinse Temperature Selections
- Cycle Status Lights
- On/Off End-of-Cycle Signal
- Heavy/Light Soil Options
- Advanced Rinse Technology
- Extra Rinse & Extra Spin Auto Options
- 12-Hour Delay Start
- Estimated Time Remaining Indicator
- Press Saver Setting
- Control Lock
- Door Lock Light
- Optional Pedestal NLPWD15W Available



GLE/GQ2152E E

- Optional Pedestal NLPWD15E Available
- Optional Stacking Kit STACKIT2E Available

Gallery Series® GLE/GQ2152E S

- 5.8 Cu. Ft. Super Capacity Drum
- Electronic Controls
- Tumble Care Drying System
- 7 Auto Dry Cycles
- 5 Temperature Selections
- 90-Minute Timed Dry
- Cycle Status Lights
- On/Off End-of-Cycle Signal
- 4 Dryness Level Selections
- Estimated Time Remaining Indicator
- Auto Press Saver Option
- Precision Dry™ Moisture Sensor
- Auto Shrink Guard Option
- Control Lock
- Interior Drum Light
- Reversible Door
- Quick-Clean Lint Screen
- Clean Lint Filter Indicator
- Optional Pedestal NLPWD15W Available
- Optional Stacking Kit STACKIT2W Available

Frigidaire



Frigidaire® FTF2140F S

- King-Size 3.5 Cu. Ft. I.E.C. Capacity
- Stainless Steel Wash Drum
- Electronic Controls
- Tumble Action Cleaning System
- 10 Wash Cycles
- 4 Wash/Rinse Temperature Selections
- Cycle Status Lights
- On/Off End-of-Cycle Signal
- Heavy Soil/Stain Option
- Advanced Rinse Technology
- Extra Rinse & Extra Spin Auto Options
- 8-Hour Delay Start
- Control Lock
- Door Lock Light
- Optional Pedestal NLPWD15W Available



Frigidaire® FE/GQ1442E S

- 5.8 Cu. Ft. Super Capacity Drum
- Tumble Care Drying System
- 7 Dry Cycles
- 4 Temperature Selections
- Timed Dry Cycles
- 90-Minute Timed Dry
- Cycle Status Lights
- On/Off End-of-Cycle Signal
- 4 Dryness Level Selections
- Auto Press Saver Option
- Precision Dry™ Moisture Sensor
- Control Lock
- Interior Drum Light
- Reversible Door
- Quick-Clean Lint Screen
- Clean Lint Filter Indicator
- Optional Pedestal NLPWD15W Available
- Optional Stacking Kit STACKIT2W Available



Frigidaire® FTF530F S

- Extra-Large 3.1 Cu. Ft. I.E.C. Capacity
- Stainless Steel Wash Drum
- Tumble Action Cleaning System
- 5 Cycles
- 3 Wash/Rinse Temperature Selections
- Light Wash Cycle
- Heavy Wash Cycle
- Variable End-of-Cycle Signal
- Extra Rinse Auto Option
- Door Lock Light
- Optional Pedestal FPDW1 Available



Frigidaire® FE/GQ332E S

- 5.7 Cu. Ft. Super Capacity Drum
- Tumble Care Drying System
- 4 Auto Dry Cycles
- 3 Temperature Selections
- Timed Dry Cycles
- 80-Minute Timed Dry
- On/Off End-of-Cycle Signal
- Cool Down Setting
- Precision Dry™ Moisture Sensor
- Interior Drum Light
- Turn-to-Start Knob
- Reversible Door
- Quick-Clean Lint Screen
- Optional Pedestal FPDW1 Available
- Stacking Hardware Included

Frigidaire

Front Load Laundry Installation Options



Leave It

The front load washer and dryer can be installed as freestanding laundry units in the traditional configuration, which fits virtually any space, including where your top load fits today.



Stow It

The front load laundry pair is ideal for use in an under-counter configuration which creates valuable work space in your laundry area.



Raise It

The front load washer and dryer can be raised on pedestals for additional storage space that's large enough to store upright laundry bottles and strong enough to support a laundry basket for easy loading and unloading.



Hide It

Stacking the front load washer and dryer is easy and convenient. Stacking it inside a closet or custom cabinetry makes it invisible. It's an ideal solution for condominiums, apartments or other smaller spaces.



Stack It

Pair the front load washer with its perfect-match dryer. Stack them together to create a convenient space-saving configuration using the stacking kit.



Double It

Two, side-by-side, stacked washer and dryer pairs require no additional floor space and double your laundry capacity which allows you more time to do the things you love.



Gallery Series® GLE/GH1642F S

Washer

- Extra-Large 3.1 Cu. Ft. I.E.C. Capacity
- Stainless Steel Wash Drum
- Tumble Action Cleaning System
- 5 Cycles
- 4 Wash/Rinse Temperature Selections
- Light Wash Cycle
- Heavy Wash Cycle
- Variable End-of-Cycle Signal
- Extra Rinse Auto Option
- Door Lock Light

Dryer

- 5.7 Cu. Ft. Super Capacity Dryer
- Stainless Steel Dryer Drum
- Balanced Dry System
- 4 Auto Dry Cycles
- 4 Temperature Selections
- Timed Dry Cycles
- 80-Minute Timed Dry
- End-of-Cycle Signal
- Press Saver Option
- Precision Dry™ Moisture Sensor
- Cool Down Setting
- Interior Drum Light
- Quick-Clean Lint Screen
- Drying Rack
- Turn-to-Start Knob

Frigidaire

Accessories



Universal Dryer Cord

Has both 3- and 4-wire, closed eyelet cords available. 30-amp capacity and UL listed. Easy and safe to hook up. Fits most major brands (4', 3-wire cord shown). **53090-1010**



Universal Dryer-to-Vent Hood

Installation requires no tools, clamps, or tape. Fire-resistant, semi-rigid aluminum. Fits most major manufacturer brands. Measures 8' long and 4" in diameter. **55303310255**



6' Stainless Steel Washer Fill Hose

Makes installation a snap. Can be used with both hot and cold water. Fits all washers and includes rubber washers. Order two for complete installation. **5304416562**



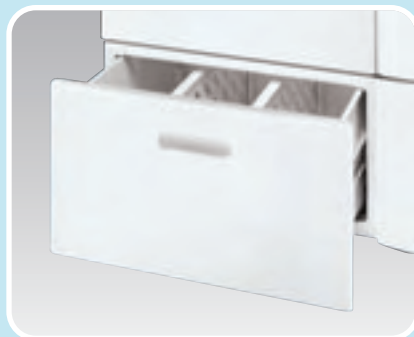
12" Riser Pedestal

Raise your front load washer and dryer units off the floor for easier access. **FPDW1**



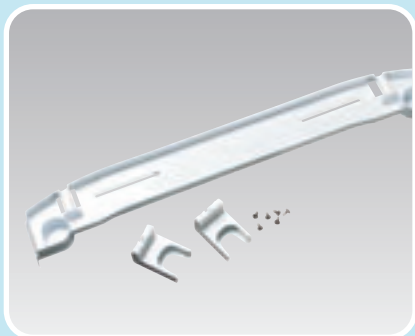
15" Drawer Pedestal

Eliminates stooping to load and unload your laundry. Slide-out drawer for extra laundry room storage.
NLPWD15W - White
NLPWD15E - Black



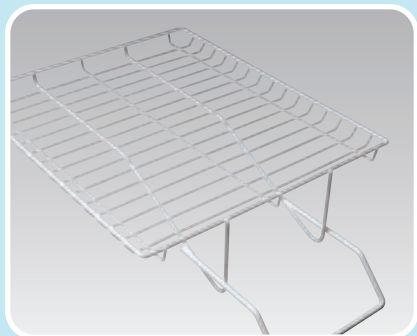
Frigidaire® Affinity™ 15" Drawer Pedestal

Drawer creates additional storage space and is strong enough to support a laundry basket. Color-coordinated to match laundry unit.
APWD15W - Arctic White Finish
APWD15GB - Glacier Blue Finish
APWD15E - Black Diamond Finish



Stack-It Kit

Easy-to-use stacking kit saves valuable floor space by conveniently attaching the dryer to the top of the washer.
STACKIT2W - White
STACKIT2E - Black
STACKIT3W - Arctic White Finish
STACKIT3G - Glacier Blue Finish
STACKIT3E - Black Diamond Finish



Drying Rack

Dry wet shoes quickly without all the banging and dry delicates without all the tumble action.
DRFS - fits 27" freestanding units built prior to 1996.
DRLC - fits 27" laundry center with lint screen below the door opening.
DRFSB - 14" x 16" x 1/4" rack fits units built in 1996 and after.

TUMBLE ACTION WASHERS

Models	ATF8000F	ATF7000F	ATF6000F	GLTF2940F	FTF2140F	FTF530F
Series	Frigitraire® Affinity™	Frigitraire® Affinity™	Frigitraire® Affinity™	Gallery	Frigitraire	Frigitraire
Features						
Control Location	Front Console	Front Console	Front Console	Front Console	Front Console	Front Console
Capacity I.E.C.	King-Size	King-Size	King-Size	King-Size	King-Size	Extra Large
Drum Size (Cubic Feet)	3.5	3.5	3.5	3.5	3.5	3.1
Cycles	7	7	7	14	10	5
Integral Heater
Wash/ Rinse Temperature Combinations	5	5	5	4-Rotary	4	3-Rotary
Automatic Temperature Control
Water Level Adjustment	Automatic	Automatic	Automatic	Automatic	Automatic	Automatic
Wash/ Spin Speed Combinations	4/5	4/5	4/5	3/5	3/4	1/2
Rotation Speeds (RPM)	48/52	48/52	48/52	32/47/55	32/47/55	52
Spin Speeds (RPM)	1100	1100	1050	1050-0	950-0	650-900
Auto Bleach Dispenser (Liquid Only)
Auto Detergent Dispenser (Liquid/Powder)
Auto Fabric Softener Dispenser
Stainless Steel Wash Drum
Installation Options						
Freestanding
Under Counter
Stacked (Under Dryer)
Pedestal
Hidden (In Closet)
Dimensions						
WxHxD (Not Including Hose)	27" x 36" x 27"	27" x 36" x 27"	27" x 36" x 27"	27" x 36" x 27-3/4"	27" x 36" x 27-3/4"	26-3/4" x 36" x 29-1/4"
Unit Weight/ Gross Weight	205/220 Lbs.	205/220 Lbs.	205/220 Lbs.	204/217 Lbs.	204/217 Lbs.	195/218 Lbs.
Electrical Requirements	120 V/1000 W	120 V/1000 W	120 V	120 V/60 Hz	120 V/60 Hz	120 V/60 Hz
Color/UPC (0-12505-)						
Arctic White Finish (S)			37676-4			
Arctic White Finish/Chrome Trim (S)	37752-5					
Arctic White Finish/Platinum Trim (S)		37680-1				
Black Diamond Finish/Chrome Trim (E)	37756-3					
Black Diamond Finish/Platinum Trim (E)		37694-8				
Glacier Blue Finish/Chrome Trim (G)	37757-0					
Glacier Blue Finish/Platinum Trim (G)		37693-1				
White (S)				37691-7	37683-2	37552-1
Black (E)				37673-3		

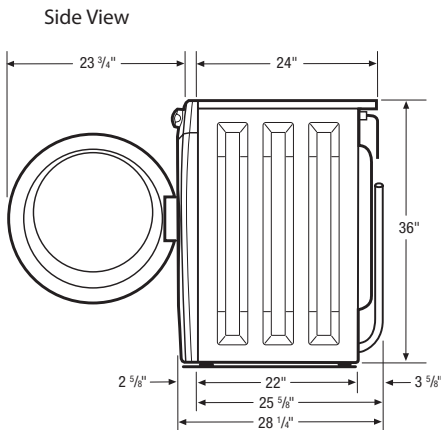


- White
- Arctic White
- Black
- Black Diamond
- Glacier Blue

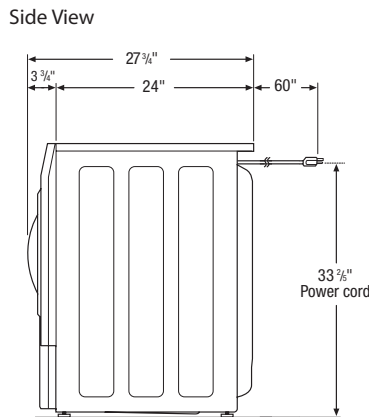
INSTALLATION

The following dimension and cutout information is for planning purposes only. For complete installation details consult manual packed with product, or download manual at Customer Service, online at frigidaire.com.

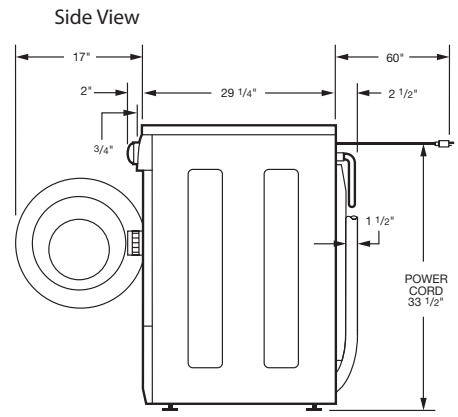
Models: ATF8000F, ATF7000F and ATF6000F



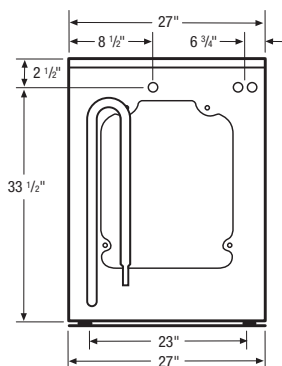
Models: GLTF2940F and FTF2140F



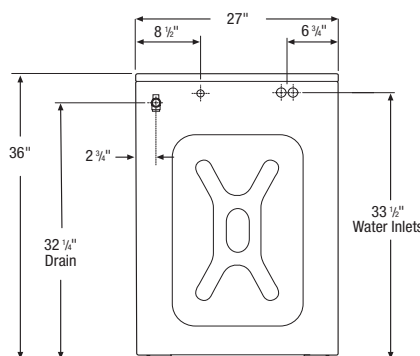
Model: FTF530F



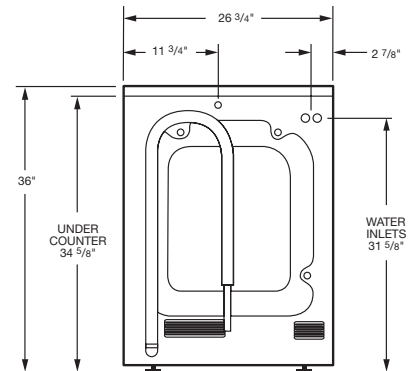
Rear View



Rear View



Rear View



Specifications subject to change.

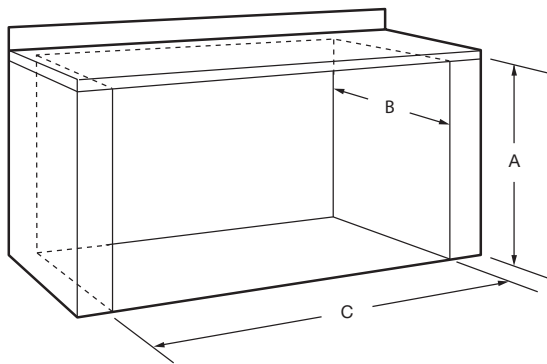
TUMBLE CARE SUPER CAPACITY DRYERS

Models	AE/GQ8000F	AE/GQ7000E	AE/GQ6000E	GLE/GQ2152E	FE/GQ1442E	FE/GQ332E
Series	Frigidaire® Affinity™	Frigidaire® Affinity™	Frigidaire® Affinity™	Gallery	Frigidaire	Frigidaire
Features						
Control Location	Front Console	Front Console	Front Console	Front Console	Front Console	Front Console
Capacity (Cubic Feet)	5.8	5.8	5.8	5.8	5.8	5.7
Auto Dry Cycles	7	7	7	7	7	4
Temperature Options	5	5	5	5	4	3-Rotary
Precision Dry™ Moisture Sensor	•	•	•	•	•	•
Reversible Door	•	•	•	•	•	•
Total Front Serviceability	•	•	•	•	•	•
Installation Options						
Freestanding	•	•	•	•	•	•
Under Counter	•	•	•	•	•	•
Stacked (Over Washer)	•	•	•	•	•	•
Pedestal	•	•	•	•	•	•
Hidden (In Closet)	•	•	•	•	•	•
Specifications						
Tumbling Speed (RPM)	48/52	48/52	48/52	50	50	50
WxH (Incl. Feet) xD (Incl. Door and Hose)	27" x 36" x 28-1/4"	27" x 36" x 28-1/4"	27" x 36" x 28-1/4"	27" x 36" x 28-1/2"	27" x 36" x 28-1/2"	26-7/8" x 36" x 27-1/2"
Electric Unit Weight/Gross Weight	150/165 Lbs.	150/165 Lbs.	150/165 Lbs.	105/118 Lbs.	105/118 Lbs.	97/114 Lbs.
Gas Unit Weight/Gross Weight	150/165 Lbs.	150/165 Lbs.	150/165 Lbs.	120/133 Lbs.	120/133 Lbs.	97/114 Lbs.
Electrical Requirements						
Electric Models – Volts	120/240	120/240	120/240	120/240, 120/208	120/240, 120/208	120/240, 120/208
Electric Models – Amps/Hertz	30/60	30/60	30/60	30/60	30/60	30/60
Electric Heating Element @ 240V (Watts)	4500	4500	4500	4500	4500	4500
Gas Models – Volts/Amps/Hertz	(120/240)/30/60	(120/240)/30/60	(120/240)/30/60	120/15/80	120/15/80	120/15/80
Gas Heating Element BTU/HR	20,000	20,000	20,000	20,000	20,000	20,000
Attached Power Cord	•	•	•	120V, 15A	120V, 15A	120V, 15A
Color/UPC – Electric (0-12505-)						
Arctic White Finish (S)			37490-6			
Arctic White Finish/Chrome Trim (S)	37758-7					
Arctic White Finish/Platinum Trim (S)		37489-0				
Black Diamond Finish/Chrome Trim (E)	37760-0					
Black Diamond Finish/Platinum Trim (E)		37550-7				
Glacier Blue Finish/Chrome Trim (G)	37759-4					
Glacier Blue Finish/Platinum Trim (G)		37515-6				
White (S)				36403-6	37382-4	37439-5
Black (E)				37547-7		
Color/UPC – Gas (0-12505-)						
Arctic White Finish (S)			37492-0			
Arctic White Finish/Chrome Trim (S)	37763-1					
Arctic White Finish/Platinum Trim (S)		37491-3				
Black Diamond Finish/Chrome Trim (E)	37762-4					
Black Diamond Finish/Platinum Trim (E)		37551-4				
Glacier Blue Finish/Chrome Trim (G)	37761-7					
Glacier Blue Finish/Platinum Trim (G)		37517-0				
White (S)				37404-3	37386-2	37440-1
Black (E)				37548-4		



INSTALLATION OPTIONS

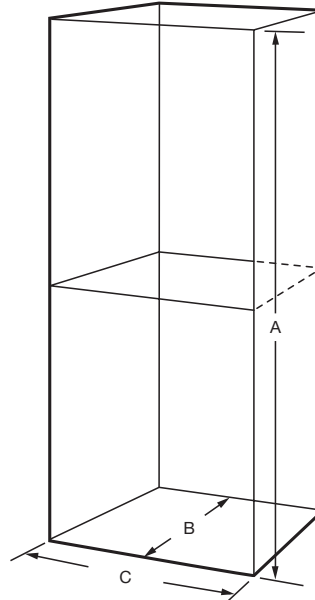
The following dimension and cutout information is for planning purposes only. For complete installation details consult manual packed with product, or download manual at Customer Service, online at frigidaire.com.



Under-Counter Installation*

Washer	A	B	C	Dryer	A	B	C
	Min.	Min.	Min.		Min.	Min.	Min.
ATF8000F	36-1/8"	26-1/2"	54-1/2"	AE/GQ8000F	36-1/8"	26-1/2"	54-1/2"
ATF7000F	36-1/8"	26-1/2"	54-1/2"	AE/GQ7000E	36-1/8"	26-1/2"	54-1/2"
ATF6000F	36-1/8"	26-1/2"	54-1/2"	AE/GQ6000E	36-1/8"	26-1/2"	54-1/2"
GLTF2940F	36-1/8"	26-1/2"	54-1/2"	GLE/GQ2152E	36-1/8"	26-1/2"	54-1/2"
FTF2140F	36-1/8"	26-1/2"	54-1/2"	FE/GQ1442E	36-1/8"	26-1/2"	54-1/2"
FTF530F	34-5/8"	27-3/4"	54-1/2"	FE/GQ332E	34-5/8"	27-3/4"	54-1/2"

*Dimensions for "Rough-In" layout only



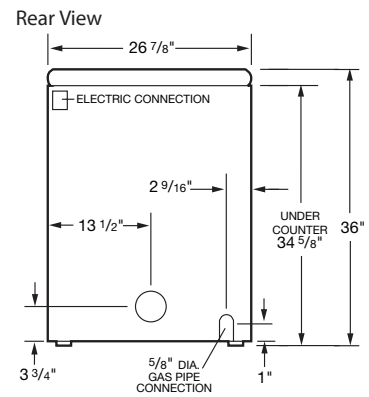
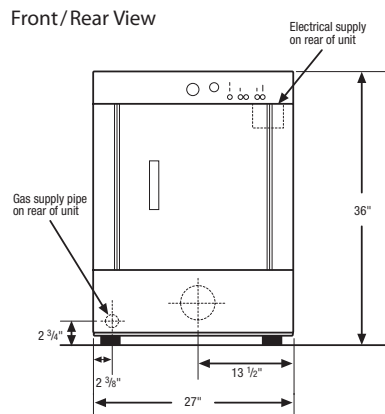
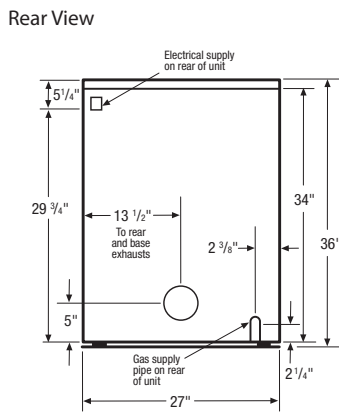
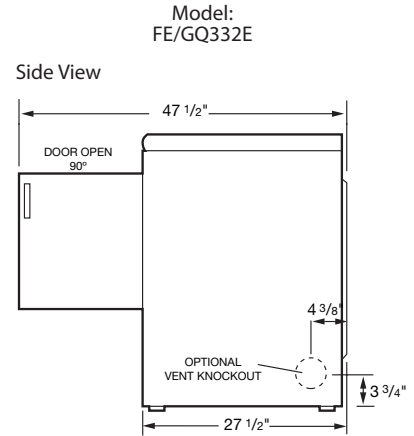
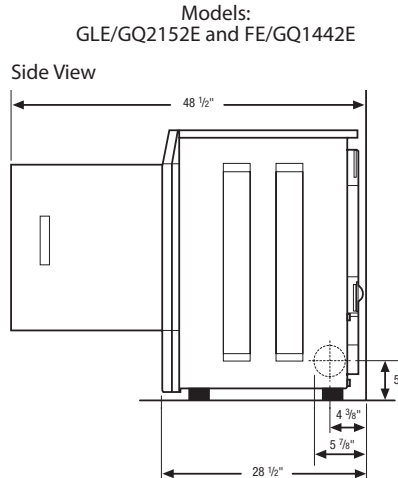
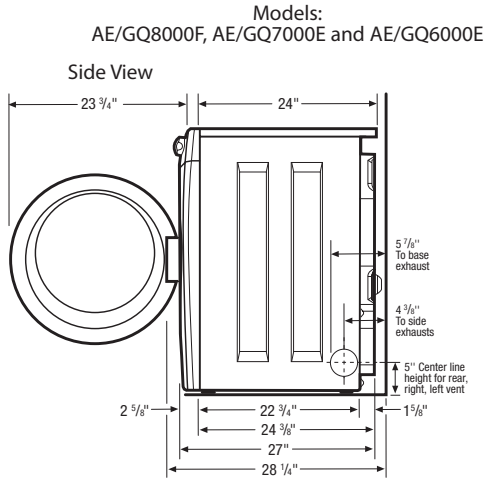
Hidden Installation*

Washer	A	B	C
	Min.	Min.	Min.
ATF8000F	72-1/2"	29-3/4"	27-1/2"
ATF7000F	72-1/2"	29-3/4"	27-1/2"
ATF6000F	72-1/2"	29-3/4"	27-1/2"
GLTF2940F	72-1/2"	29-3/4"	27-1/2"
FTF2140F	72-1/2"	29-3/4"	27-1/2"
FTF530F	72-1/2"	29-3/4"	27-1/2"
Dryer	A	B	C
	Min.	Min.	Min.
AE/GQ8000F	72-1/2"	29-3/4"	27-1/2"
AE/GQ7000E	72-1/2"	29-3/4"	27-1/2"
AE/GQ6000E	72-1/2"	29-3/4"	27-1/2"
GLE/GQ2152E	72-1/2"	29-3/4"	27-1/2"
FE/GQ1442E	72-1/2"	29-3/4"	27-1/2"
FE/GQ332E	72-1/2"	29-3/4"	27-1/2"

*Dimensions for "Rough-In" layout only

INSTALLATION

The following dimension and cutout information is for planning purposes only. For complete installation details consult manual packed with product, or download manual at [Customer Service, online at frigidaire.com](http://frigidaire.com).



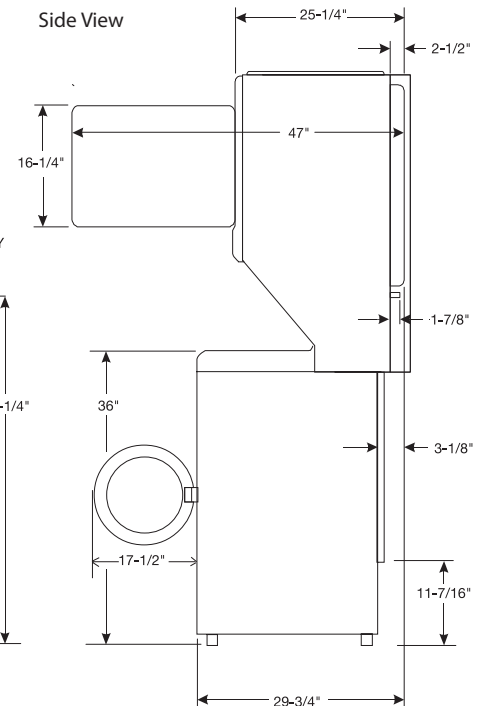
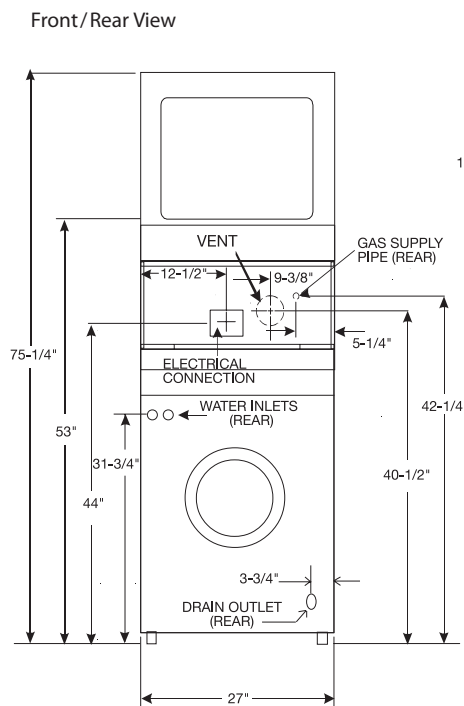
LAUNDRY CENTER

Models	GLE/GH1642F
Series	Gallery
Washer Features	
Capacity I.E.C. (Cubic Feet)	3.1
Cycles	5
Wash/Rinse Temperature Combinations	4-Rotary
Motor Speeds	2
Heavy-Duty Motor (HP)	3/4
Agitate Speeds (Strokes/Min.)	35/52
Spin Speeds (RPM)	450/650/850/950
Dryer Features	
Capacity (Cubic Feet)	5.7
Auto Dry Cycles	4
Temperature Options	4-Rotary, 1 In-Timer
Precision Dry™ Moisture Sensor	-
Motor Size (HP)	1/4
Tumbling Speed (RPM)	50
CFM Airflow	200
Attached Power Cord	120V, 15A
Specifications	
Dimensions - WxHxD	27" x 75-1/4" x 29-3/4"
Unit Weight/Gross Weight	310/331 Lbs.
Electrical Requirements	
Electric Models - Volts	120/240, 120/208
Electric Models - Amps/Hertz	30/60
Electric Heating Element @ 240V (Watts)	4500
Gas Models - Volts/Amps/Hertz	120/15/60
Gas Heating Element BTU/HR	20,000
Color/UPC - Electric (0-12505-)	
White (S)	37636-8
Color/UPC - Gas (0-12505-)	
White (S)	37637-5



INSTALLATION

The following dimension and cutout information is for planning purposes only. For complete installation details consult manual packed with product, or download manual at [Customer Service, online at frigidaire.com](http://frigidaire.com).





LIMITED ONE-YEAR WARRANTY

This warranty does not cover the following:

- Products with original serial numbers that have been removed, altered or cannot be readily determined.
- Product that has been transferred from its original owner to another party or removed outside the USA or Canada.
- Rust on the interior or exterior of the unit.
- Products purchased "as-is" are not covered by this warranty.
- Food loss due to any refrigerator or freezer failures.
- Products used in a commercial setting.
- Service calls which do not involve malfunction or defects in materials or workmanship, or for appliances not in ordinary household use or used other than in accordance with the provided instructions.
- Service calls to correct the installation of your appliance or to instruct you how to use your appliance.
- Expenses for making the appliance accessible for servicing, such as removal of trim, cupboards, shelves, etc., which are not a part of the appliance when it is shipped from the factory.
- Service calls to repair or replace appliance light bulbs, air filters, water filters, other consumables, or knobs, handles, or other cosmetic parts.
- Surcharges including, but not limited to, any after hour, weekend, or holiday service calls, tolls, ferry trip charges, or mileage expense for service calls to remote areas, including the state of Alaska.
- Damages to the finish of appliance or home incurred during installation, including but not limited to floors, cabinets, walls, etc.
- Damages caused by: services performed by unauthorized service companies; use of parts other than genuine Electrolux parts or parts obtained from persons other than authorized service companies; or external causes such as abuse, misuse, inadequate power supply, accidents, fires, or acts of God.

DISCLAIMER OF IMPLIED WARRANTIES; LIMITATION OF REMEDIES

Customer's sole and exclusive remedy under this limited warranty shall be product repair or replacement as provided herein. Claims based on implied warranties, including warranties of merchantability or fitness for a particular purpose, are limited to one year or the shortest period allowed by law, but not less than one year. Electrolux shall not be liable for consequential or incidental damages such as property damage and incidental expenses resulting from any breach of this written limited warranty or any implied warranty. Some states and provinces do not allow the exclusion or limitation of incidental or consequential damages, or limitations on the duration of implied warranties, so these limitations or exclusions may not apply to you. This written warranty gives you specific legal rights. You may also have other rights that vary from state to state.

IF YOU NEED SERVICE

Keep your receipt, delivery slip, or some other appropriate payment record to establish the warranty period should service be required. If service is performed, it is in your best interest to obtain and keep all receipts. Service under this warranty must be obtained by contacting Electrolux at the addresses or phone numbers below. Your appliance is covered by a one year limited warranty. For one year from your original date of purchase, Electrolux will pay all costs for repairing or replacing any parts of this appliance that prove to be defective in materials or workmanship when such appliance is installed, used, and maintained in accordance with the provided instructions. This warranty only applies in the USA and Canada. In the USA, your appliance is warranted by Electrolux Major Appliances North America, a division of Electrolux Home Products, Inc. In Canada, your appliance is warranted by Electrolux Canada Corp. Electrolux authorizes no person to change or add to any obligations under this warranty. Obligations for service and parts under this warranty must be performed by Electrolux or an authorized service company. Product features or specifications as described or illustrated are subject to change without notice.

USA

Electrolux Major Appliances, North America

250 Bobby Jones Expressway
Martinez, GA 30907
1-800-FRIGIDAIRE
frigidaire.com

CANADA

Electrolux Canada Corporation

5855 Terry Fox Way
Mississauga, ON L5V 3E4
1-800-668-4606



Every Frigidaire® appliance is backed by the global strength of the Electrolux Group, the world's largest manufacturer of kitchen and cleaning appliances.