

Frigidaire

Slide-In/Drop-In Ranges



Frigidaire

Hot performance.

When it comes to cooking, you've come to count on Frigidaire® for performance that blends with your personal style.

So you won't be surprised that our Dual-Fuel ranges fit seamlessly with your cabinetry while offering a feast of cooking options.

You'll count on our EvenCook³™ Convection System to cook juicy, evenly browned foods even while baking on multiple racks.

With Speed Clean/Maxx Clean,™ you'll appreciate the flexibility of having to spend a third less time cleaning light oven soils or having 25% more power for heavy-duty cleaning.

You'll relish in the power of our Power Plus™ 16,000 BTU high-output burner and delight in the high visibility of our extra-large Visualite® clear glass oven window.

You expect all this from Frigidaire®...and we deliver.



Dual-Fuel Range Features



Deep Sump Cooktop with Continuous Grate System
Create a countertop-level cooking surface that makes maneuvering oversized or heavy pots and pans a snap.



High-Output Sealed Power Burners
With a 16,000 BTU Power Plus™ Burner and 14,000 and 12,000 BTU Power Burners, our ranges provide a wide variety of heating options for large pots and pans.



EvenCook3™ Element Convection System
With a third heating element surrounding the fan, the European-designed system helps eliminate temperature fluctuations for foods that are juicier and more evenly browned.



Speed Clean / Maxx Clean™
For light cleaning, Speed Clean reduces cleaning time by 33%. For heavier soils, Maxx Clean™ increases cleaning power by 25%.



Warm & Serve® Drawer
Designed to keep hot food hot until you're ready to serve your entire meal, our warming drawers are suitable for prepared dinner plates, breads, pastries and pies.



SpeedBake® Convection System
With a touch of a switch, the SpeedBake® Convection System cooks 30% faster than conventional ovens and is designed to provide premium performance at a modest price.



Extra-Large Visualite® Window
Now you can check cooking progress without opening the oven door, thanks to a clear glass window that's 87% larger than the standard window. (Available with select high-end models.)



Star-K Kosher Certification
Your assurance that select oven models feature the Sabbath mode in keeping with kosher cooking practices.

Frigidaire



Professional Series®

PLCS389E C

- 4.2 Cu. Ft. Electric Self-Cleaning Oven with Auto-Latch™ Safety Lock
- EasySet™ 510 Electronic Oven Control with Keypad Entry and Integrated Warmer Drawer Control
- EasyCare™ Genuine Stainless Steel
- Stainless Steel Control Panel
- Slim-Profile, Stainless Steel Door with Extra-Large, Clear Glass Visualite® Window
- UltraPro Stainless Steel Handles
- Deep Sump, Black Porcelain Cooktop
- 1-16,000 BTU Power Plus™ Burner
- 1-14,000 BTU Power Burner
- 1-9,500 BTU Burner
- 1-5,000 BTU Burner with 675 BTU Low Simmer
- Full-Surface, 3-Piece, Cast Iron Grates and Caps with Pro Matte Finish
- Convection Convert
- Speed Clean/Maxx Clean™
- EvenCook™ Element Convection System
- Dual Radiant™ Baking System
- 3400W Bake/2750W Broil
- Vari-Broil™ - 400° to 550°
- Hidden Bake Element
- 3 Heavy-Duty and 1 Convection Roasting Racks
- 2 Oven Lights (Automatic & Integrated)
- 1.6 Cu. Ft. Warm & Serve® Drawer with Half Rack, Stainless Steel Drawer Front and Handle
- Electronic Clock/Countdown Timer
- Sabbath Mode (Star-K Certified)





Gallery Series® GLCS389F S/Q/B

- 4.2 Cu. Ft. Electric Self-Cleaning Oven with Auto-Latch™ Safety Lock
- EasySet™ 510 Electronic Oven Control with Keypad Entry and Integrated Warmer Drawer Control
- Color-Coordinated Control Panel
- Slim-Profile, Color-Coordinated Glass Door with Large, Clear Glass Visualite® Window
- UltraPro Color-Coordinated Steel Handles
- Deep Sump, Color-Coordinated Porcelain Cooktop
- 1 - 16,000 BTU Power Plus™ Burner
- 1 - 14,000 BTU Power Burner
- 1 - 9,500 BTU Burner
- 1 - 5,000 BTU Burner with 675 BTU Low Simmer
- Full-Surface, 3-Piece, Cast Iron Grates and Caps
- Convection Convert
- Speed Clean/Maxx Clean™
- EvenCook™ Element Convection System
- Dual Radiant™ Baking System
- 3400W Bake/2750W Broil
- Vari-Broil™ - 400° to 550°
- Hidden Bake Element
- 3 Heavy-Duty and 1 Convection Roasting Racks
- 2 Oven Lights (Automatic & Integrated)
- 1.6 Cu. Ft. Warm & Serve® Drawer with Half Rack, Color-Coordinated Porcelain Drawer Front and Handle
- Electronic Clock/Countdown Timer
- Sabbath Mode (Star-K Certified)
- Available in White, Bisque or Black



Frigidaire® FCS366E C

- 4.2 Cu. Ft. Electric Self-Cleaning Oven with Auto-Latch™ Safety Lock
- EasySet™ 350 Electronic Oven Control
- EasyCare™ Genuine Stainless Steel
- Stainless Steel Control Panel
- Slim-Profile, Stainless Steel Door with Extra-Large, Clear Glass Visualite® Window
- UltraSoft™ Black Handles
- Deep Sump, Black Porcelain Cooktop
- 1 - 16,000 BTU Power Plus™ Burner
- 1 - 12,000 BTU Power Burner
- 1 - 9,500 BTU Burner
- 1 - 5,000 BTU Burner with 675 BTU Low Simmer
- Full-Surface, 3-Piece, Cast Iron Grates and Caps with Matte Finish
- Speed Clean
- SpeedBake® Convection System
- Dual Radiant™ Baking System
- 3400W Bake/2750W Broil
- Vari-Broil™ - 2 Position (Hi/Lo)
- 2 Oven Racks
- Oven Light (Automatic & Integrated)
- Storage Drawer with Extendable Glides, Stainless Steel Drawer Front and Handle
- Electronic Clock/Countdown Timer





Professional Series® products

Counter-Depth Refrigerator PHSC39EHSS

Electric Slide-In Range PLES389EC

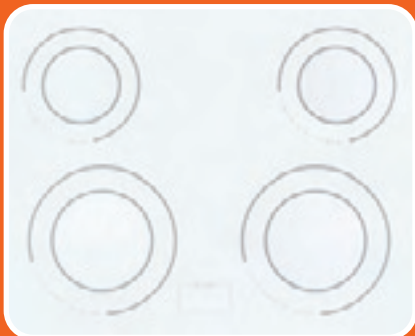
Wall-Mount Vent Hood PL36WC40EC

Dishwasher PLD4555RFC



Frigidaire

Electric Range Features



QuadMaxx™

A ceramic smoothtop cooking surface with four expandable elements, QuadMaxx™ provides precisely the right heat regardless of pan size.



Precision Set™ Electronic Surface Controls

From simmer to boil, experience the complete and accurate control that is the latest innovation in electric surface cooking.



Hidden Bake Element

A tapered, porcelain plate protects the lower heating element of the oven, making cleanup easier and safer.



EvenCook3™ Element Convection System

With a third heating element surrounding the fan, the European-designed system helps eliminate temperature fluctuations for foods that are juicier and more evenly browned.



Convection Convert

Automatically converts conventional cook temperatures to convection temperatures, eliminating guesswork.



Warm & Serve® Drawer

Designed to keep hot food hot until you're ready to serve your entire meal, our warming drawers are suitable for prepared dinner plates, breads, pastries and pies.



SpeedBake® Convection System

With a touch of a switch, the SpeedBake® Convection System cooks 30% faster than conventional ovens and is designed to provide premium performance at a modest price.



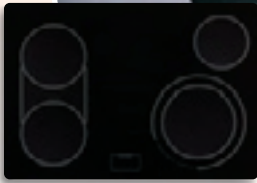
Extra-Large Visualite® Window

Now you can check cooking progress without opening the oven door, thanks to a clear glass window that's 87% larger than the standard window. (Available with select high-end models.)



Star-K Kosher Certification

Your assurance that select oven models feature the Sabbath mode in keeping with kosher cooking practices.



Professional Series® PLES399E C

- 4.2 Cu. Ft. Self-Cleaning Oven with Auto-Latch™ Safety Lock
- EasySet™ 510 Electronic Oven Control with Keypad Entry and Integrated Warmer Drawer Control
- EasyCare™ Genuine Stainless Steel
- Stainless Steel Control Panel
- Slim-Profile, Stainless Steel Door with Extra-Large, Clear Glass Visualite® Window
- UltraPro Stainless Steel Handles
- Ceramic Smoothtop Cooking Surface
- 1-7"/7" Bridge Element
- 1-9" to 12" Expandable Element
- 1-6" Radiant Element
- 4 Hot-Surface Indicator Lights
- Precision Set™ Electronic Surface Element Controls
- Convection Convert
- Speed Clean/Maxx Clean™
- EvenCook3™ Element Convection System
- Dual Radiant™ Baking System
- 3400W Bake/2750W Broil
- Vari-Broil™- 400° to 550°
- Hidden Bake Element
- 3 Heavy-Duty and 1 Convection Roasting Racks
- 2 Oven Lights (Automatic & Integrated)
- 1.6 Cu. Ft. Warm & Serve® Drawer with Half Rack, Stainless Steel Drawer Front and Handle
- Electronic Clock/Countdown Timer
- Sabbath Mode (Star-K Certified)



Professional Series® PLES389E C

- 4.2 Cu. Ft. Self-Cleaning Oven with Auto-Latch™ Safety Lock
- EasySet™ 510 Electronic Oven Control with Keypad Entry and Integrated Warmer Drawer Control
- EasyCare™ Genuine Stainless Steel
- Stainless Steel Control Panel
- Slim-Profile, Stainless Steel Door with Extra-Large, Clear Glass Visualite® Window
- UltraPro Stainless Steel Handles
- Ceramic Smoothtop Cooking Surface
- QuadMaxx™ Expandable Elements
- 2-5" to 7" Expandable Elements
- 2-6" to 9" Expandable Elements
- 4 Hot-Surface Indicator Lights
- Precision Set™ Electronic Surface Element Controls
- Convection Convert
- Speed Clean/Maxx Clean™
- EvenCook3™ Element Convection System
- Dual Radiant™ Baking System
- 3400W Bake/2750W Broil
- Vari-Broil™- 400° to 550°
- Hidden Bake Element
- 3 Heavy-Duty and 1 Convection Roasting Racks
- 2 Oven Lights (Automatic & Integrated)
- 1.6 Cu. Ft. Warm & Serve® Drawer with Half Rack, Stainless Steel Drawer Front and Handle
- Electronic Clock/Countdown Timer
- Sabbath Mode (Star-K Certified)

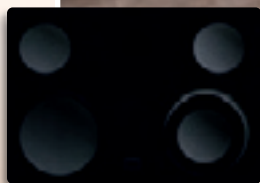


Frigidaire



Gallery Series® GLES389F S/B

- 4.2 Cu. Ft. Self-Cleaning Oven with Auto-Latch™ Safety Lock
- EasySet™ 510 Electronic Oven Control with Keypad Entry and Integrated Warmer Drawer Control
- Color-Coordinated Control Panel
- Slim-Profile, Color-Coordinated Glass Door with Large, Clear Glass Visualite® Window
- UltraPro Color-Coordinated Steel Handles
- ColorMatch™ Ceramic Smoothtop Cooking Surface
- QuadMaxx™ Expandable Elements
- 2-5" to 7" Expandable Elements
- 2-6" to 9" Expandable Elements
- 4 Hot-Surface Indicator Lights
- Precision Set™ Electronic Surface Element Controls
- Convection Convert
- Speed Clean/Maxx Clean™
- EvenCook3™ Element Convection System
- Dual Radiant™ Baking System
- 3400W Bake/2750W Broil
- Vari-Broil™- 400° to 550°
- Hidden Bake Element
- 3 Heavy-Duty and 1 Convection Roasting Racks
- Oven Light (Automatic & Integrated)
- 1.6 Cu. Ft. Warm & Serve® Drawer with Half Rack, Color-Coordinated Porcelain Drawer Front and Handle
- Electronic Clock/Countdown Timer
- Sabbath Mode (Star-K Certified)
- Available in White or Black



Frigidaire® FES366E C

- 4.2 Cu. Ft. Self-Cleaning Oven with Auto-Latch™ Safety Lock
- EasySet™ 350 Electronic Oven Control
- EasyCare™ Genuine Stainless Steel
- Stainless Steel Control Panel
- Slim-Profile, Stainless Steel Door with Extra-Large, Clear Glass Visualite® Window
- UltraSoft™ Black Handles
- Ceramic Smoothtop Cooking Surface
- 1-6" to 9" Expandable Element
- 1-9" Radiant Element
- 2-6" Radiant Elements
- Hot-Surface Indicator Light
- Speed Clean
- SpeedBake® Convection System
- Dual Radiant™ Baking System
- 3400W Bake/2750W Broil
- Vari-Broil™- 2 Position (Hi/Lo)
- 2 Oven Racks
- Oven Light (Automatic & Integrated)
- Storage Drawer with Extendable Glides, Stainless Steel Drawer Front and Handle





Frigidaire® FES365E C

- 4.2 Cu. Ft. Self-Cleaning Oven with Auto-Latch™ Safety Lock
- EasySet™ 300 Electronic Oven Control
- Black Control Panel
- Slim-Profile, Stainless Steel Door with Extra-Large, Clear Glass Visualite® Window
- UltraSoft™ Black Handles
- Ceramic Smoothtop Cooking Surface
- 1-6" to 9" Expandable Element
- 1-8" Radiant Element
- 2-6" Radiant Elements
- Hot-Surface Indicator Light
- Dual Radiant™ Baking System
- 3400W Bake/2750W Broil
- Vari-Broil™ - 2 Position (Hi/Lo)
- 2 Oven Racks
- Oven Light (Automatic & Rocker Switch)
- Storage Drawer with Stainless Steel Drawer Front and Handle



Frigidaire® FES365E S/Q/B

- 4.2 Cu. Ft. Self-Cleaning Oven with Auto-Latch™ Safety Lock
- EasySet™ 300 Electronic Oven Control
- Color-Coordinated Control Panel
- Slim-Profile, Color-Coordinated Glass Door with Large, Clear Glass Visualite® Window
- UltraSoft™ Color-Coordinated Handle
- ColorMatch™ Ceramic Smoothtop Cooking Surface
- 1-6" to 9" Expandable Element
- 1-8" Radiant Element
- 2-6" Radiant Elements
- Hot-Surface Indicator Light
- Dual Radiant™ Baking System
- 3400W Bake/2750W Broil
- Vari-Broil™ - 2 Position (Hi/Lo)
- 2 Oven Racks
- Oven Light (Automatic & Rocker Switch)
- Storage Drawer with Color-Coordinated Porcelain Drawer Front and Integrated Handle
- Available in White, Bisque or Black

Also Available:

FED365E S/Q/B

Drop-In Style



Frigidaire



Frigidaire® FES355E S/B

- 4.2 Cu. Ft. Self-Cleaning Oven with Auto-Latch™ Safety Lock
 - EasySet™ 300 Electronic Oven Control
 - Color-Coordinated Control Panel
 - Slim-Profile, Color-Coordinated Glass Door with Large, Clear Glass Visualite® Window
 - UltraSoft™ Color-Coordinated Handle
 - Porcelain Lift-Up Cooktop with Support Rod
 - Clean Sweep™ Porcelain Subtop
 - 2-8" High-Watt Coil Elements
 - 2-6" High-Watt Coil Elements
 - Chrome Drip Bowls
 - Dual Radiant™ Baking System
 - 3400W Bake/2750W Broil
 - Vari-Broil™ - 2 Position (Hi/Lo)
 - 2 Oven Racks
 - Oven Light (Automatic & Rocker Switch)
- Storage Drawer with Color-Coordinated Porcelain Drawer Front and Integrated Handle
 - Available in White or Black

Also Available:
FED355E S/B

Drop-In Style



Frigidaire® FES300E S/B

- 4.2 Cu. Ft. Manual-Clean Oven with Auto-Latch™ Safety Lock
 - EasySet™ 100 Electronic Oven Control
 - Color-Coordinated Control Panel
 - Slim-Profile, Color-Coordinated Steel Door with Clear Glass Visualite® Window
 - UltraSoft™ Color-Coordinated Handle
 - Porcelain Lift-Up Cooktop with Support Rod
 - Clean Sweep™ Porcelain Subtop
 - 2-8" High-Watt Coil Elements
 - 2-6" High-Watt Coil Elements
 - Chrome Drip Bowls
 - Dual Radiant™ Baking System
 - 3000W Bake/2750W Broil
 - 2 Oven Racks
 - Oven Light (Rocker Switch)
- Storage Drawer with Color-Coordinated Porcelain Drawer Front and Integrated Handle
 - Available in White or Black

Also Available:
FED300E S

Drop-In Style



All-Gas Range Features



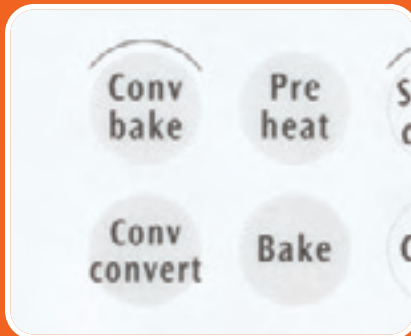
Deep Sump Cooktop with Continuous Grate System
Create a countertop-level cooking surface that makes maneuvering oversized or heavy pots and pans a snap.



High-Output Sealed Power Burners
With a 16,000 BTU Power Plus™ Burner and 14,000 and 12,000 BTU Power Burners, our ranges provide a wide variety of heating options for large pots and pans.



SpeedBake® Convection System
With a touch of a switch, the SpeedBake® Convection System cooks 30% faster than conventional ovens and is designed to provide premium performance at a modest price.



Convection Convert
Automatically converts conventional cook temperatures to convection temperatures, eliminating guesswork.



Warm & Serve® Drawer
Designed to keep hot food hot until you're ready to serve your entire meal, our warming drawers are suitable for prepared dinner plates, breads, pastries and pies.



Speed Clean/Maxx Clean™
For light cleaning, Speed Clean reduces cleaning time by 33%. For heavier soils, Maxx Clean™ increases cleaning power by 25%.



Extra-Large Visualite® Window
Now you can check cooking progress without opening the oven door, thanks to a clear glass window that's 87% larger than the standard window (Available with select high-end models.)



Star-K Kosher Certification
Your assurance that select oven models feature the Sabbath mode in keeping with kosher cooking practices.

Frigidaire



Professional Series® PLGS389E C

- 4.2 Cu. Ft., All-Gas Self-Cleaning Oven with Auto-Latch™ Safety Lock
- EasySet™ 510 Electronic Oven Control with Keypad Entry and Integrated Warmer Drawer Control
- EasyCare™ Genuine Stainless Steel
- Stainless Steel Control Panel
- Slim-Profile, Stainless Steel Door with Extra-Large, Clear Glass Visualite® Window
- UltraPro Stainless Steel Handles
- Deep Sump, Black Porcelain Cooktop
- 1 - 16,000 BTU Power Plus™ Burner
- 1 - 14,000 BTU Power Burner
- 1 - 9,500 BTU Burner
- 1 - 5,000 BTU Burner with 675 BTU Low Simmer
- Full-Surface, 3-Piece, Cast Iron Grates and Caps with Pro Matte Finish
- Convection Convert
- Speed Clean/Maxx Clean™
- EvenCook™ Element Convection System
- All-Gas Baking System
- 18,000 BTU Bake/14,000 BTU Broil
- Vari-Broil™ - 400° to 550°
- 3 Heavy-Duty and 1 Convection Roasting Racks
- 2 Oven Lights (Automatic & Integrated)
- 1.4 Cu. Ft. Warm & Serve® Drawer with Half Rack, Stainless Steel Drawer Front and Handle
- Electronic Clock/Countdown Timer
- Sabbath Mode (Star-K Certified)



Gallery Series® GLGS389F S/B

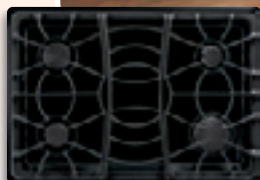
- 4.2 Cu. Ft., All-Gas Self-Cleaning Oven with Auto-Latch™ Safety Lock
- EasySet™ 510 Electronic Oven Control with Keypad Entry and Integrated Warmer Drawer Control
- Color-Coordinated Control Panel
- Slim-Profile, Color-Coordinated Glass Door with Large, Clear Glass Visualite® Window
- UltraPro Color-Coordinated Steel Handles
- Deep Sump, Color-Coordinated Porcelain Cooktop
- 1 - 16,000 BTU Power Plus™ Burner
- 1 - 14,000 BTU Power Burner
- 1 - 9,500 BTU Burner
- 1 - 5,000 BTU Burner with 675 BTU Low Simmer
- Full-Surface, 3-Piece, Cast Iron Grates and Caps
- Convection Convert
- Speed Clean/Maxx Clean™
- EvenCook™ Element Convection System
- All-Gas Baking System
- 18,000 BTU Bake/14,000 BTU Broil
- Vari-Broil™ - 400° to 550°
- 3 Heavy-Duty and 1 Convection Roasting Racks
- 2 Oven Lights (Automatic & Integrated)
- 1.4 Cu. Ft. Warm & Serve® Drawer with Half Rack, Color-Coordinated Porcelain Drawer Front and Handle
- Electronic Clock/Countdown Timer
- Sabbath Mode (Star-K Certified)
- Available in White or Black





Frigidaire® FGS366E C

- 4.2 Cu. Ft., All-Gas Self-Cleaning Oven with Auto-Latch™ Safety Lock
- EasySet™ 350 Electronic Oven Control
- EasyCare™ Genuine Stainless Steel
- Stainless Steel Control Panel
- Slim-Profile, Stainless Steel Door with Extra-Large, Clear Glass Visualite® Window
- UltraSoft™ Black Handles
- Deep Sump, Black Porcelain Cooktop
- 1 - 16,000 BTU Power Plus™ Burner
- 1 - 12,000 BTU Power Burner
- 1 - 9,500 BTU Burner
- 1 - 5,000 BTU Burner with 675 BTU Low Simmer
- Full-Surface, 3-Piece, Cast Iron Grates and Caps with Matte Finish
- Speed Clean
- SpeedBake® Convection System
- All-Gas Baking System
- 18,000 BTU Bake / 14,000 BTU Broil
- Vari-Broil™ - 2 Position (Hi/Lo)
- 2 Oven Racks
- Oven Light (Automatic & Integrated)
- Storage Drawer with Extendable Glides, Stainless Steel Drawer Front and Handle
- Electronic Clock/Countdown Timer



Frigidaire® FGS365E C

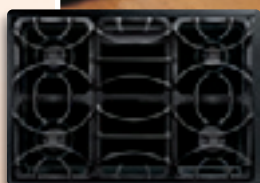
- 4.2 Cu. Ft., All-Gas Self-Cleaning Oven with Auto-Latch™ Safety Lock
- EasySet™ 300 Electronic Oven Control
- Black Control Panel
- Slim-Profile, Stainless Steel Door with Extra-Large, Clear Glass Visualite® Window
- UltraSoft™ Black Handles
- Black Porcelain Cooktop
- 1 - 12,000 BTU Power Burner
- 2 - 9,500 BTU Burners
- 1 - 5,000 BTU Burner with 675 BTU Low Simmer
- Full-Surface, 3-Piece, Cast Iron Grates and Caps with Matte Finish
- All-Gas Baking System
- 18,000 BTU Bake / 14,000 BTU Broil
- Vari-Broil™ - 2 Position (Hi/Lo)
- 2 Oven Racks
- Oven Light (Automatic & Rocker Switch)
- Storage Drawer with Stainless Steel Drawer Front and Handle
- Electronic Clock/Countdown Timer

Also Available:

FGS365E S/Q/B

(Available in white, bisque or black with same features as FGS365E C)

- Color-Coordinated Control Panel
- Color-Coordinated Glass Door with Large, Clear Glass Visualite® Window and UltraSoft™ Handle
- Color-Coordinated Porcelain Cooktop
- Full-Surface, 3-Piece, Cast Iron Grates and Caps
- Storage Drawer with Color-Coordinated Porcelain Drawer Front and Integrated Handle





Professional Series® products

Gas Slide-In Range PLGS389EC

Microwave Oven PLMV169DC

Dishwasher PLD4555RFC

Control Panels

EasySet™ 100



- Electronic oven controls with clock and timer
- Vari-Broil™ – low and high setting

EasySet™ 300



Adds:

- Delayed cook and clean options
- Preheat indicator
- Oven Lockout – locks oven controls and oven door when oven is not in operation

EasySet™ 350



Adds:

- Speed Clean – 33% faster cleaning for light soils
- Speed Bake Convection
- Keep Warm Setting
- Integrated oven light switch on control panel

EasySet™ 510



Adds:

- 10-Key Touch Pad – for direct data entry
- Maxx Clean™ – 25% more cleaning strength for heavy soils
- EvenCook³™ Third Element Convection – Convection, Bake and Broil
- Convection Convert – enter existing recipe temperature/time, converts and displays new temperature/time for convection cooking
- Vari-Broil™ – select temperature setting from 400° to 550°
- Sabbath Mode

Frigidaire

Accessories



16-Oz. Stainless Steel Appliance Cleaner
 Preserve the look of your stainless steel appliances for years to come. Provides protection from fingerprints and smudges.
 5304433275



18-Oz. CERAMA BRYTE® Cooktop Cleaner
 Removes baked-on food stains and spills without scratching or marring your appliance's finish.
 5304433208



Glass & Ceramic Cooktop Scraper
 Removes burnt-on food and other difficult stains without scratching your glass or ceramic cooktop. Easy-grip handler makes cleaning quick and safe.
 5304433278



Safety+Plus Range Gas Connector
 Automatically shuts off the gas supply in the event of a leak. Kit includes everything necessary to connect your range to your gas supply. 5/8" O.D. x 4'
 5305514147



3-Wire, 40 Amp, 6' Range Cord
 Heavy-duty, UL-approved 40 and 50 amp rated. Easy and safe to hook up. Fits most major appliances.
 53090-1054



Nonabrasive Microfiber Sponge
 Gently and effectively wipe away stains with soft, nonabrasive microfiber that won't scratch appliance surfaces. Washing machine safe.
 5304434804



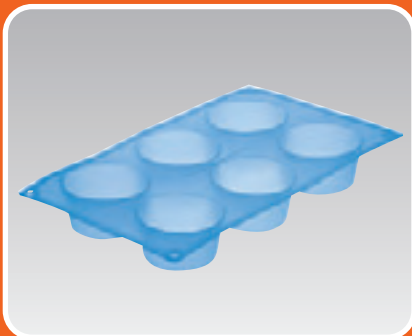
Kitchen Grips
 Constructed of stain-free material that is liquid impermeable and resists heat up to 500° F for the ultimate in protection against accidental scalds or burns.
 GMBLUEC - Blue GMREDEC - Red
 GMGRNEC - Green GMBLKEC - Black

Silicone Bakeware

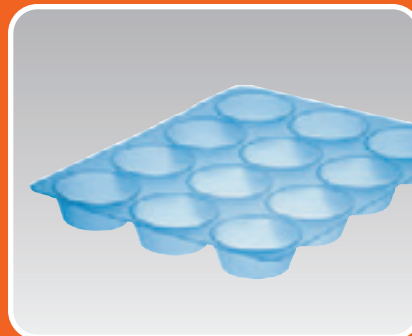
Produce beautiful, well-formed baked goods every time with our nonstick silicone bakeware. Its nonstick finish means flawless food release, plus you'll save energy by using up to 30% less cooking time. It can withstand up to 3000+ baking cycles, temperatures ranging from -40°F to 528°F and can go from oven to microwave to freezer without cracking or splitting apart. Another great benefit is that it's easy to clean, dishwasher safe and flexible for easy storage.



Silicone Bakeware Muffin/Bundt Bundle
SILMUF6B



Silicone Bakeware 6-Cup Muffin Pan
SILMUF6



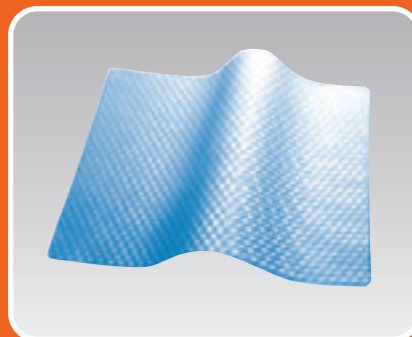
Silicone Bakeware 12-Cup Muffin Pan
SILMUF12



Silicone Bakeware Loaf Pan
SILLOAF



Silicone Bakeware Bundt Pan
SILBUNDT1



Silicone Bakeware Cookie Sheet
SILSHEET

DUAL-FUEL SLIDE-IN RANGES

Models	PLCS389EC	GLCS389F	FCS366EC
Series	Professional	Gallery	Frigidaire
Control Panel Features			
EasySet™ Electronic Oven Control	ES510	ES510	ES350
Keypad Entry of Time & Temperature	•	•	•
Icons, Dual Display & Word Prompting	•	•	•
Electronic Clock/Timer/Temperature Display	•	•	•
Automatic Oven (Delay, Cook & Off)	•	•	•
Automatic Oven Shut-Off (12 hour)	•	•	•
F° or C° Programmable	•	•	•
Convection Conversion	•	•	•
Speed Clean	•	•	•
Maxx Clean™	•	•	•
Sabbath Mode (Star-K Certified)	•	•	•
Integrated Warmer Drawer	•	•	•
Child Lockout Controls	•	•	•
Cooktop Features			
Deep Sump Porcelain Cooktop	Black	Color-Coordinated	Black
16,000 BTU Sealed Power Plus™ Burner	1	1	1
14,000 BTU Sealed Power Burner	1	1	1
12,000 BTU Sealed Power Burner	1	1	1
9,500 BTU Sealed Burner	1	1	1
5,000 BTU Low Simmer Sealed Burner	1	1	1
Full-Surface Continuous Grates	Pro Matte	Gloss	Matte
Linear Flow Burner Valves (270°)	•	•	•
Electronic Pilotless Ignition	•	•	•
Oven Features			
EvenCook3™ Convection System	•	•	•
SpeedBake™ Convection System	•	•	•
Electric Self-Cleaning Oven w/ Auto-Latch™ Safety Lock	•	•	•
Dual Radiant™ Baking System	•	•	•
Vari-Broil™ Temperature Control	400°-550°	400°-550°	Hi/Lo
Six-Pass Broil Element	•	•	•
Hidden Bake Element	•	•	•
Interior Oven Lighting	2 (Automatic/Integrated)	2 (Automatic/Integrated)	1 (Automatic/Integrated)
Porcelain Broiler Pan	•	•	•
Heavy-Duty Oven Racks	3	3	•
Conventional Oven Racks	•	•	2
Convection Roasting Rack	1	1	•
Oven Door Style			
Removable Window Door	Stainless Steel	Color-Coordinated Glass	Stainless Steel
Door Handle	UltraPro S.S.	UltraPro C.C.	UltraSoft™ Black
Visualite® Window	Extra Large	Large	Extra Large
Drawer Features			
Warm & Serve® Drawer (1.6 Cu. Ft.)	Stainless Steel	Color-Coordinated Porcelain	•
Removable Storage Drawer	•	•	Stainless Steel
Drawer Handle	UltraPro S.S.	UltraPro C.C.	UltraSoft™ Black
Extendable Drawer Glides	•	•	•
Color/UPC (0-57112-)			
Stainless Steel - Black (C)	09057-3	•	09052-8
White-on-White (S)	•	09418-2	•
Bisque-on-Bisque (Q)	•	09419-9	•
Black-on-Black (B)	•	09420-5	•
Specifications			
Oven Capacity	4.2 Cu. Ft.	4.2 Cu. Ft.	4.2 Cu. Ft.
Interior Oven Dimensions (WxHxD)	24-1/8" x 16-1/2" x 18-1/32"	24-1/8" x 16-1/2" x 18-1/32"	24-1/8" x 16-1/2" x 18-1/32"
Product Weight	190 Lbs.	203 Lbs.	185 Lbs.
Shipping Weight (Approx.)	210 Lbs.	223 Lbs.	205 Lbs.
Connected Load (kW Rating) 240/208 Volts	4.1/3.08	5.0/3.8	4.1/3.08
Amps @ 240/208 Volts	17.1/14.8	21.0/18.0	17.1/14.8
Bake Element Wattage 240/208 Volts	3400	3400	3400
Broil Element Wattage 240/208 Volts	2750	2750	2750
Convection Element Wattage	350	350	350
Minimum Circuit Required - Amps*	30	30	30
LP Conversion Kit	Included	Included	Included
Requires 40 Amp Range Cord*	Optional	Optional	Optional

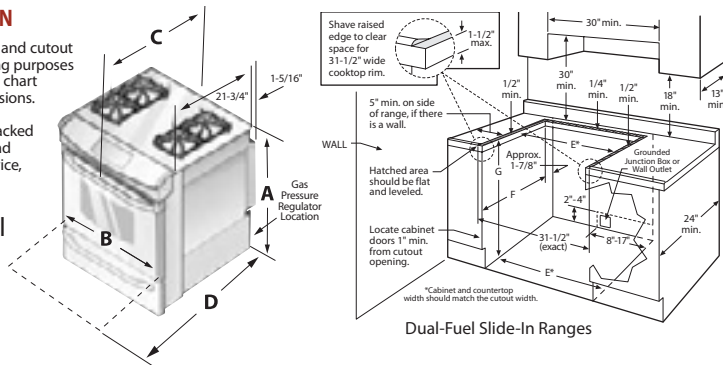
*Consult Local/National Electric Codes



INSTALLATION

The following dimension and cutout information is for planning purposes only. Refer to dimensions chart below for variable dimensions. For complete installation details consult manual packed with product, or download manual at Customer Service, online at frigidaire.com.

Dual-Fuel Slide-In Ranges



SEALED GAS BURNER RATINGS

Maximum Output	Low Turn-Down Output
16,000 BTU Natural Gas/14,000 BTU LP Gas	1,800 BTU Natural Gas
14,000 BTU Natural Gas/11,000 BTU LP Gas	1,500 BTU Natural Gas
12,000 BTU Natural Gas/10,000 BTU LP Gas	1,200 BTU Natural Gas
9,500 BTU Natural Gas/8,000 BTU LP Gas	850 BTU Natural Gas
5,000 BTU Natural Gas/4,500 BTU LP Gas	675 BTU Natural Gas

DIMENSIONS

Models	Exterior Dimensions					Cutout Dimensions		
	A-Height	B-Width	C-Depth to Notch on Back of Console	D-Depth to Extreme Protrusion	D-Depth with Door 90° Open	E-Minimum Width	F-Depth	G-Height
Dual-Fuel Slide-In Ranges	35-5/8" Minimum 36-3/8" Maximum	30"	24-3/4"	28"	45-1/4"	30"	21-3/4" Minimum 22-1/8" Maximum	35-5/8" Minimum 36-5/8" Maximum

ELECTRIC SLIDE-IN RANGES

Models	PLES399E	PLES389E	GLS389F	FES366EC	FES365EC	FES365E	FES355E	FES300E
Series	Professional	Professional	Gallery	Frigidaire	Frigidaire	Frigidaire	Frigidaire	Frigidaire
Control Panel Features								
EasySet™ Electronic Oven Control	ES510	ES510	ES510	ES350	ES300	ES300	ES300	ES100
Keypad Entry of Time & Temperature	*	*	*					
Icons, Dual Display & Word Prompting	*	*	*					
Electronic Clock/Timer/Temperature Display	*	*	*	*	*	*	*	*
Automatic Oven (Delay, Cook & Off)	*	*	*	*	*	*	*	*
Automatic Oven Shut-Off (12 hour)	*	*	*	*	*	*	*	*
F° or C° Programmable	*	*	*	*	*	*	*	*
Convection Conversion	*	*	*					
Speed Clean	*	*	*	*				
Maxx Clean™	*	*	*					
Sabbath Mode (Star-K Certified)	*	*	*					
Integrated Warmer Drawer	*	*	*					
Child Lockout Controls	*	*	*	*	*	*	*	*
Cooktop Features								
Smooth Ceramic Glass Cooktop	Black	Black	C. Coordinated	Black	Black	C. Coordinated		
Porcelain Cooktop							C. Coordinated	C. Coordinated
QuadMaxx™ Cooking Surface		*	*					
7"/Bridge/7" (1800W/800W/1800W) Element	1							
9" to 12" (1700W/2700W) Expandable Element	1							
6" to 9" (1200W/2500W) Expandable Element		2		1	1	1		
5" to 7" (750W/1800W) Expandable Element		2	2					
9" (2700W) Radiant Element				1				
8" (2200W) Radiant Element					1	1		
6" (1200W) Radiant Element	1			2	2	2		
8" (2600W) High-Watt Coil Element							2	2
6" (1500W) High-Watt Coil Element							2	2
Hot-Surface Indicator Light (# Positions)	4	4	4	1	1	1		
Lift-Up Cooktop with Support Rod							*	*
Clean Sweep™ Porcelain Subtop							*	*
Chrome Drip Bowls							*	*
Spill-Control Cooktop							*	*
Precision Set™ Electronic Surface Controls	*	*	*					
Oven Features								
EvenCook3™ Convection System	*	*	*					
SpeedBake® Convection System				*				
Self-Cleaning Oven w/ Auto-Latch™ Safety Lock	*	*	*	*	*	*	*	*
Manual-Clean Porcelain Oven								*
Dual Radiant™ Baking System	*	*	*	*	*	*	*	*
Vari-Broil™ Temperature Control	400°-550°	400°-550°	400°-550°	Hi/Lo	Hi/Lo	Hi/Lo	Hi/Lo	Hi/Lo
Six-Pass Broil Element	*	*	*	*	*	*	*	*
Hidden Bake Element	*	*	*	*	*	*	*	*
Interior Oven Lighting	2 (Auto./Integr.)	2 (Auto./Integr.)	2 (Auto./Integr.)	1 (Auto./Integr.)	1 (Auto./Switch)	1 (Auto./Switch)	1 (Auto./Switch)	1 (Switch)
Porcelain Broiler Pan	*	*	*	*	*	*	*	*
Heavy-Duty Oven Racks	3	3	3					
Conventional Oven Racks				2	2	2	2	2
Convection Roasting Rack	1	1	1					
Oven Door Style								
Removable Window Door	Stainless Steel	Stainless Steel	C. C. Glass	Stainless Steel	Stainless Steel	C. C. Glass	C. C. Glass	C. C. Steel
Door Handle	UltraPro S.S.	UltraPro S.S.	UltraPro C.C.	UltraSoft™ Black	UltraSoft™ Black	UltraSoft™ C.C.	UltraSoft™ C.C.	UltraSoft™ C.C.
Visualite® Window	Extra Large	Extra Large	Large	Extra Large	Extra Large	Large	Large	Standard
Drawer Features								
Warm & Serve® Drawer (1.6 Cu. Ft.)	Stainless Steel	Stainless Steel	C. C. Porcelain					
Removable Storage Drawer				Stainless Steel	Stainless Steel	C. C. Porcelain	C. C. Porcelain	C. C. Porcelain
Drawer Handle	UltraPro S.S.	UltraPro S.S.	UltraPro C.C.	UltraSoft™ Black	UltraSoft™ Black	Integrated	Integrated	Integrated
Extendable Drawer Glides	*	*	*	*	*	*	*	*
Color/UPC (0-57112-)								
Stainless Steel - Black (C)	09025-2	08947-8		08961-4	08957-7			
White-on-White (S)			09412-0			08954-6	08965-2	08963-8
Bisque-on-Bisque (Q)						08955-3		
Black-on-Black (B)			09414-4			08956-0	08966-9	08964-5
Specifications								
Oven Capacity	4.2 Cu. Ft.	4.2 Cu. Ft.	4.2 Cu. Ft.	4.2 Cu. Ft.	4.2 Cu. Ft.	4.2 Cu. Ft.	4.2 Cu. Ft.	4.2 Cu. Ft.
Interior Oven Dimensions (WxHxD)	24-1/8" x 16-1/2" x 18-1/32"	24-1/8" x 16-1/2" x 18-1/32"	24-1/8" x 16-1/2" x 18-1/32"	24-1/8" x 16-1/2" x 18-1/32"	24-1/8" x 16-1/2" x 18-1/32"	24-1/8" x 16-1/2" x 18-1/32"	24-1/8" x 16-1/2" x 18-1/32"	24-1/8" x 16-1/2" x 18-1/32"
Product Weight	189 Lbs.	189 Lbs.	198 Lbs.	149 Lbs.	145 Lbs.	145 Lbs.	155 Lbs.	135 Lbs.
Shipping Weight (Approx.)	209 Lbs.	209 Lbs.	218 Lbs.	169 Lbs.	165 Lbs.	165 Lbs.	175 Lbs.	155 Lbs.
Connected Load (kW Rating) 240/208 Volts	13.3/10.0	13.6/10.2	13.6/10.2	11.0/8.3	10.5/7.9	10.5/7.9	11.6/8.7	11.2/8.4
Amps @ 240/208 Volts	55.4/48.0	55.4/49.0	55.4/49.0	45.8/39.9	43.7/37.9	43.7/37.9	48.3/41.8	46.6/40.4
Minimum Circuit Required - Amps*	40	40	40	40	40	40	40	40
Armored Electrical Cable	*	*	*	*	*	*	*	*
Bake Element Wattage 240/208 Volts	3400/2554	3400/2554	3400/2554	3400/2554	3400/2554	3400/2554	3400/2554	3000/2553
Broil Element Wattage 240/208 Volts	2750/2065	2750/2065	2750/2065	2750/2065	2750/2065	2750/2065	2750/2065	2750/2065
Convection Element Wattage	350	350	350					

*Consult Local/National Electric Codes



ELECTRIC DROP-IN RANGES

Models	FED365E	FED355E	FED300E
Series	Frigitaire	Frigitaire	Frigitaire
Control Panel Features			
EasySet™ Electronic Oven Control	ES300	ES300	ES100
Electronic Clock/Timer/Temperature Display	•	•	•
Automatic Oven (Delay, Cook & Off)	•	•	•
Automatic Oven Shut-Off (12 hour)	•	•	•
Child Lockout Controls	•	•	•
Cooktop Features			
Smooth Ceramic Glass Cooktop	C. Coordinated		
Porcelain Cooktop		C. Coordinated	C. Coordinated
6" to 9" (1200/2500W) Expandable Element	1		
8" (2200W) Radiant Element	1		
6" (1200W) Radiant Element	2		
8" (2600W) High-Watt Coil Element		2	2
6" (1500W) High-Watt Coil Element		2	2
Hot-Surface Indicator Light (# Positions)	1		
Lift-Up Cooktop with Support Rod		•	•
Clean Sweep™ Porcelain Subtop		•	•
Chrome Drip Bowls		•	•
Spill-Control Cooktop		•	•
Oven Features			
Self-Cleaning Oven w/ Auto-Latch™ Safety Lock	•	•	•
Manual-Clean Porcelain Oven			•
Dual Radiant™ Baking System	•	•	•
Vari-Broil™ Temperature Control	Hi/Lo	Hi/Lo	Hi/Lo
Six-Pass Broil Element	•	•	•
Interior Oven Lighting	1 (Automatic/Switch)	1 (Automatic/Switch)	1 (Switch)
Porcelain Broiler Pan	•	•	•
Conventional Oven Racks	2	2	2
Oven Door Style			
Removable Window Door	C. C. Glass	C. C. Glass	C. C. Steel
Door Handle	UltraSoft™ C.C.	UltraSoft™ C.C.	UltraSoft™ C.C.
Visualite® Window	Large	Large	Standard
Color /UPC (0-57112-)			
White-on-White (S)	08951-5	08968-3	08967-6
Bisque-on-Bisque (Q)	08952-2		
Black-on-Black (B)	08953-9	08969-0	
Specifications			
Oven Capacity	4.2 Cu. Ft.	4.2 Cu. Ft.	4.2 Cu. Ft.
Interior Oven Dimensions (WxHxD)	24-1/8" x 16-1/2" x 18-1/32"	24-1/8" x 16-1/2" x 18-1/32"	24-1/8" x 16-1/2" x 18-1/32"
Product Weight	130 Lbs.	134 Lbs.	117 Lbs.
Shipping Weight (Approx.)	145 Lbs.	149 Lbs.	132 Lbs.
Connected Load (kW Rating) 240/208 Volts	10.5/7.9	11.6/8.7	11.2/8.4
Amps @ 240/208 Volts	43.7/38.0	43.7/41.8	46.6/40.4
Minimum Circuit Required - Amps*	40	40	40
Armored Electrical Cable	•	•	•
Bake Element Wattage 240/208 Volts	3400/2253	3400/2253	3000/2253
Broil Element Wattage 240/208 Volts	2750/2065	2750/2065	2750/2065

*Consult Local/National Electric Codes



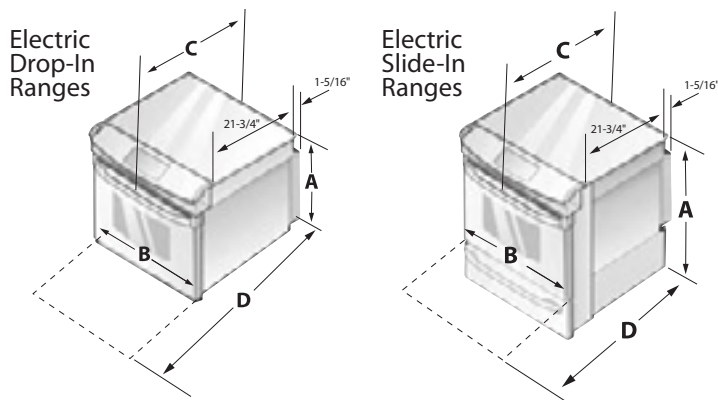
White

Black

Bisque

INSTALLATIONS

The following dimension and cutout information is for planning purposes only. Refer to dimensions chart below for variable dimensions. For complete installation details consult manual packed with product, or download manual at [Customer Service, online at frigitaire.com](http://frigitaire.com).



DIMENSIONS

Models	Exterior Dimensions					Cutout Dimensions		
	A-Height	B-Width	C-Depth to Notch on Back of Console	to Extreme Protrusion	D-Depth with Door 90° Open	E-Minimum Width	F-Depth	G-Height
Electric Drop-In Ranges	26-1/2"	30"	24-3/4"	27"	44-1/4"	30"	21-3/4" Minimum 22-1/8" Maximum	29"
Electric Slide-In Ranges	35-5/8" Minimum 36-3/8" Maximum	30"	24-3/4"	28"	45-1/4"	30"	21-3/4" Minimum 22-1/8" Maximum	35-5/8" Minimum 36-5/8" Maximum

ACCESSORY KITS

Kit Color	Backguard Kit (1 Adjustable)	Side Panel Kit* (2 Panels)	Rear Filler Kit (3 Panels)	Side Filler Kits For Slide-Ins	For Drop-Ins
White	903046-9011	903074-9011	901193-9011	903075-9011	903076-9011
Black	903046-9010	903074-9010	901193-9010	903075-9010	903076-9010
Bisque	903046-9014	903074-9014	901193-9014	903075-9014	903076-9014

*For use with Slide-In Ranges Only.

Note: All kits include necessary parts and instructions for easy installation.

Kits are pictured below in white for illustrative purposes only. Each kit is available for order in white, black and bisque.



Side Filler Kit

Fills the side gaps left from an older slide-in or drop-in model that previously had a 29" cutout dimension.



Rear Filler Kit

Fills the gap between the countertop and rear of any slide-in or drop-in range, preventing liquids and food from spilling into the gap.



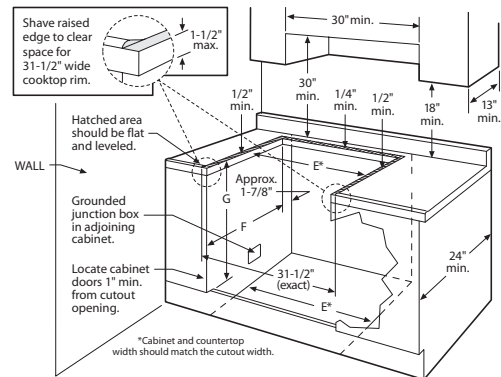
Backguard Kit

Creates a more finished look and also fills the gap between the countertop and rear of any slide-in or drop-in range, preventing liquids and food from spilling into the gap.

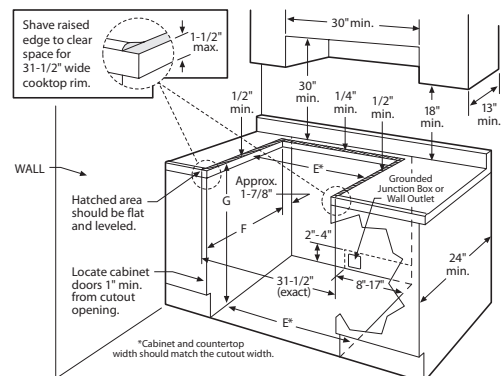


Side Panel Kit

Creates a more finished look for any slide-in range when positioned at the end of a cabinet run.



Electric Drop-In Range



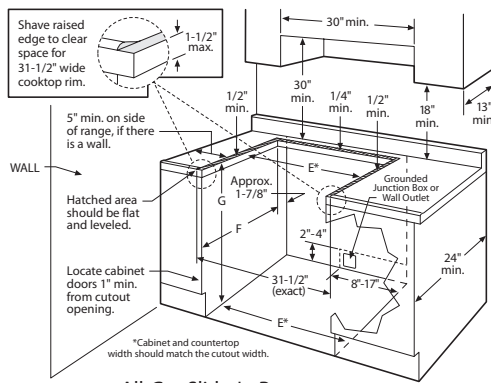
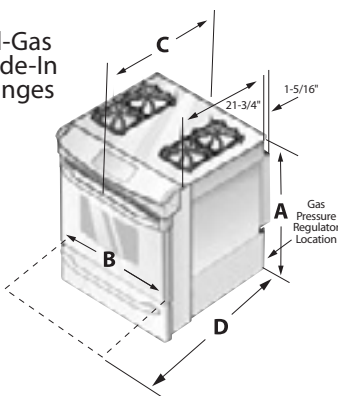
Electric Slide-In Range

ALL-GAS SLIDE-IN RANGES

Models	PLGS389E	GLGS389F	FGS366EC	FGS365EC	FGS365E
Series	Professional	Gallery	Frigidaire	Frigidaire	Frigidaire
Control Panel Features					
EasySet™ Electronic Oven Control	ES510	ES510	ES350	ES300	ES300
Keypad Entry of Time & Temperature	•	•			
Icons, Dual Display & Word Prompting	•	•			
Electronic Clock/Timer/Temperature Display	•	•	•	•	•
Automatic Oven (Delay, Cook & Off)	•	•	•	•	•
Automatic Oven Shut-Off (12 hour)	•	•	•	•	•
F° or C° Programmable	•	•			
Convection Conversion	•	•			
Speed Clean	•	•	•		
Maxx Clean™	•	•			
Sabbath Mode (Star-K Certified)	•	•			
Integrated Warmer Drawer	•	•			
Child Lockout Controls	•	•	•	•	•
Cooktop Features					
Deep Sump Porcelain Cooktop	•	•	•		
Porcelain Cooktop				•	•
16,000 BTU Sealed Power Plus™ Burner	1	1	1		
14,000 BTU Sealed Power Burner	1	1			
12,000 BTU Sealed Power Burner			1	1	1
9,500 BTU Sealed Burner	1	1	1	2	2
5,000 BTU Low Simmer Sealed Burner	1	1	1	1	1
Full-Width Continuous Grates	Pro Matte	Gloss	Matte	Matte	Gloss
Linear Flow Burner Valves (270°)	•	•	•	•	•
Electronic Pilotless Ignition	•	•	•	•	•
Oven Features					
EvenCook3™ Convection System	•	•			
SpeedBake™ Convection System			•		
Self-Cleaning Oven w/ Auto-Latch™ Safety Lock	•	•			
Vari-Broil™ Temperature Control	400°-550°	400°-550°	Hi/Lo	Hi/Lo	Hi/Lo
Interior Oven Lighting	2 (Auto./Integrated)	2 (Auto./Integrated)	1 (Auto./Integrated)	1 (Auto./Switched)	1 (Auto./Switched)
Porcelain Broiler Pan	•	•	•	•	•
Heavy-Duty Oven Racks	3	3			
Conventional Oven Racks			2	2	2
Convection Roasting Rack	1	1			
Oven Door Style					
Removable Window Door	Stainless Steel	C. C. Glass	Stainless Steel	Stainless Steel	C. C. Glass
Door Handle	UltraPro S.S.	UltraPro C.C.	UltraSoft™ Black	UltraSoft™ Black	UltraSoft™ C.C.
Visualite™ Window	Extra Large	Large	Extra Large	Extra Large	Large
Drawer Features					
Warm & Serve® Drawer (1.4 Cu. Ft.)	Stainless Steel	C. C. Porcelain			
Removable Storage Drawer			Stainless Steel	Stainless Steel	C. C. Porcelain
Drawer Handle	UltraPro S.S.	UltraPro C.C.	UltraSoft™ Black	UltraSoft™ Black	Integrated
Extendable Drawer Glides	•	•	•	•	•
Color /UPC (0-57112-)					
Stainless Steel - Black (C)	09047-4		09042-9	09038-2	
White-on-White (S)		09415-1			09035-1
Bisque-on-Bisque (Q)					09036-8
Black-on-Black (B)		09416-8			09037-5
Specifications					
Oven Capacity	4.2 Cu. Ft.	4.2 Cu. Ft.	4.2 Cu. Ft.	4.2 Cu. Ft.	4.2 Cu. Ft.
Interior Oven Dimensions (WxHxD)	24-1/8" x 16-1/2" x 18-1/32"	24-1/8" x 16-1/2" x 18-1/32"	24-1/8" x 16-1/2" x 18-1/32"	24-1/8" x 16-1/2" x 18-1/32"	24-1/8" x 16-1/2" x 18-1/32"
Product Weight	190 Lbs.	203 Lbs.	185 Lbs.	185 Lbs.	185 Lbs.
Shipping Weight (Approx.)	210 Lbs.	223 Lbs.	205 Lbs.	205 Lbs.	205 Lbs.
LP Convertible (No Additional Parts Required)	•	•	•	•	•
120V/60 Hz/15 Amp Power Source*	Required	Required	Required	Required	Required
Oven Baking Rating (BTU)	18,000	18,000	18,000	18,000	18,000
Oven Broil Rating (BTU)	14,000	14,000	14,000	14,000	14,000

*Consult Local/National Electric Codes

All-Gas Slide-In Ranges



All-Gas Slide-In Ranges



SEALED GAS BURNER RATINGS

Maximum Output	Low Turn-Down Output
16,000 BTU Natural Gas/14,000 BTU LP Gas	1,800 BTU Natural Gas
14,000 BTU Natural Gas/11,000 BTU LP Gas	1,500 BTU Natural Gas
12,000 BTU Natural Gas/10,000 BTU LP Gas	1,200 BTU Natural Gas
9,500 BTU Natural Gas/8,000 BTU LP Gas	850 BTU Natural Gas
5,000 BTU Natural Gas/4,500 BTU LP Gas	675 BTU Natural Gas

GAS OVEN BURNER RATINGS

Bake – 18,000 BTU Natural Gas / 16,000 BTU LP Gas
Broil – 14,000 BTU Natural Gas / 13,500 BTU LP Gas
 Convection Assist Element: 350 Watts

DIMENSIONS

Models	Exterior Dimensions				Cutout Dimensions		
	A-Height	B-Width	C-Depth to Notch on Back of Console	D-Depth to Extreme Protrusion	E-Minimum Width	F-Depth	G-Height
All-Gas Slide-In Ranges	35-5/8" Minimum 36-3/8" Maximum	30"	24-3/4"	28"	30"	21-3/4" Minimum 22-1/8" Maximum	35-5/8" Minimum 36-5/8" Maximum

Specifications subject to change.



LIMITED ONE-YEAR WARRANTY

This warranty does not cover the following:

- Products with original serial numbers that have been removed, altered or cannot be readily determined.
- Product that has been transferred from its original owner to another party or removed outside the USA or Canada.
- Rust on the interior or exterior of the unit.
- Products purchased "as-is" are not covered by this warranty.
- Food loss due to any refrigerator or freezer failures.
- Products used in a commercial setting.
- Service calls which do not involve malfunction or defects in materials or workmanship, or for appliances not in ordinary household use or used other than in accordance with the provided instructions.
- Service calls to correct the installation of your appliance or to instruct you how to use your appliance.
- Expenses for making the appliance accessible for servicing, such as removal of trim, cupboards, shelves, etc., which are not a part of the appliance when it is shipped from the factory.
- Service calls to repair or replace appliance light bulbs, air filters, water filters, other consumables, or knobs, handles, or other cosmetic parts.
- Surcharges including, but not limited to, any after hour, weekend, or holiday service calls, tolls, ferry trip charges, or mileage expense for service calls to remote areas, including the state of Alaska.
- Damages to the finish of appliance or home incurred during installation, including but not limited to floors, cabinets, walls, etc.
- Damages caused by: services performed by unauthorized service companies; use of parts other than genuine Electrolux parts or parts obtained from persons other than authorized service companies; or external causes such as abuse, misuse, inadequate power supply, accidents, fires, or acts of God.

DISCLAIMER OF IMPLIED WARRANTIES; LIMITATION OF REMEDIES

Customer's sole and exclusive remedy under this limited warranty shall be product repair or replacement as provided herein. Claims based on implied warranties, including warranties of merchantability or fitness for a particular purpose, are limited to one year or the shortest period allowed by law, but not less than one year. Electrolux shall not be liable for consequential or incidental damages such as property damage and incidental expenses resulting from any breach of this written limited warranty or any implied warranty. Some states and provinces do not allow the exclusion or limitation of incidental or consequential damages, or limitations on the duration of implied warranties, so these limitations or exclusions may not apply to you. This written warranty gives you specific legal rights. You may also have other rights that vary from state to state.

IF YOU NEED SERVICE

Keep your receipt, delivery slip, or some other appropriate payment record to establish the warranty period should service be required. If service is performed, it is in your best interest to obtain and keep all receipts. Service under this warranty must be obtained by contacting Electrolux at the addresses or phone numbers below. Your appliance is covered by a one year limited warranty. For one year from your original date of purchase, Electrolux will pay all costs for repairing or replacing any parts of this appliance that prove to be defective in materials or workmanship when such appliance is installed, used, and maintained in accordance with the provided instructions. This warranty only applies in the USA and Canada. In the USA, your appliance is warranted by Electrolux Major Appliances North America, a division of Electrolux Home Products, Inc. In Canada, your appliance is warranted by Electrolux Canada Corp. Electrolux authorizes no person to change or add to any obligations under this warranty. Obligations for service and parts under this warranty must be performed by Electrolux or an authorized service company. Product features or specifications as described or illustrated are subject to change without notice.

USA

Electrolux Major Appliances, North America

250 Bobby Jones Expressway
Martinez, GA 30907
1-800-FRIGIDAIRE
frigidaire.com

CANADA

Electrolux Canada Corporation

5855 Terry Fox Way
Mississauga, ON L5V 3E4
1-800-668-4606



Every Frigidaire® appliance is backed by the global strength of the Electrolux Group, the world's largest manufacturer of kitchen and cleaning appliances.