

*Frigidaire*

Cooktops



# Frigidaire



## Powerfully precise.

You know you can count on Frigidaire® for cooktops that combine total cooking power with absolute style.

You count on the high-performance of our electric cooktops with expandable cooking elements that adapt to any size pot or pan. And our PrecisionSet™ Surface controls that provide precise control from simmer to boil.

You appreciate our Sealed Gas Burner System with a BTU output ranging from 5,000 to 14,000. Or our Deep Sump cooktop with Continuous Grates that is flush with your countertop to make it easy and safe to remove heavy pots from the cooking surface.

And, you enjoy the ease with which both gas and electric cooktops clean up quickly and stay looking new for years.

You expect all this from Frigidaire®... and we deliver.

## Gas Cooktop Features



### Sealed Gas Burner System

Burners range from 5,000 BTU to 14,000 BTU and are so easy to clean that even the burner heads are dishwasher safe.



### Cast Iron Burner Grates

Heavy-duty, Professional and UltraSoft™ grates are porcelain coated and featured on all sealed burner models.



### Venturi Gas Burner System

The 9,000 BTU burners are economical to operate, LP convertible, easy to clean and feature porcelain-coated steel cooking grates.



### Full-Width Grate System

Create a countertop-level cooking surface that makes maneuvering oversized or heavy pots and pans a snap.



### Gas-Through-Glass Cooktop

Combines an easy-to-clean surface with the sleek look of ceramic glass.



### Deep Sump Cooking Surface

Deep cooking surface provides superior spill protection and easy cleanup.

# Frigidaire



## Professional Series® **PLGC36S9E C**

- 36" Stainless Steel Deep Sump Cooktop
- 1 - 14,000 BTU Sealed Power Burner
- 1 - 12,000 BTU Sealed Burner
- 2 - 9,500 BTU Sealed Burners
- 1 - 5,000 BTU (675 Low Simmer) Sealed Burner
- Full-Width Pro-Style Cast Iron Grates and Burner Caps with Pro Matte Finish
- Center-Mounted Linear Flow Gas Valves
- Removable Professional-Style Knobs



## Professional Series® **PLGC30S9E C**

- 30" Stainless Steel Deep Sump Cooktop
- 1 - 14,000 BTU Sealed Power Burner
- 1 - 12,000 BTU Sealed Burner
- 1 - 9,500 BTU Sealed Burner
- 1 - 5,000 BTU (675 Low Simmer) Sealed Burner
- Full-Width Pro-Style Cast Iron Grates and Burner Caps with Pro Matte Finish
- Side-Mounted Linear Flow Gas Valves
- Removable Professional-Style Knobs



Gallery Series®  
**GLGC36S9E S/Q/B**

- 36" Porcelain Deep Sump Cooktop
- 1-14,000 BTU Sealed Power Burner
- 1-12,000 BTU Sealed Burner
- 2-9,500 BTU Sealed Burners
- 1-5,000 BTU (675 Low Simmer) Sealed Burner
- Full-Width UltraSoft™ Design  
Cast Iron Grates and Burner Caps
- Center-Mounted Linear Flow Gas Valves
- Removable Control Knobs
- Available in White, Bisque or Black



Gallery Series®  
**GLGC30S9E S/Q/B**

- 30" Porcelain Deep Sump Cooktop
- 1-14,000 BTU Sealed Power Burner
- 1-12,000 BTU Sealed Burner
- 1-9,500 BTU Sealed Burner
- 1-5,000 BTU (675 Low Simmer) Sealed Burner
- Full-Width UltraSoft™ Design  
Cast Iron Grates and Burner Caps
- Side-Mounted Linear Flow Gas Valves
- Removable Control Knobs
- Available in White, Bisque or Black

# Frigidaire



## Gallery Series® **GLGC36S8E S/Q/B**

- 36" Gas-Through-Glass Cooktop
- 1 - 14,000 BTU Sealed Power Burner
- 1 - 11,000 BTU Sealed Burner
- 2 - 9,500 BTU Sealed Burners
- 1 - 5,000 BTU (675 Low Simmer) Sealed Burner
- Full-Width UltraSoft™ Design  
Cast Iron Grates and Burner Caps
- Center-Mounted Linear Flow Gas Valves
- Removable Control Knobs
- Available in White, Bisque or Black



## Gallery Series® **GLGC30S8E S/Q/B**

- 30" Gas-Through-Glass Cooktop
- 1 - 14,000 BTU Sealed Power Burner
- 1 - 11,000 BTU Sealed Burner
- 1 - 9,500 BTU Sealed Burner
- 1 - 5,000 BTU (675 Low Simmer) Sealed Burner
- Full-Width UltraSoft™ Design  
Cast Iron Grates and Burner Caps
- Side-Mounted Linear Flow Gas Valves
- Removable Control Knobs
- Available in White, Bisque or Black

Frigidaire®  
**FGC36S6A S/B**

- 36" Narrow Depth (18") Gas-on-Glass Cooktop
- 1-12,000 BTU Sealed Power Burner
- 2-9,100 BTU Sealed Burners
- 1-5,000 BTU (500 Low Simmer) Sealed Burner
- UltraSoft™ Design Cast Iron Grates and Burner Caps
- Front-Mounted Linear Flow Gas Valves
- Removable Control Knobs
- Available in White and Black



Frigidaire®  
**FGC36S5E C**

- 36" Narrow Depth (18") Stainless Steel Spill-Control Cooktop
- 1-12,000 BTU Sealed Power Burner
- 2-9,100 BTU Sealed Burners
- 1-5,000 BTU (500 Low Simmer) Sealed Burner
- UltraSoft™ Design Cast Iron Grates and Burner Caps
- Front-Mounted Linear Flow Gas Valves
- Removable Control Knobs



Frigidaire®  
**FGC36S5A W/B**

- 36" Narrow Depth (18") Porcelain Spill-Control Cooktop
- 1-12,000 BTU Sealed Power Burner
- 2-9,100 BTU Sealed Burners
- 1-5,000 BTU (500 Low Simmer) Sealed Burner
- UltraSoft™ Design Cast Iron Grates and Burner Caps
- Front-Mounted Linear Flow Gas Valves
- Removable Control Knobs
- Available in White and Black



# Frigidaire



## Frigidaire® FGC30S4D C

- 30" Stainless Steel Spill-Control Cooktop
- 1 - 12,000 BTU Sealed Power Burner
- 2 - 9,100 BTU Sealed Burners
- 1 - 5,000 BTU (500 Low Simmer) Sealed Burner
- UltraSoft™ Design Cast Iron Grates and Burner Caps
- Side-Mounted Linear Flow Gas Valves
- Removable Control Knobs



## Frigidaire® FGC30S4A S/Q

- 30" Porcelain Spill-Control Cooktop
- 1 - 12,000 BTU Sealed Power Burner
- 2 - 9,100 BTU Sealed Burners
- 1 - 5,000 BTU (500 Low Simmer) Sealed Burner
- UltraSoft™ Design Cast Iron Grates and Burner Caps
- Side-Mounted Linear Flow Gas Valves
- Removable Control Knobs
- Available in White and Bisque

Also Available:

## FGC30S4D B

- 30" Porcelain Spill-Control Cooktop
- Available in Black
- Same Features as FGC30S4A S/Q



Frigidaire®  
**FGC36C4A W/U**

- 36" Narrow Depth (18") Porcelain Spill-Control Cooktop
- 4-9,000 BTU Conventional Burners
- Electronic Pilotless Ignition
- Round Porcelain-Coated Steel Grates
- Removable Chrome Drip Pans
- Lift-Up Cooktop for Easy Cleaning
- Front-Mounted Removable Knobs
- Available in White and Bisque



Frigidaire®  
**FGC30C3A W**

- 30" Porcelain Spill-Control Cooktop
- 4-9,000 BTU Conventional Burners
- Electronic Pilotless Ignition
- Round Porcelain-Coated Steel Grates
- Lift-Up Cooktop for Easy Cleaning
- Side-Mounted Removable Knobs
- Available in White



Frigidaire®  
**FGC26C3A W/U**

- 26" Porcelain Spill-Control Cooktop
- 4-9,000 BTU Conventional Burners
- Electronic Pilotless Ignition
- Round Porcelain-Coated Steel Grates with Chrome Drip Pans
- Lift-Up Cooktop for Easy Cleaning
- Side-Mounted Removable Knobs
- Available in White and Bisque





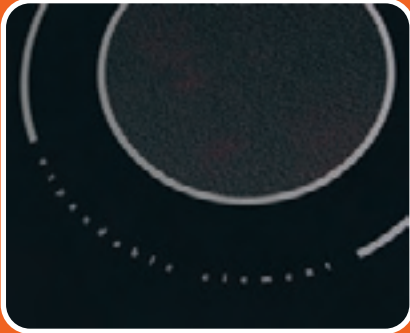
Professional Series® products

30" Built-In Single Oven PLEB30S9FC

30" Warm & Serve® Drawer PLEW30S3FC

36" Gas Cooktop PLGC36S9EC

## Electric Cooktop Features



**High-Performance Expandable Element**  
Functioning as two elements in one, the 1200-watt, six-inch element expands to a 2500-watt, nine-inch element to quickly accommodate larger pans.



**Multi-Wrap Coil Elements**  
With a greater number of coils, surface contact is increased for faster heating and a stable cooking surface.



**Center Warm & Serve™ Zone Element**  
A 100-watt heating element on the cooktop helps to keep prepared foods warm until you're ready to serve.



**Precision Set™ Surface Controls**  
From simmer to boil, experience the complete and accurate control that is the latest innovation in electric surface cooking.



**QuadMaxx™**  
A ceramic smoothtop cooking surface with four expandable elements, QuadMaxx™ provides precisely the right heat regardless of pan size.



**Bridge Element**  
Perfect for griddles or large oblong pans. Elements can be "bridged" to create a 4400-watt cooking surface as large as 18" x 7".

# Frigidaire



## Professional Series®

### PLEC36S9E C

- 36" Smoothtop Ceramic Cooking Surface with Pencil Edge Design
- QuadMaxx™ Cooking Surface
- 2-5" to 7" Expandable Ribbon Elements
- 2-6" to 9" Expandable Ribbon Elements
- 1-6" Radiant Ribbon Element
- 5-Position "Hot" Surface Indicator Lights
- Precision Set™ Front-Mounted Surface Controls
- Stainless Steel Trims



## Professional Series®

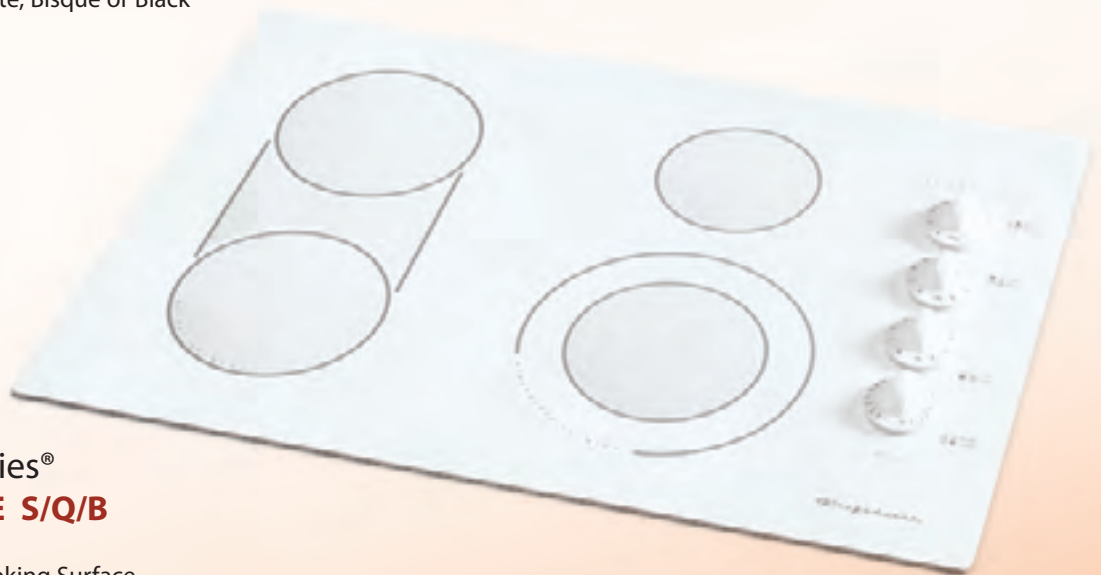
### PLEC30S9E C

- 30" Smoothtop Ceramic Cooking Surface with Pencil Edge Design
- QuadMaxx™ Cooking Surface
- 2-5" to 7" Expandable Ribbon Elements
- 2-6" to 9" Expandable Ribbon Elements
- QuadMaxx™ Expandable Elements
- 4-Position "Hot" Surface Indicator Lights
- Precision Set™ Side-Mounted Surface Controls
- Stainless Steel Trims



Gallery Series®  
GLEC36S8E S/Q/B

- 36" Ceramic Cooking Surface with Flush-Look Beveled Edge Design
- 7"/7" Bridge Element
- 1-6" to 9" Expandable Element
- 1-6" Radiant Element
- Warm & Serve™ Zone
- 5-Position "Hot" Surface Indicator Lights
- Front-Mounted Removable Control Knobs
- Available in White, Bisque or Black



Gallery Series®  
GLEC30S8E S/Q/B

- 30" Ceramic Cooking Surface with Flush-Look Beveled Edge Design
- 7"/7" Bridge Element
- 1-6" to 9" Expandable Element
- 1-6" Radiant Element
- 4-Position "Hot" Surface Indicator Lights
- Removable Control Knobs
- Available in White, Bisque or Black

# Frigidaire



## Frigidaire® **FEC36S7E C**

- 36" Smoothtop Ceramic Cooking Surface with Pencil Edge
- 1-9" High-Performance 2700 Watt Ribbon Element
- 1-6" to 9" Expandable Ribbon Element
- 2-6" Radiant Ribbon Elements
- Warm & Serve™ Zone
- 5-Position "Hot" Surface Indicator Lights
- Removable Control Knobs
- Stainless Steel Trim



## Frigidaire® **FEC36S7E S/B**

- 36" Smoothtop Ceramic Cooking Surface with Pencil Edge
- 1-9" High-Performance 2700 Watt Ribbon Element
- 1-6" to 9" Expandable Ribbon Element
- 2-6" Radiant Ribbon Elements
- Warm & Serve™ Zone
- 5-Position "Hot" Surface Indicator Lights
- Removable Control Knobs
- Available in White and Black



Frigidaire®  
**FEC30S7E C**

- 30" Smoothtop Ceramic Cooking Surface with Pencil Edge
- 1-9" High-Performance 2700 Watt Ribbon Element
- 1-6" to 9" Expandable Ribbon Element
- 2-6" Radiant Ribbon Elements
- 4-Position "Hot" Surface Indicator Lights
- Removable Control Knobs
- Stainless Steel Trim



Frigidaire®  
**FEC30S7E S/B**

- 30" Smoothtop Ceramic Cooking Surface with Pencil Edge
- 1-9" High-Performance 2700 Watt Ribbon Element
- 1-6" to 9" Expandable Ribbon Element
- 2-6" Radiant Ribbon Elements
- 4-Position "Hot" Surface Indicator Lights
- Removable Control Knobs
- Available in White and Black

# Frigidaire

## Frigidaire® FEC36S6E S/B



- 36" Smoothtop Ceramic Cooking Surface with Beveled Edge
- 1-9" High-Performance 2500 Watt Ribbon Element
- 1-8" Radiant Ribbon Element
- 2-6" Radiant Ribbon Elements
- 5-Position "Hot" Surface Indicator Lights
- Warm & Serve™ Zone
- Center-Mounted Removable Control Knobs
- Available in White and Black

## Frigidaire® FEC32S6A S/B



- 32" Smoothtop Ceramic Cooking Surface with Beveled Edge
- 1-9" High-Performance 2500 Watt Ribbon Element
- 1-8" Radiant Ribbon Element
- 2-6" Radiant Ribbon Elements
- Hot Surface Indicator
- Removable Control Knobs
- Available in White and Black

## Frigidaire® FEC30S6A S/B



- 30" Smoothtop Ceramic Cooking Surface with Beveled Edge
- 1-9" High-Performance 2500 Watt Ribbon Element
- 1-8" Radiant Ribbon Element
- 2-6" Radiant Ribbon Elements
- Hot Surface Indicator
- Removable Control Knobs
- Available in White and Black

### Also Available: FEC30S6D Q

- 30" Smoothtop Ceramic Cooking Surface with Beveled Edge
- Available in Bisque
- Same Features as FEC30S6A S/B



Frigidaire®  
**FEC32C4A S/Q/C**

- 32" Spill Saver™ Porcelain/Chrome Cooktop
- 2-8" Multi-Wrap Coil Elements
- 2-6" Multi-Wrap Coil Elements
- Chrome Drip Bowls
- Surface "ON" Indicator
- Removable Control Knobs
- Available in White, Bisque and Brushed Chrome



Frigidaire®  
**FEC36C4A S/C**

- 36" Spill Saver™ Porcelain/Chrome Cooktop
- 2-8" Multi-Wrap Coil Elements
- 2-6" Multi-Wrap Coil Elements
- Chrome Drip Bowls
- Surface "ON" Indicator
- Removable Control Knobs
- Lift-Up Cooktop
- Available in White and Brushed Chrome



Frigidaire®  
**FEC36C2A S/Q**

- 36" Spill Saver™ Porcelain Cooktop
- Exclusive Slimline 18" Depth Design
- 2-8" Coil Elements
- 2-6" Coil Elements
- Chrome Drip Bowls
- Surface "ON" Indicator
- Removable Control Knobs
- Lift-Up Cooktop
- Available in White and Bisque



# Frigidaire



Frigidaire®

**FEC30C4A S/Q/B/C**

- 30" Spill Saver™ Porcelain/Chrome Cooktop
- 2-8" Multi-Wrap Coil Elements
- 2-6" Multi-Wrap Coil Elements
- Chrome Drip Bowls
- Surface "ON" Indicator
- Lift-Up Cooktop
- Removable Control Knobs
- Available in White, Bisque, Black and Brushed Chrome



Frigidaire®

**FEC26C2A S/C**

- 26" Spill Saver™ Porcelain/Chrome Cooktop
- 1-8" Coil Element
- 3-6" Coil Elements
- Chrome Drip Bowls
- Surface "ON" Indicator
- Lift-Up Cooktop
- Removable Control Knobs
- Available in White and Brushed Chrome

## Accessories



**18-Oz. CERAMA BRYTE® Cooktop Cleaner**  
Removes baked-on food stains and spills without scratching or marring your appliance's finish.

5304433208



**Stainless Steel Cleaning Polish and Conditioner**  
Polish your stainless steel to a darker shine while removing fingerprints and smudges quickly and easily.

5304436717



**Kitchen Care Kit**  
Everything you need to keep your kitchen appliances looking new including nonabrasive kitchen cleaners, microfiber sponges and scraper.

5304436288



**Nonabrasive Microfiber Sponge**  
Gently and effectively wipe away stains with soft, nonabrasive microfiber that won't scratch appliance surfaces.

Washing machine safe. 5304434804



**16-Oz. Stainless Steel Appliance Cleaner**  
Preserve the look of your stainless steel appliances for years to come. Provides protection from fingerprints and smudges.

5304433275



**Glass & Ceramic Cooktop Scraper**  
Remove burned-on food and other difficult stains without scratching your glass or ceramic cooktop. Easy-grip handler makes cleaning quick and safe.

5304433288



**Stainless Steel Cleaning Polish and Conditioner Wipes**  
Handy Stainless Steel Wipes remove fingerprints and smudges while adding a layer of protection. Available in a ready-to-use canister.

5305512345



**Kitchen Grips**  
Constructed of a stain-free material that is liquid impermeable and resists heat up to 500°F for the ultimate in protection against accidental scalds or burns.

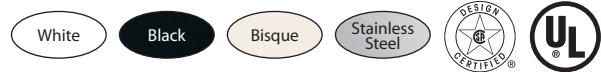
GMBLUEC - Blue  
GMGRNEC - Green

GMREDEC - Red  
GMBLKEC - Black

## SEALED BURNER COOKTOPS

Models	PLGC3659E	GLGC3659E	GLGC3658E	FGC3656A	FGC3655E	FGC3655A
Series	Professional	Gallery	Gallery	Frigidaire	Frigidaire	Frigidaire
Nominal Product Size	36"	36"	36"	36"	36"	36"
<b>Cooktop Features</b>						
Stainless Steel Cooktop	•				Spill Control	
Ceramic Glass Cooktop Surface			•	•		
Porcelain Cooktop		•				Spill Control
Deep Sump Cooktop	•	•				
Cast Iron Grates	Full-Width Pro Matte	Full-Width Gloss	Full-Width Gloss	Gloss	Gloss	Gloss
Black Porcelain Drip Pans					•	•
Color-Coordinated Porcelain Drip Pans				•		
Sealed Burner - 14,000 BTU Power Burner	1	1	1			
Sealed Burner - 12,000 BTU Power Burner	1	1		1	1	1
Sealed Burner - 11,000 BTU Power Burner			1			
Sealed Burner - 9,500 BTU	2	2	2			
Sealed Burner - 9,100 BTU				2	2	2
Sealed Burner - 5,000 BTU (Low Simmer)	1	1	1	1	1	1
Linear Flow Burner Valves	•	•	•	•	•	•
Electronic Ignition	•	•	•	•	•	•
<b>Color /UPC (0-57112-)</b>						
Stainless Steel & Black (C)	09098-6				09017-1	
White-on-White (S)		09095-5	09084-9	08050-5		
Bisque-on-Bisque (Q)		09096-2	09085-6			
Black-on-Black (B)		09097-9	09086-3	08051-2		08049-9
White (W)						08048-2
<b>Specifications</b>						
Gas Inlet Location	Right Rear	Right Rear	Right Rear	Right Rear	Right Rear	Right Rear
Shipping Weight (Approx.)	60 Lbs.	50 Lbs.	50 Lbs.	35 Lbs.	39 Lbs.	36 Lbs.
LP Conversion Kit (Optional Accessory)	Included	Included	Included	Included	Included	Included
120V/60Hz/15 Amp Power Source Required	•	•	•	•	•	•
Combination with Under-Counter Wall Oven	•	•	•	•	•	•

Models	PLGC3059E	GLGC3059E	GLGC3058E	FGC3054DC	FGC3054D	FGC3054A
Series	Professional	Gallery	Gallery	Frigidaire	Frigidaire	Frigidaire
Nominal Product Size	30"	30"	30"	30"	30"	30"
<b>Cooktop Features</b>						
Stainless Steel Cooktop	•			Spill Control		
Ceramic Glass Cooktop Surface			•			
Porcelain Cooktop		•			Spill Control	Spill Control
Deep Sump Cooktop	•	•				
Cast Iron Grates	Full-Width Pro Matte	Full-Width Gloss	Full-Width Gloss	Gloss	Gloss	Gloss
Black Porcelain Drip Pans				•	•	•
Color-Coordinated Porcelain Drip Pans						
Sealed Burner - 14,000 BTU Power Burner	1	1	1			
Sealed Burner - 12,000 BTU Power Burner	1	1		1	1	1
Sealed Burner - 11,000 BTU Power Burner			1			
Sealed Burner - 9,500 BTU	1	1	1			
Sealed Burner - 9,100 BTU				2	2	2
Sealed Burner - 5,000 BTU (Low Simmer)	1	1	1	1	1	1
Linear Flow Burner Valves	•	•	•	•	•	•
Electronic Ignition	•	•	•	•	•	•
<b>Color /UPC (0-57112-)</b>						
Stainless Steel & Black (C)	09091-7			08791-7		
White-on-White (S)		09087-0	09081-8			08052-9
Bisque-on-Bisque (Q)		09088-7	09082-5			08053-6
Black-on-Black (B)		09090-0	09083-2		08907-2	
White (W)						
<b>Specifications</b>						
Gas Inlet Location	Right Rear	Right Rear	Right Rear	Right Rear	Right Rear	Right Rear
Shipping Weight (Approx.)	46 Lbs.	48 Lbs.	40 Lbs.	43 Lbs.	43 Lbs.	43 Lbs.
LP Conversion Kit (Optional Accessory)	Included	Included	Included	Included	Included	Included
120V/60Hz/15 Amp Power Source Required	•	•	•	•	•	•
Combination with Under-Counter Wall Oven	•	•	•	•	•	•



## SEALED BURNER RATINGS

Maximum Output –	Low Turn-Down Output –
14,000 BTU Natural Gas/11,000 BTU LP Gas	1,800 BTU Natural Gas/1,800 BTU LP Gas
13,000 BTU Natural Gas/11,000 BTU LP Gas	1,800 BTU Natural Gas/1,800 BTU LP Gas
12,000 BTU Natural Gas/11,000 BTU LP Gas	1,800 BTU Natural Gas/1,800 BTU LP Gas
11,000 BTU Natural Gas/10,000 BTU LP Gas	1,800 BTU Natural Gas/1,800 BTU LP Gas
9,500 BTU Natural Gas/8,000 BTU LP Gas	1,200 BTU Natural Gas/1,200 BTU LP Gas
9,100 BTU Natural Gas/7,500 BTU LP Gas	1,200 BTU Natural Gas/1,200 BTU LP Gas
5,000 BTU Natural Gas/4,000 BTU LP Gas	675 BTU Natural Gas/675 BTU LP Gas

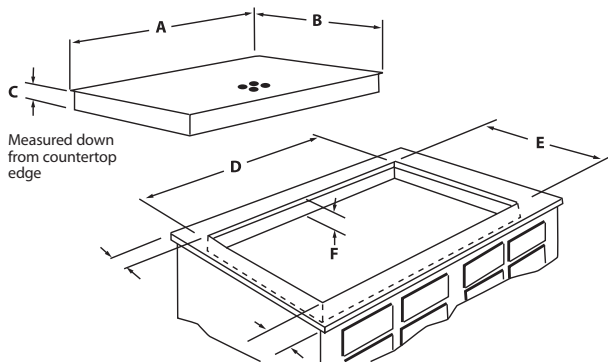
### OPEN BURNER COOKTOPS

Models	FGC36C4A	FGC30C3A	FGC26C3A
Series	Frigidaire	Frigidaire	Frigidaire
Nominal Product Size	36"	30"	26"
<b>Cooktop Features</b>			
Porcelain Spill-Control Cooktop	*	*	*
Porcelain-Coated Round Steel Grates	*	*	*
Chrome Drip Pans	*	*	*
Four 9,000 BTU Conventional Burners	*	*	*
Electronic Ignition	*	*	*
Lift-Up Cooktop with Support Rod	*	*	*
Lift-Up Cooktop	*	*	*
Removable Knobs	*	*	*
<b>Color/U/C (0-57112-)</b>			
White (W)	08046-8	08141-0	08044-4
Bisque (U)	08047-5		08045-1
<b>Specifications</b>			
Gas Inlet Location	Middle Front	Right Rear	Right Rear
Shipping Weight (Approx.)	26 Lbs.	28 Lbs.	26 Lbs.
LP Convertible (No Parts Required)	*	*	*
120V/60Hz/15 Amp Power Source Required	*	*	*
<b>Open Burner Ratings</b>			
9,000 BTU - Natural Gas / 7,500 BTU - LP Gas			



### GAS COOKTOP INSTALLATION

The following dimension and cutout information is for planning purposes only. For complete installation details consult manual packed with product, or download manual at Customer Service, online at [frigidaire.com](http://frigidaire.com).



### GAS COOKTOP DIMENSIONS

Models	Exterior Dimensions			Cutout Dimensions				F - Clearance Required U/C	Gas Inlet Location	Install Over U/C Wall Oven
	A - Width	B - Depth	C - Height	D - Width		E - Depth				
				Minimum	Maximum	Minimum	Maximum			
<b>36" Cooktops</b>										
PLGC36S9E	36"	21-1/2"	2-3/4"	33-7/8"	34-1/4"	19-1/8"	19-3/4"	8"	Right Rear	*
GLGC36S9E	36"	21-1/2"	2-3/4"	33-7/8"	34-1/4"	19-1/8"	19-3/4"	8"	Right Rear	*
GLGC36S8E	36"	21-1/2"	2-3/4"	32-3/4"	33"	19"	19-3/8"	5"	Right Rear	*
FGC36S6A	36"	18"	3-1/2"	34-1/4"	34-3/8"	16-5/8"	16-3/4"	5"	Right Rear	*
FGC36S5E	36"	18"	3-1/2"	34-1/4"	34-3/8"	16-5/8"	16-3/4"	5"	Right Rear	*
FGC36S5A	36"	18"	3-1/2"	34-1/4"	34-3/8"	16-5/8"	16-3/4"	5"	Right Rear	*
FGC36C4A	36"	18-5/8"	3-1/4"	34-1/4"	34-3/8"	16-5/8"	16-3/4"	5"	Mid-Front	
<b>30" Cooktops</b>										
PLGC30S9E	30"	21-1/2"	2-3/4"	27-1/4"	28-1/2"	19-1/8"	19-3/4"	8"	Right Rear	*
GLGC30S9E	30"	21-1/2"	2-3/4"	27-1/4"	28-1/2"	19-1/8"	19-3/4"	8"	Right Rear	*
GLGC30S8E	30"	21-1/2"	2-3/4"	26-5/8"	26-7/8"	19"	19-3/4"	5"	Right Rear	*
FGC30S4D	30"	21-1/2"	3-1/8"	26-5/8"	26-7/8"	19"	19-3/8"	5"	Right Rear	*
FGC30S4A	30"	21-1/2"	3-1/8"	26-5/8"	26-7/8"	19"	19-3/8"	5"	Right Rear	*
FGC30C3A	30"	21-1/2"	3-1/8"	26-5/8"	26-7/8"	19"	19-3/8"	5"	Right Rear	
<b>26" Cooktops</b>										
FGC26C3A	25-3/4"	21-9/16"	3-1/2"	25"	25"	20-1/2"	20-1/2"	5"	Right Rear	

Specifications subject to change.

## ELECTRIC SMOOTHTOP COOKTOPS

Models	PLEC3659E	GLEC3658E	FEC3657EC	FEC3657E	FEC3656E	FEC3256A
Series	Professional	Gallery	Frigidaire	Frigidaire	Frigidaire	Frigidaire
Nominal Product Size	36"	36"	36"	36"	36"	32"
<b>Cooktop Features</b>						
White Ceramic Glass Cooktop		*		*	*	*
Bisque Ceramic Glass Cooktop		*				
Black Ceramic Cooktop		*		*	*	*
Black Ceramic with Stainless Steel Trim Cooktop	*		*			
QuadMaxx™ Cooking Surface	*					
7"/Bridge/7" (1800W/800W/1800W) Element		1				
5" to 7" (750W/1800W) Expandable Element	2					
6" to 9" (1200W/2500W) Expandable Element	2	1	1	1		
9" to 12" (1700W/2700W) Expandable Element						
Warm & Serve™ Zone		1	1	1	1	
9" (2700W) Element			1	1		
9" (2500W) Element					1	1
8" (2200W) Element					1	1
7" (1800W) Element						
6" (1200W) Element	1	1	2	2	2	2
Precision Set™ Surface Controls	*					
Hot Surface Indicator Light (# Positions)	5	5	5	5	5	1
<b>Color / UPC (0-57112-)</b>						
White-on-White (S)		09212-6		09078-8	09076-4	08035-2
Bisque-on-Bisque (Q)		09213-3				
Black-on-Black (B)		09211-9		09079-5	09077-1	08036-9
Black with Stainless Steel Trim (C)	09002-3		09080-1			
<b>Dimensions / Specifications</b>						
Armored Electrical Cable	Included	Included	Included	Included	Included	Included
Cable Location	Left Front	Middle	Middle	Middle	Middle	Left Side
Combination with Under-Counter Wall Oven	*	*	*	*	*	*
Shipping Weight (Approx.)	49 Lbs.	45 Lbs.	43 Lbs.	42 Lbs.	42 Lbs.	41 Lbs.
Connected Load (kW Rating) 240/208 Volts	9.8/8.5	8.3/6.2	7.8/5.9	7.8/5.9	7.3/5.5	6.5/4.9
Amps @ 240/208 Volts	40.8/34.7	34.6/29.8	32.5/28.5	32.5/28.5	30.4/25.8	21.7/18.8
Minimum Circuit Required - Amps*	40	30	30	30	30	30
Armored Electrical Cable	*	*	*	*	*	*

\*Consult Local/National Electric Codes

Models	PLEC3059E	GLEC3058E	FEC3057EC	FEC3057E	FEC3056D	FEC3056A
Series	Professional	Gallery	Frigidaire	Frigidaire	Frigidaire	Frigidaire
Nominal Product Size	30"	30"	30"	30"	30"	30"
<b>Cooktop Features</b>						
White Ceramic Glass Cooktop		*		*		*
Bisque Ceramic Glass Cooktop		*			*	
Black Ceramic Cooktop		*		*		*
Black Ceramic with Stainless Steel Trim Cooktop	*		*			
QuadMaxx™ Cooking Surface	*					
7"/Bridge/7" (1800W/800W/1800W) Element		1				
5" to 7" (750W/1800W) Expandable Element	2					
6" to 9" (1200W/2500W) Expandable Element	2	1	1	1		
9" to 12" (1700W/2700W) Expandable Element						
Warm & Serve™ Zone						
9" (2700W) Element			1	1		
9" (2500W) Element					1	1
8" (2200W) Element					1	1
7" (1800W) Element						
6" (1200W) Element		1	2	2	2	2
Precision Set™ Surface Controls	*					
Hot Surface Indicator Light (# Positions)	4	4	4	4	1	1
<b>Color / UPC (0-57112-)</b>						
White-on-White (S)		09215-7		09073-3		08033-8
Bisque-on-Bisque (Q)		09216-4			08880-8	
Black-on-Black (B)		09214-0		09074-0		08034-5
Black with Stainless Steel Trim (C)	08998-0		09075-7			
<b>Dimensions / Specifications</b>						
Armored Electrical Cable	Included	Included	Included	Included	Included	Included
Cable Location	Right Rear	Right Rear	Right Rear	Right Rear	Right Rear	Right Rear
Combination with Under-Counter Wall Oven	*	*	*	*	*	*
Shipping Weight (Approx.)	45 Lbs.	44 Lbs.	41 Lbs.	40 Lbs.	38 Lbs.	38 Lbs.
Connected Load (kW Rating) 240/208 Volts	8.6/7.4	8.1/6.1	7.6/5.7	7.6/5.7	6.5/4.9	6.5/4.9
Amps @ 240/208 Volts	35.8/30.7	33.75/29.32	31.67/27.4	31.67/27.4	21.7/18.8	21.7/18.8
Minimum Circuit Required - Amps*	30	30	30	30	30	30
Armored Electrical Cable	*	*	*	*	*	*

\*Consult Local/National Electric Codes



## ELECTRIC COIL TOP COOKTOPS

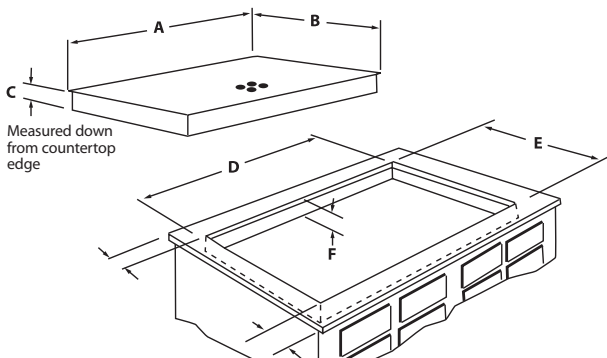
Models	FEC36C4A	FEC36C2A	FEC32C4A	FEC30C4A	FEC26C2A
Series	Frigitaire	Frigitaire	Frigitaire	Frigitaire	Frigitaire
Nominal Product Size	36"	36"	32"	30"	26"
<b>Cooktop Features</b>					
Color-Coordinated Porcelain Cooktop	•	•	•	•	•
Brushed Chrome Cooktop	• (C)		• (C)	• (C)	• (C)
Multi-Wrap Coil 2-8", 2-6" (2100W/1250W)	•		•	•	
Standard Coil 2-8", 2-6" (2100W/1250W)		•			
Standard Coil 1-8", 3-6" (2100W/1250W)					•
Lift-Up Cooktop with Support Rod	•	•	•	•	•
Chrome Drip Bowls	•	•	•	•	•
Spill Control Cooktop	•	•	•	•	•
<b>Color/UPC (0-57112-)</b>					
White-on-White (S)	07992-9	07994-3	07989-9	07985-1	07982-0
Bisque-on-Bisque (Q)		07995-0	07990-5	07986-8	
Black-on-Black (B)				07987-5	
Chrome (C)	07993-6		07991-2	07988-2	07984-4
<b>Dimensions/Specifications</b>					
Armored Electrical Cable	Included	Included	Included	Included	Included
Cable Location	Right Rear	Mid-Front	Left Side	Right Rear	Right Rear
Combination with Under-Counter Wall Oven	•	•	•	•	•
Shipping Weight (Approx.)	27 Lbs.	22 Lbs.	24 Lbs.	24 Lbs.	24 Lbs.
Connected Load (kW Rating) 240/208 Volts	6.7/5.0	6.7/5.0	6.7/5.0	6.7/5.0	5.9/4.4
Amps @ 240/208 Volts	22.3/19.2	22.3/19.2	22.3/19.2	22.3/19.2	19.7/16.6
Minimum Circuit Required - Amps*	30	30	30	30	30
Armored Electrical Cable	•	•	•	•	•

\*Consult Local/National Electric Codes



## ELECTRIC COOKTOP INSTALLATION

The following dimension and cutout information is for planning purposes only. For complete installation details consult manual packed with product, or download manual at Customer Service, online at [frigidaire.com](http://frigidaire.com).



## ELECTRIC COOKTOP DIMENSIONS

Models	Exterior Dimensions			Cutout Dimensions				F - Clearance Required U/C	Electrical Connection	Install Over U/C Wall Oven
	A - Width	B - Depth	C - Height	D - Width		E - Depth				
				Minimum	Maximum	Minimum	Maximum			
<b>36" Cooktops</b>										
PLEC36S9E	36-3/4"	21-1/2"	3-1/4"	35-5/8"	36-1/8"	20-1/4"	20-1/2"	6"	Left Front	•
GLEC36S8E	36-3/4"	21-3/8"	3-1/4"	35-5/8"	36-1/8"	20-1/4"	20-1/2"	5"	Middle	•
FEC36S7E	36-3/4"	21-3/8"	3-1/4"	35-5/8"	36-1/8"	20-1/4"	20-1/2"	5"	Middle	•
FEC36S6E	36-3/4"	21-3/8"	3-1/4"	35-5/8"	36-1/8"	20-1/4"	20-1/2"	5"	Middle	•
FEC36C4A	36"	21-1/2"	3"	32-3/4"	34-1/4"	19"	20"	5"	Right Rear	•
FEC36C2A	36"	18"	3-7/8"	34-1/4"	34-3/8"	16-5/8"	16-3/4"	5-7/8"	Mid-Front	•
<b>32" Cooktops</b>										
FEC32S6A	32-1/4"	20-1/4"	3-3/4"	31"	31-1/4"	19"	19-1/4"	5-3/4"	Left Side	•
FEC32C4A	32-1/4"	20-1/4"	3-3/4"	31"	31-1/4"	19"	19-1/4"	5-3/4"	Left Side	•
<b>30" Cooktops</b>										
PLEC30S9E	30-3/4"	21-1/2"	4-5/8"	29-5/8"	29-3/4"	20-1/4"	20-1/2"	6"	Right Rear	•
GLEC30S8E	30-3/4"	21-3/8"	3-1/4"	29-5/8"	29-7/8"	20-1/4"	20-1/2"	5"	Right Rear	•
FEC30S7E	30-3/4"	21-3/8"	3-1/4"	29-5/8"	29-7/8"	20-1/4"	20-1/2"	5"	Right Rear	•
FEC30S6D	30-3/4"	21-3/8"	3"	29-5/8"	29-7/8"	20-1/4"	20-1/2"	5"	Right Rear	•
FEC30S6A	30-3/4"	21-3/8"	3"	29-5/8"	29-7/8"	20-1/4"	20-1/2"	5"	Right Rear	•
FEC30C4A	30"	21-1/2"	3"	26-3/4"	28-1/4"	19-1/8"	20"	5"	Right Rear	•
<b>26" Cooktops</b>										
FEC26C2A	25-3/4"	21-9/16"	3-1/2"	25"	25"	20-1/2"	20-1/2"	5-1/2"	Right Rear	•



### LIMITED ONE-YEAR WARRANTY

This warranty does not cover the following:

- Products with original serial numbers that have been removed, altered or cannot be readily determined.
- Product that has been transferred from its original owner to another party or removed outside the USA or Canada.
- Rust on the interior or exterior of the unit.
- Products purchased "as-is" are not covered by this warranty.
- Food loss due to any refrigerator or freezer failures.
- Products used in a commercial setting.
- Service calls which do not involve malfunction or defects in materials or workmanship, or for appliances not in ordinary household use or used other than in accordance with the provided instructions.
- Service calls to correct the installation of your appliance or to instruct you how to use your appliance.
- Expenses for making the appliance accessible for servicing, such as removal of trim, cupboards, shelves, etc., which are not a part of the appliance when it is shipped from the factory.
- Service calls to repair or replace appliance light bulbs, air filters, water filters, other consumables, or knobs, handles, or other cosmetic parts.
- Surcharges including, but not limited to, any after hour, weekend, or holiday service calls, tolls, ferry trip charges, or mileage expense for service calls to remote areas, including the state of Alaska.
- Damages to the finish of appliance or home incurred during installation, including but not limited to floors, cabinets, walls, etc.
- Damages caused by: services performed by unauthorized service companies; use of parts other than genuine Electrolux parts or parts obtained from persons other than authorized service companies; or external causes such as abuse, misuse, inadequate power supply, accidents, fires, or acts of God.

### DISCLAIMER OF IMPLIED WARRANTIES; LIMITATION OF REMEDIES

Customer's sole and exclusive remedy under this limited warranty shall be product repair or replacement as provided herein. Claims based on implied warranties, including warranties of merchantability or fitness for a particular purpose, are limited to one year or the shortest period allowed by law, but not less than one year. Electrolux shall not be liable for consequential or incidental damages such as property damage and incidental expenses resulting from any breach of this written limited warranty or any implied warranty. Some states and provinces do not allow the exclusion or limitation of incidental or consequential damages, or limitations on the duration of implied warranties, so these limitations or exclusions may not apply to you. This written warranty gives you specific legal rights. You may also have other rights that vary from state to state.

### IF YOU NEED SERVICE

Keep your receipt, delivery slip, or some other appropriate payment record to establish the warranty period should service be required. If service is performed, it is in your best interest to obtain and keep all receipts. Service under this warranty must be obtained by contacting Electrolux at the addresses or phone numbers below. Your appliance is covered by a one year limited warranty. For one year from your original date of purchase, Electrolux will pay all costs for repairing or replacing any parts of this appliance that prove to be defective in materials or workmanship when such appliance is installed, used, and maintained in accordance with the provided instructions. This warranty only applies in the USA and Canada. In the USA, your appliance is warranted by Electrolux Major Appliances North America, a division of Electrolux Home Products, Inc. In Canada, your appliance is warranted by Electrolux Canada Corp. Electrolux authorizes no person to change or add to any obligations under this warranty. Obligations for service and parts under this warranty must be performed by Electrolux or an authorized service company. Product features or specifications as described or illustrated are subject to change without notice.

### USA

#### Electrolux Major Appliances, North America

250 Bobby Jones Expressway  
Martinez, GA 30907  
1-800-FRIGIDAIRE  
[frigidaire.com](http://frigidaire.com)

### CANADA

#### Electrolux Canada Corporation

5855 Terry Fox Way  
Mississauga, ON L5V 3E4  
1-800-668-4606



Every Frigidaire® appliance is backed by the global strength of the Electrolux Group, the world's largest manufacturer of kitchen and cleaning appliances.