

Built-In Microwave

EW27MO55H S

Featuring Wave-Touch™ Electronic Controls



Wave-Touch™ Controls

One simple touch and the control panel activates, showing the virtually endless cooking options. After you make your choices, all but the options selected will fade away, returning to an elegant display.



Premium Sensor Cooking

Twelve Sensor One-Touch options available to determine exact cooking time of many commonly prepared dishes. Sensors eliminate guesswork by automatically calculating remaining cooking time.



Automatic Cooking Options:

Features 12 Auto Cook options, 3 Auto Reheat options and 6 Auto Defrost options for amazing cooking flexibility. The 30-minute Keep Warm function maintains dishes at optimal serving temperatures.



Multi-Stage Cooking Options

Four cooking options ensure any dish requiring multiple cooking stages is optimally prepared. Easily defrost and cook with simple commands.

27" BUILT-IN MICROWAVE WITH DROP-DOWN DOOR

Oven Cavity	1.5 Cu. Ft.
Watts	900
Oven Interior	Cobalt Blue
Interior Krypton Light	Yes
Porcelain Enamel Turntable	Cobalt Blue

Control Panel Features

Wave-Touch™ Electronic Controls	Yes
VFD Front Display with Blue Indicators	Yes
Electronic Clock & Timer	Yes
Humidity Sensor	Yes
Power Levels	11
Touch Pad Controls	29
Auto Defrost Options	6
Auto Cook Options – Pizza (1), Snacks (3), Kid's Meals (3), Soften/Melt (4), Beverage (1)	12
Auto Reheat Options – Breads/Muffins (2), Pasta/Casserole (1)	3
Sensor One-Touch Options – Cook (5), Reheat (1), Popcorn (2), Baked Potato (1), Frozen Vegetables (1), Fresh Vegetables (2)	12
Multi-Stage Cooking Options	4
Add 30 Seconds	Yes
Custom Help Options	Yes
Panel Lock	Yes
Demo Mode	Yes
Adjustable Sound Level For Timers/Reminders	Yes
More/Less Function	Yes
Power Failure Indicator	Yes

Additional Features

Signature Soft-Arc Oven Door and Handle Design	Yes
Glass Window	Yes

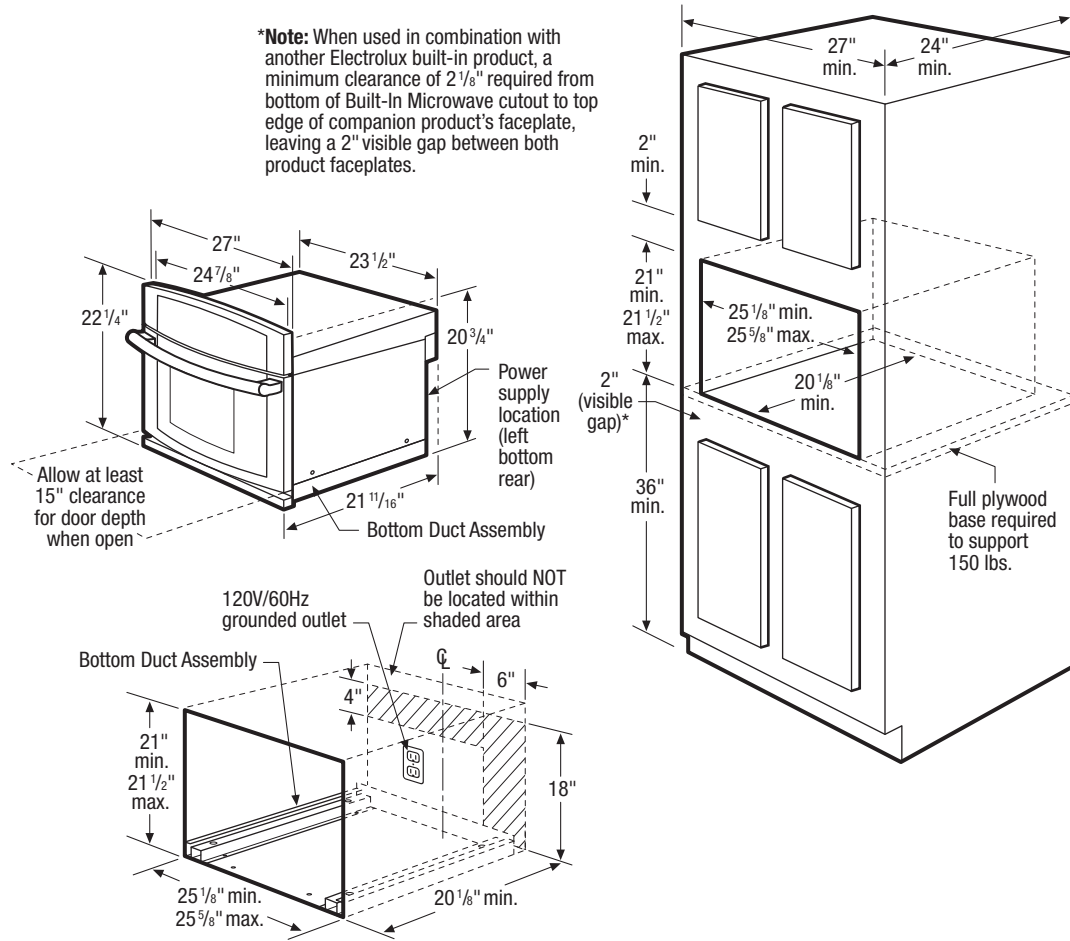
Specifications

Color – Stainless Steel	S
Oven Cavity Dimensions –	
Height	9-5/8"
Width	16-1/8"
Depth	16-1/8"
Overall Exterior Dimensions –	
Height	22-1/4"
Width	27"
Depth (to Front Door Corner)	21-11/16"
Approved for Electric Single Oven Combination Installation*	Yes
Power Supply Connection Location	Left Bottom Rear
Voltage Rating	120V/60Hz/15A
Connected Load (kW Rating) @ 120 Volts†	1.6
Amps @ 120V	13.7
Electrical Cable	Included
Microwave – Watts @ 120 Volt input	1550
Frequency (Mhz)	2450
Shipping Weight (Approx.)	84 Lbs.

† For use on adequately wired 120V, dedicated circuit having 2-wire service with a separate ground wire. Appliance must be grounded for safe operation.

* Approved to be used in combination with any Electrolux Electric Single Wall Oven and/or Warmer Drawer.

NOTE: Always consult local and/or national electric codes. Refer to Product Installation Guide for detailed installation instructions on the web at electroluxappliances.com. Specifications subject to change.



27" Built-In Microwave Specifications

- Product Weight – 79 Lbs.
- Voltage Rating – 120V/60Hz/15 Amps
- Connected Load (kW Rating) @ 120 Volts = 1.6kW (For use on adequately wired 120V, dedicated circuit having 2-wire service with a separate ground wire. Appliance must be grounded for safe operation.)
- Amps @ 120 Volts = 13.7 Amps
- Always consult local and/or national electric codes.
- Allow at least 15" clearance for oven door depth when open.
- Minimum required distance from floor is 36".
- Minimum 20-1/8" deep oven cutout dimension is critical for proper installation for oven and faceplate to fit flush against cabinet front.
- Full oven base of solid plywood or similar material required, capable of supporting 150 Lbs.

- Base must be level and cabinet front must be square.
- Grounded outlet should NOT be located in shaded area, as indicated.
- Built-In Microwave is NOT approved to be used under counter.
- Built-In Microwave can be built in alone or is approved to be used in combination with any Electrolux Electric Single Wall Oven and/or Warmer Drawer. (Refer to model-specific Combination Installation Specification pages on web.)
- When used in combination with another Electrolux built-in product, a minimum clearance of 2-1/8" required from bottom of Built-In Microwave cutout to top edge of companion product's faceplate, leaving a 2" visible gap between both product faceplates.

Note: For planning purposes only. Refer to Product Installation Guide on the web at electroluxappliances.com for detailed instructions.

Electrolux Major Appliances, N.A.

USA • 250 Bobby Jones Expressway • Augusta, GA 30907 • 1-877-4electrolux (1-877-435-3287) • electroluxappliances.com
 CANADA • 5855 Terry Fox Way • Mississauga, ON L5V 3E4 • 1-800-265-8352 • electroluxappliances.ca

27" Combination Installation – Built-In Microwave/Single Wall Oven



For detailed product dimensions and installation specifications, refer to model-specific product page and installation guide on web

27" Built-In Microwave Cutout

For model:
EW27M055HS

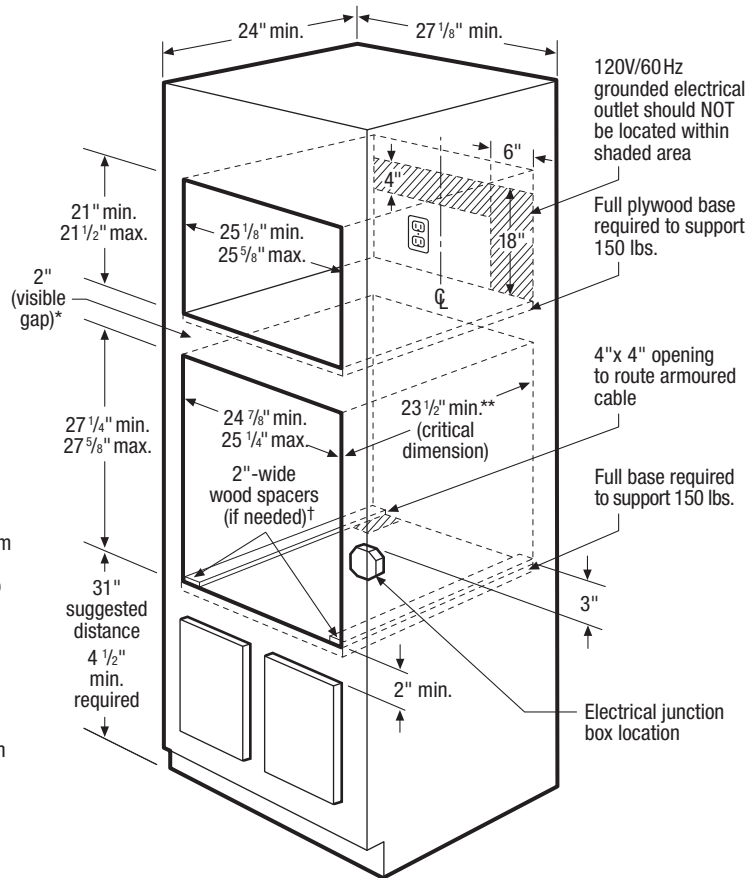
27" Electric Single Wall Oven Cutout

For model:
EW27EW55GS

* Minimum 2 1/8" clearance required from bottom of Built-In Microwave cutout to top edge of Wall Oven's faceplate, leaving a 2" visible gap between both product faceplates.

** Critical dimension – MUST be applied

† For cutout height between 27 5/8" and 28 1/4" add one 2"-wide wood shim of appropriate height to each side of opening under oven side rails. Lifting oven will hide larger cutout opening at top and oven's 1"-high bottom trim will hide shims at bottom. (Optional 3"-high bottom trim available for cutout height between 28 1/4" and 30".)



27" Combination Installation Specifications

- Always consult local and/or national electric codes. (Refer to product-specific electrical specifications on this page.)
- Minimum 23-1/2" deep cutout dimension is critical for proper combination installation, to ensure that each built-in product's faceplate will fit flush against cabinet front.
- Bases must be level and cabinet front must be square.
- Minimum 4-1/2" required distance from bottom of Wall Oven cutout to floor, 31" suggested.
- Respect critical dimensions as noted for proper installation of built-in products.
- Minimum 21" clearance needed for Wall Oven door depth when open.

27" Built-In Microwave Specifications

- Product Weight – 79 Lbs.
- Voltage Rating – 120V/60Hz/15 Amps
- Connected Load (kW Rating) @ 120 Volts = 1.6kW (For use on adequately wired 120V, dedicated circuit having 2-wire service with a separate ground wire. Appliance must be grounded for safe operation.)
- Amps @ 120 Volts = 13.7 Amps
- Full oven base of solid plywood or similar material required, capable of supporting 150 Lbs.
- Minimum 2-1/8" clearance required from bottom of Built-In Microwave cutout to top edge of Wall Oven's faceplate, leaving a 2" visible gap between both product faceplates.

27" Electric Single Wall Oven Specifications

- Product Weight – 150 Lbs.
- Single phase 3- or 4-wire cable, 120/240 or 120/208 Volt, 60 Hertz AC only electrical supply with ground required on separate circuit fused on both sides of line.
- Connected Load (kW Rating) @ 240/208 Volts = 3.4/2.6kW
- Amps @ 240/208 Volts = 14.2/12.6 Amps
- Full oven base of solid plywood or similar material required, capable of supporting 150 Lbs.
- To adapt oven to fit cutout height between 27-5/8" and 28-1/4", add one 2"-wide wood shim of appropriate height to each side of opening under oven side rails. Lifting oven will hide larger cutout opening at top and oven's 1"-high bottom trim will hide shims at bottom. (Standard 1"-High Bottom Trim included.)
- To adapt oven to fit cutout height between 28-1/4" and 30", optional 3"-High Bottom Trim available.

Note: For planning purposes only. Refer to Product Installation Guide on the web at electroluxappliances.com for detailed instructions.

Electrolux Major Appliances, N.A.

USA • 250 Bobby Jones Expressway • Augusta, GA 30907 • 1-877-4electrolux (1-877-435-3287) • electroluxappliances.com
CANADA • 5855 Terry Fox Way • Mississauga, ON L5V 3E4 • 1-800-265-8352 • electroluxappliances.ca

MODD_EW 27INST EL 01/09

© 2009 Electrolux Major Appliances, NA

High standards of quality at Electrolux Home Products, Inc. mean we are constantly working to improve our products. We reserve the right to change specifications or discontinue models without notice.

Printed in the U.S.A.

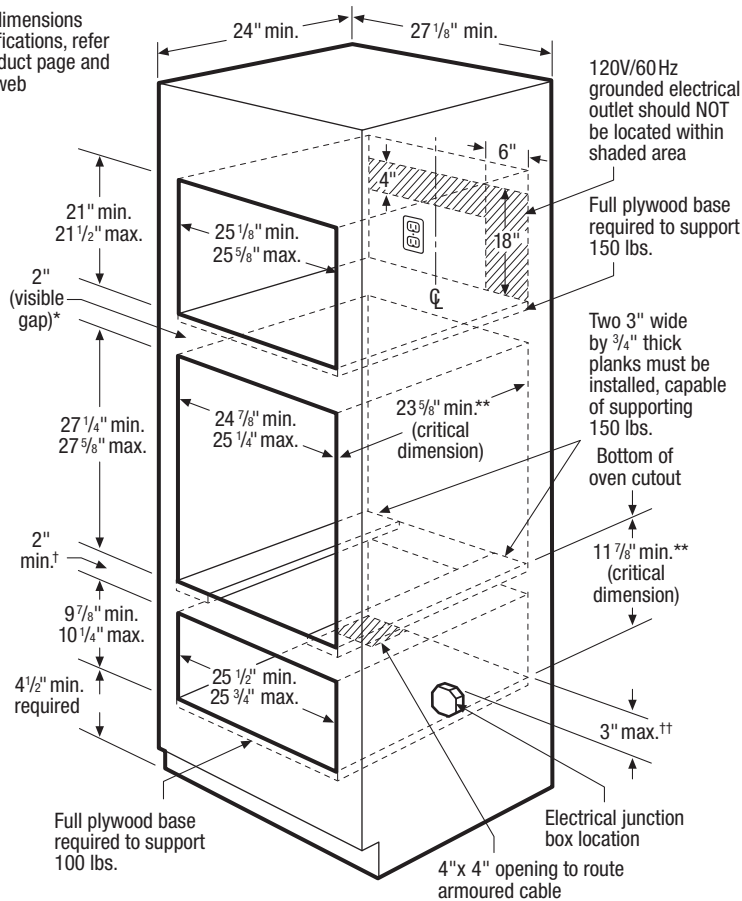
27" Combination Installation – Built-In Microwave/Single Wall Oven/Warmer Drawer



For detailed product dimensions and installation specifications, refer to model-specific product page and installation guide on web

27" Built-In Microwave Cutout

For model:
EW27M055H



120V/60Hz grounded electrical outlet should NOT be located within shaded area

Full plywood base required to support 150 lbs.

Two 3" wide by 3/4" thick planks must be installed, capable of supporting 150 lbs.

Bottom of oven cutout

11 7/8" min.** (critical dimension)

3" max.††

Full plywood base required to support 100 lbs.

4"x 4" opening to route armored cable

* Minimum 2 1/8" clearance required from bottom of Built-In Microwave cutout to top edge of Wall Oven's faceplate, leaving a 2" visible gap between both product faceplates.

** Critical dimension – MUST be applied

† Maximum height depends on critical dimension (11 7/8")

†† Electrical junction box for Wall Oven must be lower than the Warmer Drawer cutout

27" Combination Installation Specifications

- Always consult local and/or national electric codes. (Refer to product-specific electrical specifications on this page.)
- Minimum 23-5/8" deep cutout dimension is critical for proper combination installation, to ensure that each built-in product's faceplate will fit flush against cabinet front.
- Bases must be level and cabinet front must be square.
- Minimum 4-1/2" required distance from bottom of Wall Oven cutout to floor.
- Respect critical dimensions as noted for proper installation of built-in products.
- Minimum 21" clearance needed for Wall Oven door depth when open.

27" Built-In Microwave Specifications

- Product Weight – 79 Lbs.
- Voltage Rating – 120V/60Hz/15 Amps
- Connected Load (kW Rating) @ 120 Volts = 1.6kW (For use on adequately wired 120V, dedicated circuit having 2-wire service with a separate ground wire. Appliance must be grounded for safe operation.)
- Amps @ 120 Volts = 13.7 Amps
- Full oven base of solid plywood or similar material required, capable of supporting 150 Lbs.
- Minimum 2-1/8" clearance required from bottom of Built-In Microwave cutout to top edge of Wall Oven's faceplate, leaving a 2" visible gap between both product faceplates.

27" Electric Single Wall Oven Specifications

- Product Weight – 150 Lbs.
- Single phase 3- or 4-wire cable, 120/240 or 120/208 Volt, 60 Hertz AC only electrical supply with ground required on separate circuit fused on both sides of line.
- Connected Load (kW Rating) @ 240/208 Volts = 3.4/2.6kW
- Amps @ 240/208 Volts = 14.2/12.6 Amps
- To support Wall Oven when using in combination with Warmer Drawer, two 3"-wide x 3/4"-thick planks must be installed as a base, capable of supporting 150 Lbs. Do NOT use full base, since planks are necessary to allow for proper air displacement.

27" Warmer Drawer Specifications

- Product Weight – 55 Lbs.
- Voltage Rating – 120V/450W/60Hz/15 Amps
- Connected Load (kW Rating) @ 120 Volts = 0.45kW (For use on adequately wired 120V, dedicated circuit having 2-wire service with a separate ground wire. Appliance must be grounded for safe operation.)
- Amps @ 120V = 3.75 Amps
- Full base of solid plywood or similar material required, capable of supporting 100 Lbs.

Note: For planning purposes only. Refer to Product Installation Guide on the web at electroluxappliances.com for detailed instructions.

Electrolux Major Appliances, N.A.

USA • 250 Bobby Jones Expressway • Augusta, GA 30907 • 1-877-4electrolux (1-877-435-3287) • electroluxappliances.com
CANADA • 5855 Terry Fox Way • Mississauga, ON L5V 3E4 • 1-800-265-8352 • electroluxappliances.ca