

# Electric Freestanding Ranges

EI30EF55G S, EI30EF55G W, EI30EF55G B



### Flex-2-Fit™ System

Premium smoothtop cooking with dual-ring expandable and single-ring elements fit all pots and pans.



### Sure-2-Fit™ Convection Oven with Hidden Bake Element

Adjustable Luxury-Glide™ oven racks are so smooth and extend effortlessly. Luxury-Design™ Lighting ramp-up designer halogen lighting is as beautiful as it is functional. Exclusive Luxury-Hold™ oven door stays put at whatever angle you place it.



### Versatile Cooking Option

Self-clean oven with versatile cooking option features 7 cooking modes and 6 cooking options.



### Warmer Drawer

Keeps food or plates warm and ready to serve. It's the perfect solution when dinner is delayed, or when multi-course meals are on the menu.

## 30" ELECTRIC FREESTANDING RANGES

|                                  |     |
|----------------------------------|-----|
| Sabbath Mode (Star-K® Certified) | Yes |
|----------------------------------|-----|

### Control Panel Features

|                                    |     |
|------------------------------------|-----|
| IQ-Touch™ Electronic Oven Control  | Yes |
| Slide-2-Set™ Element Controls      | Yes |
| Glass Front Display                | Yes |
| Electronic Clock & Timer           | Yes |
| Temperature Display                | Yes |
| Automatic Oven (Delay, Cook & Off) | Yes |

### Cooktop Features

|   |     |
|---|-----|
| Flex-2-Fit™ Ceramic Glass Smoothtop             | Yes |
| 9" to 12" Dual Expandable Element – 1700W/2700W | 1   |
| 6" to 9" Dual Expandable Element – 1600W/3000W  | 1   |
| 5" to 7" Dual Expandable Element – 750W/1800W   | 1   |
| 6" Electric Element – 1200W                     | 1   |
| Warming Zone – 100W                             | Yes |

### Oven Features

|  |             |
|--|-------------|
| Capacity   | 5.7 Cu. Ft. |
| Hidden Bake Element  | Yes         |
| Eight-Pass Bake Element – 3000 Watts   | Yes         |
| Eight-Pass Broil Element – 4000 Watts  | Yes         |
| Convection Element – 350 Watts   | Yes         |
| Cobalt Blue Interior   | Yes         |
| Self-Clean Options with Door Lock  | 3           |
| Perfect Convection <sup>3</sup> ™ with Variable 2-Speed Fan  | Yes         |
| Cooking Modes –<br>Bake, Broil, Convection Bake, Convection Roast,<br>Convection Broil, Keep Warm, Slow Cook | 7           |
| Cooking Options –<br>Dehydrate, Bread Proof, My Favorites,<br>Rapid Preheat, Delay Bake, Convection Convert  | 6           |
| Luxury-Design™ Lighting with Dual 40W Halogen Bulbs  | Yes         |
| Luxury-Glide™ Racks  | 1           |
| Conventional Racks   | 2           |
| Convection Roasting Rack   | Yes         |

### Additional Features

|  |     |
|--|-----|
| Signature Soft-Arc Oven Door and Handle Design | Yes |
| Luxury-Hold™ Oven Door                         | Yes |
| Extra-Large Glass Window                       | Yes |
| Warmer Drawer                                  | Yes |
| Fully Extendable Drawer Glides                 | Yes |
| Adjustable Leveling Legs                       | Yes |

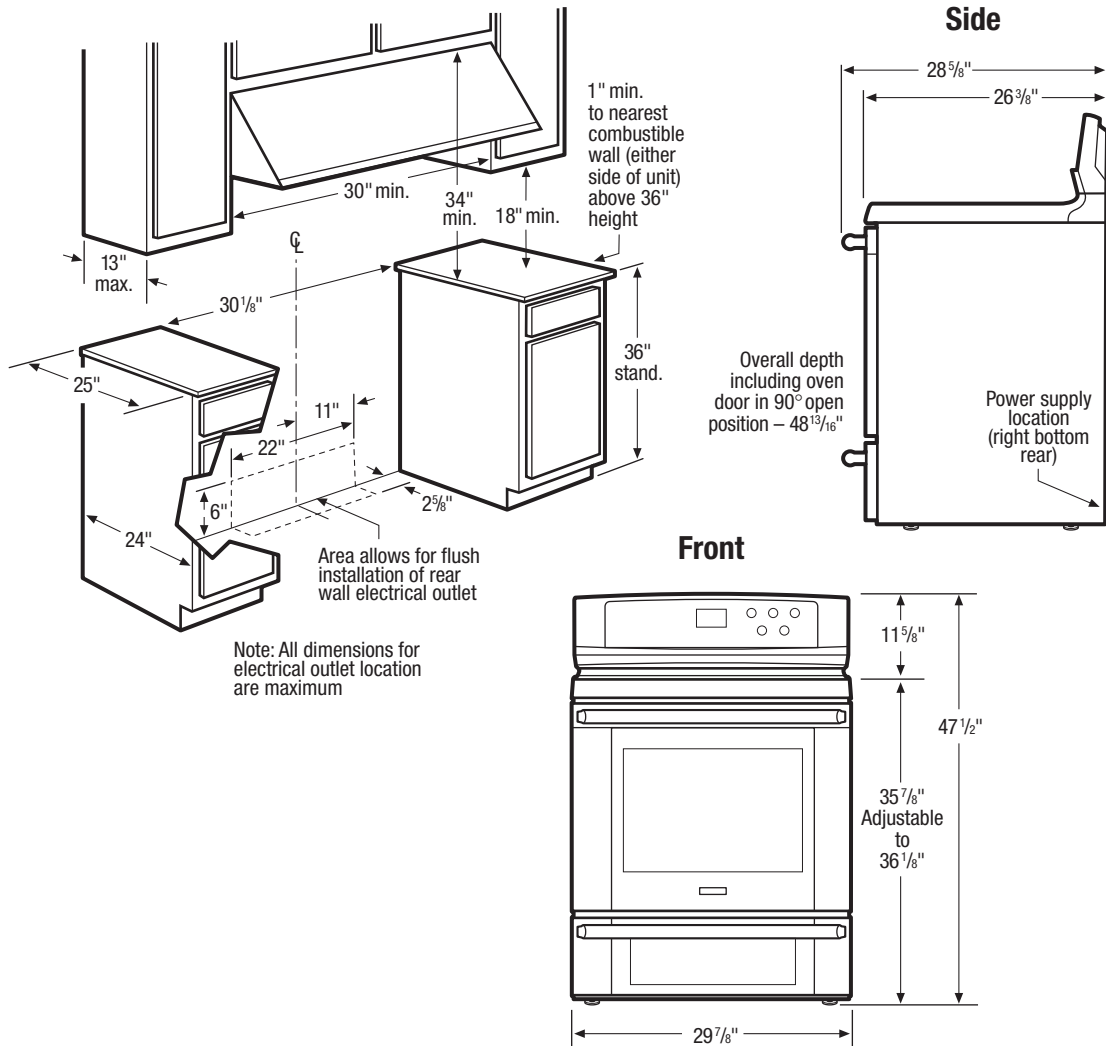
### Accessories

|                                  |          |
|----------------------------------|----------|
| Porcelain Broiler Pan and Insert | Included |
| Grill/Griddle – 318251611        | Optional |

### Specifications

|  |                        |
|--|------------------------|
| Oven Cavity Dimensions –                         |                        |
| Height   | 21-3/8"                |
| Width  | 24-1/4"                |
| Depth  | 19-1/8"                |
| Overall Exterior Dimensions –                    |                        |
| Height   | 47-1/2"                |
| Width  | 29-7/8"                |
| Depth (to Center of Arc)<br>(with 90° Door Open) | 26-27/32"<br>48-13/16" |
| Power Supply Connection Location                 | Right Bottom Rear      |
| Voltage Rating                                   | 240V/60Hz/50A          |
| Connected Load (kW Rating) @ 240/208 Volts       | 15.0/11.5              |
| Minimum Circuit Required (Amps)                  | 50                     |
| Product Weight                                   | 240 Lbs.               |
| Shipping Weight (Approx.)                        | 285 Lbs.               |

NOTE: Always consult local and/or national electric codes. Refer to Product Installation Guide for detailed installation instructions on the web at [www.electroluxappliances.com](http://www.electroluxappliances.com). Specifications subject to change.



### 30" Electric Freestanding Range Specifications

- Product Weight – 240 Lbs.
- Single phase 3- or 4-wire cable, 120/240 or 120/208 Volt, 60 Hertz, fused on both sides of line with ground.
- Connected Load (kW Rating) @ 240/208 Volts = 15.0/11.5 kW
- Amps @ 240/208 Volts = 38.3/32.5 Amps
- Recommended Circuit Breaker – 50 Amps
- Always consult local and/or national electric codes.
- Overhead cabinetry should not exceed a 13" maximum depth.
- Allow 30" minimum clearance between rangetop and bottom of unprotected wood or metal overhead cabinetry.
- Absolute minimum horizontal distance between overhead cabinets installed to either side of appliance must be no less than maximum width of appliance.

- Allow 24" minimum clearance when bottom of wood or metal overhead cabinet is protected by not less than 1/8" flame-retardant millboard covered with not less than No. 28 MGS sheet steel, 0.015" stainless steel, 0.024" aluminum or 0.020" copper.
- Allow 1" minimum clearance from edge of rangetop to nearest combustible wall on either side of unit.
- To reduce risk of fire when using overhead cabinetry, install range hood that projects horizontally a recommended minimum of 5" beyond bottom of cabinets.

**Note: For planning purposes only. Refer to Product Installation Guide on the web at [electroluxappliances.com](http://electroluxappliances.com) for detailed instructions.**

### Optional Accessories

- Grill/Griddle – (318251611).