

# Electric Built-In Ranges

EW30ES65G S, EW30ES65G W, EW30ES65G B

Featuring Wave-Touch™ Electronic Controls



### Flex-2-Fit™ System

Premium smoothtop cooking with triple-ring expandable, double-ring expandable and single-ring elements fits all pots and pans.



### Sure-2-Fit™ Convection Oven with Hidden Bake Element

Adjustable Luxury-Glide™ oven racks are so smooth and extend effortlessly. Luxury-Design™ Lighting ramp-up designer halogen lighting is as beautiful as it is functional. Exclusive Luxury-Hold™ oven door stays put at whatever angle you place it.



### Baking Options

Features 7 cooking modes and 10 cooking options including our exclusive Perfect Turkey™ button for large holiday meals. Perfect Convect3™ Third Element European Convection System features a variable 2-speed fan for more even cooking.



### Perfect Pair™ Oven

Our ranges feature a large main oven and a second oven for the utmost cooking capacity. Use both simultaneously to cook two different items at two different temperatures.

## 30" ELECTRIC BUILT-IN RANGES

Sabbath Mode (Star-K® Certified)	Yes
----------------------------------	-----

### Control Panel Features

Wave-Touch™ Electronic Oven Control	Yes
Perfect Set™ Element Controls	Yes
Keypad Entry of Time & Temperature	Yes
Electronic Clock & Timer	Yes
Temperature Display	Yes
Automatic Oven (Delay, Cook & Off)	Yes

### Cooktop Features

Flex-2-Fit™ Ceramic Glass Smoothtop	Yes
6" to 9" to 12" Triple Expandable Element – 1000W/2000W/2700W	1
6" to 9" Dual Expandable Element – 1600W/3000W	1
5" to 7" Dual Expandable Element – 750W/1800W	1
6" Electric Element – 1200W	2
Hot-Surface Indicator Light	Yes
Surface Controls	Yes

### Oven Features

Capacity	4.2 Cu. Ft.
Hidden Bake Element	Yes
Eight-Pass Bake Element – 2500 Watts	Yes
Eight-Pass Broil Element – 4000 Watts	Yes
Convection Element – 2500 Watts	Yes
Cobalt Blue Interior	Yes
Self-Clean Options with Door Lock	3
Perfect Convect3™ with Variable 2-Speed Fan	Yes
Cooking Modes – Bake, Broil, Convection Bake, Convection Roast, Convection Broil, Keep Warm, Slow Cook	7
Cooking Options – Perfect Turkey™, Defrost, Dehydrate, Bread Proof, My Favorites, Multi-Stage Cooking, Temperature Probe, Rapid Preheat, Delay Bake, Convection Convert	10
Luxury-Design™ Lighting with Dual 40W Halogen Bulbs	Yes
Luxury-Glide™ Racks	2
Conventional Racks	1
Convection Roasting Rack	Yes

### Additional Features

Luxury-Hold™ Oven Door	Yes
Extra-Large Glass Window	Yes
Perfect Pair™ Lower Oven	Yes
Adjustable Leveling Legs	Yes

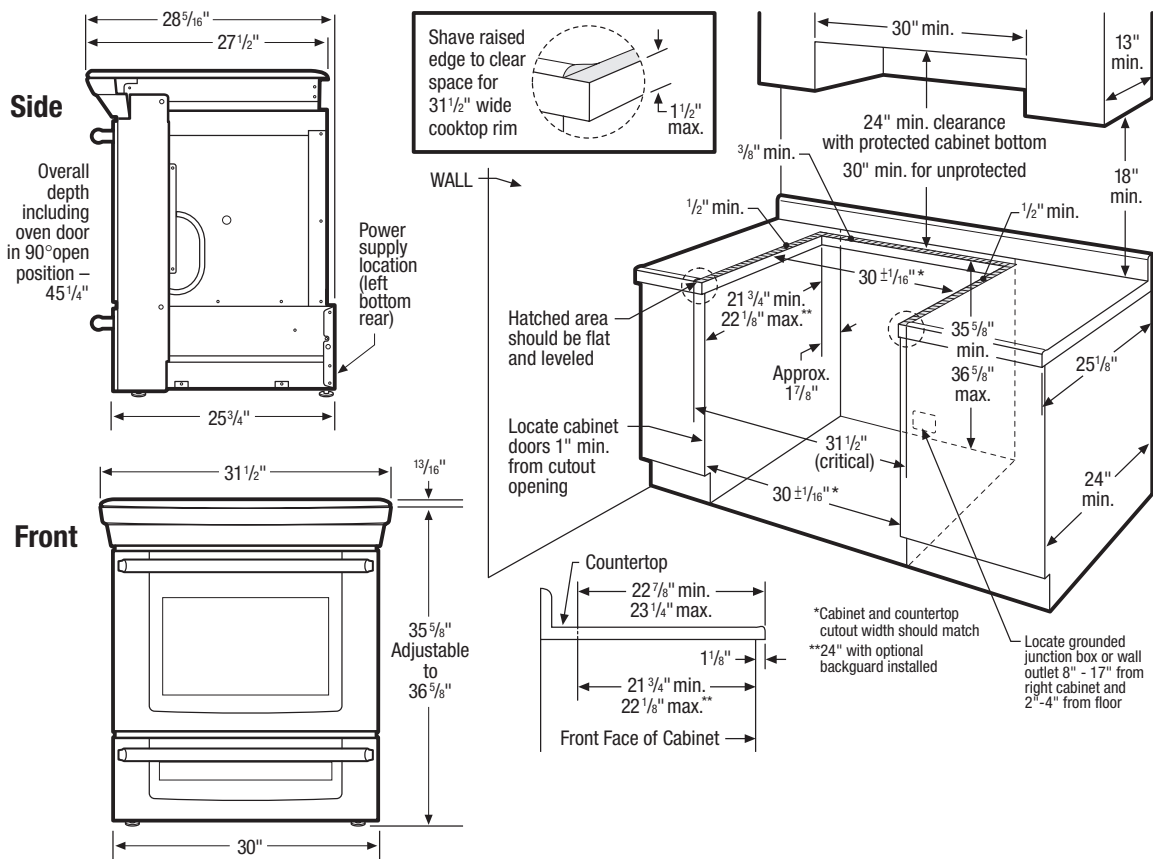
### Accessories

Porcelain Broiler Pan and Insert	Included
Cleaning Sponge	Included
Rear Filler Kit, Side Panel Kit, Backguard Kit, Side Trim Kit – See Back for Part Numbers	Optional

### Specifications

Oven Cavity Dimensions –	
Height	16-1/2"
Width	24-1/8"
Depth	18-1/32"
Overall Exterior Dimensions –	
Height (Adjustable)	36-7/16" – 37-7/16"
Width	31-1/2"
Depth (to Center of Arc) (with 90° Door Open)	28-5/16" / 45-1/4"
Power Supply Connection Location	Left Bottom Rear
Connected Load (kW Rating) @ 240/208 Volts	14.5/10.9
Amps @ 240/208 Volts	60.5/52.4
Minimum Circuit Required (Amps)	50
Product Weight	238 Lbs.
Shipping Weight (Approx.)	258 Lbs.

NOTE: Always consult local and/or national electric codes. Refer to Product Installation Guide for detailed installation instructions on the web at [www.electroluxappliances.com](http://www.electroluxappliances.com). Specifications subject to change.



### 30" Electric Built-In Range Specifications

- Product Weight – 238 Lbs.
- Single phase 3- or 4-wire cable, 120/240 or 120/208 Volt, 60 Hertz, fused on both sides of line with ground. (If local code permits, range may be connected by hard-wiring or by means of power supply cord kit.)
- Connected Load (kW Rating) @ 240/208 Volts = 14.5/10.9 kW
- Amps @ 240/208 Volts = 60.5/52.4 Amps
- Recommended Circuit Breaker – 50 Amps
- Always consult local and/or national electric codes.
- Countertop MUST be level in all directions and adjustable range height at least 1/16" greater than tallest cabinet height, to ensure metal rangetop flange will fit properly on countertop edge.
- When installing optional Backguard Kit, cutout depth of 21-3/4" minimum / 22-1/8" maximum needs increased to 24".
- Overhead cabinetry should not exceed a 13" maximum depth.
- Absolute minimum horizontal distance between overhead cabinets installed to either side of appliance must be no less than maximum width of appliance.
- Allow 24" minimum clearance between rangetop and bottom of cabinet when bottom of wood or metal cabinet is protected by not less than 1/4" flame-retardant millboard covered with not less than No. 28 MGS sheet steel, 0.015" stainless steel, 0.024" aluminum or 0.020" copper. Allow 30" minimum clearance when cabinet is unprotected.
- To reduce risk of fire when using overhead cabinetry, install range hood that projects horizontally a recommended minimum of 5" beyond bottom of cabinets.

### Countertop Preparation

- For detailed preparation instructions, refer to installation guide on the web.
- Flat square-finish (flat) countertop requires no preparation since rangetop flange lays directly on countertop edge.
  - Formed front-edged countertops require front molded edge to be shaved flat 3/4" from each front corner of opening.
  - Tile countertops may need cut back 3/4" from each front corner of opening and/or rounded edge flattened.
  - For existing cutout width greater than 30-1/16" reduce the 3/4" overlap dimension or for cutout width of 29", replace actual side trim panels with smaller side trim panels, available with optional Side Filler Kit (refer to detailed kit installation instructions).

**Note:** For planning purposes only. Refer to Product Installation Guide on the web at [electroluxappliances.com](http://electroluxappliances.com) for detailed instructions.

### Optional Accessories

- Rear Filler Kit: S – (903113-901S), W – (903113-9011), B – (903113-9010).
- Side Panel Kit: S – (903102-901S), W – (903102-9011), B – (903102-9010).
- Backguard Kit: S – (903111-901S), W – (903111-9011), B – (903111-9010).
- Side Trim Kit: S – (903110-901S), W – (903110-9011), B – (903110-9010).