

Double Wall Ovens

EW27EW65G S, EW27EW65G W, EW27EW65G B

Featuring Wave-Touch™ Electronic Controls



Luxury-Glide™ Oven Racks

With a ball bearing system, oven racks are so smooth they extend effortlessly.



Sure-2-Fit™ Capacity

Coordinate an entire meal – our oven features 4.2 cubic feet of cooking space with three adjustable baking racks.



Baking Options

Features 7 cooking modes and 10 cooking options including our exclusive Perfect Turkey™ button for large holiday meals. Perfect Convection³™ Third Element European Convection System features a variable 2-speed fan for more even cooking.



Luxury-Design™ Lighting

Our ramp-up designer halogen lighting is as beautiful as it is functional and our Luxury-Hold™ oven door stays put at whatever angle you place it.

27" ELECTRIC DOUBLE WALL OVENS

Configuration	Double
Sabbath Mode (Star-K® Certified)	Yes

Control Panel Features

Wave-Touch™ Electronic Oven Controls	Yes
Keypad Entry of Time & Temperature	Yes
Electronic Clock & Timer	Yes
Temperature Display	Yes
Toggle Control	Yes
Automatic Oven (Delay, Cook & Off)	Yes
Lockout	Yes
Automatic Oven Shutoff – 12 Hour	Yes
Programmable for °F or °C	Yes
Luxury-Design™ Halogen Oven Light Touch Pad	Yes

Oven Features

Oven Cavity (both ovens)	3.5 Cu. Ft.
Hidden Bake Element	Yes
Electric Bake Element 1450 Watts	Yes
Six-Pass Broil Element 3400 Watts	Yes
Convection Element – 2500 Watts	Yes
Cobalt Blue Interior	Yes
Self-Clean Options with Door Lock	3
Perfect Convection ³ ™ with Variable 2-Speed Fans	Yes
Cooking Modes – Bake, Broil, Convection Bake, Convection Roast, Convection Broil, Keep Warm, Slow Cook	7

Cooking Options – Perfect Turkey™, Defrost, Dehydrate, Bread Proof, My Favorites, Multi-Stage Cooking, Temperature Probe, Rapid Preheat, Delay Bake, Convection Convert	10
--	----

Luxury-Design™ Lighting with Dual 40W Halogen Bulbs	Yes
Luxury-Glide™ Racks	2
Conventional Racks	1
Convection Roasting Rack	Yes

Additional Features

Signature Soft-Arc Oven Door and Handle Design	Yes
Luxury-Hold™ Oven Doors	Yes
Extra-Large Glass Windows	Yes

Accessories

Porcelain Broiler Pan and Insert	Included
3"-high Bottom Trim: S – 903114-9020, W – 903114-9011, B – 903114-9010	Optional

Color / UPC (0-57112-)

Stainless Steel (S)	09710-7
White (W)	09708-4
Black (B)	09709-1

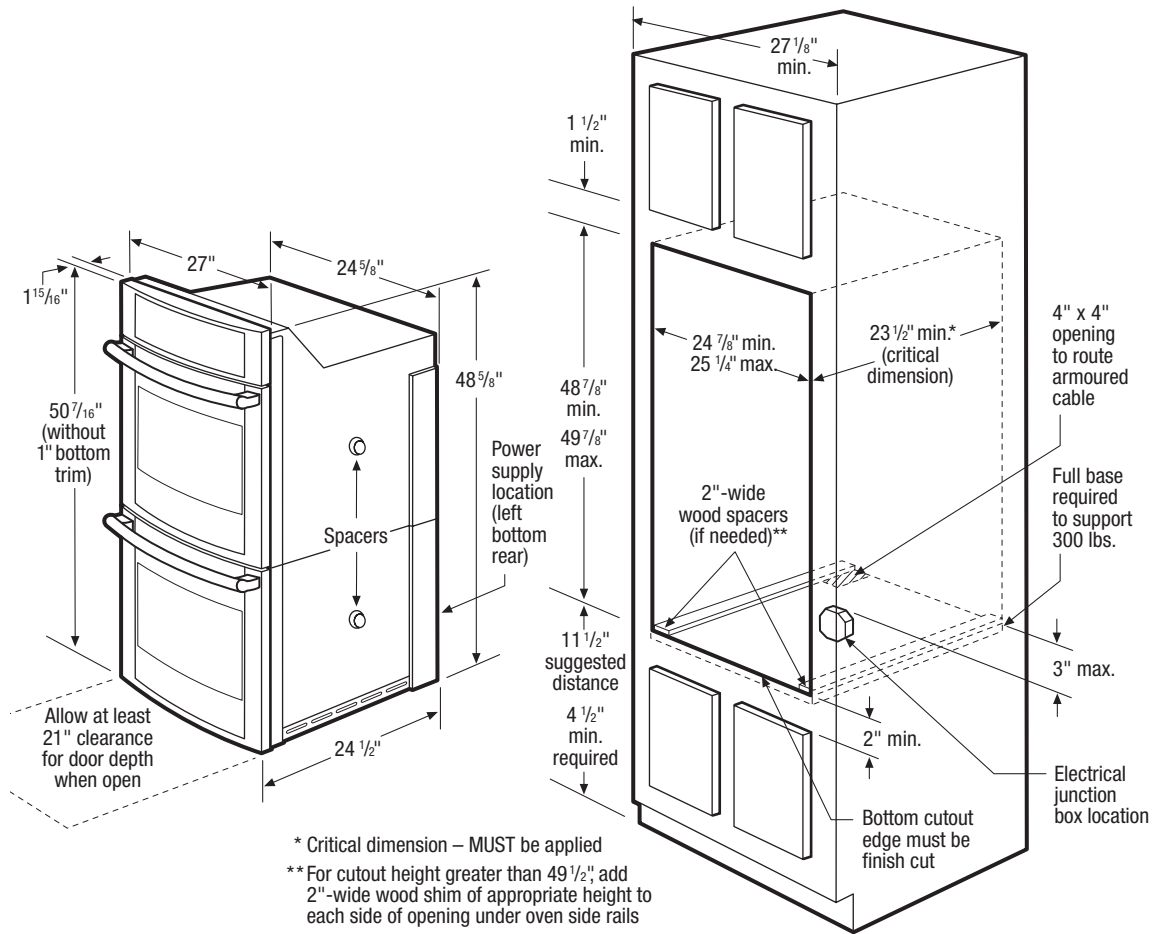
Specifications

Oven Cavity Dimensions –	
Height	16-1/2"
Width	20-1/2"
Depth	18-1/32"

Overall Exterior Dimensions –	
Height (Without 1" Bottom Trim)	50-7/16"
Width	27"
Depth (to Front Door Corner) (with 90° Door Open)	24-1/2" 42-1/4"

Power Supply Connection Location	Left Bottom Rear
Connected Load (kW Rating) @ 240/208 Volts	6.8/5.1
Amps @ 240/208 Volts	28.0/25.0
Minimum Circuit Required (Amps)	30
Armored Electrical Cable	Included
Product Weight	300 Lbs.
Shipping Weight	320 Lbs.

NOTE: Always consult local and/or national electric codes. Refer to Product Installation Guide for detailed installation instructions on the web at www.electroluxappliances.com. Specifications subject to change.



27" Electric Double Wall Oven Specifications

- Product Weight – 300 Lbs.
- Single phase 3- or 4-wire cable, 120/240 or 120/208 Volt, 60 Hertz AC only electrical supply with ground required on separate circuit fused on both sides of line.
- Connected Load (kW Rating) @ 240/208 Volts = 6.8/5.1 kW
- Amps @ 240/208 Volts = 28.0/25.0 Amps
- Recommended Circuit Breaker – 30 Amps
- Always consult local and/or national electric codes.
- Minimum 21" clearance for oven door depth when open.
- Suggested distance from floor is 11-1/2". Minimum required distance is 4-1/2".
- Minimum 23-1/2" deep cutout dimension is critical for proper installation, to ensure that oven's faceplate will fit flush against cabinet front.
- For cutout height greater than 49-1/2", add a 2"-wide wood shim of appropriate height to each side of opening under oven side rails.
- Standard 1"-high Bottom Trim included.

- To adapt Double Wall Oven to fit cutout height greater than 49-7/8", optional 3"-high, Bottom Trim available.
- Full oven base of solid plywood or similar material required, capable of supporting 300 Lbs.
- Base must be level and cabinet front must be square with finish-cut bottom edge.
- Double Wall Ovens are NOT approved to be used in stackable or side-by-side installation.

Note: For planning purposes only. Refer to Product Installation Guide on the web at electroluxappliances.com for detailed instructions.

Optional Accessories

- 3"-high Bottom Trim: S – (903114-9020), W – (903114-9011), B – (903114-9010).