

Installation Guide

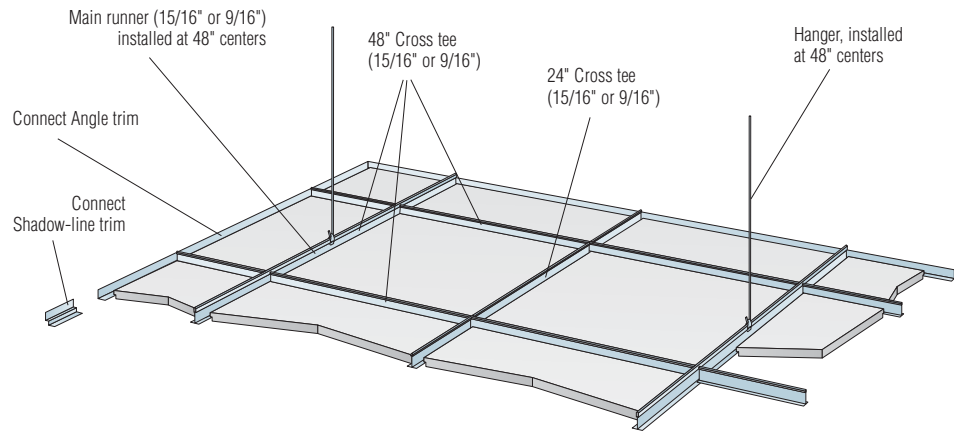
The diagrams contained in the following pages provide detailed pictures of recommended installation procedures for the systems that are part of the CertainTeed Ceilings product offering. Should any portion of this information provoke a question or require additional information, please contact CertainTeed Ceilings - Technical Services.

Tel: 1.800.233.8990

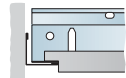
Email: TechServ@CertainTeed.com

Standard Reveal Edge Panels

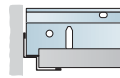
INSTALLATION INSTRUCTIONS



Optional wall junctions for reveal edge panel



Rabbeted edge with angle trim



Straight cut with Shadow-line trim

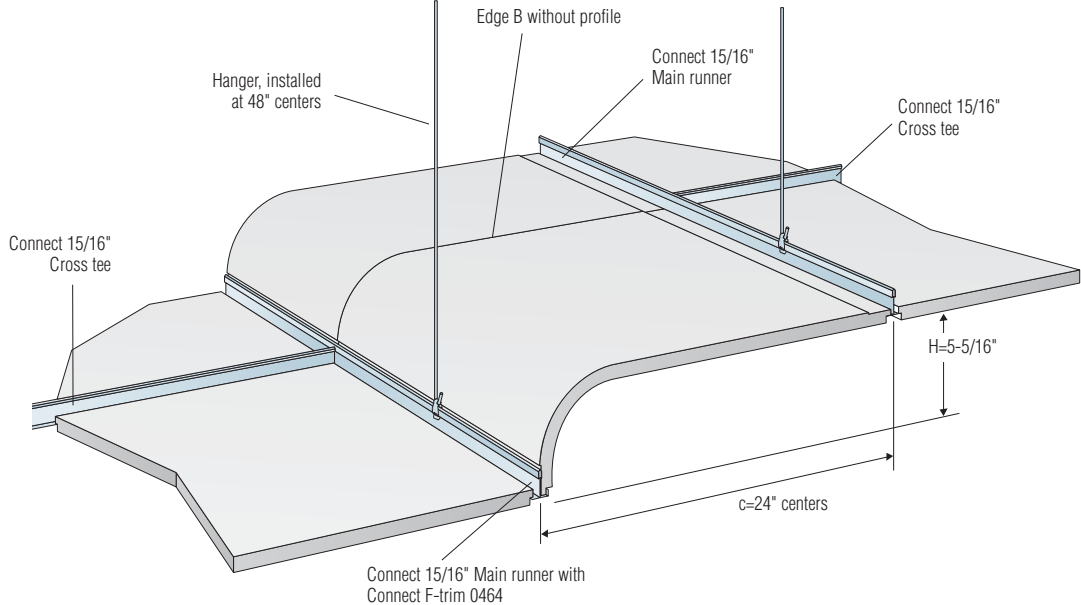
QUANTITY SPECIFICATION (EXCLUDES OVERAGE)

SIZE IN INCHES

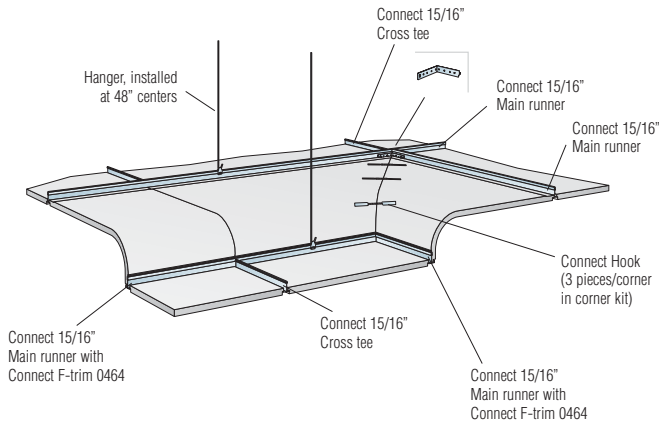
	24" x 24"	24" x 48"
Reveal Edge Panel		
Main runner (15/16" or 9/16") installed at 48" centers	0.26 LF/SF	0.26 LF/SF
48" Cross tee (15/16" or 9/16")	0.5 LF/SF	0.5 LF/SF
24" Cross tee (15/16" or 9/16")	0.26 LF/SF	-

Ecophon® Focus™ 3-D L-Line Horizontal Installation

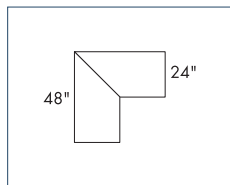
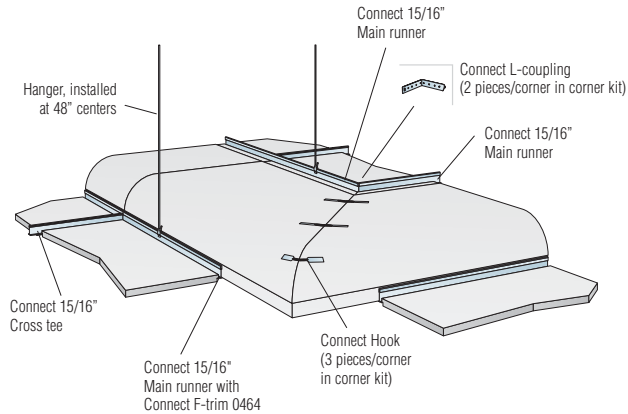
INSTALLATION INSTRUCTIONS



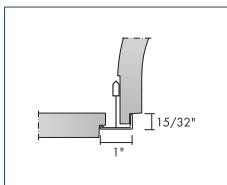
Focus L-line Horizontal Installation External Corner



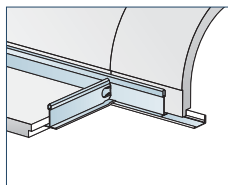
Focus L-line Horizontal Installation Internal Corner



Module measures of corner



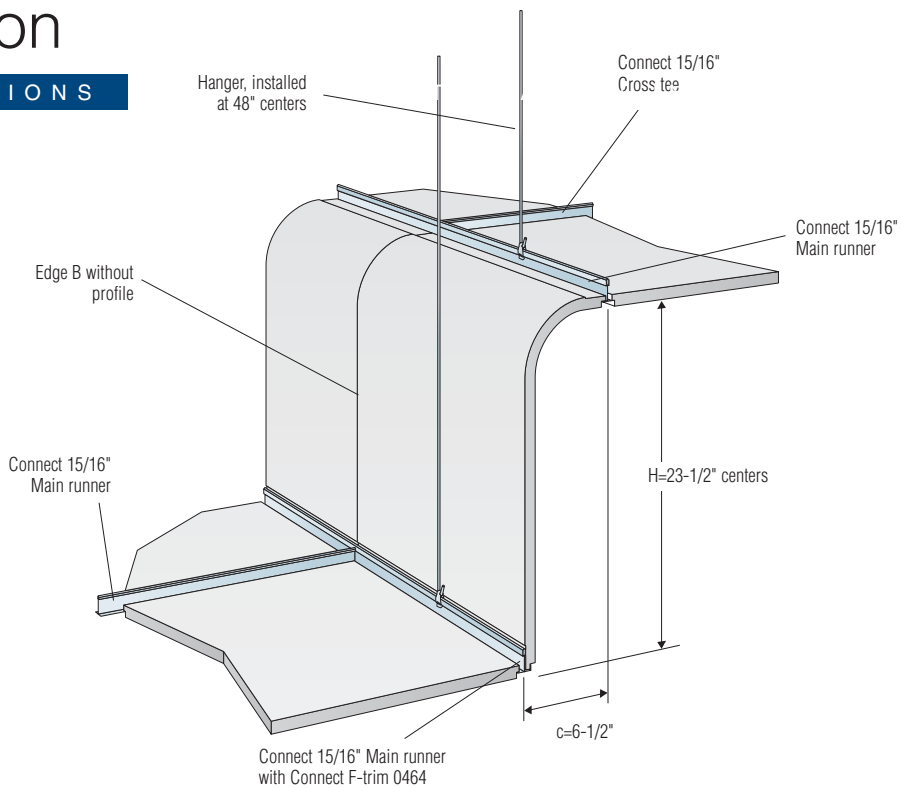
Detail of lower part with F-trim



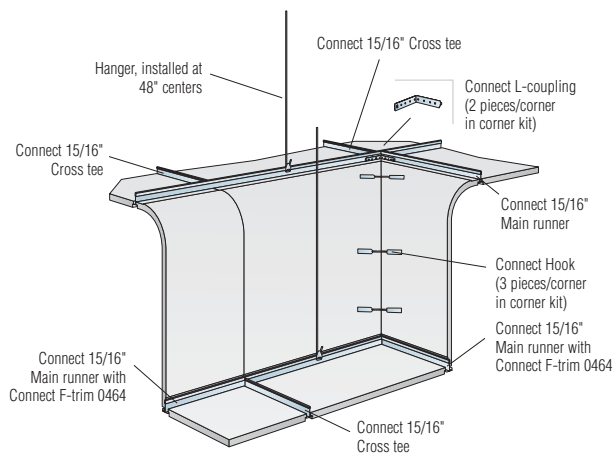
Lower part with F-trim

Ecophon® Focus™ 3-D L-Line Vertical Installation

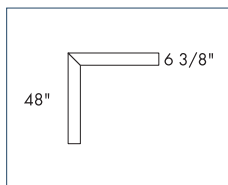
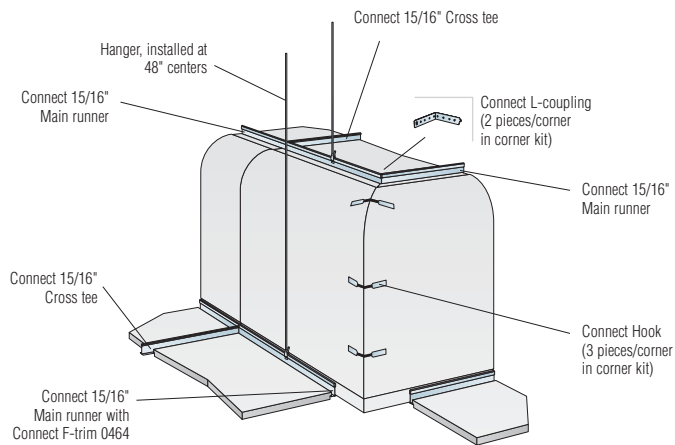
INSTALLATION INSTRUCTIONS



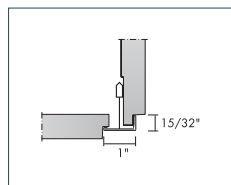
Focus™ L-line Vertical Installation External Corner



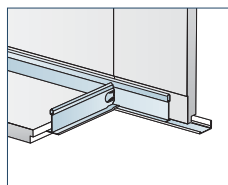
Focus™ L-line Vertical Installation Internal Corner



Module measures of corner



Detail of lower part with F-trim



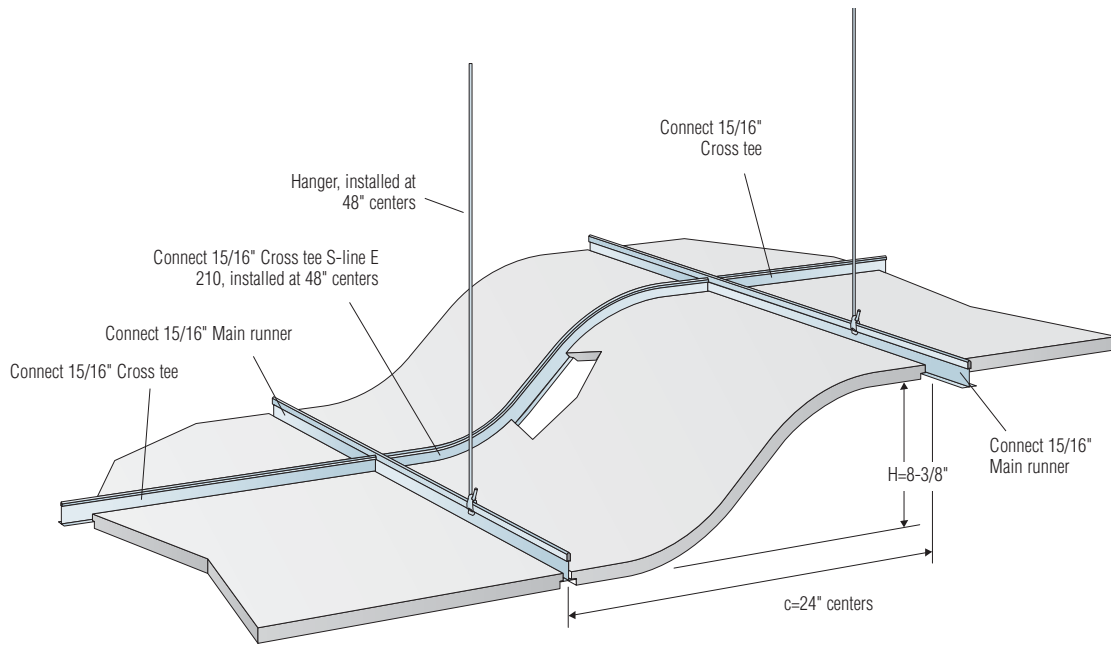
Lower part with F-trim



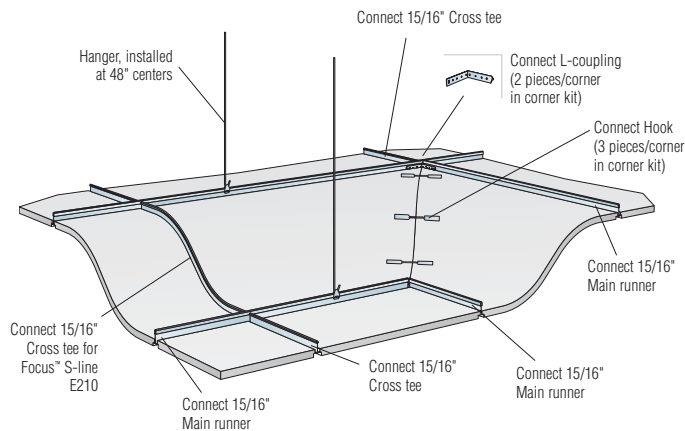
Focus L-line panel

Ecophon[®] Focus[™] 3-D S-Line E 210

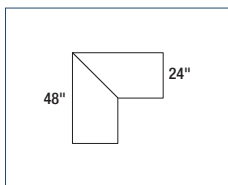
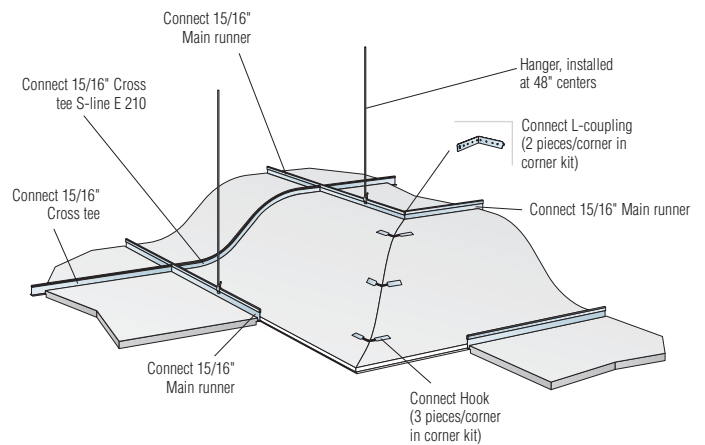
INSTALLATION INSTRUCTIONS



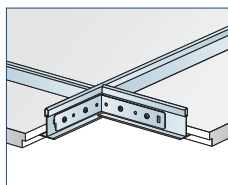
Focus[™] S-line E 210 Installation External Corner



Focus[™] S-line E 210 Installation Internal Corner



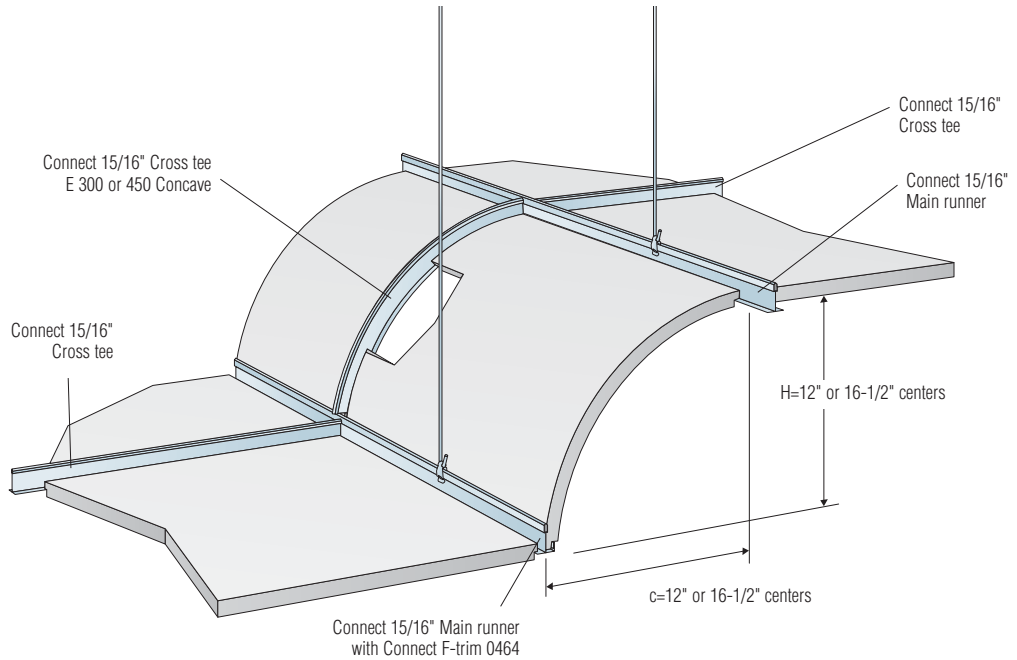
Module measures of corner



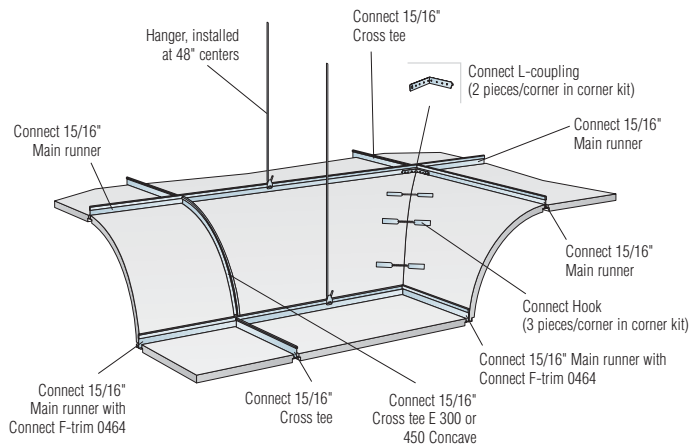
Fitting of profiles with coupling

Ecophon® Focus™ 3-D Quadro E 300 and 450 Concave

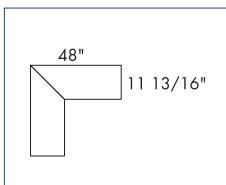
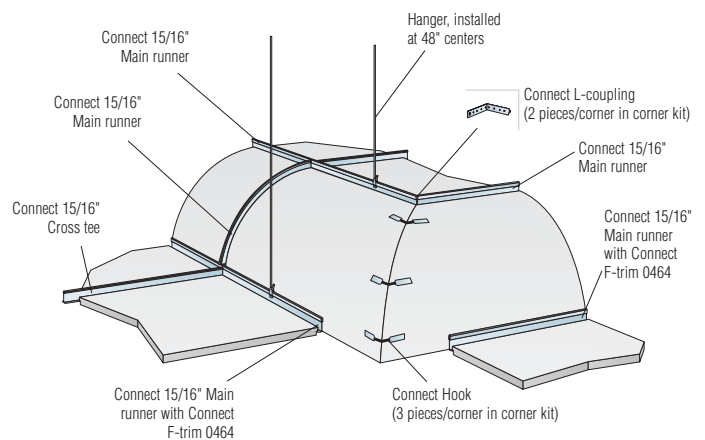
INSTALLATION INSTRUCTIONS



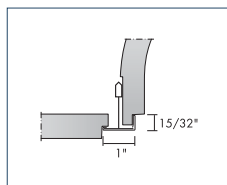
Focus™ Quadro E 300 and 450 Concave Installation External Corner



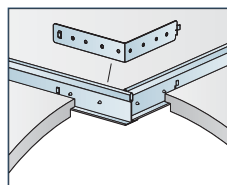
Focus™ Quadro E 300 and 450 Concave Installation Internal Corner



Module measures of corner



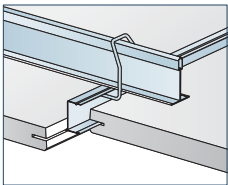
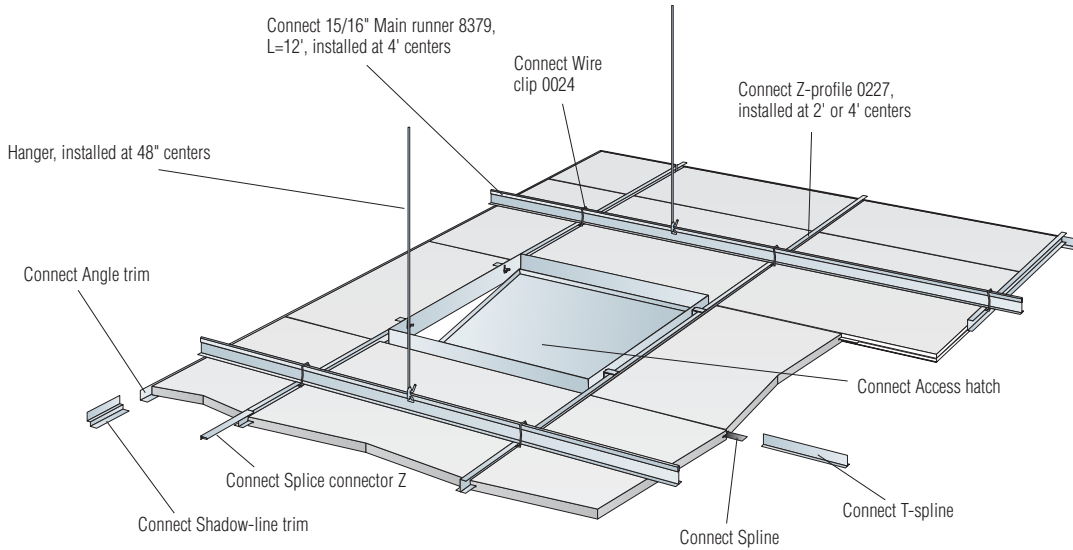
Detail of lower part with F-trim



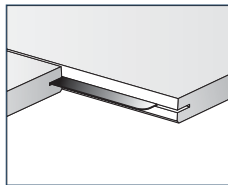
Internal corner, upper connection between profiles

Ecophon® Focus™ C Suspended Application

INSTALLATION INSTRUCTIONS



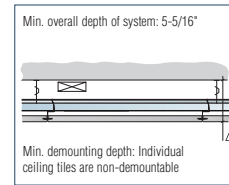
Connection between profiles with wire clip



Splines are used to level tiles

Max live load. Min. load bearing capacity for suspension components.		
Size (inches)	Max live load (lbs.)	Min load bearing capacity (lbs.)
24" x 24"	11	35
48" x 48"	11	35

Live load/Load bearing capacity



Vertical measurements

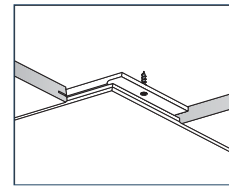
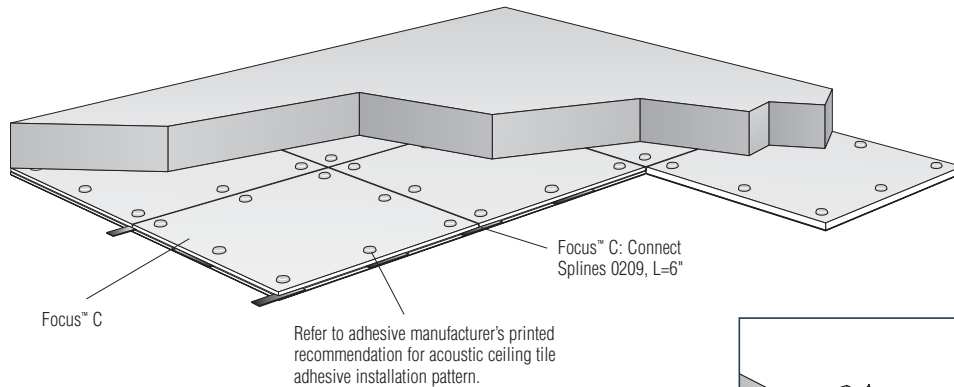
QUANTITY SPECIFICATION (EXCLUDES OVERAGE)

SIZE IN INCHES

	24" x 24"
Connect 15/16" Main runner 8379, L=12', installed at 4' centers	0.27 /ft ²
Connect Wire clip 0024	0.125/ft ²
Connect Z-profile 0227, installed at 2' or 4' centers	0.5 /ft ²
Connect Splice connector Z	0.04/ft ²
Connect Spline	0.25/ft ²
Connect T-spline	0.25/ft ²
Hanger, installed at 48" centers	0.065/ft ²
Connect Angle trim	as required
Connect Shadow-line trim	as required

Ecophon® Focus™ C Adhesive Application

INSTALLATION INSTRUCTIONS

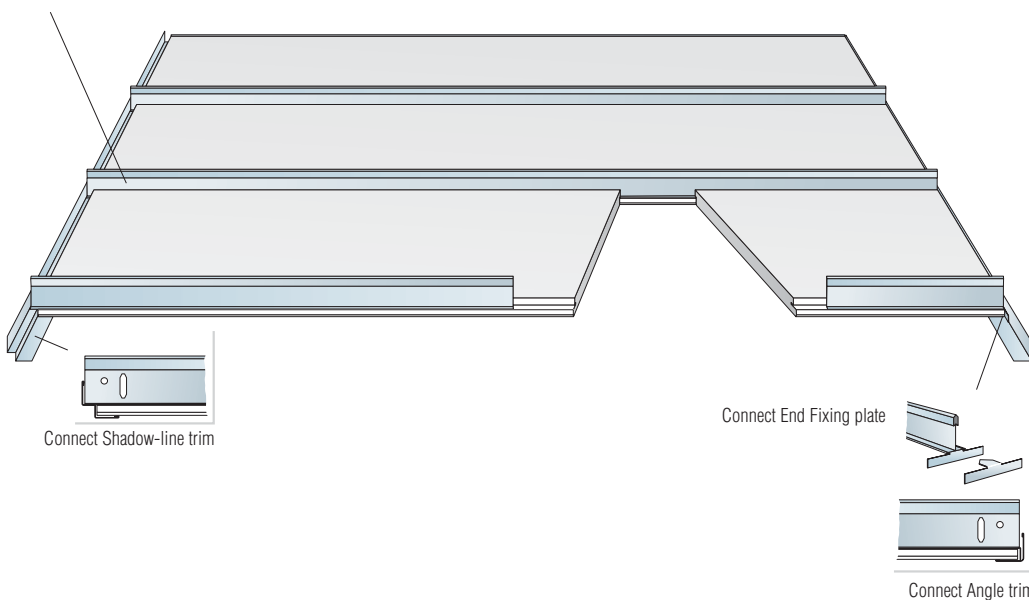


Installation in plasterboard
or wood furring

Ecophon® Focus™ D In Corridors

INSTALLATION INSTRUCTIONS

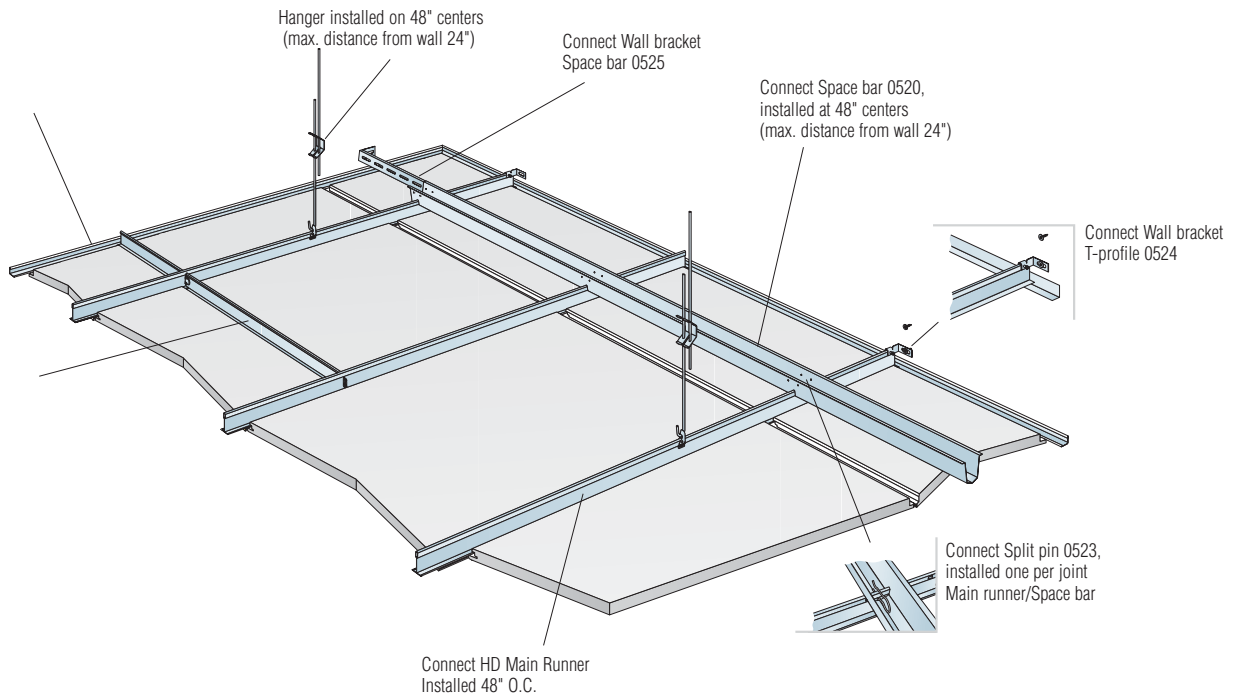
Connect 15/16" Corridor profile,
installed at 24" centers



Ecophon® Focus™ D

2x2, 2x4, 2x5, 2x6, 2x8

INSTALLATION INSTRUCTIONS



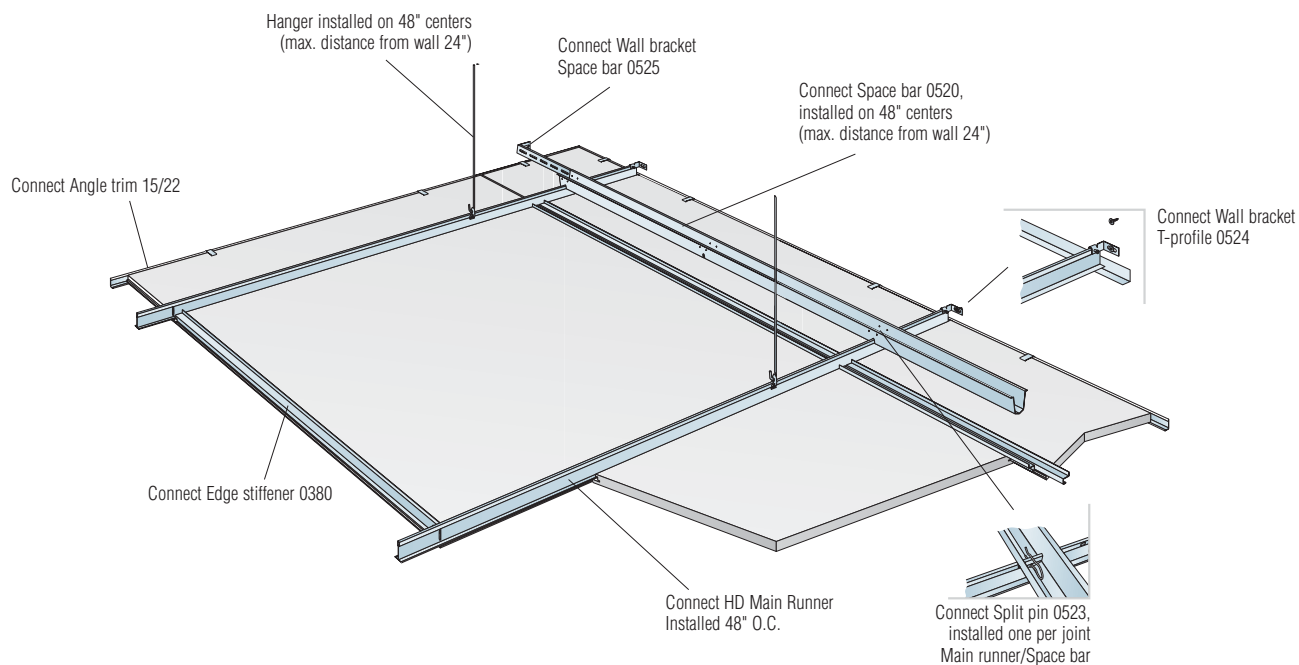
QUANTITY SPECIFICATION (EXCLUDES OVERAGES)

Ecophon® Focus™ D	
Connect HD Main Runner (installed 24" O.C.) - in Lineal Feet	0.5 x S.F. of Focus D
Connect T-profile Wall Bracket	2 for every row of Main Runners
Connect Space Bars (installed 48" O.C. - max. distance from wall = 24") - in Lineal Feet	0.3 x S.F. of Focus D
Connect Space Bar Wall Bracket	2 for every row of Space Bars
Connect Split Pin - (installed through punched slot at every intersection of Space Bar & Main Runner)	5 Split Pins per Space Bar
Wall Molding - (angle, step or channel)	as required

Ecophon® Focus™ D

4" x 4"

INSTALLATION INSTRUCTIONS

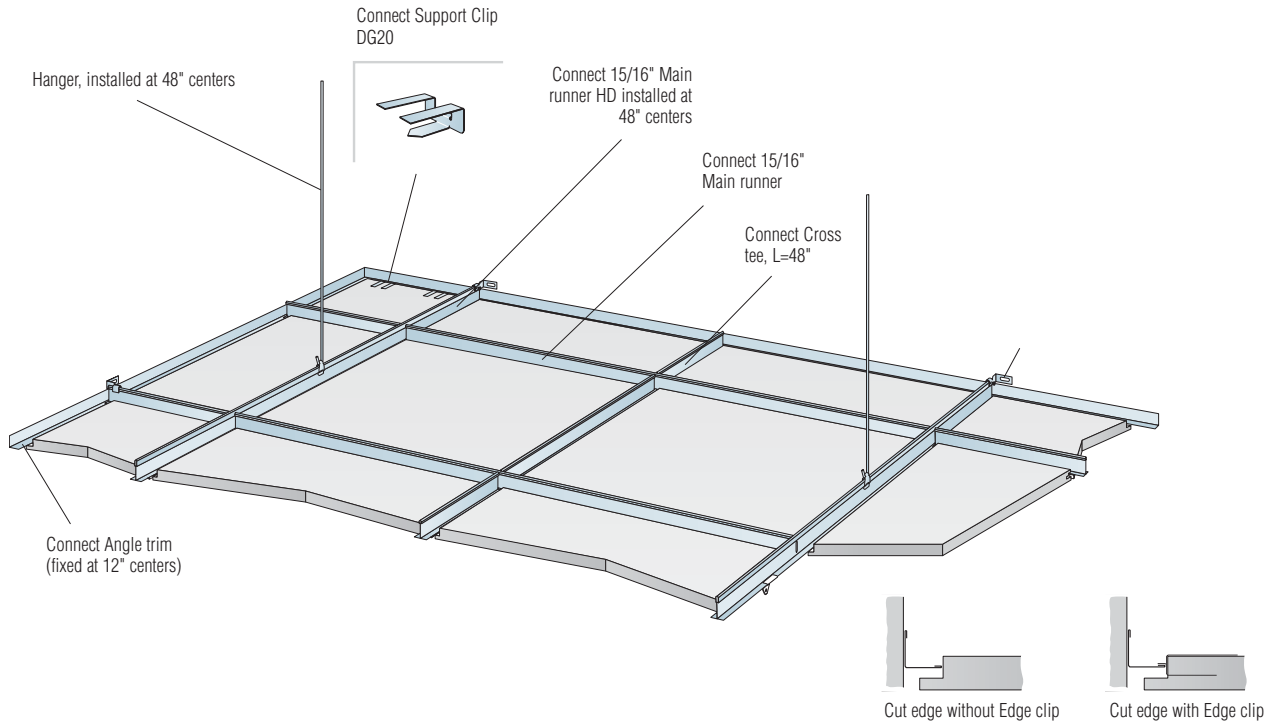
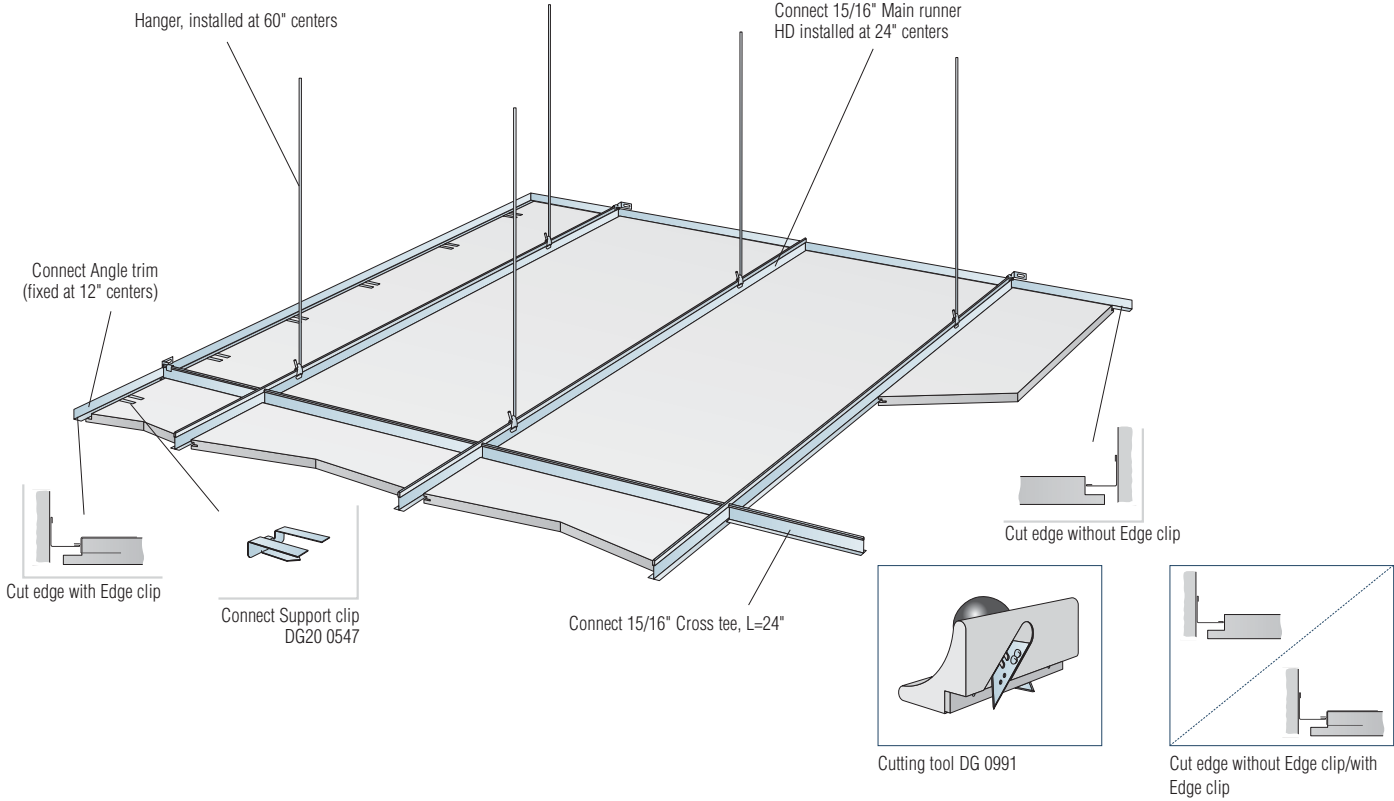


QUANTITY SPECIFICATION (EXCLUDES OVERAGES)

Ecophon® Focus™ D	
Connect HD Main Runner (installed 48" O.C.) - in Lineal Feet	0.25 x S.F. of Focus D
Connect T-profile Wall Bracket	2 for every row of Main Runners
Connect Space Bars (installed 48" O.C. - max. distance from wall = 24") - in Lineal Feet	0.3 x S.F. of Focus D
Connect Space Bar Wall Bracket	2 for every row of Space Bars
Connect Edge Stiffener	2 pieces per panel
Connect Split Pin - (installed through punched slot at every intersection of Space Bar & Main Runner)	3 Split Pins per Space Bar
Wall Molding - (angle, step or channel)	as required

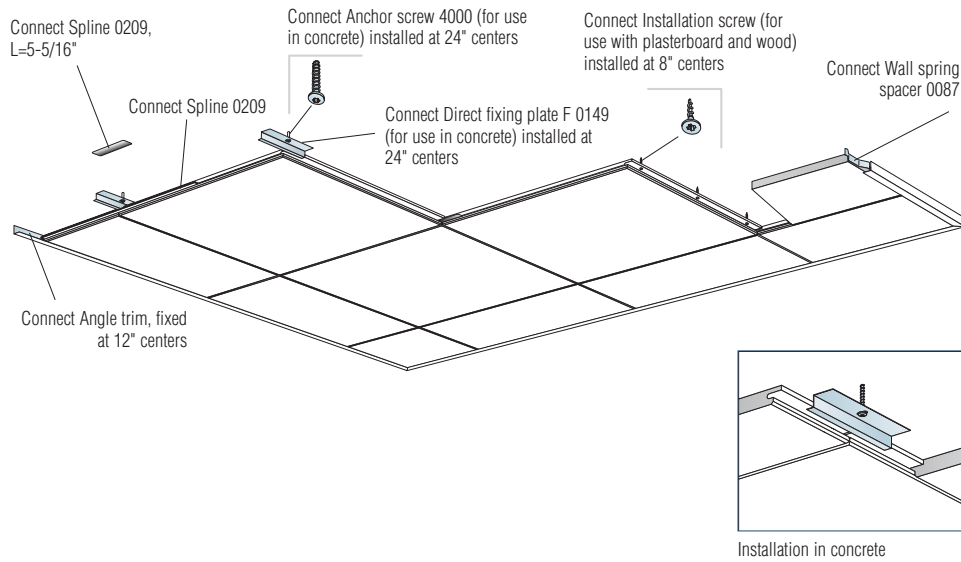
Ecophon® Focus™ DG XL

INSTALLATION INSTRUCTIONS



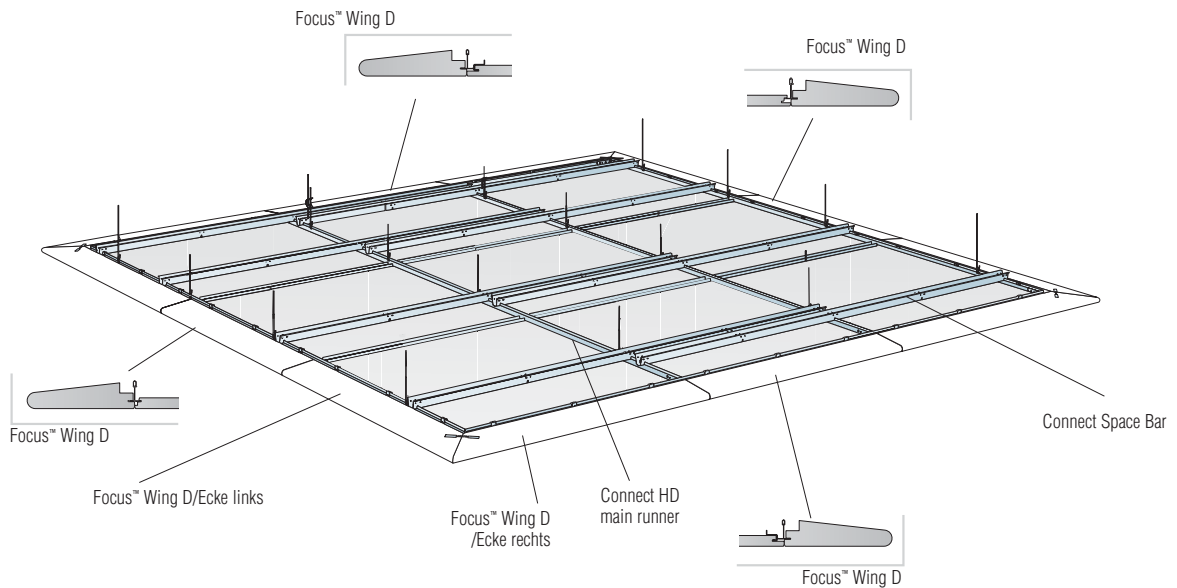
Ecophon® Focus™ F

INSTALLATION INSTRUCTIONS



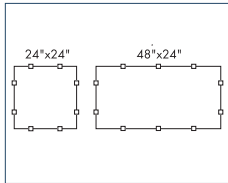
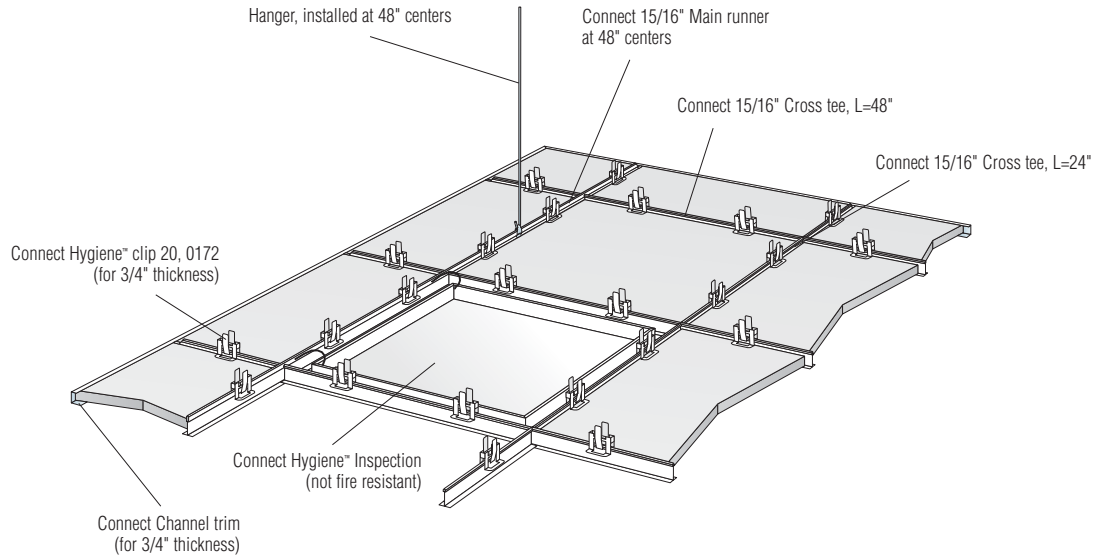
Ecophon® Focus™ Wing

INSTALLATION INSTRUCTIONS

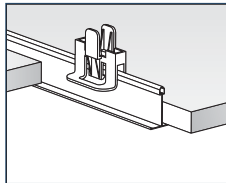


Ecophon® Hygiene™ Performance A, Protec A, Advance A

INSTALLATION INSTRUCTIONS



Arrangement of clips

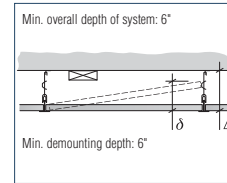


Clips for keeping tiles in position

Max live load. Min. load bearing capacity for suspension components.

Size (inches)	Max live load (lbs.)	Min load bearing capacity (lbs.)
24" x 24"	9	35
24" x 48"	9	35

Live load/Load bearing capacity



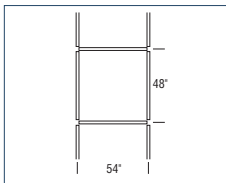
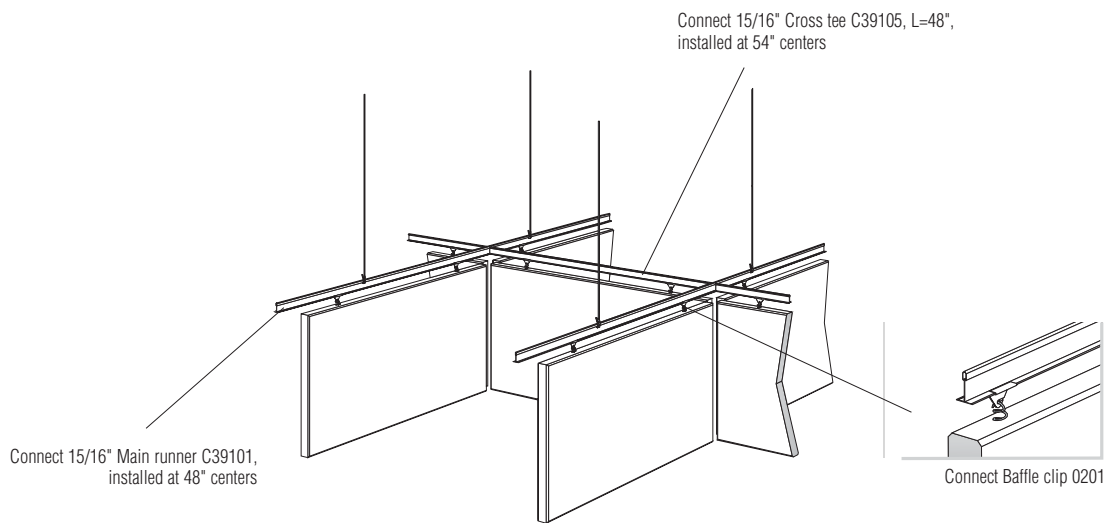
Vertical measurements

QUANTITY SPECIFICATION (EXCLUDES OVERAGE)

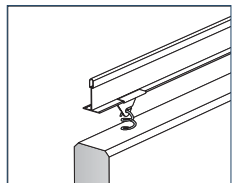
	SIZE IN INCHES	
	24" x 24"	24" x 48"
Ecophon Hygiene™ Performance A, Protec A, Advance A	0,27 lft/ft²	0,27 lft/ft²
Connect 15/16" Cross tee, L=48"	0,5 lft/ft²	0,5 lft/ft²
Connect 15/16" Cross tee, L=24"	0,27 lft/ft²	-
Connect Hygiene™ Inspection (not fire resistant)	as required	as required
Connect Hygiene™ clip 20, 0172 (for 3/4" thickness)	1/ft²	0,65/ft²
Connect Channel trim C3 3532 (for 3/4" thickness)	as required	as required
Hygiene Advance perimeter panel	as required	as required
Connect Hygiene Sealant 0041	as required	as required

Ecophon® Hygiene™ Protec/Advance Baffle in Checkered Pattern

INSTALLATION INSTRUCTIONS



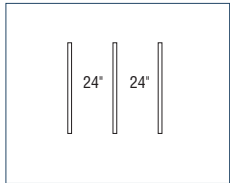
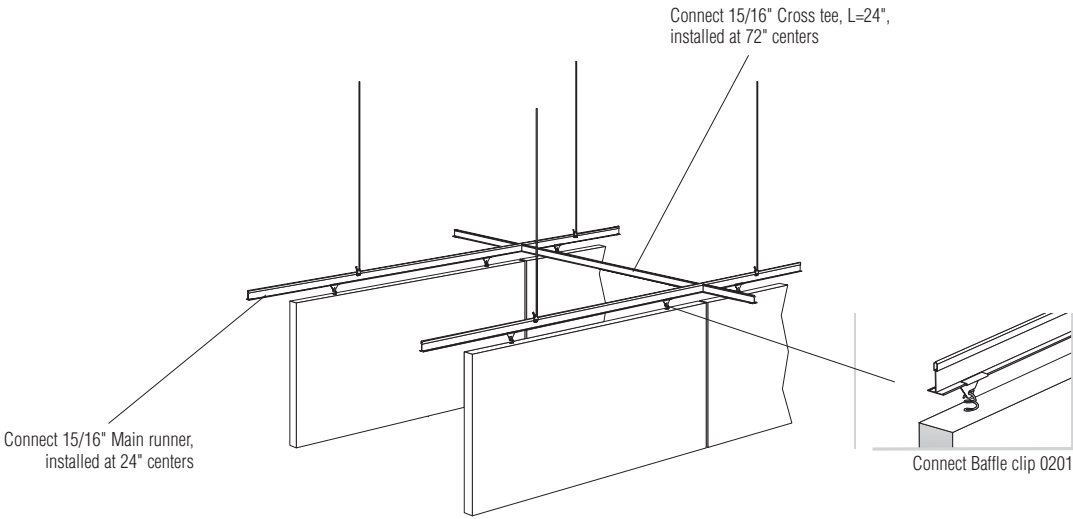
Installation in checkered pattern



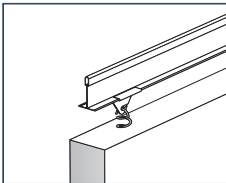
Detail of suspension

Ecophon® Hygiene™ Protec/Advance Baffle In Rows

INSTALLATION INSTRUCTIONS



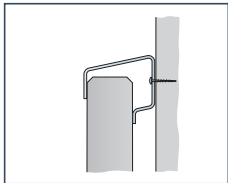
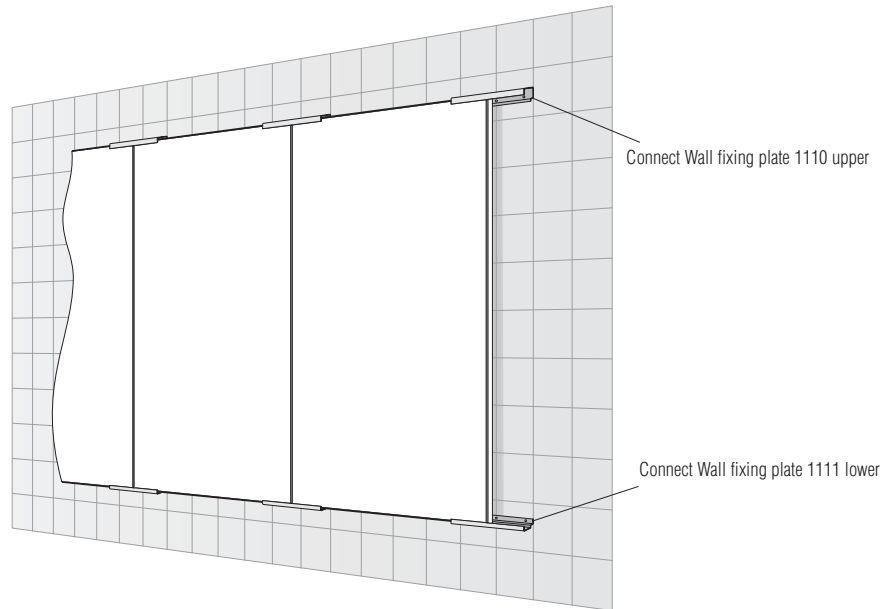
Installation in rows



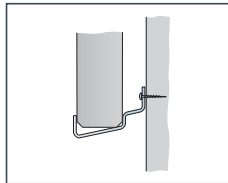
Detail of suspension

Ecophon® Hygiene™ Protec Wall Baffle

INSTALLATION INSTRUCTIONS



Detail of upper fixing



Detail of lower fixing

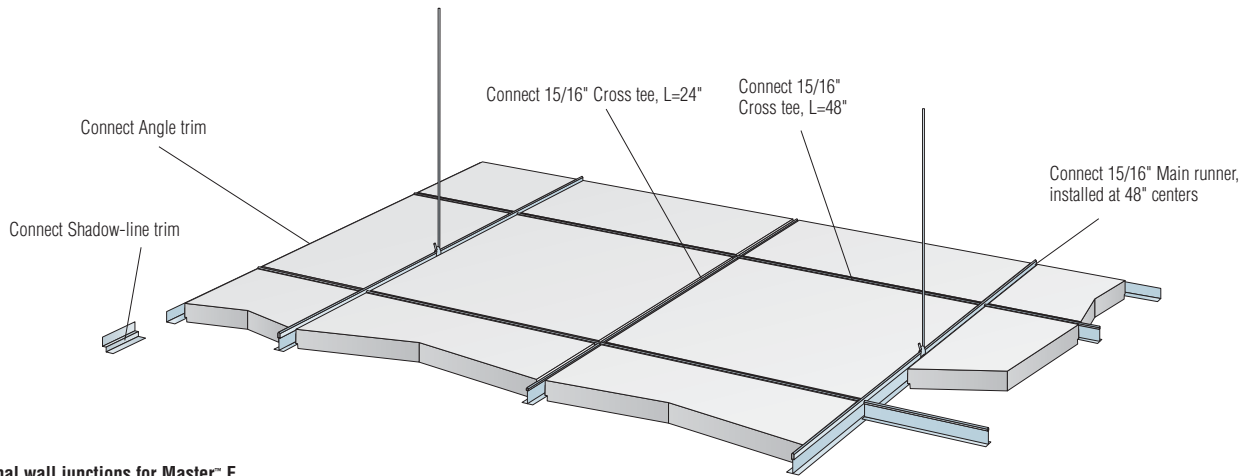
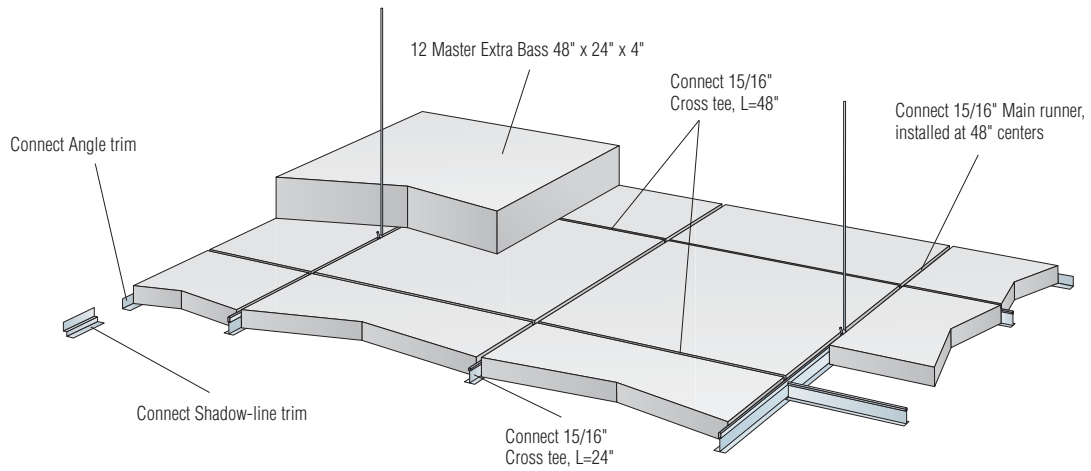
QUANTITY SPECIFICATION (EXCLUDES OVERAGE)

SIZE IN MM

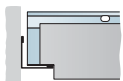
	1800 x 1200
Connect Wall fixing plate 1111 lower	1 pc/Baffle
Connect Wall fixing plate 1110 upper	1 pc/Baffle

Ecophon[®] Master™ A, E

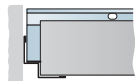
INSTALLATION INSTRUCTIONS



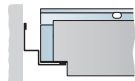
Optional wall junctions for Master™ E



Rabbeted with
Angle trim



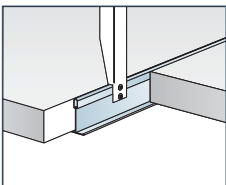
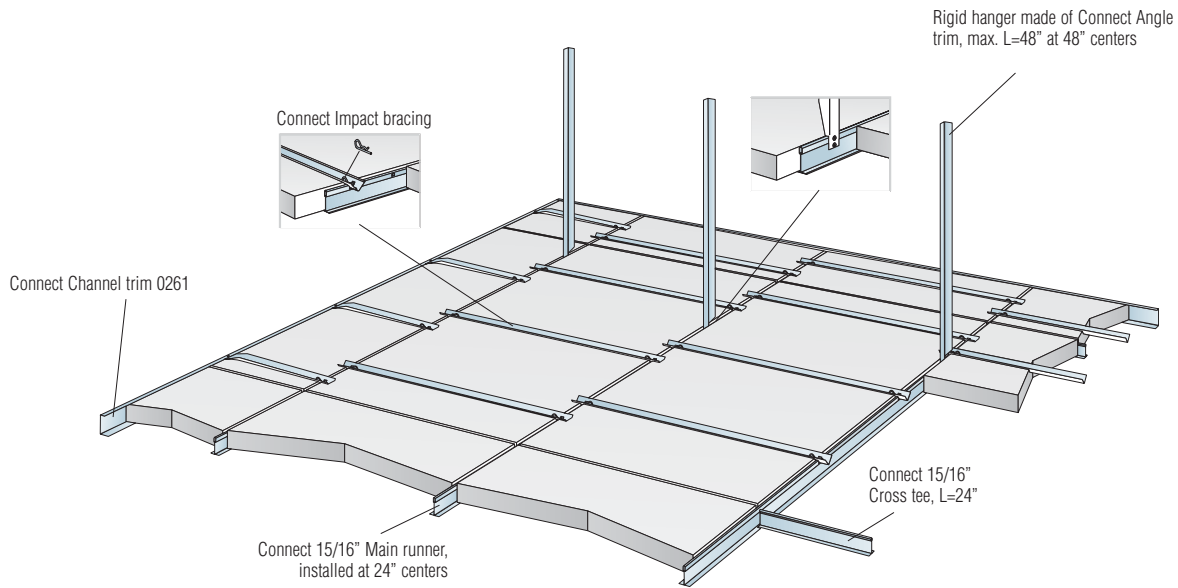
Straight cut with
Shadow-line trim



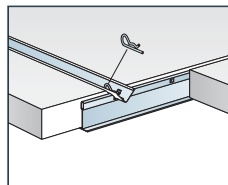
Rabbeted with
Shadow-line trim

Ecophon® Super G™ With Impact Bracing

INSTALLATION INSTRUCTIONS



Detail of suspension

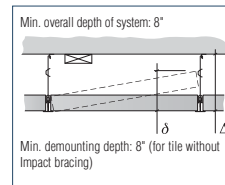


Connection between profiles with split pin

Max live load. Min. load bearing capacity for suspension components.

Size (inches)	Max live load (lbs.)	Min load bearing capacity (lbs.)
24" x 24"	9	35
24" x 48"	9	35

Live load/Load bearing capacity



Vertical measurements

QUANTITY SPECIFICATION (EXCLUDES OVERAGE)

	SIZE IN INCHES	
	24" x 24"	24" x 48"
Ecophon Super G™ A		
Connect 15/16" Main runner, installed at 24" centers	0,5 lft/ft ²	0,5 lft/ft ²
Connect 15/16" Cross tee, L=24"	0,5 lft/ft ²	0,25 lft/ft ²
Rigid hanger made of Connect Angle trim, max. L=48" at 48" centers	0,13/ft ²	0,13/ft ²
Connect Impact bracing	(2/panel)	(3/panel)