



QUALITY  
STONE  
VENEER INC.  
EST. 1976

CUSTOM SELECTIONS  
RESIDENTIAL

## CONTENTS

Exteriors	Pg 5
Interiors	Pg 19
Stone Styles	Pg 31
Stone Colors	Pg 35
Stone Accessories	Pg 41

**On The Cover:** Conestoga & PA Lime  
/ Cobblestone & Drystack  
with eggshell accents





Powder Ridge & Branford / Cobblestone



Bradford / Drystack

## QUALITY STONE VENEER

For over 34 years Quality Stone Veneer, Inc. has served homeowners, builders, suppliers, and architects with a unique blend of exceptional manufactured stone and masterful installation. Our molds replicate the shapes and textures of natural stone. We have a wide variety of stone colors and styles, each of which is completely interchangeable. Quality Stone Veneer's installation crews are well-trained, experienced, and knowledgeable in all stonework applications. Our products are designed for all types of building construction, residential and commercial, interior and exterior, regardless of the scope or size of the project. Whether you're building a dream home, remodeling an existing home, re-facing a church, constructing a university, or adding stone to a fireplace, we bring your ideas to life, from concept to completion.

Call **1.800.795.3229**

- Product and Installation
- Product Only
- To Find a Showroom Near You

**Create a Quality  
look inside and out!**



Authenticity - Natural Looking

Single-Source Accountability

Skilled Craftsmanship

50 Year Manufacturers Warranty

May Submit For  
Project Certification



Quality Product

Personal Customer Service

Product Intended to Produce Environmental  
and Economic Benefits



# EXTERIORS



Bull Run, New England & Conestoga / Fieldstone, Cobblestone & Regal Ashlar  
with steel accents

Atglen & Garis Canyon  
Gray / Cobblestone  
with brick accents



Bradford / Drystack



Lebanon Lime / Drystack & Fieldstone



**PA Lime / Regal Ashlar**  
with brick & steel accents



**Conestoga & Kernsville**  
/ **Fieldstone**  
with brick accents



**Provence & Ferndale / Cobblestone**  
with steel accents





**Mainline / Cobblestone**  
with eggshell siota precast accents

Refton Lime / Cobblestone  
with brick accents



PA State & Ferndale / Cobblestone  
with brick accents



Ferndale & Manor / Ohio Cobblestone  
dry-laid with brick accents

PA State & Kernsville  
/ Drystack  
with steel accents



Branford / Cobblestone

Lebanon Lime  
/ Cobblestone & Drystack



Carmel & Ridgewood / Sandstone



Lime Valley & Branford  
/ Fieldstone & Drystack  
with brick accents



Susquehanna & Ocala / Ohio Cobblestone

PA State / Ohio Cobblestone



Canyon Gray & Garis Canyon Gray / Fieldstone  
with brick accents



Bull Run & PA Lime / Cobblestone, Fieldstone & Drystack  
with steel accents





Lehigh & Kernsville / Drystack



Ferndale & Garis Canyon Gray  
/ Fieldstone





Ferndale / Chester  
with brick accents

# INTERIORS



Sharnecky, PA State, Kernsville & Susquehanna / Drystack & Fieldstone

Canyon Gray / Fieldstone



Bull Run & PA Lime  
/ Cobblestone, Fieldstone & Drystack



Ferndale & Garis Canyon Gray / Fieldstone

Refton Lime / Fieldstone



Lime Valley / Drystack



Tuscarora  
/ Drystack



Tuscarora / Cobblestone & Fieldstone



Branford / Drystack & Fieldstone



Bradford / Drystack  
with a steel hearthstone



Bradford / River Rock



Powder Ridge & Branford / Fieldstone

Sharnecky, Ferndale & Kernsville  
/ Ohio Cobblestone



Bull Run, New England & Conestoga  
/ Fieldstone, Cobblestone & Regal Ashlar



Reading Blend / Cobblestone



Kernsville, PA Lime & Lehigh / Fieldstone  
with brick accents



PA Lime & Conestoga  
/ Drystack & Fieldstone



Gold Nugget / Fieldstone



Canyon Gray / Fieldstone

# STONE STYLES



Fieldstone



Drystack



Ohio Cobblestone



Sandstone

# INTERCHANGEABLE:



Ashlar



Brookstone



Chester



Cobblestone



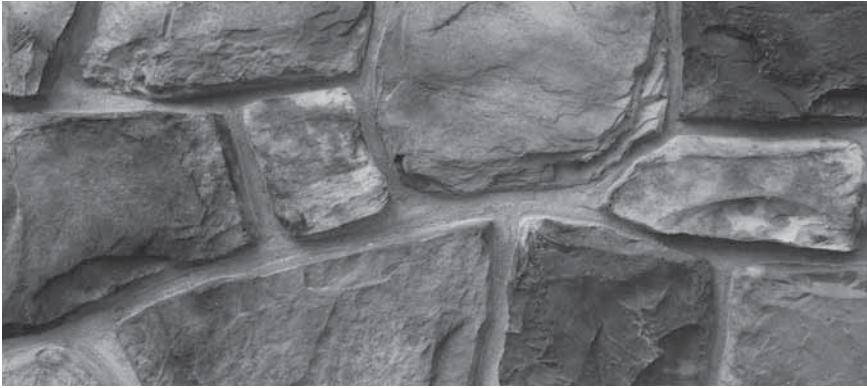
Cobblestone Sandstone



Drystack



# ALL COLORS & STYLES



Fieldstone



Ohio Cobblestone



Ohio Drystack



Regal Ashlar



River Rock



Sandstone

*"John and I and the neighborhood would like to compliment the crew on a job well done. They gave 200%. Their work habits, and respect/courteous manners shown to all while working on this job should be commended." -Debbie and John Barrett*



Fieldstone & Drystack



Fieldstone & Drystack



Cobblestone & Drystack



Fieldstone & Cobblestone

# STONE COLORS



PA Lime



Provence



Pigeon Hill



Gold Nugget

# INTERCHANGEABLE!



Addison



Atglen



Bradford



Branford



Bull Run



Baxter



Canyon Gray



Carmel



Conestoga

# ALL COLORS & STYLES



Country



Denver Rose



Dominion



Ferndale



Fireside



Garis Canyon Gray



Gold Nugget



Iron Red



Ironstone

*"Thank you again for your support in the Extreme Home Makeover Campaign." - abc27, Anthony Maydwell*

# INTERCHANGEABLE:



Kernsville



Lansdowne



Lebanon Lime



Lehigh



Lime Valley



Luray



Mainline



Manor



Mountain

# ALL COLORS & STYLES



New England



Ocala



PA State



PA Lime



Pigeon Hill



Powder Ridge



Provence



Reading Blend



Refton Lime

*"Your sales people are extremely helpful. I am a handyman with limited experience. They all went overboard to help me with my questions." - Mike S.*

# INTERCHANGEABLE: ALL COLORS & STYLES



Reverse Conestoga



Ridgewood



Sharnecky



Silverthorne



Stone Creek



Stone Ridge



Susquehanna



Tuscarora



Valley Forge



Virginia



Walnut Ridge

*"I greatly appreciate the quality of work performed. I also want to give recognition to the fact that they were able to listen to my vision and turn it into reality."*

*- Race Roth*



# STONE ACCESSORIES



Handcrafted Brick



Siota Peaked Pier Caps



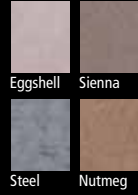
Standard Brick



Siota English Water Table  
& Colonial Bull Nose Sill

### Hewn Keystone

Available in these 4 standard colors or most standard stone colors:



– Measurements are approximate



### Siota Keystone

Available in these 4 standard colors:

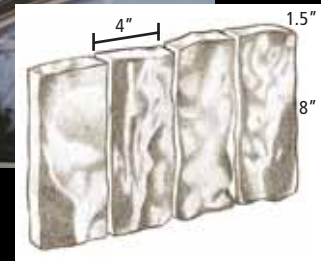
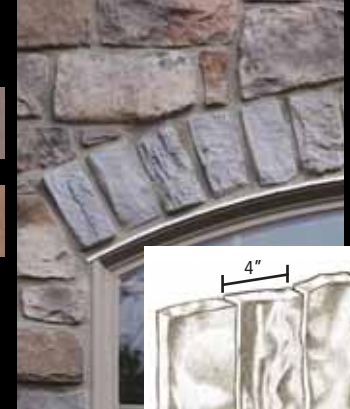


– Measurements are approximate



### Hewn Soldiers

Available in these 4 standard colors or most standard stone colors:



– Measurements are approximate

### Hewn Date & Address Stone

Available in these 4 standard colors or most standard stone colors:



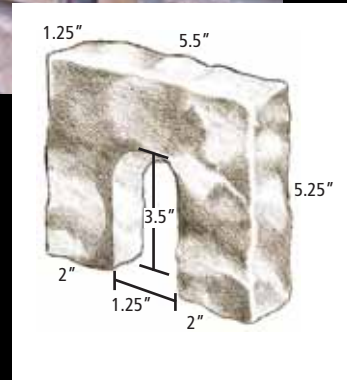
### Siota Date & Address Stone

Available in these 4 standard colors:



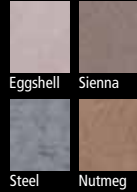
### Hewn Faucet Block

Available in these 4 standard colors:



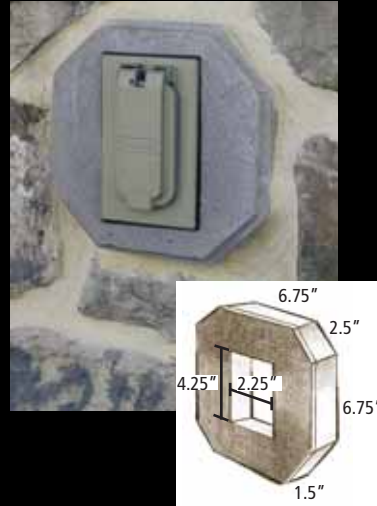
### Siota Light Blocks

Available in these 4 standard colors:



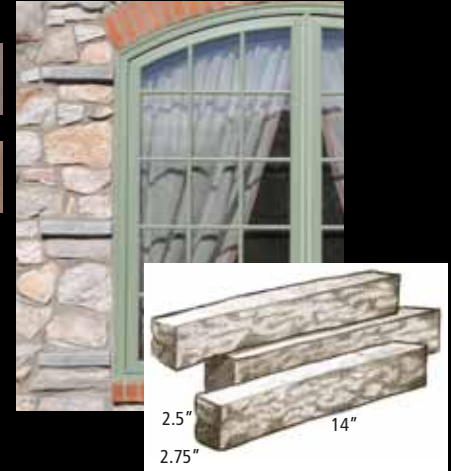
### Siota Receptacle Block

Available in these 4 standard colors:



### Shutter Blocks

Available in these 4 standard colors:



### Hewn Edge Hearthstones

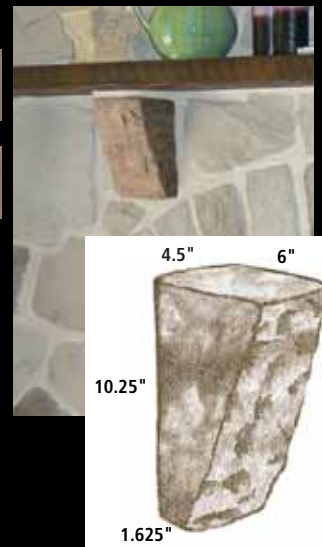
Available in these 4 standard colors:



SIZES:  
 - 20" x 24" x 1.25"  
 - 24" x 24" x 1.5"

### Mantel Brackets

Available in these 4 standard colors:



- Wall tie attached

### Hewn Standard Sill

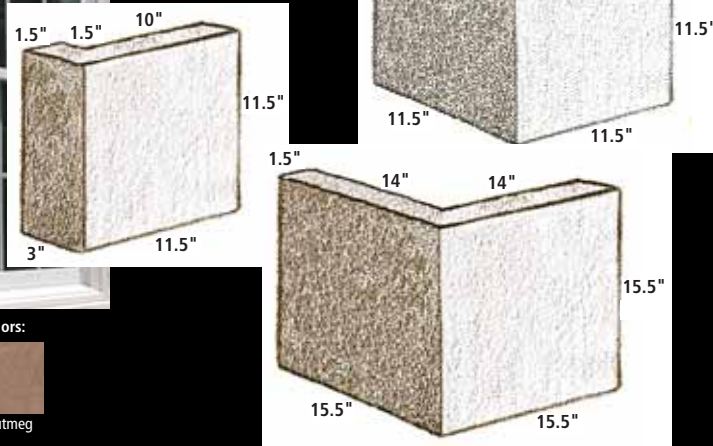
Available in these 4 standard colors:



### Siota Quoin Corners



SIZES:  
 - 1.5" x 3" x 11.5" x 11.5"  
 - 1.5" x 11.5" x 11.5" x 11.5"  
 - 1.5" x 15.5" x 15.5" x 15.5"



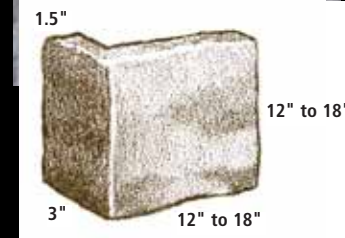
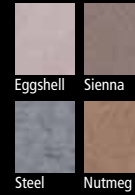
Available in these 4 standard colors:



### Hewn Quoin Corners

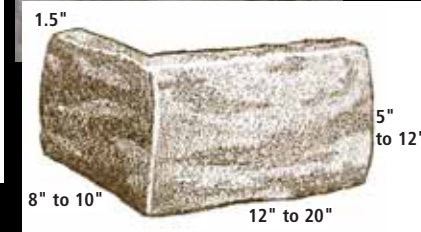


Available in these 4 standard colors or most standard stone colors:



SIZES:  
 - 12" to 18" x 3" x 1.5" (random sizes)

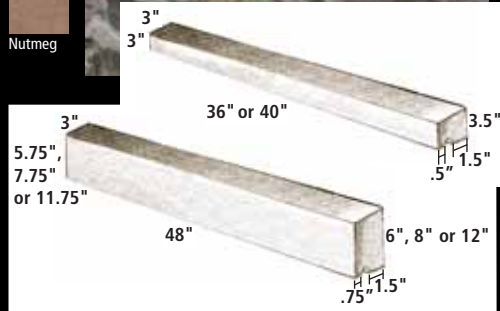
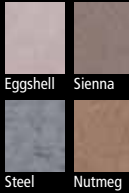
### Hewn Quoin Corners With Long Returns



Comes in random sizes.

### Siota Square Sill

Available in these 4 standard colors:



SIZES:  
 - 36" x 3" x 3.5"  
 - 40" x 3" x 3.5"  
 - 48" x 5.75" x 6"  
 - 48" x 7.75" x 8"  
 - 48" x 11.75" x 12"

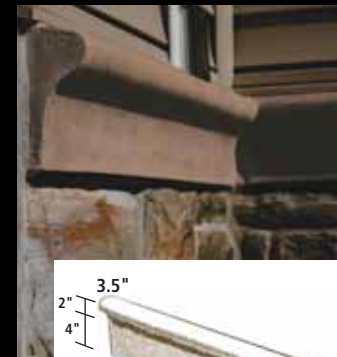
### Siota Bull Nose Sill With Apron

Available in these 4 standard colors:

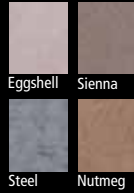


### Siota Bull Nose Water Table

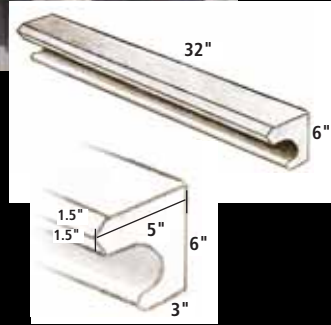
Available in these 4 standard colors:



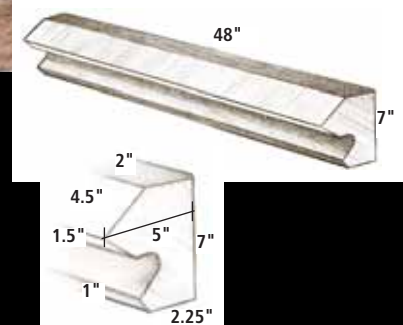
Available in these 4 standard colors:



### Siota Beveled Edge Sill With Bull Nose Apron



### Siota Beveled Edge Sill With Apron

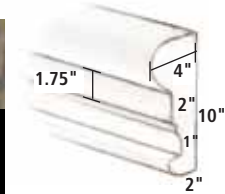


### Siota Beveled Edge Water Table



### Siota English Water Table

Available in these 4 standard colors:



**SIZES:**  
 - 48" x 4" x 10"  
 - 54" x 4" x 10"

### Custom Siota English Window & Door Casing

Available in these 4 standard colors:



- Each arched casing is custom made

### Siota Bull Nose Window Stool



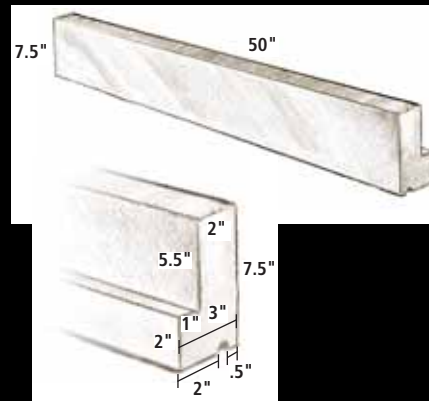
Available in these 4 standard colors:



- Shown above with additional band detail

### Siota Window Lintel

Available in these 4 standard colors:



### Hewn Window Lintel

Available in these 4 standard colors:



SIZES:  
- 42" x 8" x 2"  
- 62" x 8" x 2"

### Siota Accessory Bands



Right: Siota Row Locks  
Below: Trim  
Left: Window Bands



Available in these 4 standard colors:



SIZES:  
- 32" x 1.5" x 8"  
- 32" x 2.44" x 8"  
- 36" x 2.25" x 5"  
- 54" x 2.25" x 5"  
- 54" x 2.25" x 7"



### Siota Corner Bands



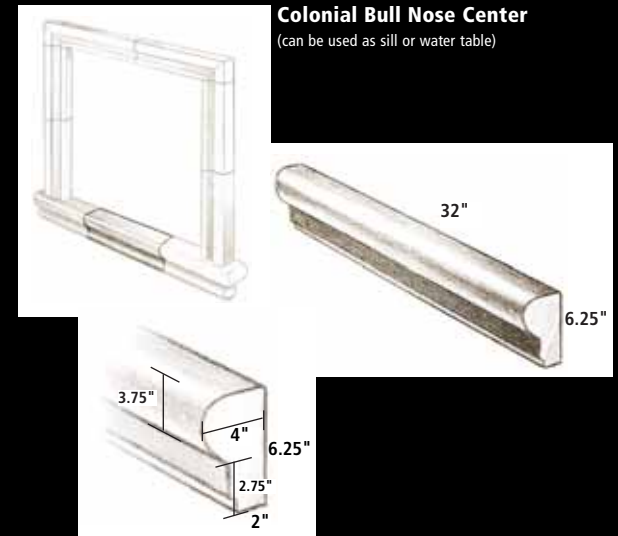
Accent your project by using Siota Accessory Bands and Corner Bands. They can be cut and used for many applications such as trim, window bands, and row locks. Our versatile Accessory Bands and Corner Bands are the perfect addition to any project and the only limit to the possibilities is your imagination.

# Siota Colonial Window Casing

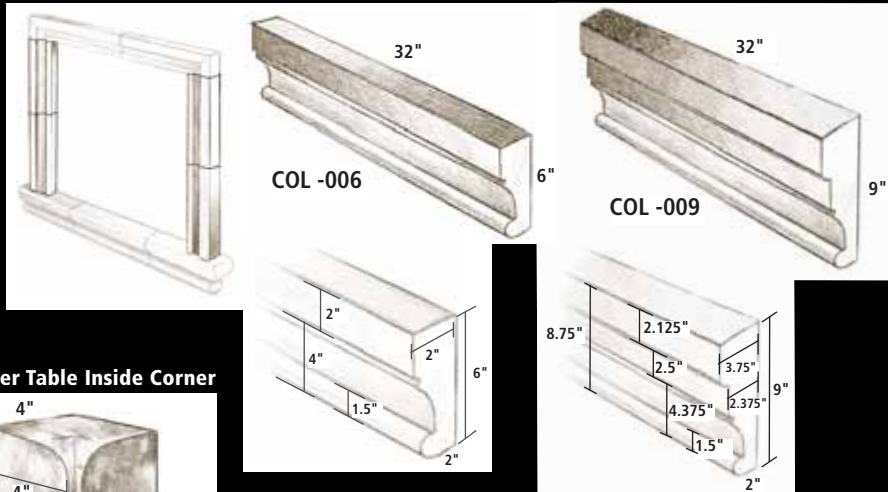
Available in these 4 standard colors:



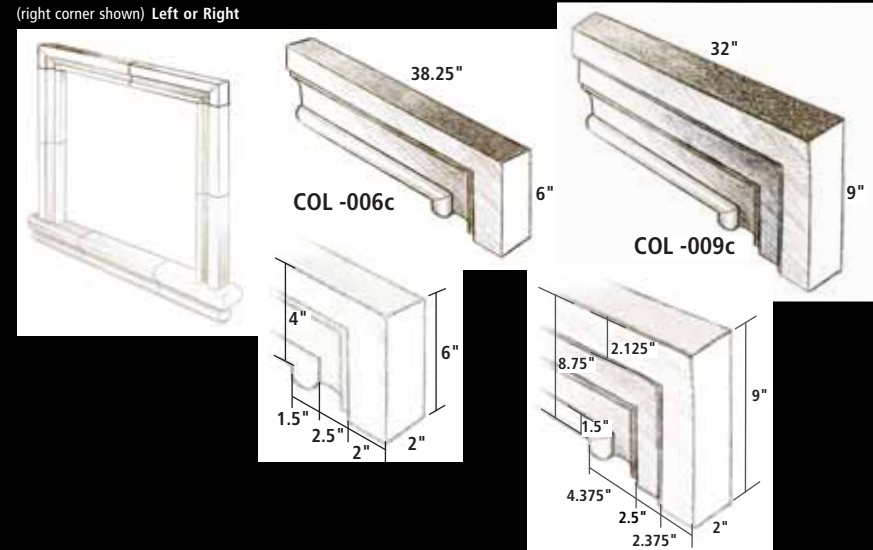
Siota Colonial Window Casings are made from five individual cast pieces. Each piece can be cut to a custom length to accommodate any window size.



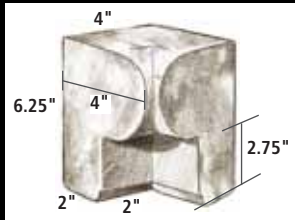
## Colonial Casing Center



## Colonial Casing Corner



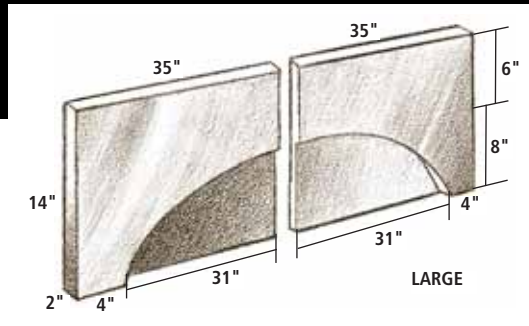
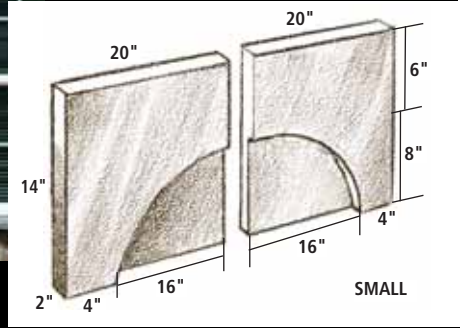
## Water Table Inside Corner



### Siota Window Header



Available in these 4 standard colors:



### Hewn Edge Pier Cap

Available in these 4 standard colors:



SIZES:  
 - 19" x 19" x 2" - 24" x 24" x 2" - 30" x 30" x 2"

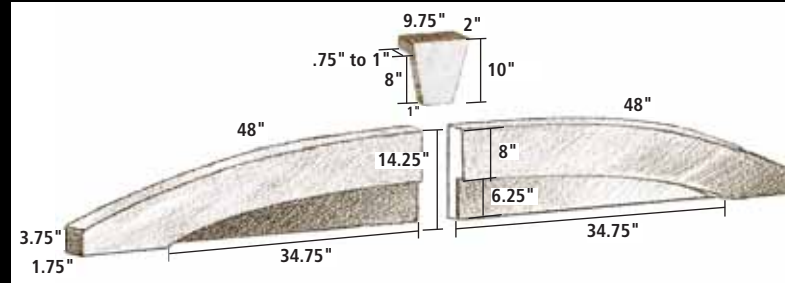
### Custom Siota Arched Band

Available in these 4 standard colors:



- Can be made to fit any window

### Sand Arched Window Header



Available in these 4 standard colors:



### Hewn Edge Wall Cap

Available in these 4 standard colors:

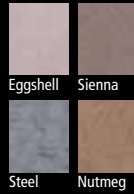


SIZES:  
 - 32" x 10" x 2" - 32" x 16" x 2" - 32" x 20" x 2"  
 - 32" x 14" x 2" - 32" x 18" x 2" - 32" x 24" x 2"

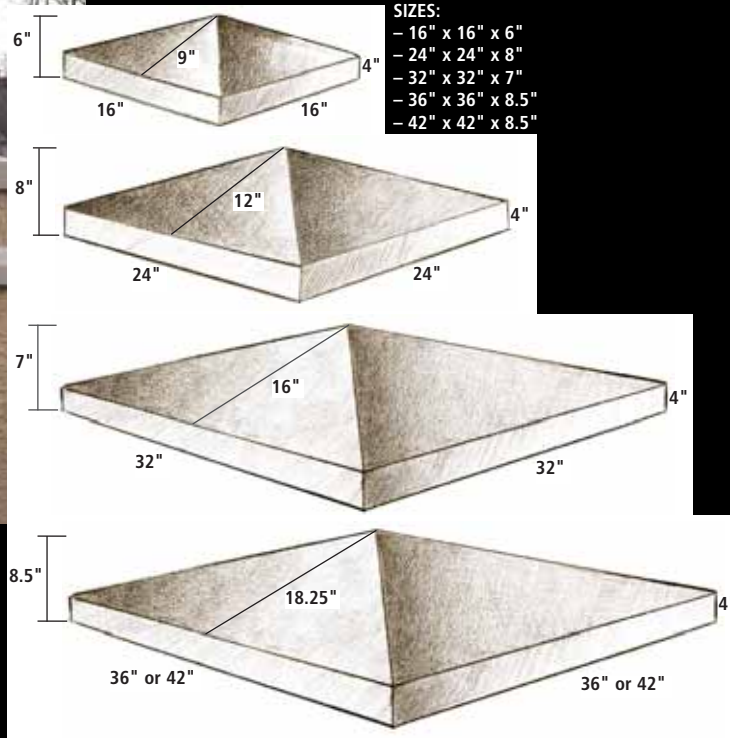


# Siota Pier Caps & Wall Caps

Available in these 4 standard colors:



## Peaked Pier Caps



- SIZES:
- 16" x 16" x 6"
  - 24" x 24" x 8"
  - 32" x 32" x 7"
  - 36" x 36" x 8.5"
  - 42" x 42" x 8.5"

## Bull Nose Wall Cap



- SIZES:
- 32" x 14" x 2"
  - 32" x 18" x 2"
  - 32" x 20" x 2"

## Peaked Wall Cap



- SIZES:
- 27" x 20" x 4" (with drip edge)
  - 32" x 14" x 4"
  - 32" x 16" x 4"
  - 32" x 18" x 4"
  - 32" x 22" x 4"

## Square Wall Cap



## 14" Beveled Wall Cap



## Peaked End Cap



## English Wall Cap




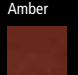
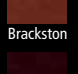
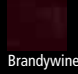
## 12" Beveled Wall Cap

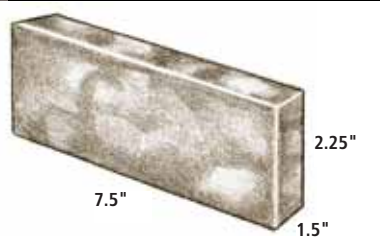


- SIZES:
- 27" x 20" x 4" (with drip edge)
  - 32" x 14" x 4"
  - 32" x 16" x 4"
  - 32" x 18" x 4"
  - 32" x 22" x 4"

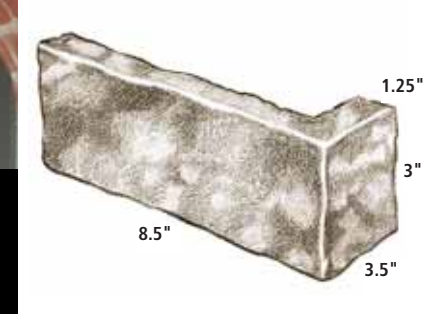
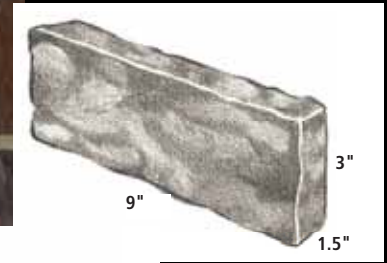
### Standard Brick

All Brick available in these 4 standard colors:

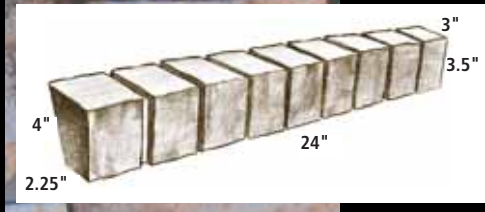
-  Amber
-  Brackston
-  Brandywine
-  Dunrite



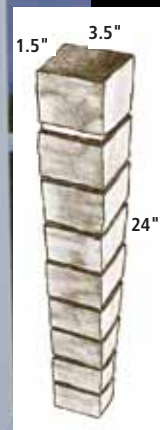
### Handcrafted Brick



### Standard Brick Sill



### Standard Brick Row Lock



### Handcrafted Brick Sill



### Handcrafted Brick Row Lock





# Committed to Quality Since 1976!



1 . 8 0 0 . 7 9 5 . 3 2 2 9

## Pennsylvania

Schnecksville 610.769.4091  
Refton 717.786.3229  
Thompsontown 717.535.5500  
Littlestown 717.359.4200  
Pittsburgh 724.368.3790

## Maryland & Delaware

Federsburg 410.754.0150

## Colorado

Denver 303.242.4310

## New England

Boston 717.535.5500

## Virginia

Richmond 804.751.9000

## West Virginia

Kearneysville 304.260.0093

## North Carolina

Mooresville 704.660.9418

Benson 919.207.3839



**Mixed Sources**  
Product group from well-managed  
forests, controlled sources and  
recycled wood or fibre  
www.fsc.org Cert no. SW-COC-002969  
© 1996 Forest Stewardship Council



## Administrative Offices

50 Refton Road P.O. Box 117 Refton, PA 17568  
T 1.800.795.3229 F 717.806.0961

The color reproductions in this brochure may vary from true manufactured stone veneer colors. We recommend that you examine the actual product samples in our showroom before final selection. Quality Stone Veneer, Inc. products are warranted for a period of 50 years against manufacturing defects.

QualityStoneVeneer.com 1.800.795.3229