



KROWN LAB

Iconic sliding door hardware crafted in Portland, Oregon.



KROWN LAB



Timeless, Iconic Product Solutions.

Krown Lab is a Portland, Oregon based company creating and manufacturing timeless architectural hardware for commercial and residential spaces. Our deliberate and thorough creative process results in elegant solutions with an iconic functionality. Our distinctive sliding door hardware systems are designed with thoughtful simplicity and sensibility, while celebrating the inherent beauty of the raw materials.

Product Philosophy

Creators & Makers



KROWN LAB

Staying Local

Krown Lab was founded and is based in Portland, Oregon. We thrive on the entrepreneurial spirit of the city. With a shared emphasis on quality over quantity, Portland provides the perfect back drop for our growing company. Harnessing the vibrant community of craftsmen, engineers, and fabricators in the area, we ensure a high level of quality control and a means for efficient and accurate product creation.

Sourcing products within the region supports the local economy, forges close-knit working relationships with outside partners, and provides a strong foundation for our business. In an increasingly digital and virtual world where products can be created remotely, we prefer to have a strong physical connection to the products we make throughout the creative process.

Creating Icons

Krown Lab is a company with deep roots in design. Our team is made up of a cross-functional group of designers and engineers, rich in experience in bringing products to market that stand the test of time. Our collective experience allows us multiple reference points and unique perspectives on product creation.

We invest heavily in design and innovation. We are interested in the long term, in timeless and simplicity, and in getting it right the first time. A belief that less really is more is at the core of every Krown Lab creation. All of our products have been distilled to their essence, with every detail of every part justified. The products we create are held to the highest quality standards—our own. We ultimately believe in only making products that we are proud to own and use ourselves.



| | |
|---|--------|
| GALLERY | 5 |
| <hr/> | |
| BALDUR | A-1.1 |
| <hr/> | |
| Product Specifications | A-1.2 |
| Polished Specifications | A-1.5 |
| Top Mount Technical Drawings..... | A-1.7 |
| Face Mount Technical Drawings..... | A-1.9 |
| Glass Technical Drawings | A-1.11 |
| | |
| ODEN | A-2.1 |
| <hr/> | |
| Product Specifications | A-2.2 |
| Top Mount Technical Drawings..... | A-2.7 |
| Face Mount Technical Drawings..... | A-2.9 |
| Glass Technical Drawings | A-2.11 |
| | |
| ROB ROY | A-3.1 |
| <hr/> | |
| Product Specifications | A-3.2 |
| Top Mount Technical Drawings..... | A-3.7 |
| Face Mount Technical Drawings..... | A-3.9 |
| Glass Technical Drawings | A-3.11 |
| | |
| PANELS | |
| <hr/> | |
| By-Passing Panel Information..... | B-1.1 |
| Glass Panel Drill Hole Specifications | B-1.2 |
| Wood Panel Drill Hole Specifications | B-1.3 |
| | |
| ACCESSORIES | E-1.1 |
| <hr/> | |
| Rail Pull..... | E-1.2 |
| Track End Cap..... | E-1.4 |
| Track Connector | E-1.5 |
| Bottom Guide Track..... | E-1.6 |
| Drywall Spacer..... | E-1.7 |
| | |
| STRUCTURE | |
| <hr/> | |
| Structural Information..... | F-1.1 |
| Terms & Conditions..... | F-1.3 |

Gallery



KROWN LAB

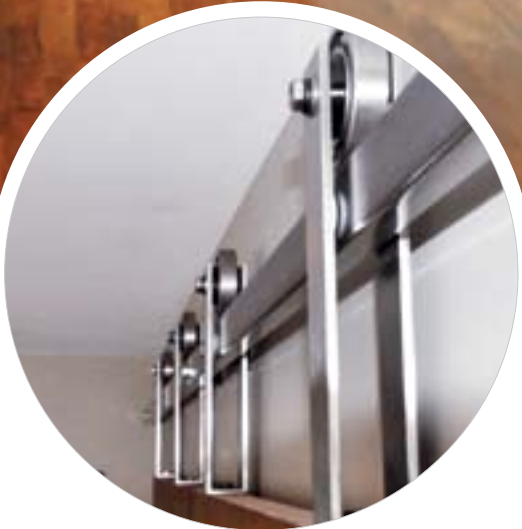


Vanillawood
Portland, Oregon

Gallery



KROWN LAB



Stewart Residence
Victoria, B.C.

Gallery



KROWN LAB



WGS Planned Interiors & Design
Portland, Oregon

Gallery



KROWN LAB



Berger Residence
Laguna Beach, California



Gallery



KROWN LAB



Rise Over Run
Portland, Oregon

BALDUR

Bal·der | bôldər |

God of Norse mythology associated with light, and beauty.



KROWN LAB



Sliding Door Hardware

BALDUR Product Specifications



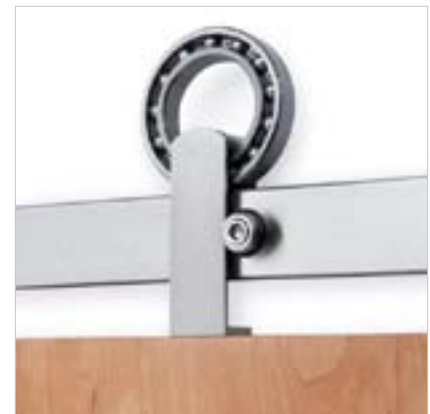
KROWN LAB



Shown with optional Track End Cap accessory (Sold separately).

Revolutionary Hubless Icon

Product Overview



An Icon Among Icons

Revolutionary iconic sliding door hardware system that will make anyone look twice. A patent pending construction on massive 4" exposed hubless bearings add to the impressiveness of this product. BALDUR makes a bold and powerful statement in any interior.

Precision Manufacturing

BALDUR is made from high quality stainless steel and is manufactured using precision casting. All exterior surfaces have a precise and consistent machine finish, while the interior has the beautiful natural finish that only high quality castings can provide.

Product Care

BALDUR is made from high quality stainless steel, and resists rust and corrosion even in humid or coastal environments. The product does not require any regular maintenance. To clean any time after installation, use a lint free cloth or sponge.*

*DO NOT use steel wool, or a Scotch Brite pad, as it can scratch the product. Bearings should occasionally be lubricated.

Sliding Door Hardware

BALDUR
Product Specifications



KROWN LAB

Configurations



BALDUR Top Mount

- For panels 1-3/8" to 3" thick.
- Holds up to 300-400 lbs.*
- Stainless or Polished finish.
- * Reference page A-1.7 for system specifics.



BALDUR Face Mount

- For panels 3/4" to 1-3/4" thick.
- Holds up to 300-400 lbs.*
- Stainless or Polished finish.
- * Reference page A-1.8 for system specifics.



BALDUR Glass

- For panels 3/8" to 3/4" thick.
- Holds up to 300-400 lbs.*
- Stainless or Polished finish.
- Reference page A-1.11 for system specifics.

Sizes



BALDUR 6 top mount shown

BALDUR 6 Specifics

- Overall track length is 70." Spacing between attachment points is 30."
- Ideal for 36" wide panels with 32" wide door opening.*

BALDUR 8 Specifics

- Overall track length is 94." Spacing between attachment points is 42."
- Ideal for 48" wide panels with 44" wide door opening.*

BALDUR Custom Specifics

- The BALDUR track can be custom cut to fit your specific application.
- Bi-parting and by-passing configurations are available.
- Contact a sales representative for specific information.

* We recommend that panels are at least 2"-4" wider than the door opening.

Sliding Door Hardware

BALDUR
Product Specifications



KROWN LAB

Adjustability



Top Mount

Our original design allows for lateral fine-tuning of the panel at the trolley attachment point. This flexibility enables adjustment of the panel further from or closer to the wall.



Face Mount & Glass Mount

Our unique design allows for easy vertical fine-tuning of the panel at the trolley attachment points after the system has been installed. This flexibility enables panel leveling and alignment adjustments. Reference our Installation Instructions for further details regarding panel adjustability.

Bottom Guide Options



Bottom Guide Post

The Bottom Guide Post is included with all systems and requires a routed channel in the bottom of the panel. The Bottom Guide Post prevents the panel from swinging away from the wall, and from rubbing against the wall or baseboard.



Bottom Guide Track

The Bottom Guide Track is sold separately. The linear brushed stainless steel track attaches to the bottom of the panel creating a channel for the Bottom Guide Post. Ideal for panels that don't easily allow a routed channel.



Bottom Guide Glass Posts

The Bottom Guide Glass Posts are included with all Glass Mount systems. The Posts prevent the panel from swinging away from the wall, and from rubbing against the wall or baseboard.

Sliding Door Hardware

BALDUR Polished Product Specifications



KROWN LAB



Polished Track End Caps included.

**Exclusive
Polished Finish**



For projects where that extra shine is desired, Krown Lab offers BALDUR Polished. Our top-shelf stainless steel hardware system, including track, trolleys, mounting hardware and end caps are all hand buffed by local craftsmen to a looking glass sheen. This exclusive finish, made custom to your order, provides a literal reflection of the exceptional taste of its surroundings, and of its occupants. BALDUR Polished; for those who require the extraordinary.

Product Use & Care

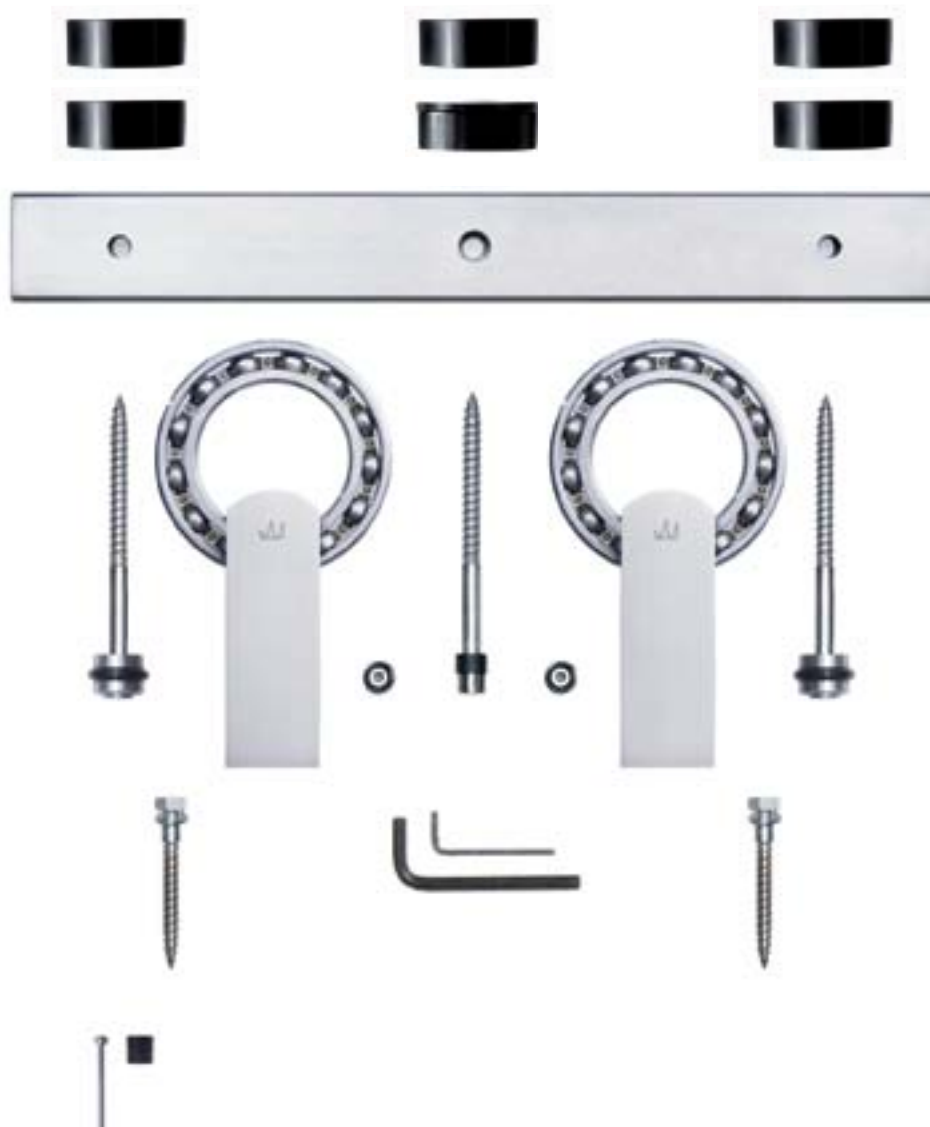
To clean the system at any time after installation, gently wipe down with a clean non-abrasive, micro-fiber cloth. Stainless steel cleaner (spray) or water can also be used to dampen cloth. Do not let any polished surface come into contact with abrasive materials as the finish can scratch.

Sliding Door Hardware

BALDUR Top Mount



KROWN LAB



What's Included

- 1 Track (not shown to scale).
- 2 BALDUR Top Mount trolleys.
- Mounting hardware.
- 1 Bottom guide post.

Sliding Door Hardware



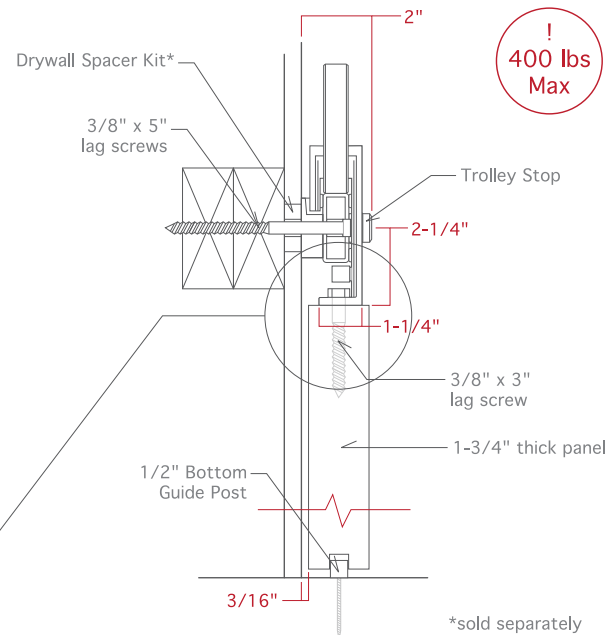
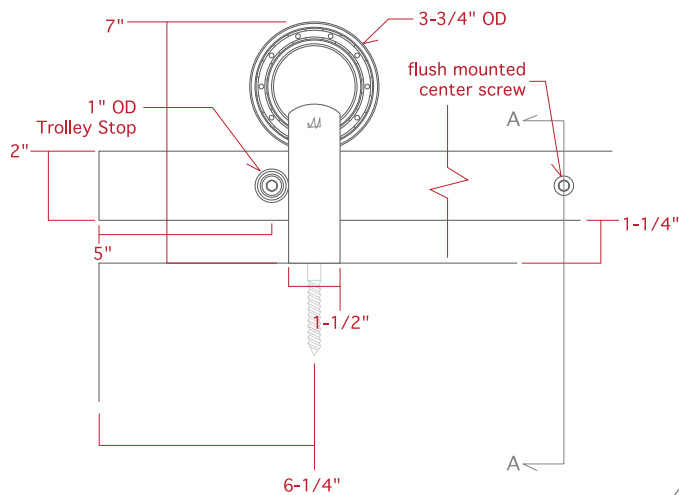
BALDUR Top Mount Technical Drawings

KROWN LAB

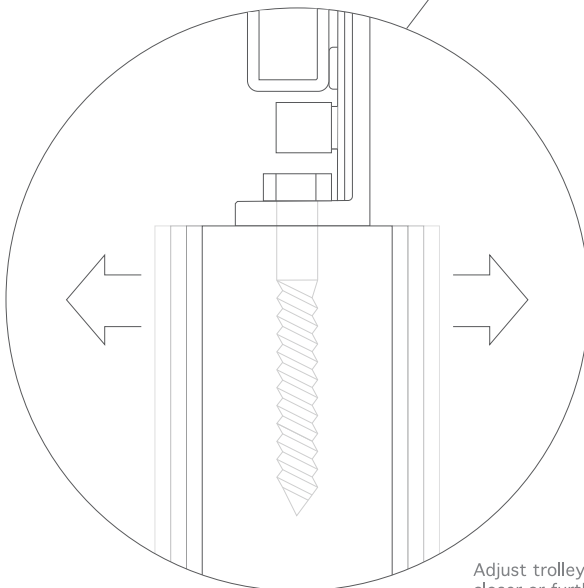
Compatible with panels 1-3/8" to 3" in thickness.

Shown here mounted through 1/2" drywall, into double 2x4 blocking between studs.

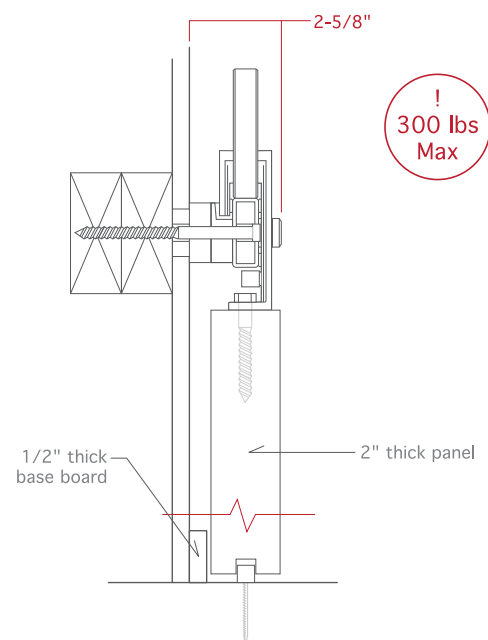
Section AA with single Track Mount Spacer
Maximum panel weight is 400 lbs



Section AA with double Track Mount Spacer
Maximum panel weight is 300 lbs



Adjust trolley to move panel closer or further away from the wall if desired

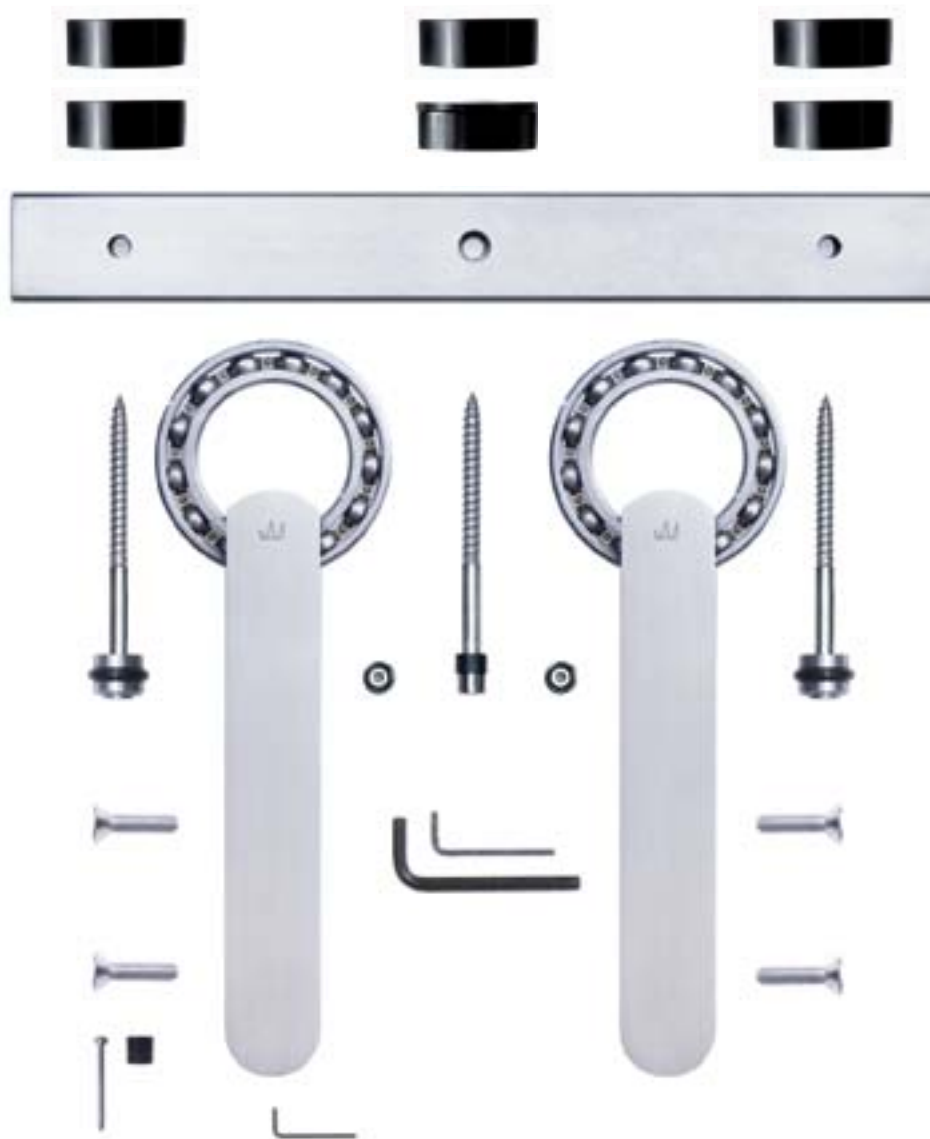


Sliding Door Hardware

BALDUR Face Mount



KROWN LAB



What's Included

- 1 Track (not shown to scale).
- 2 BALDUR Face Mount trolleys.
- Mounting hardware.
- 1 Bottom Guide Post.

Sliding Door Hardware

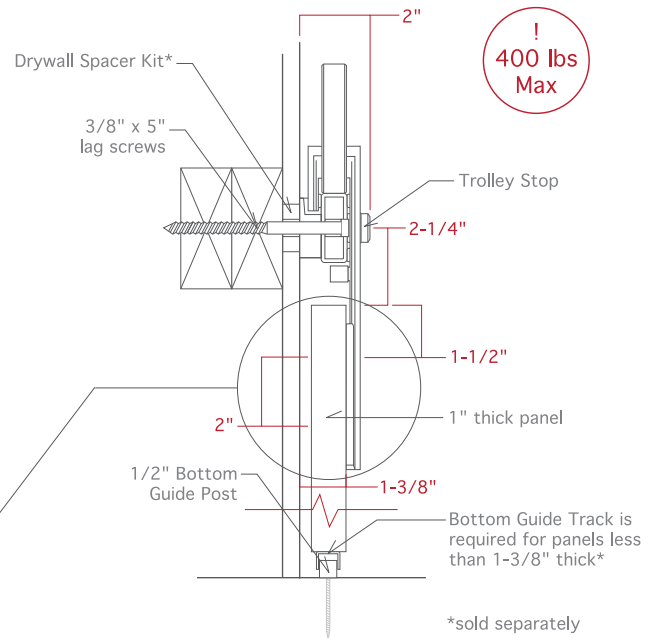
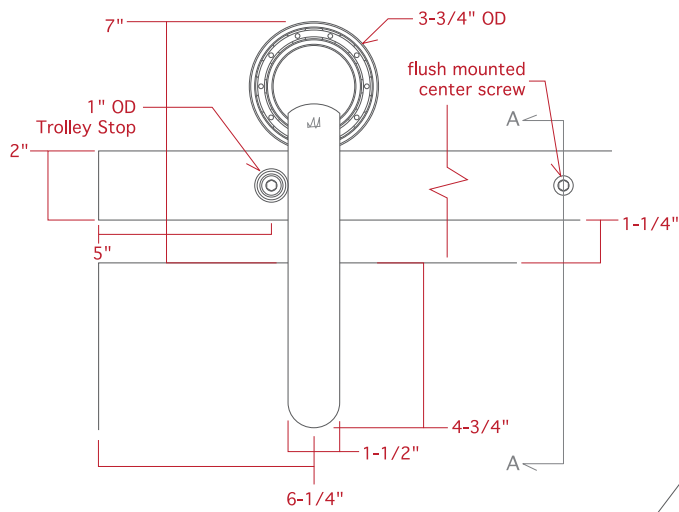


BALDUR Face Mount Technical Drawings

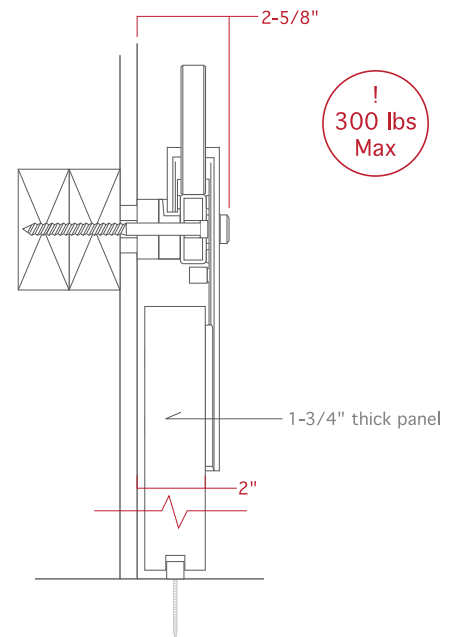
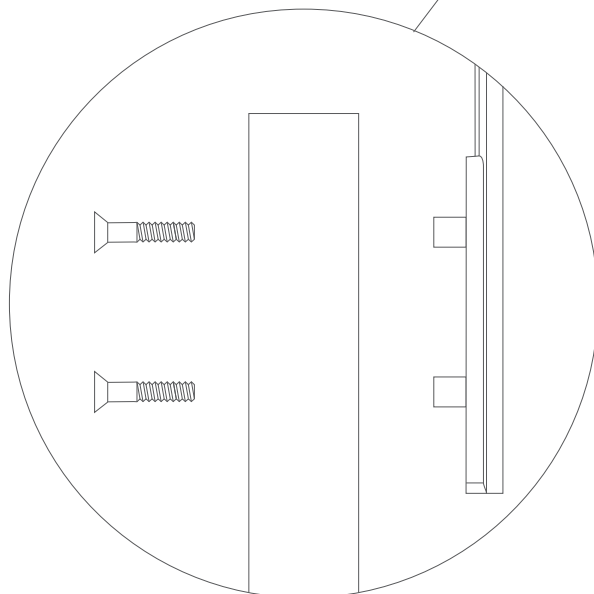
KROWN LAB

Compatible with door panels 3/4" to 1-3/4" in thickness without base moldings or base board.
Shown here mounted through 1/2" drywall, into double 2x4 blocking between studs.

Section AA with single Track Mount Spacer
Maximum panel weight is 400 lbs



Section AA with double Track Mount Spacer
Maximum panel weight is 300 lbs



Sliding Door Hardware

BALDUR Glass Mount



KROWN LAB



What's Included

- 1 Track (not shown to scale).
- 2 BALDUR Glass Mount trolleys.
- Mounting hardware.
- 2 Bottom Guide Glass Posts.

Sliding Door Hardware



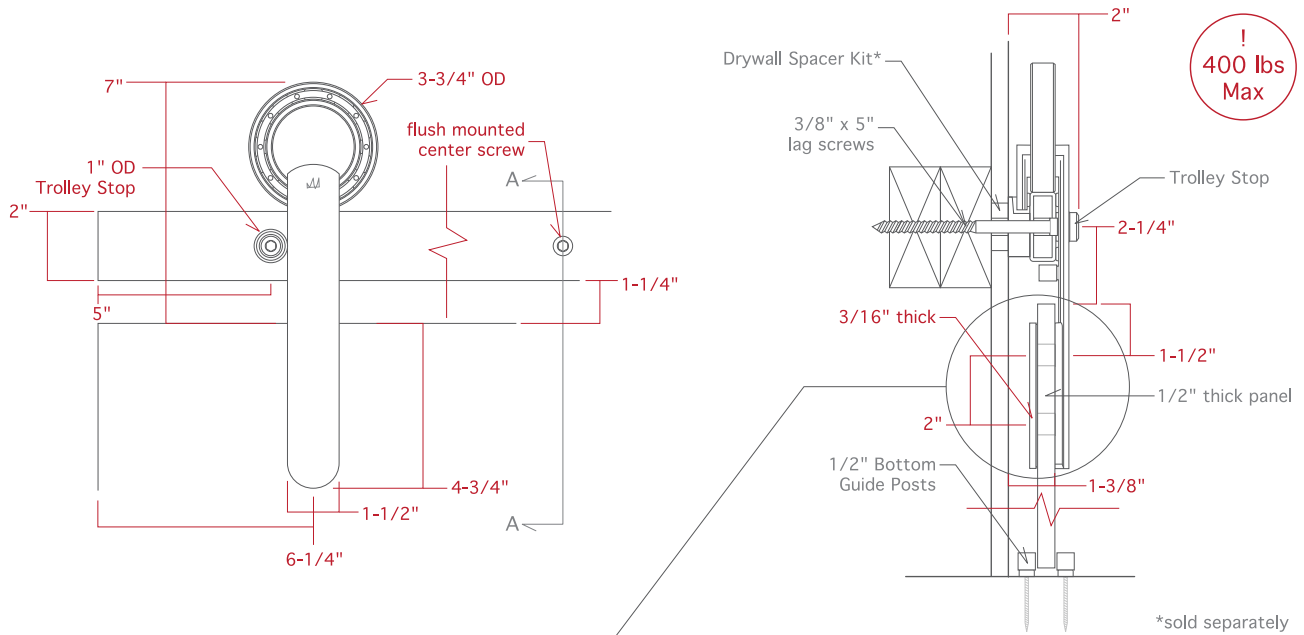
BALDUR Glass Mount Technical Drawings

KROWN LAB

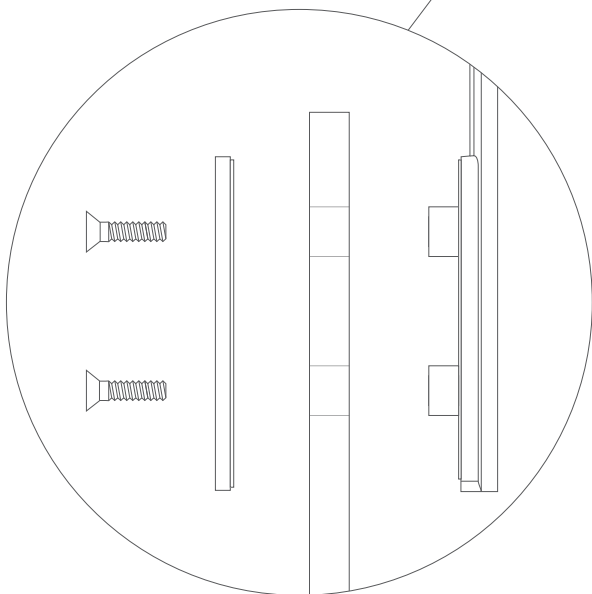
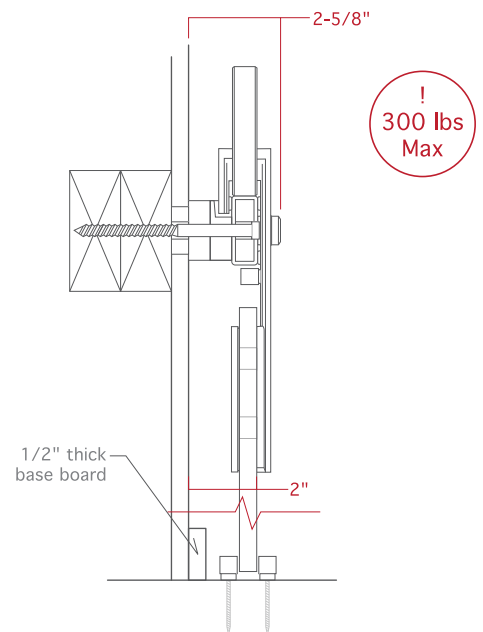
Compatible with door panels 3/8" to 3/4" in thickness.

Shown here mounted through 1/2" drywall, into double 2x4 blocking between studs.

Section AA with single Track Mount Spacer
Maximum panel weight is 400 lbs



Section AA with double Track Mount Spacer
Maximum panel weight is 300 lbs



ODEN

O·DIN | 'ö-dən |

God of Norse mythology associated with wisdom and poetry.



KROWN LAB



Sliding Door Hardware



ODEN

Product Specifications

KROWN LAB



Pure Refined
Precision

Product Overview



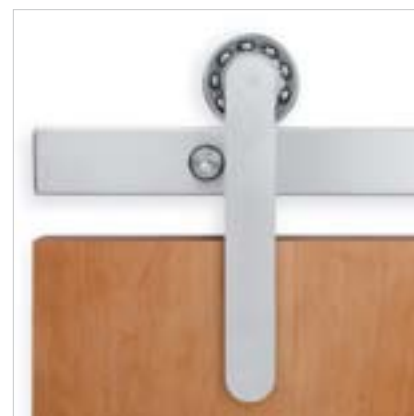
Iconic Purity

Pure and refined sliding door hardware system that makes a statement in any application. Hidden fasteners add to the streamline aesthetic of this product. Oden makes a sleek statement capturing timeless precision. Oden's sealed bearings also makes it suitable for outdoor and dusty environments.



Precision Manufacturing

ODEN is made from high quality stainless steel and is manufactured using precision casting. All exterior surfaces have a precise and consistent machine finish, while the interior has the beautiful natural finish that only high quality castings can provide.



Shown above with exposed bearings.

Product Care

ODEN is made from high quality stainless steel, and resists rust and corrosion even in humid or coastal environments. The product does not require any regular maintenance. To clean any time after install, use a lint free cloth or sponge.*

*DO NOT use steel wool, or a Scotch Brite pad, as it can scratch the product. Bearings should occasionally be lubricated.

Sliding Door Hardware



ODEN

Product Specifications

KROWN LAB

Configurations



ODEN Top Mount

- For panels 1-3/8" to 3" thick.
- Holds up to 300-400 lbs.*
- Sealed or exposed bearings.
- Reference page A-2.7 for system specifics.



ODEN Face Mount

- For panels 3/4" to 1-3/4" thick.
- Holds up to 300-400 lbs.*
- Sealed or exposed bearings.
- Reference page A-2.9 for system specifics.



ODEN Glass

- For panels 3/8" to 3/4" thick.
- Holds up to 300-400 lbs.*
- Sealed or exposed bearings.
- Reference page A-2.11 for system specifics.

Sizes



ODEN 6 top mount shown

ODEN 6 Specifics

- Overall track length is 70." Spacing between attachment points is 30."
- Ideal for 36" wide panels with 32" wide door opening.*

ODEN 8 Specifics

- Overall track length is 94." Spacing between attachment points is 42."
- Ideal for 48" wide panels with 44" wide door opening.*

ODEN Custom Specifics

- The ODEN track can be custom cut to fit your specific application.
- Bi-parting and by-passing configurations are available.
- Contact a sales representative for specific information.

* We recommend that panels are at least 2"-4" wider than the door opening.

Sliding Door Hardware

ODEN
Product Specifications



KROWN LAB

Adjustability



Top Mount

Our original design allows for lateral fine-tuning of the panel at the trolley attachment point. This flexibility enables adjustment of the panel further from or closer to the wall.



Face Mount & Glass Mount

Our unique design allows for easy vertical fine-tuning of the panel at the trolley attachment points after the system has been installed. This flexibility enables panel leveling and alignment adjustments. Reference our Installation Instructions for further details regarding panel adjustability.

Bottom Guide Options



Bottom Guide Post

The Bottom Guide Post is included with all systems and requires a routed channel in the bottom of the panel. The Bottom Guide Post prevents the panel from swinging away from the wall, and from rubbing against the wall or baseboard.



Bottom Guide Track

The Bottom Guide Track is sold separately. The linear brushed stainless steel track attaches to the bottom of the panel creating a channel for the Bottom Guide Post. Ideal for panels that don't easily allow a routed channel.



Bottom Guide Glass Posts

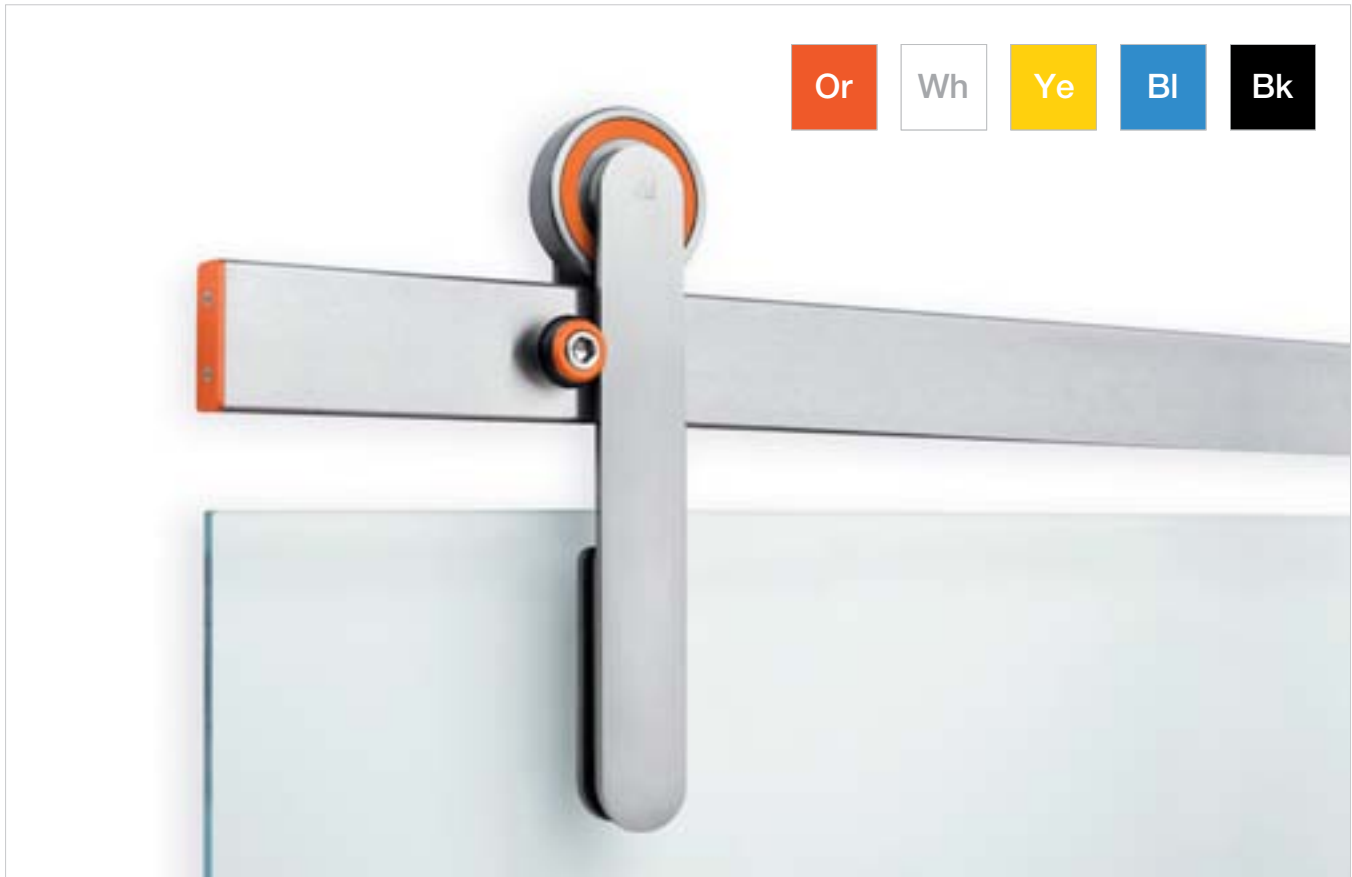
The Bottom Guide Glass Posts are included with all Glass Mount systems. The Posts prevent the panel from swinging away from the wall, and from rubbing against the wall or baseboard.

Sliding Door Hardware

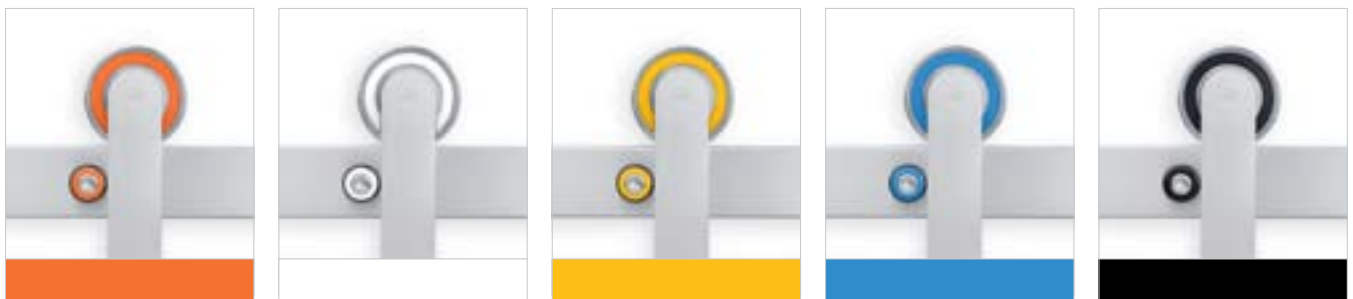


ODEN
Color Options

KROWN LAB



Color Accent Kit



Our curated color palette will energize any environment. Make a bold expression in orange, white, yellow, blue, or black. ODEN's color accents include upgraded trolley bearing seals, trolley stops, and track end caps. Each component undergoes a meticulous process that applies an industrial-grade coating with a classic matte finish. Our inspired accents amplify ODEN'S sleek, refined aesthetic while staying true to a thoughtful design simplicity.

Sliding Door Hardware

ODEN Top Mount



KROWN LAB



What's Included

- 1 Track (not shown to scale).
- 2 ODEN Top Mount trolleys.
- Mounting hardware, and Optional Bearing Stops.*
- 1 Bottom Guide Post.

*Optional Bearing Stops can be used to stop the panel short of the end of the track. Reference our Installation Instructions for further details.

Sliding Door Hardware



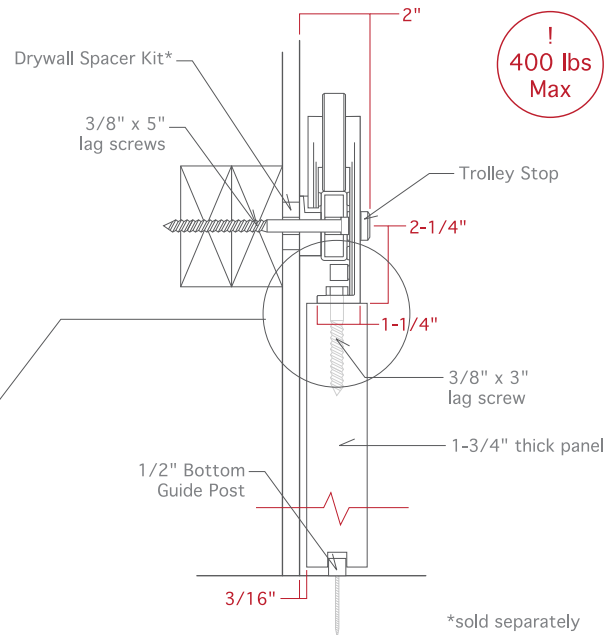
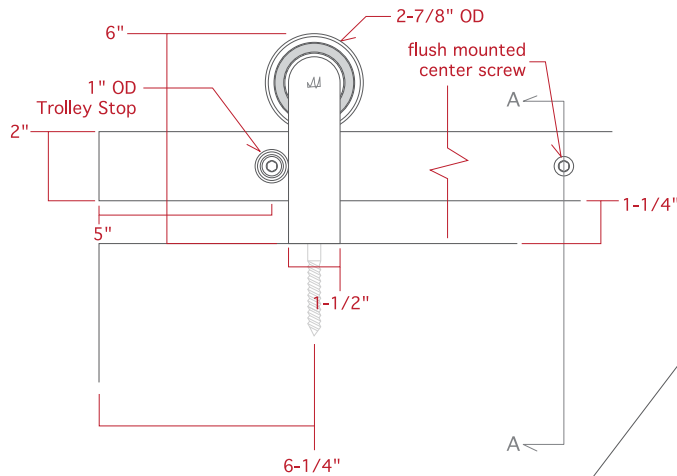
ODEN Top Mount Technical Drawings

KROWN LAB

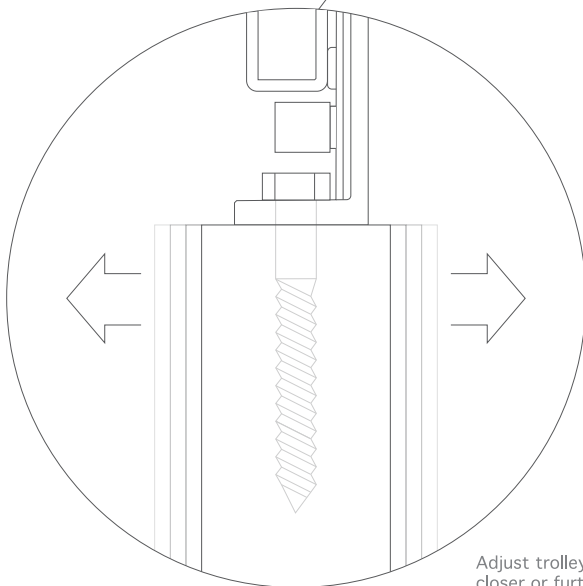
Compatible with panels 1-3/8" to 3" in thickness.

Shown here mounted through 1/2" drywall, into double 2x4 blocking between studs.

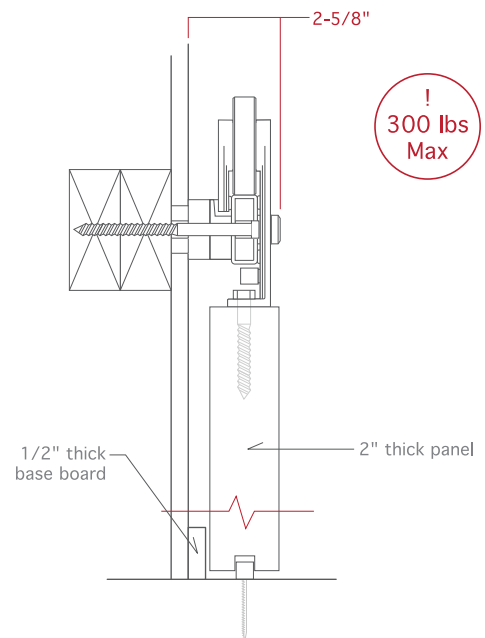
Section AA with single Track Mount Spacer
Maximum panel weight is 400 lbs



Section AA with double Track Mount Spacer
Maximum panel weight is 300 lbs



Adjust trolley to move panel closer or further away from the wall if desired

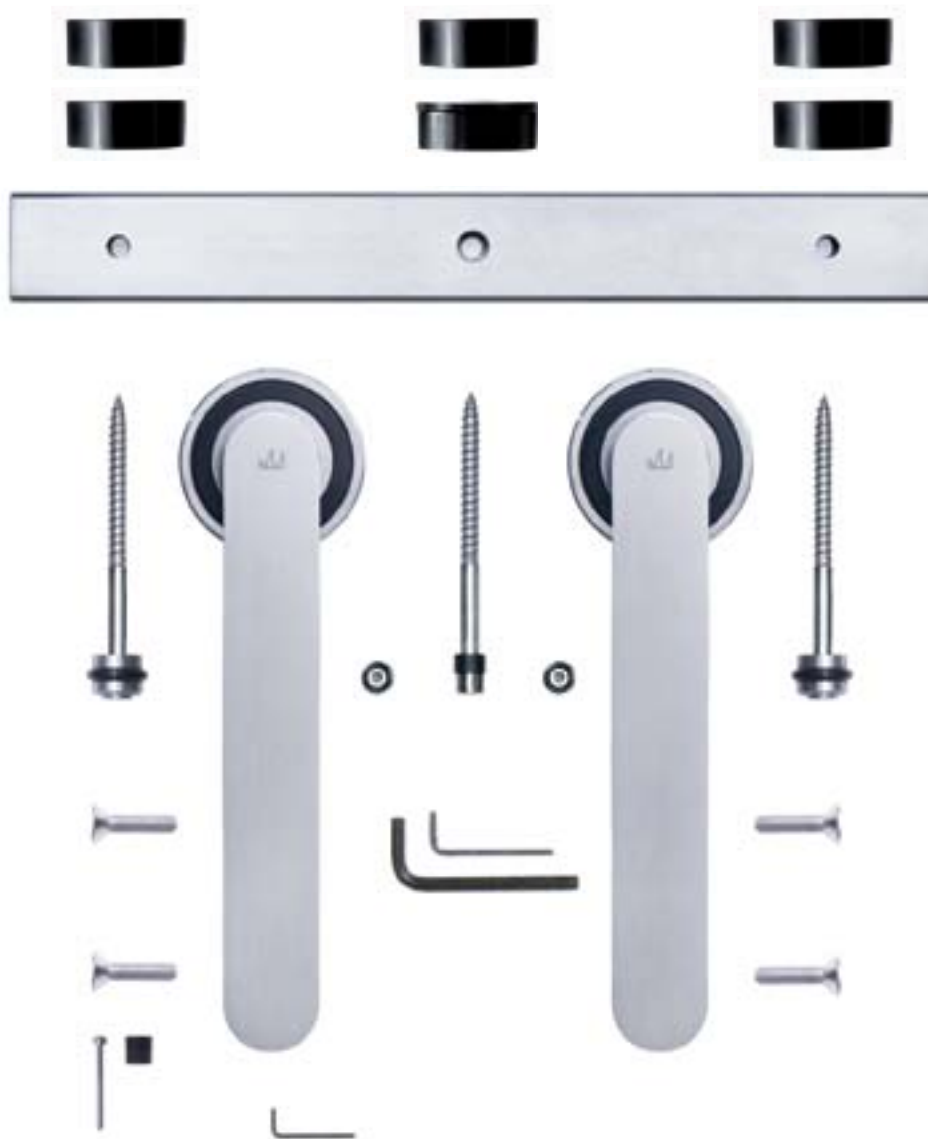


Sliding Door Hardware

ODEN Face Mount



KROWN LAB



What's Included

- 1 Track (not shown to scale).
- 2 ODEN Face Mount trolleys.
- Mounting hardware, and Optional Bearing Stops*.
- 1 Bottom Guide Post.

*Optional Bearing Stops can be used to stop the panel short of the end of the track. Reference our Installation Instructions for further details.

Sliding Door Hardware

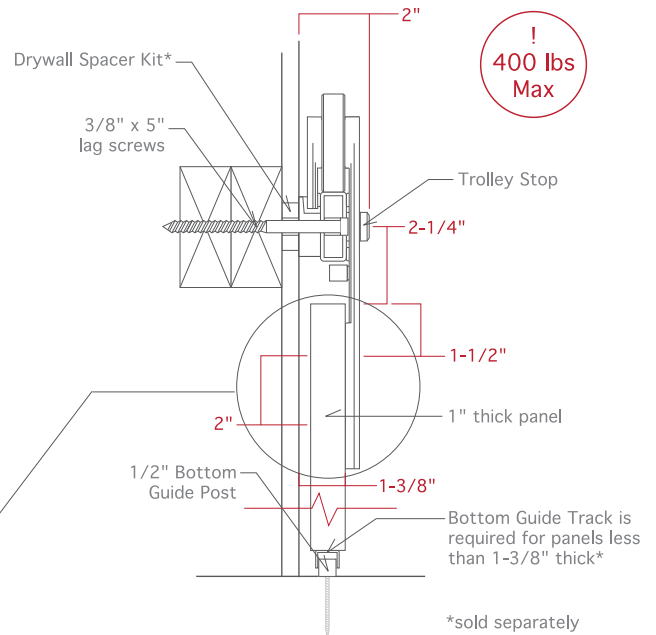
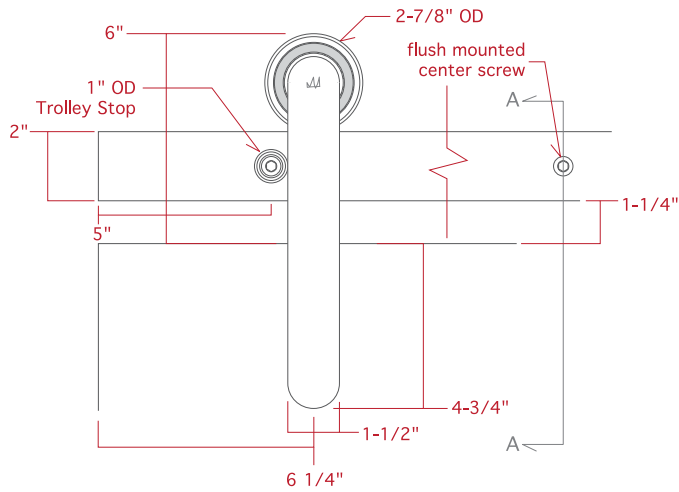


ODEN Face Mount Technical Drawings

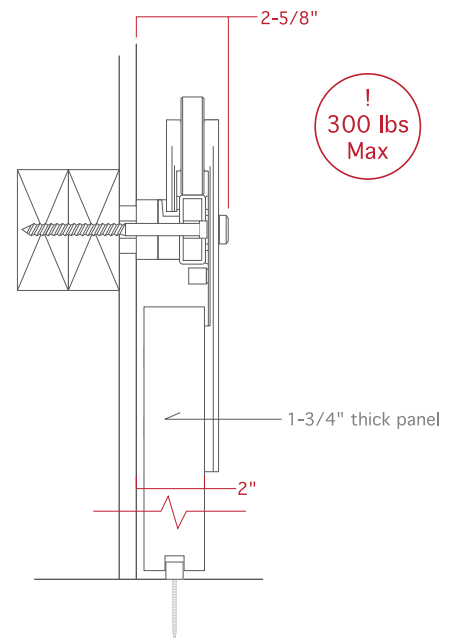
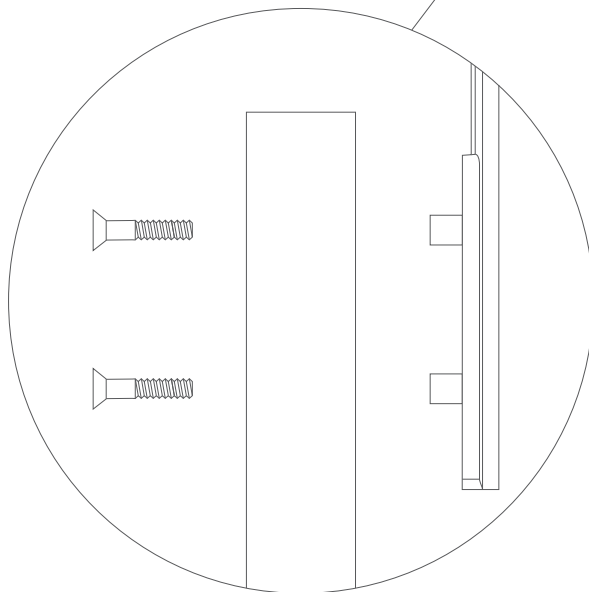
KROWN LAB

Compatible with door panels 3/4" to 1-3/4" in thickness without base moldings or base board.
Shown here mounted through 1/2" drywall, into double 2x4 blocking between studs.

Section AA with single Track Mount Spacer
Maximum panel weight is 400 lbs



Section AA with double Track Mount Spacer
Maximum panel weight is 300 lbs



Sliding Door Hardware

ODEN Glass Mount



KROWN LAB



What's Included

- 1 Track (not shown to scale).
- 2 ODEN Glass Mount trolleys.
- Mounting hardware, and Optional Bearing Stops*.
- 2 Bottom Guide Glass Posts.

*Optional Bearing Stops can be used to stop the panel short of the end of the track. Reference our Installation Instructions for further details.

Sliding Door Hardware



ODEN Glass Mount

Technical Drawings

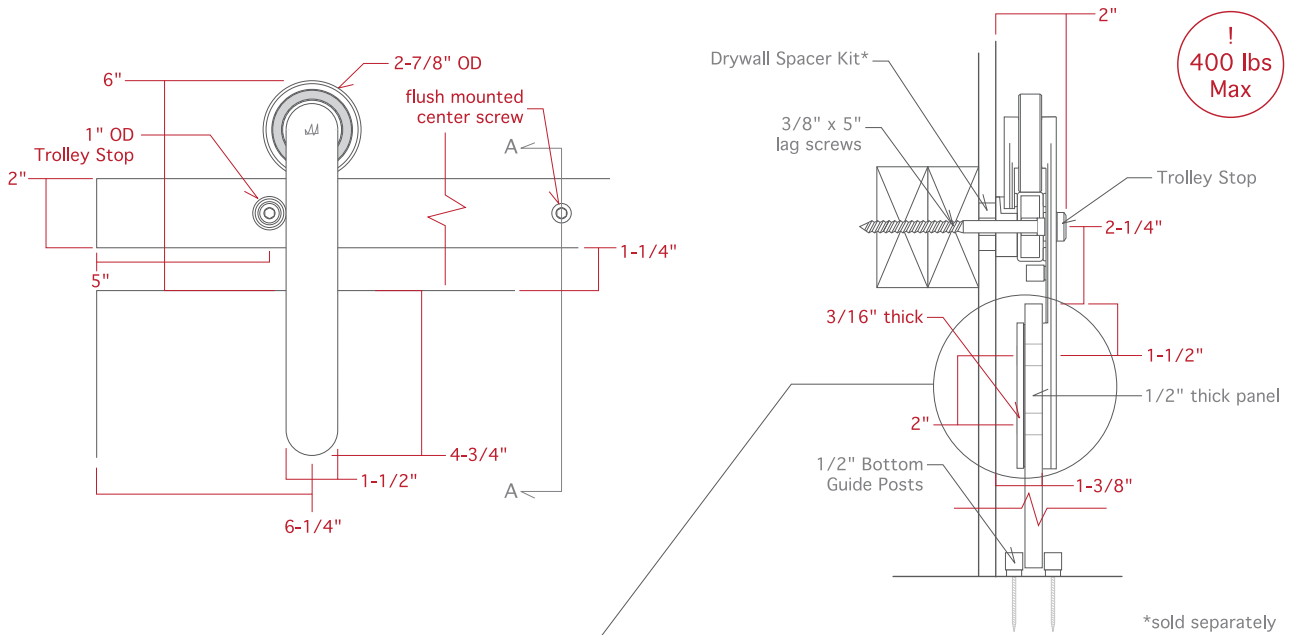
KROWN LAB

Compatible with door panels 3/8" to 3/4" in thickness.

Shown here mounted through 1/2" drywall, into double 2x4 blocking between studs.

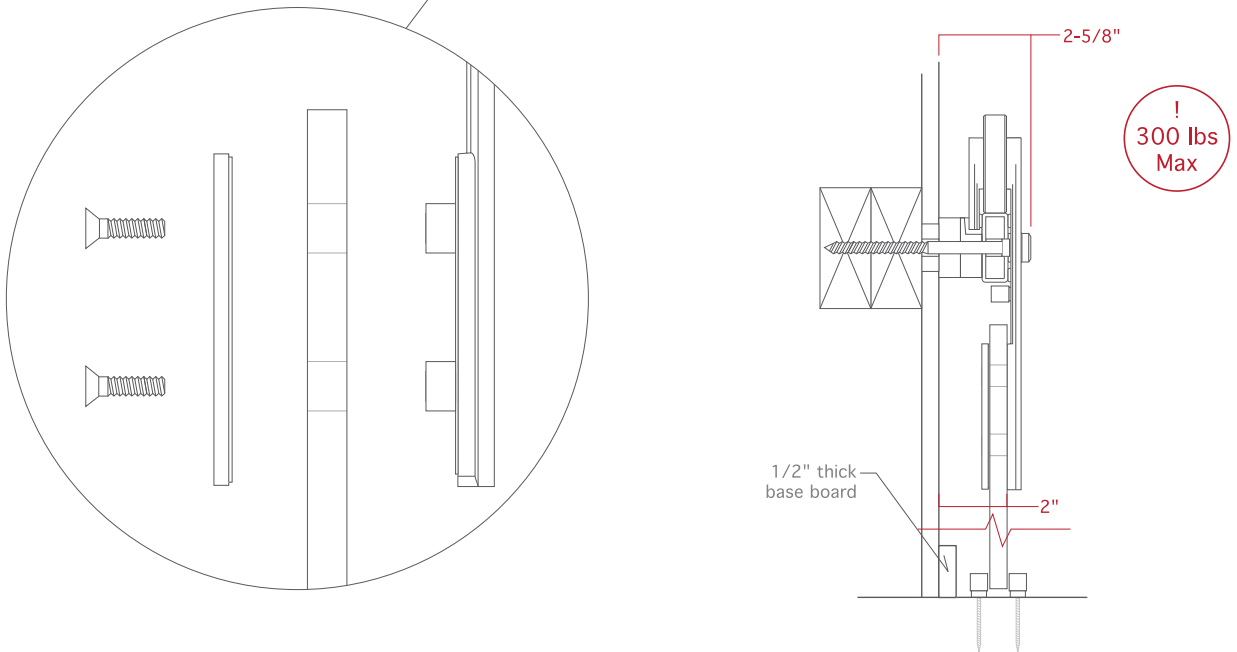
Section AA with single Track Mount Spacer

Maximum panel weight is 400 lbs



Section AA with double Track Mount Spacer

Maximum panel weight is 300 lbs



ROB ROY

ROB·ROY | 'röb-'röi |

Renowned local artisan. Maker of the first Krown Lab prototypes.



KROWN LAB



Sliding Door Hardware

ROB ROY
Product Specifications



KROWN LAB



**Raw Industrial
Beauty**

Product Overview



Deliberately Raw

Simple yet timeless sliding door hardware system with a distinct look for any environment. Exposed 3" industrial bearings and visible fasteners creates an iconic product with a raw, beautiful look.



Honest Fabrication

ROB ROY is made from laser cut and welded high quality stainless steel, and finished to let the material's natural beauty shine through. The product's straight forward fabrication and simple construction makes installation fast and easy.



Product Care

ROB ROY is made from high quality stainless steel and doesn't require any regular maintenance*. To clean product any time after installation, use a dampened lint free cloth or sponge.** Maintenance free stainless steel bearings are available as an upgrade.

Sliding Door Hardware

ROB ROY Product Specifications



KROWN LAB

Configurations



ROB ROY Top Mount

- For panels 1-3/8" to 3" thick.
- Holds up to 150 lbs.
- Stainless finish.
- Reference page A-3.7 for system specifics.



ROB ROY Face Mount

- For panels 3/4" to 1-3/4" thick.
- Holds up to 150 lbs.
- Stainless finish.
- Reference page A-3.9 for system specifics.



ROB ROY Glass

- For panels 3/8" to 3/4" thick.
- Holds up to 150 lbs.
- Stainless finish.
- Reference page A-3.11 for system specifics.

Sizes



ROB ROY 6 top mount shown

ROB ROY 6 Specifics

- Overall track length is 70." Spacing between attachment points is 30."
- Ideal for 36" wide panels with 32" wide door opening.*

ROB ROY 8 Specifics

- Overall track length is 94." Spacing between attachment points is 42."
- Ideal for 48" wide panels with 44" wide door opening.*

ROB ROY Custom Specifics

- The ROB ROY track can be custom cut to fit your specific application.
- Contact a sales representative for specific information.

* We recommend that panels are at least 2"-4" wider than the door opening.

Sliding Door Hardware

ROB ROY
Product Specifications



KROWN LAB

Adjustability



Top Mount

Our original design allows for lateral fine-tuning of the panel at the trolley attachment point. This flexibility enables adjustment of the panel further from or closer to the wall.



Face Mount & Glass Mount

Our unique design allows for easy vertical fine-tuning of the panel at the trolley attachment points after the system has been installed. This flexibility enables panel leveling and alignment adjustments. Reference our Installation Instructions for further details regarding panel adjustability.

Bottom Guide Options



Bottom Guide Post

The Bottom Guide Post is included with all systems and requires a routed channel in the bottom of the panel. The Bottom Guide Post prevents the panel from swinging away from the wall, and from rubbing against the wall or baseboard.



Bottom Guide Track

The Bottom Guide Track is sold separately. The linear brushed stainless steel track attaches to the bottom of the panel creating a channel for the Bottom Guide Post. Ideal for panels that don't easily allow a routed channel.



Bottom Guide Glass Posts

The Bottom Guide Glass Posts are included with all Glass Mount systems. The Posts prevent the panel from swinging away from the wall, and from rubbing against the wall or baseboard.

Sliding Door Hardware

ROB ROY



KROWN LAB



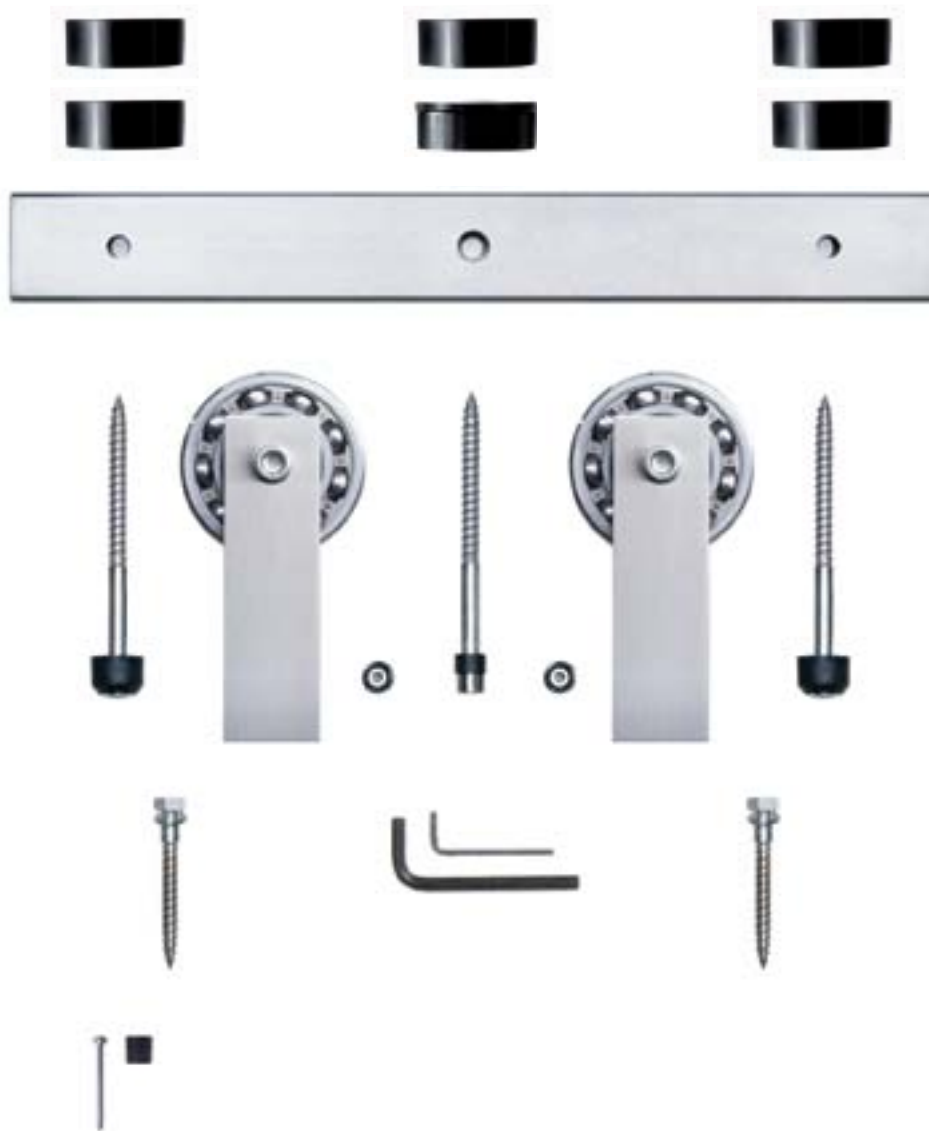
WGS Planned Interiors & Design
Portland, Oregon

Sliding Door Hardware

ROB ROY Top Mount



KROWN LAB



What's Included

- 1 Track (not shown to scale).
- 2 ROB ROY Top Mount trolleys.
- Mounting hardware, and Optional Bearing Stops*.
- 1 Bottom Guide Post.

*Optional Bearing Stops can be used to stop the panel short of the end of the track. Reference our Installation Instructions for further details.

Sliding Door Hardware

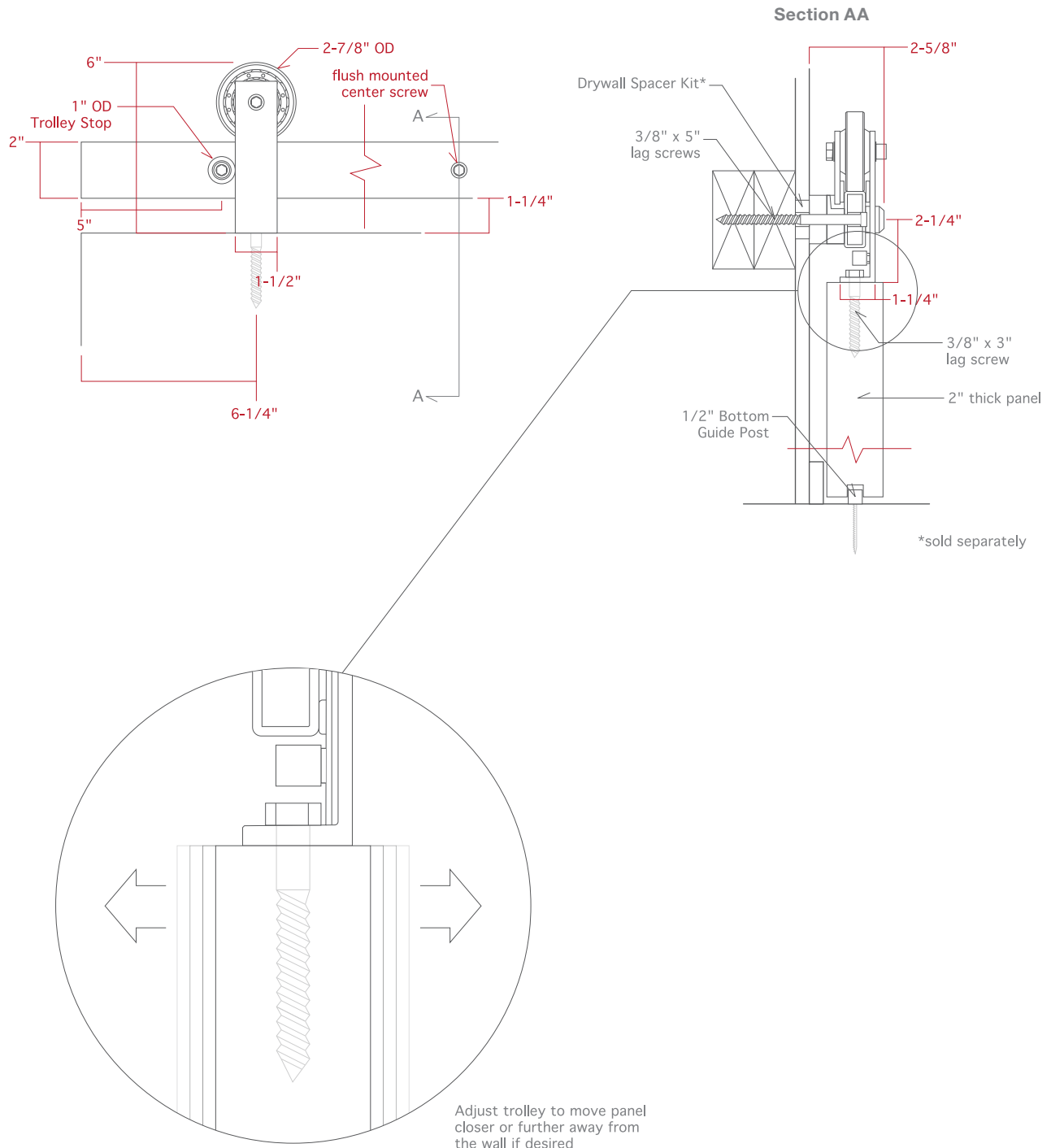
ROB ROY Top Mount Technical Drawings



KROWN LAB

Compatible with panels 1-3/8" to 3" in thickness.

Shown here mounted through 1/2" drywall, into double 2x4 blocking between studs.

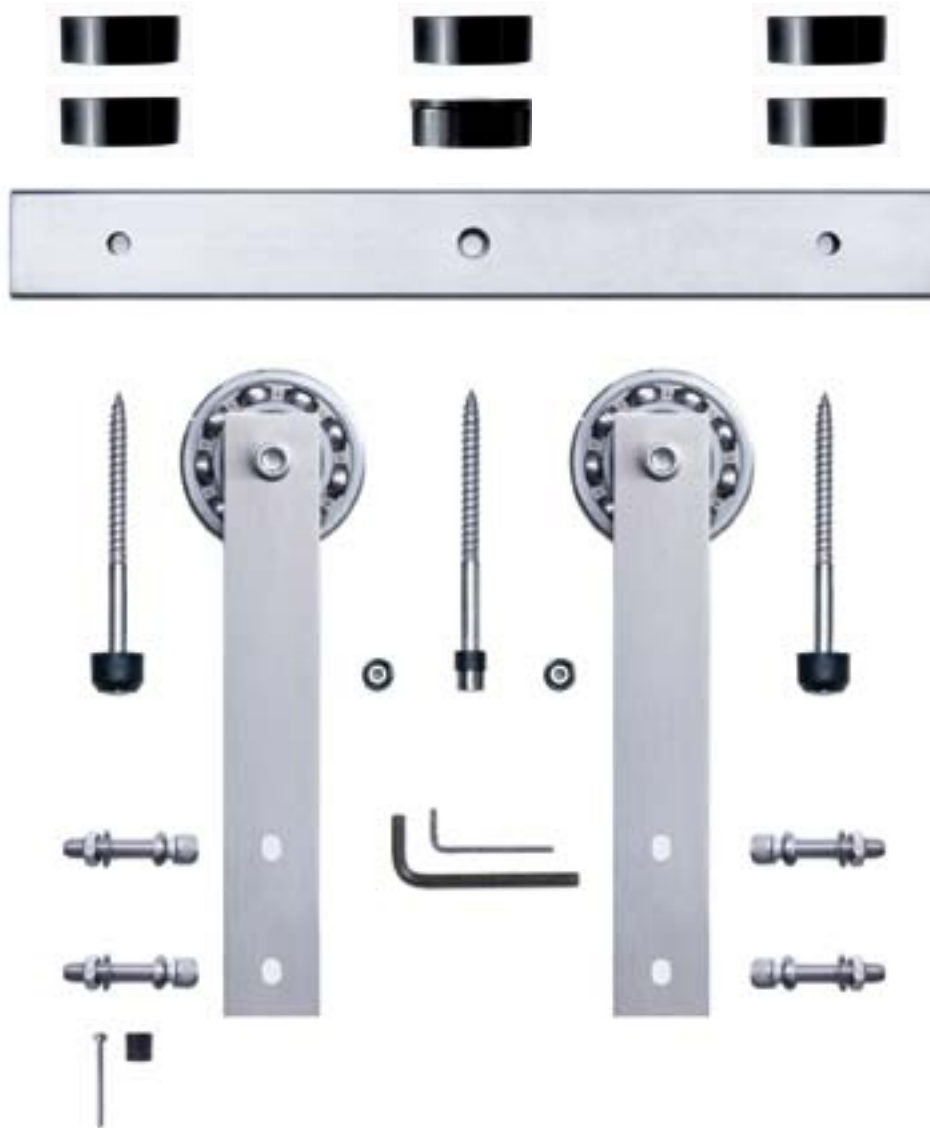


Sliding Door Hardware

ROB ROY Face Mount



KROWN LAB



What's Included

- 1 Track (not shown to scale).
- 2 ROB ROY Face Mount trolleys.
- Mounting hardware, and Optional Bearing Stops*.
- 1 Bottom Guide Post.

*Optional Bearing Stops can be used to stop the panel short of the end of the track. Reference our Installation Instructions for further details.

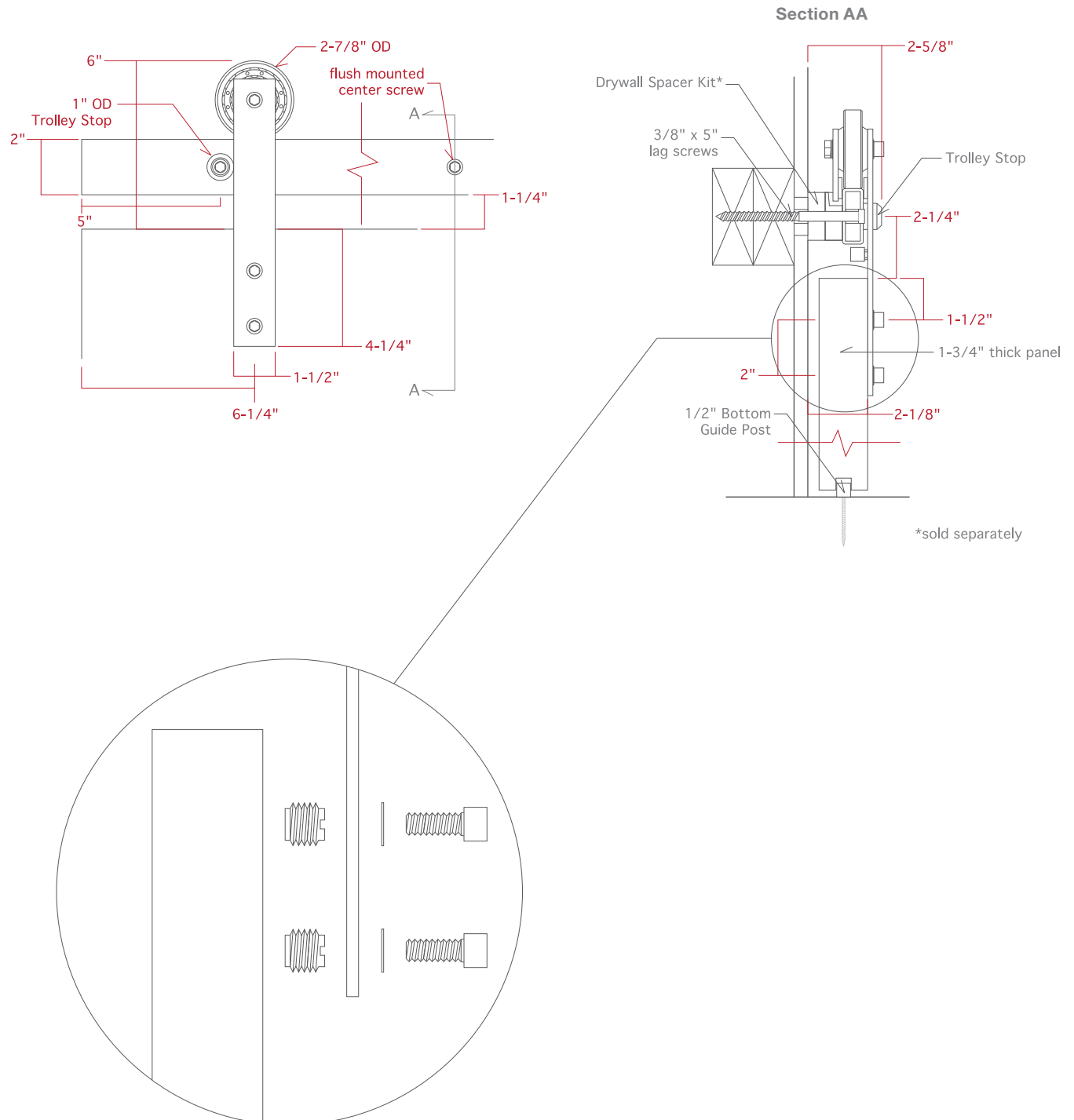
Sliding Door Hardware

ROB ROY Face Mount Technical Drawings



KROWN LAB

Compatible with door panels 3/4" to 1-3/4" in thickness without base moldings or base board.
Shown here mounted through 1/2" drywall, into double 2x4 blocking between studs.

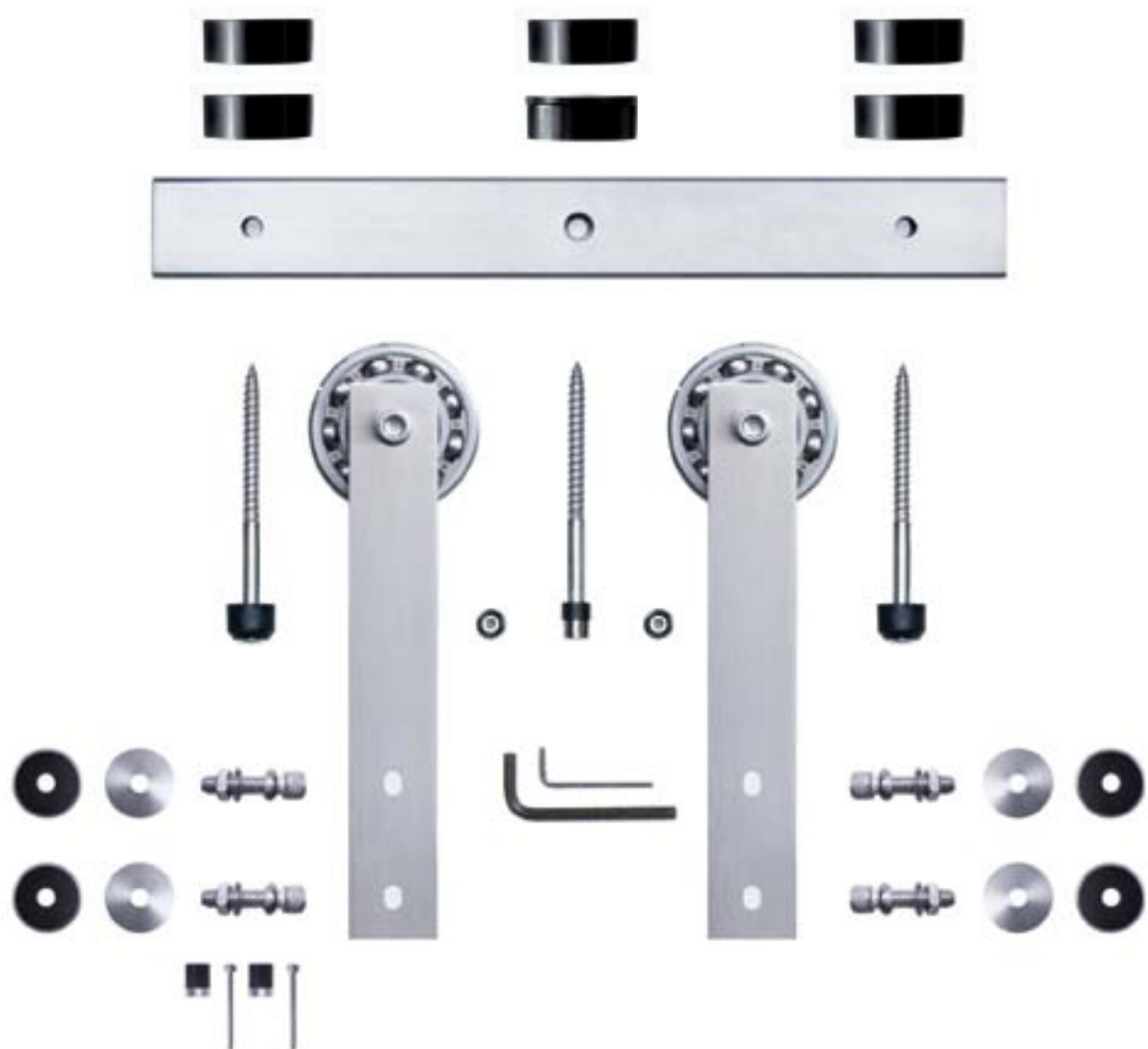


Sliding Door Hardware

ROB ROY Glass Mount



KROWN LAB



What's Included

- 1 Track (not shown to scale).
- 2 ROB ROY Glass Mount trolleys.
- Mounting hardware, and Optional Bearing Stops*.
- 2 Bottom Guide Glass Posts.

*Optional Bearing Stops can be used to stop the panel short of the end of the track. Reference our Installation Instructions for further details.

Sliding Door Hardware

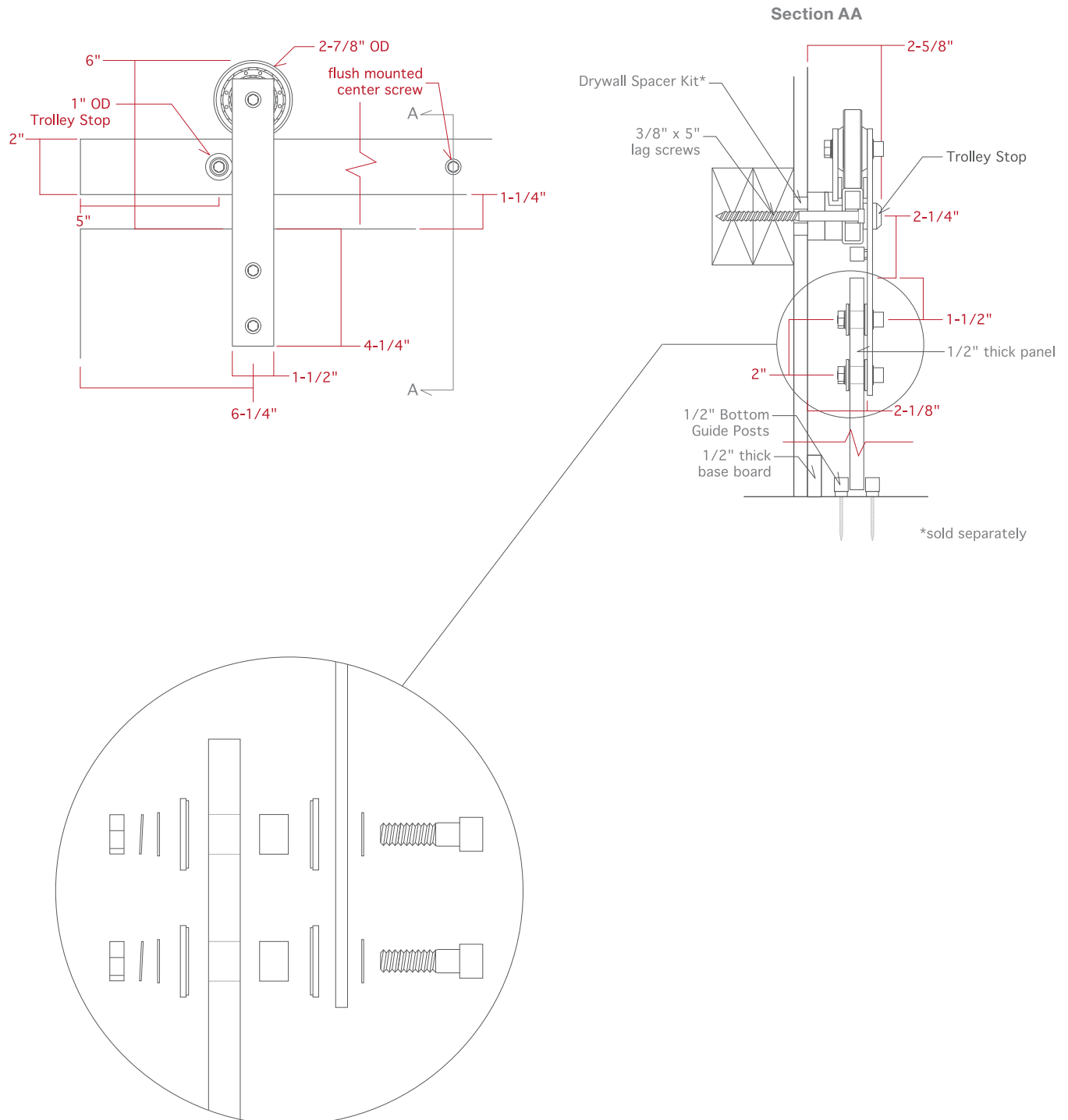
ROB ROY Glass Mount Technical Drawings



KROWN LAB

Compatible with door panels 3/8" to 3/4" in thickness.

Shown here mounted through 1/2" drywall, into double 2x4 blocking between studs.



Sliding Door Hardware



By-passing panels System Overview

KROWN LAB



By-Passing Specifics

Limited custom track configurations are possible in accordance with the below specifications.

- The standard conditions of use are for panels up to 50 lbs.
- For use on door openings with up to 8 ft. long track span.
- Available in both BALDUR and ODEN series.

By-Passing Features

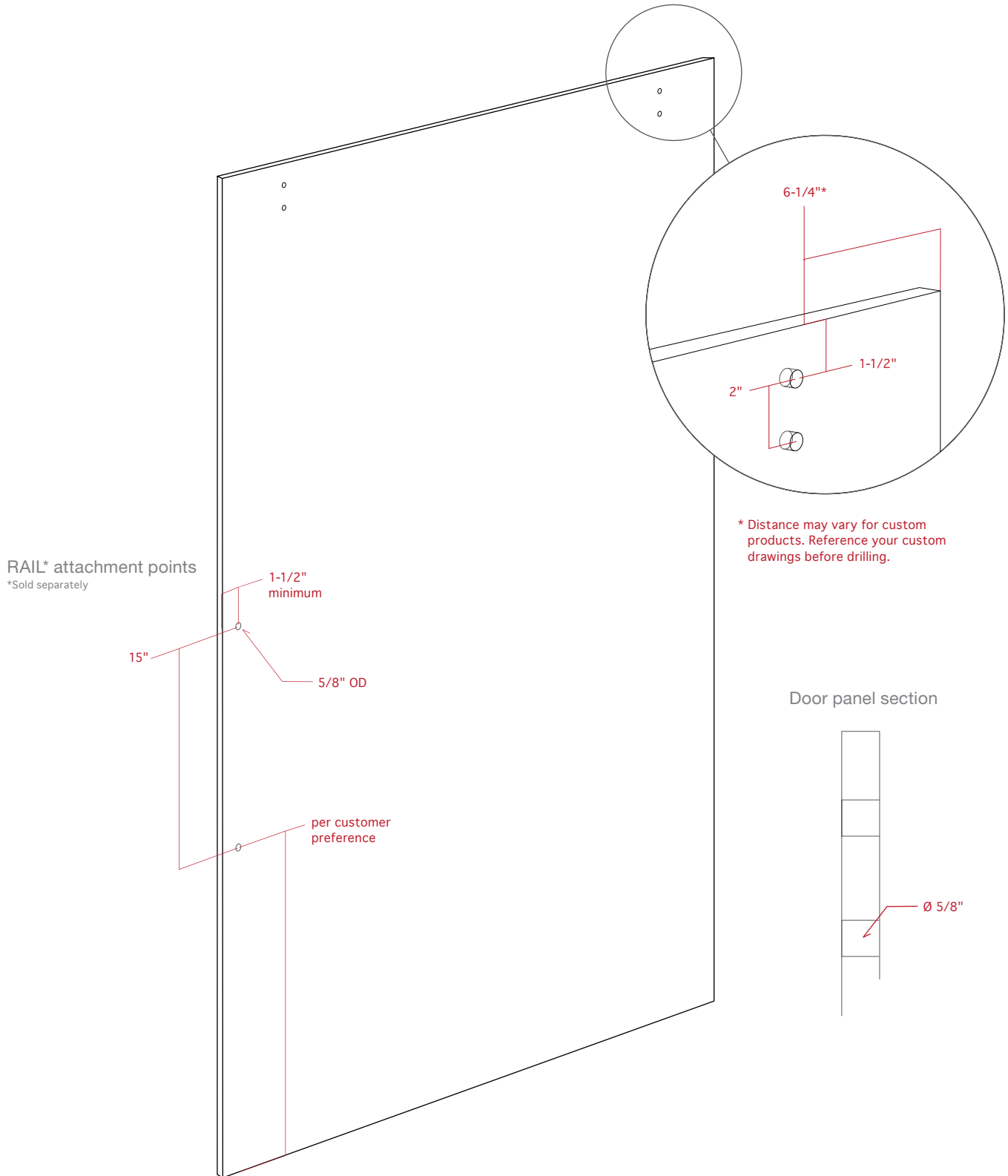
- Maximizes and allows greater flexibility in compact spaces.
- Works with a wide range of panel styles and materials.
- Enhances and adds value to spaces with a unique look and functionality.
- Compatible with most Krown Lab hardware accessories, please contact Krown Lab for further details.

Sliding Door Hardware

Glass Panel Drill Hole Specifications



KROWN LAB



Sliding Door Hardware

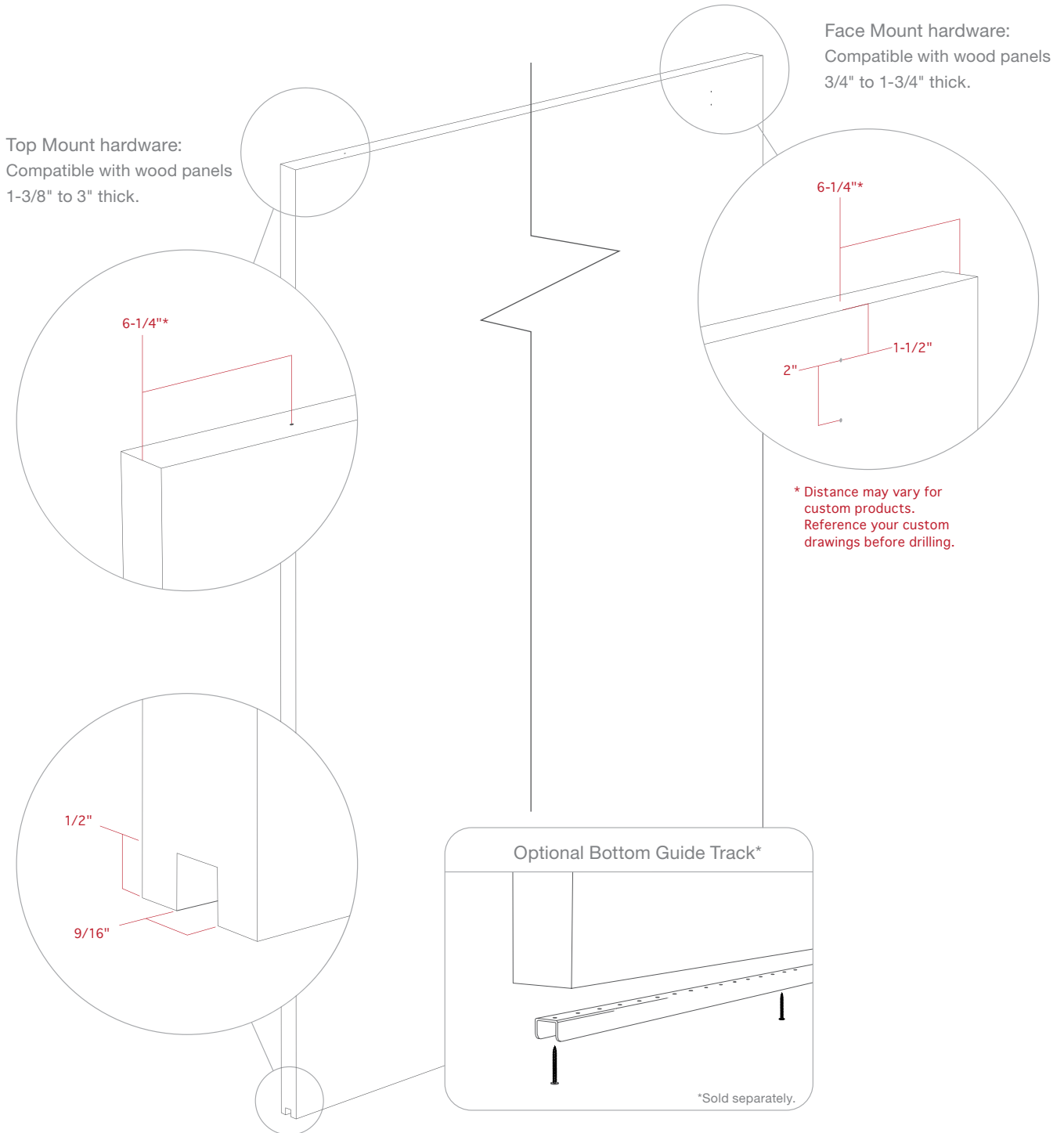


Wood Panel Drill Hole Specifications

KROWN LAB

Door Panel Considerations

When purchasing your door panel, make sure there is enough solid structural material at the top edge to fully engage the trolley mounting fasteners, and at the lower edge for bottom guide hardware or routed channel. Clearance between the top of the panel and ceiling must be sufficient to accommodate lifting your door panel with trolleys attached onto the track.



Sliding Door Hardware

Accessories



KROWN LAB



Sliding Door Hardware



RAIL Pull

Product Specifications

KROWN LAB



Simple Utilitarian
Amenity

Product Overview



Clever and simple design with invisible fasteners gives a clean look, and allows for flexible and easy installation. Perfect for elbowing or kneeling open when hands are full. Made from high quality stainless steel with a linear brush finish that matches the rest of the product line. Comes standard in 18" length, and in custom lengths to fit specific needs. Fits wood panels 3/4" to 3" thick, and glass panels 3/8" to 3/4" thick with provided hardware.

Sliding Door Hardware

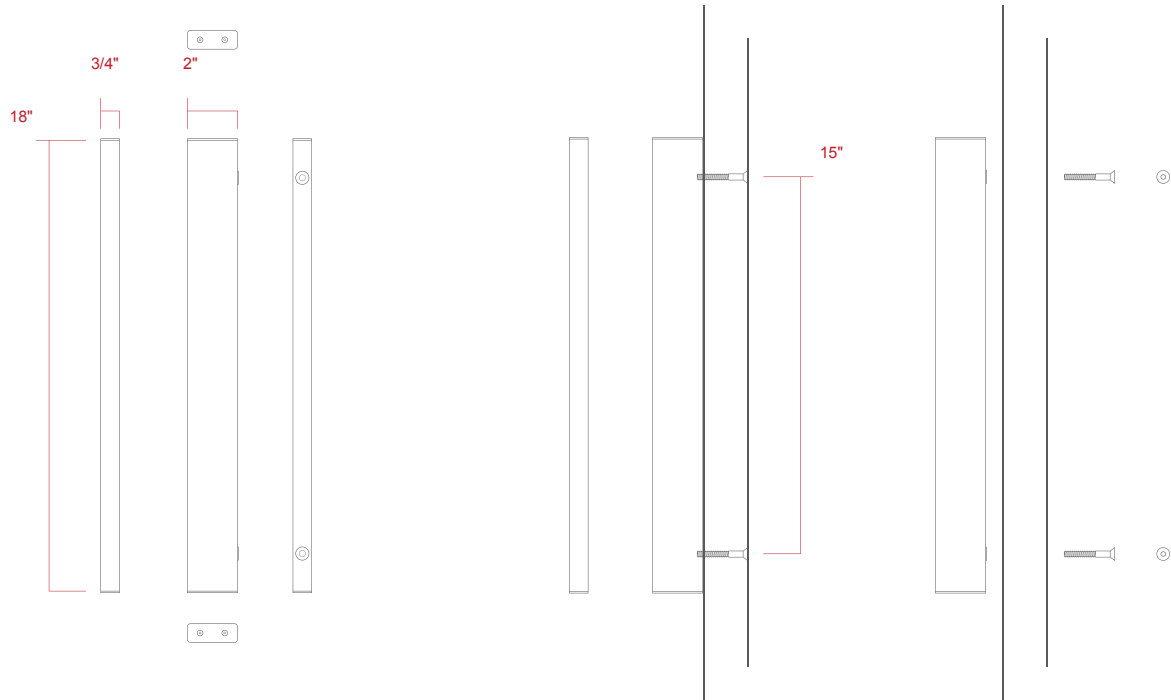


RAIL Pull Technical Drawings

KROWN LAB

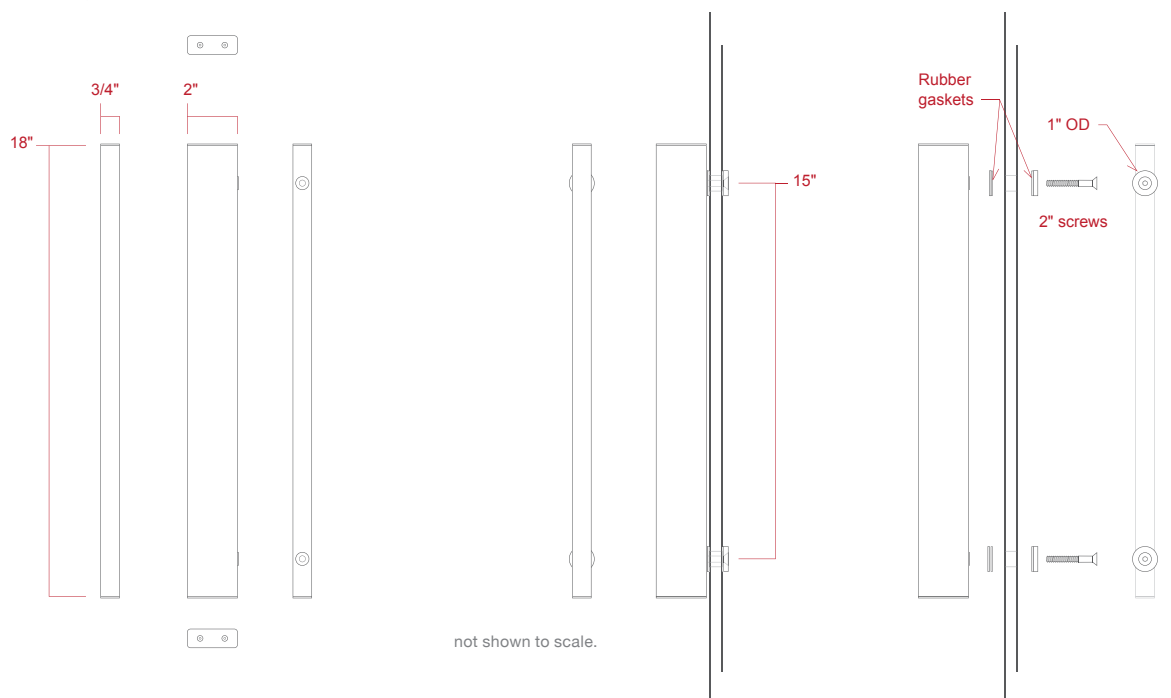
RAIL Pull

Shown on 1-3/4" thick panel.



RAIL Pull Glass

Shown on 1/2" thick glass panel.



Sliding Door Hardware



Track End Cap Product Specifications

KROWN LAB

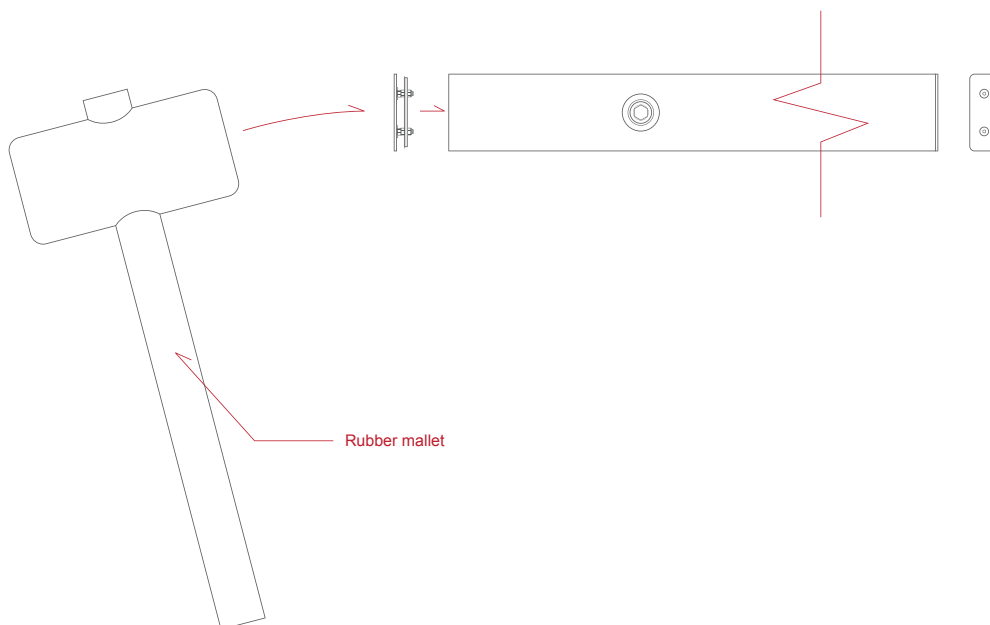


Product Overview

Elegant product solution permanently seals the open ends of the track. Can easily be installed after overall system installation is completed.

Fabricated from high quality stainless steel. Finished with a linear brush texture that matches the finish of the track.

Compatible with all Krown Lab Sliding Door Hardware systems regardless of track length.



Sliding Door Hardware



Track Connector Product Specifications

KROWN LAB

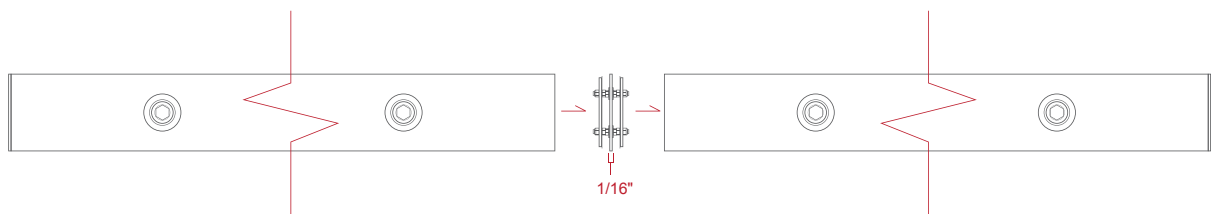


Product Overview

Track connector ensures that multiple tracks line-up correctly.

Fabricated from high quality stainless steel with a semi polished edge finish, creating a complementary contrast to the finish of the track.

Compatible with all Krown Lab Sliding Door Hardware systems regardless of track length.



Sliding Door Hardware



Bottom Guide Track Product Specifications

KROWN LAB



Product Overview

The Bottom Guide Track prevents the panel from swinging out from the door opening, and from rubbing up against the wall or base board. The simple design allows the stainless steel Bottom Guide Track to mount to the bottom of the panel, making it almost completely invisible.

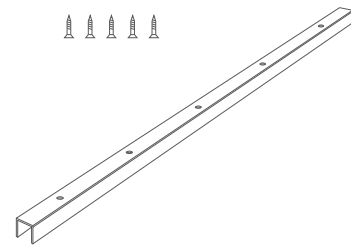
Specifics

Comes in standard sizes for 36" and 48" panels, and can be custom cut to desired length up to 71.5". Works for a wide range of panel material. Not compatible with glass or resin panels.

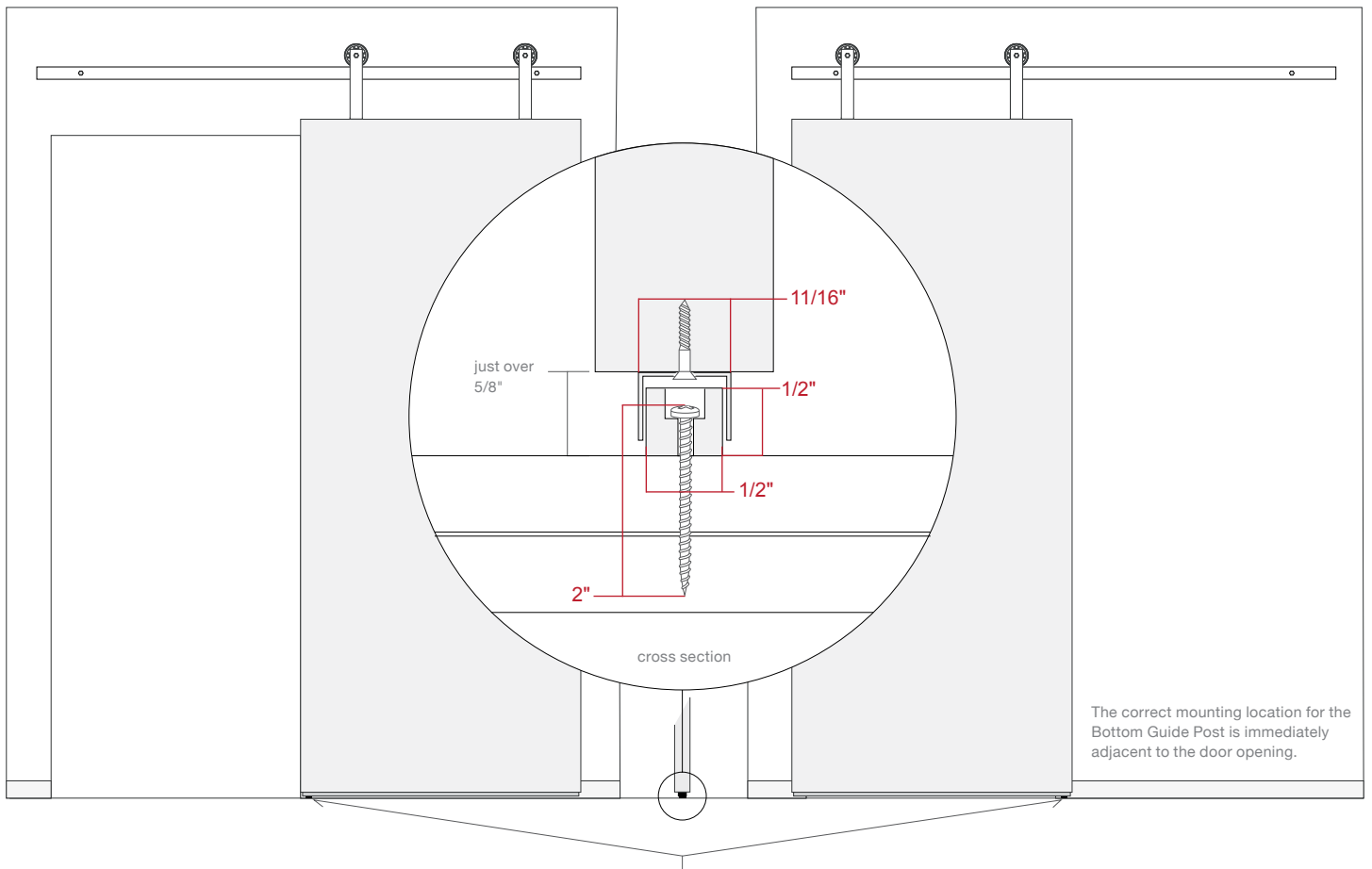
What's Included

- High quality stainless steel Bottom Guide Track.
- 3/8" Phillips head fasteners.*

*Number of fasteners depends on length of bottom guide track.



Bottom guide screw and post:
Included with all sliding door hardware systems.



Bottom Guide Post is properly engaged in both fully open and fully closed position.

Sliding Door Hardware



Drywall Spacer Product Specifications

KROWN LAB

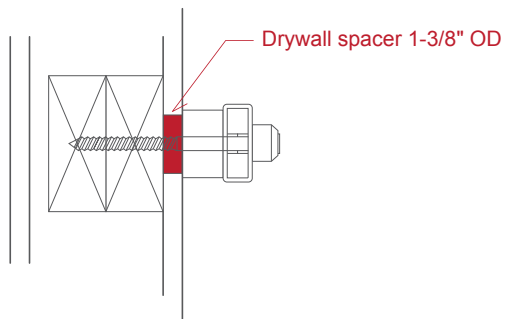


Product Overview

Drywall Spacers are recommended with heavy or multiple door installations where the track is mounted on drywall. The spacers prevent the drywall from compressing under the load, and help to maintain the structural integrity and alignment of the system.

Specifics

Compatible with 1/2" and 5/8" drywall.



Sliding Door Hardware

Structural Information



KROWN LAB

General Overview

All of our sliding door hardware requires that the provided track attachment points are properly engaged in 3" of structural material. The wall or structure that your system will be mounted to must be designed to support the weight specified for the system of your choice.

| System | Weight Limit |
|---------|--------------|
| BALDUR | 300-400 lbs* |
| ODEN | 300-400 lbs* |
| ROB ROY | 150 lbs |

*See Product Specifications for each product.

- Krown Lab products may not work with your existing stud locations.
- Most installations will require that additional structural material be inserted into your wall.
- In new construction, ensure appropriate blocking is added in the correct locations during framing prior to drywall installation.
- In renovations, cut open the drywall in between studs to insert appropriate blocking in the correct locations.
- Height of blocking is driven by the overall height of the door panel.
- Track mounting point location is approximately 2-1/4" above the height of door panel.

Installation

- All installation instructions are Krown Lab's recommendations only. Systems should only be installed considering locally prevailing building code and standards, and be done by qualified building professionals (experienced, competent tradesmen) with a comprehensive understanding of relevant material properties, and full building and site conditions.
- Krown Lab is not responsible for the inferior or incorrect installation performed by others.
- Krown Lab takes no responsibility of installation or performance of door panel, or any other component used in conjunction with our products.
- Krown Lab is not responsible for site conditions, including uneven floors or levels, walls out of square or plumb, for variations of size, design or shape of existing or new drywall (or any other material) openings, or for any other site-specific conditions.
- Krown Lab is not responsible for any violations of building, electric, plumbing, zoning or other municipal or government codes, ordinances or regulations presently existing in the building(s) into which its Systems are to be installed and used.
- Check with your contractor and / or local listings to confirm you are in accordance with local building codes.
- Under no circumstances will Krown Lab be responsible for decisions by trades people or any one else involved in product installation.

Hardware

- The hardware and fasteners included are to be used only in sound, solid blocking and substrate materials as determined by qualified building professionals.
- The substitution of hardware chosen by the buyer instead of the provided hardware voids the product warranty.

Terms & Conditions



KROWN LAB

Buyer's Acceptance of Terms and Conditions

These terms and conditions of sale applies to every contract of Krown Lab Inc. (Krown Lab) for the sale of goods or articles (Products) to any person or entity (Buyer) who sends or otherwise requests Krown Lab or its agent an order to purchase Products from Krown Lab. By placing any order for Products, the Buyer agrees to these Terms and Conditions of Sale. Any other terms or conditions which may at any time be indicated in the Buyer's order form or otherwise, shall be null and void and of no effect, even if not expressly objected to by Krown Lab.

Buyer's Compliance

Buyer is solely responsible for compliance with all applicable federal, state and local laws, ordinances, regulations, rules and standards relating to the installation, maintenance, use and operation of the Products.

Changes and Cancellations

Krown Lab is not obligated to accept any changes or cancellations once the Product has begun being created. Buyer is obligated to accept any Product that has been ordered.

Risk of Loss

The risk of loss for the Products shall pass to the Buyer upon delivery to carrier from Krown Lab premises. Buyer bears the risk of damage during shipment.

Delays

Krown Lab shall not be responsible for delay, non delivery or default in shipment if occasioned by strike, act of Thor, or event beyond the control of Krown Lab.

Product Pick-Up and Acceptance

It is the Buyer's responsibility to coordinate acceptance or pick-up of Product upon attempted delivery. Any costs or expenses incurred by Krown Lab as a result of the Buyer's failure to pick-up/accept the Products will be charged to the Buyer.

Design Ownership

The designs are and will remain the property of Krown Lab. Not under any circumstances does the Buyer have the right to duplicate the Products for any purpose.

Commercial Warranty

Krown Lab warrants the products against defects in workmanship for 10 years after shipment provided that the Product is used under the conditions for which it was designed, and is used for its intended purpose. Normal wear and tear of the Products are excluded from the warranty. Warranty does not cover damages resulting from accidents, misuse, fire, flood, or acts of nature.

Installation

All installation instructions are Krown Lab's recommendations only. Products should only be installed considering locally prevailing building codes and standards, and be done by qualified building professionals [experienced, competent tradesmen] with a comprehensive understanding of relevant material properties, and full building and site conditions. Krown Lab is not responsible for the inferior or incorrect installation performed by others. Krown Lab takes no responsibility of installation or performance of the door panel, or any other component used in conjunction with the track system. Krown Lab is not responsible for site conditions, including uneven floors or levels, walls out of square or plumb, for variations of size, design or shape of existing or new drywall (or any other material) openings, or by any other site-specific situation. Krown Lab is not responsible for any violations of building, electric, plumbing, zoning or other municipal or government codes, ordinances or regulations presently existing in the building(s) into which its Products are to be installed and used.

Hardware

The basic hardware and fasteners included are only to be used only in sound, solid blocking and substrate materials as determined by qualified building professional. Under no circumstances will Krown Lab be responsible for decisions by trades people or any one else involved in product installation.

KROWN LAB MAKES NO OTHER WARRANTY OF MERCHANTABILITY OF PRODUCTS OR OF THEIR FITNESS OR ANY PURPOSE OR ANY OTHER EXPRESS OR IMPLIED WARRANTY. PRODUCTS WHICH DO NOT CONFORM TO THE DESCRIPTION, SHORT IN ANY RESPECT OR WHICH ARE DEFECTIVE IN MATERIAL OR WORKMANSHIP WILL BE REPLACED, REPAIRED OR, AT KROWN LAB'S OPTION, CREDIT FOR THEIR ORIGINAL PURCHASE PRICE WILL BE ALLOWED PROVIDED KROWN LAB IS NOTIFIED OF SUCH DEFECT WITHIN SEVEN (7) DAY AFTER DELIVERY AND BUYER RETURNS SUCH PRODUCTS IN ACCORDANCE WITH KROWN LAB'S INSTRUCTIONS. THE FOREGOING CONSTITUTES BUYER'S SOLE REMEDY AND KROWN LAB'S SOLE OBLIGATION WITH RESPECT TO PRODUCTS FURNISHED HEREUNDER. BUYER HEREBY AGREES TO WAIVE ANY AND ALL RIGHTS OR CLAIMS AGAINST KROWN LAB BY LAW OR EQUITY. KROWN LAB SHALL NOT BE LIABLE FOR DIRECT, INDIRECT, INCIDENTAL, SPECIAL OR CONSEQUENTIAL DAMAGES, UNDER ANY CIRCUMSTANCES, INCLUDING BUT NOT LIMITED TO DAMAGE OR LOSS RESULTING FROM INABILITY TO USE THE PRODUCTS, INCREASED OPERATING COSTS OR LOSS OF PRODUCTION, OR ANY OTHER DAMAGES, WHETHER ARISING FROM CAUSES SIMILAR OR DISSIMILAR TO THOSE ENUMERATED IS NOT WARRANTED BY KROWN LAB.