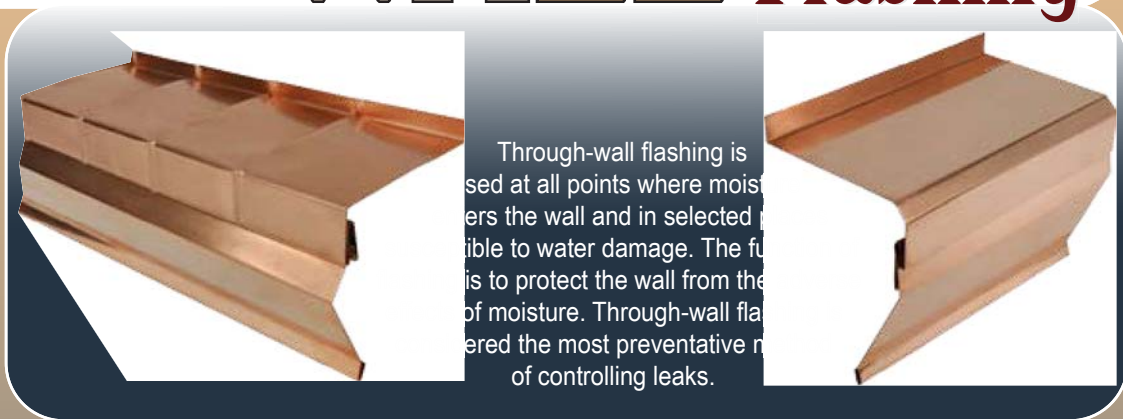


# THROUGH WALL Flashing

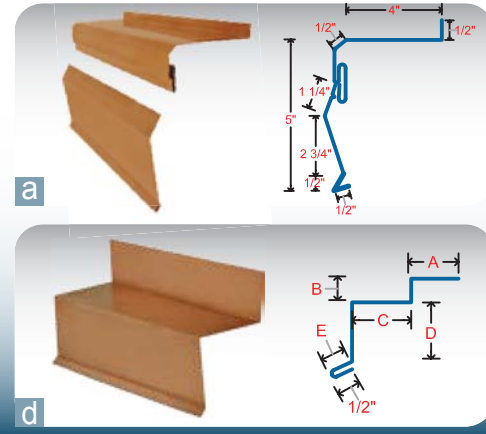


4 Generations of Experience & 100 Years of Excellence

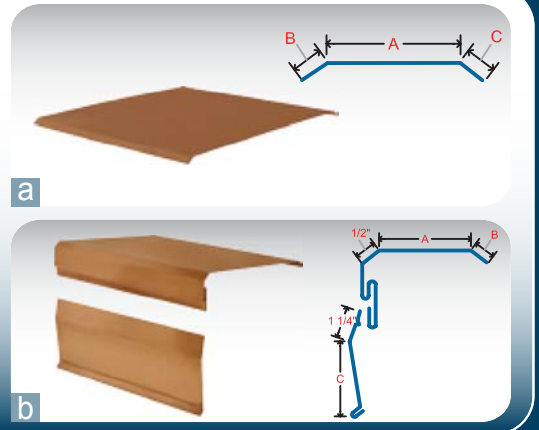
[www.bbsheetmetal.com](http://www.bbsheetmetal.com)

# Through-Wall FLASHING

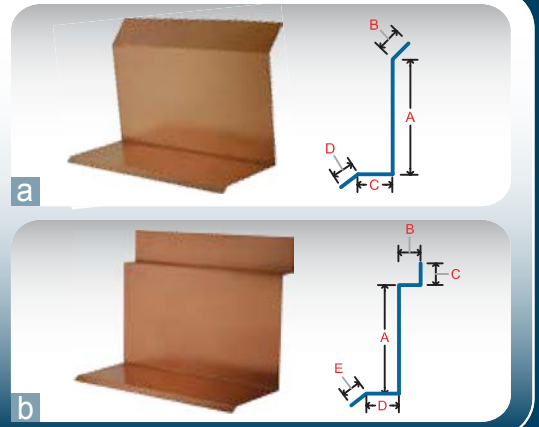
## 1. Roofline



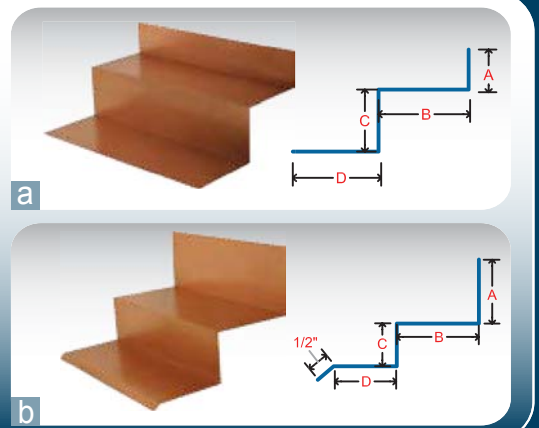
## 2. Coping



## 3. Grade



## 4. Lintel



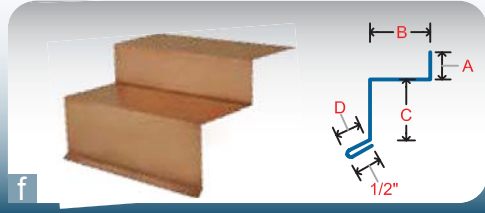
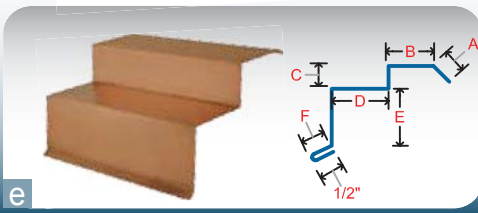
The flashings shown in this diagram are commonly used shapes and sizes. If your project specifications require custom bending please call for an estimate and further inquiries.

**718.433.2501**

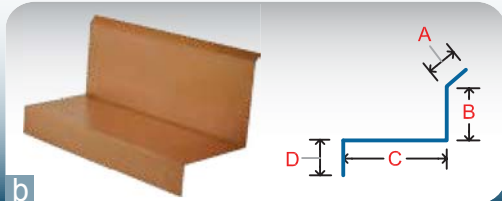
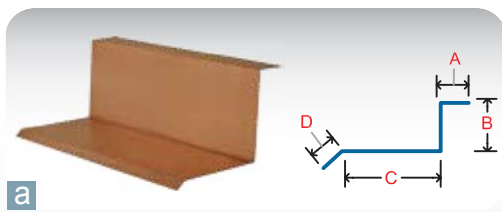
e-mail

**info@bbsheetmetal.com**

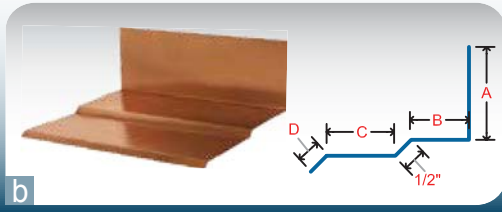
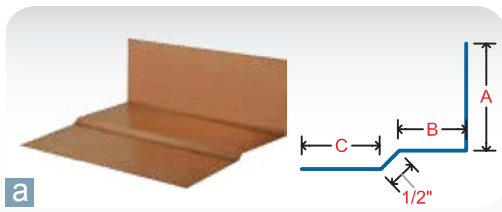
\*Surface mount & reglet are also available in two-part flashing system.



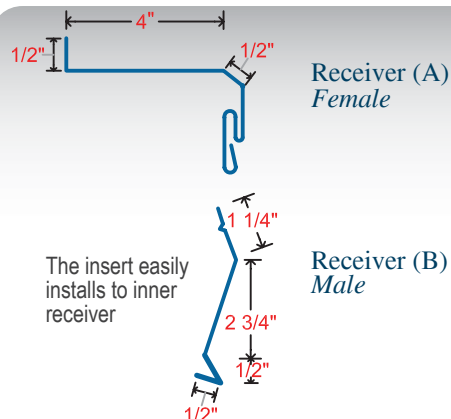
## 5. Sill



## 6. Spandrel



B&B Sheet Metal's unique two part flashing system enables the roofing contractor to install the second part insert into the receiver after the roofing membrane is installed. This procedure ensures that no damage will occur to the flashing.



B&B Sheet Metal specializes in the fabrication of every type of smooth and z-form through-wall flashing.



A flat piece of metal with a smooth finish.



**3-WAY Mechanical Bonding**

Metal with 3/16" high under cut sawtooth ribbed at 3" intervals.

## Material

All flashings can be manufactured in the following materials:

	6061-T6 Aluminum 16 oz, 20 oz
	Galvalume 16 oz, 20 oz
	Steel 26 ga., 24 ga.

All flashing images are shown in smooth form but can also be manufactured in Z-form.



**Job site photos of z-form flashing in various stages of installation:**



3 way bonding copper  
2 pc reciever



3 way bonding  
copper 2 pc reciever  
(alternate view)



Standard stainless steel 3  
way bonding coping with  
1/2" kicks on each end.



Reciever ready for insert  
to be snapped in place.



2 pc lead coated flashing  
w/ reciever and insert.  
Coping shown with custom  
factory formed bend.



**B&B SHEET METAL**  
can custom manufacture flashings  
to meet any of your project specification.

Log onto [bbsheetmetal.com](http://bbsheetmetal.com) for more information on our extensive product line including:

Chimney Caps  
Copings  
Coils  
Cornices  
Cupolas  
Finials  
Flashings  
Flange Tubes

Goose Necks  
Gutters  
*Bmax Gutters*  
*Flange Gutters*  
*Half Round Gutters*  
*Style Gutters*  
*Gutter Accessories*  
Leader/Conductor Heads  
*Downspouts & Straps*

Louvers & Dormers  
Metal Sheets  
Pitch Pockets  
Planters/Shutters  
Ridge Caps  
Roof Edge Systems  
Roof Panels

Roof Vents  
Scrap Metal Fabrication  
Scuppers  
Skylights  
Snowguards  
Tools  
Wall Panels  
Waterjet Cutting

*and more...*