



## Polyethylene Slotted Drain Pipe Specifications

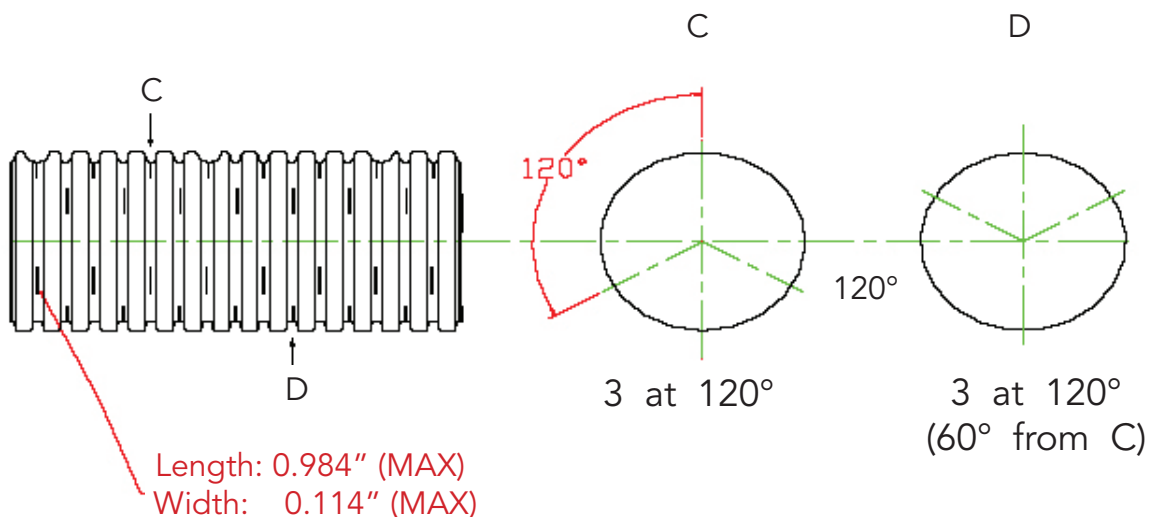
### Applicable Standards:

- ASTM F405, ASTM F667, AASHTO M252, AASHTO M294, SCS Code 606.
- All **EZflow** drain pipe meets ASTM F405 pipe specifications.
- The slot configurations is as shown on the drawing below.

### Physical Properties:

- Color -- Black
- Size -- Nominal 4 inch diameter.
- Materials of Construction -- Polyethylene resins with recycled content.
- Slots punched during extrusion.
- Slot orientation during product installation is "Random". The orientation of the colored trademark line and the location of the slots when installed in the trench are inconsequential. The slots can be located at any position on the 360 degree circle. The figure below is a "frozen snapshot" of the pipe for slot pattern identification. (Added to Spec. 7/14/00.)

Polyethylene Corrugated 4" Single Wall Perforated Pipe



Ring Industrial Group  
65 Industrial Park  
Oakland, TN 38060

PERFORMANCE. DOES IT.®

P: 1-800-649-0253  
F: 1-866-279-9203  
RingIndustrial.com