



Appliances Raising the Bar on Style and Sophistication

Exclusive features to ignite gourmet passions

The Kenmore PRO™ suite of appliances has been created to give your clients the professional, exclusive edge they desire in design, capacity and performance. See for yourself what it takes to be called a PRO.



Power to meet your needs. From the 5,000 BTU simmer burner to the 17,200 BTU power burner, Kenmore PRO cooktops have the power the home gourmet needs for precise cooking temperatures. Five-point gas burners provide more surface coverage and even heat.

Cook what you want, how you want. Kenmore PRO wall ovens offer a large oven capacity, which you would expect for professional-style cooking. Three heavy-duty ladder racks provide chefs with over 13 individual cooking positions for optimum placement and maximum capacity.

Sauté or sear a dinner for two or twenty. The Kenmore PRO bridge burner can be operated like two single burners, or it can work together as one. With versatile heating power from 9,000 BTU up to 27,000 BTU, the home gourmet can now have the flexibility to cook pancakes on a griddle or heat a large roasting pan.



Cool space for every occasion. Kenmore PRO professional size refrigerator/freezer units deliver 33.7 cu. ft. of total storage, up to 40% more than leading professional brands of single stand-alone side-by-side refrigerator/freezer units. The Kenmore PRO 48-inch built-in refrigerator features a versatile Fresh Island Zone™ with independent cool controls that allow you to select from Quick Cool, Soft Freeze, Chill, or Cool. It's like having a fridge-in-a-fridge.

Make clean-up a breeze. Kenmore PRO dishwashers feature SmartWash™ with optical soil sensors, which automatically adjusts wash time, water and energy with each load. TurboZone's™ 24 rotating jets attack baked-on food from every angle, eliminating the need to pre-soak dishes.





Dual-Fuel and Gas Ranges



36-Inch: 22-79627
(Red/Stainless)



30-Inch: 22-79523 (Stainless)

Kenmore PRO™ Dual-Fuel Free-Standing Ranges

36-Inch: 22-79627 (Red/Stainless) – \$6,299.99 MSRP

30-Inch: 22-79523 (Stainless) – \$5,999.99 MSRP

30-Inch: 22-79613 (Stainless) – \$3,999.99 MSRP

Dual-Fuel is the Very Best of Both Cooking Worlds

The choice of the world's finest chefs... dual-fuel advantage offers the control and flexibility of a gas cooktop with the convenience and precision of an electric oven.

- A unique recessed gas-through-glass surface with sealed burners
- 27,000 BTU power bridge burner that provides maximum cooking flexibility for all sizes of cookware
- 17,200 BTU power burner provides more options with multiple burner settings (30-Inch models only)
- 3 five-point burners for more surface coverage and even heat (36-Inch models only)
- 5,000 BTU simmer burner for melting chocolate or heating delicate sauces (30-Inch model only)
- Large 6.4 or 4.2 cu. ft. capacity self-cleaning oven with dual halogen automatic lights
- Variable speed true convection oven that delivers consistent temperatures to cook food evenly and seal in juices
- Auto convection conversion removes guesswork for converting family recipes by automatically calculating cooking temperatures
- The hidden bake element design provides more cooking capacity with easier clean-up
- Three nickel-plated, heavy-duty oven racks with handles and 13 individual cooking positions for optimal placement
- Porcelain-coated enamel matte-finish grates and burner caps are durable and easy to clean because they are dishwasher safe
- Gourmet Accessory Package with food temperature probe, searing grill, roasting rack and cast-iron griddle
- Simmer plate can be used on any burner for ultra-low temperatures for slow steady simmering (36-Inch models only)
- Optional backguards available: 12" high, 9" high, and 0" island installation trim kit



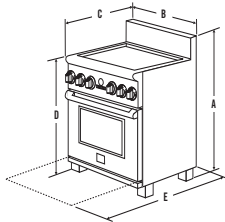
30-Inch: 22-79613 (Stainless)

Kenmore PRO™ All-Gas Free-Standing Range

30-Inch: 22-79613 (Stainless) – \$3,699.99 MSRP

At home in any professionally inspired kitchen... this all-gas range delivers the responsiveness, even heat, and precise temperature control preferred by the true gourmet..

- A unique recessed gas-through-glass surface with sealed burners
- 27,000 BTU power bridge burner
- Two 8,000 BTU and 9,000 BTU five-point burners
- 4.2 cu. ft. oven capacity self-cleaning oven with dual halogen automatic lights
- Auto convection conversion
- The hidden bake element
- Three nickel-plated, heavy-duty oven racks with handles and 13 individual cooking positions for optimal placement
- Gourmet Accessory Package
- Optional backguards available: 0" island installation trim kit



Dim. Inches	A	B	C	D	E
22-79627/3	41 5/8 - 42 5/8	35 7/8	26 3/4	35 3/4 - 36 3/4	47 3/8
22-79523	41 7/8	29 7/8	26 1/2	35 3/4 - 36 3/4	45 1/2
22-79613	41 5/8 - 42 5/8	29 7/8	26 1/2	35 3/4 - 36 3/4	45 1/2

From island trims to spice racks, Kenmore PRO offers 0", 9", 12" and 24" background options for customized looks.



	Island Trim	9" Backguard	12" Backguard	24" Spice Rack
79613 (30" Gas Free-standing Range)	903133-9010			
79523 (30" Dual Free-standing Range)	903115-9010 (2443)	903048-9010 903116 - 9010	903117-9010	903120-9010 (3333)
79623/7 36" Dual Fuel Free-standing Ranges)	903115-9100 (2453)	903048-9100 903116 - 9100	903117-9100	903120-9100 (3343)

Part Number (Register number)

For more information call 1-800-735-6000 or visit Kenmore.com/PRO



Wall Ovens and Warming Drawer



Kenmore PRO™ 30" Double Wall Oven

22-42003 – \$2,899.99 MSRP

High Performance with Stunning Style

- Large 4.2 cu. ft. capacity and eight-pass bake/broil element allows for cooking multiple entrees quickly and evenly
- Variable speed true convection oven delivers consistent temperatures to cook food evenly and seal in juices. The auto convection conversion feature takes the guesswork out of converting recipes
- Ceramic EvenBake element cooks and heats food more gently while using less energy than a conventional oven
- Self-cleaning system with true hidden bake element delivers more baking space and makes clean-up a snap
- Three nickel-plated, heavy duty oven racks with handles and 13 individual cooking positions for optimal placement
- Dual halogen automatic lights
- Temperature probe precisely monitors meats to ensure moist, tender roasts with safe internal temperatures (upper oven)
- Gourmet Accessory Package with roasting rack and searing grill

Kenmore PRO™ 30" Warming Drawer

22-48003 – \$899.99

Serve Warm Meals Every Time

- 1.3 cu. ft. capacity with removable half rack that allows food to be stacked to maximize available drawer space
- 600W element with adjustable hidden temperature controls (160°-210° F)
- Adjustable humidity control for "fresh out of the oven" taste

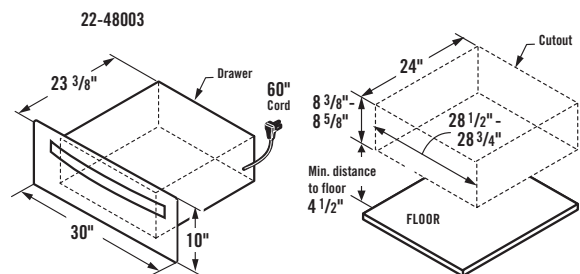
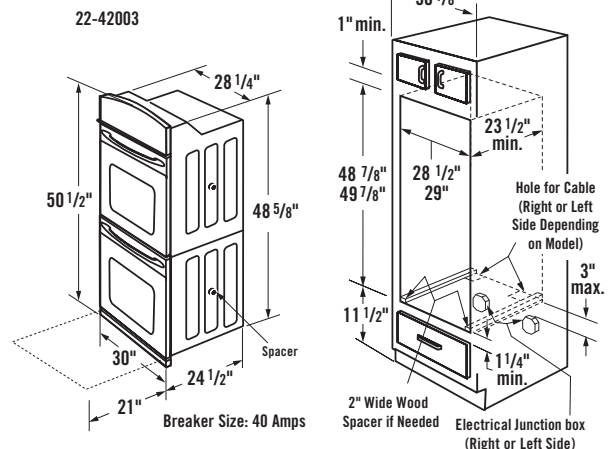
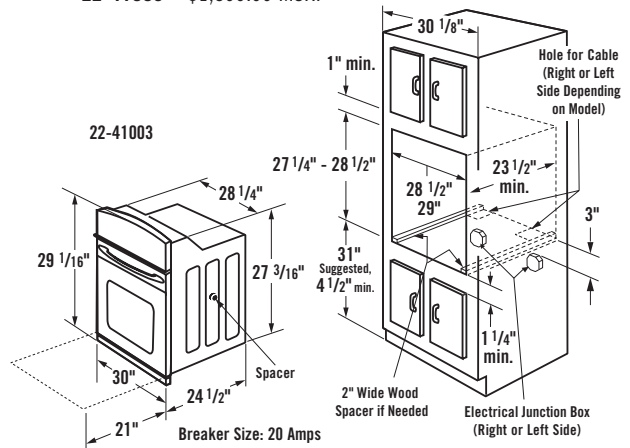


- Drawer removes easy for quick clean-up
- Power on indicator light



Kenmore PRO™ 30" Single Wall Oven

22-41003 – \$1,899.99 MSRP



For more information call 1-800-735-6000 or visit Kenmore.com/PRO



Slide-In and Drop-In Gas Cooktops

11 31 00/KEN
BuyLine 7211



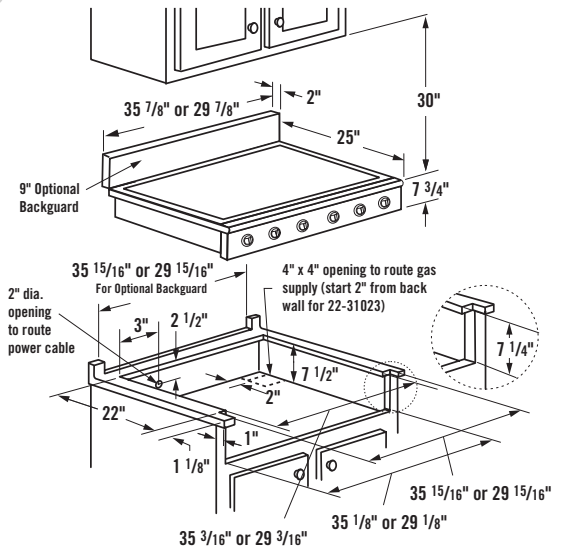
Kenmore PRO™ Gas Slide-In Cooktops

36-Inch: 22-30503 – \$1,899.99 MSRP

30-Inch: 22-31023 – \$1,799.99 MSRP

The Top of Performance and Convenience

- 17,200 BTU high-output power burner is perfect for quickly boiling a large pot of water
- 16,000 BTU Triple Ring Burner delivers a wide range of more even heating options (36-inch model only)
- 27,000 BTU power bridge burner can be operated as two single elements or one larger element (30-Inch model only)
- A unique recessed gas through glass surface with sealed burners is designed to hold spillovers
- Dishwasher-safe porcelain-coated enamel matte-finish grates and burner caps
- Gourmet Accessory Package with cast-iron griddle
- Optional 9" backguard available
- Convertible to LP (kit included)



Kenmore PRO™ Gas Drop-In Cooktops

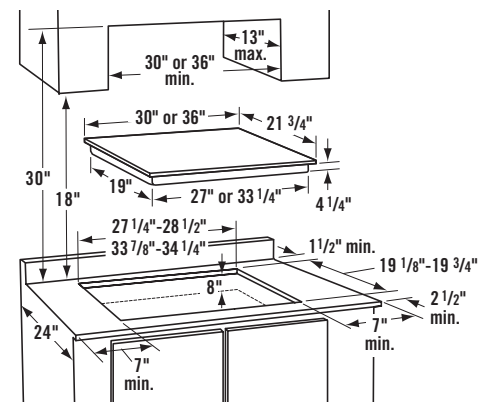
22-31013: 36-inch – \$1,099.99 MSRP

22-31003: 30-inch – \$999.99 MSRP

Cooking to Cleaning... Beautifully Easy

- 21,000 BTU power bridge burner can be operated as two single burners or one larger burner
- 17,200 BTU high-output power burner for quickly boiling a large pot of water

- 5,000 BTU simmer burner for melting chocolate or heating delicate sauces
- Recessed cooktop and sealed burners to contain spills, making clean-up easier
- Dishwasher-safe porcelain-coated enamel matte-finish grates and burner caps
- Gourmet Accessory Package with cast-iron griddle
- Optional 9" backguard available
- Convertible to LP (kit included)



For more information call 1-800-735-6000 or visit Kenmore.com/PRO



Electric and Induction Cooktops and Hoods

Slide-in



Kenmore PRO™ Electric 36-Inch Slide-In Cooktop
22-40503 – \$1,899.99 MSRP

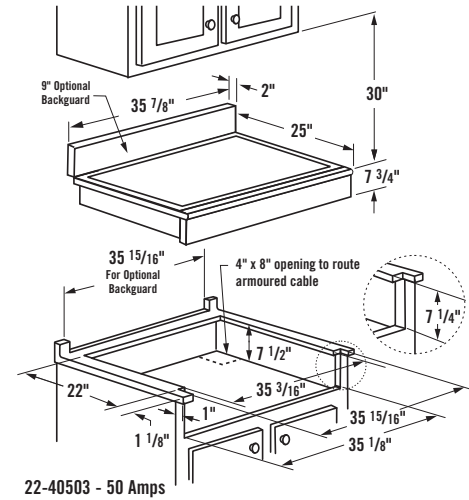
- Two power elements: a 9" 3,000W element for power; and an expandable 12"/9" 3,000/1,800W dual element
- Simmer warming zone for melting chocolate or keeping food warm and ready for serving
- Bridge element (two 7"-1,800W and one 800W) can be operated as two single elements or one larger element
- Durable ceramic glass surface is easy to clean
- Six hot surface indicator lights and two power-on indicator lights
- Gourmet Accessory Package with cast-aluminum griddle
- Optional 9" backguard available



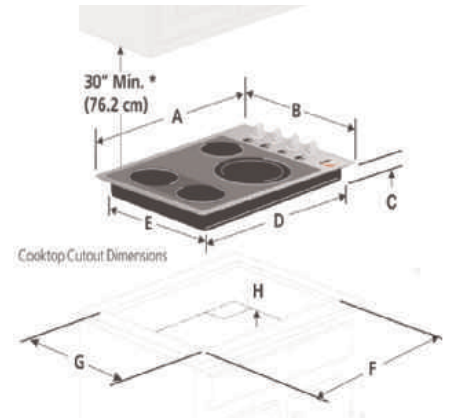
Kenmore PRO™ 36-Inch Induction Slide-In Cooktop
22-43000 – \$2,799.99 MSRP

- Induction elements provide the best combination of energy efficiency and convenience
- One 10"/2,400W with 3,200W power boost, two 8"/2,200W with 3,000W power boost, and two 6"/1,200W with 1,500W power boost element
- Touch control panel has LED display and lockout
- Precision touch controls with 15 touch settings
- Power boost setting
- Pan detection eliminates accidental turn-on
- Automatic pan size detection
- Keep warm setting
- Auto cooktop shutoff (18 hours)
- Control lockout
- 10-inch non-stick stainless steel skillet included
- Optional 9" backguard available

Slide-In Dimensions



Drop-In Dimensions



Model	A	B	C	D	E
22-40553	30 3/4	21 1/2	5	29	19 1/2
22-40563	36 1/2	21 1/2	5	34 5/8	19 1/2
Model	F		G		H
	Minimum	Maximum	Minimum	Maximum	Cooktop
22-40553	29 3/4	30 1/8	20 3/8	20 3/4	6
22-40563	35 1/2	35 7/8	20 3/8	20 3/4	6

Drop-in



Kenmore PRO™ Electric 30/36-Inch Drop-In Cooktops

22-40553 30-Inch – \$1,299.99 MSRP
22-40563 36-Inch – \$1,499.99 MSRP

- Two 7"/1,800W element with the connecting 800W bridge
- One Power Dual Element with 12"/9", 3000/1,800W element
- One 30-Inch and two 36-Inch 6"/1,200W element
- High-quality commercial grade stainless steel exterior
- Precision Touch™ Controls with 25 touch settings



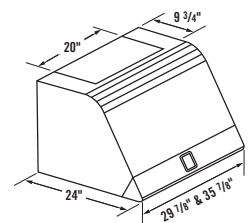
22-51003, 30-Inch – \$1,299.99 MSRP
22-51063, 36-Inch – \$1,429.99 MSRP

Professional Power

Delivers performance in a style to match the Kenmore PRO™ Appliance Suite—

Wall-Mounted Chimney Hood Shell

- Three high-performance blower options available –
Interior: 22-51200 – 1,200 CFM, Ducting 4 1/2" x 18 1/2"
22-51600 – 600 CFM, Ducting 7" round
Exterior: 22-57745 – 1,200 CFM, Ducting 10" round (rough in kit 22-58140 required)
- Multi-speed control with LED indicators
- Professional stainless steel baffle grease filters
- Brilliant halogen lights with three intensity levels illuminate the entire cooking surface



Decorative Flue Cover

22-51012 - 12" High
22-51024 - 24" High
22-51036 - 36" High



Shown with optional trim kit



46-44823 Refrigerator – \$1,699.99 MSRP
46-44833 Freezer – \$1,699.99 MSRP

Professional trim kit option provides a built-in, professionally finished appearance:

Double Trim Kit: 46-4473 – \$599.99 MSRP
Single Trim Kit: 46-4471 – \$499.99 MSRP

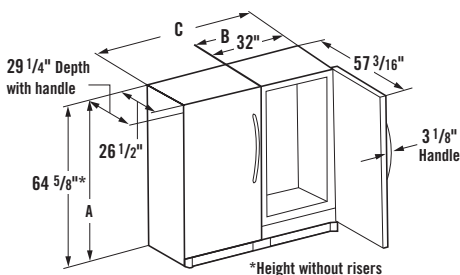
Space for Every Occasion

Large 33.7 cu. ft. of storage capacity to store all your fresh and frozen gourmet ingredients or party platters. Up to 40% more space than leading professional brands of single stand-alone side-by-side refrigerator/freezer units.

- Dual refrigeration system, one for the freezer and one for the refrigerator— each with its own evaporator and compressor. This increases cooling efficiency and prevents odors from transferring between the refrigerator and freezer sections
- PureSource 2[®] ice filtration system effectively filters out contaminants for clean, better tasting ice
- Fresh'n Clean™ air filtration system keeps the interior of the refrigerator and freezer smelling fresh while minimizing odors
- Innovative food organization system includes full-extension freezer drawers, robust sliding shelves, tilt-out freezer bins and full-depth shelves offering easier access to food
- Dual split, fully-extendable humidity crispers assure fresh taste of foods that require storage at different humidity levels
- Gourmet pantry with wood wine rack allows meats, fruits, cheeses and even fine wine to be organized and stored separately according to your culinary needs
- Transition lighting gradually illuminates the interior with soft, ample light
- Both the professional size refrigerator and freezer can be purchased individually or as a pair



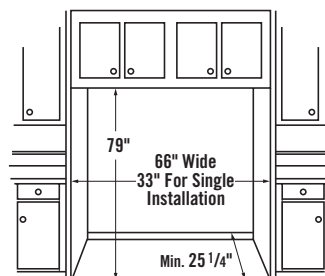
Shown with optional trim kit



A – 68 3/4" Height with risers
B – 3/8" Gap between units
C – 64 3/8" Width double units

Note: Plugs into standard wall outlet

Rough Opening For Double Trim Kit (46-4473) & Single Trim Kit (46-4471)





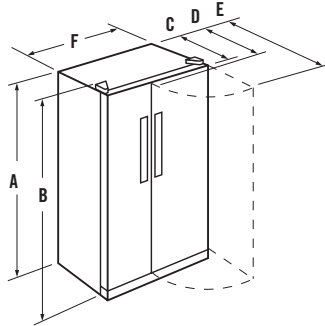
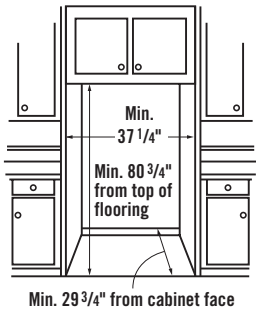
Side-By-Side Refrigeration and Dishwasher



46-44333 Counter Depth (Shown with Optional Trim Kit 46-4480 – \$299.99 MSRP)

46-55333 Standard Depth

Rough Opening For Trim Kit (46-4480)



Dim. Inches	Height		Depth			Width	Clearances	
	A	B	C	D	E	F	Door Edge	Handle
46-44333	68 3/16	69 5/16	26 7/8	29 3/8	48	35 5/8	3/8	3
46-55333	68 1/8	69 5/16	31 3/4	33 3/4	50	35 5/8	3/8	3

46-44333 Counter Depth – \$2,999.99 MSRP
46-55333 Standard Depth – \$2,699.99 MSRP

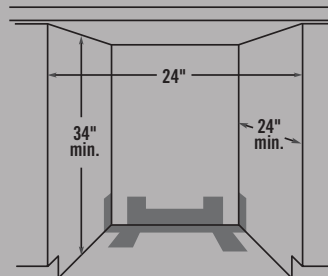
Convenience and Looks in Grand Style

- Innovative food organization system includes full-extension freezer drawers and full-depth shelves offering easier access to food
- SmartFit™ shelf adjusts to fit taller items
- Dual split, fully-extendable humidity crispers offer four humidity control zones
- PureSource 2® ice and water filtration system effectively filters out contaminants for clean, better tasting ice and water
- Fresh'n Clean™ fan-forced air filtration system keeps the interior of the refrigerator and freezer smelling fresh while minimizing odors
- Temperature-controlled gourmet pantry with wood wine rack allows the temperature to be adjusted separately
- Variable speed compressor system maintains a consistent temperature in the refrigerator and freezer
- Polar Freeze™ system quickly raises or lowers the temperature for added flexibility
- Rapid Ice™ option can produce up to eight pounds of ice in 24 hours
- Transition lighting gradually illuminates the interior with soft, ample light

22-13873 24" Dishwasher – \$1,399.99 MSRP

Makes Clean-up A Breeze

- Stainless steel Giant Tub™ holds items up to 13" tall in lower rack, 11" tall in upper rack
- TurboZone™ with 24 rotating spray jets blasts water into every square inch of dishes placed in the wash area, providing cleaning coverage even into the hardest-to-clean corners of the dirtiest casseroles and bowls
- SmartWash® with Optical Soil Sensor uses an advanced detection system to calculate the correct amount of water, time and energy needed to clean every load
- QuietGuard™ ultra sound insulation package
- Premium Nylon Rack System features smooth glide rails, fully adjustable and removable rack inserts and deluxe adjusters on the upper rack for the ultimate in flexibility and convenience



For more information call 1-800-735-6000 or visit Kenmore.com/PRO