

# Installation Instructions

## Slide In Gas Cooktop



# 2 Safety

---


## IMPORTANT SAFETY INSTRUCTIONS

---

### Safety Precautions

Do not attempt to install or operate your unit until you have read the safety precautions in this manual. Safety items throughout this manual are labeled with a Warning or Caution based on the risk type.

### Definitions

 This is the safety alert symbol. It is used to alert you to potential personal injury hazards. Obey all safety messages that follow this symbol to avoid possible injury or death.

#### **WARNING**

**WARNING** indicates a potentially hazardous situation which, if not avoided, could result in death or serious injury.

#### **CAUTION**

**CAUTION** indicates a potentially hazardous situation which, if not avoided, may result in minor or moderate injury.

#### **CAUTION**

**CAUTION** used without the safety alert symbol indicates a potentially hazardous situation which, if not avoided, may result in property damage.

#### **IMPORTANT**

Indicates installation, operation or maintenance information which is important but not hazard related.

---

## SAFETY PRECAUTIONS

---

### **WARNING**

- Read all instructions before using the appliance.
- Improper installation, adjustment, alteration, service, or maintenance can cause personal injury or property damage. Refer to these instructions and the accompanying Use & Care Manual. For assistance or additional information, consult a qualified installer, service agency, manufacturer (dealer), or the gas supplier.
- For your safety:
  - Do not obstruct the flow of combustion and ventilation air to the unit.
  - Keep appliance area clear and free from combustible material, gasoline and other flammable vapors and liquids.
  - Do not use or attempt to use this appliance in the event of a power failure.
- This unit is designed as a cooking appliance. Never use it for warming or heating a room.
- This appliance must be installed with the gas pressure regulator supplied with it.
- Disconnect the electrical supply before installing or servicing the appliance.
- This appliance must be grounded. Connect only to a properly grounded electrical supply. Refer to “Electrical Requirements”.
- Install or locate this appliance only in accordance with these installation instructions.
- Use this appliance only for its intended use as described in this manual. Do not use corrosive chemicals or vapors in this appliance. This type of appliance is not designed for industrial or laboratory use.
- As with any appliance, close supervision is necessary when used by children.
- Do not operate this appliance if it has a damaged electrical cord, plug, conduit or wires, if it is not working properly, or if it has been damaged or dropped.
- This appliance should be installed and serviced only by qualified service personnel.
- Some products, such as whole eggs, and sealed containers, such as closed glass jars, may explode and should not be heated on this cooktop.

# 4 Safety

---

## **WARNING**

---

- Based on safety considerations, the top burner flame should be adjusted so it does not extend beyond the edge of the cooking utensil.
  - If the information in this manual is not followed exactly, a fire or explosion may result causing property damage, personal injury, or death.
  - What to do if you smell gas:
    - Do not try to light any appliance.
    - Do not touch any electrical switch, do not use any phone in your building.
    - Immediately call the gas supplier from a neighbor's phone.
    - Follow the gas supplier's instructions.
    - If you cannot reach your gas supplier, call the fire department.
  - For your safety:
    - Do not store or use gasoline or other flammable vapors and liquids in the vicinity of this or any other appliance.
  - Installation of this appliance must be performed by a qualified installer, service agency or the gas supplier. Contact the nearest Electrolux Authorized Servicer, call 1-877-435-3287, or contact us on the internet at [www.electroluxusa.com](http://www.electroluxusa.com).
-

## READ AND SAVE THESE INSTRUCTIONS

---

### NOTE

**Installer:** Leave instructions with owner.

**Owner:** Read your cooktop Use & Care Manual. It contains important safety information for operating this appliance. It also has many suggestions for getting the best results from your cooktop.

Attach your sales receipt to this page for future reference.

Read all instructions before installing the cooktop.

For your safety, please read and observe all safety instructions. This guide will help you anticipate all installation connections.

## QUESTIONS?

---

For toll-free telephone support in the U.S. and Canada:  
**1-877- 4ELECTROLUX (1-877-435-3287)**

For online support and Internet product information:  
**[www.electroluxusa.com](http://www.electroluxusa.com)**

# 6 Finding Information

---

## TABLE OF CONTENTS

---

<b>Safety</b> .....	<b>2</b>
Definitions .....	2
Important Safety Instructions .....	2
Safety Precautions .....	3
<b>Finding Information</b> .....	<b>5</b>
Please Read And Save This Guide .....	5
Questions? .....	5
Table Of Contents .....	6
<b>Preparing for Installation</b> .....	<b>7</b>
Verifying Package Contents .....	7
Cabinet/Counterop Preparation .....	7
<b>Making the Gas/Electric Connection</b> .....	<b>11</b>
Requirements .....	11
L.P. Gas Conversion .....	12
<b>Installation</b> .....	<b>14</b>
Installing the Cooktop .....	14
Connecting the Gas .....	14
Gas and Electric Requirements Table .....	15
Installing the Burner Components .....	16
Making the Electrical Connection .....	17
<b>Operation</b> .....	<b>18</b>
Verifying the Operation .....	18

---

## VERIFY PACKAGE CONTENTS

- Literature Pack
- Bolts/Washers
- Burner Grate Pack
- Burner Set
- Gas Pressure Regulator
- Burner Cap Pack
- Griddle
- Simmer Plate
- Wok Stand
- Stainless Steel Cleaner
- LP Conversion Kit

## CABINET/COUNTERTOP PREPARATION

The installation of this built-in appliance must be completed by a qualified appliance technician or contractor. Proper installation is the owner's responsibility.

Carefully check the location where the cooktop is to be installed. The cooktop should be placed for convenient access, but away from drafts that may be caused by open doors and windows or by HVAC duct outlets. Make certain that gas and electrical power can be provided in the selected locations. Plan the installation so that all minimum clearances are met or exceeded. Dimensions shown provide minimum clearances, unless otherwise noted.

### **WARNING**

- To reduce the risk of personal injury caused by reaching over a hot appliance, cabinet storage space located directly above the cooktop should be avoided.
- Keep appliance area clear and free from combustible materials, gasoline and other flammable vapors and liquids.
- Failure to provide proper clearances may result in a fire hazard!
- Do not store combustible materials or items adversely affected by heat immediately above or below the cooktop.
- The back edge of the cooktop must remain a minimum of 2 1/2" (64mm) from any combustible backsplash material. This will require special cabinet and countertop dimensions. Installations with less than 2 1/2" from the rear of the cooktop to a combustible backsplash must use Electrolux Backsplash models ACCBG096S1 (for E36GC76EPS) or ACCBG0948S1 (for E48GC76EPS).

# 8 Preparing for Installation

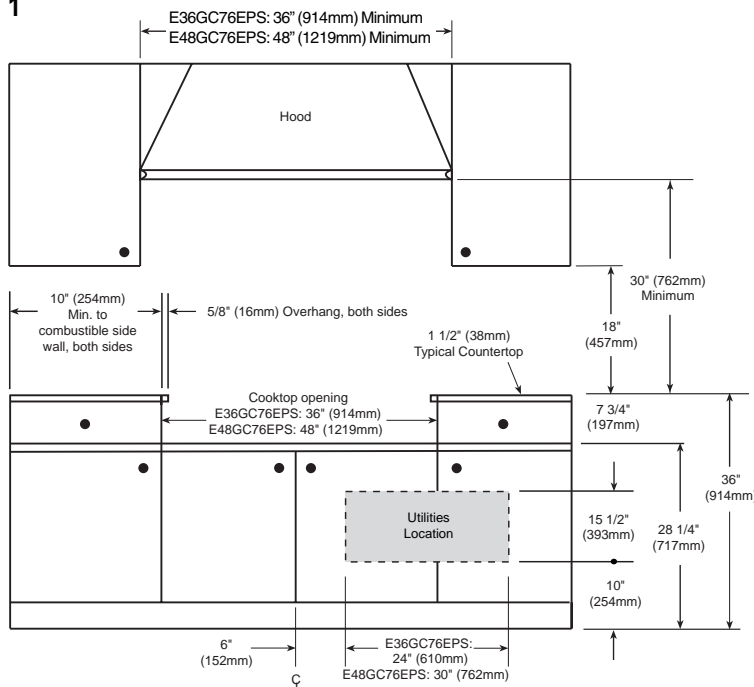
## IMPORTANT

- When installing the cooktop into a laminated (Formica, etc.) or synthetic (Corian, etc.) countertop, radius the corners of the cutout to prevent cracking of the countertop.
- Follow the countertop manufacturer's instructions regarding the minimum corner radius, use of heat reflective tape, reinforcement of corners, etc.
- If cabinet storage space is to be provided directly above the cooktop, the risk of personal injury may be reduced by installing a ventilating hood that projects horizontally a minimum of 5 inches beyond the face of the cabinets.
- Both models are designed to allow installation in standard 24 inch deep base cabinets with 25 inch overall depth countertops. Deeper cabinets and countertops may be used to provide required clearances to combustible rear wall materials or for design purposes.
- The specified cabinet dimensions must be provided. The cabinet and/or countertop must completely enclose the recessed portion of the countertop. All contact surfaces between the appliance and the countertop must be solid and level.

Plan the installation so that the electrical connection, gas shut-off valve, and pressure regulator are accessible from the front of the cabinet and so that all of the minimum required

dimensions are provided. Dimensions apply to both models unless otherwise stated (see Figure 1). Locate the electrical supply box within reach of the included 48 inch long flexible cord so the connection is accessible when the cooktop is in place.

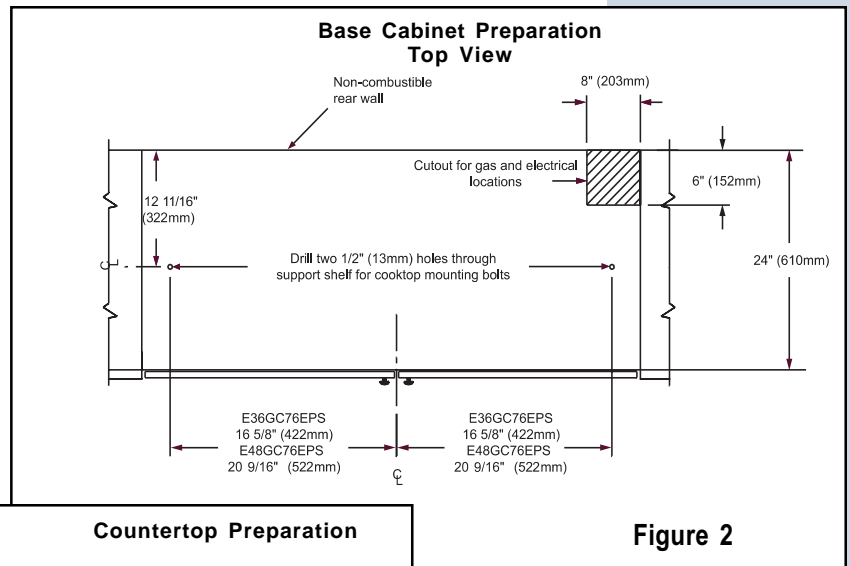
Figure 1



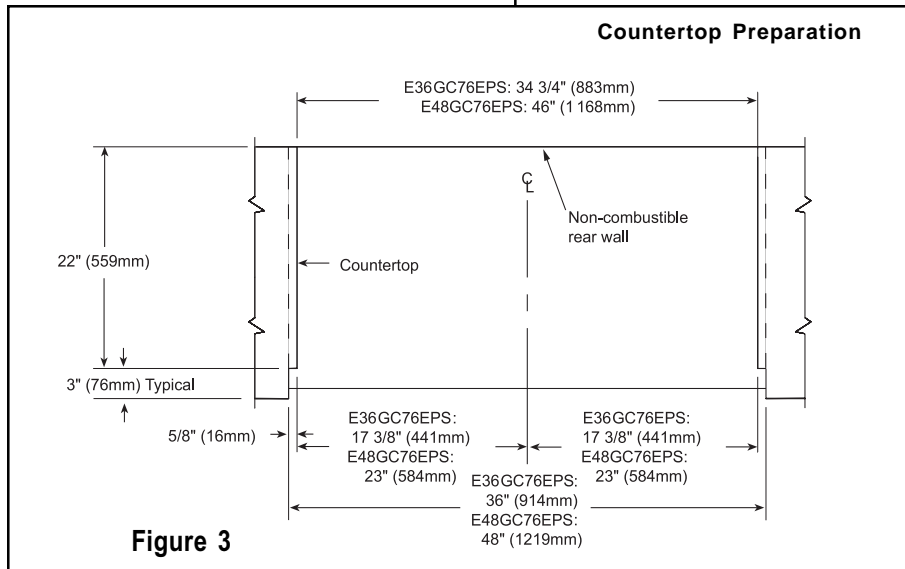


# Preparing for Installation 9

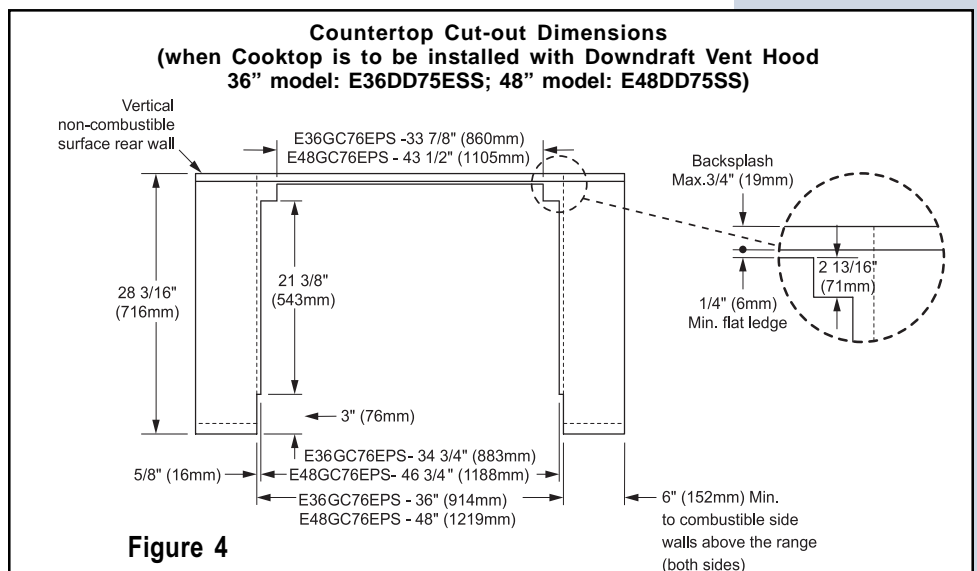
Provide an opening in the countertop as shown (see Figures 2, 3, 4, 5 and 6). Position the cutout so that minimum clearances are met.



**Figure 2**

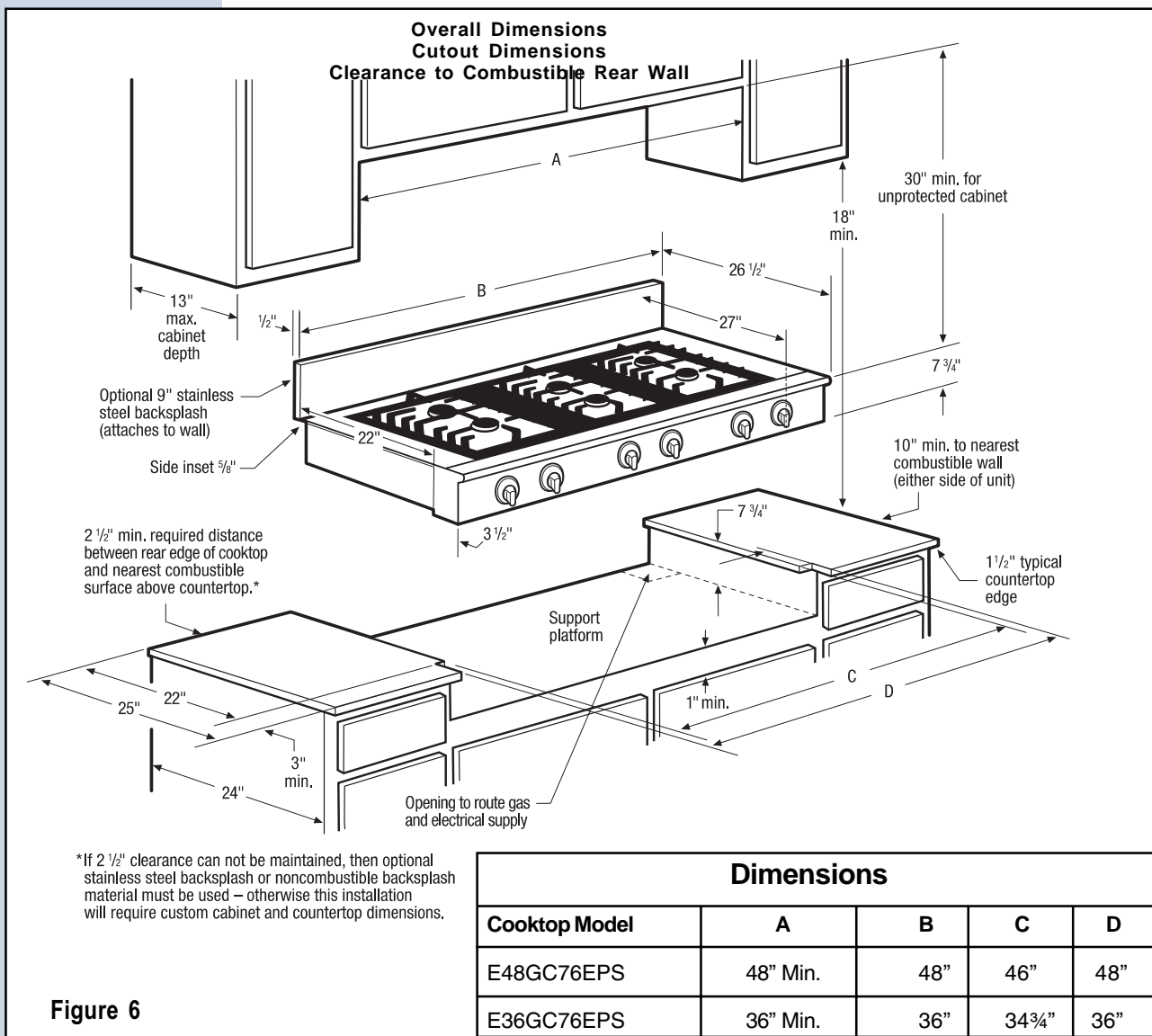
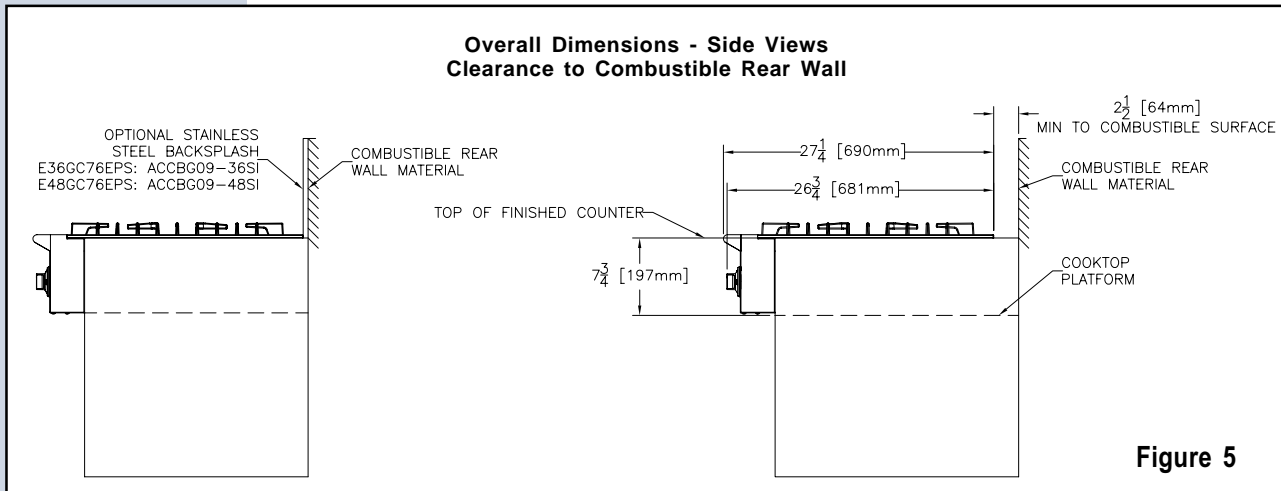


**Figure 3**



**Figure 4**

# 10 Preparing for Installation



## REQUIREMENTS

---

### **WARNING**

- If the gas or electric service provided does not meet the product specifications, do not proceed with the installation. Call the selling dealer, the gas supplier, or a licensed electrical or plumbing contractor.
- The grounding plug must not, under any circumstances, be cut or removed.
- This appliance must be installed by a licensed plumber or gas fitter when installed within the Commonwealth of Massachusetts.

### Gas Supply Requirements

Check your local building codes for the proper method of installation. In the absence of local codes, this appliance should be installed in accordance with the National Fuel Gas Code ANSI Z223.1/NFPA 54. Be certain that the appliance being installed is correct for the gas service being provided. Refer to the data plate located on the bottom of the cooktop chassis.

# 12 Making the Gas/Electric Connection

---

## LIQUIFIED PETROLEUM (PROPANE) GAS CONVERSION

---

This appliance can be used with Natural Gas and Propane Gas. It is shipped from the factory for use with natural gas.

A kit for converting to LP gas is supplied with your cooktop. The kit is marked “FOR LP/PROPANE GAS CONVERSION”. Follow the installation instructions which are inside the envelope.

**The conversion must be performed by a qualified service technician in accordance with the kit instructions and all local codes and requirements. Failure to follow instructions could result in serious injury or property damage. The qualified agency performing this work assumes responsibility for the conversion.**

### **WARNING**

Severe shock, or damage to the cooktop may occur if the cooktop is not installed by a qualified installer or electrician.

### **CAUTION**

Any additions, changes or conversions required in order for this appliance to satisfactorily meet the application needs must be made by a qualified service technician in accordance with the manufacturer’s instructions and all codes and requirements of the authority having jurisdiction. Failure to follow the instructions could result in serious injury or property damage. The qualified agency performing this work assumes responsibility for the conversion.

---

## Electrical Supply Requirements

The correct voltage, frequency and amperage must be supplied to the appliance from an isolated, grounded circuit which is protected by a properly sized circuit breaker or time-delay fuse.

The cooktop must be connected to the power supply with copper wire only. The use of aluminum wire may result in unsatisfactory connections. Flexible armored or nonmetallic, sheathed copper cable (with a grounding wire) should be used to supply electrical power to the junction box or receptacle.

The cooktop's factory-equipped, three-prong grounding plug must be inserted into a mating grounding-type receptacle in accordance with National Electric Code and applicable state, municipal and local codes.

Be certain to locate the junction box or electrical outlet so the electrical supply may be easily disconnected in the event that service becomes necessary. Also, provide extra slack in the cable to allow the cooktop to be removed for servicing.

### IMPORTANT

- If the electrical supply circuit does not have a grounding-type receptacle, it is the responsibility of the customer to have the existing receptacle changed by an electrician to a properly grounded receptacle.
- The power supply must be properly polarized. Reverse polarity will result in continuous sparking of the electrodes, even after flame ignition. If the power supply is not properly polarized, it is the responsibility of the customer to have the polarity corrected.
- If there is any doubt as to whether the wall receptacle is properly grounded or polarized, have it checked by a qualified electrician prior to installing the cooktop.
- Do not plug the cooktop into Ground Fault Circuit Interrupter (GFCI) receptacles. The cooktop spark ignition module can cause a GFCI to trip.

### NOTE

It is the owner's responsibility to ensure that the electrical connection for this appliance is performed by a qualified technician. The electrical installation, including minimum supply wire size and grounding, must be in accordance with National Electric Code ANSI/NFPA 70-1993 (or the latest revision) and local codes and ordinances.

# 14 Installation

## INSTALLING THE COOKTOP

Place and center the cooktop within the cutout. Secure the cooktop to the countertop utilizing the two (2) 1/4-20 bolts provided. Do not overtighten the screws.

### IMPORTANT

Do not use a hardening compound or caulking to permanently seal the cooktop into place, as the unit must be readily removable for service. If such a hardening compound is used, removal of the unit will be at the customer's expense.

## CONNECTING THE GAS

### WARNING

- The maximum gas supply pressure to the regulator must not exceed 1/2 pound per square inch.
- Verify that the proper gas supply has been provided.
- Do not apply excessive pressure when tightening connections and fittings.
- Do not use plumber's putty or Teflon tape on gas compression connections. It can defeat the proper sealing of these fittings. Use plumber's putty or Teflon tape only on pipe thread fittings.
- Turn all cooktop control valves to the "OFF" position, then turn on the gas supply. Check all supply lines and connections for leaks using a soap and water solution. Do not use a flame to check for leaks. After verifying that there are no gas leaks, turn off the gas supply to the cooktop by turning the gas shut-off valve to the off position. Leak testing of the appliance shall be conducted according to the manufacturer's instructions.
- For LP gas installations, the LP gas tank must have its own high-pressure regulator. This is in addition to the pressure regulator supplied with the cooktop.

Attach the gas pressure regulator (included with the cooktop) to cooktop pipe nipple inlet.

Install a gas shut-off valve (not included with the cooktop) in the main gas supply line in an accessible location near the cooktop. Complete connection of the gas supply to the cooktop by installing 1/2 inch flexible gas line (not included with the cooktop) between the pressure regulator and the shut-off valve.

### IMPORTANT

To prevent damage to the gas pressure regulator, install the regulator only after the cooktop is mounted in its permanent position. Ensure that the arrow on the regulator points in the direction of the gas flow towards the cooktop.

## GAS AND ELECTRIC REQUIREMENTS TABLE

The required voltage, frequency and amperage ratings are listed on the product data plate outside on the cooktop bottom. The gas and electric requirements are also shown in the table below.

Model No.	Electrical circuit required	Total connected load	Gas type	Manifold pressure	Minimum gas supply pressure
E36GC76EPS	120VAC, 60Hz, 15A	0.7 Amps (0.084 Kw)	Natural	4" Water Column	5" Water Column
			Liquid Propane	10" Water Column	11" Water Column
E48GC76EPS			Natural	4" Water Column	5" Water Column
			Liquid Propane	10" Water Column	11" Water Column

# 16 Installation

## INSTALLING THE BURNER COMPONENTS

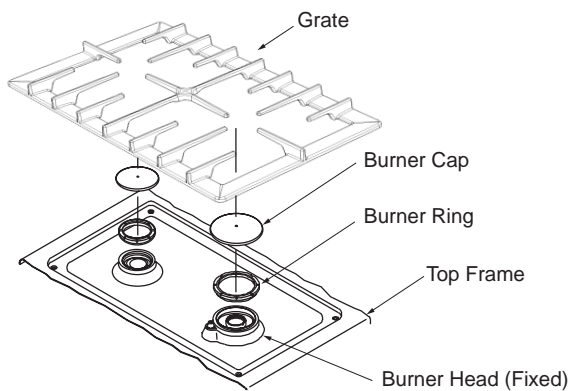
### **WARNING**

Never attempt to operate the cooktop with any of the burner rings, burner caps or burner grate components removed.

### Burner Components

Remove the brass burner rings, porcelain burner caps, and porcelain grates from their shipping packages. Place each burner ring onto its corresponding burner base, being certain that the four alignment tabs slide into the matching notches in the base. Set each porcelain burner cap on top of its corresponding burner ring. Place each grate onto the cooktop, being certain that the rubber feet are positioned in the locating dimples.

Figure 7



Burner Components



## MAKING THE ELECTRICAL CONNECTION

---

### **WARNING**

- Ensure that the power supply is disconnected before proceeding.
- Verify that the power supply matches the ratings found on the appliance data plate before proceeding.
- The complete appliance must be properly grounded at all times when electrical power is applied.
- Do not ground the appliance with the neutral (white) house supply wire. A separate ground wire must be utilized.
- If aluminum house supply wiring is utilized, splice the appliance copper wires to the aluminum house wiring using special connectors designed and agency-certified for joining copper and aluminum.
- Follow the connector manufacturer's recommended procedure carefully. Improper connection can result in a fire hazard!
- Do not attempt to use this appliance in the event of a power failure.
- Do not use an extension cord with this appliance.
- Do not install a fuse in the neutral or ground circuit.
- Do not ground this appliance to a gas supply pipe or hot water pipe.

Plug the three-prong plug from the appliance into the properly grounded and polarized wall receptacle.

# 18 Operation

## VERIFYING THE OPERATION

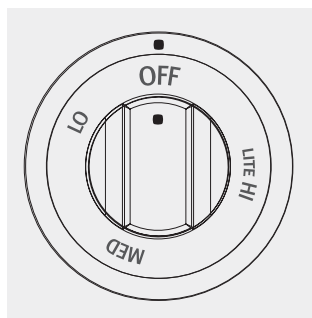
### **WARNING**

- If the cooktop fails to operate properly, ensure that the electrical power supply and gas supply are turned on and that all installation steps have been carefully followed. Call a qualified service technician if the cooktop still does not operate properly.
- The cooktop and shut-off valve must be disconnected from the gas supply piping during any pressure testing exceeding 1/2 pound per square inch (3.5 kPA).
- The cooktop must be isolated from the gas supply piping by closing the shut-off valve during any pressure testing at or below 1/2 pound per square inch (3.5 kPA).

Before beginning the test procedure, ensure that the gas supply is turned off at the shut-off valve, all cooktop control valves are in the “OFF” position, and all burner rings, burner caps, and grates are properly positioned on the cooktop.

Rotate one knob at a time counterclockwise to the “LITE/HI” position. Verify that all igniters spark continuously, then return the knob to the “OFF” position. Repeat for all knobs. See **Figure 8**.

**Figure 8**



*Burner Control Valve*

Turn on the main gas supply to the cooktop by opening the gas shut-off valve. Test each burner separately by pressing and turning one control knob at a time counterclockwise to the “LITE/HI” position. All igniters will spark simultaneously. (It will take approximately four seconds for ignition to occur, at which time all igniters will stop sparking. If ignition does not occur within four seconds, turn off the knob, wait for at least five (5) minutes to allow any gas to dissipate, then repeat this ignition test.) The control knob can then be rotated counterclockwise from “HI” to “LOW” to adjust the flame height progressively. Repeat the ignition test for all burners.

When installed properly, the flame will be steady and quiet. It will also have a sharp, blue inner cone that will vary in length proportional to the burner size. Flame adjustment will not be necessary.

Read and understand the accompanying **Use & Care Manual** prior to cooking with this appliance. The **Use & Care Manual** contains additional important safety, service and warranty information.

---



1-877-4Electrolux

[www.electroluxusa.com](http://www.electroluxusa.com)  
[www.electroluxca.com](http://www.electroluxca.com)

# Liquid Petroleum Gas (LPG) Conversion Kit Instructions

Cooktop Models:  
E36GC76EPS, E48GC76EPS



Model E36GC76EPS shown



**WARNING:** This conversion kit shall be installed by a qualified service agency in accordance with the manufacturer's instructions and all applicable codes and requirements of the authority having jurisdiction. If the information in these instructions is not followed exactly, a fire, explosion, or production of carbon monoxide may result causing property damage, personal injury, or loss of life. The qualified service agency is responsible for the proper installation of this kit. The installation is not proper and complete until the operation of the converted appliance is checked as specified in the manufacture's instructions supplied with the kit.



**CAUTION:**

- ▶ Before proceeding with the conversion, shut off the gas supply to the appliance prior to disconnecting the electrical power.
- ▶ Do not reconnect electrical power until all leak tests have been performed.
- ▶ Only a qualified service technician should convert or service this appliance.
- ▶ Be sure the unit is unplugged and cool before proceeding with the conversion.



**IMPORTANT:**

- ▶ Read and save these instructions for future use and for use by the building inspector.
- ▶ The cooktop will not operate properly unless the correct sized orifices and air shutters are installed for each burner and valve and the air shutters for each burner are properly adjusted.
- ▶ The cooktop will not operate properly unless the regulator is converted according to these instructions.
- ▶ After installing the LPG orifices, be sure to keep the original factory installed orifices for future conversion back to natural gas. See page 12 for instructions on how to convert this appliance to natural gas from LPG.

**Before Starting...**

Before converting to LPG, install the cooktop in the cabinet according to the installation instructions provided.

**STEP 1 Verify Kit Contents**

**LPG Conversion Kit for Models E36GC76EPS and E48GC76EPS (36 and 48-Inch)**

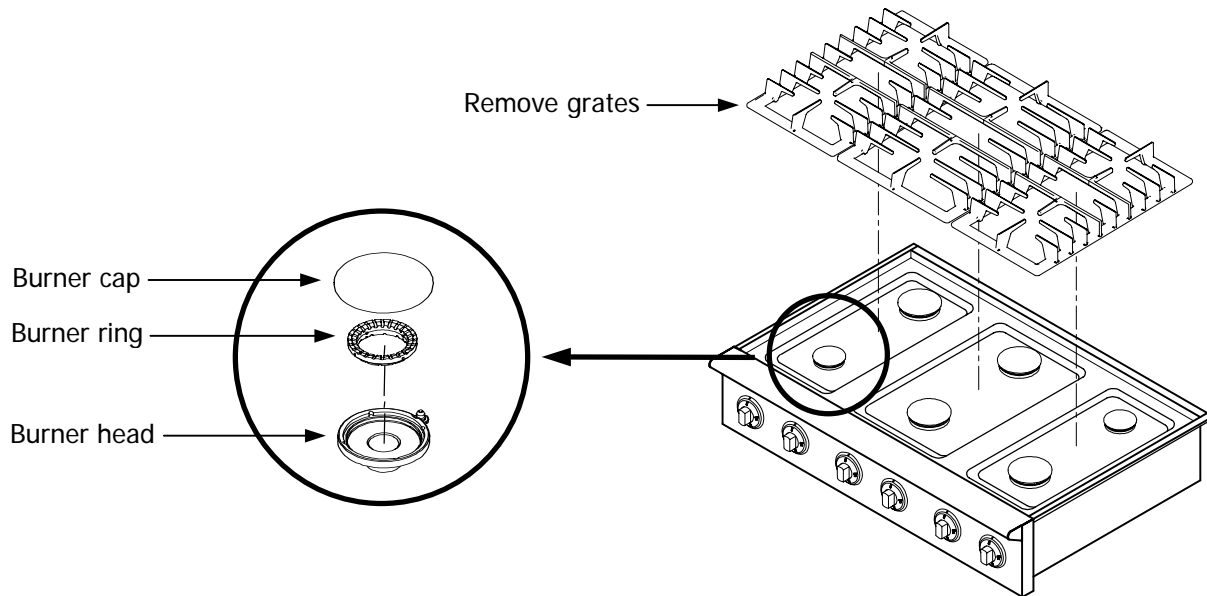
Kit Part Number: 700208-1		
Part Number	Description	Quantity
65480	LABEL, CONVERSION INFORMATION	2
86007	TOOL, REMOVAL, BURNER RING	1
100444	INSTALLATION INSTRUCTIONS, LPG CONVERSION KIT	1
76125*	O-RING, BYPASS	6
92125-48	ORIFICE, BYPASS, .48 MM	2
92125-61	ORIFICE, BYPASS, .61 MM	4
72427-86	ORIFICE, MAIN, .86 MM	2
72427-112	ORIFICE, MAIN, 1.12 MM	2
72427-118	ORIFICE, MAIN, 1.18 MM	2
* Provided assembled to the bypass orifices		

**STEP 2 Prepare Required Tools**

- ◆ 1/8" flat blade and Phillips head screwdriver
- ◆ Needle-nose pliers
- ◆ 10 mm open end wrench
- ◆ 6" and 8" long adjustable wrenches
- ◆ 6" (or 150 mm) pocket rule
- ◆ Thread-locker (Loctite 242 or equivalent)
- ◆ Burner ring removal tool (provided with conversion kit)
- ◆ U-tube manometer (calibrated)
- ◆ Leak detector: Gas or bubble forming fluid

**STEP 3 Prepare Cooktop for Conversion**

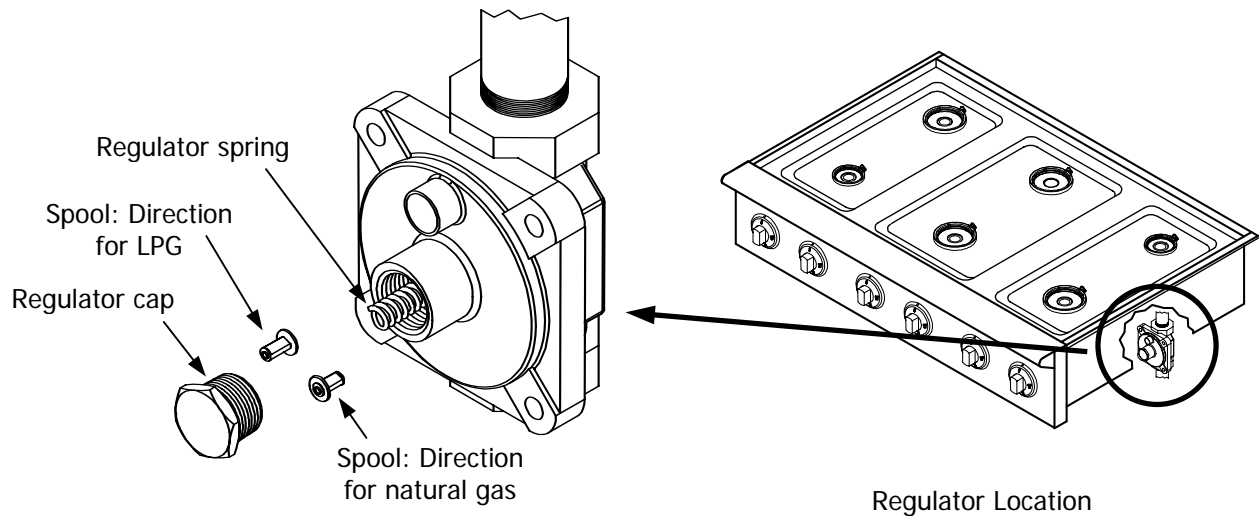
- 3-1** If the cooktop is connected to a natural gas supply line, close the gas supply valve.
- 3-2** Disconnect the cooktop power connector from the electrical outlet.
- 3-3** Remove the grates from the top.
- 3-4** Remove all of the burner caps and burner rings from top of the burner heads.



**Figure 3-1 Grate, Burner Cap, and Burner Ring Removal**

**STEP 4 Convert Regulator to LPG**

- 4-1** Locate the regulator. It is underneath the cooktop, below the right rear burner.
- 4-2** Remove the regulator cap from the regulator. Make sure that the regulator spring remains in place.
- 4-3** Remove the spool from the cap and insert the opposite side. The large end of the spool must insert into the regulator first for LPG operation.
- 4-4** Replace the cap, inserting the end of the spool into the center of the regulator spring.

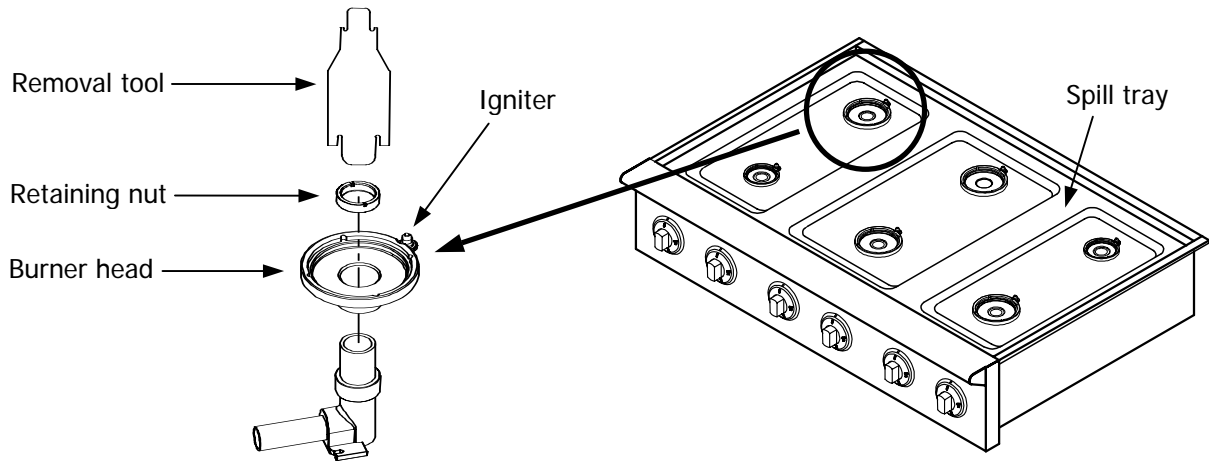


**Figure 4-1 Regulator Conversion**



**STEP 5 Disassemble Cooktop**

- 5-1 Insert the large end of the burner ring removal tool into the top of the left rear burner head. Unscrew and remove the nut.
- 5-2 Remove the burner head. Slip the igniter wire off of the burner as you remove it.
- 5-3 Repeat steps 5-1 and 5-2 for the remaining burners.
- 5-4 Lift out the spill tray.



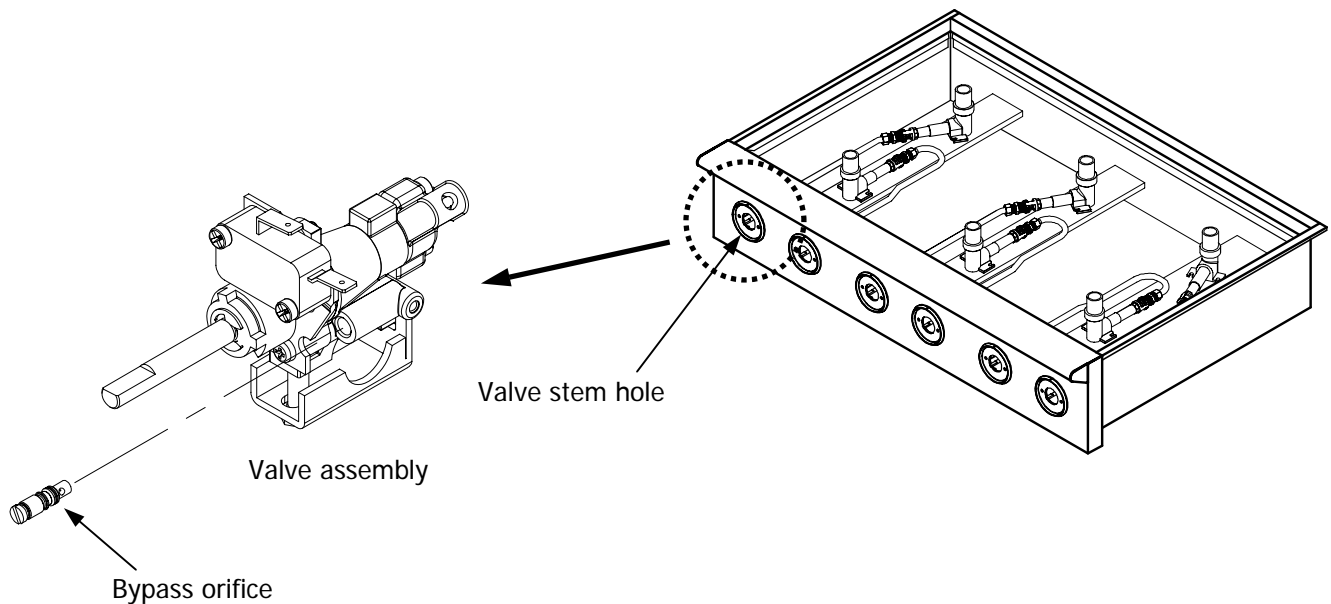
**Figure 5-1 Burner Head Removal**

**STEP 6 Replace Bypass Orifices**

- 6-1** Make sure all knobs are in the off position.
- 6-2** Remove all of the burner knobs from the front of the cooktop.
- 6-3** Insert the flat-blade screwdriver into the valve stem hole for the left rear burner. Unscrew the bypass orifice from the right side of the valve assembly.
- 6-4** Identify the appropriate bypass orifice from Table 6-1. Match both the model number and the burner location. The bypass orifice's size is stamped on its head.
- 6-5** Insert the bypass orifice and the attached o-ring into the right side of the valve with the needle nose pliers. Tighten into place with the flat-blade screwdriver.
- 6-6** Repeat steps 6-1 through 6-5 for the remaining burner valves.
- 6-7** Replace the knobs.

Burner Location	E36GC76EPS (36-Inch)	E48GC76EPS (48-Inch)
Left Rear	61	61
Left Front	48	48
Right Rear	48	48
Right Front	61	61
Center Rear	61	61
Center Front	61	61

**Table 6-1 Bypass Orifice Sizes (x 100 mm)**



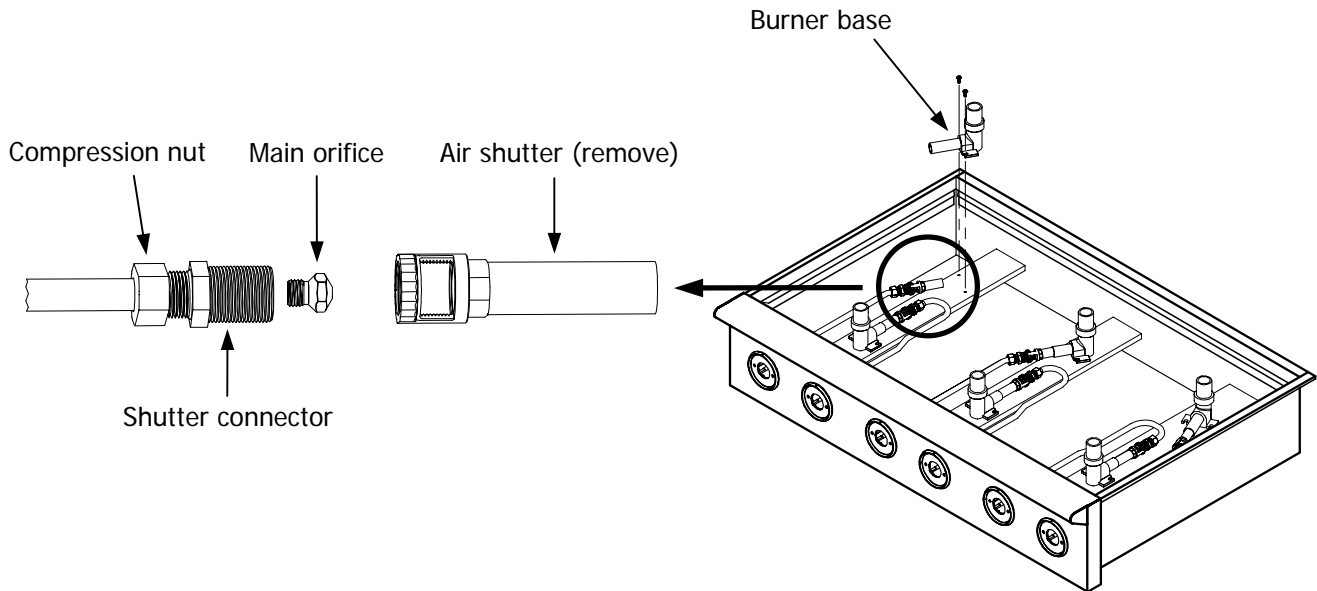
**Figure 6-1 Bypass Orifice Conversion**

**STEP 7 Replace Main Orifices**

- 7-1 Remove the two screws that hold the left rear burner base to the chassis.
- 7-2 Hold the shutter connector with the 8" adjustable wrench. Remove the air shutter using the 6" adjustable wrench.
- 7-3 Hold the shutter connector with the 8" adjustable wrench. Remove the main orifice from the shutter connector using the 10 mm open-end wrench.
- 7-4 Replace the main orifice with the appropriate size from Table 7-1. Match both the model number and the burner location. The main orifice's size is stamped on its side. The shutter and the burner base will be re-assembled after pressure testing.
- 7-5 Check to make sure that the compression nut is tightened into the back of the shutter connector.
- 7-6 Repeat steps 7-1 through 7-5 for the remaining burners.

Burner Location	E36GC76EPS (36-Inch)	E48GC76EPS (48-Inch)
Left Rear	112	112
Left Front	86	86
Right Rear	86	86
Right Front	112	112
Center Rear	118	118
Center Front	118	118

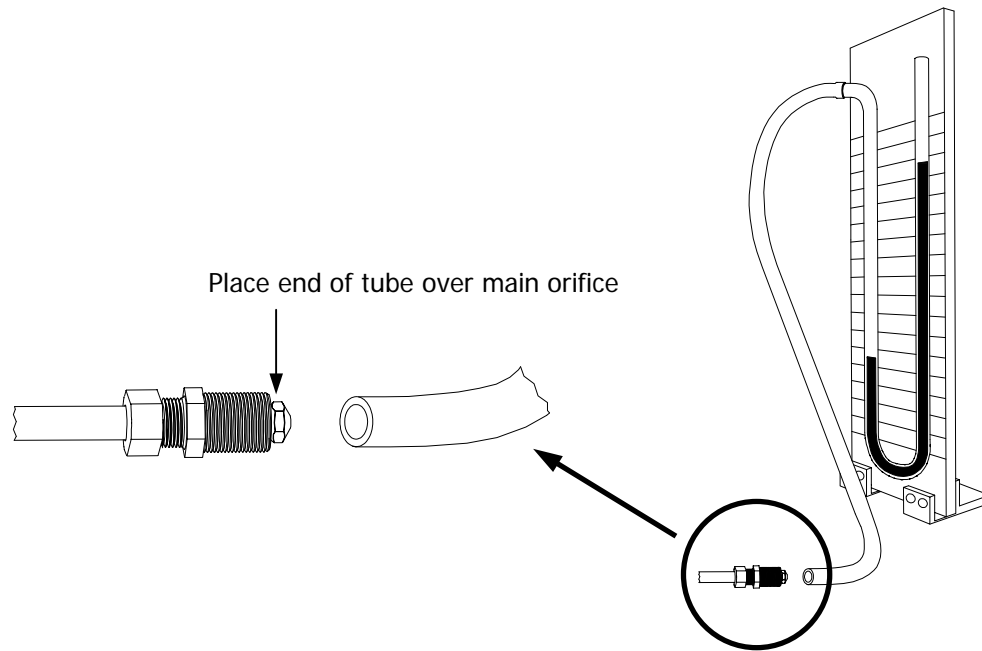
**Table 7-1 Main Orifice Sizes (X 100 mm)**



**Figure 7-1 Main Orifice Conversion**

**STEP 8 Perform Pressure Tests**

- 8-1** Connect the U-tube manometer to the LPG supply line.
- 8-2** With electrical power to the cooktop disconnected, open the LPG supply valve.
- 8-3** Verify that the pressure is above 11 inches water column (WC) and below ½ PSI. Consult the factory if the pressure is not within the limits.
- 8-4** Close the LPG supply valve. Connect the cooktop to the LPG supply line.
- 8-5** Make sure all knobs on the front of the cooktop are in the off position.
- 8-6** Connect the U-tube manometer to the left rear burner's main orifice with 3/8" surgical tubing.
- 8-7** Open the LPG supply valve. Turn on the left rear burner. The manometer should read 10 inches WC +/- ½ inch. Contact the factory if the reading is not within the limits.
- 8-8** Turn off the burner and the gas supply valve.



**Figure 8-1 Pressure Test Set-up**

**STEP 9 Adjust Air Shutter Gaps**

- 9-1** Determine the appropriate air shutter part number for the left rear burner from Table 9-1 on page 9. Be sure to match the model number and burner location. The shutter part number appears on its side.
- 9-2** Thread the air shutter onto the left rear shutter connector about 6 turns (see Figure 9-1).
- 9-3** Reinstall the burner base.
- 9-4** Measure the gap between the end of the shutter connector and the opposite end of the shutter opening with the pocket rule (see Figure 9-2).
- 9-5** Compare the measured gap to the gap listed in Table 9-2 for the appropriate model number and the burner location.
- 9-6** Hold the shutter connector with the 8" adjustable wrench. Adjust the air shutter using the 6" adjustable wrench until the gap is to within 1/16" (1.6 mm) of the gap indicated in the table.
- 9-7** Secure the shutter with thread-locker (see Figure 9-2).
- 9-8** Check to make sure that the compression nut is still tightened into the back of the shutter connector.
- 9-9** Repeat steps 9-1 through 9-8 for the remaining burners.

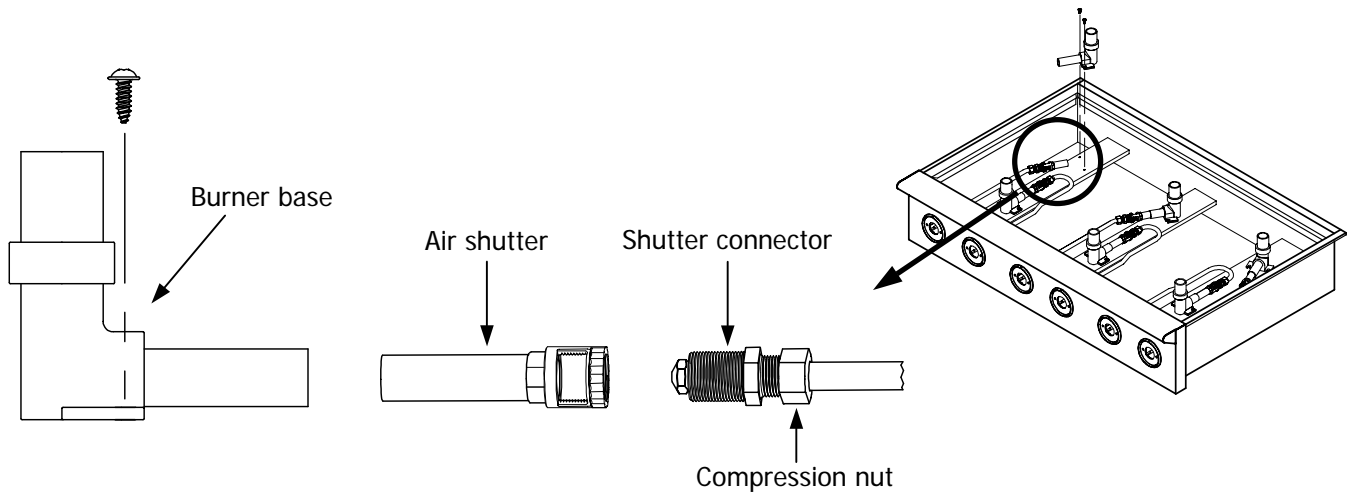
## Professional Series Cooktop LPG Conversion Kit

Burner Location	E36GC76EPS (36-Inch)	E48GC76EPS (48-Inch)
Left Rear	HN A-0053-E	HN A-0053-E
Left Front	HN A-0052-E	HN A-0052-E
Right Rear	HN A-0052-E	HN A-0052-E
Right Front	HN A-0053-E	HN A-0053-E
Center Rear	HN A-0053-E	HN A-0053-E
Center Front	HN A-0053-E	HN A-0053-E

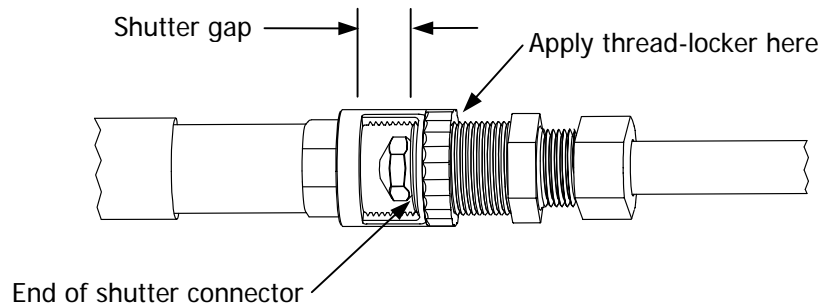
**Table 9-1 Air Shutter Part Numbers**

Burner Location	E36GC76EPS (36-Inch)	E48GC76EPS (48-Inch)
Left Rear	.38/9.7	.39/9.8
Left Front	.27/6.9	.12/3.1
Right Rear	.29/7.4	.18/4.7
Right Front	.39/9.9	.38/9.6
Center Rear	.40/10.0	.38/9.7
Center Front	.39/9.8	.40/10.1

**Table 9-2 Air Shutter Gaps Settings (in/mm)**



**Figure 9-1 Air Shutter Assembly**



**Figure 9-2 Air Shutter Reassembly and Gap Adjustment**

**STEP 10 Perform Leak Tests**

**10-1** Make sure that all knobs on the front of the cooktop are in the off position.

**10-2** With electrical power to the cooktop disconnected, open the LPG supply valve.

**10-3** Using a gas leak detector or bubble forming leak detection fluid, check the following for leaks:

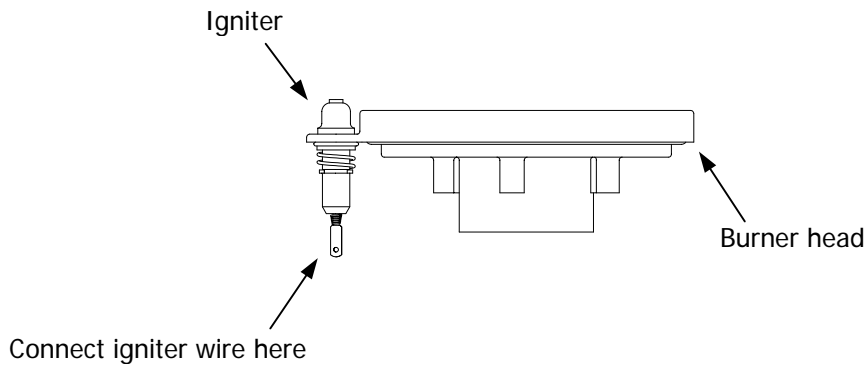
- LPG gas supply connection
- All manifold connections
- All valve connections
- Bypass orifices

**10-4** Re-assemble the burner heads, burner head nuts, burner rings, and burner caps without the spill tray in place. Be sure the igniter wire is connected for each burner head.

**10-5** Inspect all of the burner heads and verify that the igniter for each head has not become dislodged during re-assembly (see Figure 10-1 for the correct igniter orientation).

**10-6** Connect the cooktop to the electrical outlet.

**10-7** Turn each burner on **HIGH**, one at a time. Check for leaks around the valves (including the bypass orifice) and the burner lines.



**Figure 10-1 Igniter Location and Connection**

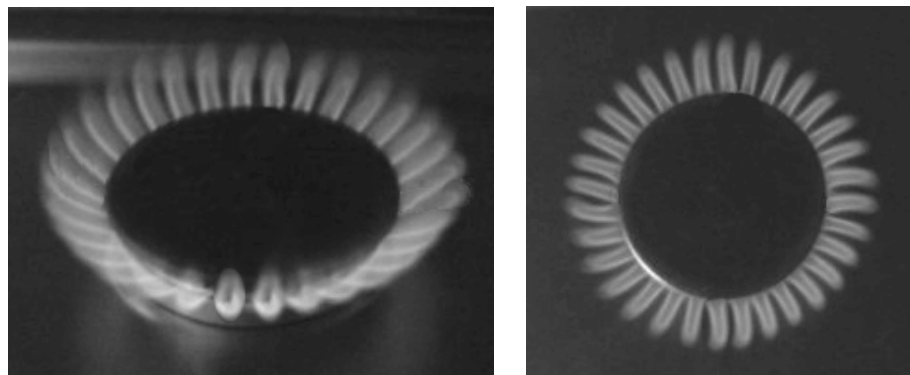
**STEP 11 Perform Flame Tests**

**11-1** Turn each burner on **HIGH** and then off again, several times. The igniter on each burner should spark 2 to 5 times a second. If any of the igniters do not spark as specified, contact the factory. If the flame does not light repeatedly and rapidly, check for obstructions between the igniter and the burner head (see Figure 10-1).

**11-2** Make sure that the flame:

- Is stable.
- Does not waver or lift up from the burner.
- Is predominately blue in color.
- Is not predominately yellow at the tips.

If the flame does not have the correct appearance, check the shutter gap settings (see STEP 9). Contact the factory if adjusting the air shutters does not correct the problem.



**Figure 11-1 Examples of a Normal Flame**

## Professional Series Cooktop LPG Conversion Kit

### STEP 12 Apply labels and reassemble

**12-1** Wait for all the burners to cool.

**12-2** Fill out and apply the conversion labels:

- Apply one where it can be easily read on the floor of the chassis.
- Apply the other near the rating label on the underside of the cooktop.

**12-3** Remove all of the burner heads.

**12-4** Install the spill tray.

**12-5** Replace the burner heads, burner head nuts, burner rings, and burner caps. Be sure the igniter wire is connected to the igniter for each burner head.

**12-6** Install the cooktop grates.

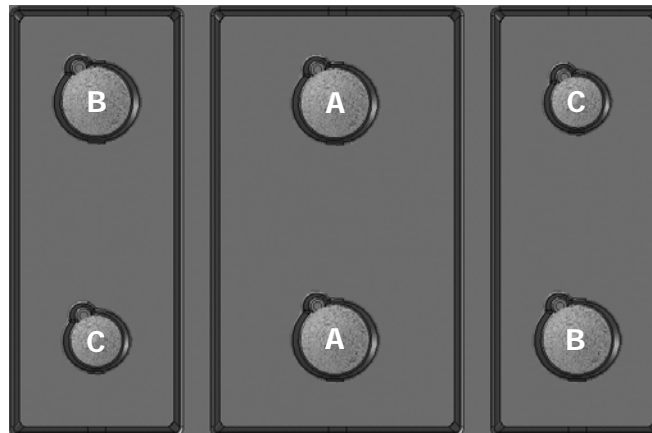
CONVERSION INFORMATION	
AFFIX THIS LABEL AS CLOSE AS POSSIBLE TO THE EXISTING RATING PLATE. FOR MODEL NO., RATINGS AND MANIFOLD PRESSURE INFORMATION: SEE ORIGINAL NAME PLATE.	
GAS SUPPLY TYPE:	
NATURAL GAS	<input type="checkbox"/>
LP	<input type="checkbox"/>
CONVERSION KIT P/N _____	
THIS APPLIANCE WAS CONVERTED ON _____ DAY/MONTH/YEAR	
TO _____ GAS WITH KIT NO. _____	
_____ OF _____	
(INSTALLER)	(COMPANY NAME)
WHICH ACCEPTS THE RESPONSIBILITY THAT THIS CONVERSION HAS BEEN PROPERLY MADE	

**Figure 12-1 Conversion Label**

### Burner Ratings and Altitude Considerations

The Electrolux Professional Series cooktop is equipped burners having the following ratings:

- A** Sealed power burner(s) – input rating: 17,000 BTU per hour.
- B** Sealed power burners – input rating: 15,000 BTU per hour.
- C** Sealed precision burner(s) – input rating: 8500 BTU per hour



**E36GC76EPS (36-Inch) and E48GC76EPS (48-Inch)**

**Figure 12-2 Burner Layout**

For elevations above 2000 feet, burner ratings are reduced at the rate of 4% for each 1000 feet above sea level.

## Conversion Back to Natural Gas

If it is necessary to return the cooktop to natural gas service, repeat all of the steps in this procedure using the parts that have been removed. Use the chart below to determine the orifice sizes, shutter gaps, and the air shutter part numbers.

### Natural Gas Conversion Specifications

Burner Location	Bypass Orifice (X 100 mm)	Main Orifice (X 100 mm)	Air Shutter Part No.	Air Shutter Gap
Left Rear	81	184	HN A-0053-E	.37/9.5
Left Front	72	135	HN A-0052-E	.09/2.3
Right Rear	72	135	HN A-0052-E	.09/2.3
Right Front	81	184	HN A-0053-E	.37/9.4
Center Rear	81	194	HN A-0053-E	.37/9.5
Center Front	81	194	HN A-0053-E	.38/9.6
<b>Model E36GC76EPS (36-Inch)</b>				

Burner Location	Bypass Orifice (X 100 mm)	Main Orifice (X 100 mm)	Air Shutter Part No.	Air Shutter Gap
Left Rear	81	184	HN A-0053-E	.38/9.6
Left Front	72	135	HN A-0052-E	.09/2.3
Right Rear	72	135	HN A-0052-E	.09/2.3
Right Front	81	184	HN A-0053-E	.39/9.9
Center Rear	81	194	HN A-0053-E	.37/9.5
Center Front	81	194	HN A-0053-E	.38/9.7
<b>Model E48GC76EPS (48-Inch)</b>				



USA • 250 Bobby Jones Expressway • Augusta, GA 30907  
1-877-4electrolux (1-877-453-3287) • [www.electroluxusa.com](http://www.electroluxusa.com)

CANADA • 5855 Terry Fox Way • Mississauga, ON L5V 3E4  
1-800-688-4606 • [www.electroluxca.com](http://www.electroluxca.com)