

# Under-Counter Trash Compactor

**E15TC75HSS** designer series



### Extra-Large Capacity

Up to 1.55 cu. ft. capacity holds more for quick cleanup.



### High-Performance Power

3,000 pounds of continuous compacting force neatly compresses an entire bin in just 45 seconds.



### Smooth-Glide® System

With a ball bearing system, bin smoothly extends with the touch of a finger for effortless access.



### Luxury-Quiet™ Sound Package

Innovative sound insulation system makes cleanup quiet.

## UNDER-COUNTER TRASH COMPACTOR

Installation Type	Built In/Freestanding*
-------------------	------------------------

### FEATURES

Stainless Steel Exterior/Interior	Yes
Control Panel	4 Button
Trash Compartment Capacity (Cu.Ft.)	1.55
Compacting Force (Lbs.)	3,000
Belt-Drive, Dual-Screw Scissor System (HP)	3/4
Smooth-Glide® Full-Extension Drawer Glides	Yes
Deodorizing System	Yes
Luxury-Quiet™ Sound Package (Approx. dBA)	62
Electronic Control with Clock and Countdown Timer	Yes
On/Off Key Switch	Yes
Trash Bag Storage Compartment	Yes

### ADDITIONAL FEATURES

Outer Door	Stainless Steel
Fully Enclosed Inner Cabinet	Yes
Trash Removal Drop-Down Panel	Yes
Field-Reversible Door	Yes
Self-Closing Door Mechanism	Yes

### ACCESSORIES

Deodorizing System Replacement Disk – PN# ETC15ODH	Optional
60 Replacement Bags – PN# ETC15CB5DH	Optional
Toe Kick Accessory Kit (for Freestanding Installation) – PN# ETC15TKH	Optional

### SPECIFICATIONS

Overall Exterior Dimensions –	
Height (Adjustable)	34-3/8" – 35-3/8"
Width	14-7/8"
Depth (Including Door) (with 90° Door Open)	21-1/2" 35-7/8"
Power Cord Location	Top Right Rear
Leveling Legs	Yes
Voltage Rating	120V/60Hz/15A
Connected Load (kW Rating) @ 120 Volts <sup>‡</sup>	0.15
Approved for Under-Counter Installation	Yes
Shipping Weight (Approx.)	165 Lbs.

\*For conversion from built-in installation to freestanding, use optional Toe Kick Accessory Kit.

<sup>‡</sup>For use on adequately wired 120V, dedicated circuit having 2-wire service with a separate ground wire. Appliance must be grounded for safe operation.

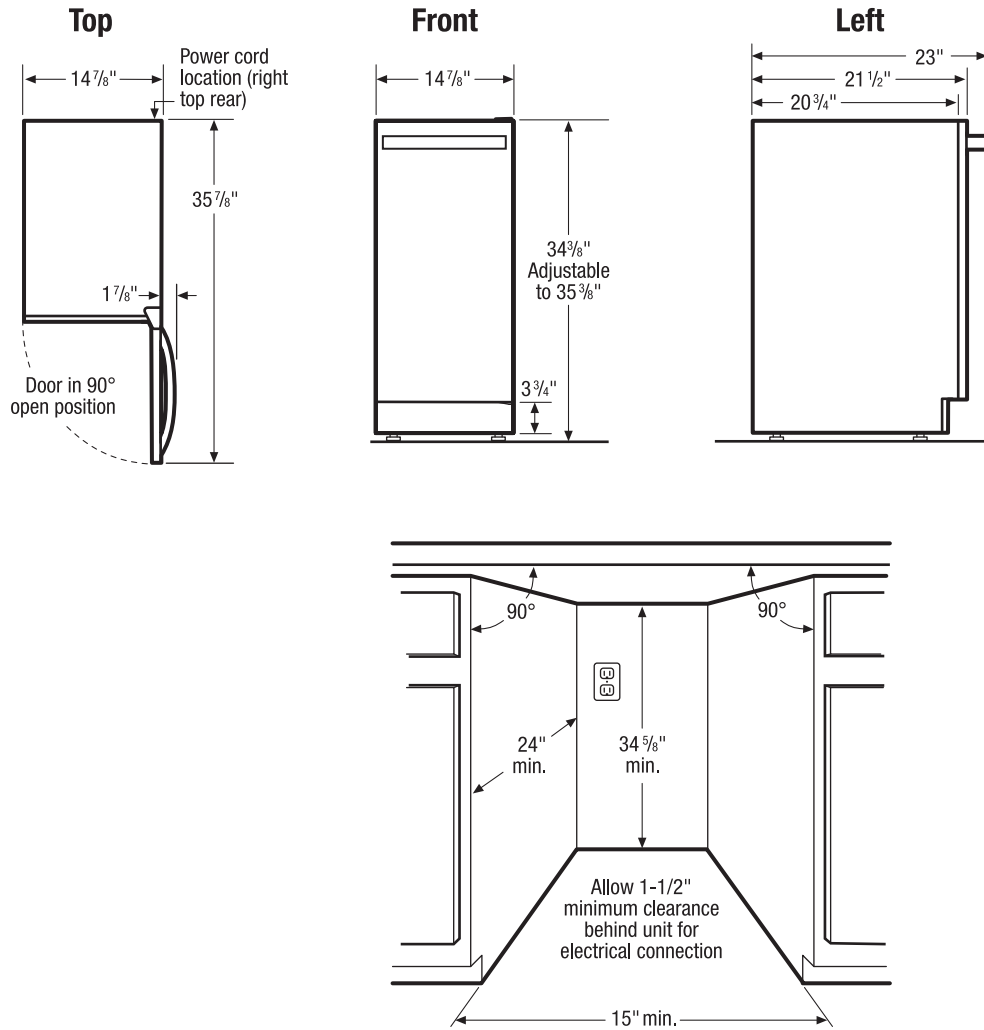
NOTE: Always consult local and national electric codes. Refer to Product Installation Guide for detailed installation instructions on the web at [electroluxicon.com](http://electroluxicon.com).

Specifications subject to change.

# Under-Counter Trash Compactor

E15TC75HSS designer series

Electrolux | ICON®



## Under-Counter Trash Compactor Specifications

- Product Weight – 161 Lbs.
- Voltage Rating – 120V/60Hz/15 Amps
- Connected Load (kW Rating) @ 120 Volts = 0.15kW  
(For use on adequately wired 120V, dedicated circuit having 2-wire service with a separate ground wire. Appliance must be grounded for safe operation.)
- Amps @ 120 Volts = 5.5 Amps
- Electrical cable supplied.
- Always consult local and national electric codes.
- Can be used freestanding, or built in under counter. (For conversion from built-in installation to freestanding, use optional Toe Kick Accessory Kit – PN# ETC15TKH).
- Does not require additional airspace for top, sides or rear when used in built-in application. Increase unit dimensions by at least 1/4" for recommended rough opening, allowing 1-1/2" minimum clearance in rear for electrical connection.

- Unit MUST be level for proper operation, and positioned on flat surface, capable of supporting entire weight.
- Leveling legs supplied to adjust height and level unit.
- Must be positioned to allow for 90° door swing. (Door is field reversible for right- or left-hand opening.)
- When installing next to wall where handle may make contact, allow 3" clearance between opened door and wall.

**Note:** For planning purposes only. Refer to Product Installation Guide on the web at [electroluxicon.com](http://electroluxicon.com) for detailed instructions.

## Optional Accessories

- Deodorizing System Replacement Disk – (PN# ETC150DH).
- 60 Replacement Bags – (PN# ETC15CB5DH).
- Toe Kick Accessory Kit (for Freestanding Installation) – (PN# ETC15TKH).

## Electrolux Major Appliances, N.A.

USA • 10200 David Taylor Drive • Charlotte, NC 28262 • 1-877-4electrolux (1-877-435-3287) • [electroluxicon.com](http://electroluxicon.com)  
CANADA • 5855 Terry Fox Way • Mississauga, ON L5V 3E4 • 1-800-265-8352 • [electroluxicon.ca](http://electroluxicon.ca)

E15TC75HSS 04/11

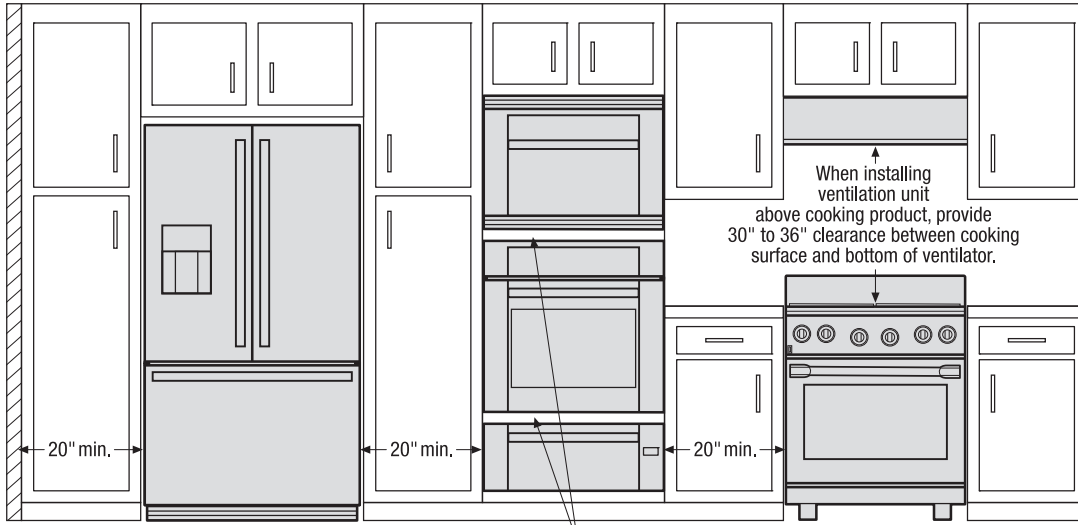
© 2011 Electrolux Home Products, Inc.



High standards of quality at Electrolux Home Products, Inc. mean we are constantly working to improve our products. We reserve the right to change specifications or discontinue models without notice.  
Printed in the U.S.A.

Use these dimensions and clearance instructions for planning purposes only. For detailed installation instructions, refer to installation guide, packed with product, or on the web at [electroluxicon.com](http://electroluxicon.com).

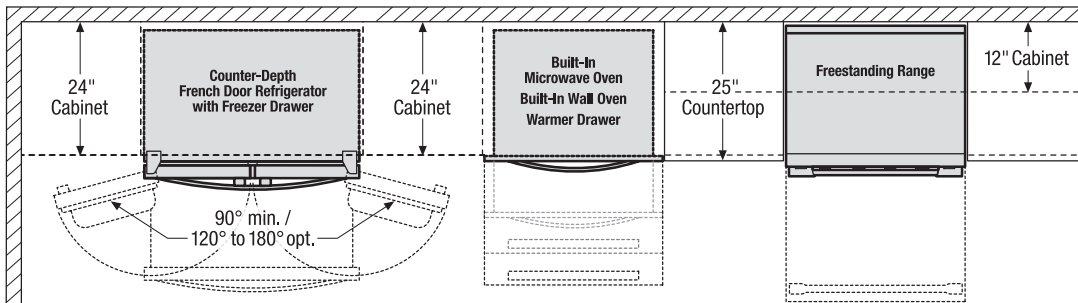
Front



When installing appliances adjacent to each other, 20" minimum distance between each appliance required.

When installing built-in cooking appliances in combination, 2" minimum visible gap between appliance faceplates required.

Top

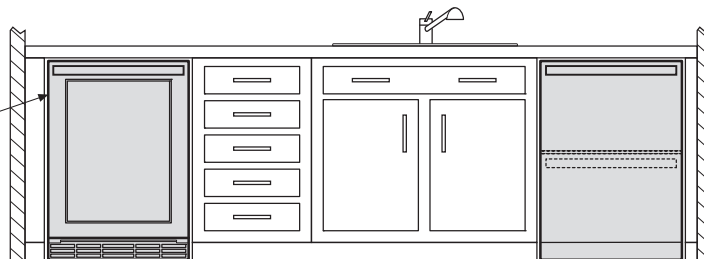


When installing refrigerator adjacent to wall, cabinet or another appliance that extends beyond front edge of unit, 20" minimum clearance recommended to allow for optimum 120° to 180° door swing, providing complete drawer/crisper access and removal.

When installing appliance with sliding drawer or drop-down door directly across from obstructions, provide sufficient clearance for drawer extension or door swing.

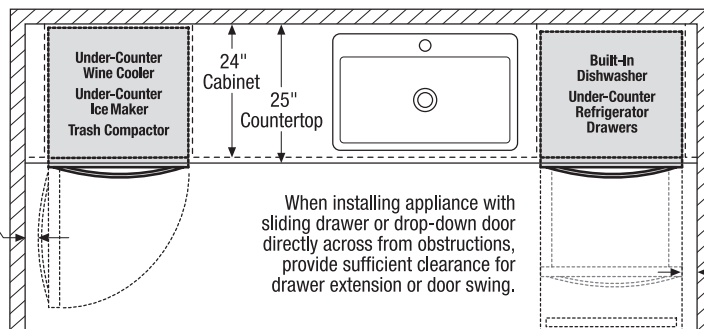
Front

To ensure optimum performance, avoid installing refrigeration appliances in direct sunlight or near heat source.



Top

When installing appliance with side-swing door adjacent to wall, cabinet, or other obstruction that extends beyond front edge of appliance, door swing and handle clearance must be sufficient to allow access to appliance interior.



When installing appliance with sliding drawer or drop-down door directly across from obstructions, provide sufficient clearance for drawer extension or door swing.

When installing appliance with sliding drawer or drop-down door adjacent to wall, cabinet, or other obstruction that extends beyond front edge of appliance, allow 2" minimum clearance between drawer or door and obstruction.

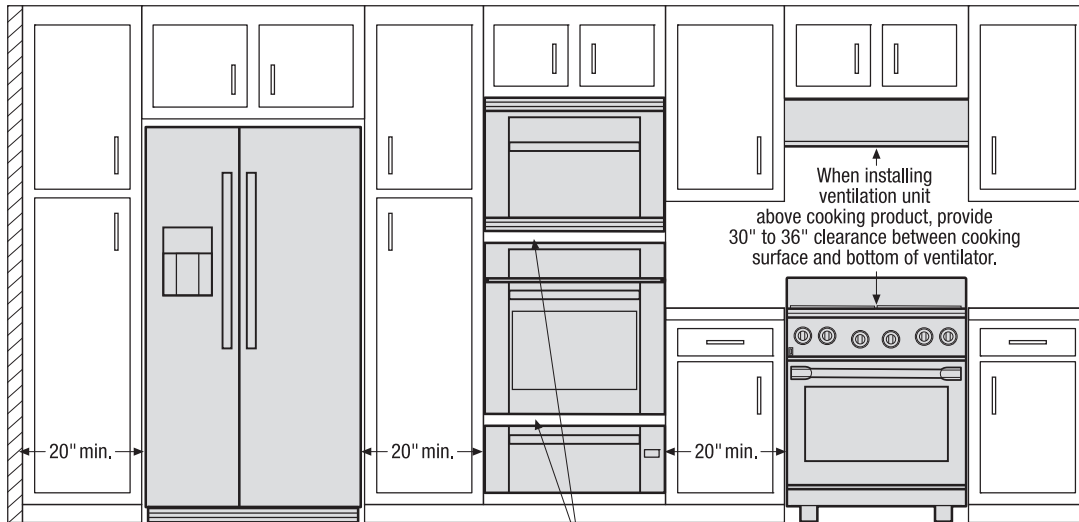
Electrolux Major Appliances, N.A.

USA • 10200 David Taylor Drive • Charlotte, NC 28262 • 1-877-4electrolux (1-877-435-3287) • [electroluxicon.com](http://electroluxicon.com)  
CANADA • 5855 Terry Fox Way • Mississauga, ON L5V 3E4 • 1-800-265-8352 • [electroluxicon.ca](http://electroluxicon.ca)

High standards of quality at Electrolux Home Products, Inc. mean we are constantly working to improve our products. We reserve the right to change specifications or discontinue models without notice.

Use these dimensions and clearance instructions for planning purposes only. For detailed installation instructions, refer to installation guide, packed with product, or on the web at [electroluxicon.com](http://electroluxicon.com).

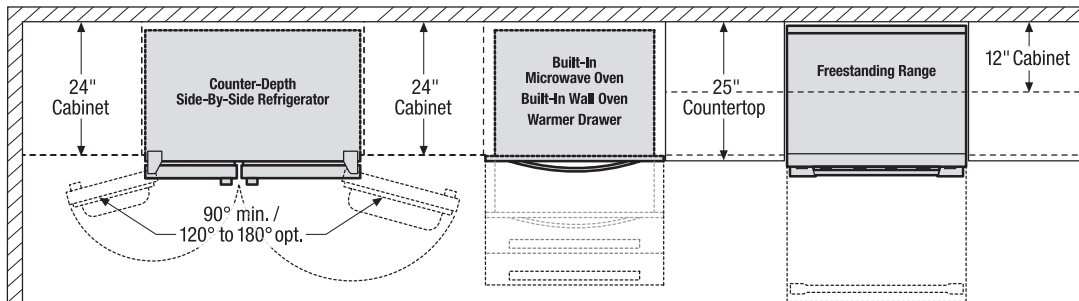
Front



When installing appliances adjacent to each other, 20" minimum distance between each appliance required.

When installing built-in cooking appliances in combination, 2" minimum visible gap between appliance faceplates required.

Top

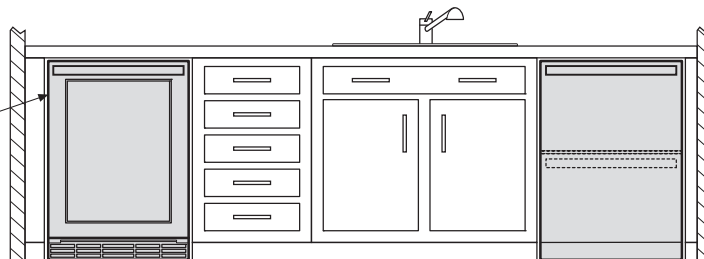


When installing refrigerator adjacent to wall, cabinet or another appliance that extends beyond front edge of unit, 20" minimum clearance recommended to allow for optimum 120° to 180° door swing, providing complete drawer/crisper access and removal.

When installing appliance with sliding drawer or drop-down door directly across from obstructions, provide sufficient clearance for drawer extension or door swing.

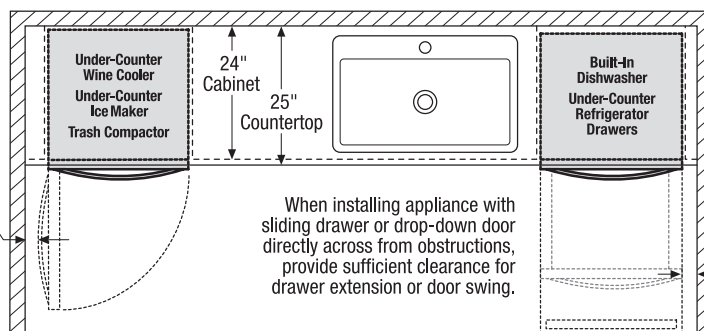
Front

To ensure optimum performance, avoid installing refrigeration appliances in direct sunlight or near heat source.



Top

When installing appliance with side-swing door adjacent to wall, cabinet, or other obstruction that extends beyond front edge of appliance, door swing and handle clearance must be sufficient to allow access to appliance interior.



When installing appliance with sliding drawer or drop-down door directly across from obstructions, provide sufficient clearance for drawer extension or door swing.

When installing appliance with sliding drawer or drop-down door adjacent to wall, cabinet, or other obstruction that extends beyond front edge of appliance, allow 2" minimum clearance between drawer or door and obstruction.

## Electrolux Major Appliances, N.A.

USA • 10200 David Taylor Drive • Charlotte, NC 28262 • 1-877-4electrolux (1-877-435-3287) • [electroluxicon.com](http://electroluxicon.com)  
 CANADA • 5855 Terry Fox Way • Mississauga, ON L5V 3E4 • 1-800-265-8352 • [electroluxicon.ca](http://electroluxicon.ca)

High standards of quality at Electrolux Home Products, Inc. mean we are constantly working to improve our products. We reserve the right to change specifications or discontinue models without notice.