

Under-Counter Refrigerator Drawers

E24RD75KPS professional series



Large Capacity

Offering the largest storage space available in drawer-style refrigeration. Each drawer is tall enough to store wine bottles and wide enough for large platters.



Smooth-Glide® Drawers

With a ball bearing system, drawers smoothly extend with the touch of a finger for effortless access.



Custom-Set™ Temperature Control

Set a temperature anywhere between 34 and 45 degrees — the drawer will maintain your selected temperature to keep the contents chilled to your ideal temperature.



Integrated Electronic Control Panel

Our control panel is thoughtfully located at the top of the drawer, leaving you with a clean look that fits any style.

UNDER-COUNTER REFRIGERATOR DRAWERS

Capacity	4.74 Cu. Ft.
Configuration	2 Drawers
Installation Type	Built In

FEATURES

Custom-Set™ Electronic Controls	Yes
Fully Integrated Control Panel	Yes
Blue LED Display	Yes
Smooth-Glide® Full-Extension Self-Closing Drawers	Yes
Theatre LED Lighting	Yes
PureAdvantage® Air Filtration	Yes
Electronic Control Lock	Yes
Display Temp Mode (°C or °F)	Yes
Door-Ajar Acoustic Alarm	Yes
High-Temperature Acoustic Alarm	Yes
Power Failure Acoustic Alarm	Yes
Mute Sound Control	Yes
Power-On/Off Control	Yes
Vacation Mode	Yes
Sabbath Mode (Star-K® Certified)	Yes
Holds 12" Bottle (Upper and Lower Drawer)	Yes
Storage Shelf (Lower Drawer)	Yes
Frost-Free Performance	Yes
Dynamic Condenser	Yes

ADDITIONAL FEATURES

Professional Series Drawer and Handle Design	Yes
Adjustable Leveling Legs	4
A.D.A. Compliant*	Yes

ACCESSORIES

Condiment Tray – PN# 241965501	Included
Beverage Shelf – PN# 241997401	Included
PureAdvantage® Replacement Air Filter – PN# EAFCBF	Included

SPECIFICATIONS

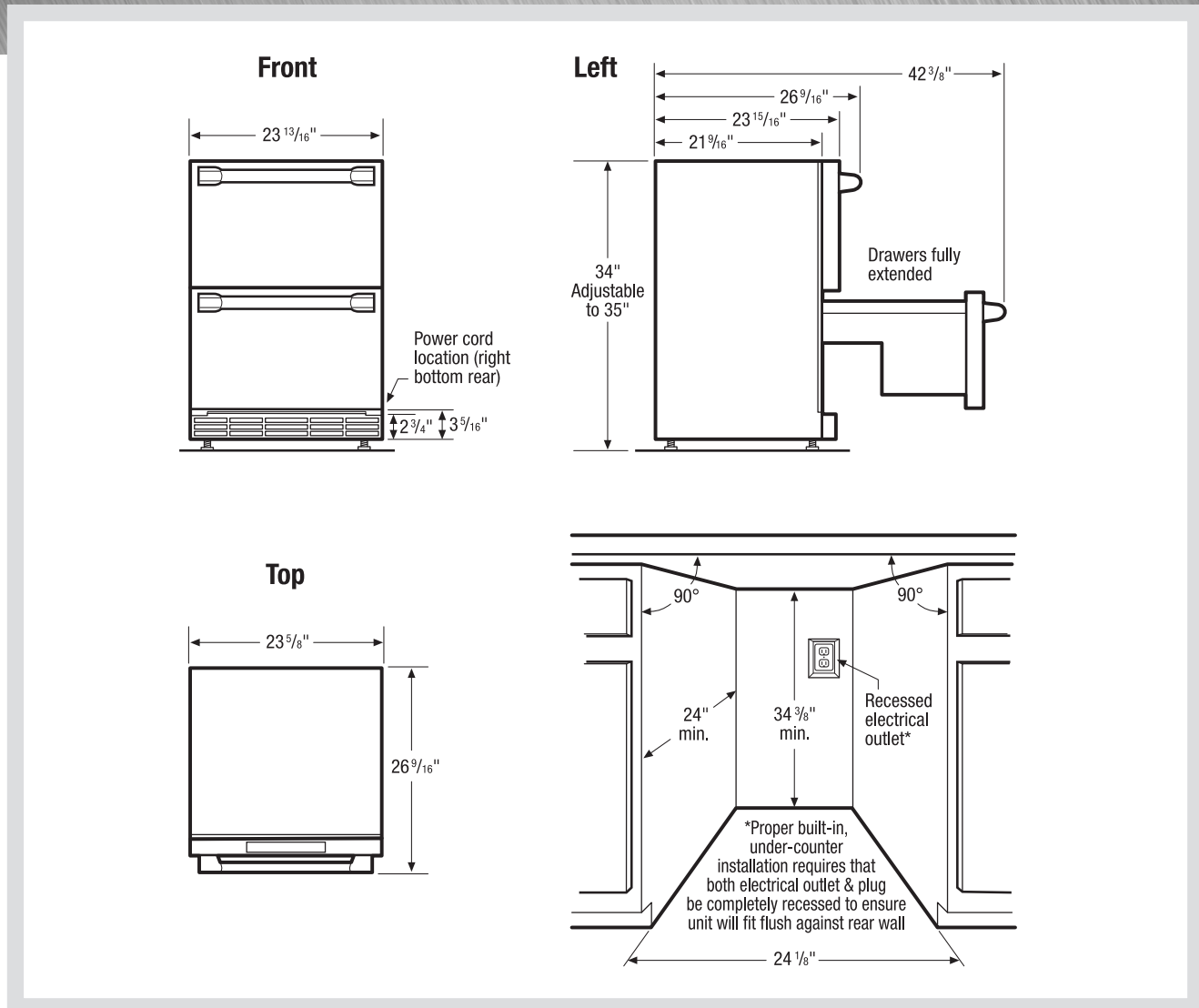
Cavity Dimensions –	
Height (Upper Drawer)	12-3/64"
Height (Lower Drawer)	12-3/16"
Width	17-1/4"
Depth	17-7/8"
Overall Exterior Dimensions –	
Height	34" – 35"
Width	23-13/16"
Depth (To handle)	26-9/16"
Depth (Fully Extended Including Handle)	42-3/8"
Temperature Range	34° F - 45° F
Electrical Cable	Yes
Power Supply Connection Location	Right Bottom Rear
Voltage Rating	120V/60Hz/15A
Connected Load (kW Rating) @ 120 Volts†	0.16
Minimum Circuit Required (Amps)	15
Shipping Weight (Approx.)	175 Lbs.

*When properly installed, meets the appliance standards in the Americans with Disabilities Act and the Architectural Barriers Act Accessibility Guidelines as published by the United States Access Board on June 23, 2004, as amended August 5, 2005.

†For use on adequately wired 120V, dedicated circuit having 2-wire service with a separate ground wire. Appliance must be grounded for safe operation.

NOTE: Always consult local and national electric codes. Refer to Product Installation Guide for detailed installation instructions on the web at electroluxicon.com.

Specifications subject to change.



Under-Counter Refrigerator Drawers Specifications

- Product Weight – 165 Lbs.
- Voltage Rating – 120V/60 Hz/15 Amps
- Connected Load (kW Rating) @ 120 Volts = 0.16kW (For use on adequately wired 120V, dedicated circuit having 2-wire service with a separate ground wire. Appliance must be grounded for safe operation.)
- Amps @ 120 Volts = 1.5 Amps
- Electrical cable supplied.
- Always consult local and national electric codes.
- Unit is designed for built-in, under-counter installation only with use of Anti-Tip Kit and can NOT be used in freestanding installation.
- Built-in, under-counter installation does not require additional airspace for top, sides or rear of unit.
- Proper built-in, under-counter installation requires that both electrical outlet and plug be completely recessed to ensure unit will fit flush against rear wall.

- To allow for ease of installation and removal, it is recommended that cabinet rough opening dimensions be increased by at least 1/4" over product's dimensions.
- For proper ventilation, unit can NOT be installed behind closed doors; front grille MUST remain unobstructed.
- Must be positioned on flat, level surface, capable of supporting entire weight when fully loaded.
- Leveling legs supplied to adjust height and level unit.
- Do not position unit near any heat source to ensure optimum performance.
- Allow 17" minimum for handle clearance with drawers fully extended.

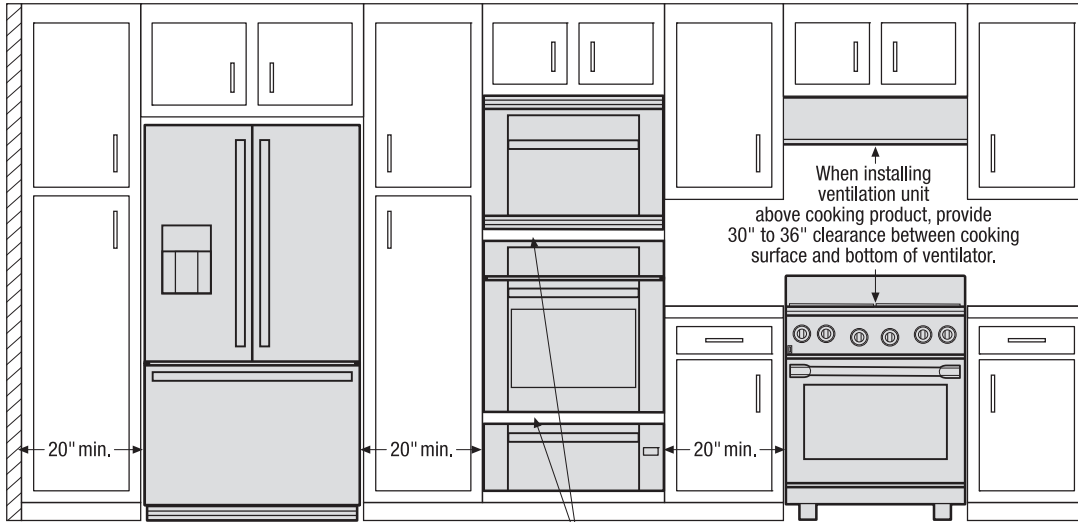
Note: For planning purposes only. Refer to Product Installation Guide on the web at electroluxicon.com for detailed instructions.

Electrolux Major Appliances, N.A.

USA • 10200 David Taylor Drive • Charlotte, NC 28262 • 1-877-4electrolux (1-877-435-3287) • electroluxicon.com
 CANADA • 5855 Terry Fox Way • Mississauga, ON L5V 3E4 • 1-800-265-8352 • electroluxicon.ca

Use these dimensions and clearance instructions for planning purposes only. For detailed installation instructions, refer to installation guide, packed with product, or on the web at electroluxicon.com.

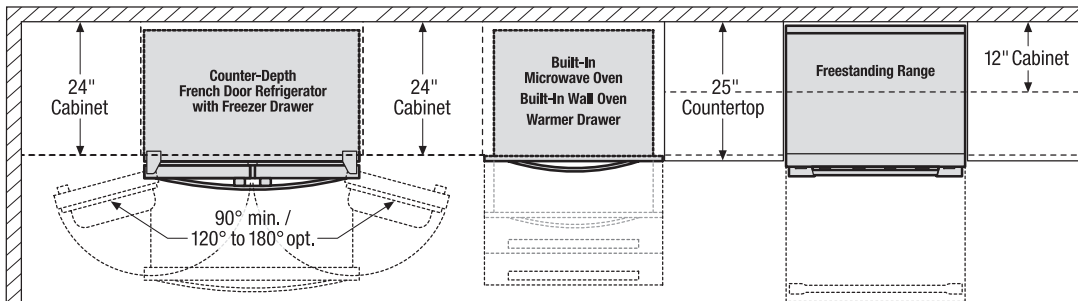
Front



When installing appliances adjacent to each other, 20" minimum distance between each appliance required.

When installing built-in cooking appliances in combination, 2" minimum visible gap between appliance faceplates required.

Top

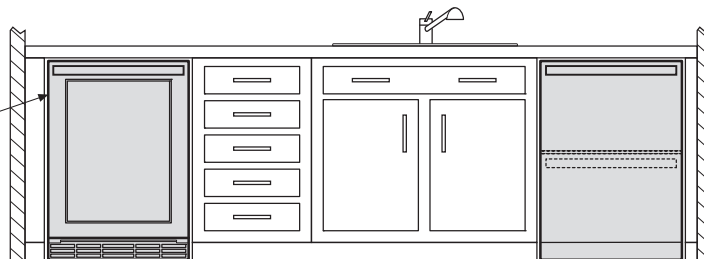


When installing refrigerator adjacent to wall, cabinet or another appliance that extends beyond front edge of unit, 20" minimum clearance recommended to allow for optimum 120° to 180° door swing, providing complete drawer/crisper access and removal.

When installing appliance with sliding drawer or drop-down door directly across from obstructions, provide sufficient clearance for drawer extension or door swing.

Front

To ensure optimum performance, avoid installing refrigeration appliances in direct sunlight or near heat source.

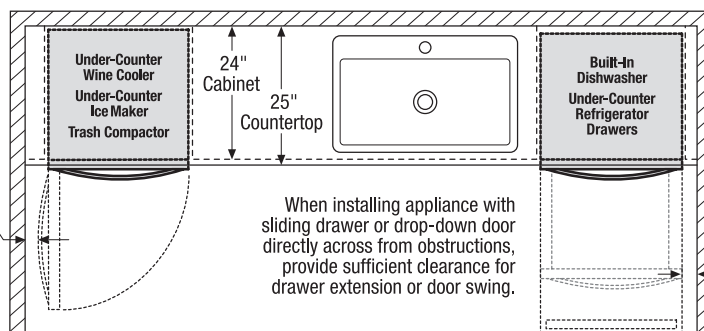


Top

When installing appliance with side-swing door adjacent to wall, cabinet, or other obstruction that extends beyond front edge of appliance, door swing and handle clearance must be sufficient to allow access to appliance interior.

When installing appliance with sliding drawer or drop-down door directly across from obstructions, provide sufficient clearance for drawer extension or door swing.

When installing appliance with sliding drawer or drop-down door adjacent to wall, cabinet, or other obstruction that extends beyond front edge of appliance, allow 2" minimum clearance between drawer or door and obstruction.



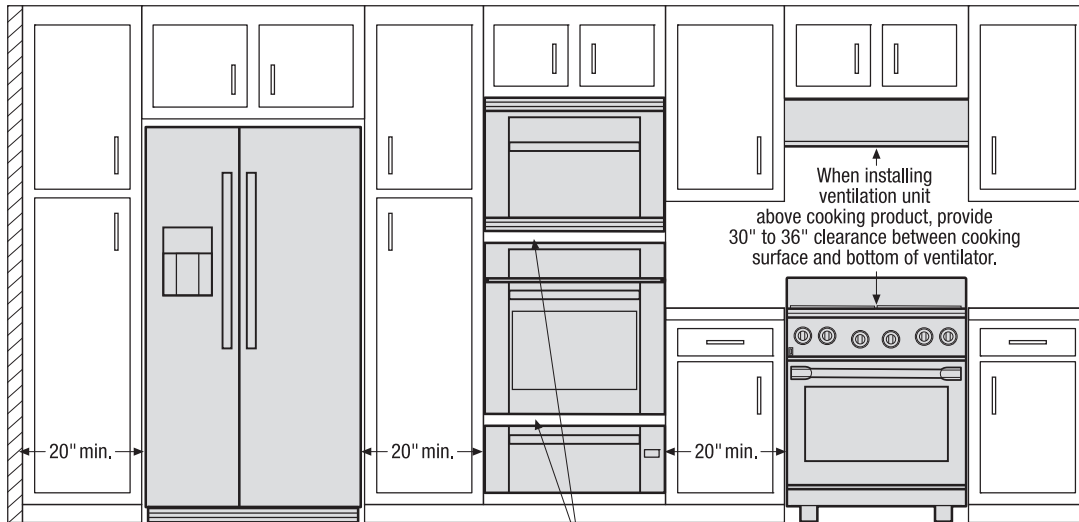
Electrolux Major Appliances, N.A.

USA • 10200 David Taylor Drive • Charlotte, NC 28262 • 1-877-4electrolux (1-877-435-3287) • electroluxicon.com
CANADA • 5855 Terry Fox Way • Mississauga, ON L5V 3E4 • 1-800-265-8352 • electroluxicon.ca

High standards of quality at Electrolux Home Products, Inc. mean we are constantly working to improve our products. We reserve the right to change specifications or discontinue models without notice.

Use these dimensions and clearance instructions for planning purposes only. For detailed installation instructions, refer to installation guide, packed with product, or on the web at electroluxicon.com.

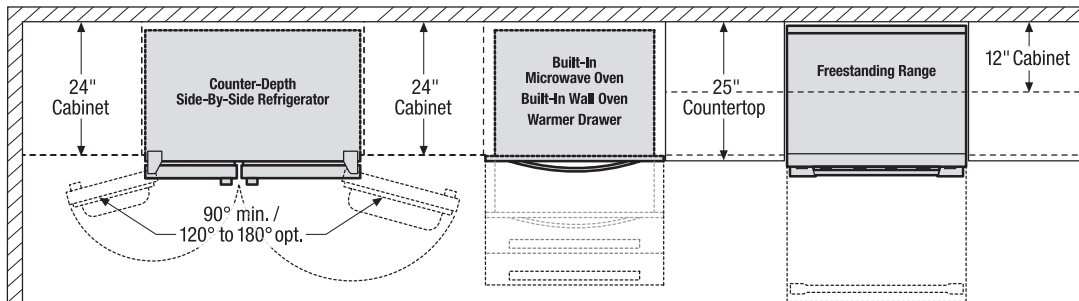
Front



When installing appliances adjacent to each other, 20" minimum distance between each appliance required.

When installing built-in cooking appliances in combination, 2" minimum visible gap between appliance faceplates required.

Top

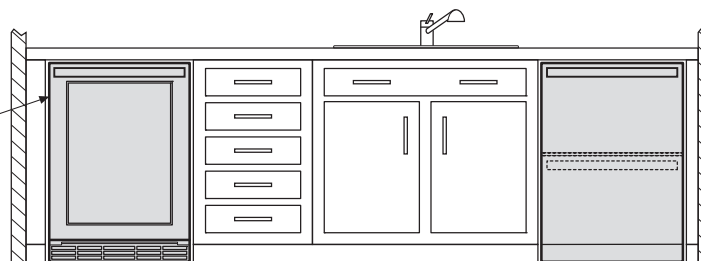


When installing refrigerator adjacent to wall, cabinet or another appliance that extends beyond front edge of unit, 20" minimum clearance recommended to allow for optimum 120° to 180° door swing, providing complete drawer/crisper access and removal.

When installing appliance with sliding drawer or drop-down door directly across from obstructions, provide sufficient clearance for drawer extension or door swing.

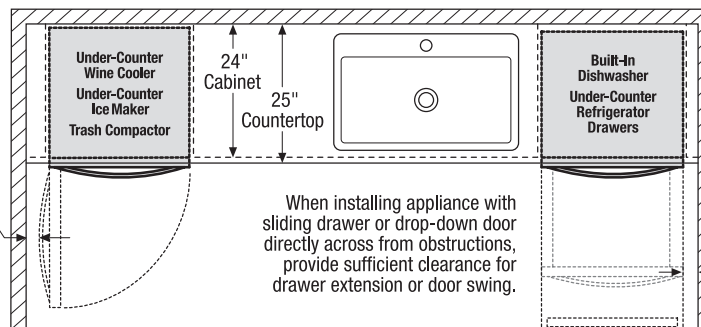
Front

To ensure optimum performance, avoid installing refrigeration appliances in direct sunlight or near heat source.



Top

When installing appliance with side-swing door adjacent to wall, cabinet, or other obstruction that extends beyond front edge of appliance, door swing and handle clearance must be sufficient to allow access to appliance interior.



When installing appliance with sliding drawer or drop-down door directly across from obstructions, provide sufficient clearance for drawer extension or door swing.

When installing appliance with sliding drawer or drop-down door adjacent to wall, cabinet, or other obstruction that extends beyond front edge of appliance, allow 2" minimum clearance between drawer or door and obstruction.

Electrolux Major Appliances, N.A.

USA • 10200 David Taylor Drive • Charlotte, NC 28262 • 1-877-4electrolux (1-877-435-3287) • electroluxicon.com
 CANADA • 5855 Terry Fox Way • Mississauga, ON L5V 3E4 • 1-800-265-8352 • electroluxicon.ca

High standards of quality at Electrolux Home Products, Inc. mean we are constantly working to improve our products. We reserve the right to change specifications or discontinue models without notice.