



design guide



# Achieve Your Vision

You utilize every tool at your disposal to create an environment that seamlessly blends high design with high performance. And of all the environments you create, very few are revered as much as the kitchen. Which is why each and every Electrolux ICON® appliance utilizes the expertise of the world's foremost leaders from their conception to final assembly.

For more than 80 years, Electrolux appliances have graced the kitchens of some of Europe's finest homes and restaurants. And we are proud to bring this thoughtful design heritage to North America with our renowned Electrolux ICON® appliances.

Available in a bold professional series and a graceful designer series, they fit easily into any design style while delivering a versatile array of power, performance and functionality to meet your clients' needs.

Electrolux ICON® appliances will help you achieve your vision.





## Electrolux ICON® professional series

Ignite the Passion

Bold looks. Expert design. Flawless engineering. Electrolux ICON® professional series is ideal for those who are passionate about cooking – or anyone who wants a more professional cooking experience at home. Featuring large, restaurant-style knobs and handles, clean lines and polished stainless steel accents, the professional series' style and versatility have made it the choice of professional chefs at hotels and restaurants throughout Europe.

## Electrolux ICON® designer series

Performance Meets Elegance

Your kitchen design will not only create your client's environment, it will embody her passion. She demands appliances that are smart and purposeful yet elegant and sophisticated. She demands Electrolux ICON® designer series appliances. Featuring stainless steel styling and gracefully curved handles that fit the palm of her hands, each appliance model was created following extensive market research and the strict input and opinions of our chief designer – the consumer.

### Contents

#### cooking

- Ranges
- Electric Wall Ovens
- Microwave Combination Ovens
- Cooktops
- Warmer Drawers
- Microwaves
- Ventilation

#### refrigeration

- All Freezer & All Refrigerator
- 42" Built-In Refrigerators
- French Door Refrigerators
- Side-by-Side Refrigerators

#### dishcare

- Built-In Dishwashers

#### specialty

- Under-Counter Refrigerator Drawers
- Under-Counter Wine Coolers
- Under-Counter Ice Makers
- Under-Counter Trash Compactors
- Built-In Coffee Maker

#### project planning

- General Installation Guidelines
- Refrigeration Trim Kits
- Built-In-Cooking Combination Installations
- Slide-In Gas Cooktop Power Cord Relocation Instructions

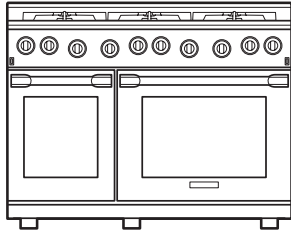
Electrolux ICON® products are available in both 20/20 and ARCAT programs, to aid in the production and accuracy of your kitchen designs.

To locate the Electrolux ICON® showroom and dealer nearest you, visit us on the web at [electroluxicon.com](http://electroluxicon.com) or call us at 1-877-4electrolux (877-435-3287).

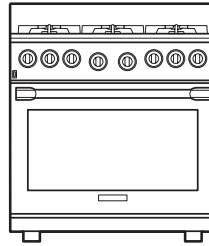


## Dual-Fuel Freestanding Ranges

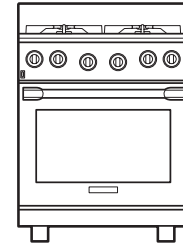
### models



48" - E48DF76EPS  
professional series



36" - E36DF76GPS  
professional series



30" - E30DF74GPS  
professional series

### features

#### Smooth-Glide™ Oven Racks

Imagine oven racks that glide with unparalleled ease and extend fully for effortless access to your meal. Designed with a centered easy-grip handle and a patented ball bearing rack system for smooth-gliding performance with the touch of a finger.

#### The Utmost in Flexibility

(E48DF76EPS)

Bring a lobster to a quick boil. Whisk a delicate béarnaise sauce. Simultaneously. Choose the burner that suits your task. From the 17,000 BTU Power Burner™ to the 8,500 - 850 BTU Precision Burner™, this rangetop provides a wealth of cooking possibilities.

#### Min-2-Max™ Sealed Burners

(E36DF76GPS, E30DF74GPS)

Burner configuration includes a versatile Min-2-Max™ sealed burner delivering anywhere from 18,000 to 450 BTUs. Thanks to the double ring configuration, you can whisk delicate sauces or bring water to a rapid boil. You decide the level of heat output by a simple turn of the burner knob.

#### Custom Convection<sup>3</sup>™ Convection Technology

By adding a third cooking element and a convection fan, heat is distributed evenly throughout the oven. Cooking every meal to perfection has never been easier.

#### Vantage Flame™

(E48DF76EPS)

The automatic re-ignition feature allows the igniters to spark spontaneously should the flame go out or become severely distorted by a draft, providing ease-of-mind while cooking.

#### Convenient Second Oven

(E48DF76EPS)

Bake bread by convection in one oven, cook a roast conventionally in the other. The self-cleaning double oven provides you with capacity and flexibility like you've never experienced before.

#### Sealed Rangetop

One look says it all. This superior gas-through ceramic glass surface is durable, smooth and easy to clean. The glass ceramic surface easily buffs to a glossy shine. Imagine the beauty this sleek, glistening rangetop will bring to your kitchen.

#### Continuous Grates

Designed for cooking multiple dishes at different temperatures on the same rangetop, continuous grates provide an ultrastable cook surface by evenly redistributing the weight. Cookware slides easily and safely from one burner to the next.

#### Extra-Large Oven Capacity

(E36DF76GPS)

Spacious 6.4 cubic foot interior supplies abundant cooking space so you can coordinate entire meals with remarkable ease.

#### Included Accessories

- Griddle
- Simmer Plate
- Wok Ring
- Broil Pan and Insert
- Stainless Steel Cleaner



## Dual-Fuel Freestanding Ranges

### model comparison chart

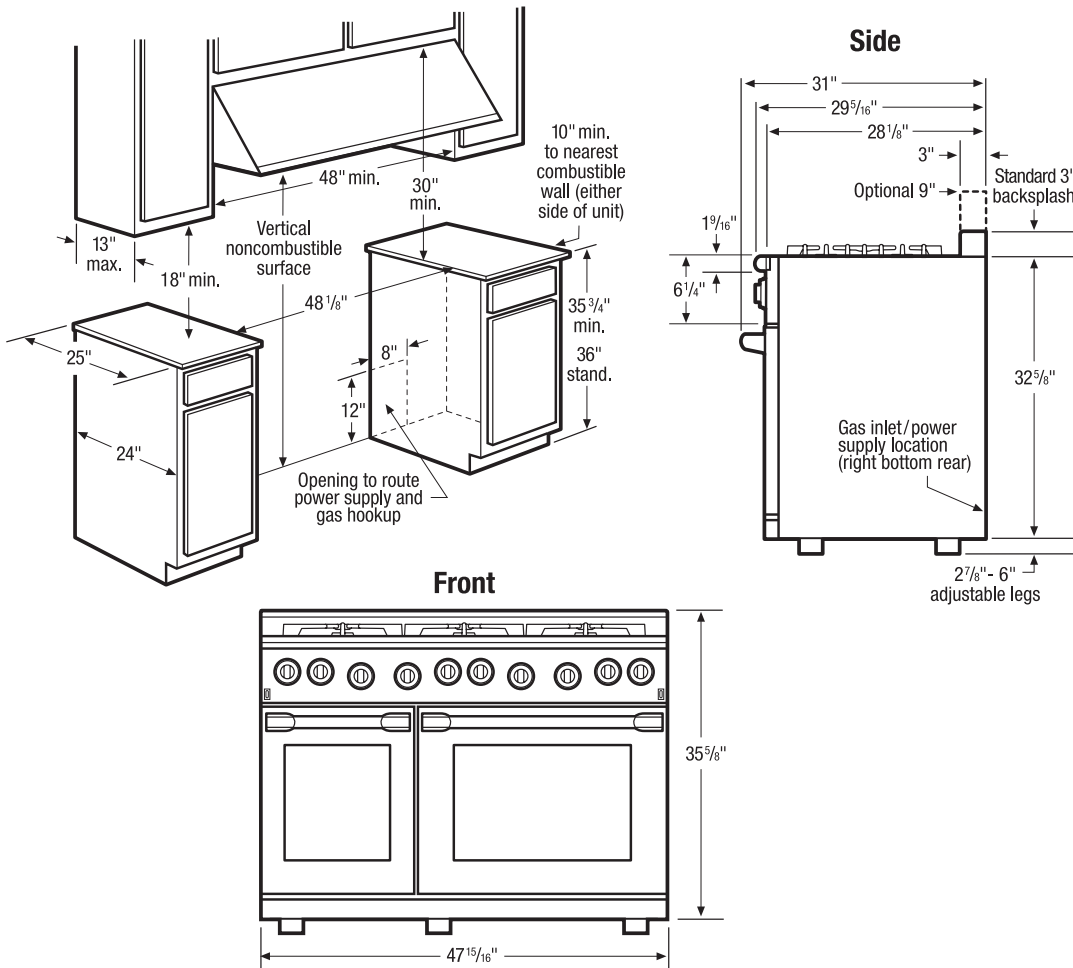
**Note:** For planning purposes only. Refer to Product Installation Guide on the web at [electroluxicon.com](http://electroluxicon.com) for detailed instructions. Specifications subject to change.

Model	E48DF76EPS	E36DF76GPS	E30DF74GPS
<b>Series</b>	Professional	Professional	Professional
<b>Nominal Width</b>	48"	36"	30"
<b>Type</b>	Dual Fuel	Dual Fuel	Dual Fuel
<b>Control Panel Features</b>			
Electronic Oven Control	Yes	Yes	Yes
Professional-Style Stainless Steel Console	Yes	Yes	Yes
Large Professional Skirted Knobs with Bezel	10	8	6
<b>Rangetop Features</b>			
Min-2-Max™ Sealed Burner (BTU)		2 (18,000 – 450)	2 (18,000 – 450)
Sealed Power Burner™ (BTU)	2 (17,000) / 2 (15,000)	2 (14,000)	1 (14,000)
Sealed Precision Burner™ (BTU)	2 (8,500 – 850)	1 (9,500) / 1 (5,000)	1 (5,000)
Continuous Grates	3	3	2
Electronic Ignition with Auto Re-Ignition	Yes		
Electronic Ignition		Yes	Yes
<b>Large Oven Cavity Features</b>			
Capacity	4.6 Cu. Ft.	6.4 Cu. Ft.	4.2 Cu. Ft.
Bake Element (Watts)	3400	3000	2500
Broil Element (Watts)	4000	4000	4000
Convection Element (Watts)	2200	2500	2500
Cobalt Blue Interior	Yes	Yes	Yes
Third Element European Convection System	Yes	Yes	Yes
Self-Clean with Door Lock	Yes	Yes	Yes
Halogen Oven Light	2	2	2
Eight-Pass Bake & Broil	Yes	Yes	Yes
Smooth-Glide™ Racks	3	3	3
Conventional Rack	1	1	1
Convection Roasting Rack		1	1
Hidden Bake Element		Yes	Yes
<b>Small Oven Cavity Features</b>			
Capacity	2.6 Cu. Ft.		
Bake Element (Watts)	2100		
Broil Element (Watts)	3000		
Convection Element (Watts)	2200		
Self-Clean with Door Lock	Yes		
Halogen Oven Light	1		
Heavy-Duty Oven Racks	2		
<b>Additional Features</b>			
Stainless Steel Backsplash	3"	6"	6"
Full Stainless Steel Side Panels	Yes	Yes	Yes
Professional Handle	Yes	Yes	Yes
Fully Adjustable, Heavy-Duty Legs	Yes	Yes	Yes
<b>Accessories</b>			
Included –			
Broil Pan and Insert	Yes	Yes	Yes
Stainless Steel Cleaner	Yes	Yes	Yes
Griddle	Yes	Yes	Yes
Wok Ring	Yes	Yes	Yes
Simmer Plate	Yes	Yes	Yes
Optional –			
9" Stainless Steel Backsplash	PN # ACCBG09-48	PN # 903104-9100	PN # 903104-9010
12" Stainless Steel Backsplash		PN # 903105-9100	PN # 903105-9010
Stainless Steel Kick Plate		PN # 318352652 (4")	PN # 318352601 (4")
Stainless Steel Island Trim Kit <sup>1</sup>	PN # KIKPLT48 (2-1/2")	PN # 903106-9100	PN # 903106-9010
Black Knobs Kit		PN # 903108-9020	PN # 903108-9010
Black Gas Valve Knob	PN # 318313302		
Black Oven Temperature Knob	PN # 318365501		
Black Oven Selector Knob	PN # 318365601		
<b>Specifications*</b>			
Product Dimensions –			
Height (min. – max. includes adjustable legs)	38-1/2" – 41-5/8"	41-5/8" – 42-5/8"	41-5/8" – 42-5/8"
Width	47-15/16"	35-7/8"	29-7/8"
Depth (including handle) (with 90° door open)	31"	28-3/4" 47-3/8"	28-5/8" 45-1/2"
Cutout Dimensions –			
Height (min. – stand.)	35-3/4" – 36"	35-3/4" – 36"	35-3/4" – 36"
Width	48-1/8"	36-1/16"	30-1/16"
Depth (min. – max.)	24"	24" – 24-1/2"	24" – 24-1/2"
Gas Supply Connection Location	Right Bottom Rear	Left Bottom Rear	Center Bottom Rear
Power Supply Connection Location	Right Bottom Rear	Right Bottom Rear	Left Bottom Rear
Amps	42 @ 240 Volts	27 / 23 @ 240 / 208 Volts	27 / 23 @ 240 / 208 Volts
Minimum Circuit Required (Amps)	50	30	30
Connected Load (kW Rating)	10.0 @ 240 Volts	6.5 / 4.8 @ 240 / 208 Volts	6.5 / 4.8 @ 240 / 208 Volts
LP Gas Conversion Kit	Included	Included	Included
Shipping Weight (Approx.)	600 Lbs.	404 Lbs.	280 Lbs.

\*For further specifications and installation details refer to model-specific Planning Information page.

<sup>1</sup>For use in place of backsplash.

## Dual-Fuel Freestanding Ranges



## planning information

### For 48" model: E48DF76EPS

**Note:** For planning purposes only. Refer to Product Installation Guide on the web at [electroluxicon.com](http://electroluxicon.com) for detailed instructions. Specifications subject to change.

## Installation Specifications

- Product Weight – 540 Lbs.
- Electrical Requirements – 240 Volts, 4-wire, 60 Hertz, 50-Amp Dedicated Circuit
- Connected Load (kW Rating) @ 240 Volts = 10.0 kW
- Amps @ 240 Volts = 42 Amps
- Always consult local and national electric and gas codes.
- Range ships with 3/4" factory regulator.
- LP Gas conversion kit supplied.
- Overhead cabinetry should not exceed a 13" maximum depth.
- Allow 30" minimum clearance between top of rangetop and bottom of unprotected wood or metal overhead cabinetry.
- Absolute minimum horizontal distance between overhead cabinets installed to either side of appliance must be no less than maximum width of appliance.
- Allow 10" minimum clearance from edge of rangetop to nearest combustible wall on either side of unit.
- Allow 24" minimum clearance when bottom of wood or metal overhead cabinet is protected by not less than 1/8" flame-retardant millboard covered with not less than No. 28 MGS sheet steel, 0.015" stainless steel, 0.024" aluminum or 0.020" copper.
- To reduce risk of fire when using overhead cabinetry, install vent hood that projects horizontally a recommended minimum of 5" beyond bottom of cabinets.

## Optional Accessories

9" Stainless Steel Backsplash  
PN # ACCBG09-48

2-1/2" Stainless Steel Kick Plate  
PN # KIKPLT48

Black Gas Valve Knob  
PN # 318313302

Black Oven Temperature Knob  
PN # 318365501

Black Oven Selector Knob  
PN # 318365601



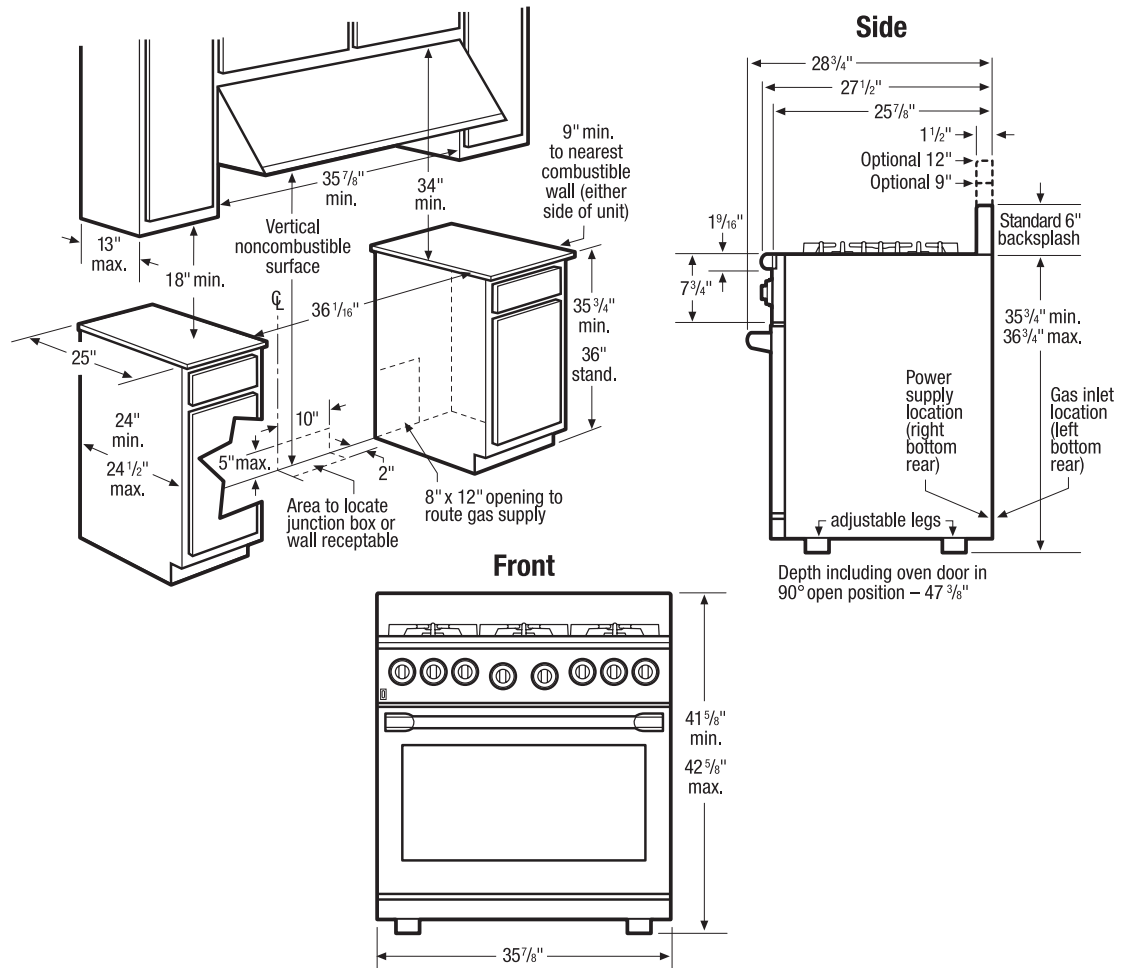


## Dual-Fuel Freestanding Ranges

### planning information

#### For 36" model: E36DF76GPS

**Note:** For planning purposes only. Refer to *Product Installation Guide* on the web at [electroluxicon.com](http://electroluxicon.com) for detailed instructions. Specifications subject to change.



### Optional Accessories

9" Stainless Steel Backsplash  
PN# 903104-9100

12" Stainless Steel Backsplash  
PN# 903105-9100

Stainless Steel Island Trim Kit  
(for use in place of backsplash)  
PN# 903106-9100

4" Stainless Steel Kick Plate  
PN# 318352652

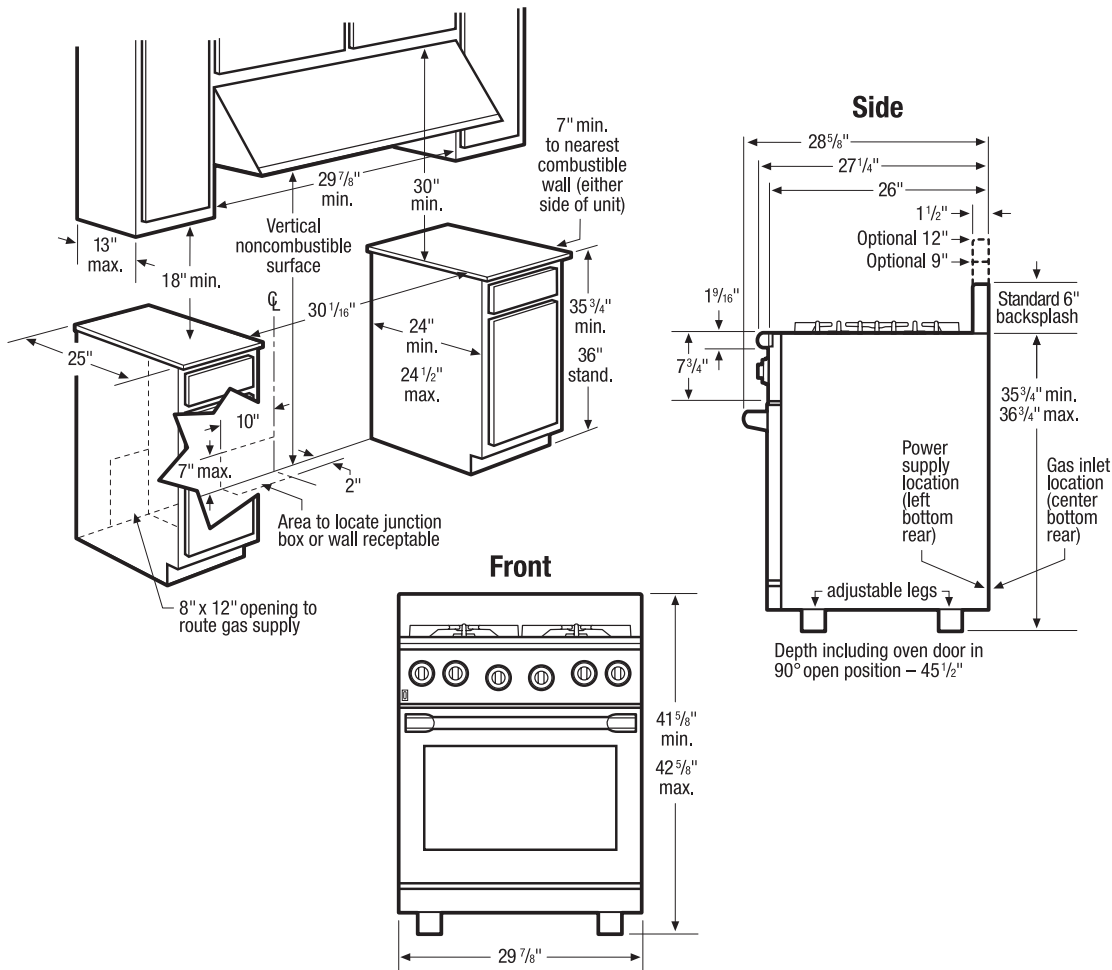
Black Knobs Kit  
PN# 903108-9020

### Installation Specifications

- Product Weight – 352 Lbs.
- Single phase 3- or 4-wire cable, 120/240 or 120/208 Volt, 60 Hertz AC only electrical supply with ground required on separate circuit fused on both sides of line.
- Connected Load (kW Rating) @ 240/208 Volts = 6.5/4.8 kW
- Amps @ 240/208 Volts = 27/23 Amps
- Recommended Circuit Breaker – 30 Amps
- Always consult local and national electric and gas codes.
- Range ships with 3/4" factory regulator.
- LP Gas conversion kit supplied.
- Overhead cabinetry should not exceed a 13" maximum depth.
- Allow 34" minimum clearance between top of rangetop and bottom of unprotected wood or metal overhead cabinetry.
- Absolute minimum horizontal distance between overhead cabinets installed to either side of appliance must be no less than maximum width of appliance.
- Allow 9" minimum clearance from edge of rangetop to nearest combustible wall on either side of unit.
- Allow 28" minimum clearance when bottom of wood or metal overhead cabinet is protected by not less than 1/8" flame-retardant millboard covered with not less than No. 28 MGS sheet steel, 0.015" stainless steel, 0.024" aluminum or 0.020" copper.
- To reduce risk of fire when using overhead cabinetry, install vent hood that projects horizontally a recommended minimum of 5" beyond bottom of cabinets.



## Dual-Fuel Freestanding Ranges



### Installation Specifications

- Product Weight – 250 Lbs.
- Single phase 3- or 4-wire cable, 120/240 or 120/208 Volt, 60 Hertz AC only electrical supply with ground required on separate circuit fused on both sides of line.
- Connected Load (kW Rating) @ 240/208 Volts = 6.5/4.8 kW
- Amps @ 240/208 Volts = 27/23 Amps
- Recommended Circuit Breaker – 30 Amps
- Always consult local and national electric and gas codes.
- Range ships with 3/4" factory regulator.
- LP Gas conversion kit supplied.
- Overhead cabinetry should not exceed a 13" maximum depth.

- Allow 30" minimum clearance between top of rangetop and bottom of unprotected wood or metal overhead cabinetry.
- Absolute minimum horizontal distance between overhead cabinets installed to either side of appliance must be no less than maximum width of appliance.
- Allow 7" minimum clearance from edge of rangetop to nearest combustible wall on either side of unit.
- Allow 24" minimum clearance when bottom of wood or metal overhead cabinet is protected by not less than 1/8" flame-retardant millboard covered with not less than No. 28 MGS sheet steel, 0.015" stainless steel, 0.024" aluminum or 0.020" copper.
- To reduce risk of fire when using overhead cabinetry, install vent hood that projects horizontally a recommended minimum of 5" beyond bottom of cabinets.

## planning information

### For 30" model: E30DF76GPS

**Note:** For planning purposes only. Refer to Product Installation Guide on the web at [electroluxicon.com](http://electroluxicon.com) for detailed instructions. Specifications subject to change.

### Optional Accessories

9" Stainless Steel Backsplash  
PN # 903104-9010

12" Stainless Steel Backsplash  
PN # 903105-9010

Stainless Steel Island Trim Kit  
(for use in place of backsplash)  
PN # 903106-9010

4" Stainless Steel Kick Plate  
PN # 318352601

Black Knobs Kit  
PN # 903108-9010



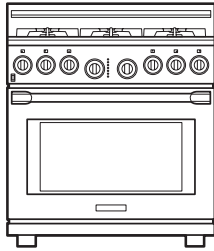




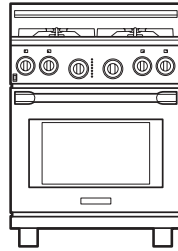
# cooking

## Full-Gas Freestanding Ranges

### models



36" - E36GF76HPS  
professional series



30" - E30GF74HPS  
professional series

### features

#### Smooth-Glide™ Oven Racks

Imagine oven racks that glide with unparalleled ease and extend fully for effortless access to your meal. Designed with a centered easy-grip handle and a patented ball bearing rack system for smooth-gliding performance with the touch of a finger.

#### Min-2-Max™ Sealed Burner

Burner configuration includes a versatile Min-2-Max™ sealed burner delivering anywhere from 18,000 to 450 BTUs. Thanks to the double ring configuration, you can whisk delicate sauces or bring water to a rapid boil. You decide the level of heat output by a simple turn of the burner knob.

#### Sealed Rangetop

One look says it all. This superior gas-through ceramic glass surface is durable, smooth and easy to clean. The glass ceramic surface easily buffs to a glossy shine. Imagine the beauty this sleek, glistening rangetop will bring to your kitchen.

#### Included Accessories

- Griddle
- Simmer Plate
- Wok Ring
- Broil Pan and Insert
- Stainless Steel Cleaner

#### Custom Convection<sup>3</sup>™ Convection Technology

By adding a third cooking element and a convection fan, heat is distributed evenly throughout the oven. Cooking every meal to perfection has never been easier.

#### Continuous Grates

Designed for cooking multiple dishes at different temperatures on the same rangetop, continuous grates provide an ultrastable cook surface by evenly redistributing the weight. Cookware slides easily and safely from one burner to the next.

#### Extra-Large Oven Capacity

(E36GF76HPS)

Spacious 6.4 cubic foot interior supplies abundant cooking space so you can coordinate entire meals with remarkable ease.



## Full-Gas Freestanding Ranges

### model comparison chart

**Note:** For planning purposes only. Refer to Product Installation Guide on the web at [electroluxicon.com](http://electroluxicon.com) for detailed instructions. Specifications subject to change.

Model	E36GF76HPS	E30GF74HPS
Series	Professional	Professional
Nominal Width	36"	30"
Type	Natural Gas (only)	Natural Gas / LP Gas (with Conversion Kit)
<b>Control Panel Features</b>		
Manual Oven Control	Yes	Yes
Professional-Style Stainless Steel Console	Yes	Yes
Large Professional Skirted Knobs with Bezel	8	6
<b>Rangetop Features</b>		
Min-2-Max™ Dual-Ring Sealed Burner (BTU)	1 (18,000 – 450)	1 (18,000 – 450)
Sealed Power Burner™ (BTU)	2 (14,000)	1 (14,000)
Sealed Precision Burner™ (BTU)	2 (9,500)	1 (9,500)
Sealed Precision Burner™ (BTU)	1 (5,000)	1 (5,000)
Full-Length Grates (front to back)	3	2
Electronic Ignition	Yes	Yes
<b>Oven Cavity Features</b>		
Capacity	6.4 Cu. Ft.	4.2 Cu. Ft.
Manual-Select Fan Convection Cooking Mode	Yes	Yes
Bake Burner (BTU)	1 (34,000)	1 (18,000)
Broil Burner (BTU)	1 (14,000)	1 (11,500)
Convection Burner (Watts)	350	350
Cobalt Blue Interior	Yes	Yes
Self-Cleaning with Door Lock	Yes	Yes
Cook Modes –		
Bake	Yes	Yes
Broil	Yes	Yes
Convection Bake	Yes	Yes
Convection Roast	Yes	Yes
Halogen Oven Lights	2	2
Smooth-Glide™ Racks	2	2
Conventional Rack	1	1
Additional Features		
6" Stainless Steel Backsplash	Yes	Yes
Full Stainless Steel Side Panels	Yes	Yes
Professional Handle	Yes	Yes
Fully Adjustable Leveling Legs	Yes	Yes
<b>Accessories</b>		
Included –		
Broil Pan and Insert	Yes	Yes
Stainless Steel Cleaner	Yes	Yes
Griddle	Yes	Yes
Wok Ring	Yes	Yes
Simmer Plate	Yes	Yes
Optional –		
9" Stainless Steel Backsplash	PN # 903134-9100	
4" Stainless Steel Kickplate	PN # 318352652	PN # 318352601
Stainless Steel Island Trim Kit <sup>1</sup>	PN # 903132-9100	PN # 903132-9010
Black Knobs Kit	PN # 903108-9020	PN # 903108-9010
<b>Specifications*</b>		
Product Dimensions –		
Height (min. – max. includes adjustable legs)	41-5/8" – 42-5/8"	41-5/8" – 42-5/8"
Width	35-7/8"	29-7/8"
Depth (including handle) (with 90° door open)	28-1/2" 47-3/8"	28-1/2" 45-1/2"
Cutout Dimensions –		
Height	35-3/4" min. – 36" stand.	35-3/4" min. – 36" stand.
Width	36-1/16"	30-1/16"
Depth	24" min. – 24-1/2" max.	24" min. – 24-1/2" max.
Gas Supply Connection Location	Center Bottom Rear	Center Bottom Rear
Power Supply Connection Location	Right Bottom Rear	Left Bottom Rear
LP Gas Conversion Kit		Supplied
Voltage Rating	120V/60Hz/15 or 20A	120V/60Hz/15 or 20A
Connected Load (kW Rating)@ 120 Volts	0.6	0.6
Shipping Weight (Approx.)	404 Lbs.	289 Lbs.

\*For further specifications and installation details refer to model-specific Planning Information page.

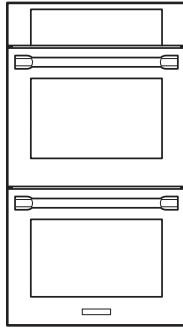
<sup>1</sup>For use in place of backsplash.



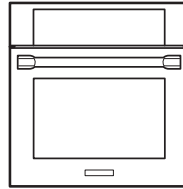
## cooking

### Electric Wall Ovens

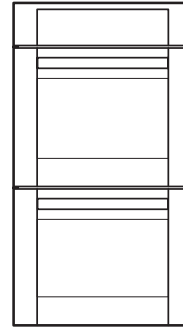
#### models



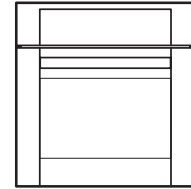
E30EW85GPS  
professional series



E30EW75GPS  
professional series



E30EW85GSS  
designer series



E30EW75GSS  
designer series

#### features

##### Wave-Touch™ Controls

Envision a control panel that allows you to plan how and when your meal will be cooked. One simple touch activates the control panel, providing you with access to all operating functions. After you've programmed the settings, the inactive lights fade away — along with your worries.

##### Smooth-Glide™ Oven Racks

Imagine oven racks that glide with unparalleled ease and extend fully for effortless access to your meal. Designed with a centered easy-grip handle and a patented ball bearing rack system for smooth-gliding performance with the touch of a finger.

##### Cool-Touch™ Oven Door

Introducing the coolest oven door in the industry, literally. The cool-to-the-touch all glass door design has an expansive glass front panel that allows you to clearly see what you are cooking. And because it is all glass, when it comes time for cleanup, spills and splatters wipe up with ease.

##### Custom Convect<sup>3</sup>™ Convection Technology

Premium performance offers more cooking choices. By using a third cooking element paired with a variable speed fan and temperature setting options, heat is distributed evenly throughout the oven.

##### Custom-Set™ Options with Temperature Probe

Seven cooking modes with eight cooking functions put you in charge of simplifying your cooking. Let the temperature probe monitor the progress of your meat dishes while you prepare your side dishes, or better yet, visit with your family or dinner guests. No need to keep checking — the temperature probe automatically indicates when cooking is complete.

##### Theatre Lighting

Transition halogen lighting gradually illuminates the oven interior, providing you with a more accurate view of the food you are preparing so you can have meals that turn out just the way you planned.

##### Hidden Bake Element

Lower heating element is protected by the porcelain bottom of the cavity, which allows for safe and effective cleanup.



Electric Wall Ovens

model comparison chart

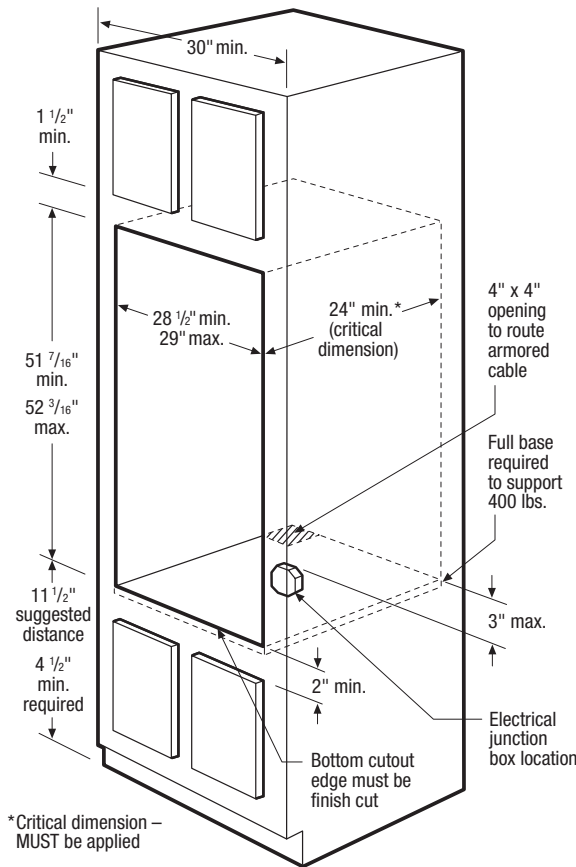
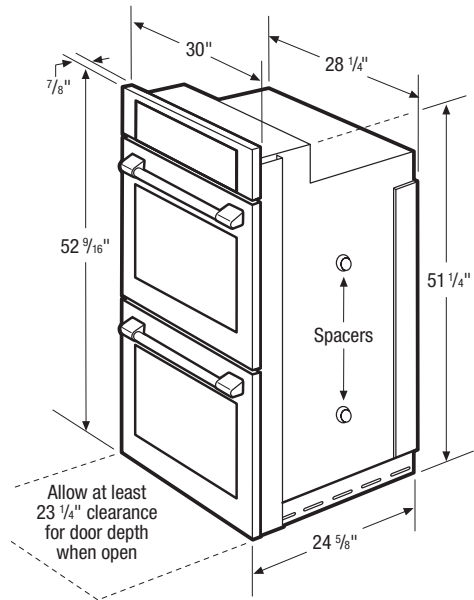
**Note:** For planning purposes only. Refer to Product Installation Guide on the web at [electroluxicon.com](http://electroluxicon.com) for detailed instructions. Specifications subject to change.

Model	E30EW85GPS	E30EW75GPS	E30EW85GSS	E30EW75GSS
Series	Professional	Professional	Designer	Designer
Nominal Width	30"	30"	30"	30"
Type	Built-in / Double	Built-in / Single	Built-in / Double	Built-in / Single
Star-K® Certified (Sabbath Mode)	Yes	Yes	Yes	Yes
A.D.A. Compliant		Yes		Yes
<b>Oven Features</b>				
Oven Capacity	Upper – 4.2 Cu. Ft. Lower – 4.2 Cu. Ft.	4.2 Cu. Ft.	Upper – 4.2 Cu. Ft. Lower – 4.2 Cu. Ft.	4.2 Cu. Ft.
Cobalt Blue Interior	Yes	Yes	Yes	Yes
CustomConvect 3™ Convection System	Yes	Yes	Yes	Yes
Temperature Probe	Yes	Yes	Yes	Yes
Hidden Bake Element	Yes	Yes	Yes	Yes
Convection Conversion	Yes	Yes	Yes	Yes
Preheat Control	Yes	Yes	Yes	Yes
Keep Warm	Yes	Yes	Yes	Yes
Light Clean / Heavy Clean	Yes	Yes	Yes	Yes
Self-Cleaning with Auto-Safety Latch™	Yes	Yes	Yes	Yes
Self-Cleaning Cycle	Yes	Yes	Yes	Yes
Self-Cleaning Rack Removal Alert	Yes	Yes	Yes	Yes
Dual Radiant™ Baking System	Yes	Yes	Yes	Yes
Eight-Pass Broil & Radiant Bake Element	Yes	Yes	Yes	Yes
Smooth-Glide™ Racks	6	3	6	3
Standard Racks	2	1	2	1
Halogen Lighting	Yes	Yes	Yes	Yes
Porcelain Broiler Pan with Grill	Yes	Yes	Yes	Yes
<b>Control Panel Features</b>				
Electronic Oven Control	Yes	Yes	Yes	Yes
Electronic Clock / Timer	Yes	Yes	Yes	Yes
Electronic Temperature Display	Yes	Yes	Yes	Yes
Glass Wave-Touch™ Control with Blue LED Display	Yes	Yes	Yes	Yes
Toggle Control	Yes	Yes	Yes	Yes
Automatic Oven – Delay, Cook & Off	Yes	Yes	Yes	Yes
Electronic Lockout	Yes	Yes	Yes	Yes
Automatic Oven Shutoff – 12 Hour	Yes	Yes	Yes	Yes
Auto Set™ Control – Convection	Yes		Yes	
Programmable for °F or °C	Yes	Yes	Yes	Yes
Integrated Halogen Oven Light – Touch Pad	Yes	Yes	Yes	Yes
<b>Door Style</b>				
Cool-Touch™ Door	Yes	Yes	Yes	Yes
Removable Door	Yes	Yes	Yes	Yes
Extra-Large Oven Door Window	Yes	Yes	Yes	Yes
Stainless Door Handle / Towel Bar	Yes	Yes	Yes	Yes
<b>Specifications*</b>				
Product Dimensions –				
Height	52-9/16"	29-1/4"	52-9/16"	29-1/4"
Width	30"	30"	30"	30"
Depth (to door front)	24-5/8"	24-5/8"	24-5/8"	24-5/8"
(with 90° door open)	47-7/8"	47-7/8"	47-7/8"	47-7/8"
Cutout Dimensions –				
Height (min.)	51-7/16"	28-1/2"	51-7/16"	28-1/2"
(max.)	52-3/16"	28-7/8"	52-3/16"	28-7/8"
Width (min.)	28-1/2"	28-1/2"	28-1/2"	28-1/2"
(max.)	29"	29"	29"	29"
Depth (min.)	24"	24"	24"	24"
Power Supply Location	Left Bottom Rear	Left Bottom Rear	Left Bottom Rear	Left Bottom Rear
Approved for Under-Counter Installation <sup>1</sup>	Yes	Yes	Yes	Yes
Amps @ 240 / 208 Volts	33.3 / 28.9	16.6 / 14.4	33.3 / 28.9	16.6 / 14.4
Connected Load (kW Rating) @ 240 / 208 Volts	8.0 / 6.0	4.0 / 3.0	8.0 / 6.0	4.0 / 3.0
Bake Element (Watts @ 240 / 208 Volts)	2200	2200	2200	2200
Broil Element (Watts @ 240 / 208 Volts)	4000	4000	4000	4000
Armored Electrical Cable	Included	Included	Included	Included
Shipping Weight (Approx.)	359 Lbs.	196 Lbs.	353 Lbs.	193 Lbs.

\*For further specifications and installation details refer to model-specific Planning Information page.

<sup>1</sup>For complete approval details, refer to Combination Installations section on model-specific Planning Information page.

## Electric Wall Ovens



## planning information

### For models: E30EW85GPS E30EW85GSS

**Note:** For planning purposes only. Refer to Product Installation Guide on the web at [electroluxicon.com](http://electroluxicon.com) for detailed instructions. Specifications subject to change.

Installation drawing shown with professional series model.

## Installation Specifications

- Product Weights – (E30EW85GPS) 334 Lbs. / (E30EW85GSS) 328 Lbs.
- Single phase 3- or 4-wire cable, 120/240 or 120/208 Volt, 60 Hertz AC only electrical supply with ground required on separate circuit fused on both sides of line.
- Connected Load (kW Rating) @ 240/208 Volts = 8.0/6.0 kW
- Amps @ 240/208 Volts = 33.3/28.9 Amps
- Always consult local and national electric codes.
- Minimum 23-1/4" clearance for oven door depth when open.
- Suggested distance from floor is 11-1/2". Minimum required distance is 4-1/2".
- Minimum 24" deep cutout dimension is critical for proper installation, to ensure that oven's faceplate will fit flush against cabinet front.
- Full oven base of solid plywood or similar material required, capable of supporting 400 Lbs.
- Base must be level and cabinet front must be square with finish-cut bottom edge.
- Double Wall Ovens are NOT approved to be used in stackable or side-by-side installation.

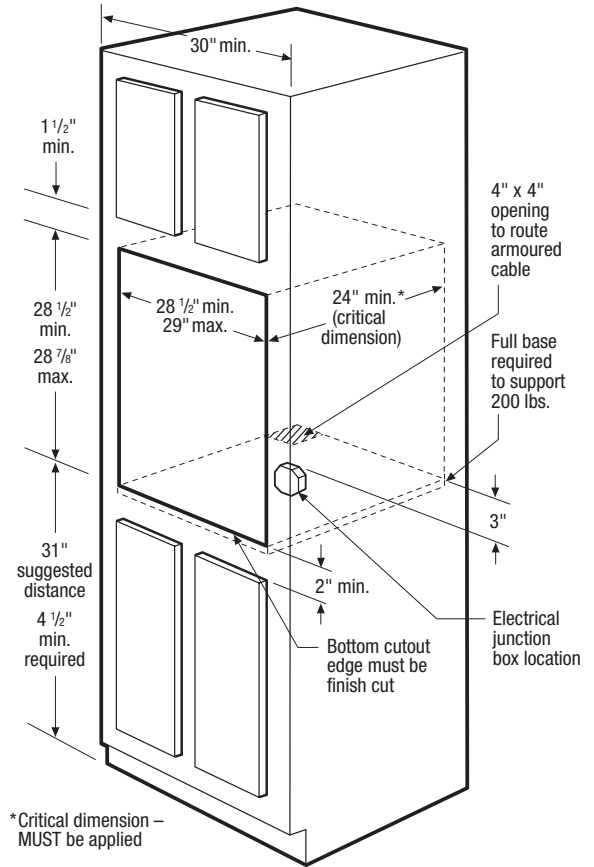
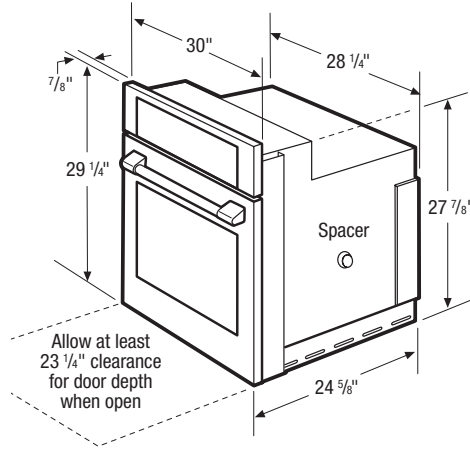




planning information

**For models:**  
E30EW85GPS  
E30EW85GSS

**Note:** For planning purposes only. Refer to Product Installation Guide on the web at [electroluxicon.com](http://electroluxicon.com) for detailed instructions. Specifications subject to change.



Installation drawing shown with professional series model.

**Installation Specifications**

- Product Weights – (E30EW75GPS) 178 Lbs. / (E30EW75GSS) 175 Lbs.
- Single phase 3- or 4-wire cable, 120 / 240 or 120 / 208 Volt, 60 Hertz AC only electrical supply with ground required on separate circuit fused on both sides of line.
- Connected Load (kW Rating) @ 240 / 208 Volts = 4.0 / 3.0 kW
- Amps @ 240 / 208 Volts = 16.6 / 14.4 Amps
- Always consult local and national electric codes.
- Minimum 23-1/4" clearance for oven door depth when open.
- Suggested distance from floor is 31". Minimum required distance is 4-1/2".
- Minimum 24" deep cutout dimension is critical for proper installation, to ensure that oven's faceplate will fit flush against cabinet front.
- Full oven base of solid plywood or similar material required, capable of supporting 200 Lbs.
- Base must be level and cabinet front must be square with finish-cut bottom edge.

**Combination Installations**

For installation details refer to Project Planning Section.

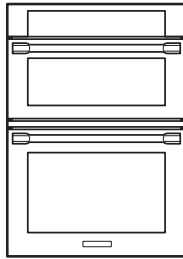
- Single Wall Ovens are NOT approved to be used in stackable or side-by-side installation.
- Single Wall Ovens are approved to be used alone in under-counter installation or beneath Electrolux ICON® gas cooktop models E36GC70FSS and E30GC70FSS; and Electrolux ICON® electric cooktop models E36IC75FSS, E30IC75FSS, E36IC80ISS, E30IC80ISS, E36EC70FSS and E30EC70FSS. (Refer to Gas or Electric Cooktop Installation Over 30" Electric Single Wall Oven page.)
- Gas and electric cooktop models NOT approved for use in this installation are E36GC75GSS, E36EC75ESS, E36EC75HSS, E48GC76EPS, E36GC76GPS, E30GC74GPS, E30EC65ESS and E36EC65ESS.
- Single Wall Ovens are approved to be used in combination with any Electrolux ICON® Warmer Drawer. (For Combination Installation Specifications refer to model-specific Warmer Drawer Planning Information page.)
- Single Wall Ovens are approved to be used in combination with any Electrolux ICON® High-Speed Oven or Built-In Microwave. (Refer to model-specific Combination Installation page.)



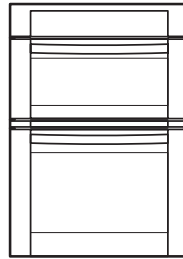


## Microwave Combination Ovens

### models



E30MC75JPS  
professional series



E30MC75JSS  
designer series

### features

#### Wave-Touch™ Controls

Envision a control panel that allows you to plan how and when your meal will be cooked. One simple touch activates the control panel, providing you with access to all operating functions. After you've programmed the settings, the inactive lights fade away — along with your worries.

#### Automatic Cooking Options

The microwave oven features 12 Auto Cook options, 3 Auto Reheat options and 6 Auto Defrost options for amazing flexibility.

#### Smooth-Glide™ Oven Racks

Imagine oven racks that glide with unparalleled ease and extend fully for effortless access to your meal. Designed with a centered easy-grip handle and a patented ball bearing rack system for smooth-gliding performance with the touch of a finger.

#### Cool-Touch™ Oven Door

Introducing the coolest oven door in the industry, literally. The cool-to-the-touch all glass door design has an expansive glass front panel that allows you to clearly see what you are cooking. And because it is all glass, when it comes time for cleanup, spills and splatters wipe up with ease.

#### Custom Convect<sup>3</sup>™ Convection Technology

Premium performance offers more cooking choices. By using a third cooking element paired with a variable speed fan and temperature setting options, heat is distributed evenly throughout the oven.

#### Custom-Set™ Options with Temperature Probe

Seven cooking modes with eight cooking functions put you in charge of simplifying your cooking. Let the temperature probe monitor the progress of your meat dishes while you prepare your side dishes, or better yet, visit with your family or dinner guests. No need to keep checking — the temperature probe automatically indicates when cooking is complete.

#### Theatre Lighting

Transition halogen lighting gradually illuminates the oven interior, providing you with a more accurate view of the food you are preparing so you can have meals that turn out just the way you planned.

#### Hidden Bake Element

Lower heating element is protected by the porcelain bottom of the cavity, which allows for safe and effective cleanup.



## Microwave Combination Ovens

### model comparison chart

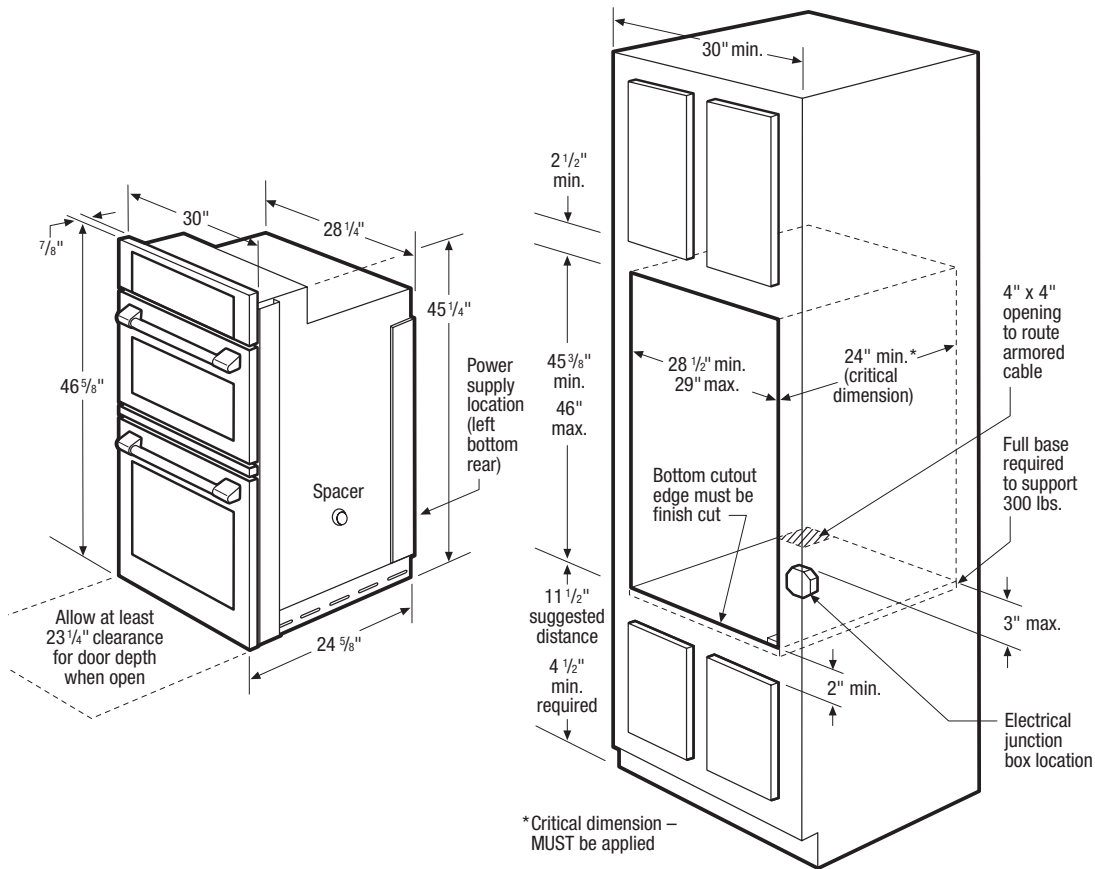
**Note:** For planning purposes only. Refer to *Product Installation Guide* on the web at [electroluxicon.com](http://electroluxicon.com) for detailed instructions. Specifications subject to change.

Model	E30MC75JPS	E30MC75JSS
<b>Series</b>	Professional	Designer
<b>Nominal Width</b>	30"	30"
<b>Type</b>	Built-In	Built-In
<b>Star-K® Certified (Sabbath Mode)</b>	Yes	Yes
<b>Microwave Features</b>		
<b>Oven Cavity</b>	1.5 Cu. Ft.	1.5 Cu. Ft.
<b>Watts</b>	900	900
<b>Stainless Steel Interior</b>	Yes	Yes
<b>Interior Krypton Light</b>	Yes	Yes
<b>Porcelain Enamel Turntable</b>	Yes	Yes
<b>Microwave Control Options</b>		
<b>Wave-Touch™ Electronic Controls</b>	Yes	Yes
<b>VFD Front Display with Blue Indicators</b>	Yes	Yes
<b>Electronic Clock &amp; Timer</b>	Yes	Yes
<b>Humidity Sensor</b>	Yes	Yes
<b>Power Levels / Touch Pad Controls</b>	11 / 37	11 / 37
<b>Auto Start</b>	Yes	Yes
<b>Auto Defrost Options</b>	6	6
<b>Auto Cook Options –</b>		
Pizza Slice (1), Snacks (3), Kid's Meals (3)	12	12
Softening / Melt (4), Beverage (1)		
<b>Convection Cook Categories –</b>		
Auto Broil (4), Auto Roast (4), Auto Bake (4)	12	12
<b>Auto Reheat Categories –</b>		
Breads / Muffins (2), Pasta (1)	3	3
<b>Sensor One Touch Categories –</b>		
Cook (5), Reheat (1), Popcorn (2), Baked Potato (1), Frozen Vegetables (1), Fresh Vegetables (2)	12	12
<b>Stage Cooking Options</b>	4	4
<b>Add 30 Seconds</b>	Yes	Yes
<b>Electronic Lockout</b>	Yes	Yes
<b>Adjustable Sound Level for Timers / Reminders</b>	Yes	Yes
<b>More / Less Function</b>	Yes	Yes
<b>Power Failure Indicator</b>	Yes	Yes
<b>Oven Features</b>		
<b>Oven Cavity</b>	4.2 Cu. Ft.	4.2 Cu. Ft.
<b>Cobalt Blue Interior</b>	Yes	Yes
<b>Removable Cool-Touch™ Door w/ Extra-Large Window</b>	Yes	Yes
<b>CustomConvec 3™ Convection System</b>	Yes	Yes
<b>Hidden Bake Element</b>	Yes	Yes
<b>Convection Conversion</b>	Yes	Yes
<b>Keep Warm</b>	Yes	Yes
<b>Light Clean / Heavy Clean</b>	Yes	Yes
<b>Self-Cleaning with Auto-Safety Latch™</b>	Yes	Yes
<b>Self-Cleaning Cycle with Rack Removal Alert</b>	Yes	Yes
<b>Dual Radiant™ Baking System</b>	Yes	Yes
<b>Eight-Pass Broil &amp; Radiant Bake Element</b>	Yes	Yes
<b>Smooth-Glide™ Racks / Standard Racks</b>	3 / 1	3 / 1
<b>Dual-Halogen Theatre Lighting</b>	Yes	Yes
<b>Oven Controls</b>		
<b>Wave-Touch™ Electronic Controls</b>	Yes	Yes
<b>Electronic Clock / Timer / Temperature Display</b>	Yes	Yes
<b>Automatic Oven – Delay, Cook &amp; Off</b>	Yes	Yes
<b>Electronic Lockout</b>	Yes	Yes
<b>Automatic Oven Shutoff – 12 Hour</b>	Yes	Yes
<b>Auto Set™ Control – Convection</b>	Yes	Yes
<b>Integrated Halogen Oven Light – Touch Pad</b>	Yes	Yes
<b>Specifications*</b>		
<b>Microwave Cavity Dimensions (H x W x D)</b>	9-5/8" x 16-1/8" x 16-1/8"	9-5/8" x 16-1/8" x 16-1/8"
<b>Oven Cavity Dimensions (H x W x D)</b>	16-1/2" x 24-1/8" x 18-1/32"	16-1/2" x 24-1/8" x 18-1/32"
<b>Product Dimensions –</b>		
<b>Height</b>	46-5/8"	46-5/8"
<b>Width</b>	30"	30"
<b>Depth (to door front)</b>	24-5/8"	24-5/8"
(with 90° door open)	47-7/8"	47-7/8"
<b>Cutout Dimensions –</b>		
<b>Height (min.)</b>	45-3/8"	45-3/8"
<b>(max.)</b>	46"	46"
<b>Width (min.)</b>	28-1/2"	28-1/2"
<b>(max.)</b>	29"	29"
<b>Depth (min.)</b>	24"	24"
<b>Power Supply Connection Location</b>	Left Bottom Rear	Left Bottom Rear
<b>Connected Load (kW Rating) @ 240 / 208 Volts</b>	7.1 / 6.1	7.1 / 6.1
<b>Amps @ 240 / 208 Volts</b>	30 / 30	30 / 30
<b>Minimum Circuit Required (Amps)</b>	40	40
<b>Shipping Weight (Approx.)</b>	250	250

\*For further specifications and installation details refer to model-specific Planning Information page.



## Microwave Combination Ovens



## planning information

**For models:**  
**E30MC75JPS**  
**E30MC75JSS**

**Note:** For planning purposes only. Refer to Product Installation Guide on the web at [electroluxicon.com](http://electroluxicon.com) for detailed instructions. Specifications subject to change.

Installation drawing shown with professional series model.

## Installation Specifications

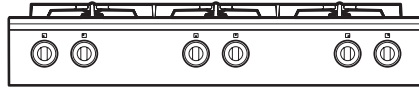
- Product Weight – 240 Lbs.
- Single phase 3- or 4-wire cable, 120/240 or 120/208 Volt, 60 Hertz AC only electrical supply with ground required on separate circuit fused on both sides of line.
- Connected Load (kW Rating) @ 240/208 Volts = 7.1/6.1 kW
- Amps @ 240/208 Volts = 30/30 Amps
- Recommended Circuit Breaker – 40 Amps
- Always consult local and national electric codes.
- Minimum 23-1/4" clearance for oven door depth when open.
- Suggested distance from floor is 11-1/2". Minimum required distance is 4-1/2".
- Minimum 24" deep cutout dimension is critical for proper installation, to ensure that oven's faceplate will fit flush against cabinet front.
- Full oven base of solid plywood or similar material required, capable of supporting 300 Lbs.
- Base must be level and cabinet front must be square.
- Microwave Combination Oven is NOT approved to be used in stackable or side-by-side installation.



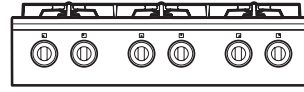


## Gas and Electric Slide-In Cooktops

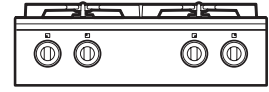
### models



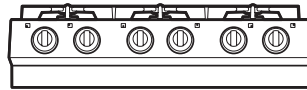
48" - E48GC76EPS



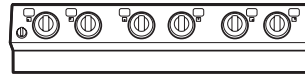
36" - E36GC76GPS



30" - E30GC74GPS



36" - E36GC75GSS



36" - E36EC75HSS

### gas features

#### Included Accessories

- Griddle
- Simmer Plate
- Wok Ring

#### The Utmost in Flexibility

(E48GC76EPS, E36GC76GPS, E36GC75GSS)

Bring a lobster to a quick boil. Whisk a delicate béarnaise sauce. Simultaneously. Six sealed burners designed to suit your task. From up to 18,000 to 450 BTUs this cooktop provides a wealth of cooking possibilities.

#### Four Sealed Burners

(E30GC74GPS)

Designed for cooking multiple dishes at varying temperatures on a single cooktop. Includes: two 18,000-450 BTU Min-2-Max™ burners, one 14,000 BTU Power Burner™ and one 5,000 BTU Precision Burner™.

#### Min-2-Max™ Sealed Burners

(E36GC76GPS, E36GC75GSS, E30GC74GPS)

Burner configuration includes a versatile Min-2-Max™ sealed burner delivering anywhere from 18,000 to 450 BTUs. Thanks to the double ring configuration, you can whisk delicate sauces or bring water to a rapid boil. You decide the level of heat output by a simple turn of the burner knob.

#### Expandable, Flexible Six Element Configuration

Concentric rings and bridge elements are clearly marked on the surface. Combinations allow the user to cook with a variety of pan shapes and sizes at up to 4400 watts.

#### Ceramic Smoothtop Glass

One look says it all. This superior ceramic smoothtop glass surface is durable, smooth and easy to clean.

### electric features

#### Included Accessories

- Griddle

#### Vantage Flame™

(E48GC76EPS)

The automatic re-ignition feature allows the igniters to spark spontaneously should the flame go out or become severely distorted by a draft, providing ease-of-mind while cooking.

#### Sealed Cooktop

Cleanup is convenient with a black porcelain-coated area beneath the burners to catch spills.

#### Continuous Grates

Designed for cooking multiple dishes at different temperatures on the same rangetop, continuous grates provide an ultrastable cook surface by evenly redistributing the weight. Cookware slides easily and safely from one burner to the next.

#### Professional-Style Controls

Large professional-feel, front-mounted control knobs provide easy and accurate settings. 270 degree rotation offers superior flame control. Optional black knobs available.

#### Professional-Style Knobs with Digital Display

Ergonomically designed for visibility and comfort. Large, professional-style knobs and precise digital display eliminate guesswork while cooking. Optional Black Knobs Kit available.

#### Easy to Clean

The glass ceramic surface easily buffs to a glossy shine. Imagine the beauty this sleek, glistening cooktop will bring to your kitchen.



## Gas and Electric Slide-In Cooktops

### model comparison chart

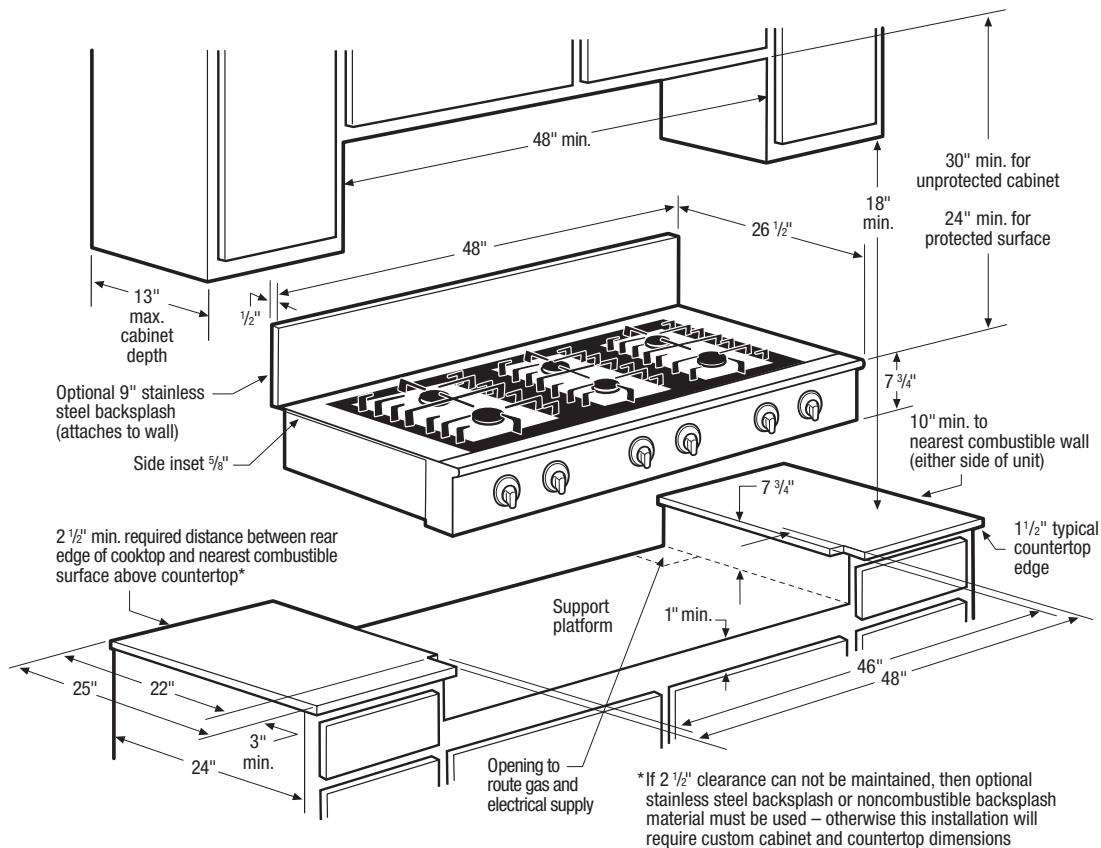
**Note:** For planning purposes only. Refer to Product Installation Guide on the web at [electroluxicon.com](http://electroluxicon.com) for detailed instructions. Specifications subject to change.

Model	E48GC76EPS	E36GC76GPS	E30GC74GPS	E36GC75GSS	E36EC75HSS
Nominal Width	48"	36"	30"	36"	36"
Type	Gas	Gas	Gas	Gas	Electric
Configuration	6 Sealed Burners	6 Sealed Burners	4 Sealed Burners	6 Sealed Burners	6 Radiant Elements
A.D.A. Compliant		Yes	Yes	Yes	Yes
<b>Gas Features</b>					
Formed Stainless Steel Platform	Yes	Yes	Yes		
Black Ceramic Glass Cooktop Surface				Yes	
Large Professional Skirted Knobs with Bezel	6	6	4	6	
Min-2-Max™ Sealed Burner (BTU)		2 (18,000 – 450)	2 (18,000 – 450)	2 (18,000 – 450)	
Sealed Power Burner™ (BTU)	2 (17,000) 2 (15,000)	1 (14,000)	1 (14,000)	1 (14,000)	
Sealed Burner (BTU)		1 (13,000)		1 (13,000)	
Sealed Precision Burner™ (BTU)	2 (8,500 – 850)	1 (9,500) 1 (5,000)	1 (5,000)	1 (9,500) 1 (5,000)	
Linear Flow Burner Valves	6	6	4	Yes	
Electronic Ignition with Auto Re-Ignition	Yes			Yes	
Continuous Grates	3	3	3	3	
<b>Electric Features</b>					
Black Ceramic Smoothtop Glass Surface					Yes
Professional-Style Knobs with Digital Display					6
6" Element – 1200W					2
6" to 9" Expandable Element – 1600W/3000W					1
5" to 7" to 9" Expandable Element – 1000W/1800W/2700					1
7" / Bridge / 7" Elements – 1800W/800W/1800W					1
Hot Surface Indicator Lights (H. S. in displays)					6 Positions
Spill Control Cooktop					Yes
<b>Accessories</b>					
Included –					
Griddle	Yes	Yes	Yes	Yes	Yes
Wok Ring	Yes	Yes	Yes	Yes	
Simmer Plate	Yes	Yes	Yes	Yes	
Optional –					
9" Stainless Steel Backsplash	PN # ACCBG09-48SI	PN # 903048-9010	PN # 903048-9100	PN # 903048-9010	PN # 903048-9010
Black Gas Valve Knob	PN # 318313302				
Black Knobs Kit		PN # 903049-9120	PN # 903049-9110	PN # 903049-9120	PN # 903127-9010
Depth Adjustment Filler Kit		PN # 903051-9010	PN # 903051-9100	PN # 903051-9010	PN # 903051-9010
<b>Specifications*</b>					
Product Dimensions –					
Height	7-3/4"	7-3/4"	7-3/4"	7-3/4"	7-3/4"
Width	48"	35-7/8"	29-7/8"	35-7/8"	35-7/8"
Depth	26-1/2"	25"	25"	25-3/4"	25-3/4"
Cutout Dimensions –					
Height (beneath countertop surface)	7-3/4"	7-1/2"	7-1/2"	7-1/2"	7-1/2"
Width (at back)	46"	35-3/16"	29-3/16"	35-3/16"	35-3/16"
Width (at front)	48"	35-15/16"	29-15/16"	35-15/16"	35-15/16"
Depth (from back to notch) (of notch)	22" 3" max.	22-1/8" 1-1/8" max.	22-1/8" 1-1/8" max.	22" 1-1/8" max.	22" 1-1/8" max.
Gas Inlet	Right Rear	Right Rear	Right Rear	Right Rear	Right Rear
Power Supply Location	Right Rear	Right Rear	Right Rear	Left Rear	Right Rear
LP Gas Conversion Kit	Included	Included	Included	Included	
Voltage Rating	120V / 60 Hz / 15A	120V / 60 Hz / 15A	120V / 60 Hz / 15A	120V / 60 Hz / 15A	
Amps	0.25 (@ 120 Volts)	0.008 (@ 120 Volts)	0.008 (@ 120 Volts)	0.008 (@ 120 Volts)	49.2 / 42.6 (@ 240 / 208 Volts)
Connected Load (kW Rating)	0.03 (@ 120 Volts)	0.001 (@ 120 Volts)	0.001 (@ 120 Volts)	0.001 (@ 120 Volts)	11.8 / 8.8 (@ 240 / 208 Volts)
Electrical – Single phase 3- or 4-wire cable, 120 / 240V or 120 / 208V, 60 Hz, fused on both sides of line with ground.					Required
Electrical Cable	Included	Included	Included	Included	Included (armored)
Approved for Single Wall Oven Combination Installation <sup>1</sup>	No	No	No	No	No
Approved for Downdraft Vent Combination Installation <sup>1</sup>	Yes	Yes	Yes	Yes	Yes
Shipping Weight (Approx.)	200 Lbs.	120 Lbs.	100 Lbs.	118 Lbs.	72 Lbs.

\*For further specifications and installation details refer to model-specific Planning Information page.

<sup>1</sup>For complete approval details, refer to Combination Installations notes on model-specific Planning Information page.

## Gas and Electric Slide-In Cooktops



### Installation Specifications

- Product Weight – 190 Lbs.
- Voltage Rating – 120V/60Hz/15 Amps
- Connected Load (kW Rating) @ 120 Volts = 0.03 kW (For use on adequately wired 120V, dedicated circuit having 2-wire service with a separate ground wire. Appliance must be grounded for safe operation.)
- Amps @ 120 Volts = 0.25 Amps
- Always consult local and national electric and gas codes.
- Cooktop ships with 3/4" factory regulator.
- LP Gas conversion kit supplied.
- Plan installation to access electrical connection, gas shutoff valve, and pressure regulator from front of cabinet. Locate 120V grounded outlet and gas supply in a 30" W x 15-1/2" H area on rear wall, 10" above floor and 6" to right from center of cooktop.
- Overhead cabinetry should not exceed a 13" max. depth.
- Allow 30" minimum clearance between top of cooktop and bottom of unprotected wood or metal overhead cabinetry.
- Absolute minimum horizontal distance between overhead cabinets installed to either side of appliance must be no less than maximum width of appliance.
- Allow 24" minimum clearance when bottom of wood or metal overhead cabinet is protected by not less than 1/8" flame-retardant millboard covered with not less than No. 28 MGS sheet steel, 0.015" stainless steel, 0.024" aluminum or 0.020" copper.
- Allow 2-1/2" minimum clearance between rear edge of cooktop and nearest combustible surface above countertop. If required clearance can not be maintained, then optional stainless steel backsplash or noncombustible backsplash material must be used – otherwise installation will require custom cabinet and countertop dimensions.
- Allow 10" minimum clearance from edge of cooktop to nearest combustible wall on either side of unit.
- Drawers not recommended beneath cooktop.
- To reduce risk of fire when using overhead cabinetry, install vent hood that projects horizontally a recommended minimum of 5" beyond bottom of cabinets.

### Combination Installations

- Cooktop model E48GC76EPS is NOT approved to be used over any Electrolux ICON® Single Wall Oven.

## planning information

### For 48" gas model: E48GC76EPS

**Note:** For planning purposes only. Refer to Product Installation Guide on the web at [electroluxicon.com](http://electroluxicon.com) for detailed instructions. Specifications subject to change.

### Optional Accessories

9" Stainless Steel Backsplash  
PN # ACCBG09-48SI

Black Gas Valve Knob  
PN # 318313302



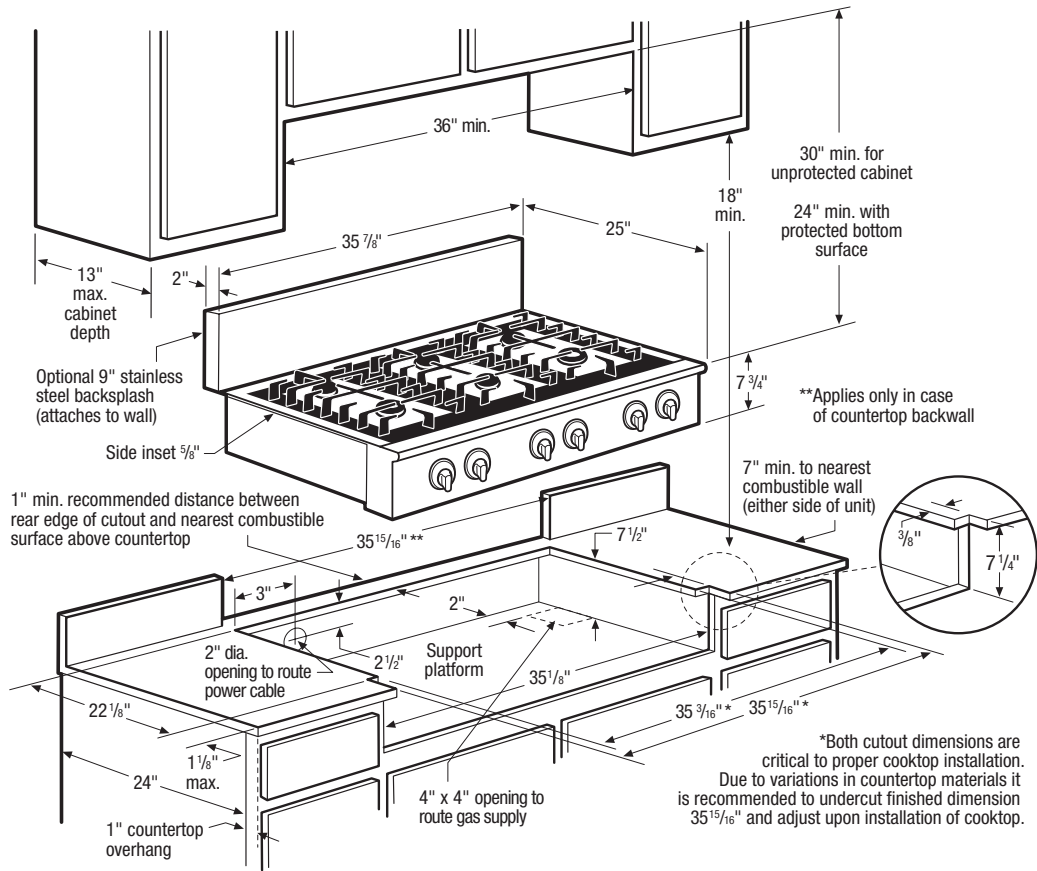


## Gas and Electric Slide-In Cooktops

### planning information

#### For 36" gas model: E36GC76GPS

**Note:** For planning purposes only. Refer to Product Installation Guide on the web at [electroluxicon.com](http://electroluxicon.com) for detailed instructions. Specifications subject to change.



### Optional Accessories

Depth Adjustment Filler Kit  
PN # 903051-9010

9" Stainless Steel Backsplash  
PN # 903048-9010

Black Knobs Kit  
PN # 903049-9120

### Installation Specifications

- Product Weight – 115 Lbs.
- Voltage Rating – 120V / 60 Hz / 15 Amp
- Connected Load (kW Rating) @ 120 Volts = 0.001 kW (For use on adequately wired 120V, dedicated circuit having 2-wire service with a separate ground wire. Appliance must be grounded for safe operation.)
- Amps @ 120 Volts = 0.008 Amps
- Always consult local and national electric and gas codes.
- Cooktop ships with 3/4" factory regulator.
- LP Gas conversion kit supplied.
- Plan installation to access electrical connection, gas shutoff valve, and pressure regulator from front of cabinet. Locate 120V grounded outlet in a 4" W x 5" H area on rear wall, 16" above floor, aligned center with cooktop.
- When replacing an existing cooktop with countertop cutout deeper than 7-1/4" and less than 8-1/2", order free Depth Adjustment Filler Kit – (PN # 903051-9010).
- Cabinet and/or countertop must completely enclose recessed portion of cooktop. Respect cutout dimensions and clearances and ensure that all contact surfaces are solid and level.
- Overhead cabinetry should not exceed a 13" max. depth.
- Allow 30" minimum clearance between top of cooktop and bottom of unprotected wood or metal overhead cabinetry.
- Absolute minimum horizontal distance between overhead cabinets installed to either side of appliance must be no less than maximum width of appliance.
- Allow 24" minimum clearance when bottom of wood or metal overhead cabinet is protected by not less than 1/8" flame-retardant millboard covered with not less than No. 28 MGS sheet steel, 0.015" stainless steel, 0.024" aluminum or 0.020" copper.
- Allow 1" minimum clearance between rear edge of cooktop and nearest combustible surface above countertop. If required clearance can not be maintained, then optional stainless steel backsplash or noncombustible backsplash material must be used – otherwise installation will require custom cabinet and countertop dimensions.
- Allow 7" minimum clearance from edge of cooktop to nearest combustible wall on either side of unit.
- Drawers not recommended beneath cooktop.
- To reduce risk of fire when using overhead cabinetry, install vent hood that projects horizontally a recommended minimum of 7" beyond bottom of cabinets.

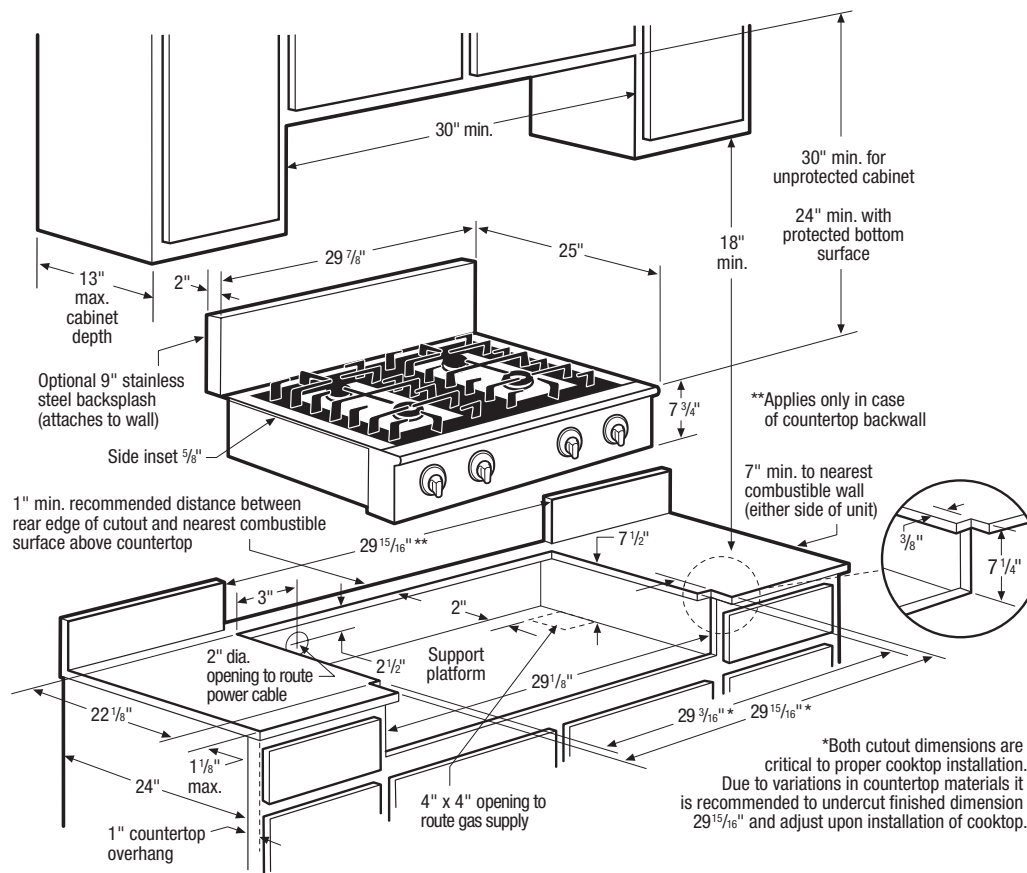
### Combination Installations

For installation details refer to Project Planning Section.

- Cooktop model E36GC76GPS is NOT approved to be used over any Electrolux ICON® Single Wall Oven.
- Cooktop model E36GC76GPS (without optional backsplash) is approved to be used in combination with an Electrolux ICON® 36" Downdraft Vent. (Refer to Slide-In Cooktop/Downdraft Vent Countertop Preparation page for installation specifications.) Proper combination installation will require cooktop power cord to be relocated to underside of unit. (For details, refer to 30" & 36" Gas Slide-In Cooktop Power Cord Relocation Instructions page or on the web at [electroluxicon.com](http://electroluxicon.com).)



## Gas and Electric Slide-In Cooktops



## planning information

### For 30\"/>

**Note:** For planning purposes only. Refer to Product Installation Guide on the web at [electroluxicon.com](http://electroluxicon.com) for detailed instructions. Specifications subject to change.

## Installation Specifications

- Product Weight – 95 Lbs.
- Voltage Rating – 120V/60Hz/15 Amp
- Connected Load (kW Rating) @ 120 Volts = 0.001 kW (For use on adequately wired 120V, dedicated circuit having 2-wire service with a separate ground wire. Appliance must be grounded for safe operation.)
- Amps @ 120 Volts = 0.008 Amps
- Always consult local and national electric and gas codes.
- Cooktop ships with 3/4" factory regulator.
- LP Gas conversion kit supplied.
- Plan installation to access electrical connection, gas shutoff valve, and pressure regulator from front of cabinet. Locate 120V grounded outlet in a 4" W x 5" H area on rear wall, 16" above floor, aligned center with cooktop.
- When replacing an existing cooktop with countertop cutout deeper than 7-1/4" and less than 8-1/2", order free Depth Adjustment Filler Kit – (PN # 903051-9100).
- Cabinet and/or countertop must completely enclose recessed portion of cooktop. Respect cutout dimensions and clearances and ensure that all contact surfaces are solid and level.
- Overhead cabinetry should not exceed a 13" max. depth.
- Allow 30" minimum clearance between top of cooktop and bottom of unprotected wood or metal overhead cabinetry.
- Absolute minimum horizontal distance between overhead cabinets installed to either side of appliance must be no less than maximum width of appliance.
- Allow 24" minimum clearance when bottom of wood or metal overhead cabinet is protected by not less than 1/8" flame-retardant millboard covered with not less than No. 28 MGS sheet steel, 0.015" stainless steel, 0.024" aluminum or 0.020" copper.
- Allow 1" minimum clearance between rear edge of cooktop and nearest combustible surface above countertop. If required clearance can not be maintained, then optional stainless steel backsplash or noncombustible backsplash material must be used – otherwise installation will require custom cabinet and countertop dimensions.
- Allow 7" minimum clearance from edge of cooktop to nearest combustible wall on either side of unit.
- Drawers not recommended beneath cooktop.
- To reduce risk of fire when using overhead cabinetry, install vent hood that projects horizontally a recommended minimum of 7" beyond bottom of cabinets.

### Combination Installations

For installation details refer to Project Planning Section.

- Cooktop model E30GC74GPS is NOT approved to be used over any Electrolux ICON® Single Wall Oven.
- Cooktop model E30GC74GPS (without optional backsplash) is approved to be used in combination with an Electrolux ICON® 30" Downdraft Vent. (Refer to Slide-In Cooktop/Downdraft Vent Countertop Preparation page for installation specifications.) Proper combination installation will require cooktop power cord to be relocated to underside of unit. (For details, refer to 30" & 36" Gas Slide-In Cooktop Power Cord Relocation Instructions page or on the web at [electroluxicon.com](http://electroluxicon.com).)

## Optional Accessories

Depth Adjustment Filler Kit  
PN # 903051-9100

9" Stainless Steel Backsplash  
PN # 903048-9100

Black Knobs Kit  
PN # 903049-9110





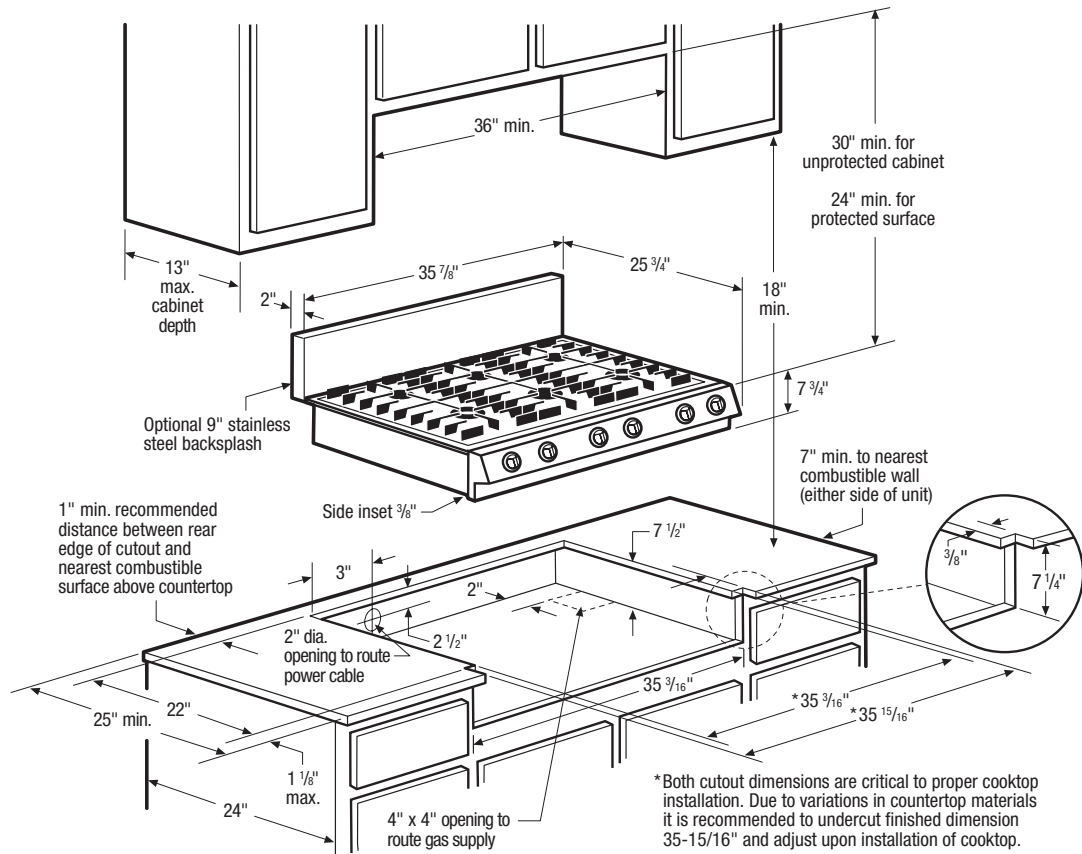
# cooktops

## Gas and Electric Slide-In Cooktops

### planning information

**For 36" gas model:  
E36GC75GSS**

**Note:** For planning purposes only. Refer to Product Installation Guide on the web at [electroluxicon.com](http://electroluxicon.com) for detailed instructions. Specifications subject to change.



### Optional Accessories

**Depth Adjustment Filler Kit**  
PN# 903051-9010

**9" Stainless Steel Backsplash**  
PN# 903048-9010

**Black Knobs Kit**  
PN# 903049-9120

### Installation Specifications

- Product Weight – 113 Lbs.
- Voltage Rating – 120V / 1.2W / 60 Hz / 15 Amp
- Connected Load (kW Rating) @ 120 Volts = 0.001 kW (For use on adequately wired 120V, dedicated circuit having 2-wire service with a separate ground wire. Appliance must be grounded for safe operation.)
- Amps @ 120 Volts = 0.008 Amps
- Always consult local and national electric and gas codes.
- Cooktop ships with 3/4" factory regulator.
- LP Gas conversion kit supplied.
- Respect critical dimensions as noted for proper installation of cooktop.
- When replacing an existing cooktop with countertop cutout deeper than 7-1/4" and less than 8-1/2", order free Depth Adjustment Filler Kit – (PN # 903051-9010).
- Overhead cabinetry should not exceed a 13" max. depth.
- Allow 30" minimum clearance between top of cooktop and bottom of unprotected wood or metal overhead cabinetry.
- Absolute minimum horizontal distance between overhead cabinets installed to either side of appliance must be no less than maximum width of appliance.
- Allow 24" minimum clearance when bottom of wood or metal overhead cabinet is protected by not less than 1/8" flame-retardant millboard covered with not less than No. 28 MGS sheet steel, 0.015" stainless steel, 0.024" aluminum or 0.020" copper.
- Allow 1" minimum clearance between rear edge of cutout and nearest combustible surface above countertop.
- Allow 7" minimum clearance from edge of cooktop to nearest combustible wall on either side of unit.
- Drawers not recommended beneath cooktop.
- To reduce risk of fire when using overhead cabinetry, install vent hood that projects horizontally a recommended minimum of 7" beyond bottom of cabinets.

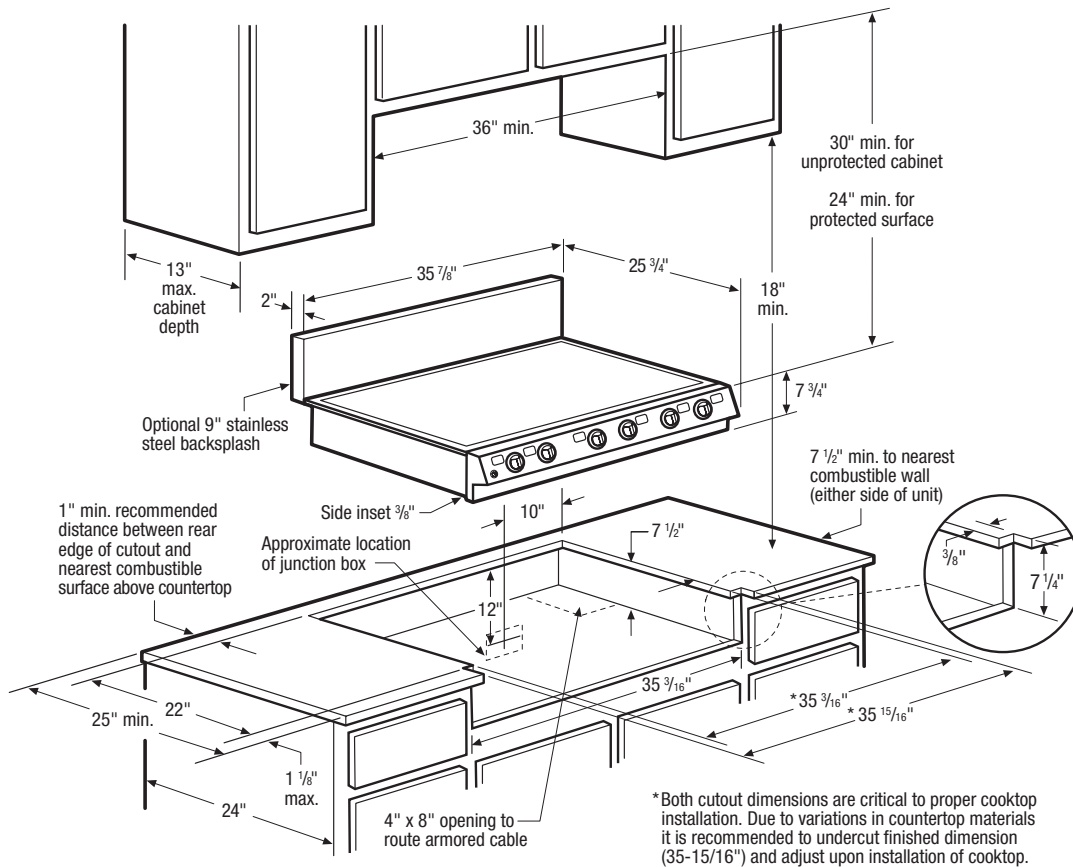
### Combination Installations

For installation details refer to Project Planning Section.

- Cooktop model E36GC75GSS is NOT approved to be used over any Electrolux ICON® Single Wall Oven.
- Cooktop model E36GC75GSS (without optional backsplash) is approved to be used in combination with an Electrolux ICON® 36" Downdraft Vent. (Refer to Slide-In Cooktop/Downdraft Vent Countertop Preparation page for installation specifications.) Proper combination installation will require cooktop power cord to be relocated to underside of unit. (For details, refer to 30" & 36" Gas Slide-In Cooktop Power Cord Relocation Instructions page or on the web at [electroluxicon.com](http://electroluxicon.com).)



## Gas and Electric Slide-In Cooktops



### Installation Specifications

- Product Weight – 68 Lbs.
- Single phase 3- or 4-wire cable, 120/240 or 120/208 Volt, 60 Hertz AC only electrical supply with ground required on separate circuit fused on both sides of line.
- Connected Load (kW Rating) @ 240/208 Volts = 11.8/8.8kW
- Amps @ 240/208 Volts = 49.2/42.6 Amps
- Always consult local and national electric codes.
- Respect critical dimensions as noted for proper installation of cooktop.
- Allow 2" space below armored cable opening to clear electrical cable and allow space for installation of junction box on wall at back of cooktop.
- Overhead cabinetry should not exceed a 13" maximum depth.
- Allow 30" minimum clearance between top of cooktop and bottom of unprotected wood or metal overhead cabinetry.
- Absolute minimum horizontal distance between overhead cabinets installed to either side of appliance must be no less than maximum width of appliance.

- Allow 24" minimum clearance when bottom of wood or metal overhead cabinet is protected by not less than 1/8" flame-retardant millboard covered with not less than No. 28 MGS sheet steel, 0.015" stainless steel, 0.024" aluminum or 0.020" copper.
- Allow 1" minimum clearance between rear edge of cutout and nearest combustible surface above countertop.
- Allow 7-1/2" minimum clearance from edge of cooktop to nearest combustible wall on either side of unit.
- Drawers not recommended beneath cooktop.
- To reduce risk of fire when using overhead cabinetry, install vent hood that projects horizontally a recommended minimum of 7" beyond bottom of cabinets.

### Combination Installations

For installation details refer to Project Planning Section.

- Cooktop model E36EC75HSS is NOT approved to be used over any Electrolux ICON® Single Wall Oven.
- Cooktop model E36EC75HSS (without optional backsplash) is approved to be used in combination with an Electrolux ICON® 36" Downdraft Vent. (Refer to Slide-In Cooktop/Downdraft Vent Countertop Preparation page for installation specifications.)

## planning information

### For 36" electric model: E36EC75HSS

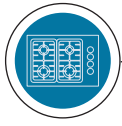
**Note:** For planning purposes only. Refer to Product Installation Guide on the web at [electroluxicon.com](http://electroluxicon.com) for detailed instructions. Specifications subject to change.

### Optional Accessories

- Depth Adjustment Filler Kit  
PN # 903051-9010
- 9" Stainless Steel Backsplash  
PN # 903048-9010
- Black Knobs Kit  
PN # 903127-9010

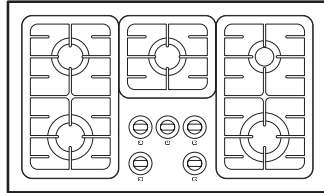




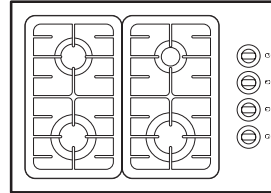


## Gas Deep-Sump Cooktops

### models



36" - E36GC70FSS



30" - E30GC70FSS

### features

#### Deep Cooktop Design

The deep-sump design of this cooktop contains spills for easy cleanup and creates a countertop level cooking surface that simplifies maneuvering of oversized pots and pans.

#### Sealed Burner Configurations

Versatile, offering flexibility and power. Use the Power Burner™ to bring a large stockpot to boil in just moments, and the Precision Burner™ to simmer a delicate sauce. The burners are sealed for easy cleanup.

#### Sealed Precision Burner™

Never too much or too little. Precision Burners™ provide heat in an exact range from 5,000 BTU to 750 BTU so you'll never burn that delicate sauce again.

#### Continuous Grates

Designed for cooking multiple dishes at varying temperatures on a single cooktop. Continuous grates spread weight over a broad area, providing an ultrastable cooking surface.

#### Professional-Style Controls

Large professional-feel, surface-mounted control knobs provide easy and accurate settings. 270 degree rotation offers superior flame control. Optional black knobs available.

### product warranty

#### Limited One-Year Warranty

Every Electrolux Major Appliances cooktop is guaranteed to be free of materials defects or component malfunctions. Electrolux Major Appliances will repair, without charge, any problem that occurs during the first year after original date of purchase.\*

#### Limited 2<sup>nd</sup> - 5<sup>th</sup> Year Warranty

*Glass Cooktop or Electric Element*

Electrolux Major Appliances will provide a replacement glass cooktop or electric element that breaks due to defects in materials or workmanship (*not customer abuse*), for the second through fifth years from original date of purchase.\*

Transportation and all labor cost required because of service and any expenses incurred while making the cooktop accessible for servicing, such as removal of trim, cupboards, shelves, etc. are the responsibility of the consumer.

#### Parts and Service

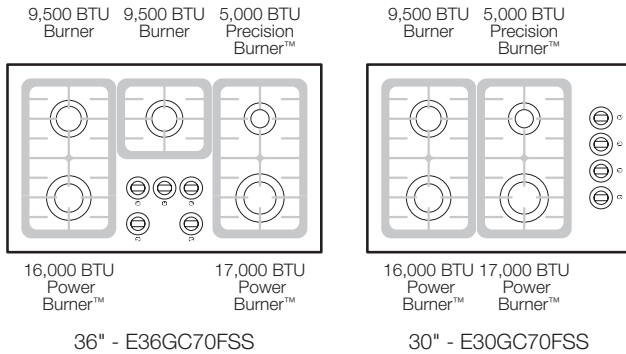
Wherever you live or move in the U.S.A., our national network of authorized independent service companies provide prompt, professional repair service. To maintain warranties, always ask for Electrolux Major Appliances Genuine Renewal Parts.

This warranty is provided by Electrolux Major Appliances North America, a division of Electrolux Home Products, Inc. in the U.S.A., and in Canada by Electrolux Canada Corp. For complete warranty details, please refer to your Owner's Manual.

\*Some restrictions may apply for Alaska.

High standards of quality at Electrolux Home Products, Inc. mean we are constantly working to improve our products. We reserve the right to change specifications or discontinue models without notice.

## Gas Deep-Sump Cooktops



burner configurations

### A.D.A. Compliant

(E36GC70FSS)

When properly installed, meets the appliance standards in the Americans with Disabilities Act and the Architectural Barriers Act

Accessibility Guidelines as published by the United States Access Board on June 23, 2004, as amended August 5, 2005.

agency certifications

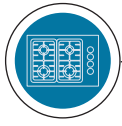
Model	E36GC70FSS	E30GC70FSS
Nominal Width	36"	30"
Type	Gas	Gas
Configuration	5 Sealed Burners	4 Sealed Burners
A.D.A. Compliant	Yes	
<b>Features</b>		
Deep-Sump Formed Stainless Steel Platform	Yes	Yes
Stainless Steel Finish Knobs	5	4
Sealed Power Burner™ (BTU)	1 (17,000)	1 (17,000)
Sealed Power Burner™ (BTU)	1 (16,000)	1 (16,000)
Sealed Burner (BTU)	2 (9,500)	1 (9,500)
Sealed Precision Burner™ (BTU)	1 (5,000 – 750)	1 (5,000 – 750)
Linear Flow Burner Valves	Yes	Yes
Electronic Ignition	Yes	Yes
Continuous Grates	3	2
<b>Optional Accessories</b>		
Granite Countertop Installation Kit	PN # 903103-9010	PN # 903103-9010
Grill / Griddle	PN # 318251603	PN # 318251603
Wok Ring	PN # 318254301	PN # 318254301
Simmer Plate	PN # 318254200	PN # 318254200
Black Burner Knob Kit	PN # 318242223	PN # 318242222
<b>Specifications*</b>		
Product Dimensions –		
Height	4-1/4"	4-1/4"
Width	36"	30"
Depth	21-3/4"	21-3/4"
Cutout Dimensions –		
Height (min. beneath countertop surface)	8"	8"
Width (min.)	33-7/8"	27-1/4"
(max.)	34-1/4"	28-1/2"
Depth (min.)	19-1/8"	19-1/8"
(max.)	19-3/4"	19-3/4"
Gas Inlet / Power Supply Location	Right Rear	Right Rear
LP Gas Conversion Kit	Included	Included
Voltage Rating	120V / 1.2W / 60 Hz / 15A	120V / 1.2W / 60 Hz / 15A
Connected Load (kW Rating) @ 120 Volts	0.001	0.001
Electrical Cable	Included	Included
Approved for Single Wall Oven Combination Installation <sup>1</sup>	Yes	Yes
Approved for Downdraft Vent Combination Installation <sup>1</sup>	Yes	Yes
Shipping Weight (Approx.)	58 Lbs	48 Lbs.

model comparison chart

**Note:** For planning purposes only. Refer to Product Installation Guide on the web at [electroluxicon.com](http://electroluxicon.com) for detailed instructions. Specifications subject to change.

<sup>1</sup>For further specifications and installation details refer to model-specific Planning Information page.

<sup>1</sup>For complete approval details, refer to Combination Installations section on model-specific Planning Information page.

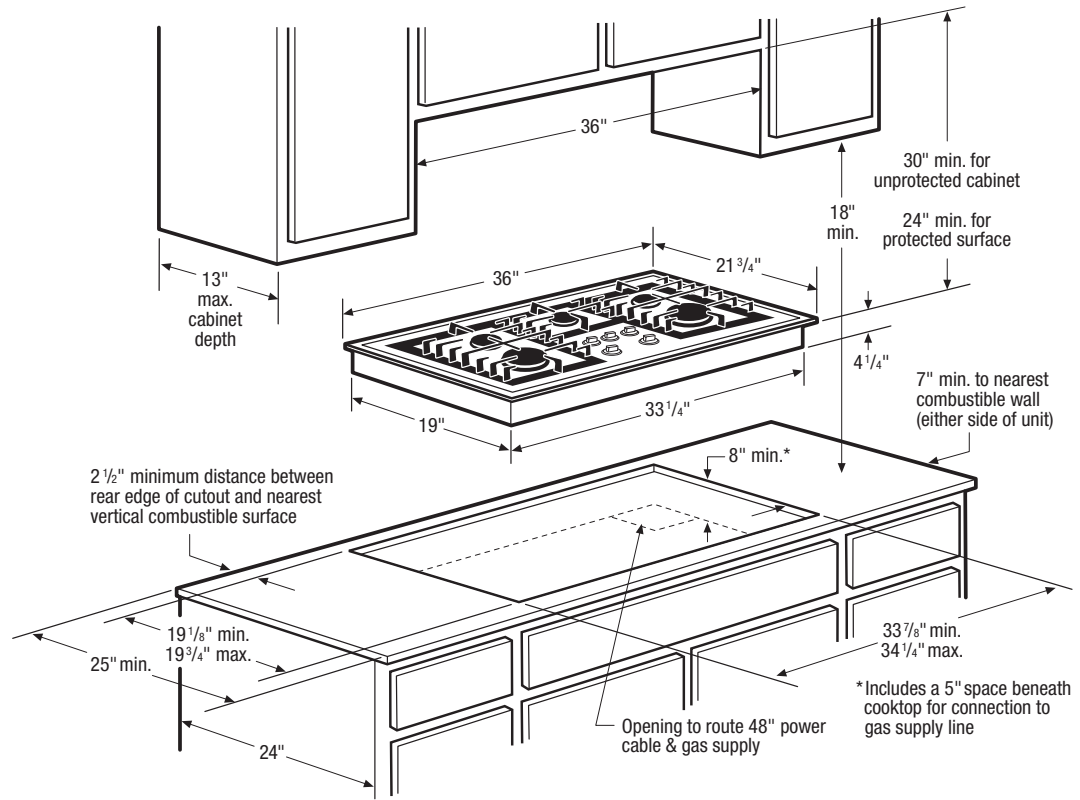


## Gas Deep-Sump Cooktops

### planning information

#### For 36" model: E36GC70FSS

**Note:** For planning purposes only. Refer to Product Installation Guide on the web at [electroluxicon.com](http://electroluxicon.com) for detailed instructions. Specifications subject to change.



### Optional Accessories

Granite Countertop Installation Kit  
PN # 903103-9010

Grill / Griddle  
PN # 318251603

Simmer Plate  
PN # 318254200

Wok Ring  
PN # 318254301

Black Burner Knob Kit  
PN # 318242223

### Installation Specifications

- Product Weight – 53 Lbs.
- Voltage Rating – 120V / 60 Hz / 15 Amps
- Connected Load (kW Rating) @ 120 Volts = 0.001 kW (For use on adequately wired 120V, dedicated circuit having 2-wire service with a separate ground wire. Appliance must be grounded for safe operation.)
- Amps @ 120 Volts = 0.008 Amps
- Always consult local and national electric and gas codes.
- Recommended location for grounded 120V outlet is on rear wall in an 8" wide by 10" high area, positioned 22" above floor surface and 12" to right side of cooktop centerline. Access to underside of cooktop and junction box must be provided for inspection and service.
- Cooktop ships with 3/4" factory regulator.
- LP Gas conversion kit supplied.
- Overhead cabinetry should not exceed a 13" max. depth.
- Allow 30" minimum clearance between top of cooktop and bottom of unprotected wood or metal overhead cabinetry.
- Absolute minimum horizontal distance between overhead cabinets installed to either side of appliance must be no less than maximum width of appliance.
- Allow 24" minimum clearance when bottom of wood or metal overhead cabinet is protected by not less than 1/8" flame-retardant millboard covered with not less than No. 28 MGS sheet steel, 0.015" stainless steel, 0.024" aluminum or 0.020" copper.
- Allow 2-1/2" minimum distance between rear edge of cutout to nearest combustible surface above countertop.
- Allow 7" minimum clearance from edge of cooktop to nearest combustible wall on either side of unit.
- Drawers cannot be installed beneath this cooktop.
- To reduce risk of fire when using overhead cabinetry, install vent hood that projects horizontally a recommended minimum of 5" beyond bottom of cabinets.

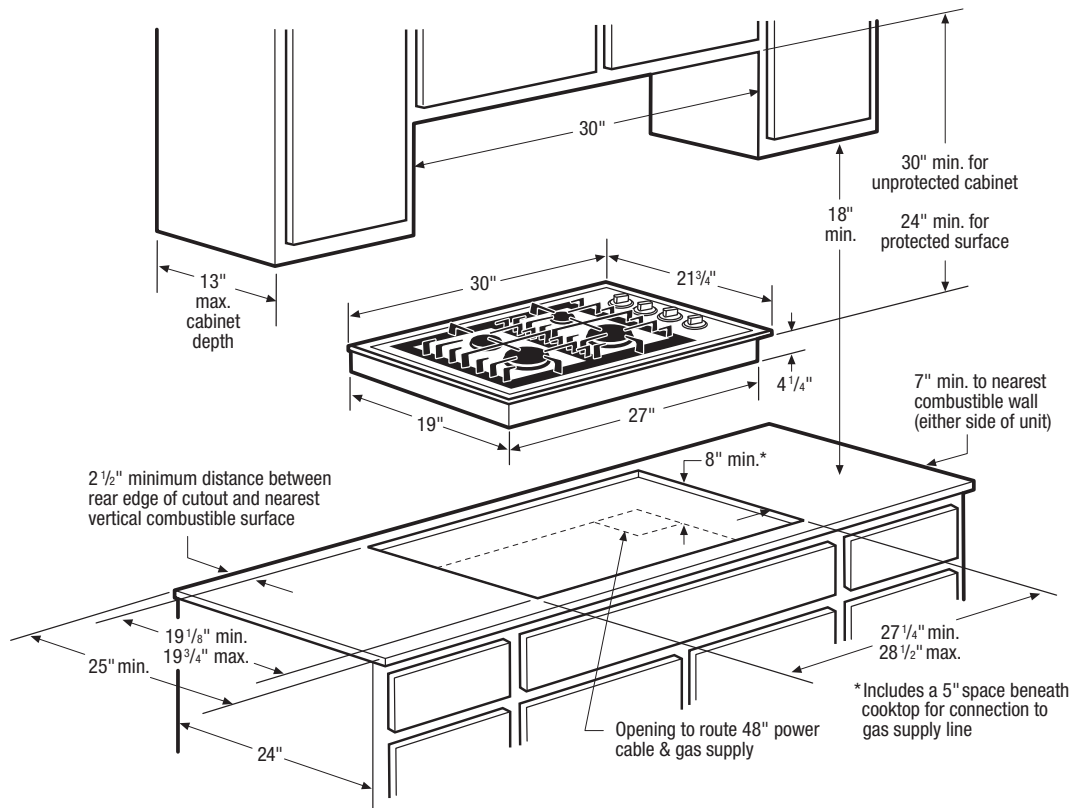
### Combination Installations

For installation details refer to Project Planning Section.

- Cooktop model E36GC70FSS is approved to be used over any Electrolux ICON® Single Wall Oven. (Refer to Gas Cooktop Installation Over 30" Electric Single Wall Oven Specifications page.)
- Cooktop model E36GC70FSS is approved to be used in combination with an Electrolux ICON® 36" Downdraft Vent. (Refer to Drop-In Cooktop / Downdraft Vent Countertop Preparation page for detailed installation specifications.)



## Gas Deep-Sump Cooktops



### Installation Specifications

- Product Weight – 43 Lbs.
- Voltage Rating – 120V / 60Hz / 15 Amps
- Connected Load (kW Rating) @ 120 Volts = 0.001 kW (For use on adequately wired 120V, dedicated circuit having 2-wire service with a separate ground wire. Appliance must be grounded for safe operation.)
- Amps @ 120 Volts = 0.008 Amps
- Always consult local and national electric and gas codes.
- Recommended location for grounded 120V outlet is on rear wall in an 8" wide by 10" high area, positioned 22" above floor surface and 12" to right side of cooktop centerline. Access to underside of cooktop and junction box must be provided for inspection and service.
- Cooktop ships with 3/4" factory regulator.
- LP Gas conversion kit supplied.
- Overhead cabinetry should not exceed a 13" max. depth.
- Allow 30" minimum clearance between top of cooktop and bottom of unprotected wood or metal overhead cabinetry.
- Absolute minimum horizontal distance between overhead cabinets installed to either side of appliance must be no less than maximum width of appliance.
- Allow 24" minimum clearance when bottom of wood or metal overhead cabinet is protected by not less than 1/8" flame-retardant millboard covered with not less than No. 28 MGS sheet steel, 0.015" stainless steel, 0.024" aluminum or 0.020" copper.

- Allow 2-1/2" minimum distance between rear edge of cutout to nearest combustible surface above countertop.
- Allow 7" minimum clearance from edge of cooktop to nearest combustible wall on either side of unit.
- Drawers cannot be installed beneath this cooktop.
- To reduce risk of fire when using overhead cabinetry, install vent hood that projects horizontally a recommended minimum of 5" beyond bottom of cabinets.

### Combination Installations

For installation details refer to Project Planning Section.

- Cooktop model E30GC70FSS is approved to be used over any Electrolux ICON® Single Wall Oven. (Refer to *Gas Cooktop Installation Over 30" Electric Single Wall Oven Specifications page*.)
- Cooktop model E30GC70FSS is approved to be used in combination with an Electrolux ICON® 30" Downdraft Vent. (Refer to *Drop-In Cooktop / Downdraft Vent Countertop Preparation page for detailed installation specifications*.)

## planning information

### For 30" model: E30GC70FSS

**Note:** For planning purposes only. Refer to Product Installation Guide on the web at [electroluxicon.com](http://electroluxicon.com) for detailed instructions. Specifications subject to change.

### Optional Accessories

#### Granite Countertop Installation Kit

PN # 903103-9010

#### Grill / Griddle

PN # 318251603

#### Simmer Plate

PN # 318254200

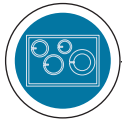
#### Wok Ring

PN # 318254301

#### Black Burner Knob Kit

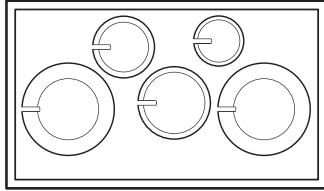
PN # 318242222



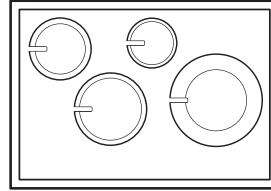


## Induction Cooktops

### models



36" - E36IC80ISS



30" - E30IC80ISS

### features

#### Cook Surface Sensors

By generating a magnetic field, heat is created only when an electromagnetic element comes into contact with steel cookware. In short, the pot becomes the heating element while the cooktop remains cool.

#### Exceptional Temperature Control

Adjust heat with greater precision than on gas or electric cooktops, especially at lower settings. Ideal for melting chocolate and cooking delicate foods and sauces.

#### More Efficient

Induction cooking utilizes approximately 90% of the energy produced, while a gas burner is only 55% efficient and traditional electric ranges are only 65% efficient.

#### Heats 70% Quicker

Because it is a more efficient heating method, induction heats foods quicker than conventional gas or electric cooktops. Induction begins heating the pan and the food in it as soon as the induction energy is switched on, typically in less than one second.

#### More Responsive

Cooking with induction is more responsive than gas or electric—you can instantly adjust the heat to a delicate simmer or bring it to a quick boil.

#### Five Induction Elements

*(E36IC80ISS)*

Five induction elements, including two 10" (2500W / 3800W), an 8" (2400W / 3400W), a 7" (1900W / 2600W) and a 6" (1500W / 1900W) combine to create remarkably adaptable cooking areas.

#### Custom-Set™ Controls

Fifteen preset touch settings provide a level of digital heat control that inspires confidence in even the most particular chef. Digital controls enable temporary lockout or shut-off for up to twelve hours.

#### Sleek Design

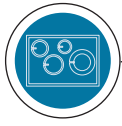
These cooktops connect with your countertop in virtual seamlessness for a sleek, consistent, flush-mount look. Smooth, one-piece surface is undisturbed with knobs, so it is easy to clean and maintain.

#### Power Assist™

Enables rapid heat acceleration with an immediate 30% to 50% increase in power. So, you'll bring large pots to a boil faster than ever before while minimizing energy consumption. Power Assist™ affords rapid heat acceleration, while at the same time reducing energy consumption.

#### Keep-Warm Setting

For the discerning chef, the Keep-Warm setting maintains the perfect serving temperature directly on the cook surface. For increased safety, digital controls enable shut-off for up to eighteen hours or discretionary lockout from the off position.



**Induction Cooktops**

model comparison chart

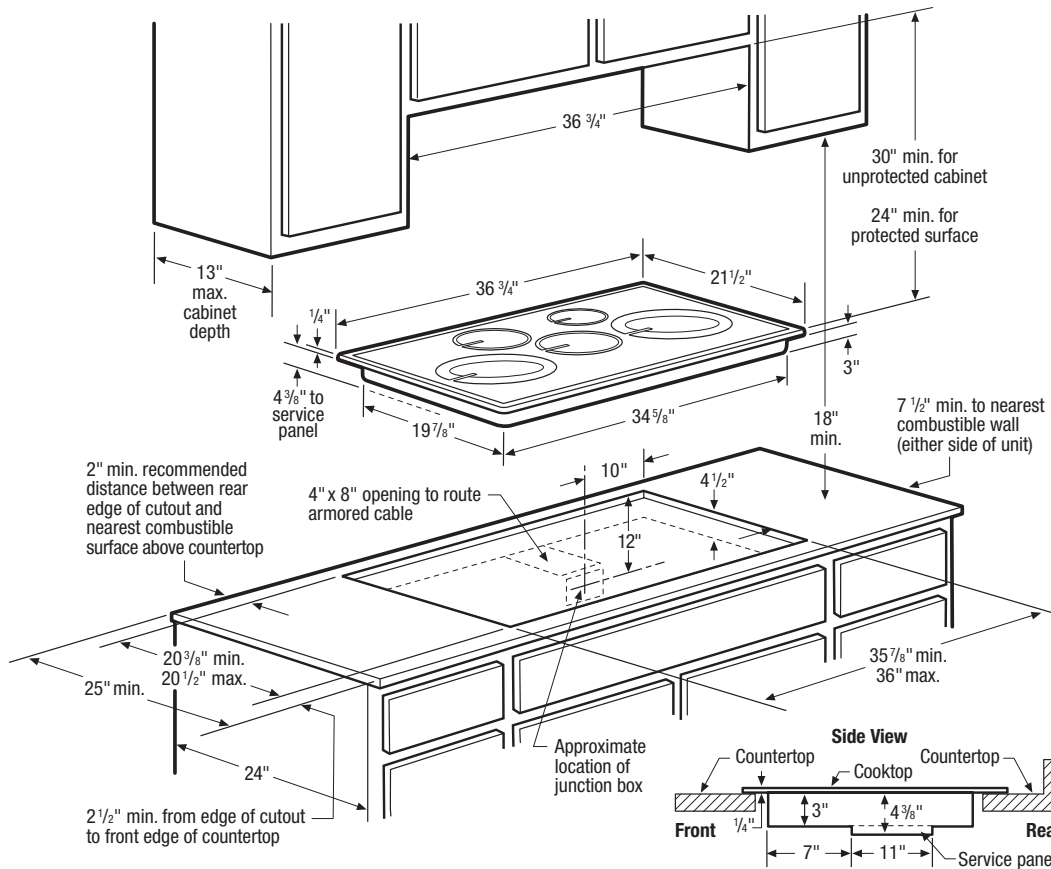
**Note:** For planning purposes only. Refer to Product Installation Guide on the web at [electroluxicon.com](http://electroluxicon.com) for detailed instructions. Specifications subject to change.

<sup>4</sup>For further specifications and installation details refer to model-specific Planning Information page.

<sup>1</sup>For complete approval details, refer to Combination Installations section on model-specific Planning Information page.

Model	E36IC80ISS	E30IC80ISS
Nominal Width	36"	30"
Type	Induction	Induction
Configuration	5 Induction Elements	4 Induction Elements
A.D.A. Compliant	Yes	Yes
<b>Features</b>		
Black Vitroceramic Glass Surface	Yes	Yes
Precision Touch Controls	Yes	Yes
10" Element – 2500W / 3800W	2	1
8" Element – 2400W / 3400W	1	1
7" Element – 1900W / 2600W	1	1
6" Element – 1500W / 1900W	1	1
<b>Optional Accessories</b>		
Granite Countertop Installation Kit	PN # 903061-9010	PN # 903061-9010
<b>Specifications*</b>		
Product Dimensions –		
Height	4-3/8"	4-3/8"
Width	36-3/4"	30-3/4"
Depth	21-1/2"	21-1/2"
Cutout Dimensions –		
Height (min. beneath countertop surface)	4-1/2"	4-1/2"
Width (min.)	35-7/8"	29-5/8"
Width (max.)	36"	29-3/4"
Depth (min.)	20-3/8"	20-3/8"
Depth (max.)	20-1/2"	20-1/2"
Power Supply Location		
Amps @ 240 / 208 Volts	Middle Rear	Middle Right Rear
Connected Load (kW Rating) @ 240 / 208 Volts	46.0 / 46.0	32.0 / 32.0
Electrical – Single phase 3- or 4-wire cable, 120 / 240V or 120 / 208V, 60Hz, fused on both sides of line with ground.	11.1 / 9.6	7.7 / 6.7
Armored Electrical Cable		
Approved for Single Wall Oven Combination Installation <sup>1</sup>	Required	Required
Approved for Downdraft Vent Combination Installation <sup>1</sup>	Included	Included
Shipping Weight (Approx.)	Yes	Yes
	73 Lbs.	58 Lbs.

## Induction Cooktops



### Installation Specifications

- Product Weight – 57 Lbs.
- Single phase 3- or 4-wire cable, 120/240 or 120/208 Volt, 60 Hertz, fused on both sides of line with ground.
- Connected Load (kW Rating) @ 240/208 Volts = 11.1 / 9.6 kW
- Amps @ 240/208 Volts = 46.0 / 46.0 Amps
- Recommended Circuit Breaker – 50 Amps
- Always consult local and national electric codes.
- Allow 2" space below armored cable opening to clear electrical cable and allow space for installation of junction box on wall at back of cooktop.
- Overhead cabinetry should not exceed a 13" max. depth.
- Allow 30" minimum clearance between top of cooktop and bottom of unprotected wood or metal overhead cabinetry.
- Absolute minimum horizontal distance between overhead cabinets installed to either side of appliance must be no less than maximum width of appliance.
- Allow 24" minimum clearance when bottom of wood or metal overhead cabinet is protected by not less than 1/8" flame-retardant millboard covered with not less than No. 28 MGS sheet steel, 0.015" stainless steel, 0.024" aluminum or 0.020" copper.

- Allow 1-1/2" minimum clearance between rear edge of cutout and nearest combustible surface above countertop.
- Allow 7-1/2" minimum clearance from edge of cooktop to nearest combustible wall on either side of unit.
- Drawers not recommended beneath cooktop.
- To reduce risk of fire when using overhead cabinetry, install vent hood that projects horizontally a recommended minimum of 5" beyond bottom of cabinets.

### Combination Installations

For installation details refer to Project Planning Section.

- Cooktop model E36IC80ISS is approved to be used over any Electrolux ICON® Single Wall Oven. (Refer to *Electric Cooktop Installation Over 30" Electric Single Wall Oven Specifications page*.)
- Cooktop model E36IC80ISS is approved to be used in combination with an Electrolux ICON® 36" Downdraft Vent. (Refer to *Drop-In Cooktop / Downdraft Vent Countertop Preparation page for detailed installation specifications*.)

## planning information

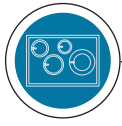
### For 36" model: E36IC80ISS

**Note:** For planning purposes only. Refer to Product Installation Guide on the web at [electroluxicon.com](http://electroluxicon.com) for detailed instructions. Specifications subject to change.

### Optional Accessories

Granite Countertop Installation Kit  
PN# 903061-9010



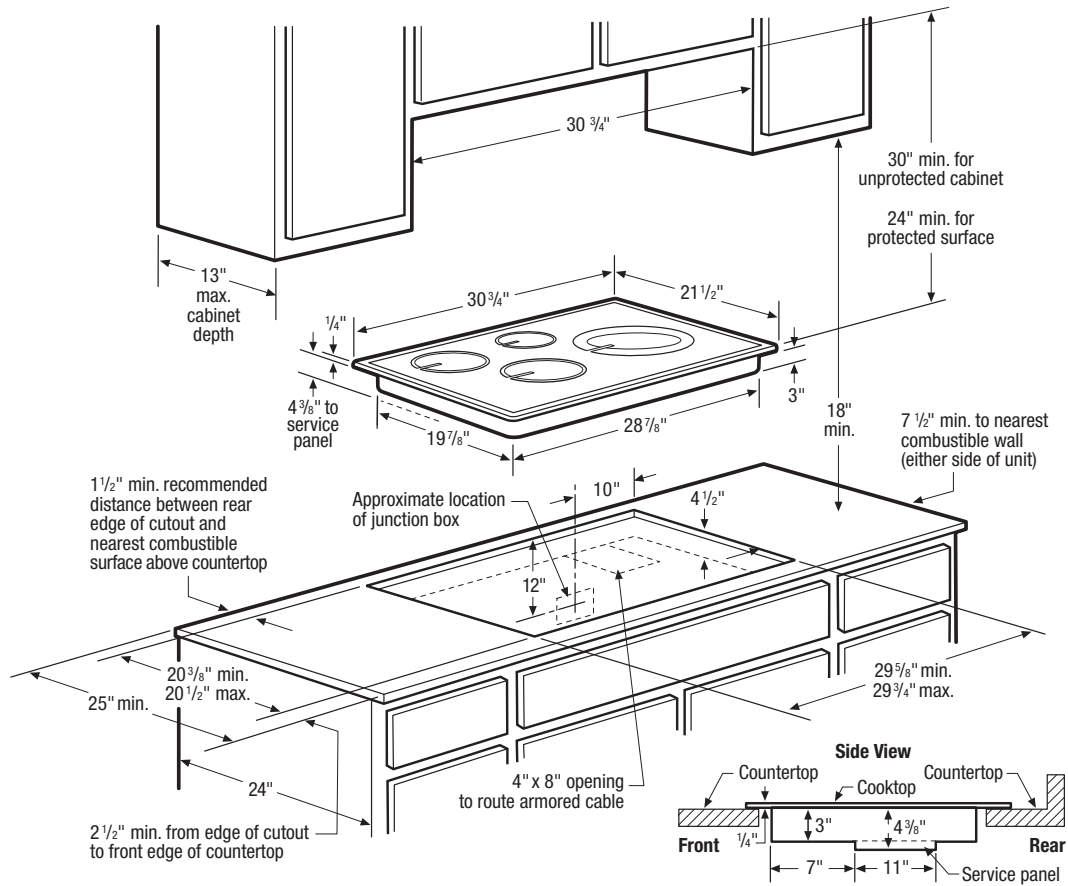


## Induction Cooktops

### planning information

#### For 30" model: E30IC80ISS

**Note:** For planning purposes only. Refer to Product Installation Guide on the web at [electroluxicon.com](http://electroluxicon.com) for detailed instructions. Specifications subject to change.



### Installation Specifications

- Product Weight – 44 Lbs.
- Single phase 3- or 4-wire cable, 120 / 240 or 120 / 208 Volt, 60 Hertz, fused on both sides of line with ground.
- Connected Load (kW Rating) @ 240 / 208 Volts = 7.7 / 6.7 kW
- Amps @ 240 / 208 Volts = 32.0 / 32.0 Amps
- Recommended Circuit Breaker – 40 Amps
- Always consult local and national electric codes.
- Allow 2" space below armored cable opening to clear electrical cable and allow space for installation of junction box on wall at back of cooktop.
- Overhead cabinetry should not exceed a 13" max. depth.
- Allow 30" minimum clearance between top of cooktop and bottom of unprotected wood or metal overhead cabinetry.
- Absolute minimum horizontal distance between overhead cabinets installed to either side of appliance must be no less than maximum width of appliance.
- Allow 24" minimum clearance when bottom of wood or metal overhead cabinet is protected by not less than 1/8" flame-retardant millboard covered with not less than No. 28 MGS sheet steel, 0.015" stainless steel, 0.024" aluminum or 0.020" copper.

- Allow 1-1/2" minimum clearance between rear edge of cutout and nearest combustible surface above countertop.
- Allow 7-1/2" minimum clearance from edge of cooktop to nearest combustible wall on either side of unit.
- Drawers not recommended beneath cooktop.
- To reduce risk of fire when using overhead cabinetry, install vent hood that projects horizontally a recommended minimum of 5" beyond bottom of cabinets.

### Combination Installations

For installation details refer to Project Planning Section.

- Cooktop model E30IC80ISS is approved to be used over any Electrolux ICON® Single Wall Oven. (Refer to *Electric Cooktop Installation Over 30" Electric Single Wall Oven Specifications* page.)
- Cooktop model E30IC80ISS is approved to be used in combination with an Electrolux ICON® 30" Downdraft Vent. (Refer to *Drop-In Cooktop / Downdraft Vent Countertop Preparation* page for detailed installation specifications.)

### Optional Accessories

Granite Countertop Installation Kit  
PN# 903061-9010



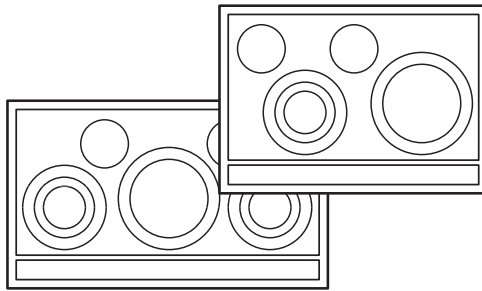




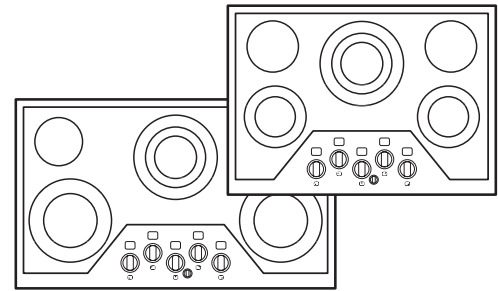
## cooking

### Electric Cooktops

#### models



36" - E36EC70FSS / 30" - E30EC70FSS



36" - E36EC65ESS / 30" - E30EC65ESS

#### features

*(E36EC70FSS, E30EC70FSS)*

##### **Expandable, Flexible Element Configuration**

For incomparable flexibility and up to 2700 watts of power, elements with double and triple concentric rings expand to fit virtually any pan size.

##### **Ceramic Smoothtop Glass**

Add some dazzle to your kitchen. This smoothtop glass cook surface is flat, smooth, durable and easily buffs to a high gloss.

##### **Custom-Set™ Touch-Controls**

Integrated within the cooking surface, electronic touch-controls afford a consistent and uncluttered look that works in complete harmony with the kitchen environment.

##### **Hot Surface Indicator**

For a cooktop that is as safe as it is sleek, a blue LED indicator light remains illuminated until the surface is cool to the touch.

*(E36EC65ESS, E30EC65ESS)*

##### **Flexible Element Configuration**

Concentric rings in double and triple elements are clearly marked on the surface. Expandable elements allow you to cook with a variety of pan sizes at up to 2,700 watts.

##### **Professional-Style Knobs with Digital Display**

Whether bringing water to a quick boil in a large pot or simmering your favorite hollandaise sauce, these convenient controls offer all the flexibility you require.

##### **Sleek Design**

These cooktops connect with your countertop in virtual seamlessness for a sleek, consistent, flush-mount look.

##### **Easy to Clean**

One look says it all. This superior ceramic smoothtop glass surface is durable, smooth and easy to clean. The glass ceramic surface easily buffs to a glossy shine. Imagine the beauty this sleek, glistening cooktop will bring to your kitchen.



Electric Cooktops

model comparison chart

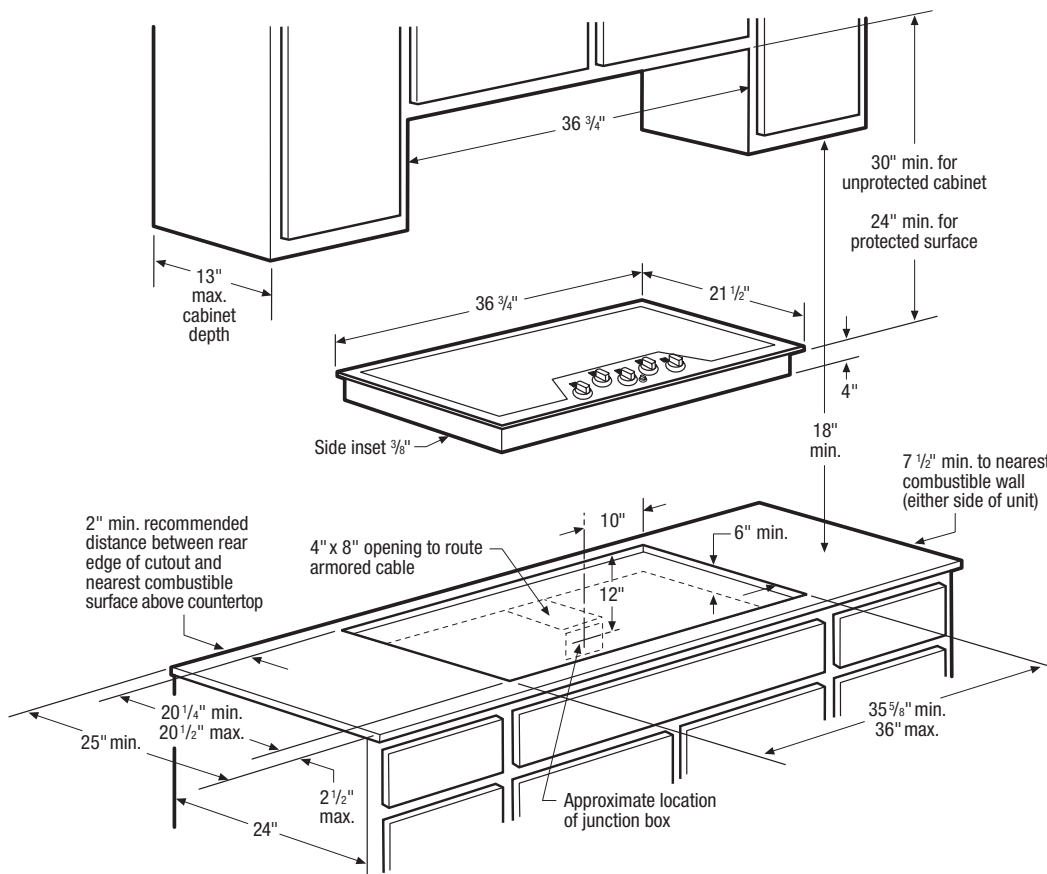
**Note:** For planning purposes only. Refer to Product Installation Guide on the web at [electroluxicon.com](http://electroluxicon.com) for detailed instructions. Specifications subject to change.

Model	E36EC65ESS	E30EC65ESS	E36EC70FSS	E30EC70FSS
Nominal Width	36"	30"	36"	30"
Type	Electric	Electric	Electric	Electric
Configuration	5 Elements	5 Elements	5 Elements	4 Elements
A.D.A. Compliant	Yes	Yes	Yes	Yes
<b>Features</b>				
Black Ceramic Smoothtop Glass Surface	Yes	Yes	Yes	Yes
Professional-Style Knobs with Digital Display	5	5		
Custom-Set™ Electronic Controls			Yes	Yes
9" to 12" Dual Element – 1700W/2700W			1	1
6" to 9" Dual Element – 1200W/2500W	2			
5" to 7" to 9" Expandable Element – 1000W/1800W/2700W	1	1	2	1
5" to 7" Dual Element – 750W/1800W		2		
6" Element – 1200W	2	2	2	2
Hot Surface Indicator Lights (H. S. in displays)	5 Positions	5 Positions		
Spill Control Cooktop	Yes	Yes		
<b>Optional Accessories</b>				
Granite Countertop Installation Kit	PN # 903061-9010	PN # 903061-9010	PN # 903061-9010	PN # 903061-9010
<b>Specifications*</b>				
Product Dimensions –				
Height	4"	4"	5"	5"
Width	36-3/4"	30-3/4"	36-3/4"	30-3/4"
Depth	21-1/2"	21-1/2"	21-1/2"	21-1/2"
Cutout Dimensions –				
Height (min. beneath countertop surface)	6"	6"	5"	5"
Width (min.)	35-5/8"	29-5/8"	35-7/8"	29-7/8"
(max.)	36"	30"	36"	30"
Depth (min.)	20-1/4"	20-1/4"	20-1/8"	20-1/8"
(max.)	20-1/2"	20-1/2"	20-1/4"	20-1/4"
Power Supply Location	Middle Rear	Middle Rear	Middle	Middle
Amps @ 240 / 208 Volts	42.0 / 36.5	36.2 / 31.4	44.0 / 38.0	33.0 / 29.0
Connected Load (kW Rating) @ 240 / 208 Volts	10.16 / 7.63	8.76 / 6.58	10.5 / 7.9	7.8 / 5.9
Electrical – Single phase 3- or 4-wire cable, 120 / 240 V or 120 / 208 V, 60 Hz, fused on both sides of line with ground.	Required	Required	Required	Required
Armored Electrical Cable	Included	Included	Included	Included
Approved for Single Wall Oven Combination Installation <sup>1</sup>	No	No	Yes	Yes
Approved for Downdraft Vent Combination Installation <sup>1</sup>	Yes	Yes	Yes	Yes
Shipping Weight (Approx.)	50 Lbs.	40 Lbs.	56 Lbs.	48 Lbs.

\*For further specifications and installation details refer to model-specific Planning Information page.

<sup>1</sup>For complete approval details, refer to Combination Installations section on model-specific Planning Information page.

## Electric Cooktops



### Installation Specifications

- Product Weight – 44 Lbs.
- Single phase 3- or 4-wire cable, 120/240 or 120/208 Volt, 60 Hertz AC only electrical supply with ground required on separate circuit fused on both sides of line.
- Connected Load (kW Rating) @ 240/208 Volts = 10.16/7.63 kW
- Amps @ 240/208 Volts = 42.0/36.5 Amps
- Always consult local and national electric codes.
- Allow 2" space below armored cable opening to clear electrical cable and allow space for installation of junction box on wall at back of cooktop.
- Overhead cabinetry should not exceed a 13" max. depth.
- Allow 30" minimum clearance between top of cooktop and bottom of unprotected wood or metal overhead cabinetry.
- Absolute minimum horizontal distance between overhead cabinets installed to either side of appliance must be no less than maximum width of appliance.
- Allow 24" minimum clearance when bottom of wood or metal overhead cabinet is protected by not less than 1/8" flame-retardant millboard covered with not less than No. 28 MGS sheet steel, 0.015" stainless steel, 0.024" aluminum or 0.020" copper.

- Allow 2" minimum clearance between rear edge of cutout and nearest combustible surface above countertop.
- Allow 7-1/2" minimum clearance from edge of cooktop to nearest combustible wall on either side of unit.
- Drawers not recommended beneath cooktop.
- To reduce risk of fire when using overhead cabinetry, install vent hood that projects horizontally a recommended minimum of 5" beyond bottom of cabinets.

### Combination Installations

For installation details refer to Project Planning Section.

- Cooktop model E36EC65ESS is NOT approved to be used over any Electrolux ICON® Single Wall Oven.
- Cooktop model E36EC65ESS is approved to be used in combination with an Electrolux ICON® 36" Downdraft Vent. (Refer to Drop-In Cooktop / Downdraft Vent Countertop Preparation page for detailed installation specifications.)

## planning information

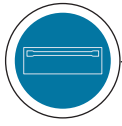
### For 36" model: E36EC65ESS

**Note:** For planning purposes only. Refer to Product Installation Guide on the web at [electroluxicon.com](http://electroluxicon.com) for detailed instructions. Specifications subject to change.

### Optional Accessories

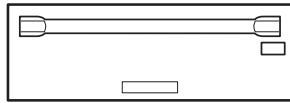
Granite Countertop Installation Kit  
PN# 903061-9010



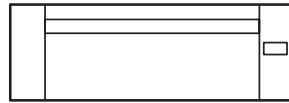


Warmer Drawers

models



E30WD75GPS professional series



E30WD75GSS designer series



E30WD75GTT panel ready

features

Smooth-Glide™ Warmer Drawer

Drawer slides in and out with ease, extending completely and safely for convenient access to prepared foods.

Stainless Steel Interior Design

Entire inner drawer cavity is constructed of smooth and durable, seamless stainless steel for easy cleanup.

Humidity Control

Allows adjustment of humidity levels to ensure that foods taste as they should even after reheating.

Second-Tier Rack

Drawer features a convenient second-tier rack for small dishes and breads, also providing loading flexibility to accommodate a variety of prepared foods.

Limited One-Year Warranty

Every Electrolux Major Appliances warmer drawer is guaranteed to be free of materials defects or component malfunctions. Electrolux Major Appliances will repair, without charge, any problem that occurs during the first year after original date of purchase.\*

Parts and Service

Wherever you live or move in the U.S.A., our national network of authorized independent service companies provide prompt, professional repair service. To maintain warranties, always ask for Electrolux Major Appliances Genuine Renewal Parts.

Custom-Set™ Temperature Controls

The 450-watt heating element keeps food warm at your preferred serving temperature 80 to 210 degrees F. The blue LED panel is visible through the convenient display window located on the drawer front.\*

*\*When custom panel is installed on E30WD75GTT, LED panel is not visible with drawer closed.*

Panel-Ready Design

(E30WD75GTT)

Apply your own custom cabinetry and matching handle to the warmer drawer to coordinate your kitchen decor.

The Perfect Complement

Pairs perfectly with the Electrolux ICON® double or single wall oven.

product warranty

This warranty is provided by Electrolux Major Appliances North America, a division of Electrolux Home Products, Inc. in the U.S.A., and in Canada by Electrolux Canada Corp. For complete warranty details, please refer to your Owner's Manual.

*\* Some restrictions may apply for Alaska.*

*High standards of quality at Electrolux Home Products, Inc. mean we are constantly working to improve our products. We reserve the right to change specifications or discontinue models without notice.*

# Warmer Drawers

## A.D.A. Compliant

When properly installed, meets the appliance standards in the Americans with Disabilities Act and the Architectural Barriers Act

Accessibility Guidelines as published by the United States Access Board on June 23, 2004, as amended August 5, 2005.

agency  
certifications

model  
comparison  
chart

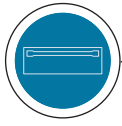
Models	E30WD75GPS	E30WD75GSS	E30WD75GTT
Series	Professional	Designer	Panel Ready
Nominal Width	30"	30"	30"
Type	Built In	Built In	Built In
Capacity	1.6 Cu. Ft.	1.6 Cu. Ft.	1.6 Cu. Ft.
A.D.A. Compliant	Yes	Yes	Yes
<b>Features</b>			
Custom-Set™ Electronic Controls	Yes	Yes	Yes
Blue LED Display	Yes	Yes	Yes
Automatic Shutoff – 4 Hour	Yes	Yes	Yes
Humidity Control	Yes	Yes	Yes
Heating Element (Watts)	450	450	450
Smooth-Glide™ Full-Extension Drawer	Yes	Yes	Yes
Stainless Steel Drawer Interior	Yes	Yes	Yes
Second-Tier Rack	Yes	Yes	Yes
<b>Optional Accessories</b>			
ServeWare	PN # 5304447729	PN # 5304447729	PN # 5304447729
<b>Specifications*</b>			
Drawer Cavity –			
Height	6-1/2"	6-1/2"	6-1/2"
Width	20-15/16"	20-15/16"	20-15/16"
Depth	19-1/4"	19-1/4"	19-1/4"
Product Dimensions –			
Height	11-1/4"	11-1/4"	10-3/4"
Width	30"	30"	29"
Depth (to drawer front) (including handle)	23-3/8" 44-1/8"	23-3/8" 44-1/8"	23-3/8" (handle is optional) <sup>1</sup>
Cutout Dimensions –			
Height (min.) (max.)	9-7/8" 10-1/4"	9-7/8" 10-1/4"	9-7/8" 10-1/4"
Width (min.) (max.)	28-1/2" 28-3/4"	28-1/2" 28-3/4"	28-1/2" 28-3/4"
Depth (min.) (max.)	23-5/8" 24"	23-5/8" 24"	23-5/8" 24"
Drawer Fully Extended (including handle if applicable)	44-1/8" (from extreme back)	44-1/8" (from extreme back)	41-1/2" (from extreme back)
Temperature Range	80°F – 210°F	80°F – 210°F	80°F – 210°F
Power Supply Connection Location	Right Center Rear	Right Center Rear	Right Center Rear
Voltage Rating	120V / 60 Hz / 15A	120V / 60 Hz / 15A	120V / 60 Hz / 15A
Connected Load (kW Rating) @ 120 Volts	0.45	0.45	0.45
Amps @ 120 Volts	3.75	3.75	3.75
Minimum Circuit Required (Amps)	15	15	15
60" Electrical Cable	Included	Included	Included
Approved for Under-Counter Installation <sup>2</sup>	Yes	Yes	Yes
Shipping Weight (Approx.)	63 Lbs.	60 Lbs.	52 Lbs.

**Note:** For planning purposes only. Refer to Product Installation Guide on the web at [electroluxicon.com](http://electroluxicon.com) for detailed instructions. Specifications subject to change.

<sup>1</sup>For further specifications and installation details refer to model-specific Planning Information page.

<sup>2</sup>Custom panel and handle not included with panel-ready model.

<sup>3</sup>For complete approval details, refer to Combination Installations section on model-specific Planning Information page.



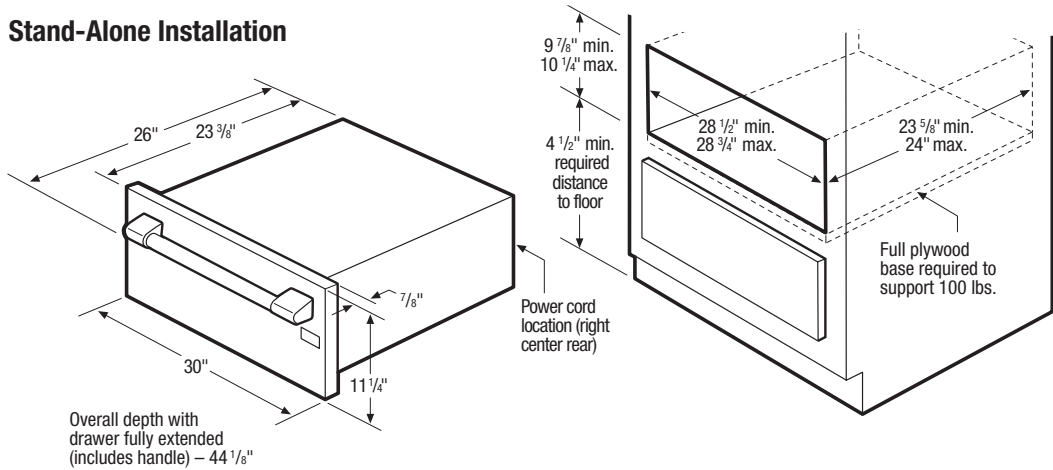
## Warmer Drawers

### planning information

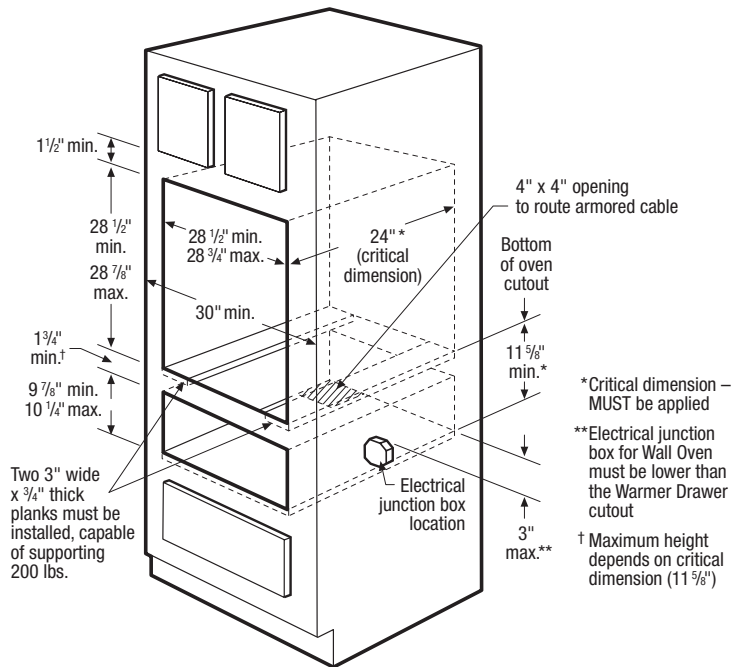
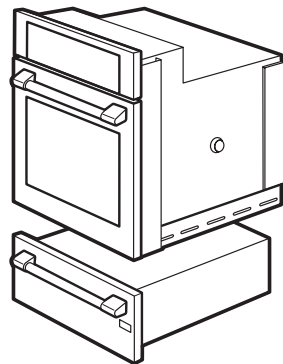
**For models:**  
E30WD75GPS  
E30WD75GSS

*Note:* For planning purposes only. Refer to Product Installation Guide on the web at [electroluxicon.com](http://electroluxicon.com) for detailed instructions. Specifications subject to change.

### Stand-Alone Installation



### Warmer Drawer / Single Wall Oven Combination Installation



Installation drawing shown with professional series model.

### Optional Accessories

ServeWare  
PN # 5304447729

### Installation Specifications

- Product Weight – 49 Lbs.
- Voltage Rating – 120V / 450W / 60 Hz / 15 Amps
- Connected Load (kW Rating) @ 120 Volts = 0.45 kW (For use on adequately wired 120V, dedicated circuit having 2-wire service with a separate ground wire. Appliance must be grounded for safe operation.)
- Amps @ 120V = 3.75 Amps
- Full plywood base required, capable of supporting 100 Lbs.
- Base must be level and cabinet front must be square.

### Warmer Drawer / Wall Oven Combination Specifications

- To support Wall Oven when using in combination with Warmer Drawer, two 3"-wide x 3/4" thick planks must be installed as a base, capable of supporting 200 Lbs. Do NOT use full base, since planks are necessary to allow for proper air displacement.

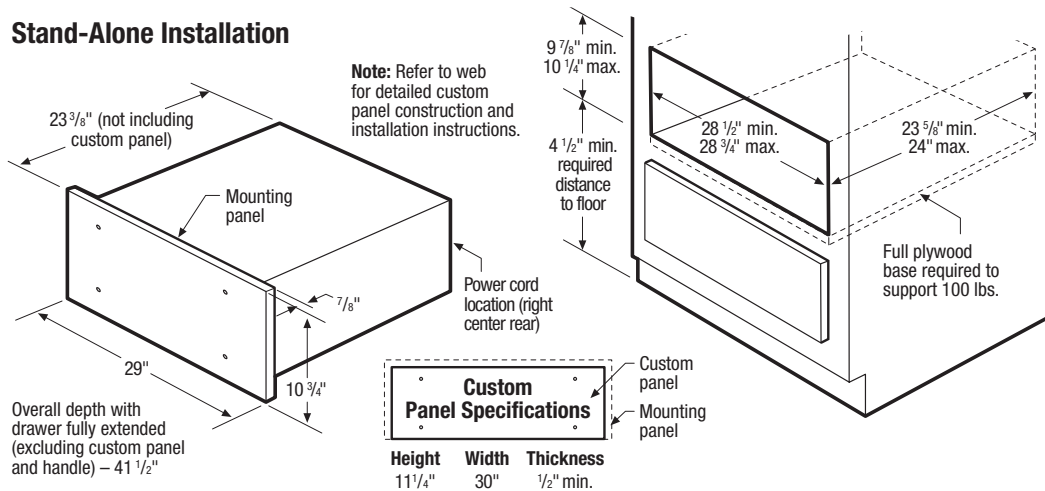
### Combination Installations

- Warmer Drawer can be used alone, or is approved to be used in combination with any Electrolux ICON® Wall Oven. (Refer to Combination Installation Specifications and drawing on this page.)
- Warmer Drawer is approved to be used in combination with any Electrolux ICON® High-Speed Oven / Built-In Microwave and / or Electric Single Wall Oven. (Refer to model-specific Combination Installation Specifications pages in Project Planning Section.)

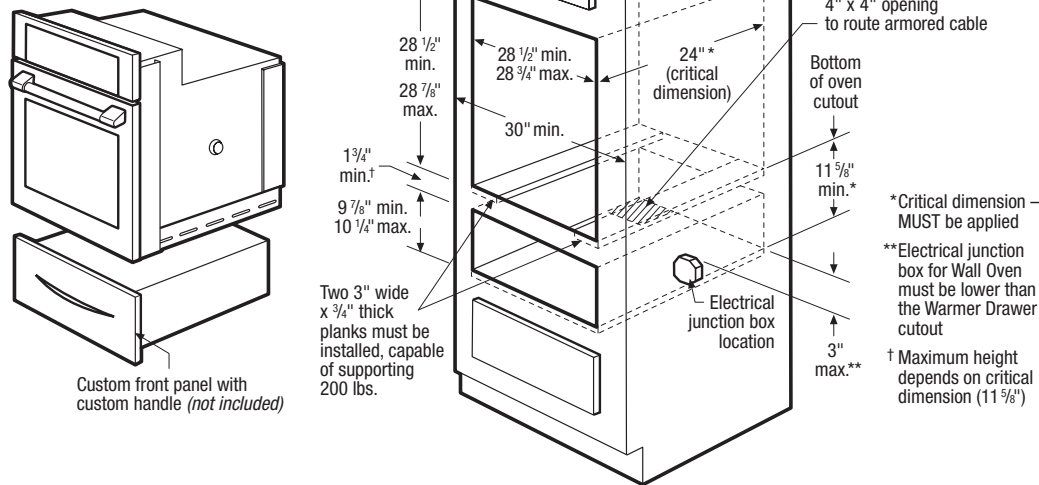


## Warmer Drawers

### Stand-Alone Installation



### Warmer Drawer / Single Wall Oven Combination Installation



### Installation Specifications

- Product Weight – 41 Lbs.
- Voltage Rating – 120V / 450W / 60Hz / 15 Amps
- Connected Load (kW Rating) @ 120 Volts = 0.45 kW (For use on adequately wired 120V, dedicated circuit having 2-wire service with a separate ground wire. Appliance must be grounded for safe operation.)
- Amps @ 120V = 3.75 Amps
- Full plywood base required, capable of supporting 100 Lbs.
- Base must be level and cabinet front must be square.

### Custom Panel Specifications

- Handle not included, match to custom cabinetry.
- Panel Dimensions – 11-1/4" H x 30" W x 1/2" min. D
- Refer to web for detailed custom panel construction and installation instructions.

### Warmer Drawer / Wall Oven Combination Specifications

- To support Wall Oven when using in combination with Warmer Drawer, two 3"-wide x 3/4" thick planks must be installed as a base, capable of supporting 200 Lbs. Do NOT use full base, since planks are necessary to allow for proper air displacement.

### Combination Installations

- Warmer Drawer can be used alone, or is approved to be used in combination with any Electrolux ICON® Wall Oven. (Refer to Combination Installation Specifications and drawing on this page.)
- Warmer Drawer is approved to be used in combination with any Electrolux ICON® High-Speed Oven / Built-In Microwave and /or Electric Single Wall Oven. (Refer to model-specific Combination Installation Specifications pages in Project Planning Section.)

planning information

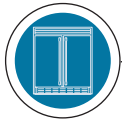
For model:  
**E30WD75GTT**

**Note:** For planning purposes only. Refer to Product Installation Guide on the web at [electroluxicon.com](http://electroluxicon.com) for detailed instructions. Specifications subject to change.

### Optional Accessories

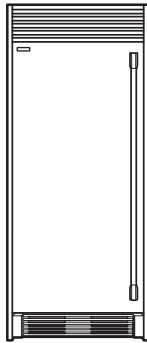
ServeWare  
PN # 5304447729



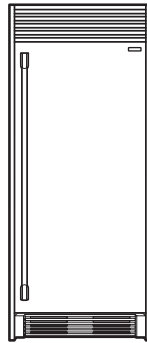


## Built-In All Freezer & All Refrigerator

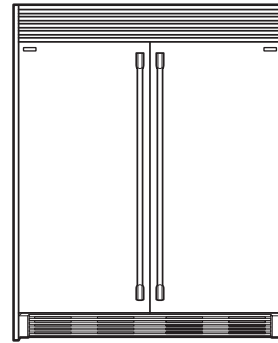
models



E32AF75JPS  
professional series  
*(Shown built in with optional Single Louvered Trim Kit)*



E32AR75JPS  
professional series



*(Shown built in, side by side with optional Double Louvered Trim Kit)*

features

### Custom-Fit™ Capacity

More space inside gives you plenty of space to stock up so you'll always have food on hand for any occasion.

### Soft Freeze™ Bin

*(E32AF75JPS)*

Perfect storage for things like ice cream or anything you want to keep frozen, but still soft for serving.

### PureAdvantage® Air Filter

Keeps clean, filtered air circulated throughout to prevent odor transfer.

*Replacement Air Filter (PN # EAFCBF)*

### Smooth-Glide™ Freezer Drawers

*(E32AF75JPS)*

Full-width drawers glide out smoothly and fully extend giving you easy access to what's inside.

### Custom-Design™ Organization System

*(E32AR75JPS)*

The ultimate organization system features Smooth-Glide™ drawers with removable/adjustable dividers and two mini baskets and Perfect Bins™ Door Storage.

### Smooth-Glide™ Crisper Drawers

*(E32AR75JPS)*

Crisper Drawers smoothly glide out and keep even the most delicate fruits and vegetables fresh with adjustable humidity control and minimal temperature variation.

### Theatre Lighting

Our ramp-up designer LED lighting is as beautiful as it is functional, keeping the contents clearly visible.

### Custom-Set™ Controls

Offer more precise temperature control.

### Luxury-Quiet™ Design

Designed for consistently quiet operation.

### Optional Louvered Trim Kits

Order a single or double louvered trim kit for a built-in integrated look.





**Built-In All Freezer & All Refrigerator**

model comparison chart

*Note: For planning purposes only. Refer to Product Installation Guide on the web at [electroluxicon.com](http://electroluxicon.com) for detailed instructions. Specifications subject to change.*

Model	E32AF75JPS
Series	Professional
Nominal Width	32"
ENERGY STAR®	Yes
Star-K® Certified (Sabbath Mode)	Yes
<b>Capacities</b>	
Volume	18.6 Cu. Ft.
Shelf Area	19.71 Cu. Ft.
<b>Exterior</b>	
Professional Door & Handle Design	Yes
Custom-Set™ Electronic Controls	Yes
Hidden Door Hinge Covers	Yes
Air Filter Indicator	Yes
Electronic Control Lock	Yes
<b>Interior Conveniences</b>	
PureAdvantage® Air Filter	Yes
Custom-Design™ Glass Shelves	2
Smooth-Glide™ Full-Width Bottom Basket	1
Smooth-Glide™ Full-Width Mid-Level Baskets	2
Soft Freeze™ Bin w/ Tall Bottle Retainer	1
Extreme Freeze™	Yes
Clear Half-Width 1-Liter Adjustable Door Bin	4
Condiment Shelf	1
Theatre Lighting	Yes
Custom-Set™ Digital Temperature Control System	Yes
Temp Alarm System / Door Ajar Alarm / Power Failure Alarm	Yes
Ice Maker	Yes
Door Closer	Yes
Luxury-Quiet™ Design	Yes
<b>Optional Accessories</b>	
Single Louvered Trim Kit	PN # TRIMKITSS1
Double Louvered Trim Kit	PN # TRIMKITSS2
PureAdvantage® Air Filter Replacement Cartridge	PN # EAFCBF
<b>Specifications*</b>	
Product Dimensions –	
Height (Cabinet) (Including Door)	70-5/8" 71-3/8"
Width	32"
Depth (Including Door) (with 90° Door Open)	26-1/2" 57-1/4"
Cutout Dimensions (H x W x D) –	
Built-In Installation without Trim Kit:	
Single Unit	72" x 33" x 25-1/4" min. <sup>2</sup>
Double Unit (Side-by-Side)	72" x 66" x 25-1/4" min. <sup>2</sup>
Built-In Installation with Trim Kit & Leveling System <sup>1</sup> :	
Single Unit	75" or 79" x 33" x 25-1/4" min. <sup>2</sup>
Double Unit (Side-by-Side)	75" or 79" x 66" x 25-1/4" min. <sup>2</sup>
Power Supply Connection Location	Right Bottom Rear
Water Inlet Location	Left Bottom Rear
Voltage Rating	120V / 60 Hz / 20A
Conn. Load (kW Rating) @ 115 Volts	0.55
Minimum Circuit Required (Amps)	20
Shipping Weight (Approx.)	247 Lbs.

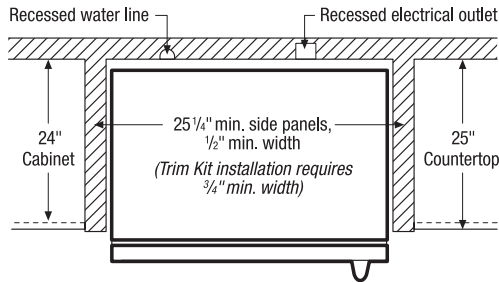
Model	E32AR75JPS
Series	Professional
Nominal Width	32"
ENERGY STAR®	Yes
Star-K® Certified (Sabbath Mode)	Yes
<b>Capacities</b>	
Volume	18.6 Cu. Ft.
Shelf Area	22.38 Cu. Ft.
<b>Exterior</b>	
Professional Door & Handle Design	Yes
Custom-Set™ Electronic Controls	Yes
Hidden Door Hinge Covers	Yes
Air Filter Indicator	Yes
Electronic Control Lock	Yes
<b>Interior Conveniences</b>	
PureAdvantage® Air Filter	Yes
Custom-Design™ Glass Shelves	3
Smooth-Glide™ Full-Extension Crispers / Fresh Zone™	1
Smooth-Glide™ Full-Extension Deli Drawer / Cool Zone™	1
3-Position Adjustable Crisper Dividers	2
Removable Basket Trays	2
Adjustable Dairy Door Bin	1
Full-Width 1-Gallon Storage with Tall Bottle Retainer	1
Clear Half-Width 1-Liter Adjustable Door Bins	3
Perfect Bins™ Door Storage	1
Full-Width Condiment Shelf	1
Theatre Lighting	Yes
Custom-Set™ Digital Temperature Control System	Yes
Temp Alarm System / Door Ajar Alarm / Power Failure Alarm	Yes
Door Closer	Yes
Luxury-Quiet™ Design	Yes
<b>Optional Accessories</b>	
Single Louvered Trim Kit	PN # TRIMKITSS1
Double Louvered Trim Kit	PN # TRIMKITSS2
PureAdvantage® Air Filter Replacement Cartridge	PN # EAFCBF
<b>Specifications*</b>	
Product Dimensions –	
Height (Cabinet) (Including Door)	70-5/8" 71-3/8"
Width	32"
Depth (Including Door) (with 90° Door Open)	26-1/2" 57-1/4"
Cutout Dimensions (H x W x D) –	
Built-In Installation without Trim Kit:	
Single Unit	72" x 33" x 25-1/4" min. <sup>2</sup>
Double Unit (Side-by-Side)	72" x 66" x 25-1/4" min. <sup>2</sup>
Built-In Installation with Trim Kit & Leveling System <sup>1</sup> :	
Single Unit	75" or 79" x 33" x 25-1/4" min. <sup>2</sup>
Double Unit (Side-by-Side)	75" or 79" x 66" x 25-1/4" min. <sup>2</sup>
Power Supply Connection Location	Right Bottom Rear
Voltage Rating	120V / 60 Hz / 20A
Conn. Load (kW Rating) @ 115 Volts	0.55
Minimum Circuit Required (Amps)	20
Shipping Weight (Approx.)	240 Lbs.

\*For further specifications and installation details refer to model-specific Planning Information page.

<sup>1</sup>For 79" cutout opening height, installation requires use of top louvered grille. For 75" cutout opening height, installation requires use of top trim piece and shortening of both side trim pieces.

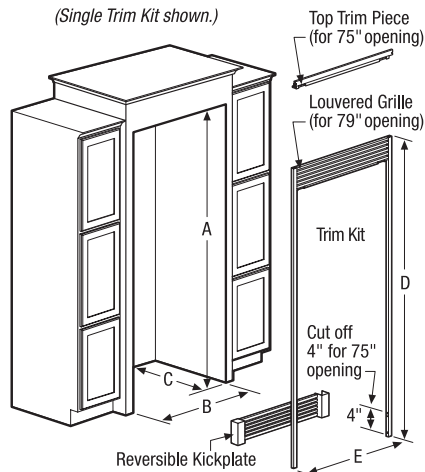
<sup>2</sup>Minimum depth from face of cabinet side panels and requires recessed electrical outlet

# Built-In All Freezer & All Refrigerator



## Optional Trim Kits & Dimensions

Kits include top and side trim pieces, louvered grille, reversible kickplate and leveling system to fit 75" or 79" opening height.



**Single Louvered Trim Kit**  
**PN# TRIMKITSS1**  
 (D) 75 1/8" or 79 1/8"  
 (E) 34 3/4"

**Double Louvered Trim Kit**  
**PN# TRIMKITSS2**  
 (Includes hardware to secure side-by-side units together.)  
 (D) 75 1/8" or 79 1/8"  
 (E) 67 1/8"

Note: Both kits attach directly to cabinetry through top trim piece or louvered grille to stabilize unit(s). Refer to detailed kit installation instructions packed with kit or on web.

## All-Freezer Cutout Dimensions

### Built-In Installation (without Trim Kit)

**Single Unit**  
 (A) 72" (B) 33" (C) 25 1/4" min.\*  
**Double Unit (Side-by-Side)**  
 (A) 72" (B) 66" (C) 25 1/4" min.\*

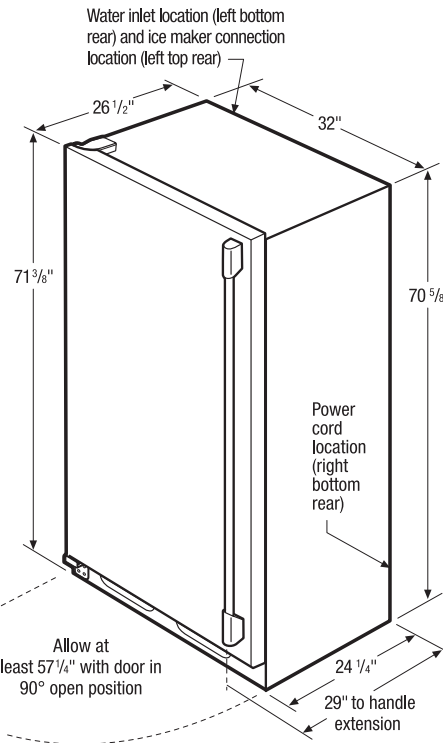
### Built-In Installation (with Trim Kit & Leveling System)

**Single Unit**  
 (A) 75" or 79" (B) 33" (C) 25 1/4" min.\*  
**Double Unit (Side-by-Side)**  
 (A) 75" or 79" (B) 66" (C) 25 1/4" min.\*

### Leveling System

(2) per unit raises height 2-9/16" min.  
 Only available with trim kits.

\*Minimum depth from face of cabinet side panels and requires recessed electrical outlet.



## planning information

**For model:**  
**E32AF75JPS**

Note: For planning purposes only. Refer to Product Installation Guide on the web at [electroluxicon.com](http://electroluxicon.com) for detailed instructions. Specifications subject to change.

## Installation Specifications

- Product Weight – 237 Lbs.
- An electrical supply with grounded three-prong receptacle is required. The power supply circuit must be installed in accordance with current edition of *National Electrical Code (NFPA 70)* and local codes & ordinances.
- Voltage Rating – 120V / 60 Hz / 20 Amps
- Connected Load (kW Rating) @ 115 Volts = 0.55 kW
- Amps @ 115 Volts = 5 Amps
- Always consult local and national electric & plumbing codes.
- Water line for ice maker can enter opening through floor or rear wall. Copper tubing recommended between cold water line and water connection location. Water line tubing recommended is 48" minimum length by 1/4" diameter. Installation of easily accessible shutoff valve in water line required.
- Minimum 25-1/4" depth requires recessed electrical outlet and copper water line.
- To allow for ease of installation, tape excess power cord to back of unit.
- To allow for ease of moving out side-by-side units after installation, 84" minimum length of coiled copper tubing recommended.

- When installing freezer adjacent to wall, cabinet or other appliance that extends beyond front edge of unit, 20" minimum clearance recommended to allow for optimum 140° door swing, providing complete drawer / crisper access and removal. (*Absolute 4" min. clearance will ONLY allow for 90° door swing which will provide limited drawer / crisper access with restricted removal.*)
- Freezer must be placed on level surface of hard material, same height as flooring. Surface must support approximately 800 lbs. when fully loaded. Unit equipped with 4-point leveling.

### "Built-In Look" Specifications

- Minimum opening of 72" H x 33" W x 25-1/4" D required for single-unit "Built-In Look" installation; 66" W required for double-unit installation. (72" H to be measured from finished floor to underside of soffit or overhead cabinet.)
- Remove all wall / floor molding prior to built-in installation.

### Optional Trim Kit Specifications

- If optional Single or Double Louvered Trim Kit is to be used, different cutout dimensions are required. Kits can be adapted to fit either 75" or 79" opening height. (*Refer to cutout dimensions on this page and detailed Louvered Trim Kit installation instructions included with kit or on web.*)
- Remove all wall / floor molding prior to built-in installation.

## Optional Accessories

### Single Louvered Trim Kit TRIMKITSS1

For single unit installation. Includes louvered top grille and vented, louvered toe kick, 2-9/16" H leveling system and side/top trim pieces.

### Double Louvered Trim Kit TRIMKITSS2

For double unit, side-by-side installation. Includes full-width, louvered top grille and vented, louvered toe kick, two 2-9/16" H leveling systems, side/top trim pieces and hardware to secure side-by-side units together.

PureAdvantage®  
 Air Filter Replacement Cartridge  
 PN# EAFCBF

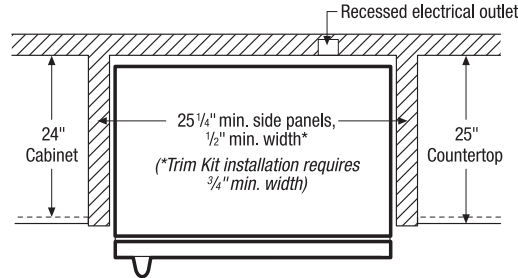




## Built-In All Freezer &amp; All Refrigerator

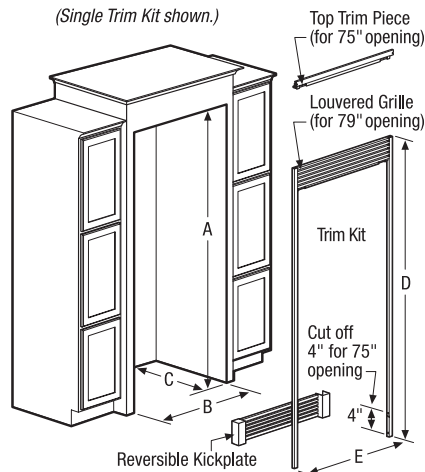
## planning information

For model:  
**E32AR75JPS**



## Optional Trim Kits &amp; Dimensions

Kits include top and side trim pieces, louvered grille, reversible kickplate and leveling system to fit 75" or 79" opening height.



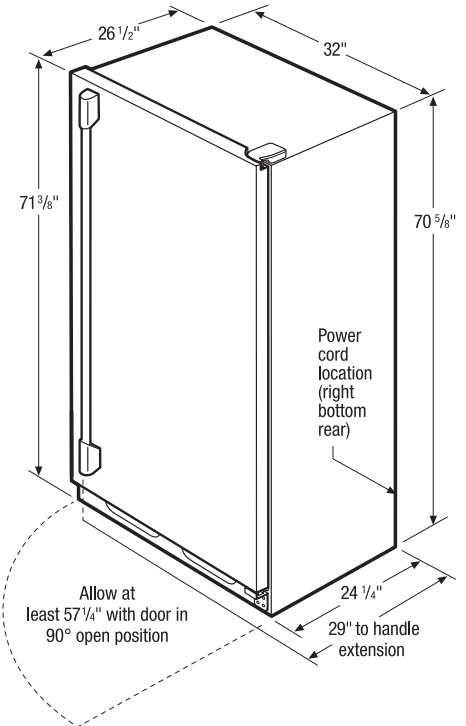
## Single Louvered Trim Kit

PN# TRIMKITSS1  
(D) 75 1/8" or 79 1/8"  
(E) 34 3/4"

## Double Louvered Trim Kit

PN# TRIMKITSS2  
(Includes hardware to secure side-by-side units together.)  
(D) 75 1/8" or 79 1/8"  
(E) 67 1/8"

Note: Both kits attach directly to cabinetry through top trim piece or louvered grille to stabilize unit(s). Refer to detailed kit installation instructions packed with kit or on web.



## All-Refrigerator Cutout Dimensions

## Built-In Installation (without Trim Kit)

Single Unit  
(A) 72" (B) 33" (C) 25 1/4" min.\*  
Double Unit (Side-by-Side)  
(A) 72" (B) 66" (C) 25 1/4" min.\*

## Built-In Installation (with Trim Kit &amp; Leveling System)

Single Unit  
(A) 75" or 79" (B) 33" (C) 25 1/4" min.\*  
Double Unit (Side-by-Side)  
(A) 75" or 79" (B) 66" (C) 25 1/4" min.\*

## Leveling System

(2) per unit raises height 2-9/16" min.  
Only available with trim kits.



\*Minimum depth from face of cabinet side panels and requires recessed electrical outlet.

## Optional Accessories

Single Louvered Trim Kit  
TRIMKITSS1

For single unit installation. Includes louvered top grille and vented, louvered toe kick, 2-9/16" H leveling system and side/top trim pieces.

Double Louvered Trim Kit  
TRIMKITSS2

For double unit, side-by-side installation. Includes full-width, louvered top grille and vented, louvered toe kick, two 2-9/16" H leveling systems, side/top trim pieces and hardware to secure side-by-side units together.

PureAdvantage®  
Air Filter Replacement Cartridge  
PN# EAFCBF

## Installation Specifications

- Product Weight – 230 Lbs.
- An electrical supply with grounded three-prong receptacle is required. The power supply circuit must be installed in accordance with current edition of *National Electrical Code (NFPA 70)* and local codes & ordinances.
- Voltage Rating – 120V / 60 Hz / 20 Amps
- Connected Load (kW Rating) @ 115 Volts = 0.55 kW
- Amps @ 115 Volts = 5 Amps
- Always consult local and national electric codes.
- Minimum 25-1/4" depth requires recessed electrical outlet.
- To allow for ease of installation, tape excess power cord to back of unit.
- When installing refrigerator adjacent to wall, cabinet or other appliance that extends beyond front edge of unit, 20" minimum clearance recommended to allow for optimum 140° door swing, providing complete drawer / crisper access and removal. (Absolute 4" min. clearance will ONLY allow for 90° door swing which will provide limited drawer / crisper access with restricted removal.)

- Refrigerator must be placed on level surface of hard material, same height as flooring. Surface must support approximately 800 lbs. when fully loaded. Unit equipped with 4-point leveling.

## "Built-In Look" Specifications

- Minimum opening of 72" H x 33" W x 25-1/4" D required for single-unit "Built-In Look" installation; 66" W required for double-unit installation. (72" H to be measured from finished floor to underside of soffit or overhead cabinet.)
- Remove all wall / floor molding prior to built-in installation.

## Optional Trim Kit Specifications

- If optional Single or Double Louvered Trim Kit is to be used, different cutout dimensions are required. Kits can be adapted to fit either 75" or 79" opening height. (Refer to cutout dimensions on this page and detailed Louvered Trim Kit installation instructions included with kit or on web.)
- Remove all wall / floor molding prior to built-in installation.

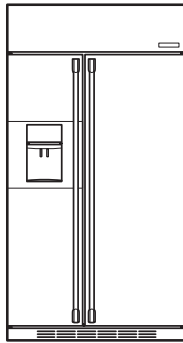




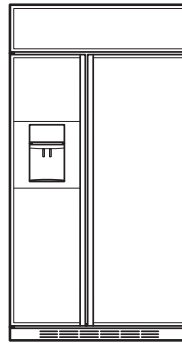
# refrigeration

## 42" Built-In Refrigerators

### models



E42BS75EPS  
professional series



E42BS75ETT  
panel ready

### features

#### True Built-In Side-By-Side

(E42BS75EPS)

Flush stainless steel dispenser fascia, toe kick and grille cover blend harmoniously with the exterior of this slim profile refrigerator to create a true built-in look.

#### True Built-In Panel-Ready

(E42BS75ETT)

Stainless steel trim and full-length extruded handles accept custom panels to blend harmoniously with your kitchen decor. Dispenser fascia is black.

#### PureAdvantage® Water Filtration System

The most advanced water filtration system available offers cleaner, fresher ice and water. A status light alerts when the filter needs to be replaced, then with one touch, the drip-free cartridge can be exchanged.

*Replacement Water Filter (PN # EWF2CBPA)*

#### Dynamic Cool™ with Custom-Set™ Digital Temperature Control System

Sensor-controlled chilling with dual evaporator cooling system. Amazingly consistent interior temperature will keep your food fresher longer.

#### Theatre Lighting

Tri-level lighting with ultrawhite bulbs reduces shadows and illuminates contents for easy visibility regardless of shelf placement.

#### Express Ice™

Creates ice according to your family's needs with the touch of a button.

#### Extra-Wide Glass Shelving

Encapsulated shelves contain spills of up to 24 ounces for quick and easy cleanup and fully extend for complete access to all contents.

#### Smooth-Glide™ Crisper Drawers

Crisper Drawers smoothly glide out and keep even the most delicate fruits and vegetables fresh with adjustable humidity control and minimal temperature variation.



42" Built-In Refrigerators

model comparison chart

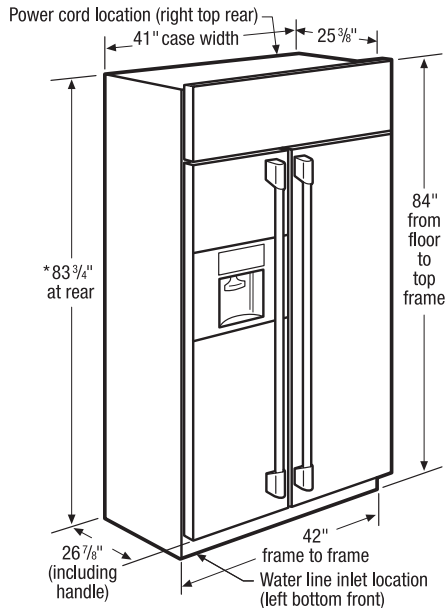
**Note:** For planning purposes only. Refer to Product Installation Guide on the web at [electroluxicon.com](http://electroluxicon.com) for detailed instructions. Specifications subject to change.

Model	E42BS75EPS	E42BS75ETT <sup>1</sup>
<b>Series</b>	Professional	Panel Ready
<b>Nominal Width</b>	42"	42"
<b>Type</b>	Built In	Built In
<b>Capacities</b>		
Total Capacity	25.2 Cu. Ft.	25.2 Cu. Ft.
Fresh Food Volume	15.6 Cu. Ft.	15.6 Cu. Ft.
Freezer Volume	9.6 Cu. Ft.	9.6 Cu. Ft.
<b>Exterior</b>		
Ice/Water Dispenser –		
Electronic Touch Control	Yes	Yes
Night Light	Yes	Yes
Temperature Display	Yes	Yes
Crushed/Cubes/Water	Yes	Yes
Express Ice™	Yes	Yes
Lock	Yes	Yes
Filter Reset	Yes	Yes
Interior Easy Access Door	Yes	Yes
<b>Fresh Food Conveniences</b>		
Filtration System	PureAdvantage®	PureAdvantage®
Filter Location	Front	Front
Door Ajar Alarm	Yes	Yes
Encapsulated Sliding Glass Shelves	3	3
Smooth-Glide™ Crisper Drawers	3	3
Humidity Controls	2	2
1-Gallon Fixed Door Bin	1	1
2-Liter Adjustable Door Bin	3	3
Dairy Compartment with Clear Door	1	1
Door Bin Snugglers	3	3
Theatre Lighting	Yes	Yes
Dynamic Cool™ Digital Temperature Control System	Yes	Yes
<b>Freezer Conveniences</b>		
Automatic Ice Maker with Ice Server	Factory Installed	Factory Installed
Smooth-Glide™ Baskets	2	2
Fixed Door Bin	3	3
Dual-Level Lighting	Yes	Yes
<b>Installation</b>		
Adjustable Rollers	Yes	Yes
Door Stops	Yes	Yes
<b>Optional Accessories</b>		
PureAdvantage® Water Filter Replacement Cartridge	PN # EWF2CBPA	PN # EWF2CBPA
<b>Specifications*</b>		
<b>Product Dimensions –</b>		
Height	84"	84"
Width	42"	42"
Depth (including handle) (with 90° door open)	26-7/8" 47-7/8"	26-7/8" 47-7/8"
<b>Cutout Dimensions –</b>		
Height (min.) (max.)	83-1/2" 84-1/2"	83-1/2" 84-1/2"
Width	41-1/2"	41-1/2"
Depth (min.)	24"	24"
Power Cord Location	Right Top Rear	Right Top Rear
Water Line Inlet Location	Left Bottom Front	Left Bottom Front
Voltage Rating	120V/60 Hz/15 or 20A	120V/60 Hz/15 or 20A
Connected Load (kW Rating) @ 120 Volts	0.65	0.65
Shipping Weight (Approx.)	630 Lbs.	610 Lbs.

\*For further specifications and installation details refer to model-specific Planning Information page.

<sup>1</sup>Refrigerator handles for E42BS75ETT are part number 241650502 – shipped in separate box.

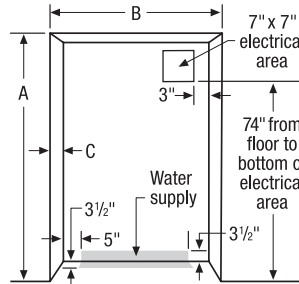
## 42" Built-In Refrigerators



\* Shipping height. (Front height may be adjusted from 83-1/2" to 84-1/2" by adjusting leveling legs a max. of 1".)

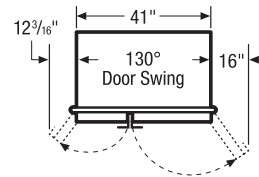
### Cutout Dimensions

- (A) Finished opening:  
83 1/2" min.  
84 1/2" max.
- (B) 41 1/2"
- (C) 24"



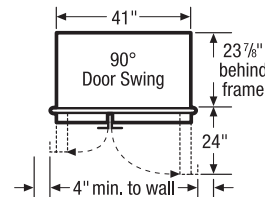
### Door-Swing Clearances

Refrigerator equipped with 2-position door stop. Factory set to 130°, adjustable to 90° if clearance to adjacent cabinets or wall is restricted.



### Notes:

A 4" min. door clearance is required when using 90° door stop position. Drawer access is maintained, but removal is restricted. To determine door swing interaction with adjacent cabinets and countertops refer to Product Installation Guide on web at [electroluxicon.com](http://electroluxicon.com).



## Installation Specifications

- Product Weight – 610 Lbs.
- Voltage Rating – 120V/60Hz/15 or 20 Amps
- Connected Load (kW Rating) @ 120 Volts = 0.65 kW (For use on adequately wired 120V, dedicated circuit having 2-wire service with a separate ground wire. Appliance must be grounded for safe operation.)
- Amps @ 120 Volts = 5.4 Amps
- Always consult local and national electric & plumbing codes.
- Cutout must be prepared with electrical and water supply located as shown. When possible, recess copper water line and electrical outlet.
- Water line can enter opening through floor or rear wall. Copper tubing recommended between cold water line and water connection location. Water line tubing recommended is 48" minimum length by 1/4" diameter. Installation of easily accessible shutoff valve in water line required.

- Optimum door swing factory set for 130°. When installing next to wall where handle may make contact, allow 4" minimum clearance for 90° door swing. At 90° door stop position, drawer access will be maintained but removal will be restricted.
- Refrigerator must be placed on level surface of hard material, same height as flooring. Surface must support approximately 1500 Lbs. when fully loaded. Unit equipped with 4-point leveling.

## planning information

**For model:**  
**E42BS7E5PS**

*Note: For planning purposes only. Refer to Product Installation Guide on the web at [electroluxicon.com](http://electroluxicon.com) for detailed instructions. Specifications subject to change.*

## Optional Accessories

PureAdvantage®  
Water Filter Replacement  
Cartridge  
PN# EWF2CBPA



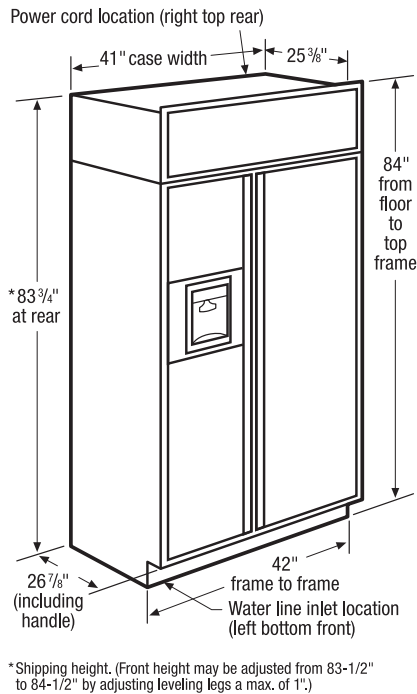


## 42" Built-In Refrigerators

## planning information

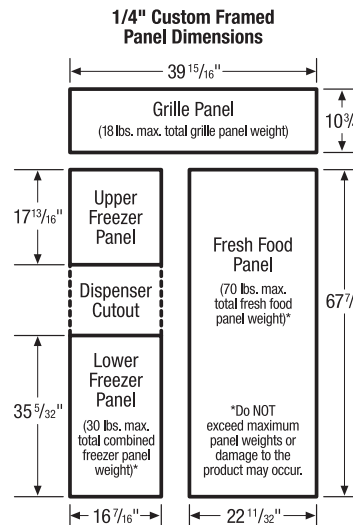
For model:  
**E42BS75ETT**

**Note:** For planning purposes only. Refer to Product Installation Guide on the web at [electroluxicon.com](http://electroluxicon.com) for detailed instructions. Specifications subject to change.



## Custom Panel Installation

This refrigerator is designed to accept custom panels to match your kitchen decor. The following panel design options can be field-installed on this model:



## 1/4" Custom Framed Panels

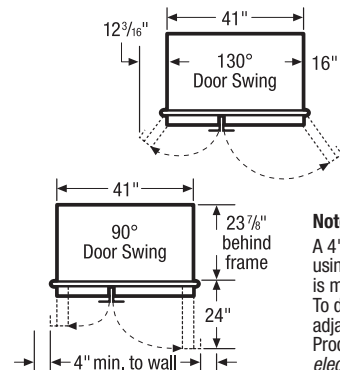
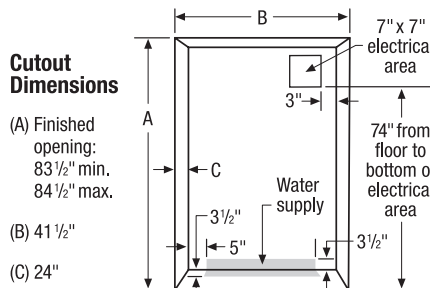
To be fabricated by a local shop or custom cabinet supplier to dimensions and specifications shown. Panels will slide into frame on doors and grille.\*

## 3/4" Custom Framed or Full-Width Overlay Panels

To be fabricated by a local shop or custom cabinet supplier. For detailed dimensions and specifications on this installation procedure refer to Product Installation Guide on web at [electroluxicon.com](http://electroluxicon.com).

Two ice/water dispenser trims are supplied with this model, one to be used with 0.250" thick framed panels and one to be used with 1.100" thick overlay panels.

\*For installation of custom panels less than 1/4" thick, filler material or foam tape can be used to improve fit.



## Door-Swing Clearances

Refrigerator equipped with 2-position door stop. Factory set to 130°; adjustable to 90° if clearance to adjacent cabinets or wall is restricted.

## Notes:

A 4" min. door clearance is required when using 90Y door stop position. Drawer access is maintained, but removal is restricted. To determine door swing interaction with adjacent cabinets and countertops refer to Product Installation Guide on web at [electroluxicon.com](http://electroluxicon.com).

## Optional Accessories

PureAdvantage®  
Water Filter Replacement  
Cartridge  
PN # EWF2CBPA

## Installation Specifications

- Product Weight – 600 Lbs.
- Voltage Rating – 120V/60 Hz/15 or 20 Amps
- Connected Load (kW Rating) @ 120 Volts = 0.65 kW (For use on adequately wired 120V, dedicated circuit having 2-wire service with a separate ground wire. Appliance must be grounded for safe operation.)
- Amps @ 120 Volts = 5.4 Amps
- Always consult local and national electric & plumbing codes.
- Cutout must be prepared with electrical and water supply located as shown. When possible, recess copper water line and electrical outlet.
- Water line can enter opening through floor or rear wall. Copper tubing recommended between cold water line and water connection location. Water line tubing recommended is 48" minimum length by 1/4" diameter. Installation of easily accessible shutoff valve in water line required.

- Optimum door swing factory set for 130°. When installing next to wall where handle may make contact, allow 4" minimum clearance for 90° door swing. At 90° door stop position, drawer access will be maintained but removal will be restricted.
- Refrigerator must be placed on level surface of hard material, same height as flooring. Surface must support approximately 1500 Lbs. when fully loaded. Unit equipped with 4-point leveling.
- Refrigerator door handles (PN # 241650502) are designed to accommodate both framed and custom panels. (Handles ship in separate box.)

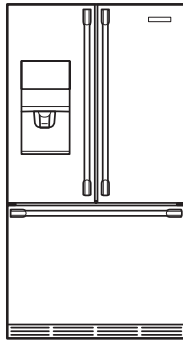
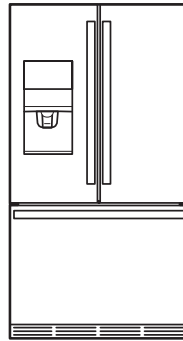
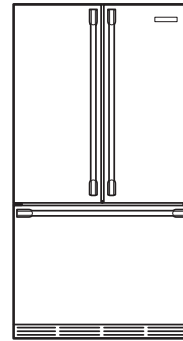
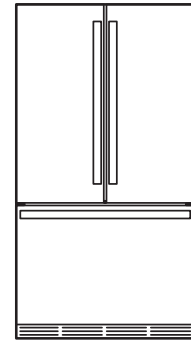
## Custom Panel Specifications

- For 1/4" framed or 1/4" custom panel construction and installation details, refer to Custom Panel Installation above.
- For 3/4" custom panel construction and installation details, and to determine door swing interaction with adjacent cabinets and countertops, refer to Product Installation Guide on the web at [electroluxicon.com](http://electroluxicon.com).



**Counter-Depth French Door Refrigerators**

models

E23BC78IPS  
professional seriesE23BC78ISS  
designer seriesE23BC68JPS  
professional seriesE23BC68JSS  
designer series

features

**Custom Temp Drawer™**

Enjoy the ultimate in versatility with 9 preset selections including White/Sparkling Wine, Fish/Shellfish and Cheese plus three customizable settings that ensure that foods stay at the ideal temperature for serving and maintaining freshness.

**Theatre Lighting**

Transition lighting gradually illuminates the interior with soft but ample light as you open the door.

**Smooth-Glide™ Crisper Drawer**

Crisper Drawers smoothly glide out and keep even the most delicate fruits and vegetables fresh with adjustable humidity control and minimal temperature variation.

**Custom-Design™ Glass Shelves**

All-glass shelves are as beautiful as functional. The flexible shelves can be arranged in a variety of configurations to fit wide and tall items.

**Twice the Ice**

Enjoy filtered, restaurant quality ice, twice the ice as any refrigerator ice maker\* – up to 9 pounds in 24 hours – and the Perfect Ice™ for all of your entertainment needs.

\*Up to 9 pounds in 24 hours under normal conditions – 0°F freezer, 37°F fresh food and based on bottom freezer models with exterior ice and water and a suggested MSRP greater than \$2700.

**Wave-Touch™ Controls**

(E23BC78IPS, E23BC78ISS)

Sleek control panel illuminates with a touch and fades away to an uncluttered display after an option is selected.

**Custom-Design™ Organization System**

With our flexible tri-level freezer organization system you can keep your freezer well organized. The three Smooth-Glide™ baskets with removable dividers and top removable baskets allow you to configure the space to neatly fit large and small items.

**Smooth-Glide™ Freezer Drawers**

Drawers glide out smoothly and fully extend giving you easy access to what's inside.

**PureAdvantage® Filtration Systems**

Our filtration system keeps clean, filtered air circulated throughout to prevent odor transfer and keeps fresh, clean water and ice at your fingertips.

*Replacement Water Filter (PN # EWF01)*

*Replacement Air Filter (PN # EAFCBF)*

**Optional Trim Kits**

Order a collar kit or louvered trim kit for a built-in integrated look.





Counter-Depth French Door Refrigerators

model comparison chart

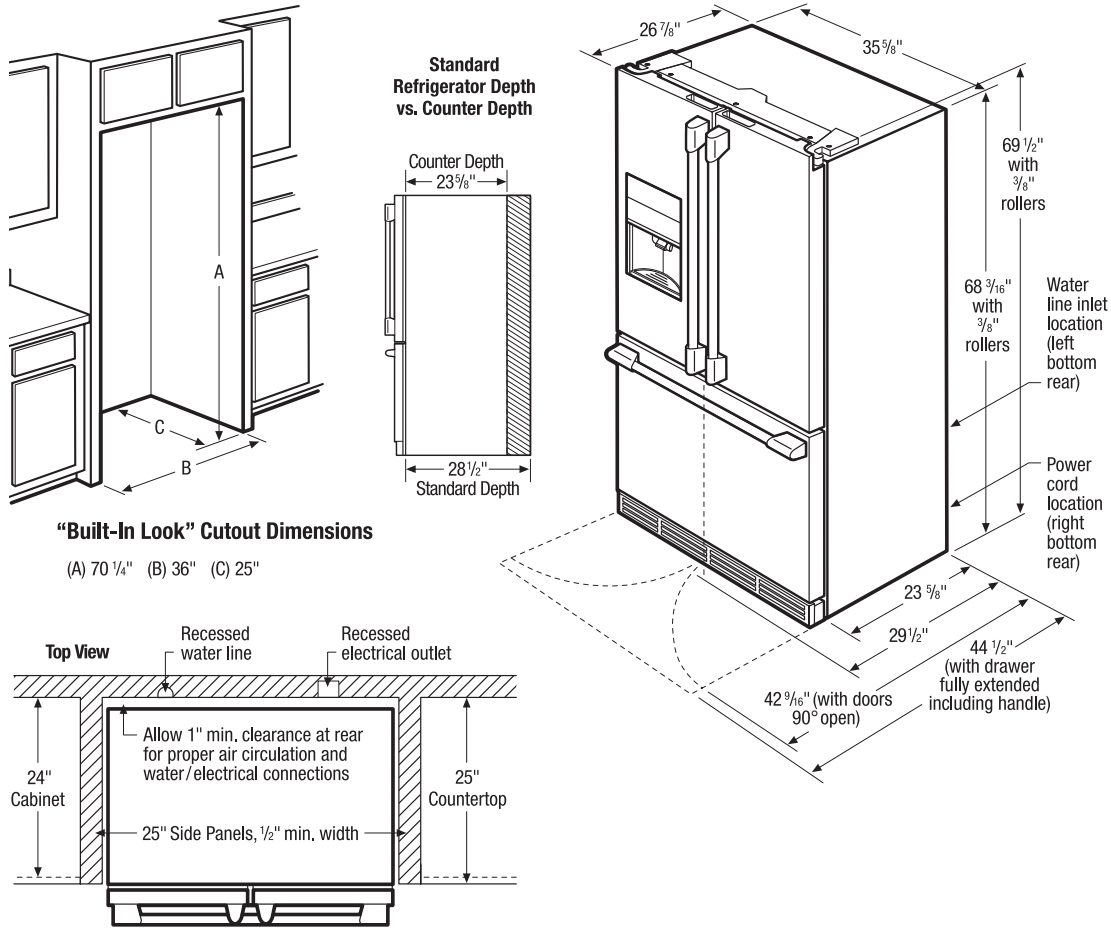
*Note: For planning purposes only. Refer to Product Installation Guide on the web at [electroluxicon.com](http://electroluxicon.com) for detailed instructions. Specifications subject to change.*

Model	E23BC78IPS	E23BC78ISS	E23BC68JPS	E23BC68JSS
<b>Series</b>	Professional	Designer	Professional	Designer
<b>Type</b>	Counter Depth	Counter Depth	Counter Depth	Counter Depth
<b>ENERGY STAR®</b>	Yes	Yes	Yes	Yes
<b>Star-K® Certified (Sabbath Mode)</b>	Yes	Yes	Yes	Yes
<b>Capacities</b>				
Total Capacity	22.6 Cu. Ft.	22.6 Cu. Ft.	22.6 Cu. Ft.	22.6 Cu. Ft.
Fresh Food Volume	15.7 Cu. Ft.	15.7 Cu. Ft.	15.7 Cu. Ft.	15.7 Cu. Ft.
Freezer Volume	6.9 Cu. Ft.	6.9 Cu. Ft.	6.9 Cu. Ft.	6.9 Cu. Ft.
Total Shelf Area	26.45 Sq. Ft.	26.45 Sq. Ft.	26.45 Sq. Ft.	26.45 Sq. Ft.
Fresh Food Shelf Area	18.72 Sq. Ft.	18.72 Sq. Ft.	18.72 Sq. Ft.	18.72 Sq. Ft.
Freezer Shelf Area	7.7 Sq. Ft.	7.7 Sq. Ft.	7.7 Sq. Ft.	7.7 Sq. Ft.
<b>Exterior</b>				
Wave-Touch™ Electronic Controls	Yes	Yes		
Custom-Set™ Electronic Controls	Yes	Yes	Yes	Yes
Ice/Water Dispenser	Yes	Yes		
Custom-Set™ Temperature Control System/Display	Yes	Yes		
Crushed/Cubes/Water	Yes	Yes		
Air and Water Filter Indicator/Reset	Yes	Yes		
Ice Maker On/Off	Yes	Yes		
Fast Freeze™	Yes	Yes		
Lock	Yes	Yes		
Dispenser Light Control	Yes	Yes		
<b>Fresh Food Conveniences</b>				
PureAdvantage® Air and Water Filtration Systems	Yes	Yes	Yes	Yes
Water Filter Location	Bottom Left	Bottom Left	Bottom Left	Bottom Left
Temp/Door Ajar/Power Failure Alarms	Yes	Yes	Yes	Yes
Custom-Design™ Glass Shelves	3 Half/1 Quarter Width	3 Half/1 Quarter Width	4 Half Width	4 Half Width
Smooth-Glide™	Yes	Yes	Yes	Yes
Humidity-Controlled Crispers				
Custom Temp Drawer™	Yes	Yes	Yes	Yes
Wine Rack	Yes	Yes	Yes	Yes
Gallon Adjustable Door Bins	1 Clear	1 Clear	2 Clear	2 Clear
1/2-Gallon Adjustable Door Bins	1 Clear	1 Clear	3 Clear	3 Clear
2-Liter/1/2-Gallon Removable Door Bins	2 Clear	2 Clear		
Locking Clear Utility Bin	Yes	Yes	Yes	Yes
Tilt-Out Can Racks	2	2	2	2
Theatre Multilevel LED Lighting	Yes	Yes	Yes	Yes
Automatic Ice Maker	Yes	Yes		
<b>Freezer Conveniences</b>				
Automatic Ice Maker			Yes	Yes
Ice Maker On/Off			Yes	Yes
Fast Ice™			Yes	Yes
Self-Closing Drawer	Yes	Yes	Yes	Yes
Sliding Full-Width Freezer Baskets	3 Smooth-Glide™ (2 w/Dividers)	3 Smooth-Glide™ (2 w/Dividers)	2 Smooth-Glide™ (w/Dividers)/1 Half Width	2 Smooth-Glide™ (w/Dividers)/1 Half Width
Plastic Basket Tray	1	1	1	1
Tilt-Out Wire Door Racks	1	1	1	1
Theatre Multilevel LED Lighting	Yes	Yes	Yes	Yes
<b>Optional Accessories</b>				
Collar Kit <sup>1</sup>	PN # ECK23CDS	PN # ECK23CDS	PN # ECK23CDS	PN # ECK23CDS
Louvered Trim Kit <sup>1</sup>	PN # 241723001	PN # 241723001	PN # 241723001	PN # 241723001
PureAdvantage® Water Filter Replacement Cartridge	PN # EWF01	PN # EWF01	PN # EWF01	PN # EWF01
PureAdvantage® Air Filter Replacement Cartridge	PN # EAFCBF	PN # EAFCBF	PN # EAFCBF	PN # EAFCBF
<b>Specifications*</b>				
<b>Product Dimensions –</b>				
Height (including hinge/rollers)	69-1/2"	69-1/2"	69-1/2"	69-1/2"
Width	35-5/8"	35-5/8"	35-5/8"	35-5/8"
Depth (including handle) (w/90° door open)	29-1/2"	29-1/2"	29-1/2"	29-1/2"
(w/drawer fully extended)	42-9/16"	42-9/16"	42-9/16"	42-9/16"
44-1/2"		44-1/2"	44-1/2"	44-1/2"
<b>Cutout Dimensions (H x W x D)</b>	70-1/4" x 36" x 25"	70-1/4" x 36" x 25"	70-1/4" x 36" x 25"	70-1/4" x 36" x 25"
<b>Power Supply Connection Location</b>	Right Bottom Rear	Right Bottom Rear	Right Bottom Rear	Right Bottom Rear
<b>Water Inlet Location</b>	Left Bottom Rear	Left Bottom Rear	Left Bottom Rear	Left Bottom Rear
<b>Voltage Rating</b>	120V/60 Hz/15 or 20A	120V/60 Hz/15 or 20A	120V/60 Hz/15 or 20A	120V/60 Hz/15 or 20A
<b>Connected Load (kW Rating) @ 120 Volts</b>	1.02	1.02	1.02	1.02
<b>Minimum Circuit Required (Amps)</b>	15	15	15	15
<b>Shipping Weight (Approx.)</b>	348 Lbs.	348 Lbs.	348 Lbs.	348 Lbs.

\*For further specifications and installation details refer to model-specific Planning Information page.

<sup>1</sup>If optional Collar Kit or Louvered Trim Kit is to be used, different cutout dimensions are required. Refer to Optional Trim Kit Specifications section on model-specific Planning Information page.

# Counter-Depth French Door Refrigerators



planning information

**For models:**  
**E23BC78IPS**  
**E23BC78ISS**  
**E23BC68JPS**  
**E23BC68JSS**

*Note:* For planning purposes only. Refer to Product Installation Guide on the web at [electroluxicon.com](http://electroluxicon.com) for detailed instructions. Specifications subject to change.

Installation drawing shown with professional series model (E23BC78IPS).

## Installation Specifications

- Product Weight – 338 Lbs.
- An electrical supply with grounded three-prong receptacle is required. The power supply circuit must be installed in accordance with current edition of National Electrical Code (NFPA 70) and local codes & ordinances.
- Voltage Rating – 120V / 60 Hz / 15 or 20 Amps
- Connected Load (kW Rating) @ 120 Volts = 1.02 kW
- Amps @ 120 Volts = 8.5 Amps
- Always consult local and national electric & plumbing codes.
- Floor should be level surface of hard material, capable of supporting fully loaded refrigerator.
- When installing refrigerator adjacent to wall, cabinet or other appliance that extends beyond front edge of unit, 20" minimum clearance recommended to allow for optimum 120° to 180° door swing, providing complete drawer / crisper access and removal. (*Absolute 4-1/2" minimum clearance will ONLY allow for 90° door swing which will provide drawer / crisper access with restricted removal.*)
- To ensure optimum performance, avoid installing in direct sunlight or close proximity to range, dishwasher or other heat source.
- For proper ventilation, front grille MUST remain unobstructed.

- Recess electrical outlet when possible.
- Water recess on rear wall recommended to prevent water line damage.
- Water Pressure – Cold water line must provide between 30 and 100 pounds per square inch (psi).
- Copper tubing with 1/4" O.D. recommended for water supply line with length equal to distance from rear of unit to household water supply line plus 7 additional feet. Optional Water Supply Installation Kits available.
- Adjustable front rollers to assist with door alignment.

### "Built-In Look" Specifications

- For built-in look, minimum cutout opening of 70-1/4" H x 36" W x 25" D required to allow for ease of installation, proper air circulation, and plumbing / electrical connections.

### Optional Trim Kit Specifications

For installation details refer to Project Planning Section.

- If optional Collar Kit (PN # ECK23CDS) is to be used, different cutout dimensions are required. (*Refer to Collar Kit ECK23CDS Installation Specifications page.*)
- If optional Louvered Trim Kit (PN # 241723001) is to be used, different cutout dimensions are required. (*Refer to Louvered Trim Kit 241723001 Installation Specifications page.*)
- Remove all wall / floor molding prior to installation.

## Optional Accessories

### Collar Kit

PN # ECK23CDS

Includes side and top trim pieces.

### Louvered Trim Kit

PN # 241723001

Includes 5" louvered top grille, side and top trim pieces.

### PureAdvantage® Water Filter Replacement Cartridge

PN # EWFO1

### PureAdvantage® Air Filter Replacement Cartridge

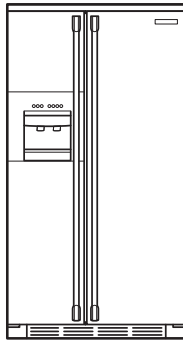
PN # EAFCBF



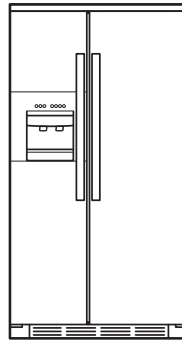


## Counter-Depth Side-by-Side Refrigerators

### models



E23CS78HPS  
professional series



E23CS78HSS  
designer series

### features

#### PureAdvantage® Water Filtration System

The most advanced water filtration system available offers cleaner, fresher ice and water. A status light alerts when the filter needs to be replaced, then with one touch, the drip-free cartridge can be exchanged.

*Replacement Water Filter (PN # EWF01)*

#### PureAdvantage® Air Filtration System

Continuously filters the circulated air to maintain a fresher, cleaner interior. A status light alerts when the filter needs to be replaced, then with one touch, the filter exchange is made simple and easy.

*Replacement Air Filter (PN # EAFCBF)*

#### Custom-Design™ Full-Depth Glass Shelves

Frameless shelving system is as beautiful as it is functional. Three Smooth-Glide™ fully extendable shelves provide easy access to all contents, also making it easier to locate smaller items that have been pushed to the back and can hold any spills that may happen.

#### Smooth-Glide™ Full-Extension System

Conveniently access the contents within the crispers, deli drawer and freezer basket using the ball bearing, fully extending racks.

#### Theatre Lighting

Soothing but adequate multi-transitional lighting within the refrigerator interior gradually illuminates your foods for easy selection.

#### Divided Crisper with Dual Humidity Control

The divided drawer with two individual humidity controls allows you to store a variety of fruits and vegetables with different humidity needs. The extra-large drawer features a removable divider for your added convenience.

#### Express Ice™

Creates ice according to your family's needs with the touch of a button.

#### Optional Trim Kits

Order a collar kit or louvered trim kit for a built-in integrated look.



Counter-Depth Side-by-Side Refrigerators

model comparison chart

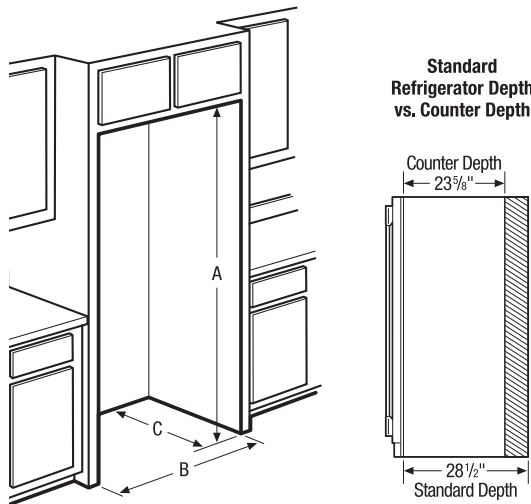
*Note: For planning purposes only. Refer to Product Installation Guide on the web at [electroluxicon.com](http://electroluxicon.com) for detailed instructions. Specifications subject to change.*

Model	E23CS78HPS	E23CS78HSS
<b>Series</b>	Professional	Designer
<b>Nominal Width</b>	36"	36"
<b>Type</b>	Counter Depth	Counter Depth
<b>ENERGY STAR®</b>	Yes	Yes
<b>Capacities</b>		
Total Capacity	22.6 Cu. Ft.	22.6 Cu. Ft.
Fresh Food Volume	14.06 Cu. Ft.	14.06 Cu. Ft.
Freezer Volume	8.5 Cu. Ft.	8.5 Cu. Ft.
Total Shelf Area	23.7 Sq. Ft.	23.7 Sq. Ft.
Fresh Food Shelf Area	17.26 Sq. Ft.	17.26 Sq. Ft.
Freezer Shelf Area	6.4 Sq. Ft.	6.4 Sq. Ft.
<b>Exterior</b>		
Ice/Water Dispenser	7 Button	7 Button
Lighted Actuators	Yes	Yes
Crushed/Cubes/Water	Yes	Yes
Express Ice™	Yes	Yes
Express Freeze™	Yes	Yes
Lock	Yes	Yes
Filter Reset	Yes	Yes
<b>Fresh Food Conveniences</b>		
PureAdvantage® Air Filtration System	Yes	Yes
PureAdvantage® Water Filtration System	Yes	Yes
Temperature Alarm	Yes	Yes
Door Ajar Alarm	Yes	Yes
Power Failure Alarm	Yes	Yes
Custom-Design™ Shelves w/Silver Trim	3	3
Clear 1-Gallon Removable Door Bin	1	1
Clear 2-Liter Adjustable Door Bin	2	2
Removable Dairy Compartment with Clear Door	1	1
Clear Temp-Controlled Deli/Meat Drawer w/Silver Trim	1	1
Dual Humidity-Controlled Clear Crisper w/Silver Trim	1	1
Lower Humidity-Controlled Clear Crisper w/Silver Trim	1	1
Condiment Bottle Door Storage	1	1
In-Door Can Rack	1	1
Clear Tall Bottle Retainer	1	1
Tri-Level Lighting	Yes	Yes
Theatre Lighting	Yes	Yes
<b>Freezer Conveniences</b>		
Automatic Ice Maker with Ice Server	Factory Installed	Factory Installed
Ice Maker On/Off Switch	Yes	Yes
Glass Shelf w/Silver Trim	2	2
Smooth-Glide™ Full-Extension Freezer Basket	1	1
Full-Width/Full-Extension Basket	2	2
Full-Width Lower Basket	1	1
Fixed Door Bin	1	1
Silver Tilt-Out Wire Door Rack	3	3
Ice Cream Shelf	Yes	Yes
Dual-Level Lighting	Yes	Yes
<b>Installation</b>		
Adjustable Rollers	Yes	Yes
Door Stops	Yes	Yes
<b>Optional Accessories</b>		
Collar Kit <sup>1</sup>	PN # ECK23CDS	PN # ECK23CDS
Louvered Trim Kit <sup>1</sup>	PN # 4480	PN # 4480
PureAdvantage® Water Filter Replacement Cartridge	PN # EWF01	PN # EWF01
PureAdvantage® Air Filter Replacement Cartridge	PN # EAFCBF	PN # EAFCBF
<b>Specifications*</b>		
Product Dimensions –		
Height (including hinge/rollers)	69-5/16"	69-5/16"
Width	35-5/8"	35-5/8"
Depth (including handle) (with 90° door open)	29-1/2" 45-1/4"	29-3/8" 45-1/4"
Cutout Dimensions (HxWxD)	70-1/4" x 36" x 25"	70-1/4" x 36" x 25"
Power Supply Connection Location	Right Bottom Rear	Right Bottom Rear
Water Line Inlet Location	Left Bottom Rear	Left Bottom Rear
Voltage Rating	120V/60Hz/15 or 20A	120V/60Hz/15 or 20A
Connected Load (kW Rating) @ 120 Volts	1.02	1.02
Minimum Circuit Required (Amps)	15 or 20	15 or 20
Shipping Weight (Approx.)	325 Lbs.	325 Lbs.

\*For further specifications and installation details refer to model-specific Planning Information page.

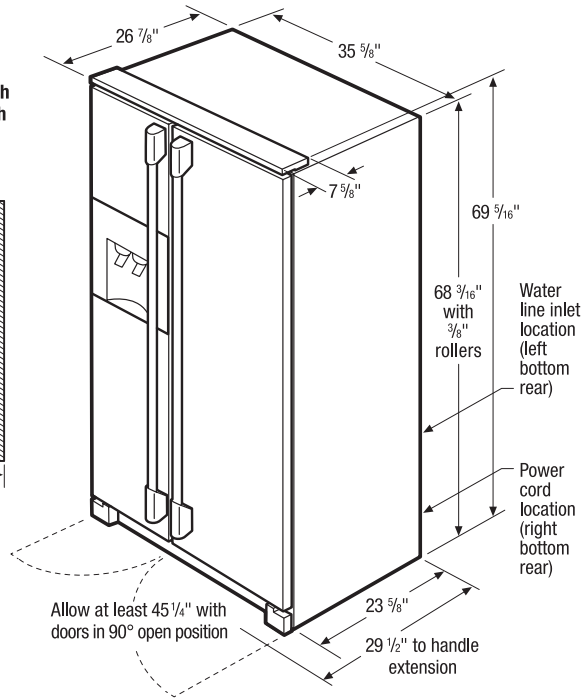
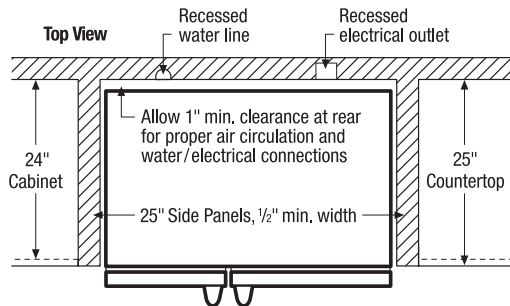
<sup>1</sup>If optional Collar Kit or Louvered Trim Kit is to be used, different cutout dimensions are required. Refer to Optional Trim Kit Specifications section on model-specific Planning Information page.

## Counter-Depth Side-by-Side Refrigerators



“Built-In Look” Cutout Dimensions

(A) 70 1/4" (B) 36" (C) 25"



## planning information

For models:  
**E23CS78HPS**  
**E23CS78HSS**

**Note:** For planning purposes only. Refer to Product Installation Guide on the web at [electroluxicon.com](http://electroluxicon.com) for detailed instructions. Specifications subject to change.

Installation drawing shown with professional series model.

## Installation Specifications

- Product Weight – 300 Lbs.
- Voltage Rating – 120V/60Hz/15 or 20 Amps
- Connected Load (kW Rating) @ 120 Volts = 1.02 kW (For use on adequately wired 120V, dedicated circuit having 2-wire service with a separate ground wire. Appliance must be grounded for safe operation.)
- Amps @ 120 Volts = 8.5 Amps
- Always consult local and national electric & plumbing codes.
- When installing next to wall allow 3-1/2" handle clearance.
- Floor should be level surface of hard material, capable of supporting fully loaded refrigerator.
- When installing refrigerator adjacent to wall, cabinet or other appliance that extends beyond front edge of unit, 20" minimum clearance recommended to allow for optimum 120° to 180° door swing, providing complete drawer/crisper access and removal. (*Absolute 4-1/2" minimum clearance will ONLY allow for 90° door swing which will provide drawer/crisper access with restricted removal.*)
- To ensure optimum performance, avoid installing in direct sunlight or close proximity to range, dishwasher or other heat source.
- For proper ventilation, front grille MUST remain unobstructed.

- Recess electrical outlet when possible.
- Water recess on rear wall recommended to prevent water line damage.
- Water Pressure – Cold water line must provide between 30 and 100 pounds per square inch (psi).
- Copper tubing with 1/4" O.D. recommended for water supply line with length equal to distance from rear of unit to household water supply line plus 7 additional feet. Optional Water Supply Installation Kits available.
- Adjustable front rollers to assist with door alignment.

### “Built-In Look” Specifications

- For built-in look, minimum cutout opening of 70-1/4" H x 36" W x 25" D required to allow for ease of installation, proper air circulation, and plumbing/electrical connections.

### Optional Trim Kit Specifications

For installation details refer to Project Planning Section.

- If optional Collar Kit (PN # ECK23CDS) is to be used, different cutout dimensions are required. (*Refer to Collar Kit ECK23CDS Installation Specifications page.*)
- If optional Louvered Trim Kit (PN # 4480) is to be used, different cutout dimensions are required. (*Refer to Louvered Trim Kit 4480 Installation Specifications page.*)
- Remove all wall/floor molding prior to installation.

## Optional Accessories

Collar Kit  
PN # ECK23CDS

Includes side and top trim pieces.

Louvered Trim Kit  
PN # 4480

Includes louvered top grille, side and top trim pieces.

PureAdvantage®  
Water Filter Replacement Cartridge  
PN # EWF01

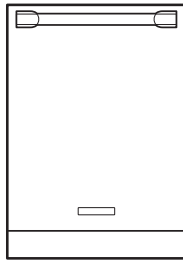
PureAdvantage®  
Air Filter Replacement Cartridge  
PN # EAFCBF



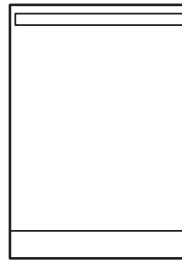


## Built-In Dishwashers

### models



EDW7505HPS  
professional series



EDW7505HSS  
designer series

### features

#### Luxury-Quiet™ Dishwasher

Continue your after-dinner conversations while your dishes are quietly and properly cleaned. The dishwasher is wrapped in dense insulation that envelopes the sides, top and toe kick, then enclosed in a steel shroud which reduces sounds to a whisper.

#### Integrated Wave-Touch™ Controls

Control panel is located at the top of the dishwasher door, so that the exterior remains uncluttered when the door is closed. Controls and digital display are intuitive and easy to operate.

#### Smart Soil Sensor™ and 100% Filtered Water

Smart Soil Sensor™ continuously monitors and purges food soils from wash water. In addition, the dishwasher's two-stage filtration system removes food particles from recirculation.

#### Spot-Free Dishwashing

To complete the Electrolux experience, Electrolux recommends filling the rinse aid reservoir with a rinsing agent for sparkling and spot-free dishware.

#### NSF® Certified Sanitize Option

NSF International Certification assures that your dishware is sanitized by reducing bacteria by 99.999% when the sanitize option is selected.

#### Custom-Fit Rack System

Designed for maximum capacity and flexibility, the tall-tub design features a versatile racking system including adjustable tines and stemware holders. There is also an adjustable/removable top rack for the utmost flexibility when washing large items.

#### Stainless Steel Interior and Exterior

Smooth exterior sheen gives your kitchen a modern, polished look and the interior will retain its original luster.

#### Panel-Ready

Can accept custom-made panels to blend seamlessly with your cabinetry and kitchen decor.



## Built-In Dishwashers

### model comparison chart

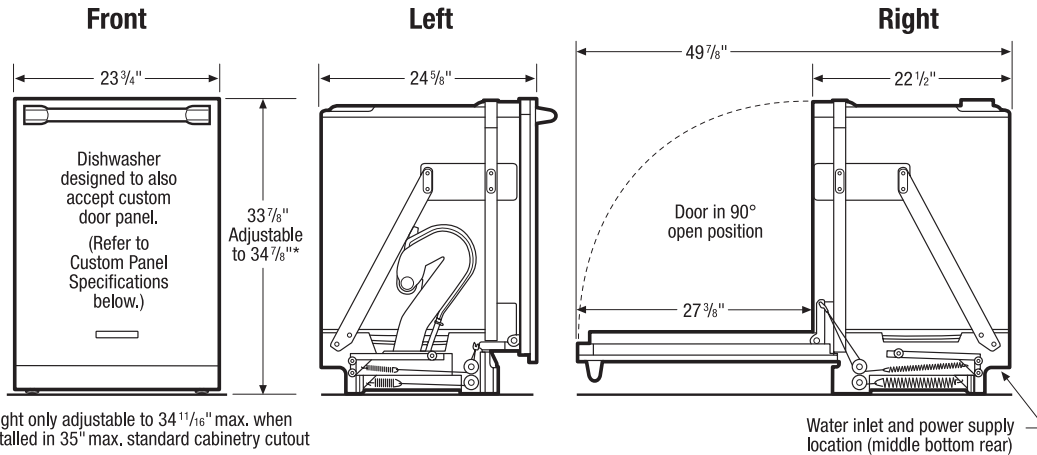
**Note:** For planning purposes only. Refer to Product Installation Guide on the web at [electroluxicon.com](http://electroluxicon.com) for detailed instructions. Specifications subject to change.

Model	EDW7505HPS	EDW7505HSS
<b>Series</b>	Professional	Designer
Nominal Width	24"	24"
Type	Built In	Built In
ENERGY STAR®	Yes	Yes
<b>Features</b>		
Stainless Steel Interior	Yes	Yes
Stay-In-Place Door Design	Yes	Yes
Electronic Controls	Yes	Yes
Fully Integrated Control Panel	Yes	Yes
Easy-Clean Pushbuttons	9	9
LED Indicator Lights	Yes	Yes
Tall Tub Design	Yes	Yes
Smart Soil Sensor™	Yes	Yes
Luxury-Quiet™	Yes	Yes
Wash Levels	5	5
Direct Feed Wash System	Yes	Yes
Power Dry System	Yes	Yes
Adjustable Rinse Aid Dispenser with Indicator	Yes	Yes
Panel Ready <sup>1</sup>	Yes	Yes
<b>Cycles</b>		
Auto Wash	Yes	Yes
Normal	Yes	Yes
Eco Wash	Yes	Yes
Perfect Stemware™	Yes	Yes
Cookware	Yes	Yes
<b>Options</b>		
Air Dry	Yes	Yes
NSF® Certified Sanitize Option	Yes	Yes
Delay Start	1-24 Hours	1-24 Hours
<b>Rack System</b>		
Nylon Rack System	Yes	Yes
Upper Rack –	Smooth-Glide™	Smooth-Glide™
Adjustable Height	Yes	Yes
Cup Clips	4	4
Cup Shelf / Stemware Holder	2	2
Fold-Down Tines	4 Rows	4 Rows
Rack Handle	Yes	Yes
Versa-Tray™	Yes	Yes
Lower Rack –	Smooth-Glide™	Smooth-Glide™
Fold-Down Tines	6 Rows	6 Rows
Knife Holder	Yes	Yes
Utility Tray / Shelf	Yes	Yes
Stemware / Champagne Glass Holders	4	4
Silverware Basket	4-Piece Split	4-Piece Split
Special Items Cover / Mesh Small Items Bag	Yes	Yes
<b>Specifications*</b>		
Product Dimensions –		
Height (adjustable)	33-7/8" – 34-7/8"	33-7/8" – 34-7/8"
Width	23-3/4"	23-3/4"
Depth (including door)	24-5/8"	24-5/8"
(with 90° door open)	49-7/8"	49-7/8"
Cutout Dimensions –		
Height (min.)	34"	34"
(max.)	35"	35"
Width	24"	24"
Depth (min.)	24"	24"
Power Supply / Water Inlet Location	Middle Bottom Rear	Middle Bottom Rear
Leveling Legs	Yes	Yes
Water Usage (gallons) – Normal Cycle	4.9 – 8.5	4.9 – 8.5
Water Pressure (PSI)	15 – 120	15 – 120
Voltage Rating	120V / 60 Hz / 15A	120V / 60 Hz / 15A
Connected Load (kW Rating) @ 120 Volts	1.44	1.44
Amps @ 120 Volts	9	9
Shipping Weight (Approx.)	115 Lbs.	115 Lbs.

\*For further specifications and installation details refer to model-specific Planning Information page.

<sup>1</sup>Dishwasher designed to also accept custom door panel to match with custom cabinetry. (Refer to Custom Panel Specifications on model-specific Planning Information page.)

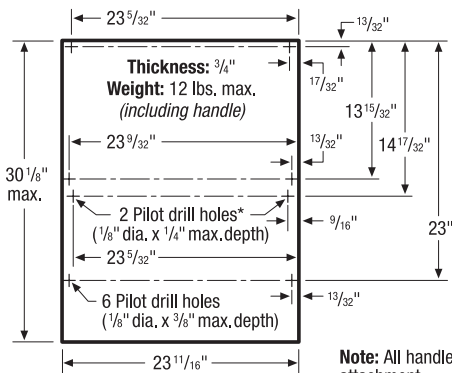
## Built-In Dishwashers



\*Height only adjustable to 34 1/16" max. when installed in 35" max. standard cabinetry cutout

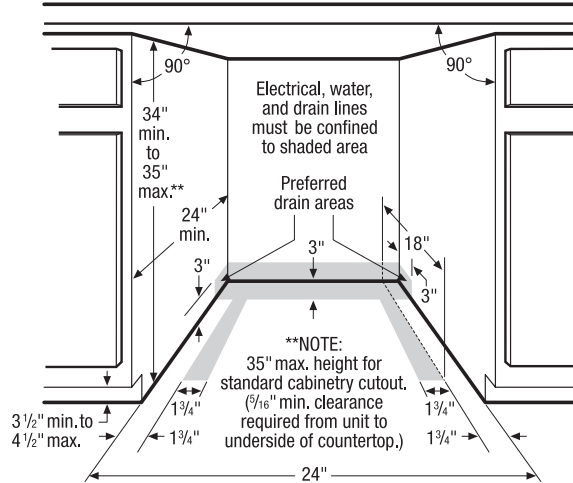
Water inlet and power supply location (middle bottom rear)

**Custom Panel Specifications** Refer to web for detailed door panel construction and installation instructions.



\*Optional holes for adding 1/2" - #7 screws which slip into rectangular openings of metal panel to help locate custom door panel for other outside screw attachment

**Note:** All handle attachment screws must be flush/recessed below panel surface.



## planning information

**For models:**  
**EDW7505HPS**  
**EDW7505HSS**

**Note:** For planning purposes only. Refer to Product Installation Guide on the web at [electroluxicon.com](http://electroluxicon.com) for detailed instructions. Specifications subject to change.

Installation drawing shown with professional series model.

## Installation Specifications

- Product Weight – 93 Lbs.
- Voltage Rating @ 120V / 60Hz / 15 Amps
- Connected Load (kW Rating) @ 120 Volts = 1.44 kW (For use on adequately wired 120V, dedicated circuit having 2-wire service with a separate ground wire. Appliance must be grounded for safe operation.)
- Amps @ 120V = 9 Amps
- Always consult local and national electric & plumbing codes.
- Water Pressure – Hot water line to dishwasher must provide between 15 and 120 pounds per square inch (psi).
- Make sure location has right drain, water and electrical outlets to make connections.
- Keep back free of drain, water & electrical supply.
- Electrical and water supplies should enter cabinet opening on floor, or through back or side walls, as shown in shaded areas.
- Connections preferably located toward left side of dishwasher. Do not cross drain, water or electrical lines in front of motor, blower or frame.
- Minimum clearance of 5/16" required from unit to underside of countertop.

- Leveling legs supplied to adjust height. (Note: Height only adjustable to 34-11/16" max. when installed in 35" max. standard cabinetry cutout to allow for 5/16" min. clearance.)
- When installing adjacent to wall, cabinet or other obstruction that extends beyond front edge of unit, allow 2" minimum clearance between opened door and obstruction.
- When installing at end of cabinet line, sides must be fully enclosed.
- Do not install unit under a cooktop, damage may occur.
- Dishwasher designed to also accept custom door panel to match with custom cabinetry. (Refer to Custom Panel Specifications on this page.)

## Custom Panel Specifications

- Panel Dimensions – 30-1/8" H max. x 23-11/16" W x 3/4" D
- Panel Weight – 12 Lbs. maximum (including handle)
- For detailed custom panel construction and installation instructions, refer to product installation guide on the web at [electroluxicon.com](http://electroluxicon.com).

