

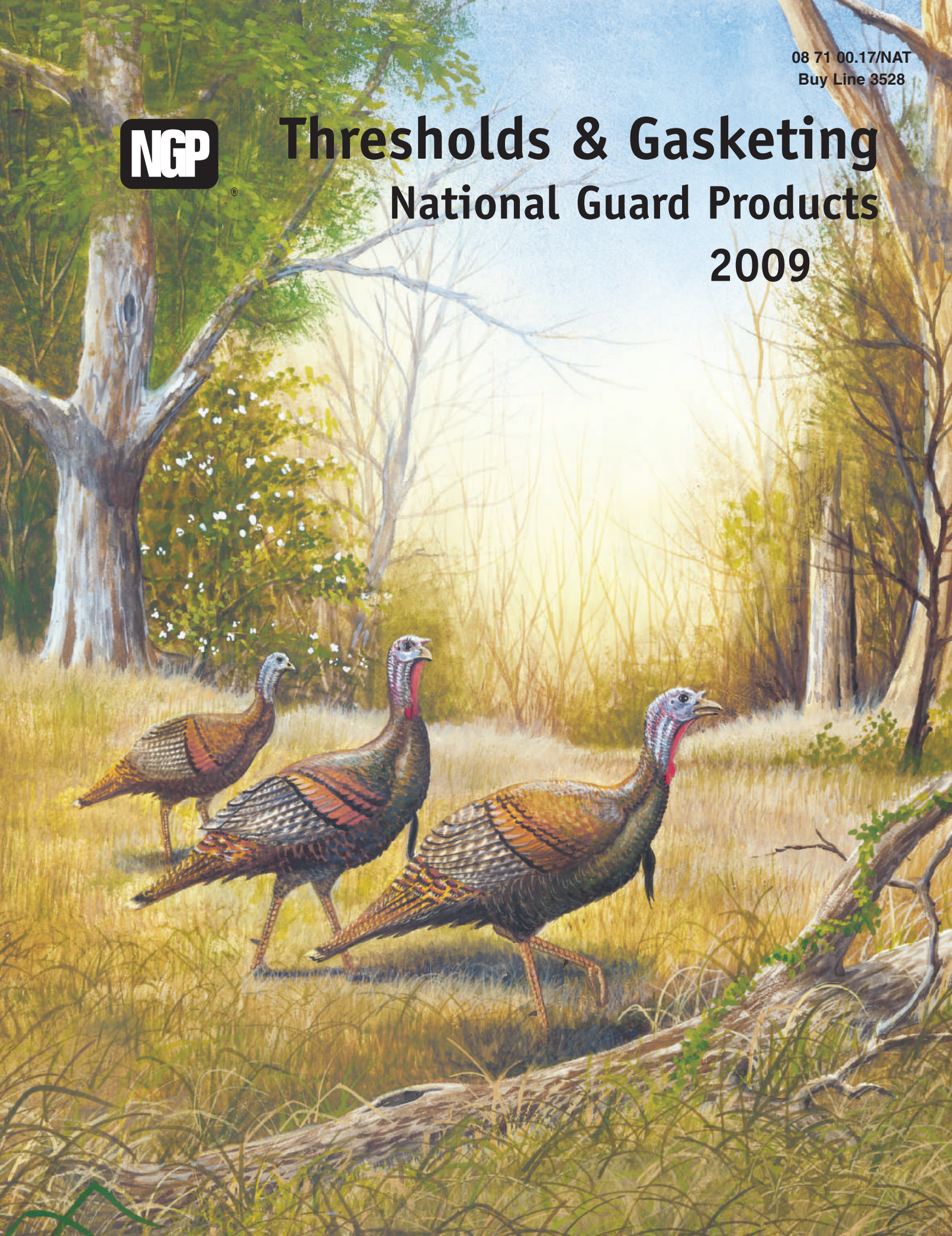
08 71 00.17/NAT
Buy Line 3528



Thresholds & Gasketing

National Guard Products

2009



Symbols/Legend



ADA COMPLIANT Barrier Free Thresholds meet the requirements of the AMERICANS WITH DISABILITIES ACT Accessibility Guidelines for Buildings and Facilities (ADAAG)-September 2002, and ICC/ANSI A117.1-2003 Accessible and Usable Building and Facilities.



UL10B and CAN4-S104-80M CLASSIFIED, complies with NFPA 80 and NFPA 252 for application to Steel fire doors rated up to 3 Hrs., and Wood type fire doors rated up to 1 1/2 hrs. (Rating on some items vary and are noted.)



POSITIVE PRESSURE UL10C CLASSIFIED, Category 'J' listed. Complies with **IBC, UBC7-2 (1997)**, NFPA 80 and NFPA 252 for application to Positive Pressure Steel fire doors rated up to 3 Hrs., and Wood type Fire doors rated up to 1-1/2 Hrs. (Ratings on some items vary and are noted.)



NGP-EDGE® SEALING SYSTEM, Category 'G' listed. REQUIRED for Category B listed wood type fire doors to meet positive pressure requirements complying with **IBC, UBC7-2 (1997) Part 1** and NFPA 252. See individual products for maximum door size and ratings.



SMOKE & DRAFT CONTROL GASKETING, Category 'H' listed, Complies with **IBC, UBC7-2 (1997) Part 2**, UL1784, NFPA 105 for use on all '**S**' labeled Positive Pressure door assemblies.



ACOUSTICAL TESTED to ASTM E90 and ASTM E413, by Riverbank Acoustical Laboratories in Geneva, IL.



AIR INFILTRATION TESTED to ASTM E283. Standard Test Method for Determining Rate of Air Leakage Through Exterior Windows, Curtain Walls and Doors.



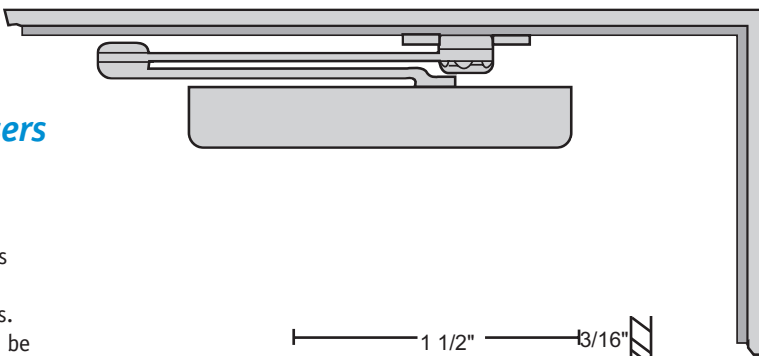
SLIP-RESISTANT NGP 'SIA' (Slick-it-Ain't) textured surface is available on all thresholds. Our process embeds and fuses bits of hot nickel and titanium into the surface of the threshold. This technology originally developed for use on aircraft carrier decks is very skid resistant and will not wear off.



ANSI/BHMA CERTIFIED. Certified thresholds comply with A156.21-2006, certified gasketing complies with A156.22-2005, and are listed in the BHMA Certified Products Directory.



Online product listings: www.ul.com/database

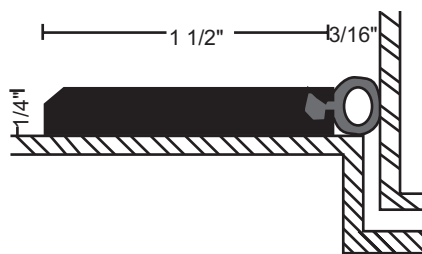


Gasketing for use with Door Closers

Solid aluminum 700 Series:

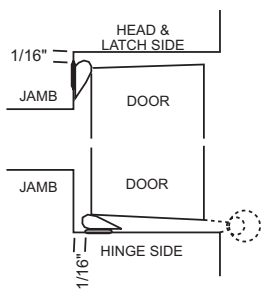
- * No break in seal
- * Head not drilled
- * Side sections are furnished with slotted holes for adjustment
- * Comes with self drilling #8 (Tek type) screws.
- * Bracket or closer and/or hold open device to be attached to frame through weatherstrip section.

- 700NA neoprene
- 700NB
- 700NDKB
- 700SA silicone
- 700SB
- 700SDKB



© NGP, Inc. 2009

Edge Sealing Systems and Smoke and Draft Control Gasketing (Adhesive Mount) Category 'G' and 'H' Listed




Silicone

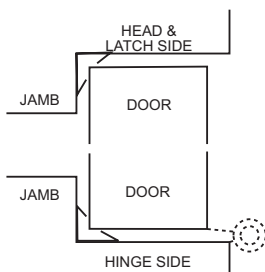
5050B Brown
5050C Charcoal
5050W White
5050T Tan
5050CL Clear
17', 20', 21', 25', 300'

Silicone

2525B Brown
2525C Charcoal
2525W White
2525T Tan
17', 20', 21', 25', 300'



NGP-Edge® sealing system on 20 minute rated wood type doors with steel frames up to 4'0" x 8'0" single, 8'0" x 8'0" std. pair with 9550 at meeting edge.





TPE

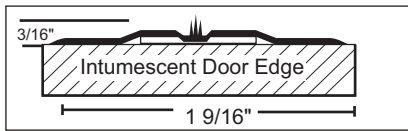
5020B Brown
5020C Charcoal
5020W White
36", 48", 84", 96", 108"

TPE with Intumescent


9450B Brown
9450C Charcoal
9450W White
36", 48", 84", 96", 108"

NGP-Edge® sealing system on 20, 45, 60, 90 minute rated wood type doors up to 4'0" x 9'0" single, 8'0" x 9'0" pairs with 9550 at meeting edge.




9550 (Gray)
9550DKB (Brown)
36", 48", 84", 96", 108"



NGP-Edge® sealing system on 20, 45, 60, 90 minute rated wood type doors up to 4'0" x 9'0" single, 8'0" x 9'0" pairs when used at perimeter and meeting edge.




9850B Brown
9850C Charcoal
9850W White
36", 48", 84", 96", 108"



NGP-Edge® sealing system on 20, 45, 60, 90 minute rated wood type doors up to 4'0" x 9'0" single, 8'0" x 9'0" std. or double-egress pairs when used at perimeter and 9550 at meeting edge.

Smoke and Draft Control Gasketing - Category 'H' Listed

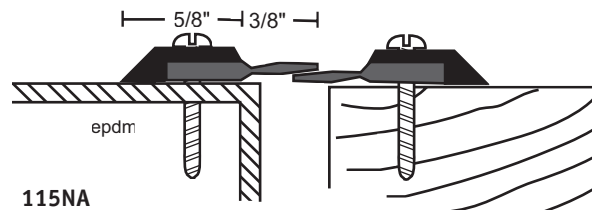


Silicone

5040B Brown
5040W White
17', 20', 25', 300'

silicone

5060B Brown
5060CL Clear
7', 8', 9', 17', and 21' rolls.



115NA
115NB
115NDKB
17', 20', 25', 300'

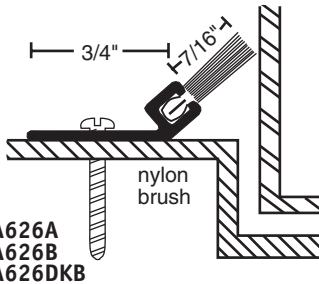
nylon +

9600A
9600B
9600DKB
7', 8', 9', 17', and 21' rolls.

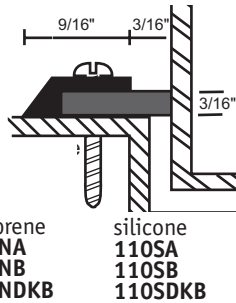
Perimeter Seals

*All perimeter seals this page except vinyl.

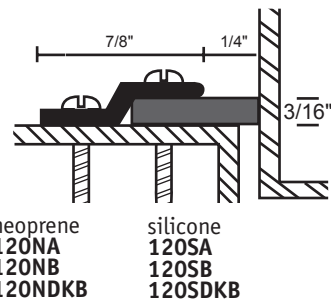
Aluminum Housing:
 A = Clear
 B = Gold
 DKB = Dark bronze



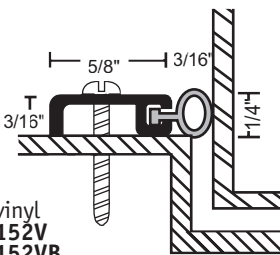
A626A
A626B
A626DKB



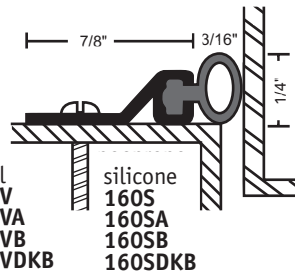
neoprene 110NA, 110NB, 110NDKB
 silicone 110SA, 110SB, 110SDKB



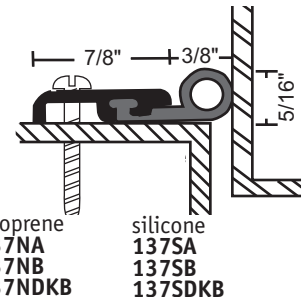
neoprene 120NA, 120NB, 120NDKB
 silicone 120SA, 120SB, 120SDKB



silicone 152S, 152SB, 152SDKB
 vinyl 152V, 152VB, 152VDKB

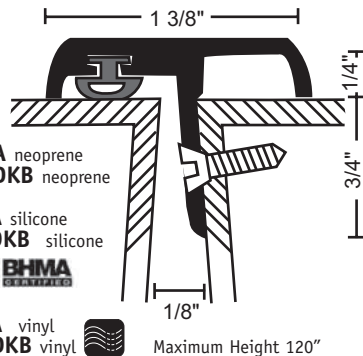


vinyl 160V, 160VB, 160VDB
 silicone 160S, 160SB, 160SDB



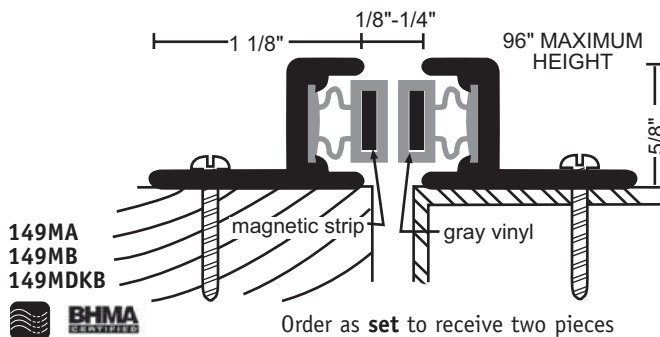
neoprene 137NA, 137NB, 137NDKB
 silicone 137SA, 137SB, 137SDB

Astragals



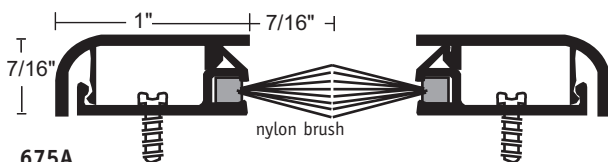
158NA neoprene, 158NB neoprene, 158SA silicone, 158SB silicone, 158VA vinyl, 158VB vinyl

Maximum Height 120"



149MA, 149MB, 149MDKB

Order as set to receive two pieces

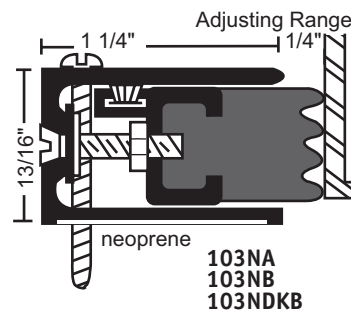


675A, 675B, 675DKB

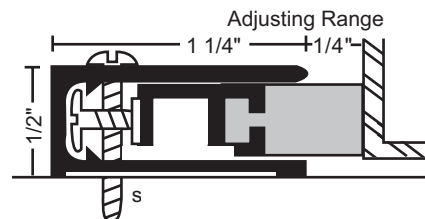
Order as set to receive two pieces



Adjustable Perimeter Seals



neoprene 103NA, 103NB, 103NDKB



neoprene 107NA, 107NB, 107NDKB
 silicone 107SA, 107SB, 107SDB



Use with a threshold for maximum sealing capability.
Nylon brush recommended for carpet applications where no threshold is provided.

Hollow Metal Doors

neoprene
220NA
220NB
220NDBK

silicone
220SA
220SB
220SDBK

nylon brush
220WHA
220WHB
220WHDKB

19 32/32"

15 16/16"

Mortise required
15 5/8" x 7/8"

1 17/32"

1 1/2" Max. Drop

3/4" Max. Drop

1 1/2" Max. Drop

1 1/2" Max. Drop

3/4" Max. Drop

320N neoprene

320S silicone

320V vinyl

423N neoprene

HEAVY DUTY

420NA neoprene

420NB neoprene

420NDBK neoprene

Available from 12" to 48" in length

Tested to 1,000,000 cycles

Fits 1 5/8" x 3/4" channel. May be field cut (up to 4") in length. A "furring strip" may be used to lower this automatic door bottom when a deeper channel is used.

Door Bottoms available from 24" - 48" in length. Fire ratings apply to metal doors only.

All products this page:

Door Sweeps

neoprene

199NA

199NB

199NDBK

vinyl

1025VA

1025VB

1025VDBK

nylon brush

C627A

C627B

C627DKB

1 7/16"

9/16"

1 1/4"

1"

3/4"

1 1/4"

1 1/4"

1 1/2"

1/2"

200NA neoprene

200NB neoprene

200NDBK neoprene

200SA silicone

200SB silicone

200SDBK silicone

101VA vinyl

101VB vinyl

101VDBK vinyl

Tested to 1,000,000 cycles

Door Shoes

3/4"

1/2"

1 1/4"

1"

3/4"

3/4"

1 1/2"

1/4"

1/2"

36VA vinyl

36VDBK vinyl

35VA neoprene

35VDBK neoprene

319V silicone

319VA silicone

319VB silicone

319VDBK silicone

Tested to 1,000,000 cycles

Saddle Thresholds



Threshold

413, 413DKB, 413BR
 513, 513DKB, 513BR
 613, 613DKB, 613BR
 713, 713DKB, 713BR
 813, 813DKB, 813BR
 913, 913DKB
 1013, 1013DKB

Width

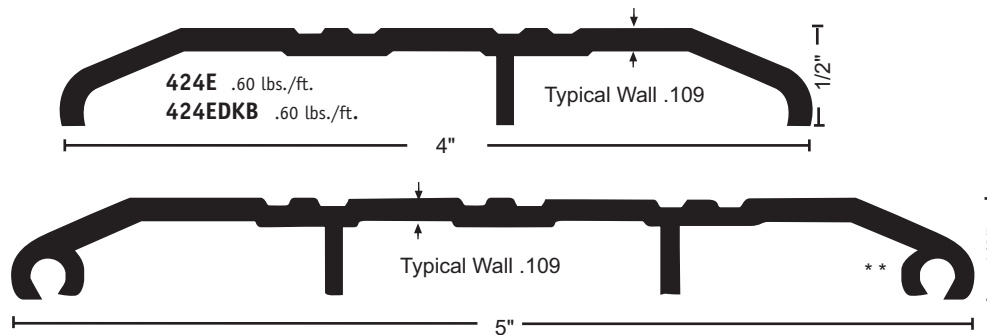
4"
 5"
 6"
 7"
 8"
 9"
 10"

- mill finish aluminum standard
- DKB - aluminum dark bronze finish
- BR - Architectural Bronze alloy CDA 385



Slip-Resistance SIA Finish
 Available for better traction and slip-resistance. Specify SIA finish.

Note: Flute pattern varies with width of threshold



Threshold

425E, 425EDKB
 426E, 426EDKB
 427E, 427EDKB
 428E, 428EDKB
 429E, 429EDKB
 430E, 430EDKB

Width

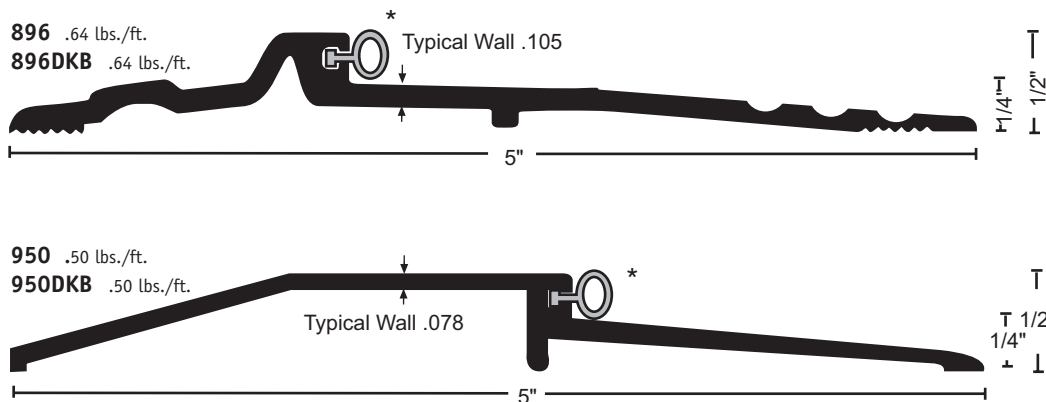
5"
 6"
 7"
 8"
 9"
 10"

Note: Flute pattern varies with width of threshold



VINYL FOOT SEAL
 used instead of caulking to increase the weather resistance of the threshold.
 Specify on order

ADA Compliant Bumper Seal Thresholds



896 .64 lbs./ft.
 896DKB .64 lbs./ft.

* Typical Wall .105



Bumper Seal

Seals against the door providing weather resistance

Vinyl ("V") supplied unless other material is specified

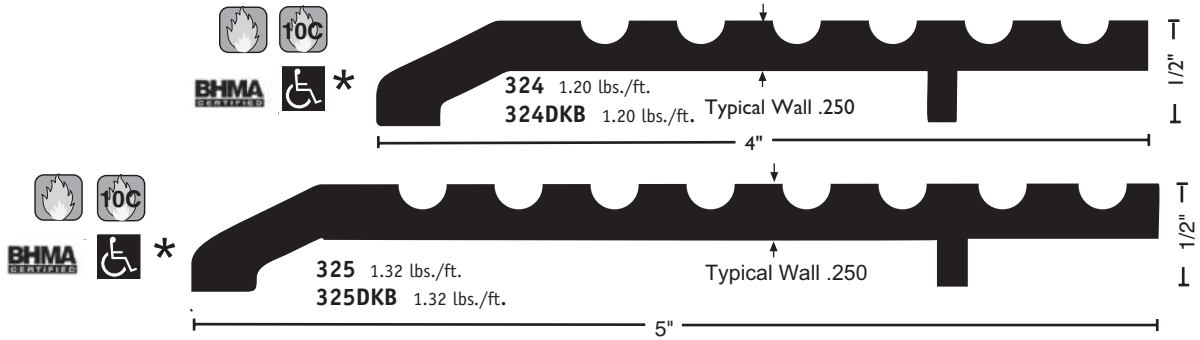
Options:
 Neoprene ("N")
 Silicone ("S")



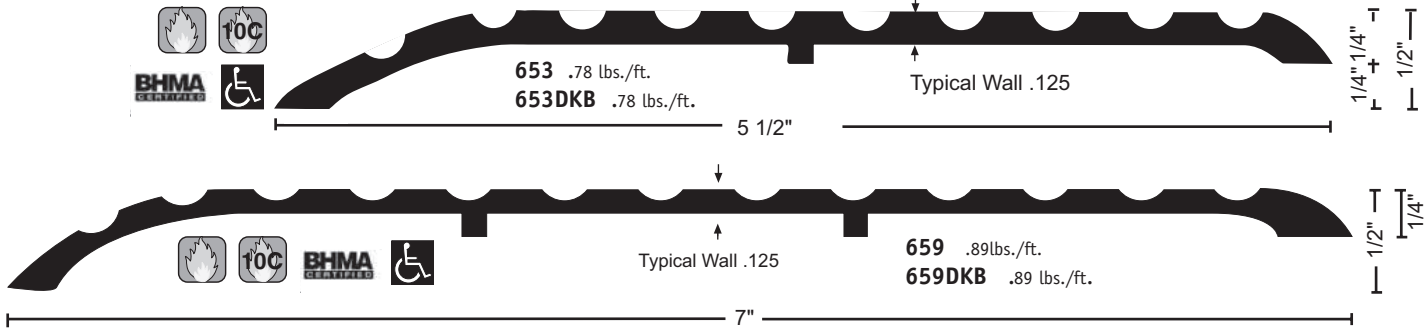
All thresholds this page.

Half Saddle Thresholds

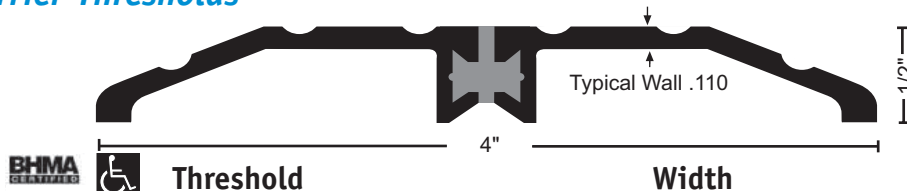
* when installed where the non-beveled edge is FLUSH with flooring or where no greater than 1/4" vertical rise occurs.



Offset Saddle Thresholds



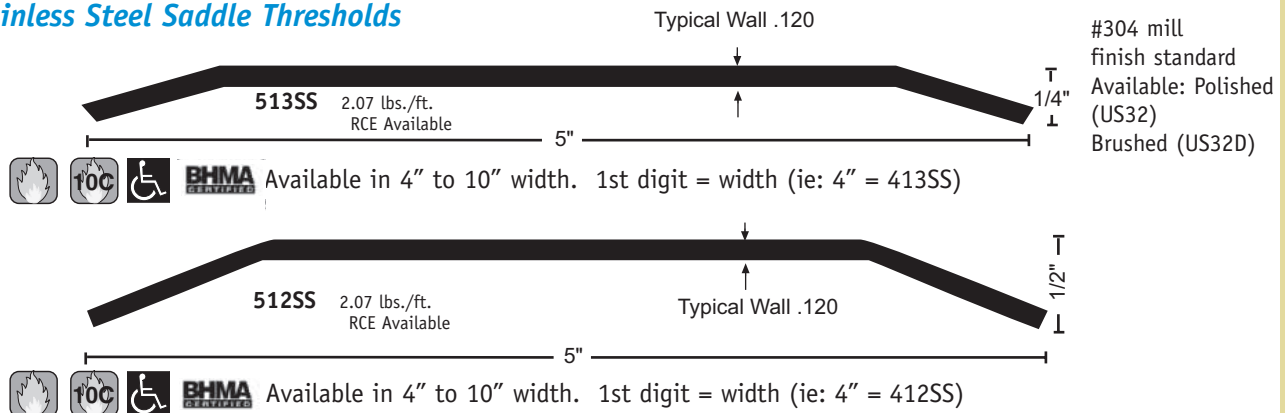
Thermal Barrier Thresholds



Threshold	Width
8424, 8424DKB, 8424BR	4"
8425, 8425DKB, 8425BR	5"
8426, 8426DKB, 8426BR	6"
8427, 8427DKB, 8427BR	7"
8428, 8428DKB, 8428BR	8"
8429, 8429DKB, 8429BR	9"
8430, 8430DKB, 8430BR	10"

Note: Flute pattern varies with width of threshold

Stainless Steel Saddle Thresholds



#304 mill finish standard
Available: Polished (US32)
Brushed (US32D)

Ramps

Slope = 1:12

All items this page

- mill finish aluminum standard
- DKB - aluminum dark bronze finish



Slip-Resistant SIA Finish
All ramps are available with our slip-resistant surface for better traction. Specify "SIA" finish.



Ramp

R50, R50DKB
R75, R75DKB
R100, R100DKB
R125, R125DKB
R150, R150DKB
R175, R175DKB
R200, R200DKB
R225, R225DKB
R250, R250DKB

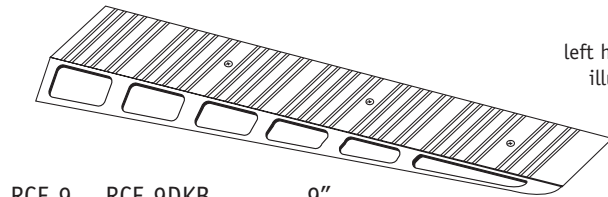
Height

1/2"
3/4"
1"
1 1/4"
1 1/2"
1 3/4"
2"
2 1/4"
2 1/2"

Width

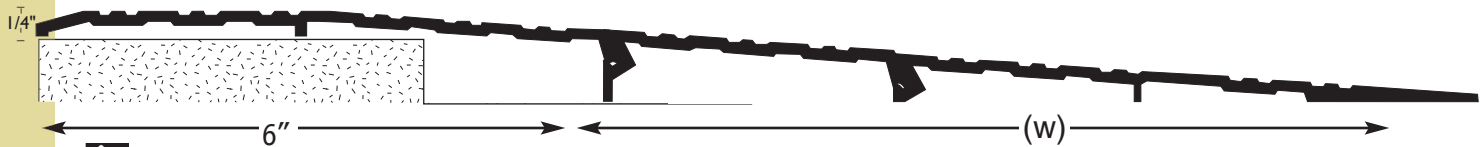
6"
9"
12"
15"
18"
21"
24"
27"
30"

Return Closed Ends for Ramps



left hand return illustrated

RCE-9, RCE-9DKB	9"
RCE-15, RCE-15DKB	15"
RCE-21, RCE-21DKB	21"
RCE-30, RCE-30-DKB	30"



Ramp

R050, R050DKB
R075, R075DKB
R0100, R0100DKB
R0125, R0125DKB
R0150, R0150DKB
R0175, R0175DKB
R0200, R0200DKB
R0225, R0225DKB
R0250, R0250DKB

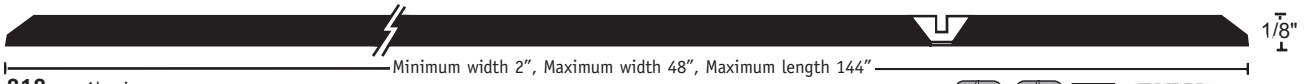
Height

1/2"
3/4"
1"
1 1/4"
1 1/2"
1 3/4"
2"
2 1/4"
2 1/2"

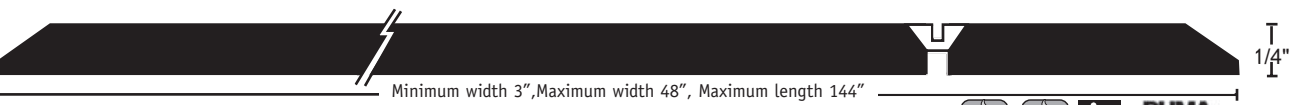
Width (w) of ramp from offset

6"
9"
12"
15"
18"
21"
24"
27"
30"

Cover Plates



818 Aluminum
818BR Brass - Max width 36", length 96"
818SS Stainless steel standard with square edges, beveling available



814 Aluminum
814SS Stainless steel standard with square edges, beveling available, min. width 4", max width 36", length 96"



838 Aluminum

