

The Genuine. The Original.



# The Banner Collection™ RESIDENTIAL SECTIONAL GARAGE DOOR INSTALLATION INSTRUCTIONS

READ and SAVE this booklet for future reference.

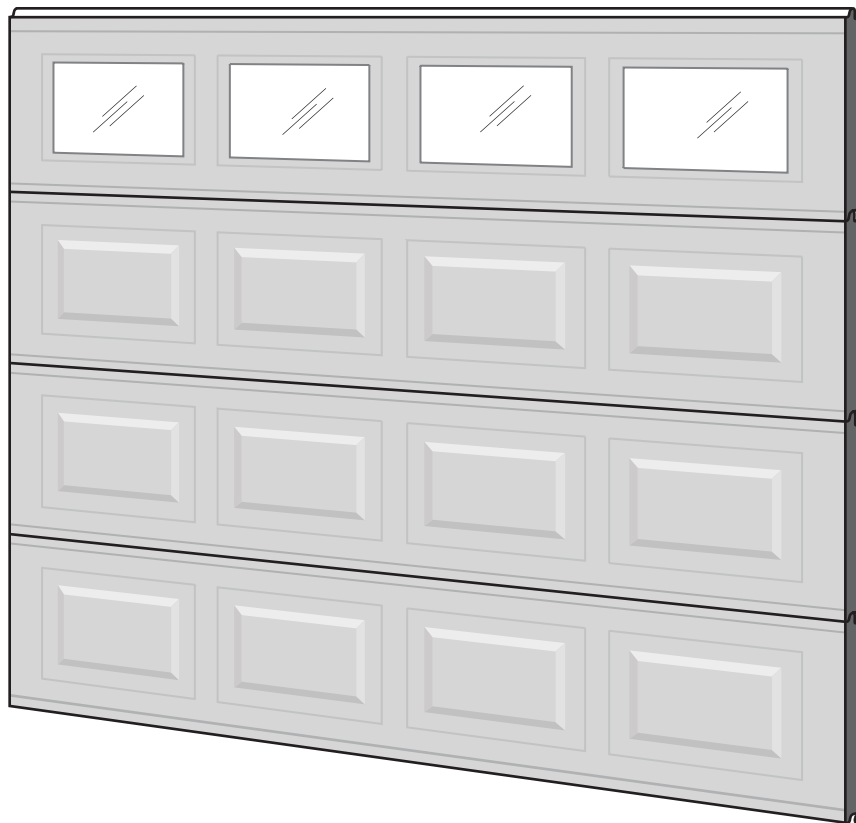
Model: \_\_\_\_\_

Door Size: \_\_\_\_\_

Installer Name/Business: \_\_\_\_\_

Number: \_\_\_\_\_

For Answers and Assistance contact the company from whom you purchased this unit.



## MISSING ANY PARTS?

**PLEASE CONTACT THE COMPANY FROM WHOM YOU PURCHASED THIS UNIT!**

### IMPORTANT! - Information needed when calling

- Model number and door size - (located on packaging)
- Spring Type: Extension or Torsion
- Location, city, and state of purchase
- If a special order: Contract number or serial number.  
(Located on your purchase order)

# SAFETY INFORMATION

## OVERVIEW OF POTENTIAL HAZARDS

### READ THIS SAFETY INFORMATION

#### CONVENTIONS USED IN THESE INSTRUCTIONS

Overhead doors are large, heavy objects that move with the help of springs under high tension and electric motors. Since moving objects, springs under tension, and electric motors can cause injuries, your safety and the safety of others depend on you reading the information in this manual. If you have questions or do not understand the information presented, call your nearest trained door system technician.

The following safety alert symbol and signal words are used throughout this manual to call attention to and identify different levels of hazard and special instructions.



This is the safety alert symbol. This symbol alerts you to potential hazards that can kill or hurt you and others. All safety messages will follow the safety alert symbol and the word "**DANGER**", "**WARNING**", or "**CAUTION**"

**DANGER** indicates an imminently hazardous situation which, if NOT avoided, will result in death or serious injury.

**WARNING** indicates a potentially hazardous situation which, if NOT avoided, could result in death or serious injury.

**CAUTION** indicates a potentially hazardous situation which, if NOT avoided, may result in injury or property damage.

The word **NOTE** is used to indicate important steps to be followed or important considerations.

## IMPORTANT SAFETY INSTRUCTIONS

### READ AND FOLLOW ALL INSTRUCTIONS

### SAVE THESE INSTRUCTIONS

Potential Hazard	Effect	Prevention
	<b>WARNING</b> Could result in Death or Serious Injury	Keep people clear of opening while Door is moving.  Do <b>NOT</b> allow children to play with the Door Operator.  Do <b>NOT</b> operate a Door that jams or one that has a broken spring.
	<b>WARNING</b> Could result in Death or Serious Injury	Turn <b>OFF</b> power before removing operator cover.  When replacing cover, make sure wires are NOT pinched or near moving parts.  Operator must be fully grounded.
	<b>WARNING</b> Could result in Death or Serious Injury	Do <b>NOT</b> try to remove, install, repair or adjust springs or anything to which door spring parts are fastened, such as, wood blocks, steel brackets, cables or other like items.  Installations, repairs and adjustments must be done by a trained door system technician using proper tools and instructions.

## READ THIS SAFETY INFORMATION

- Read this installation instruction booklet completely before starting installation of the door. If you have questions or do not understand the information presented in these instructions, call your nearest trained door system technician.
- While not required for extension spring systems, consider having a trained door system technician install this door for the optimum installation and performance.
- You can install your new garage door yourself IF...
  - a) you have help (it may weigh up to 500 lbs.),
  - b) you have the right tools and reasonable mechanical aptitude or experience, and
  - c) you follow these instructions very carefully.
- Garage doors use springs to balance them. There are two types of springs installed — extension or torsion. Each of these is available in either a standard or low ceiling assembly option. Please look at the drawings on page 5 to see which spring type your old door has.


**⚠ WARNING: If your old door or new door uses torsion springs, do NOT attempt to remove, install, repair or adjust the springs yourself. Have a trained door system technician remove, install, repair or adjust them. Attempting to remove, install, repair or adjust a torsion spring assembly without proper training or tools may result in an uncontrolled release of spring forces which can cause serious injury.**

- In removing a garage door that has Extension springs, follow the instructions carefully, including the use of C-clamps or locking pliers on both sides of the door in order to keep the door from moving once the springs are removed.
- Low Headroom doors require special instructions. Options for doors with low headroom can be found on page 7. Purchase of additional hardware may be required. Check headroom requirements in the chart on page 6 before beginning.
- Be sure all hardware components for your new door are included before removing existing door (see pages 10-11). If your door is missing any parts, call the company from whom you purchased your unit.
- Allow enough time to do the work; removing an existing door will take approximately 1-3 hours.
- A typical installation takes between 9 and 12 hours to complete.
- Keep in mind when planning the installation that the garage will be open and unsecured when disassembling the old and assembling the new door.
- If the garage door is the only opening in the structure make sure everything you need is inside. You will have no way of leaving the garage until the track is assembled and installed. This will take approximately 5 hours.
- Never reuse old track or hardware. Only the track specified and supplied with the door should be used.
- To avoid damage to the door, you must reinforce the top section of the door in order to provide a strengthened mounting point for attachment of an automatic opener (see page 16).
- Original replacement parts are recommended if repairs are ever required to your door.

## ⚠ WARNING:

- Be sure that your garage complies with all applicable state and or local ventilation requirements before you enclose any vehicles in the garage. Good ventilation avoids fire and health hazards caused by fumes accumulating within a well-sealed garage.
- Do NOT permit children to play beneath or with any garage door or electric operating controls.
- Keep hands and fingers clear of section joints, track, and other door parts when the door is opening and closing to avoid injury. The lift handles are located for safe operation as well as easy use.
- Bolts must be installed at the rear end of horizontal tracks. These act to stop the rollers and keep the door from rolling off the back of the track.
- Track installations must use sway braces on the rear track hangers to prevent sideways movement. If the tracks are NOT firmly stabilized they might spread, allowing the door to fall and cause severe injury and damage.
- Springs, cables, and bottom fixtures are under strong spring tension. Do NOT attempt to remove, repair or adjust any fasteners on these components or anything to which these parts are attached, such as wood blocks, steel brackets, or other like items. You could suddenly release spring forces and risk severe injury.
- If the garage door and/or any of the supporting tracks are damaged, operating the door could be hazardous. Take the door out of service and call a trained door system technician to promptly service or repair the door.
- KEEP DOORS PROPERLY BALANCED. An improperly balanced door increases the risk of severe injury or death. Have a trained door system technician make repairs to cables, spring assemblies and other hardware as necessary.
- Doors equipped with automatic door operators can cause serious injury or death if NOT properly adjusted and operated. To ensure safety of these doors:
  - a) Never let children operate or play with the door controls. Keep the remote control away from children,
  - b) Always keep the moving door in sight and away from people and objects until the door is completely closed. NO ONE SHOULD CROSS THE PATH OF THE MOVING DOOR,
  - c) NEVER GO UNDER A STOPPED, PARTIALLY OPEN DOOR,
  - d) Test operator monthly. The door MUST reverse on contact with a 1-1/2" high object (or a 2" x 4" board laid flat) at the center of the doorway on the floor. If the door does NOT reverse, re-test the door operator after adjusting either the force or the limit of travel in accordance with the manufacturer's instructions. Failure to adjust the operator properly may result in severe injury or death,
  - e) When possible, use the emergency release only when the door is closed. Use caution when using this release with the door open. Weak or broken springs are capable of increasing the rate and force of door closure and increasing the risk of severe injury or death, and
  - f) If your door has a pull down rope or locking mechanism, you must remove the rope and either disable or remove any door locks.

## REQUIRED TOOLS

- C-clamps or Locking Pliers
- Hammer
- Screwdriver
- Tape measure
- Level and T-Square
- Pliers
- Step Ladder
- Socket wrench kit
- Drill, 1/4", 3/16", & 3/8" drill bits, and 7/16" socket bit
- Saw horses (with carpet or other soft material on top surface; 2 needed for doors up to and including 9'-0" wide, 3 needed for doors over 9'-0" wide) or other supports for placing section on while assembling
- Hacksaw
- Wood Saw
- Additional tools may be required
- (Optional) Hinge Tool\* 

## ADDITIONAL MATERIAL REQUIRED

- Light household oil/lubricant like Overhead Door Universal Garage Door Spray Lubricant
- Additional tools may be required for minimum clearance installations
- Opener Bracket Kit to match your *Overhead Door* automatic door opener
- Stop Molding
- Wood Block
- Rope

\*Contact your Overhead Door dealer for information about this tool.

## TABLE OF CONTENTS

Safety Information .....	2-3
Table of Contents .....	4
<i>Required Tools</i> .....	4
<i>How to Use These Instructions</i> .....	4
Garage Door Overview / Key Drawings.....	5
Definitions of Terms Used .....	6
Pre-installation Checks .....	6-7
Existing Door Operator .....	7
Existing Garage Door .....	7
<i>STEP 1 - Remove Extension Door Springs</i> .....	8
<i>STEP 2 - Remove Door Sections and Track</i> .....	9
<i>STEP 3 - Preparing Door Opening</i> .....	9
Pre-installation Tasks .....	10
Hardware Components and Parts List.....	10-11
Hardware Schedule .....	12
Installation .....	13
<i>Prepare Door Sections</i> .....	13-14
<i>Install Door Sections</i> .....	15
<i>Reinforcing the Top Section for Opener</i> .....	16
<i>Assemble and Install Track</i> .....	17-18
<i>Assemble and Install Extension Spring</i> .....	19-20
<i>Accessories</i> .....	21
<i>Final Adjustments</i> .....	21
<i>Completion Check List</i> .....	22
Optional; Can I Paint My Door?.....	22
Maintenance .....	34
Replacement Parts List.....	23
Repairing Door Sections.....	24-25
Limited Warranty.....	26

## HOW TO USE THESE INSTRUCTIONS

These instructions have been designed to aid installation of a Residential Sectional Garage Door. You should have the tools necessary for this installation and be skilled in their use. It is very important that you read and understand these instructions and **WARNINGS** before attempting to install your door. If you do not understand an instruction or have a question, call your nearest Overhead Door dealer.

1. Use "KEY DRAWINGS" on page 5 and 6 to locate and identify specific terminology.
2. These instructions show the step-by-step procedures required to install the following:

### DOORS

Non Insulated - 311, 317  
Insulated - 312, 313, 318, 319, 333, 339, 351, and 359

### TRACK

Standard 2" residential

### COUNTERBALANCE SPRINGS

Extension  
Torsion

Use only those instructions applicable to your particular installation.

3. Each "STEP" will include:
  - A. A brief statement of the procedure to be performed.
  - B. Illustrations showing procedure in specific detail.
  - C. Hardware and fasteners required.

### DOOR JAMB REQUIREMENTS

1. Jamb should be plumb and flush.
2. Floor should be flat and level.
3. Opening should be the same width as the length of the door section.
4. Standard headroom - 12 inches  
Minimum headroom - 10-1/2 inches  
(Additional headroom required for door operator)
5. Minimum sideroom - 1-1/2 inches

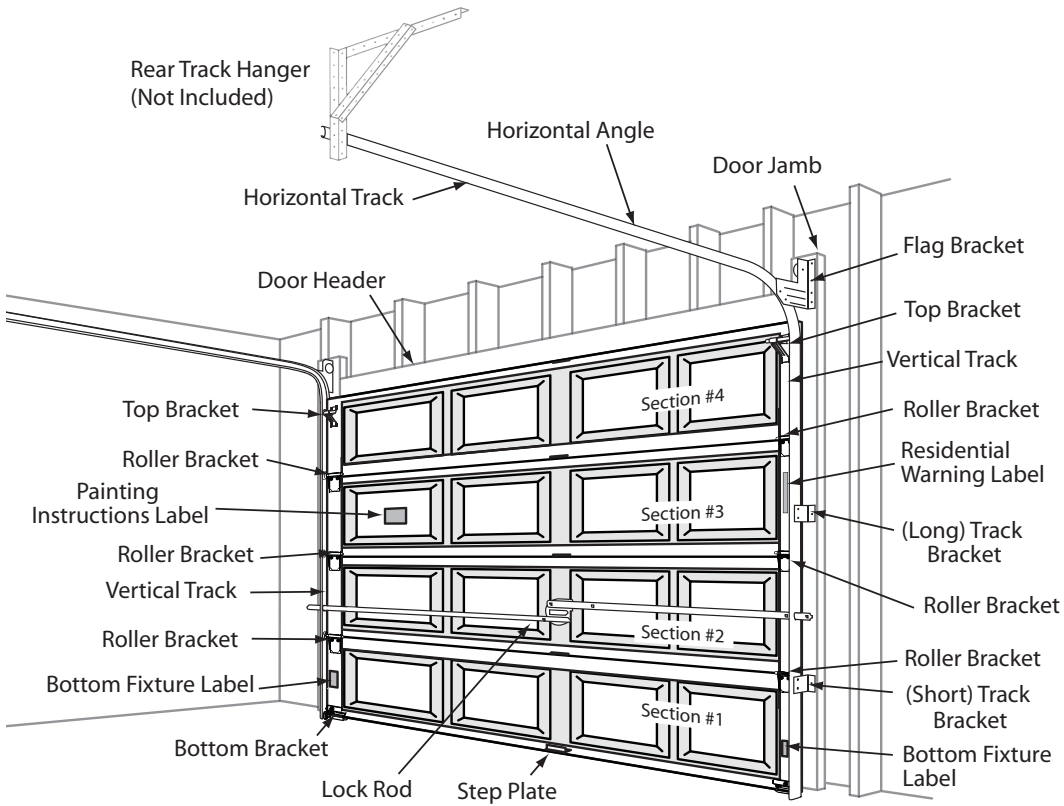
### MASONRY WALLS

HEADER - should be cased with a wood 2 x 4 or 2 x 6.

JAMB - should be cased with wood 2 x 4's or 2 x 6's which extend 12 inches above header.

**NOTE:** Casings should be flush with opening and secured with masonry anchors.

# GARAGE DOOR OVERVIEW / KEY DRAWINGS



**Key Drawing  
Door and track**

**Top Section**



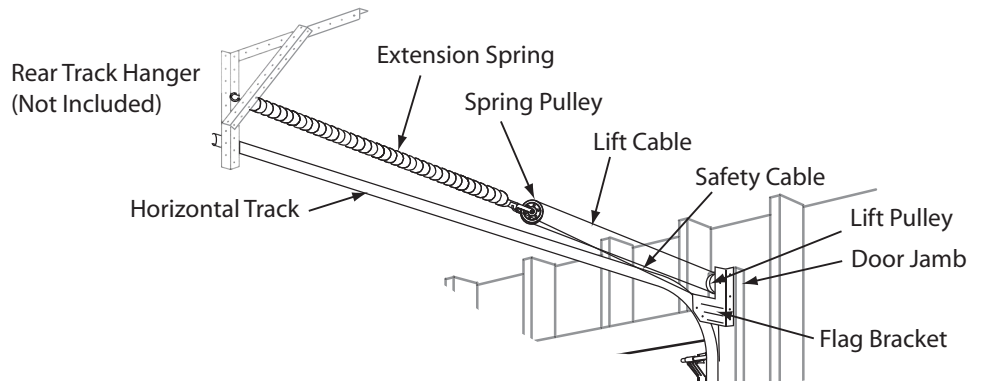
**Intermediate Section**



**Bottom Section**

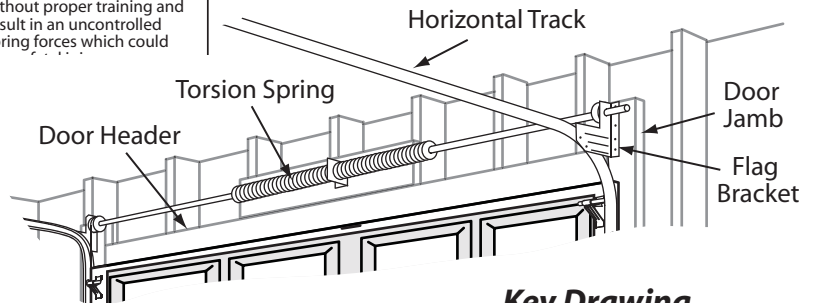


**Key Drawing  
Door Sections**



**Key Drawing  
Extension Spring System**

**⚠ WARNING:** Torsion Springs should only be removed, installed, repaired or adjusted by a trained door system technician. Attempting to remove, install, repair or adjust a Torsion spring assembly without proper training and tools may result in an uncontrolled release of spring forces which could



**Key Drawing  
Torsion Spring System**

## DEFINITIONS OF TERMS USED

**HEADROOM** - Distance from top of door opening to ceiling.

**NOTE:** Door-to-ceiling clearance may be different than "headroom" if door overlaps top of opening.

**SIDEROOM** - Distance from side of door opening to sidewall.

**BACKROOM** - Distance from inside of door opening to rear wall.

**NOTE:** Door-to-rear wall clearance MUST exceed assembled track hardware length.

**HEADER** - A 2 x 6 (or wider) wood assembly across the top of door opening.

**JAMB** - A 2 x 6 (or wider) wood assembly on each side of door opening.

**PLUMB** - A perpendicular from the level floor of structure. Measured with a plumb line.

**CASE** - Attachment of wood 2 x 4's or 2 x 6's around the inside face (header & jambs) of door opening on masonry walls.

**CLINCH SCREW** or **NAIL** - Screw or Nail driven through End Stile into door jambs to temporarily hold door sections in mounting position. See General Note 4, page 4.

**CLEARANCE HOLE** - Hole drilled through material and large enough to allow easy passage of the intended bolt or fastener being used.

**PILOT HOLE** - Pre-drilled hole in material in which a screw is used.???? May be step to obtaining larger hole in thin material.

## PRE-INSTALLATION CHECKS

### Check Headroom/Backroom/Sideroom

**Headroom** is the space needed above the top of the door for the door, the overhead tracks, and the springs, (FIG A). (This dimension may also need to include space for an automatic door operator.)

**Backroom** is the distance measured from the back of the garage door into the garage, (FIG A). (This dimension may also need to include space for an automatic door operator.)

**Sideroom** is the distance measured on each side of the door on the door opening interior wall surface, (FIG A).

### Check Headroom

#### HEADROOM \_\_\_\_\_

Check that there are no obstructions in your garage within the headroom space. Use the track radius measurement (see below) to help you determine the height requirement. The standard headroom space requirement is shown in Table A.

#### NOTE

**Track Radius:** The radius of your track can be determined by measuring the dimension "R" in FIG B. If dimension "R" measures 11" to 12", then you have a 12" radius track. If "R" equals 14" to 15", then you have a 15" radius track, (FIG B).

### Check Backroom

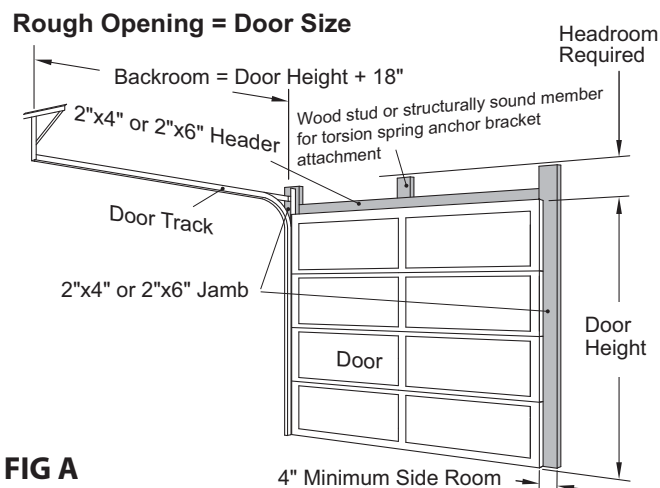
#### BACKROOM \_\_\_\_\_

Measure from the back of the garage door into the garage. The backroom distance should be at least 18" more than the height of the garage door.

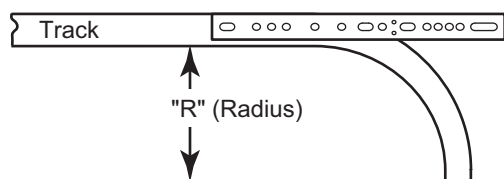
### Check Sideroom

#### SIDEROOM R \_\_\_\_\_ L \_\_\_\_\_

A minimum sideroom of 4" should be available on each side of the garage door on the interior wall surface to allow for attachment of the vertical track assembly.



**FIG A**



**FIG B**

**Table A: Standard Headroom Requirement Chart**

Spring Type	Track Radius	Headroom Required
Extension spring	12"	10"
Extension spring	15"	12"
Torsion spring	12"	12"
Torsion spring	15"	14"



## PRE-INSTALLATION CHECKS (continued)

### Low Headroom Options

If you have restricted headroom, after checking Headroom space, several remedies are available. See Table B for various options.

**NOTE:** Installation of the various Low Headroom Options differs from the installation of a standard headroom door. Read and follow the supplemental instructions included with the hardware of each Low Headroom Option.

**Table B: Low Headroom Options Chart\***

Spring Type	Low Headroom Option	Reduces Required Headroom to:	How can I get this option?
Extension spring	Low Headroom Track	6"	Order Low Headroom Track
Extension spring	Low Headroom Conversion Kit (Modifies Standard Track)	4-1/2"	Available from most <i>Overhead Door</i> Garage Door Dealers
Extension spring	Quick Turn Bracket	8" on 12" Radius Track	Order Quick Turn Bracket Set
Torsion spring	Low Headroom Track (Front Mount Spring)	9-1/2"	Available from and should be installed by trained door system technician only
Torsion spring	Low Headroom Track (Rear Mount Spring)	6"	Available from and should be installed by trained door system technician only

\***NOTE:** About 3" of additional headroom height at the center plus additional backroom is needed to install an *Overhead Door Corporation* automatic garage door opener. Check door opener instructions.

### EXISTING DOOR OPERATOR

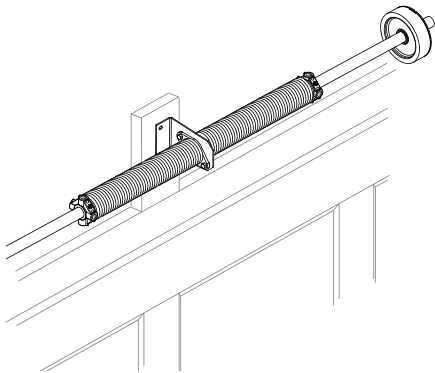
If you have an existing door operator, it was installed to open and close your existing garage door. With your new garage door installation, for optimum door and door operator performance, you may want to consider removing the existing door operator and re-installing it after your new door installation is complete.

### EXISTING GARAGE DOOR

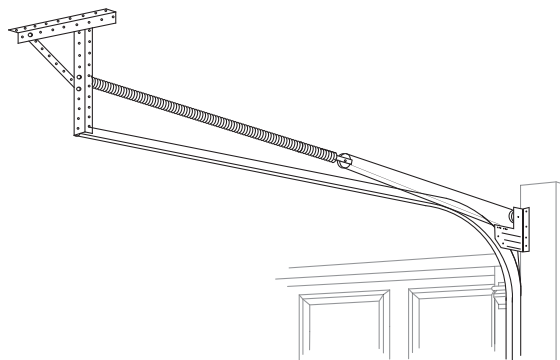
An existing garage door must be safely removed before your new installation can begin. Removing an existing door is explained on pages 8 and 9.

The first and most important step in removing an existing door is to release spring tension which counterbalances the weight of the door. Generally there are two types of springs used to help move the door - "Torsion springs" and "Extension springs". Refer to the Garage Door Overview drawings on page 5 to determine which type of springs are used by your old door. Get help or use support when removing old door and lifting new door into place.

#### Torsion Spring System



#### Extension Spring System



If your present door has Torsion springs - **STOP and contact a trained door system technician for the removal of your door.**

If your present door has Extension springs proceed to **STEP 1 - Remove Extension Door Springs.**

**NOTE:** Dispose of old door and old door hardware properly.

## STEP 1 - Remove Extension Door Springs

**⚠ WARNING: Do NOT attempt to remove or adjust Extension springs with door in the down position. Serious injury could result if spring tension has not been RELEASED before other work begins. Raise the door to release spring tension, and lock the door in place before attempting to remove the door.**

**NOTE:** To avoid injury, keep hands and fingers clear of section joints, track, and other door parts while the door is opening and closing.

The first and most important step in removing an existing door is to release the Extension spring tension AFTER LOCKING THE DOOR IN PLACE.

1. Raise the door to the full open position and place C-clamps or locking pliers tightly on both sides of the track under the door so the door is held securely in place. With the door fully open, most spring tension has been removed, (STEP 1-A).

Clamps/pliers are to keep the door from moving or falling once the springs are removed.

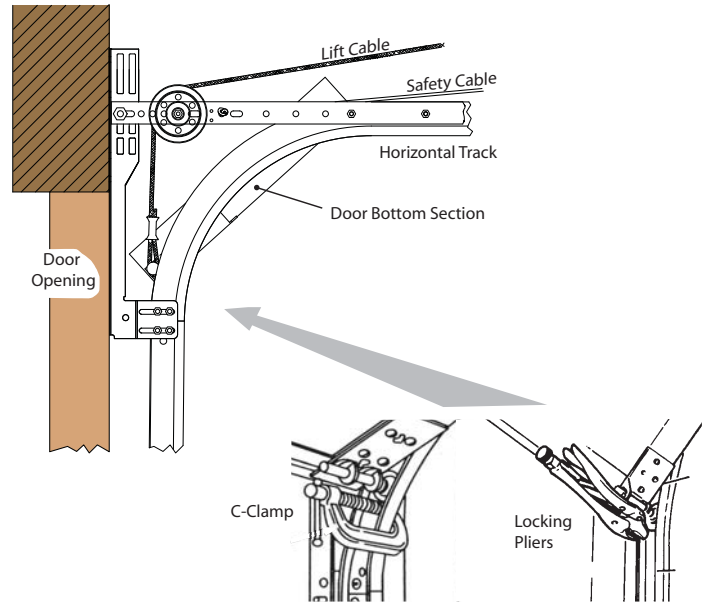
2. Detach the lift cables at both ends. Disassemble and remove the springs and cables completely from the door and track.

**NOTE:** Wood blocks should be placed underneath the door when closing to prevent fingers from being trapped.

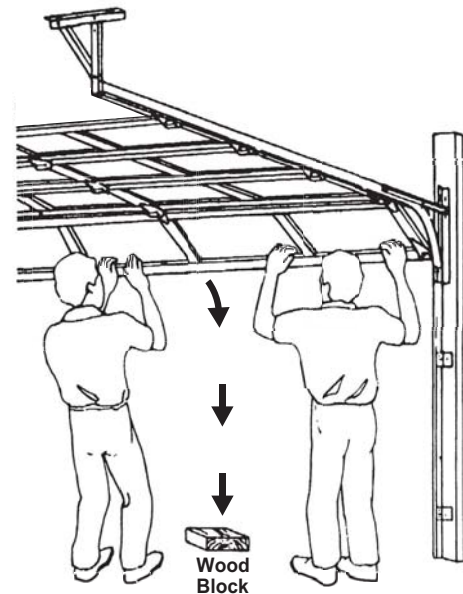
3. Remove the clamps/pliers from the track and carefully close the door.

**⚠ WARNING: Use two or more helpers to assist you in lowering the door.**

**NOTE:** Some large doors might weigh as much as 500 pounds when the spring tension is removed. The weight of the door will not be apparent when you first begin to close the door. The door will feel progressively heavier as it is lowered until its full weight (as much as 500 pounds) is realized about one foot from the floor. A single wide door may weigh as much as 200 pounds, (STEP 1-B).



STEP 1-A



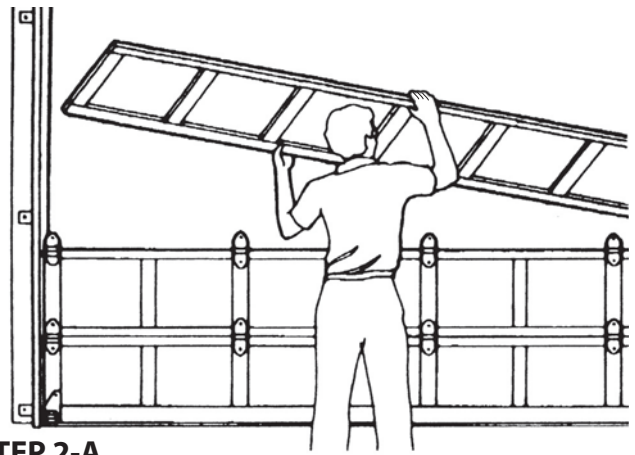
STEP 1-B



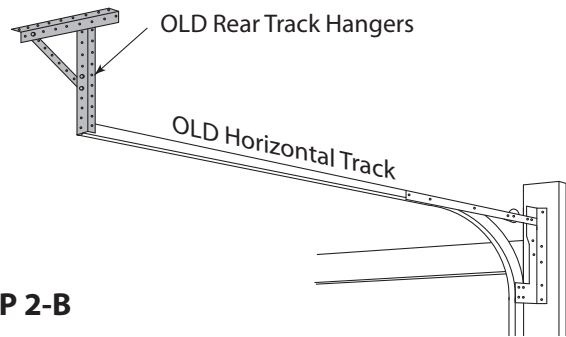
## STEP 2 - Remove Door Sections and Track

**CAUTION:** To avoid installation problems which could result in personal injury or property damage, use only the track specified and supplied with the door. Do NOT attempt to reuse old track.

1. The door can now be disassembled. Starting with the top section, remove the hardware and unstack the sections one at a time (STEP 2-A).
2. After all sections have been removed from the opening, detach all remaining track and hardware from the jambs. The hangers that attach the rear ends of the overhead track to the ceiling (called rear track hangers and not normally provided with a new door) in many cases can be reused on the new door if the hangers are made of a sufficient gauge as required by the weight of the door (STEP 2-B).



STEP 2-A



STEP 2-B

(Looking out from the inside of the garage.)

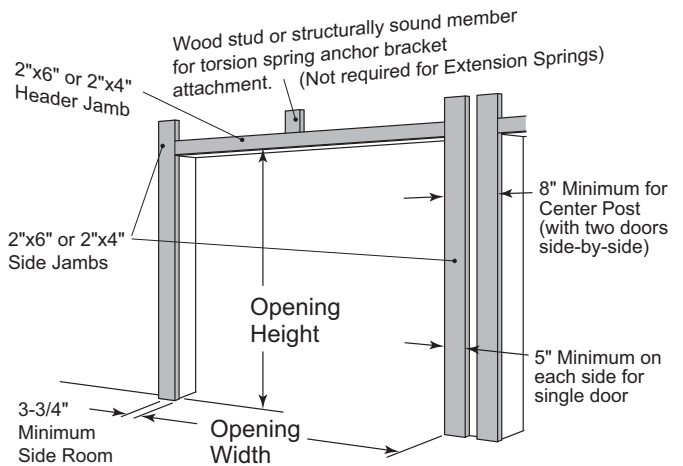
## STEP 3 - Preparing Door Opening

1. On the inside of the garage your opening should be framed with wood jambs, 2" x 6" if possible. The side jambs should extend to approximately the same height as the headroom required. If you have just removed an old door, the jambs should be inspected for the condition of the wood. If the wood is rotten or severely splintered, it should be replaced now. The jambs should be plumb and the header should be level. If there are any bolts fastening the jambs to the wall, the heads should be flush so they don't interfere with the installation of your new door, (STEP 3-A).

**NOTE:** Rough opening (without stop molding) = Door size

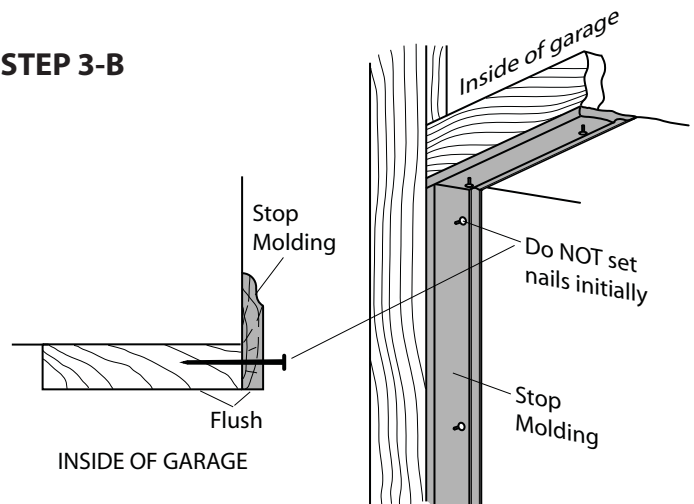
2. Door stop molding (not supplied) is required to correctly install this door. It should be temporarily nailed to the edges of the jambs flush with the inside, (STEP 3-B).

**NOTE:** Stop molding featuring a built-in weather seal is available. Contact your authorized *Overhead Door* dealer for a selection of door stop molding products.



STEP 3-A

STEP 3-B



With these tasks successfully completed you are ready to begin installation of your new garage door.

## PRE-INSTALLATION TASKS




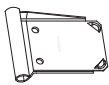


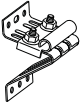
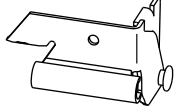
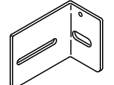
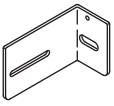
- You have determined which type of spring used for the new installation and ensured that proper procedures and precautions have been taken for the correct installation.
- You have ensured that this installation has the necessary Headroom, Backroom, and Sideroom.
- You have safely removed all door hardware and the door, disposing of them properly.
- You have inspected and, if necessary, made additions/repairs to the door opening framing.
- You have temporarily installed door molding.


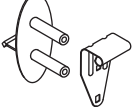

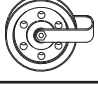

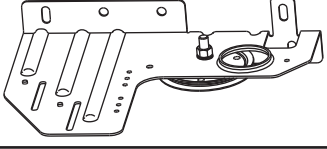
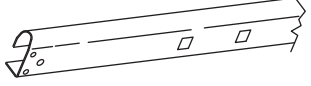
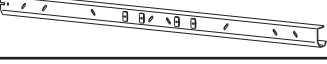


With these tasks completed you are ready to begin the installation of your garage door.

**NOTE:** If the Pre-Installation tasks have NOT been completed, please stop and complete these tasks before continuing.

## HARDWARE COMPONENTS and PARTS LIST

Below is a list of typical parts and components you should find in your door packaging. Because different models and door products will have some variances, you may find parts listed here that are not in your packaging. Some parts listed are optional. If you have questions or concerns that all parts are not present, please contact the company from whom you purchased this unit.


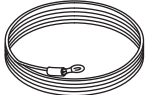


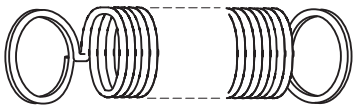




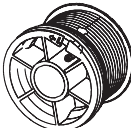
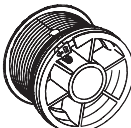
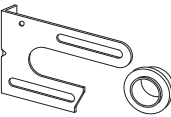
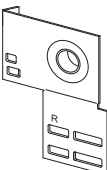


Description	Qty	Illustration
Pinch-resistant Bottom Section	1	
Pinch-resistant Intermediate Section	2 (or more)	
Pinch-resistant Top Section	1	
Roller Holder Bracket PN 409554-2	2	
Roller Holder Bracket PN 409554-3	2	
Roller Holder Bracket PN 409554-4	2	
Top Fixture	2	
Bottom Bracket*	2	
Short Track Bracket	2	
Long Track Bracket	2	

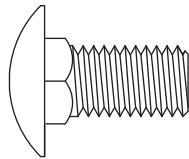
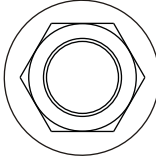

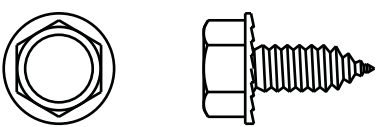
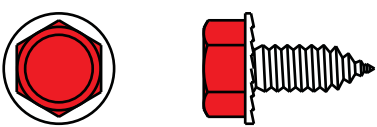

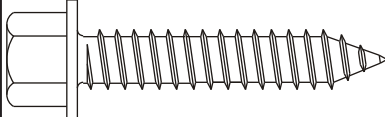
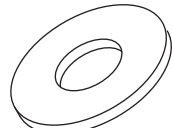


Description	Qty	Illustration
Label Packet	1	
Lift Handle	1	
Pulley, Lift (For Extension springs only)	2	
Pulley, Spring (For Extension springs only)	2	
Eye Bolt w/nut (For Extension springs only)	2	
Flag Bracket	2*	
Vertical Track	2*	
Horizontal Track	2*	
Radius Track	2*	
Leaf Spring Roller	10	

\* These items are Right/Left handed. Be sure to use the correct parts for your assembly.

\*\* Some items may come pre-assembled and will not be available as individual parts.

## HARDWARE COMPONENTS and PARTS LIST *(continued)*

Description	Qty	Illustration
Struts	Various	
Safety Cable Assembly (For Extension springs only)	2	
Door Lift Cable Assembly	2	
Pull Rope	1	
Extension Spring	2	
Torsion Spring**	2*	
Torsion Tube (For Torsion springs only)	1	
Red Winding Cone** (For Torsion springs only)	1	
Black Winding Cone** (For Torsion springs only)	1	
Red Cable Drum (For Torsion springs only)	1	
Black Cable Drum (For Torsion springs only)	1	
Center Bearing Plate & Nylon Bearing (For Torsion springs only)	1	
End Bearing Plate* (For Torsion springs only)	2	
Reinforcing Drawbar	1	
Reinforcing Drawbar	1	

Description	Qty	Illustration
3/8"-18 x 3/4" Long Carriage Bolt	8 (or more)	
3/8" Flange Nut	10 (or more)	
1/4" Flange Nut	14 (or more)	
AB Point Screw 1/4" x 3/4" Hex Head Self-Tapping Screw	138 (or more)	
AB Point Screw 1/4" x 3/4" RED Hex Head Self-Tapping Screw	8 (or more)	
1/4" x 5/8" Track Bolt	14 (or more)	
5/16" x 1-5/8" Lag Bolt	16 (or more)	
3/8" Washer	10 (or more)	
Set Screw	4	
Track Bolt (1/4" x 5/8")	??	

\* These items are Right/Left handed. Be sure to use the right parts for your assembly.

\*\* Some items may come pre-assembled and will not be available as individual parts.

## HARDWARE SCHEDULE

In this section you will find your door and a schedule of how many of which major components you will require for each of the following installation steps.

Door Width*	Sections	Struts	#1 Roller Bracket	#2 Roller Bracket	#3 Roller Bracket	Top Fixture	Bottom Bracket
8', 9', & 10'	Bottom	0	2				1, RH/LH
	Intermediate	0		2			
	Intermediate	0			2		
	Top	0				2	
12', 14', 15', & 16'	Bottom	0	2				1, RH/LH
	Intermediate	0		2			
	Intermediate	0			2		
	Top	1				2	
17', 18', & 20'	Bottom	1	2				1, RH/LH
	Intermediate	0		2			
	Intermediate	1			2		
	Top	1				2	

\* Doors 6' - 6" to 7' - 0" tall have 4 sections; 1 Bottom, 2 Intermediate, and 1 Top. Doors **taller** than 7' - 0" may have **4 or MORE** sections; 1 Bottom, **2 or 3** Intermediate, and 1 Top.

# INSTALLATION

In this section you will prepare door components, perform some sub-assemblies, and install the garage door. Nuts, bolts, and screws should be hand tightened to prevent thread stripping. In some places you will be asked to **drill pilot** or **clearance** holes. (**Pilot holes** are holes in material that will be receiving a screw in a future step. They are typically smaller in diameter than the outside thread diameter of the intended screw. **Clearance holes** are holes in a material which are large enough to allow easy passage through the material of a bolt or other type fastener.)

If you are going to paint your garage door, consider painting at this time. See "Can I Paint My Door" on page 22.

## 1 PREPARE DOOR SECTIONS

1. Identify each of the door sections in their packaging. (You will be working with the Bottom section, first and repeat these steps for each section. Refer to the schedule of hardware to match components to door section.)
2. Set sawhorses or other working platform in place. Cover saw horses with carpet or cloth to avoid scratches on the door section. Allow one support for every 2-3 feet of section length, (FIG 1-A).

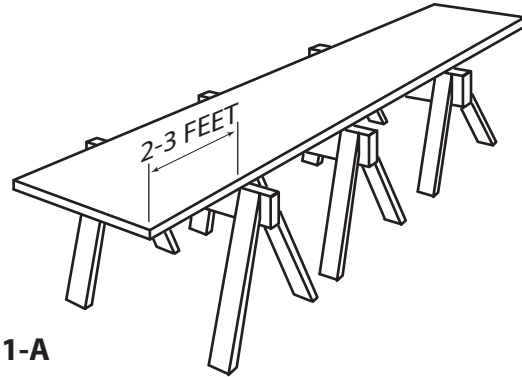


Fig 1-A

**NOTE:** Door sections longer than 16 feet long must be carried vertically (on edge) and must be supported at more than 2 points to prevent damage to sections.

3. Select the Bottom section and place it face down on the sawhorses, (FIG 1-A). You will be attaching roller brackets and Bottom brackets to the Bottom section. On some doors you will also be installing struts on the sections.
4. (**Bottom section only**) Align Bottom Bracket to bottom panel as shown and attach with RED HEAD 1/4-14 x 5/8" self tapping screws. Use 2 screws per bracket (FIG 1-B). Repeat for opposite end.
5. Attach one lift cable to each bottom fixture (FIG 1-C).
6. Place Rollers into the left and right hand bottom fixtures (FIG 1-D).

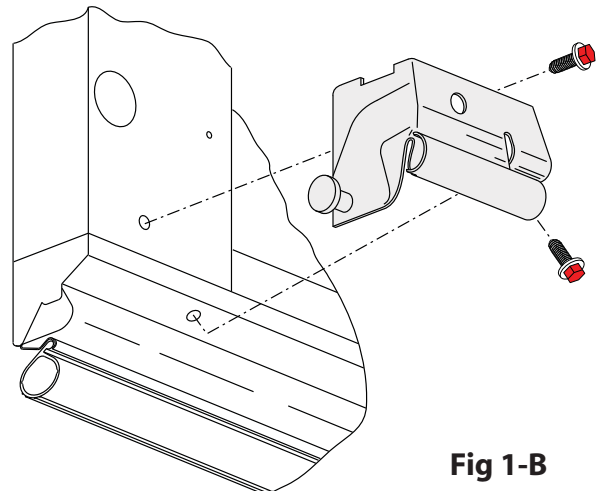


Fig 1-B

**A unique tamper-resistant bottom fixture**

**NOTE:** Pinch leading springs down when inserting rollers into the holders.

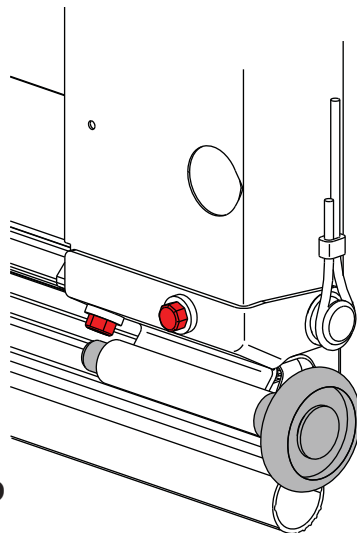


Fig 1-D

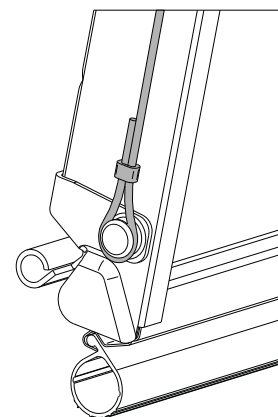
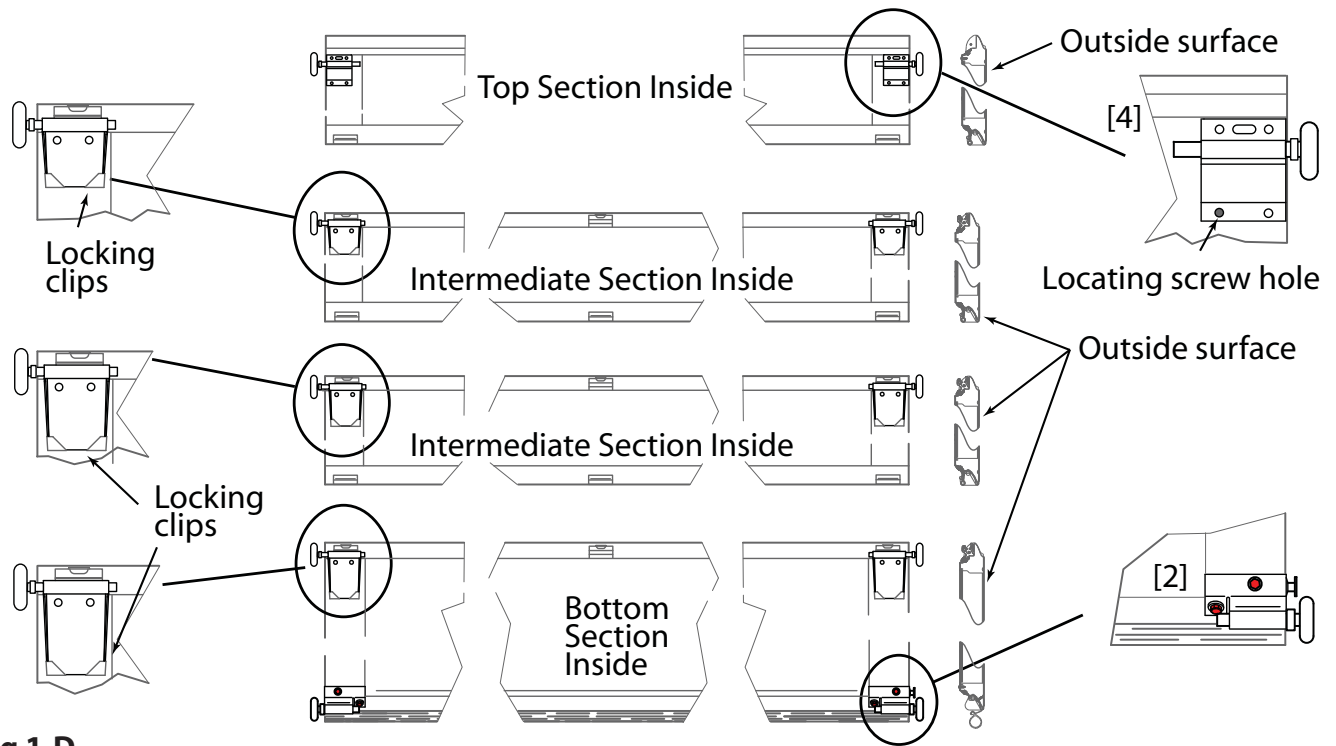


Fig 1-C



**Fig 1-D**

[ ] Indicates the minimum recommended amount of screws to be used with each component.

**PREPARE DOOR SECTIONS (continued)**

7. Select the correct roller brackets from your hardware and install on each section, (FIG 1-E). (Follow the schedule of hardware for door size and bracket size to determine which brackets you will require for each section of your door.)

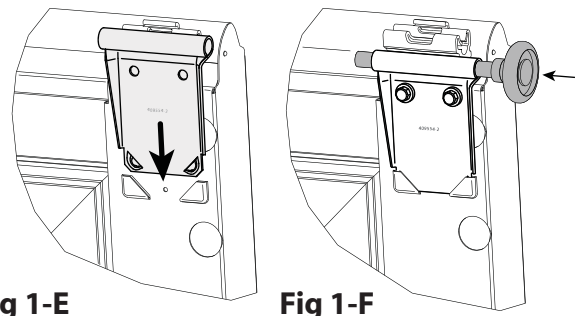
8. Insert rollers in roller brackets, (FIG 1-F).

**NOTE:** Door sections 16 feet or longer must have struts installed to prevent damage to sections.

**NOTE:** A drawbar plate mounted on the garage door is required for installation of a door operator. The drawbar plate should be attached underneath the strut. Refer to REINFORCING THE TOP SECTION FOR OPENER on page ??.

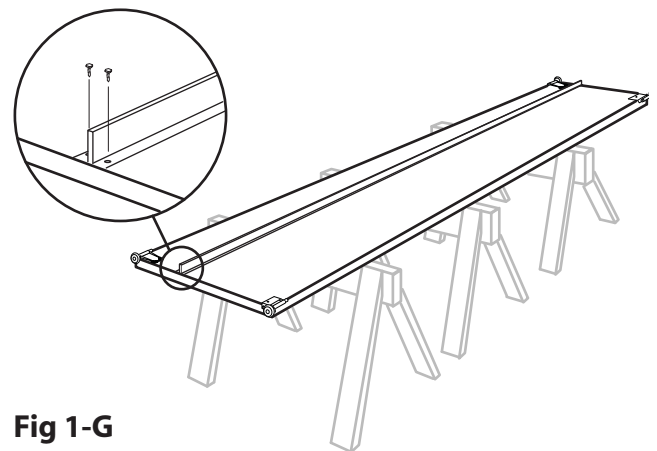
9. (**Sections requiring struts**) Install strut using 2 self tapping screws at center and each end stile, (FIG 1-G). (Follow the schedule of struts for door size to determine placement on each door section. The location of the strut on the section is shown in FIG 1-H. Some door sections may not require struts.)

10. Repeat for each section until all door sections have been pre-assembled.

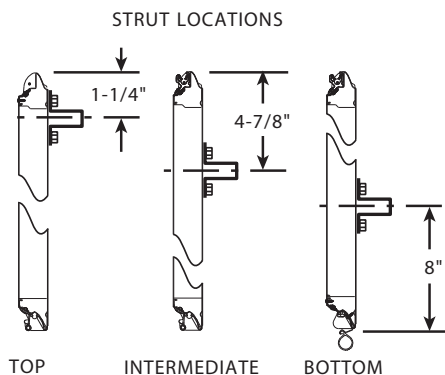


**Fig 1-E**

**Fig 1-F**



**Fig 1-G**



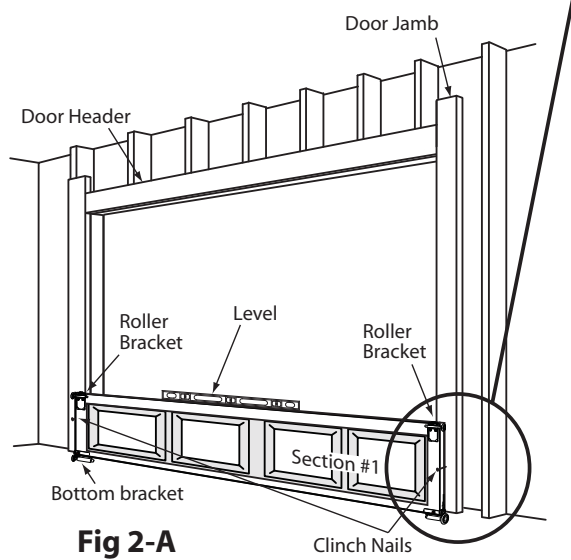
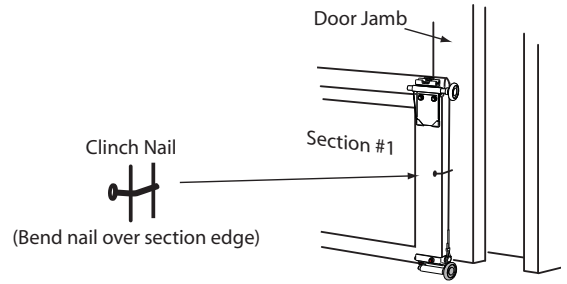
**Fig 1-H**



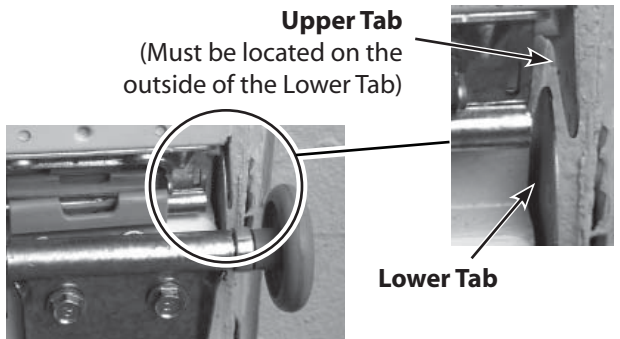
## 2 INSTALL DOOR SECTIONS

**NOTE:** INSTALL DOOR SECTIONS steps may require an additional person to safely lift and place door sections in place.

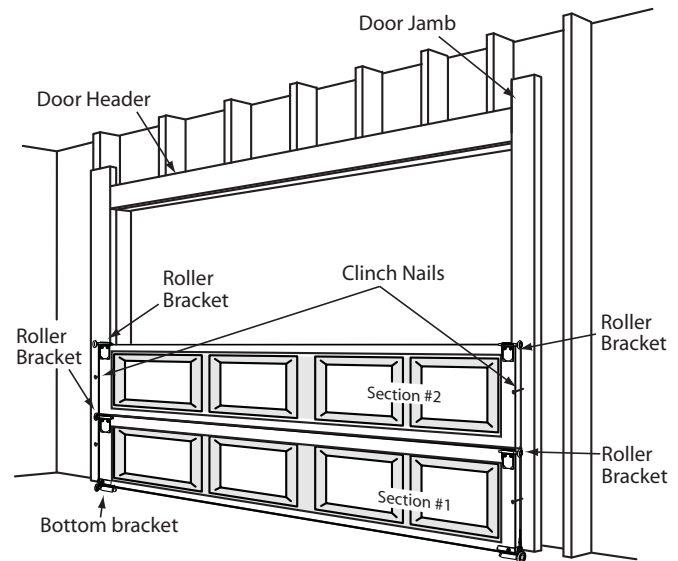
1. Place the Bottom section in the garage door opening so that the outside face is against the stop molding and the section is centered in the opening from side to side. Place a level on the section and check. If necessary, use a piece of wood under either section end to make the section level. Clinch nail this section to jambs using large nails. Bend the nail over the section edge to hold it firmly against jamb, (FIG 2-A). You can also use #8 x 3-1/2" wood screws, (not provided), to anchor the section through its end stile into the jamb.
2. Stack Intermediate section above the Bottom section. Verify that the upper section end stiles are on the outside of the lower section end stiles on each end, (FIG 2-B), and that both the steel upper hinge half and lower Triathlon™ hinges are aligned.
3. Beginning at one end, snap the upper section hinges into the lower section hinges and work your way across till all the hinges are in place, (FIG 2-D). To snap the hinges together, push down on the bottom rail at the end stile or use vise grips. Check hinge connection by rotating the upper section 90° inward and then returning to the vertical position. The section should pivot easily in the hinges.
4. Secure the section and repeat for each section until all door sections have been connected, checked and clinch nailed in place, (FIG 2-C).



**Fig 2-A**



**Fig 2-B**



**Fig 2-C**



**Fig 2-D**

## 2 INSTALL DOOR SECTIONS (Continued)

### REINFORCING THE TOP SECTION FOR OPENER

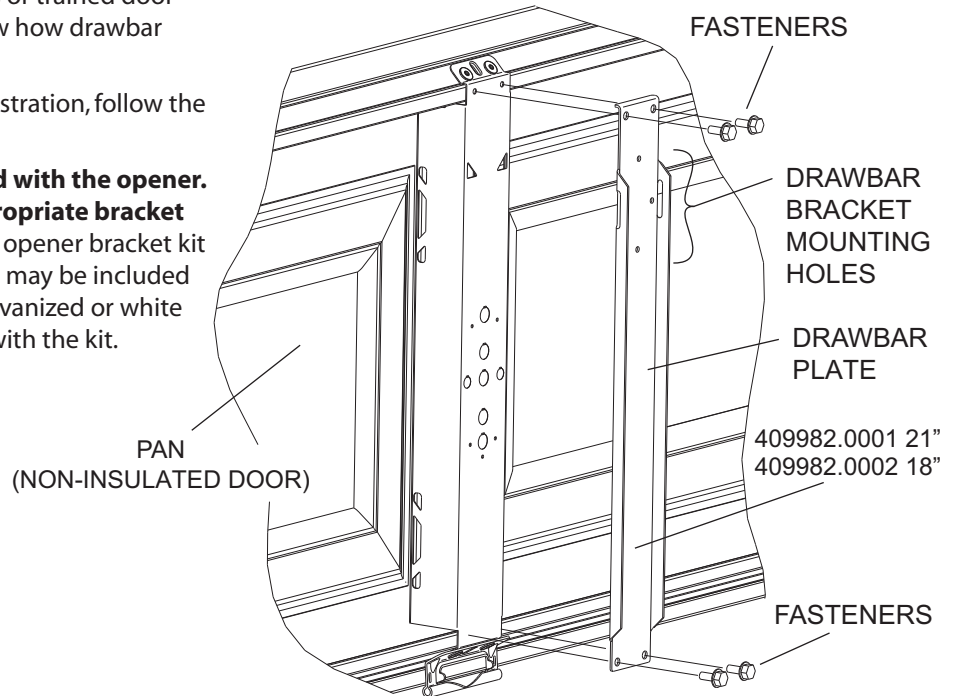
If you choose to install an automatic garage door operator you will need to install a drawbar plate to reinforce the top section of your garage door.

**NOTE:** If your door requires struts, the drawbar plate must be installed before the strut.

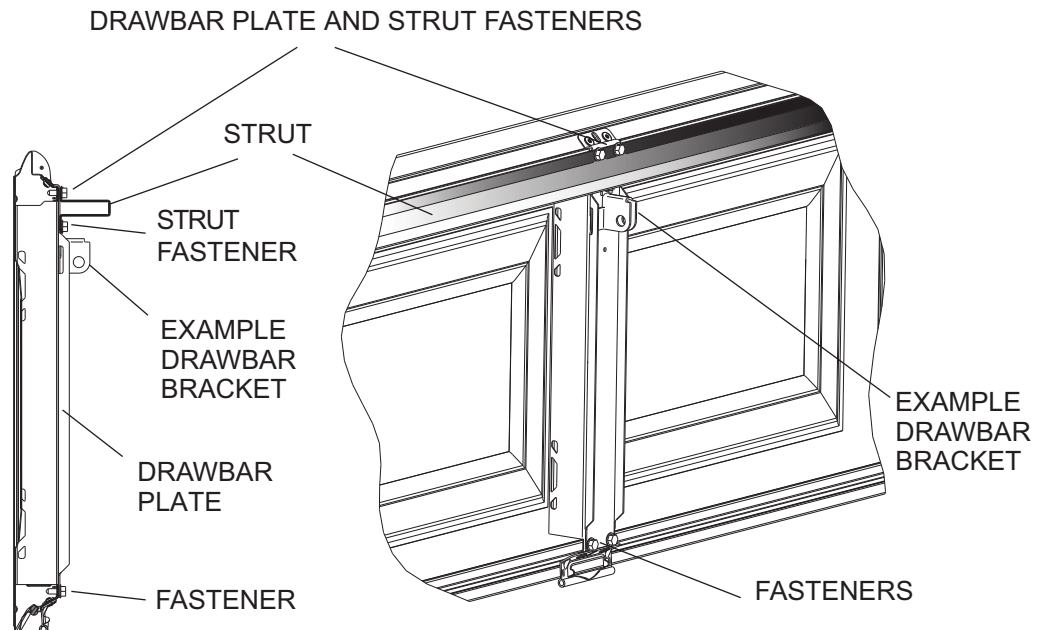
You will need one (1) of these drawbars (designed for your door) from your local *Overhead Door* dealers or trained door system technician. Figures 2-C and 2-D show how drawbar should be mounted.

**NOTE:** Your drawbar may differ from this illustration, follow the instructions provided with your drawbar.

**NOTE: Do NOT install the bracket supplied with the opener. Failure to reinforce the door, with an appropriate bracket for your door, will void your warranty.** An opener bracket kit specifically designed for opener attachment may be included or may be purchased as an option (silver galvanized or white powder coated). Instructions are provided with the kit.



**Fig 2-C (WITHOUT STRUT)**



**Fig 2-C (WITH STRUT)**

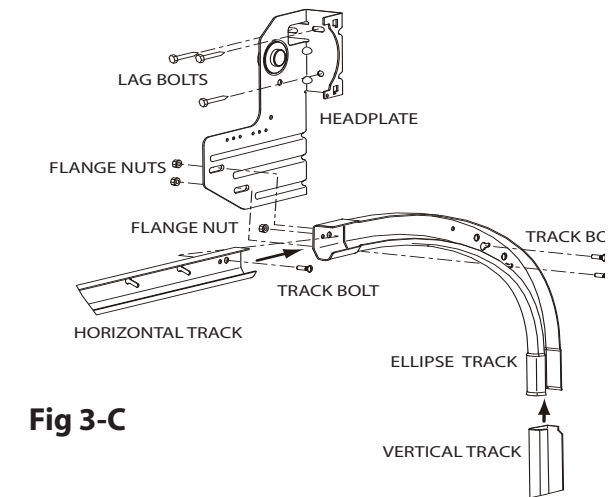
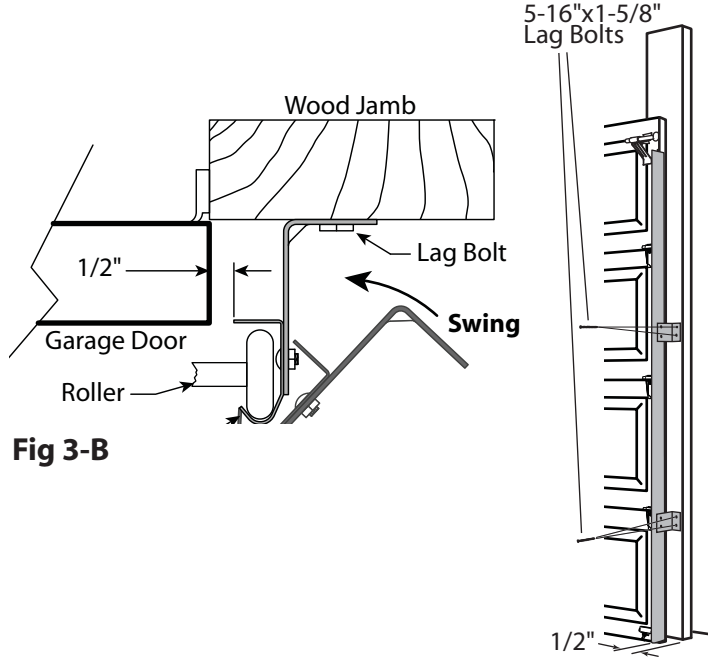
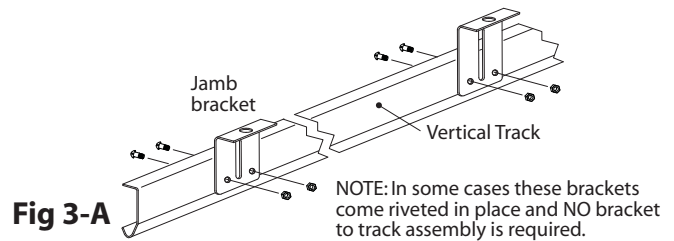
### 3 ASSEMBLE AND INSTALL TRACK

**CAUTION:** To avoid installation problems which could result in personal injury or property damage, use only the track specified and supplied with the door. Do NOT attempt to reuse old track.

**NOTE:** Brackets and components may already be riveted in place.

1. Fasten jamb brackets to vertical track sections. Bolt through from inside of track as shown in the illustration, (FIG 3-A). Short leg of each bracket mounts to the wall. The long leg will vary in length and mount to the track. The smallest bracket attaches at the track bottom, (FIG 3-A).
2. Hook and swing vertical track into position over rollers.
3. Position vertical tracks so that the tops are level with each other and allow 1/2" between door edge and edge of track.
4. Loosely fasten Flag bracket to the radius track section, using 1/4-20 x 5/8" track bolts and 1/4" flange nuts. The bolt head should be inside the track, (FIG 3-B).
5. Lift each vertical track about 1/2" from the floor. Place the bottom end of the radius track over the roller in the top bracket and slide the radius track onto the vertical track top. Loosely fasten the flag bracket to the jamb with 5/16" x 1-5/8" lag screws. Use 3 screws (provided) on each flag bracket, (FIG 3-C). **NOTE:** Screws must be set into wood framing.
6. Temporarily support the rear end of the horizontal track with a rope from the trusses overhead in the garage or on a tall ladder.

Insert the end of the horizontal track into the top of the radius track and attach with a 1/4-20 x 5/8" track bolt and 1/4" flange nut. (If you are installing Low Headroom track refer to the Low Headroom track instructions. The horizontal, radius, and vertical track must join together to form a continuous channel for the rollers which allows the rollers to travel smoothly through the transition.



- Assemble rear track hangers (not provided) at this time. They are used to attach the rear of the horizontal track to the ceiling joist, (FIG 3-E). Use 1-1/4" x 1-1/4" punched angle made of a sufficient gauge as required by the weight of the door. These rear track hangers are **NOT** provided with standard hardware.

Enough angle iron or punched angle and bolts/nuts should be purchased to make two rear track hangers. These hangers must be strong enough to hold the full weight of the door.

**NOTE:** Back hanging nuts & bolts are included in the standard hardware box. These may need to be purchased if not included in your hardware package.

Attach a back hanging bolt (provided) (at least 1" long) through the end of each track to stop the door at the end of its travel in the horizontal track, (FIG 3-E).

Measure diagonals to ensure Horizontal Track alignment, (FIG 3-F). The width at the back end of the Horizontal Track **must** be the same as the width of the Vertical Track at the garage door.

**WARNING:** If horizontal tracks are set too far apart at rear, door may fall from tracks resulting in serious personal injury or death.

- Tighten all bolts, nuts, and screws. Confirm that vertical and horizontal tracks are in place and firmly mounted before advancing to the next section.
- The top door section can now be adjusted at both top fixtures. Loosen the two slide bolts on the top fixture and press the top of the door against the stop molding or door jamb. Pull the roller slide towards you so it is tight against the groove inside the track. Tighten the slide bolts while in this position, (FIG 3-G).
- Remove the nails that were used to hold the door sections in place during assembly.

### MANUALLY OPERATED DOORS ONLY

**NOTE:** If installing an automatic door opener the rope should **NOT** be installed.

- Tie the Pull Rope to the roller shaft of the Bottom bracket, (FIG 3-H).

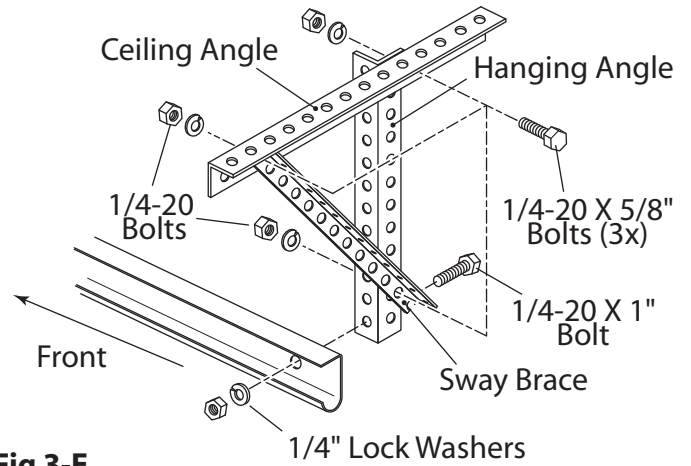


Fig 3-E

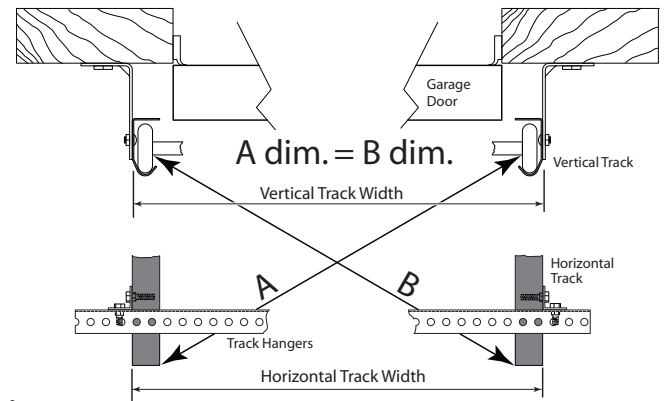


Fig 3-F

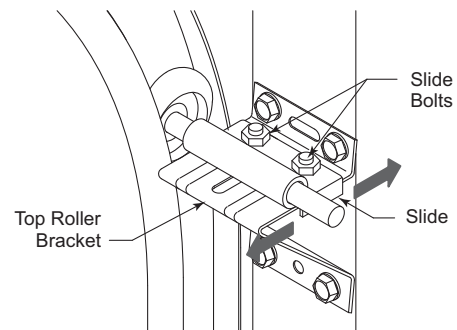


Fig 3-G

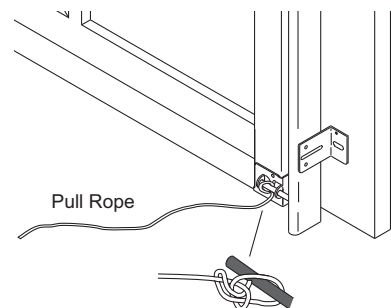
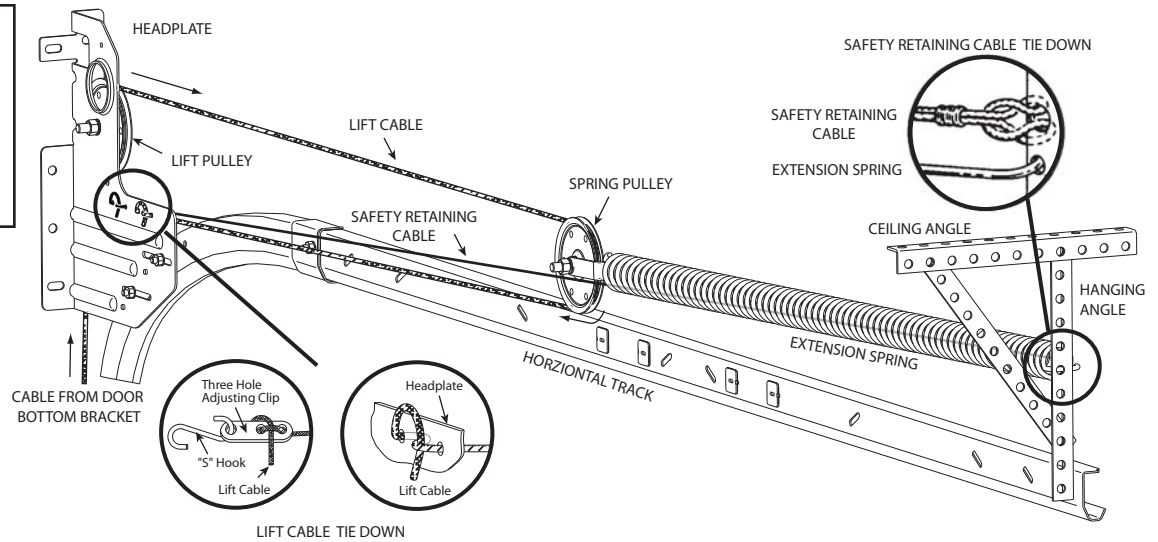


Fig 3-H

**⚠ WARNING**  
**Garage door Extension springs can cause serious injury if they break under tension and are NOT secured with a safety cable.**



**Fig 4-A**

## 4 ASSEMBLE AND INSTALL EXTENSION SPRING

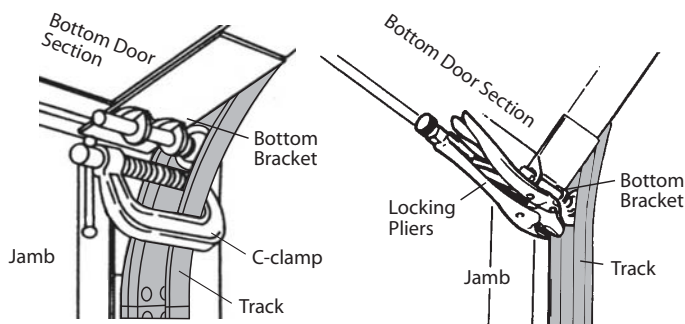
**⚠ WARNING:** To avoid injury, some operations in this section may need more than one person to safely complete. Do NOT attempt to perform any task without proper safety precautions.

This step covers the installation of EXTENSION SPRINGS only. It does NOT discuss the installation of TORSION SPRING(S). If you are using TORSION SPRINGS with your garage door, please contact a trained door system technician for your Torsion Spring installation. If you are qualified to install TORSION SPRINGS for your garage door instructions can be found at: <http://overheaddoor.com/torsionspring.pdf>

**⚠ WARNING:** Door springs installation can be dangerous. Torsion springs must only be installed by a trained door system technician using proper tools and instructions.

**NOTE:** Locate and identify the components for these steps in advance.

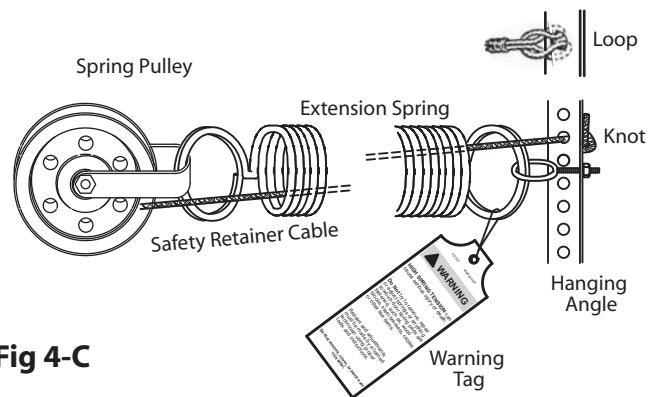
1. Raise door and install locking pliers or C-clamps to the flat portion of the track below the bottom garage door roller to prevent door from accidentally closing, (FIG 4-B).
2. Attach one end of each Extension Spring into each hanging angle using the supplied eye bolts. Install spring pulleys on opposite end of each spring, (FIG 4-C).



**Fig 4-B**

**⚠ WARNING:** Proper installation of Safety Retainer Cables is important. These cables help prevent personal injury or property damage by retaining the broken piece of springs in cases of Extension spring failure.

3. Attach looped or knotted end of Safety Retainer Cables to hanging angles and thread through Extension springs, (FIG 4-C).
4. Attach opposite end of Safety Retainer Cables on horizontal reinforcement angle leaving no slack in the line, (FIG 4-D).
5. Attach Lift Cable Eye to door Bottom bracket and route over lift pulley and around spring pulley. Attach to horizontal reinforcement angle using a secure knot or an "S" hook bracket, (FIG 4-D). Adjust the knot at the three hole adjusting clip. Adjust so that all spring tension is relieved and the cable holds the springs above the horizontal track. The springs should be stretched the same on both sides of the door.



**Fig 4-C**

**NOTE:** Attach the Warning Tag with orange print to the spring assembly. (This tag may already be attached.)



6. Make all adjustments of spring tension by extending or shortening Lift Cable "S" Hook position. Both springs must be adjusted for equal pull so door will not bind.

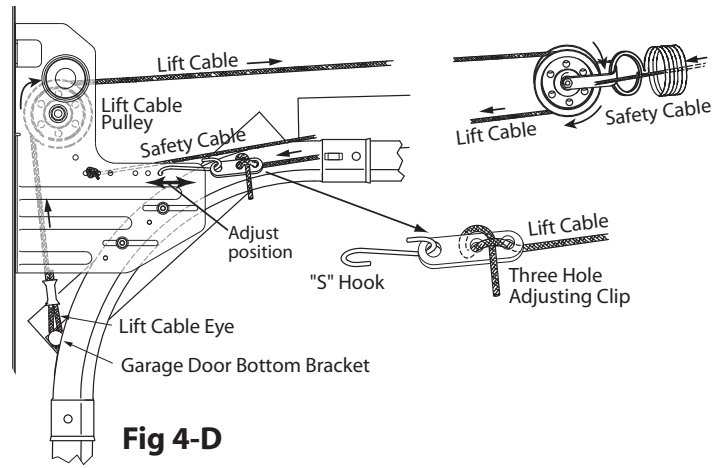
**NOTE: Springs should support door equally on both sides.**

7. Remove C-clamps or locking pliers from tracks.
8. Test door operation. If necessary readjust spring tension by adjusting tension in the lift cable.

Too much spring tension will not allow door to stay on floor when closed. Insufficient spring tension will make door hard to open.

9. Lightly oil hinges and lift cables using 30 wt. oil. Wipe off excess oil.

**NOTE: If door is painted after installation, Extension springs may have to be readjusted to compensate for the added weight. See Step 6 above.**

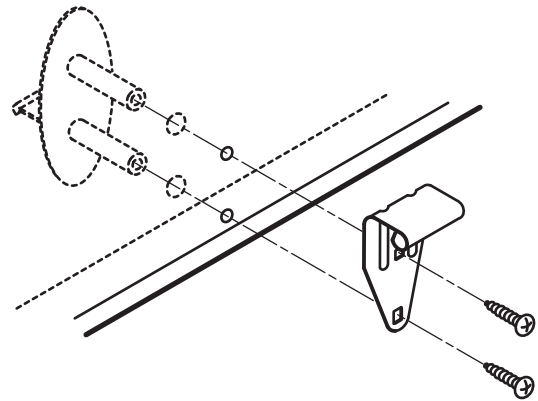


**Fig 4-D**

## LIFT HANDLE INSTALLATION

Install step-lift handles.

1. Align step-lift handle with bottom edge of door (on the inside) so that it is under the lock. Make sure that it is no closer than six (6) inches from the side edge of the door. Before drilling, double check the handle location on the front of the door to ensure correct placement. Drill two (2) 1/4" dia. holes through door using holes in step-lift handle as a guide.
2. Drill two (2) 1/2" dia. holes through inside of door only, using 1/4" holes as pilot.
3. Insert plastic handle through door. Depending on your garage door type, the handle stems may need to be trimmed to fit.
4. Place metal handle over handle stems and insert screws (provided) from inside.



**Fig 4-E**



## 5 ACCESSORIES

### LOCK INSTALLATION (IF INCLUDED)

#### Keyed Lock:

If your door has an exterior keyed lock, complete the installation of the lock following the instructions provided with your lock hardware.

#### Slide Bolt:

1. The inside slide bolt is installed on either side of the end stile of the second section using (4) #14 x 5/8" hex head sheet metal screws, (FIG 5-A).
2. The lock arm of the slide bolt rests inside the rectangular engaging slots in the vertical track. Use the vertical track as an alignment guide to position slide bolt.

**NOTE:** It may be necessary to knock out a slug in the vertical track to open the slot for lock engagement. Remove slug by striking with a hammer from the outside of the track.

**CAUTION:** If your door is going to be equipped with an automatic garage door opener, LOCK SHOULD BE RENDERED INOPERABLE. This will avoid damage to the door and/or opener.

### LOCKROD INSTALLATION (IF INCLUDED)

1. Secure lockrod(s) to lock assembly.
2. Slide guide(s) onto lockrod(s).
3. Position guide(s) on end stiles, (FIG 5-B). If applicable, locate additional guides on center stiles. Align with slots in vertical track.
4. (If required) Drill mounting holes in stile(s) per fastener requirements.
5. Secure guide(s) to stile(s).
6. (If required) Install lock spring. Locate on left hand side on double rod installation.

## 6 FINAL ADJUSTMENTS

1. Secure lockrod(s) to lockcase assembly (if used).
2. With door closed, loosen (center) Long and (bottom) Short Track Bracket track bolts.
3. At bottom of door, push vertical track as far forward (towards jamb) as possible and secure track bolt at Short Track Bracket, (FIG 6-A)
4. Re-secure track bolt at both track brackets.
5. Adjust stop molding against outside face of door, if required, and drive nails flush to surface.
6. Apply Safety Labels per Safety Information Packet instructions, (FIG 6-B).

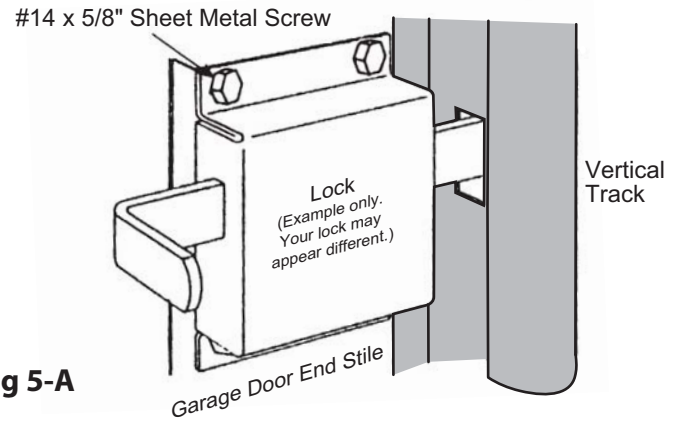


Fig 5-A

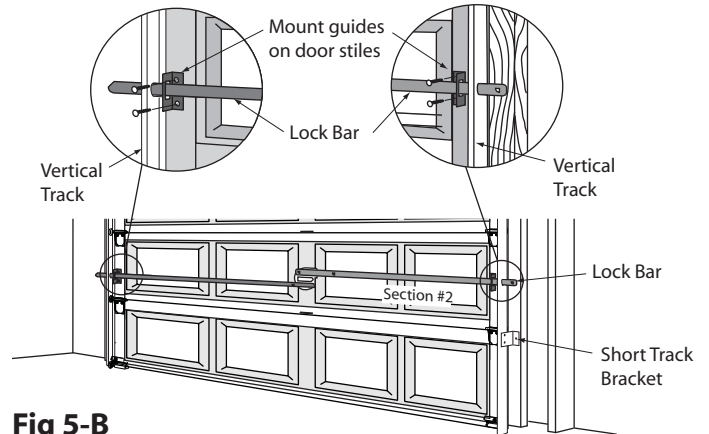


Fig 5-B

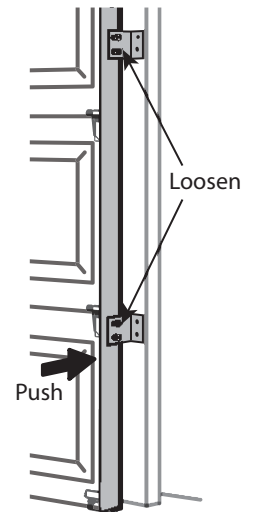


Fig 6-A

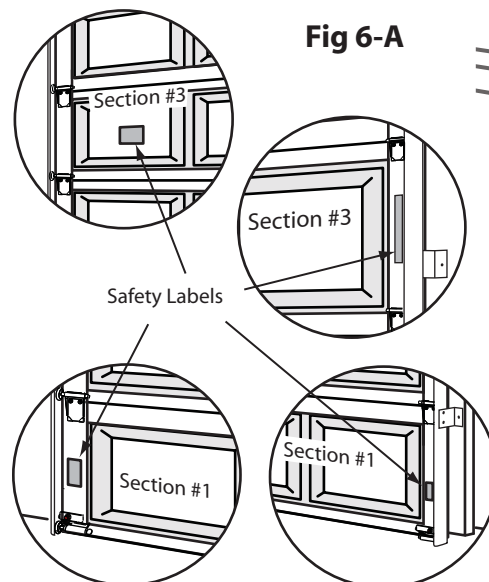


Fig 6-B

## 7 COMPLETION CHECK LIST

- Make sure lift and spring pulleys are attached securely.
- Make sure Extension springs are attached securely.
- Make sure lift and safety cables are attached securely.
- Make sure all clinch nails are removed.
- Make sure all Safety Labels are properly installed.
- Make sure door moves freely from the closed position to the open position. If door will NOT stay open see Section 4 to adjust spring tension. If the door is difficult to move see Section 3 for track and roller adjustment.

### Make sure all fasteners are secure at:

- Bottom and Top Brackets
- All Hinges and Fixtures
- Struts (if installed)
- Lift Handle (if installed)
- Long and Short Track Brackets
- Flag Brackets
- Horizontal Track and Horizontal Reinforcement Angles
- Ceiling Angles, Hanging Angles, and Sway Braces

## OPTIONAL

### CAN I PAINT MY DOOR?

Yes, you can. All *Overhead Door* steel garage doors can be painted with the color of your choice by using exterior acrylic latex paint.

**NOTE:** Painting your door may void the warranty. Consult with The Genie™ Company/ Overhead Door Corporation to determine whether paint application would be appropriate for your door.

**NOTE:** Do NOT use oil based paint. Using oil-based paint will void the warranty on your door.

**CAUTION: Observe all safety practices when using chemicals, cleaners, or solvents! Safety instructions on the container must be followed.**

### CLEANING:

Before painting your door, it must be free of dirt, oils, chalk, waxes, and mildew. Wash the exterior pre-painted surfaces of the door with a mild detergent (Ivory® soap, for example), then allow the door to dry completely. After washing the door, always rinse well with clear water and allow to dry. Apply a "liquid sander/deglosser" to the exterior of the door (available at most hardware stores or home centers) and allow to dry completely.

If the door has been waxed, remove wax before painting. (Note that doors are not waxed during the manufacturing process.) Wax can be removed by wiping door surfaces with a rag saturated with Xylene (Xylol), available at most paint or hardware stores. Follow directions included with product for cleaning metal surfaces and observe all safety precautions. Do **NOT** allow this or other chemicals, cleaners, or solvents to sit on the door surfaces for an extended time. Damage to your door's paint system can occur if over exposed to this or other solvents.

### TEST DOOR BALANCE

DOORS MUST BE PROPERLY BALANCED! Springs should support door equally on both sides

- Start with the door closed.
- If you have a garage door closer, use the release mechanism so you can operate the door by hand when performing the test. Remember to reconnect when test is completed.
- You should be able to lift the door smoothly and with little resistance. Raise door manually approximately 3'- 4' and release.
  - Door should remain stationary or move very slightly.
  - If door moves quickly, review the steps in Section 4, Assemble and Install Extension Spring, or HAVE DOOR SERVICED BY A TRAINED DOOR SYSTEM TECHNICIAN.

**NOTE:** Sanding could remove rust-inhibiting components, therefore, sanding should be done only to damaged areas where bare metal has been exposed. Refer to **PAINT REPAIR**.

### PAINT:

You can paint the exterior of your door with a 100% exterior acrylic (flat, satin, or semi-gloss) latex paint that you have selected.

Since all paints are not created equal, a test spot should be painted, allowed to dry and evaluated prior to painting the entire door. Look for defects in the paint finish, blistering, or peeling. An additional test is to apply masking tape over the painted area and peel back, checking to see if the paint adheres to the door and not to the tape.

After successfully testing the paint, follow the directions on the paint container and observing all safety precautions. Be sure to allow adequate drying time before applying a second coat.

**NOTE:** Do **NOT** apply paint when door surface temperature is different from paint manufacturer's suggested temperature range for proper application.

### PAINT REPAIR:

Should your door's paint finish become damaged, exposing bare metal, it will become necessary to repair the area to prevent rust from forming. The damaged area should be lightly sanded with a medium to fine sandpaper making sure to remove all visible red and white rust. Wipe the area with a clean dry rag. Coat the sanded area with a high quality, rust inhibiting, zinc enriched primer. This type of primer can be found in most paint and hardware stores and should be labeled for covering bare or galvanized steel. Once primer is applied, wait the recommended time specified by the primer instructions before applying your finish paint.

# MAINTENANCE

All hardware, including springs, cables, pulleys, pulley brackets, Bottom brackets, cables, and bearings should be adjusted **ONLY** when the spring tension is released. Contact a trained door system technician for service for Torsion springs or any maintenance work that is beyond your experience or skill set.

1. Lubricate all moving parts of the door with light household oil, including:
  - a) Lift cables at Bottom bracket button,
  - b) Bearings in pulleys,
  - c) Lock hardware where surfaces turn or slide,
  - d) Full length of Torsion Spring to reduce friction between coils,
  - e) Bearings in steel rollers. Do NOT lubricate nylon rollers.

2. Check for loose or bent hinges.
  - a) Tighten loose hinges,
  - b) Straighten or replace bent hinges.
3. Check rollers for broken wheels, bent shafts, or worn out bearings.
4. Check the door, tracks, and track supports for loose or missing hardware. Be careful not to overtighten loose hardware.
5. Check Extension cables. Are they running properly in their pulleys? Is the cable excessively worn? Is the cable eye at the Bottom bracket excessively worn?
6. Check for bent track. Replace if track is bent.


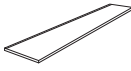
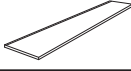

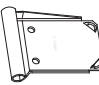


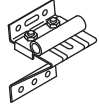
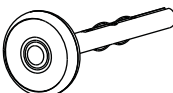
**⚠ WARNING: To replace bent hinge(s) or broken roller(s):**

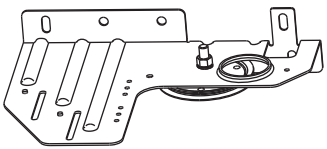
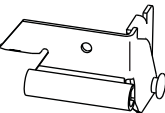
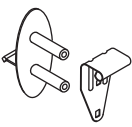

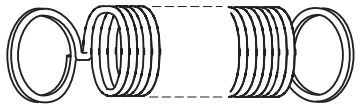
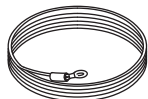
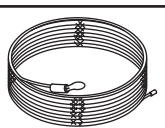
- Door must be in **DOWN (locked) position.**
- No more than one (1) hinge is to be removed from the door at any given time.
- Do NOT loosen or remove the Bottom bracket without **FIRST releasing spring tension;** Loosening or removing fasteners or the bottom bracket may result in an uncontrolled release of spring forces which can cause serious injury or death.

**(For Torsion springs, hinges and or rollers must be replaced by a trained door system technician. For Extension springs, follow the instructions provided in the manual for removing Extension springs.)**

## REPLACEMENT PARTS LIST

Below is a list of typical parts and components you may require to repair or replace during the life of your door. If you have questions or concerns that all parts are not present, please contact the company from whom you purchased this unit.

Description	Qty	Illustration
Bottom Section	1	
Intermediate Section	2 (or more)	
Top Section	1	
Struts	Various	
#1 Hinge	2	
#2 Hinge	2	
#3 Hinge	2	
Top Fixture	2	
Roller	10	

Description	Qty	Illustration
Flag Bracket*	1	
Bottom Bracket*	2	
Lift Handle	1	
Pull Rope	1	
Extension Spring	2	
Safety Cable Assembly (For Extension springs only)	2	
Door Lift Cable Assembly	2	

\* These items are Right/Left handed. Be sure to use the right parts for your assembly.

**NOTE:** Some items may come pre-assembled and will not be available as individual parts.

# REPAIRING DOOR SECTIONS

## 8 Replacing Damaged Door by Section

While door repair can often be performed by individuals without professional training, we recommend that you use a trained door system technician for your door repair. Included here are key drawings referred to in the repair instructions, followed by Top, Intermediate, and Bottom Section Replacement.

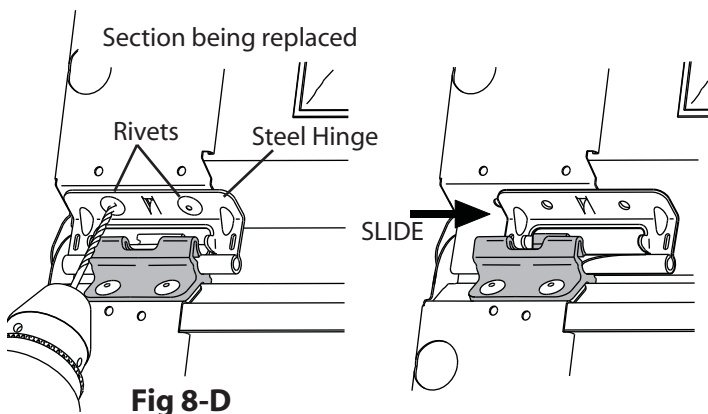
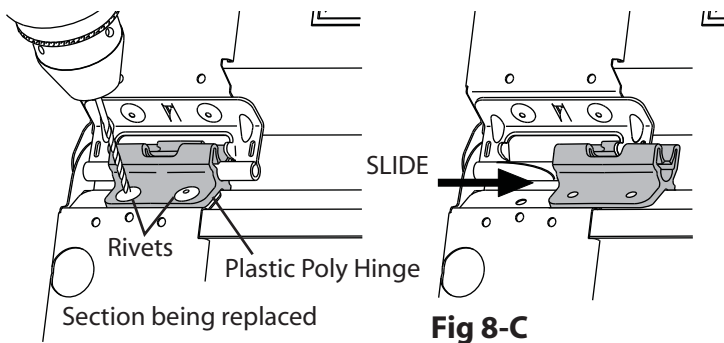
**NOTE:** READ and REVIEW these instructions before beginning any door section replacement. Confirm that all tools and parts are present before beginning.

**NOTE:** You will require the same tools used for an installation. Refer to the Tools Required section on page ??.

**⚠ WARNING: TORSION SPRINGS ARE UNDER HIGH TENSION AND SHOULD BE REMOVED BY A TRAINED DOOR SYSTEM TECHNICIAN.**

**⚠ WARNING: EXTENSION SPRINGS ARE UNDER HIGH TENSION AND SHOULD BE REMOVED VERY CAREFULLY OR BY A TRAINED DOOR SYSTEM TECHNICIAN.**

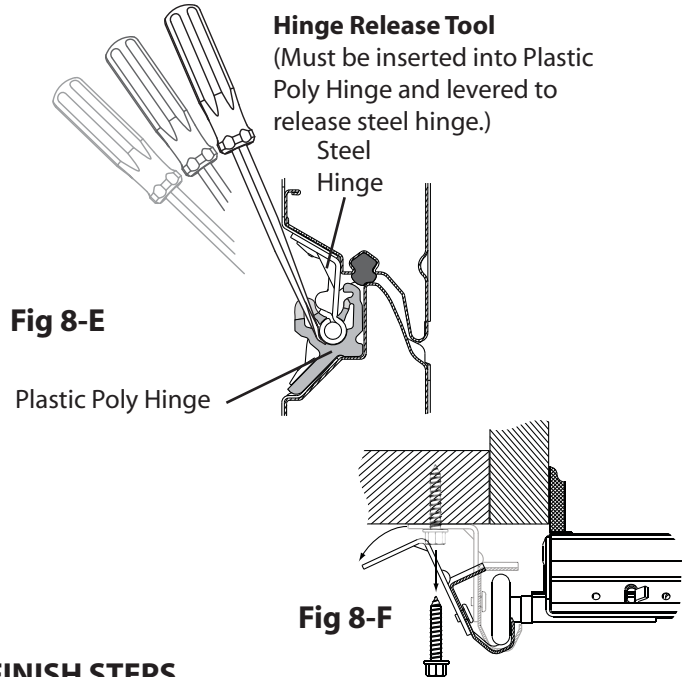
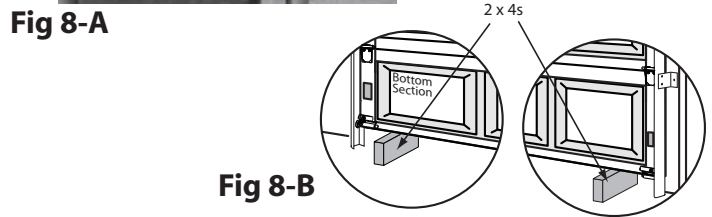
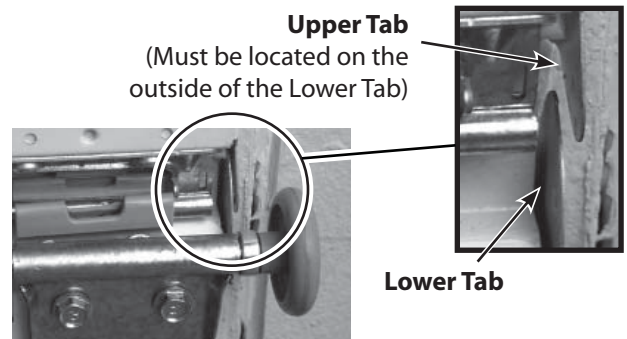
- Put the door in the down or closed position.  
If you are replacing the Bottom or Intermediate Sections, Place two 2x4's vertically on the ground under the bottom end stiles of the door. Then move the door to the down position resting on the top of the 2x4's. See Fig 8-B
- Secure door sections ABOVE the section your are replacing by inserting clinch screws (#8 x 3-1/2" wood screws recommended, not provided) through the end stile into the jamb. See Fig 2-A on page 15. Place vise grips or C-clamps under the rollers to keep the sections from moving down.



- Remove the spring tension from the door.

**⚠ WARNING: SPRINGS ARE UNDER HIGH TENSION.**

- Loosen the Lag Screws for the track Jamb brackets **on ONE side of the door only**. Rotate the vertical track towards the door to pop the roller out of the track. (See Fig 8-F)



### FINISH STEPS

- Remove clinch screws, vise grips or C-clamps.
- Tension the Springs. See ASSEMBLE AND INSTALL EXTENSION SPRING on page 19.

**⚠ WARNING: SPRINGS SHOULD BE INSTALLED BY A TRAINED DOOR SYSTEM TECHNICIAN.**

- Check all connecting points to track, door, and rollers. Move the door up and down through its cycle several times to insure that everything operates properly. Properly dispose of the old door section.



## TOP SECTION REPLACEMENT

5. Separate the connecting hinges in one of two ways;

Using a 3/16" drill bit, drill out the rivets in the Steel hinges attached to the lower side of the top section. See Fig 8-D.

OR

Using a hinge removal tool, insert the tool tip into the Plastic Poly Hinges and lever out the Steel Hinge. See Fig 8-E.

6. Lift the top section up and slide it out of the remaining track. Place Top Section out of the way.
7. If you drilled out the Steel hinges, slide the steel hinges out of the intermediate section poly hinges and discard the Steel hinges. Removal is accomplished by tilting the steel hinge back slightly, then sliding the steel hinge to one side. The tabs on the steel hinge should slide right out if the hinge is aligned properly, see Fig 8-D.

8. Remove Top Fixtures, rollers, strut, and (if present) drawbar from the old top section.
9. Place the new top section on saw horses to attach the appropriate hardware. Install a strut on the section at this time if it is required. See PREPARING DOOR SECTIONS on pages 13 & 14.
10. Position the top section on top of the intermediate section, verify that the upper section end stiles are on the outside of the bottom section end stiles on each end and that all of the hinges are lined-up. See Fig 8-A.
11. Snap the top section hinges into the intermediate section hinges starting at one end and working your way across till all the hinges are in place. See INSTALL DOOR SECTIONS on page 15.
12. Reattach the track and jamb brackets. Adjust both Top Fixtures so that the top section is flush against the jamb and perform FINISH STEPS.

---

## INTERMEDIATE SECTION REPLACEMENT

5. Separate the connecting hinges in one of two ways;

Using a 3/16" drill bit, drill out the rivets ONLY in the hinges of the section to be replaced. See Fig 8-D.

OR

Using a hinge removal tool, insert the tool tip into the Plastic Poly Hinges and lever out the Steel Hinge ONLY for the section to be replaced. See Fig 8-E.

6. Remove the 2x4's from under the bottom section end stiles. Slowly lower to the floor the sections below the section to be replaced.
7. Remove the section from the opening. Remove hardware and (if present) strut from the section. Place section out of the way.
8. If you drilled out the hinges, slide the drilled hinges out of the remaining section hinges and discard drilled hinges. Removal is accomplished by tilting the hinge forward or backward slightly, then sliding the hinge to one side. The tabs on the hinge should slide right out if the hinge is aligned properly, see Fig 8-C.

9. Place the new section on saw horses to attach the appropriate hardware. Install a strut on the section at this time if it is required. See PREPARING DOOR SECTIONS on pages 13 & 14.
10. Position the section on top of the intermediate/bottom section, verify that the upper section end stiles are on the outside of the lower section end stiles on each end and that all of the hinges are lined-up. See Fig 8-A.
11. Raise the lower sections by placing the two 2x4's *horizontally* under the bottom end stiles.
12. Snap the lower section hinges into the upper section hinges starting at one end and working your way across till all the hinges are in place. See INSTALL DOOR SECTIONS on page 15.
13. Reattach the track and jamb brackets. Confirm the bottom section is flush against the jamb.
14. Re-attach the cables to the drums and perform FINISH STEPS.

---

## BOTTOM SECTION REPLACEMENT

5. Separate the connecting hinges in one of two ways;

Using a 3/16" drill bit, drill out the rivets in the Poly hinges attached to the top side of the bottom section. See Fig 8-C.

OR

Using a hinge removal tool, insert the tool tip into the Plastic Poly Hinges and lever out the Steel Hinge. See Fig 8-E.

6. Remove the 2x4's from under the bottom section.
7. Remove the cables from both drums.
8. Remove the Section from the opening. Remove the bottom fixtures and (if present) strut from the section. Place Bottom Section out of the way.
9. If you drilled out the Plastic Poly hinges, slide the poly hinges out of the intermediate section steel hinges and discard the Plastic Poly hinges. Removal is accomplished by tilting the Poly hinge forward slightly, then sliding the Poly hinge to one side. The tabs on the Poly hinge should slide right out if the hinge is aligned properly, see Fig 8-C.

10. Place the new Bottom Section on Saw horses to attach the appropriate hardware. See PREPARE DOOR SECTIONS, page 13 for bottom section pre-assembly.
11. Place the Bottom section in the center of the door opening and attach cables to Bottom Fixtures.
12. Position the Bottom section below the intermediate section, verify that the upper section end stiles are on the outside of the bottom section end stiles on each end and that all of the hinges are lined-up. See Fig 8-A.
13. Raise the Bottom Section by placing the two 2x4's *horizontally* under the bottom end stiles.
14. Snap the Bottom section hinges into the intermediate section hinges starting at one end and working your way across till all the hinges are in place. See INSTALL DOOR SECTIONS on page 15.
15. Reattach the track and jamb brackets. Confirm the bottom section is flush against the jamb.
16. Re-attach the cables to the drums and perform FINISH STEPS.

# THANK YOU

Dear *Overhead Door* Customer,

Thank you for choosing your *Overhead Door* garage door. We realize that selecting a garage door brand may not be as glamorous as some of the other items you choose for your home.

When you think about what a garage door does, it adds to the importance of your selection. The garage door is the most frequently used point of entry in many homes. It's the largest moving object in your home. It's the last line of defense between your possessions and the elements.

We think you've made the right choice with *Overhead Door*. We engineer all of our door products to meet the demands of you and your family with safety, security, reliability, and aesthetics in mind.

If you are considering an electric opener to accompany your new garage door, we hope you will choose a *Overhead Door* product and *Overhead Door* Installing Dealer.

Again, thank you for making *Overhead Door* a part of your home.

Sincerely,

*D. Craig Smith*  
Vice President & General Manager  
*Overhead Door* Sales Centers ??

**The Genuine. The Original.**



## LIMITED WARRANTY

Overhead Door Corporation ("Seller") warrants to the original purchaser of *The Banner Collection*™ residential garage door ("Product"), subject to all of the terms and conditions hereof, that the Product and all components thereof will be free from defects in materials and workmanship for the following period(s) of time, measured from the date of purchase:

- Warranty on deterioration of door sections caused by rust through for a period of ten (10) years [Series 311 and 317], fifteen (15) years [Series 312, 313, 318, and 319], or the Lifetime\* of the Product [Series 333, 339, 351 and 359]
  - One (1) year on all other parts and components
- \*Note: "Lifetime" shall mean as long as the original purchaser owns the Product

Seller's obligation under this warranty is specifically limited to repairing or replacing, at its option, any part which is determined by Seller to be defective during the applicable warranty period. Any labor charges are excluded and will be the responsibility of the purchaser.

This warranty gives you specific legal rights, and you may also have other rights which vary from state to state. This warranty is made to the original purchaser of the Product only, and is not transferable or assignable. This warranty applies only to Product installed in a residential or other non-commercial application. It does not cover any Product installed in commercial or industrial building applications. This warranty does not apply to any unauthorized or improper installation, alteration or repair of the Product, or to any Product or component which has been damaged or deteriorated due to misuse, neglect, accident, improper painting, failure to adequately brace the Product for garage door opener attachment, failure to provide necessary maintenance, normal wear and tear, or acts of God or any other cause beyond the reasonable control of Seller.

ALL EXPRESS AND IMPLIED WARRANTIES FOR THE PRODUCT, INCLUDING BUT NOT LIMITED TO ANY IMPLIED WARRANTIES OF MERCHANTABILITY AND FITNESS FOR A PARTICULAR PURPOSE, ARE LIMITED IN TIME TO THE APPLICABLE WARRANTY PERIOD REFLECTED ABOVE. NO WARRANTIES, WHETHER EXPRESS OR IMPLIED, WILL APPLY AFTER THE LIMITED WARRANTY PERIOD HAS EXPIRED. Some states do not allow limitations on how long an implied warranty lasts, so the above limitation may not apply to you.

IN NO EVENT SHALL OVERHEAD DOOR CORPORATION BE RESPONSIBLE FOR, OR LIABLE TO ANYONE FOR, SPECIAL, INDIRECT, COLLATERAL, PUNITIVE, INCIDENTAL OR CONSEQUENTIAL DAMAGES, even if Overhead Door Corporation has been advised of the possibility of such damages. Such excluded damages include, but are not limited to, loss of use, cost of any substitute product, or other similar indirect financial loss. Some states do not allow the exclusion or limitation of incidental or consequential damages, so the above limitation or exclusion may not apply to you.

Claims under this warranty must be made in writing to the Seller promptly after discovery, within the applicable warranty period, and sent by mail at Overhead Door Corporation, Attention: Overhead Door Customer Service, 2501 South State Highway 121, Suite 200, Lewisville, Texas 75067. The purchaser must allow Seller a reasonable opportunity to inspect any Product claimed to be defective prior to removal or any alteration of its condition. Proof of the purchase and/or installation date, and identification as the original purchaser, may be required.

There are no established informal dispute resolution procedures of the type described in the Magnuson-Moss Warranty Act.

DATE PURCHASED: \_\_\_\_\_

DOOR MODEL: \_\_\_\_\_

DEALER NAME: \_\_\_\_\_

DEALER ADDRESS: \_\_\_\_\_

\_\_\_\_\_